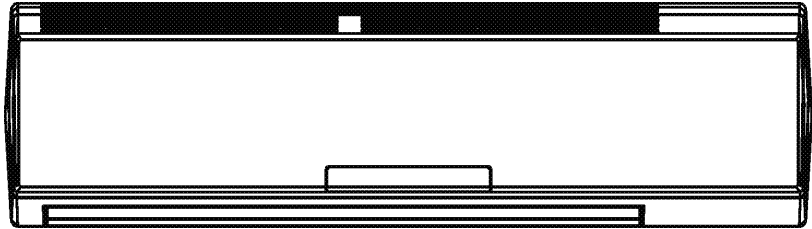


GMX16/18***HWE Indoor Mini-Splits

GMX160122HWE
GMX160182HWE
GMX160242HWE
GMX16092HWE
GMX180362HWE



To order parts contact:
Doral Branch #274
8925 NW 27th St.
Miami, FL 33172

This manual is to be used by qualified technicians only.

Important Information

Index

Functional Parts List	3
Illustration and Parts	4 - 13

Views shown are for parts illustrations only, not servicing procedures

Goodman GREE models for Latin America

Text Codes:

AR - As Required

NA - Not Available

NS - Not Shown

00000000 - See Note

QTY - Quantity Example (QTY 3) (If Quantity not shown, Quantity = 1)

M - Model Example (M1) (If M Code not shown, then part is used on all Models)

Expanded Model Nomenclature:

Example M1 - Model#1 M2 - Model#2 M3 - Model#3

Goodman Manufacturing Company, L.P. is not responsible for personal injury or property damage resulting from improper service. Review all service information before beginning repairs.

Warranty service must be performed by an authorized technician, using authorized factory parts. If service is required after the warranty expires, Goodman Manufacturing Company, L.P. also recommends contacting an authorized technician and using authorized factory parts.

Goodman Manufacturing Company, L.P. reserves the right to discontinue, or change at any time, specifications or designs without notice or without incurring obligations.

For assistance within the U.S.A. contact:
Homeowner Support
Goodman Manufacturing Company, L.P.
19001 Kermier Road
Waller, Texas 77484
877-254-4729-Telephone
713-863-2382-Facsimile

For assistance outside the U.S.A. contact:
International Division
Goodman Manufacturing Company, L.P.
19001 Kermier Road
Waller, Texas 77484
713-861-2500-Telephone
713-863-2382-Facsimile

**To order parts contact:
Doral Branch #274
8925 NW 27th St.
Miami, FL 33172**

Functional Parts

Part

No: **Description:**

150121073	Fan Motor (M5)
1501214501	Fan Motor (M3)
1501214503	Fan Motor (M2)
1501214604	Fan Motor (M1)
1501208905	Fan Motor (M4)
30138000655	Main Board (M1)
30138945	Main Board (M5)
30138000661	Main Board (M3)
30138000660	Main Board (M4)
30138000657	Main Board (M2)
1521240212	Stepping Motor (M3)
1521240212	Stepping Motor (M2)
1521212901	Stepping Motor (M4)
1521210710	SteppingMotor (M1)
1521210701	SteppingMotor (M5)
390000451	Temperature Sensor (M5)
390000591	Temperature Sensor (M5)
3900031302	Temperature Sensor (M3)
42011233	Terminal Board
43110258	Transformer (M5)

Expanded Model Nomenclature

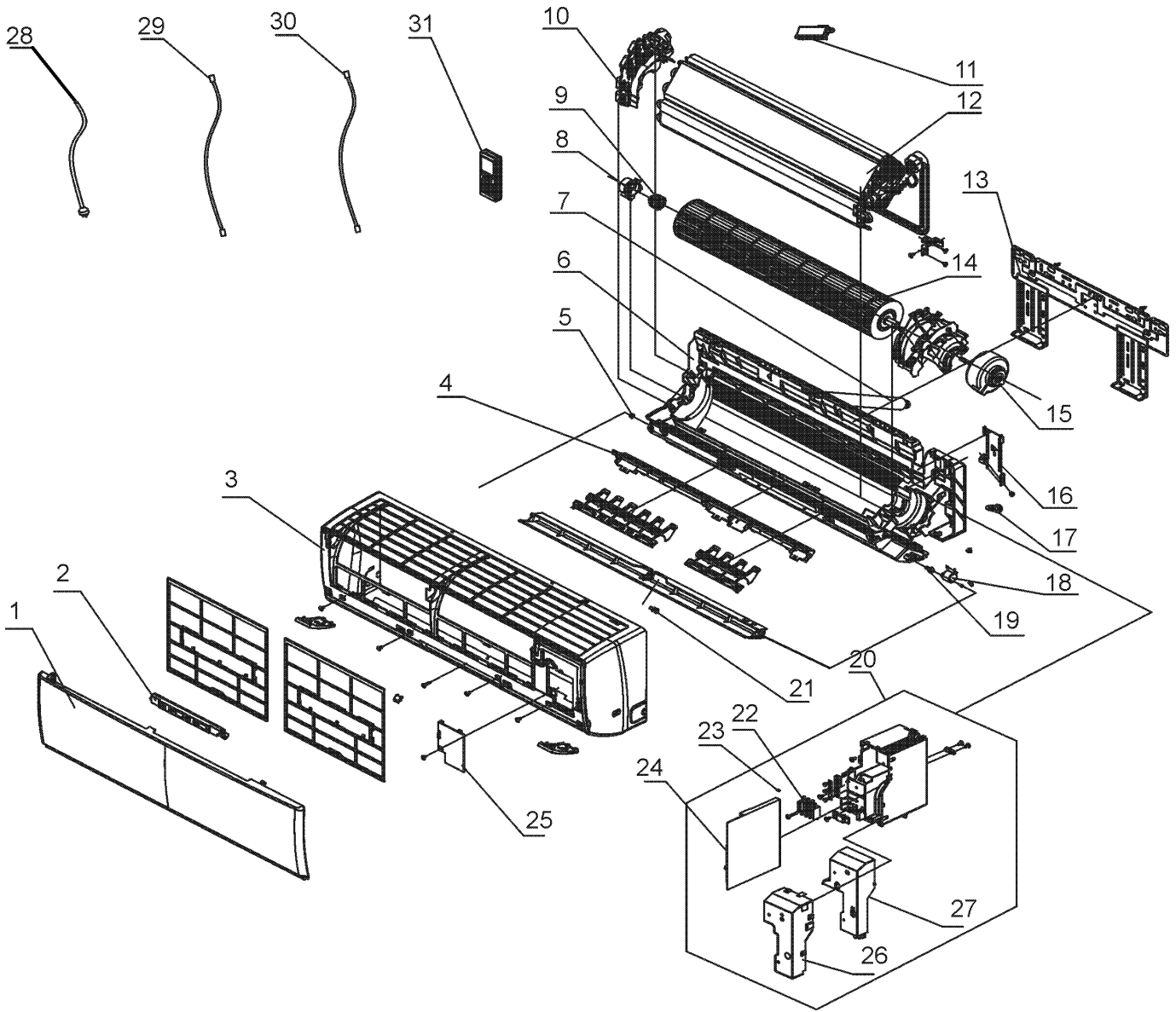
M1 - GMX160122HWE
M2 - GMX160182HWE
M3 - GMX160242HWE
M4 - GMX16092HWE
M5 - GMX180362HWE

To order parts contact:
Doral Branch #274
8925 NW 27th St.
Miami, FL 33172

GMX16092HWE

GMX16092HWE

To order parts contact:
Doral Branch #274
8925 NW 27th St.
Miami, FL 33172



GMX16092HWE

Ref. Part No:	No:	Description:	Ref. Part No:	No:	Description:
Image 1:					
1	*300172	Front Panel Assy (M4) * Last digits of part number _L74327			
2	30565263	Display Board (M4)			
3	00000200119	Front Case Assy (M4)			
4	26112508	Helicoid Tongue (M4)			
5	10512037	Left Axile Bush (M4)			
6	00000100066	Rear Case assy (M4)			
7	0523001408	Drainage Hose (M4)			
8	26152022	Ring of Bearing (M4)			
9	7651205102	O-Gasket sub-assy of Bearing (M4)			
10	24212180	Evaporator Support (M4)			
11	NA	COLD PLASMA GENERATOR (M4)			
12	0100200004407	Evaporator Assy (M4)			
13	01252043	Wall Mounting Frame (M4)			
14	10352059	Cross Flow Fan (M4)			
15	1501208905	Fan Motor (M4)			
16	2611216401	Connecting pipe clamp (M4)			
17	76712012	Rubber Plug (Water Tray) (M4)			
18	1521212901	Stepping Motor (M4)			
19	73012005	Crank (M4)			
20	*10000204238	Electric Box Assy (M4) * Last digits of part number _L74327			
21	10542036	Axile Bush (M4)			
22	42011233	Terminal Board (M4)			
23	4202021903	Jumper (M4)			
24	30138000660	Main Board (M4)			
25	0140206501	Electric Box Cover Sub-Assy (M4)			
26	01592150	Shield Cover of Electric Box Cover (M4)			
27	2011220701	Electric Box Cover (M4)			
28	NA	POWER CORD (M4)			
29	4002052316	Connecting Cable (M4)			
30	NA	CONNECTING CABLE (M4)			
31	*30510474	Remote Controller (M4) * Last digits of part number _L74327			

Expanded Model Nomenclature

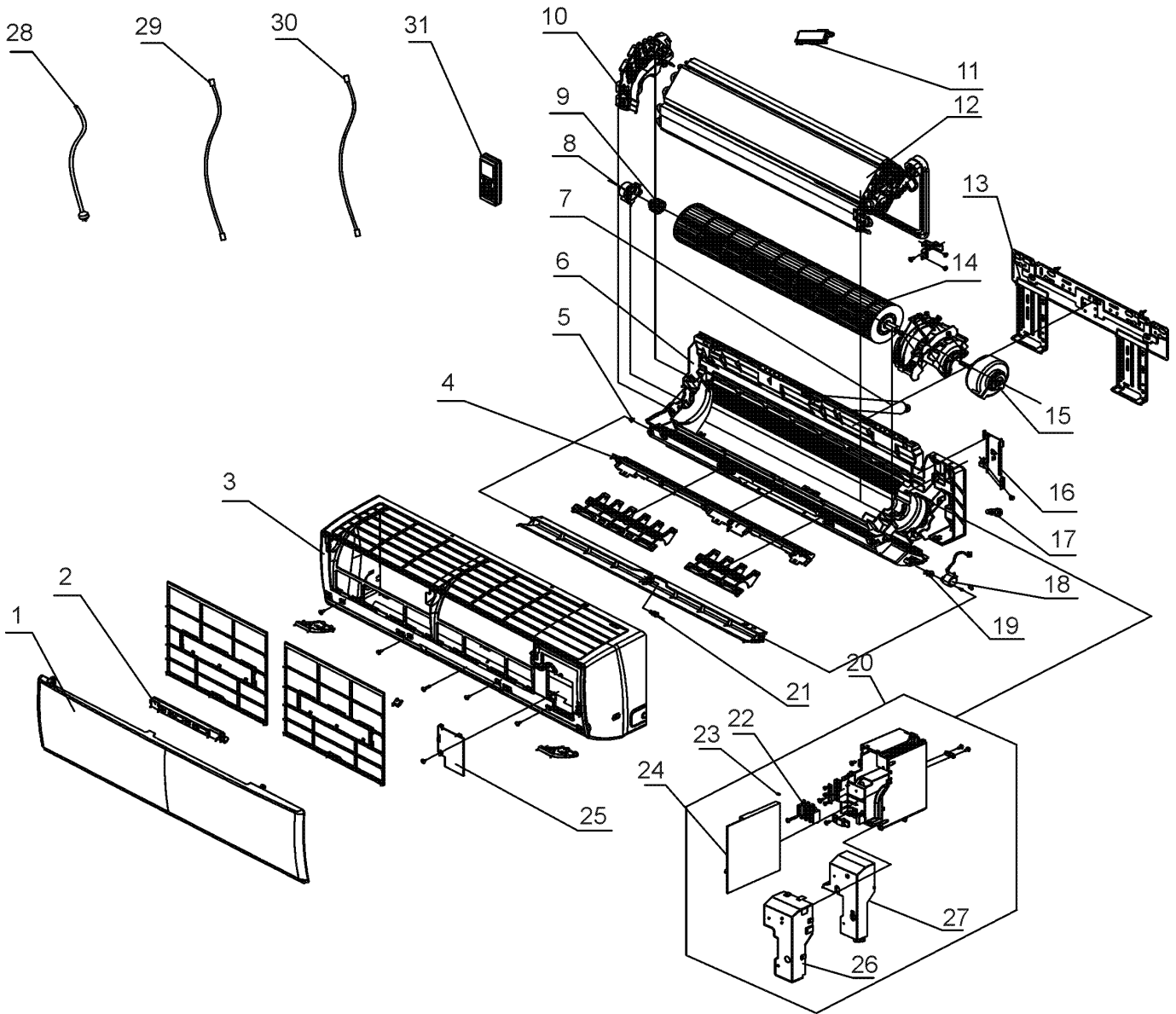
M1 - GMX160122HWE
M2 - GMX160182HWE
M3 - GMX160242HWE
M4 - GMX16092HWE
M5 - GMX180362HWE

To order parts contact:
Doral Branch #274
8925 NW 27th St.
Miami, FL 33172

GMX160122HWE

GMX160122HWE

To order parts contact:
Doral Branch #274
8925 NW 27th St.
Miami, FL 33172



GMX160122HWE

Ref. Part No:	No:	Description:	Ref. Part No:	No:	Description:
---------------	-----	--------------	---------------	-----	--------------

Image 1:

1	*2002269201	Front Panel Assy (M1) * Last digits of part number _L74327
2	30565263	Display Board (M1)
3	2002278301	Front Case Assy (M1)
4	2611243601	Helicoid Tongue (M1)
5	1051203702	Left Axile Bush (M1)
6	0000010009301	Rear Case assy (M1)
7	05230014	Drainage Hose (M1)
8	26152022	Ring of Bearing (M1)
9	7651205102	O-Gasket sub-assy of Bearing (M1)
10	24212179	Evaporator support (M1)
11	NA	COLD PLASMA GENERATOR (M1)
12	0100297601	Evaporator Assy (M1)
13	01252484	Wall Mounting Frame (M1)
14	10352056	Cross Flow Fan (M1)
15	1501214604	Fan Motor (M1)
16	2611216403	Connecting pipe clamp (M1)
17	76712012	Rubber Plug (Water Tray) (M1)
18	1521210710	SteppingMotor (M1)
19	7301200502	Crank (M1)
20	*10000204246	Electric Box Assy (M1) * Last digits of part number _L74327
21	1054203601	Axile Bush (M1)
22	42011233	Terminal Board (M1)
23	4202021906	Jumper (M1)
24	30138000655	Main Board (M1)
25	0140206501	Electric Box Cover Sub-Assy (M1)
26	01592150	Shield Cover of Electric Box Cover (M1)
27	2011220701	Electric Box Cover (M1)
28	NA	POWER CORD (M1)
29	4002052316	Connecting Cable (M1)
30	NA	CONNECTING CABLE (M1)
31	*30510474	Remote Controller (M1) * Last digits of part number _L74327

Expanded Model Nomenclature

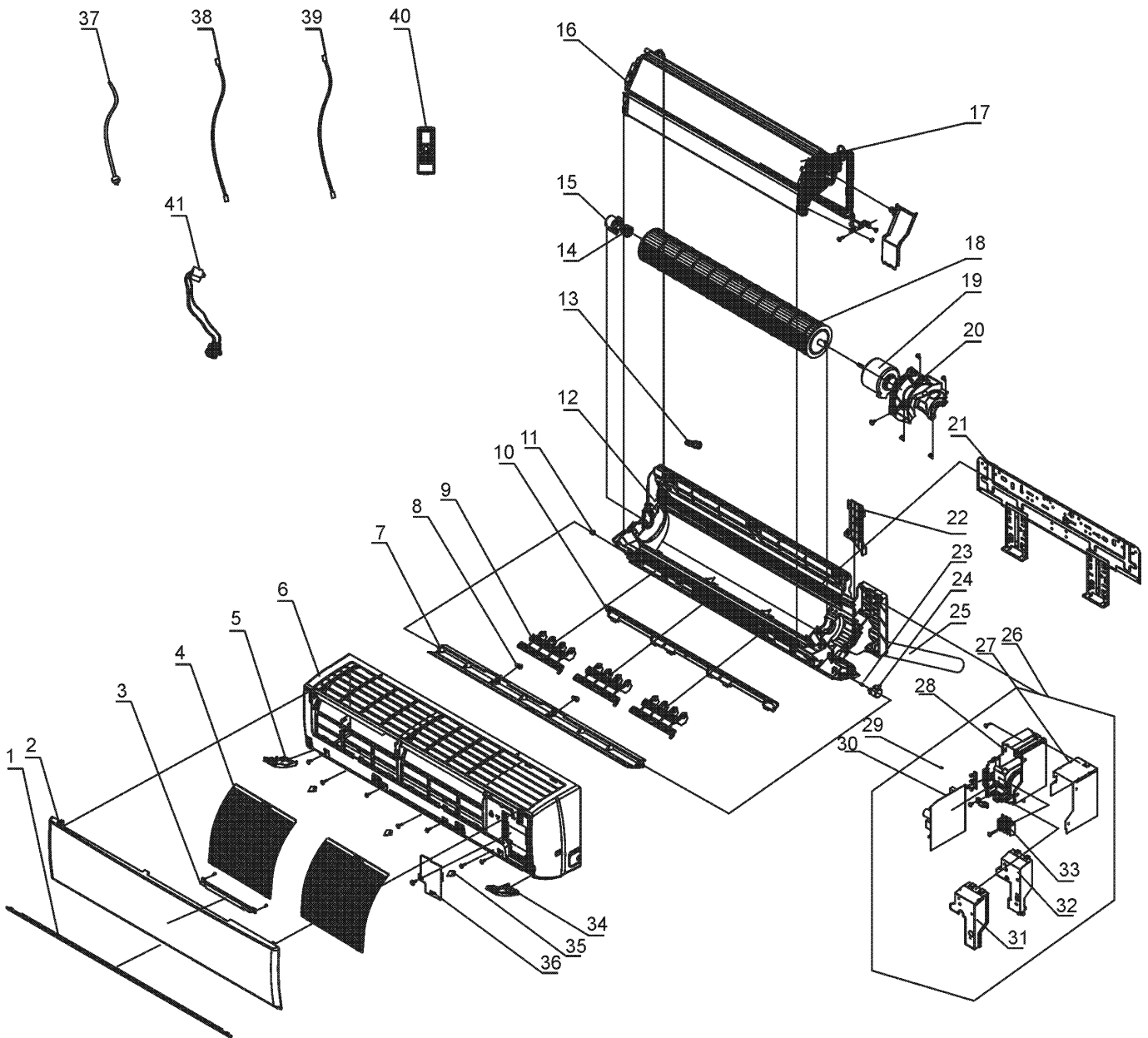
- M1 - GMX160122HWE
- M2 - GMX160182HWE
- M3 - GMX160242HWE
- M4 - GMX16092HWE
- M5 - GMX180362HWE

To order parts contact:
Doral Branch #274
8925 NW 27th St.
Miami, FL 33172

GMX160182HWE

GMX160182HWE

To order parts contact:
Doral Branch #274
8925 NW 27th St.
Miami, FL 33172



GMX160182HWE

Ref. Part No:	Ref. Part No:	Description:	Description:
Image 1:			
1	20192676	Decorative Strip 1 (M2)	
2	*2002278601	Front Panel Assy (M2)	
		* Last digits of part number _L74327	
3	30565262	Display Board (M2)	
4	11122089	Filter Sub-Assy (M2)	
5	NA	DECORATIVE BOARD(LEFT) (M2)	
6	2002278701	Front Case Assy (M2)	
7	1051273401	Guide Louver (M2)	
8	1054203601	Axile Bush (M2)	
9	1051273201	Air Louver(Manual) (M2)	
10	2611251201	Helicoid Tongue (M2)	
11	1051203702	Left Axile Bush (M2)	
12	00000100019	Rear Case assy (M2)	
13	76712012	Rubber Plug (Water Tray) (M2)	
14	7651205102	O-Gasket sub-assy of Bearing (M2)	
15	26152025	Ring of Bearing (M2)	
16	24212177	Evaporator Support (M2)	
17	0100200001401	Evaporator Assy (M2)	
18	10352060	Cross Flow Fan (M2)	
19	1501214503	Fan Motor (M2)	
20	26112511	Motor Press Plate (M2)	
21	01362026	Wall Mounting Frame (M2)	
22	2611218802	Connecting pipe clamp (M2)	
23	7301200502	Crank (M2)	
24	1521240212	Stepping Motor (M2)	
25	05230014	Drainage Hose (M2)	
26	*10000204225	Electric Box Assy (M2)	
		* Last digits of part number _L74327	
27	01592139	Lower Shield of Electric Box (M2)	
28	2011221102	Electric Box (M2)	
29	4202021909	Jumper (M2)	
30	30138000657	Main Board (M2)	
31	01592176	Shield Cover of Electric Box (M2)	
32	2011220901	Electric Box Cover (M2)	
33	42011233	Terminal Board (M2)	
34	20192693	Decorative Board (Left) (M2)	
35	2425201726	Screw Cover (M2)	
36	2011221001	Electric Box Cover2 (M2)	
37	NA	POWER CORD (M2)	
38	4002052316	Connecting Cable (M2)	
39	NA	CONNECTING CABLE (M2)	
40	*30510474	Remote Controller (M2)	
		* Last digits of part number _L74327	
41	NA	COLD PLASMA GENERATOR (M2)	

Expanded Model Nomenclature

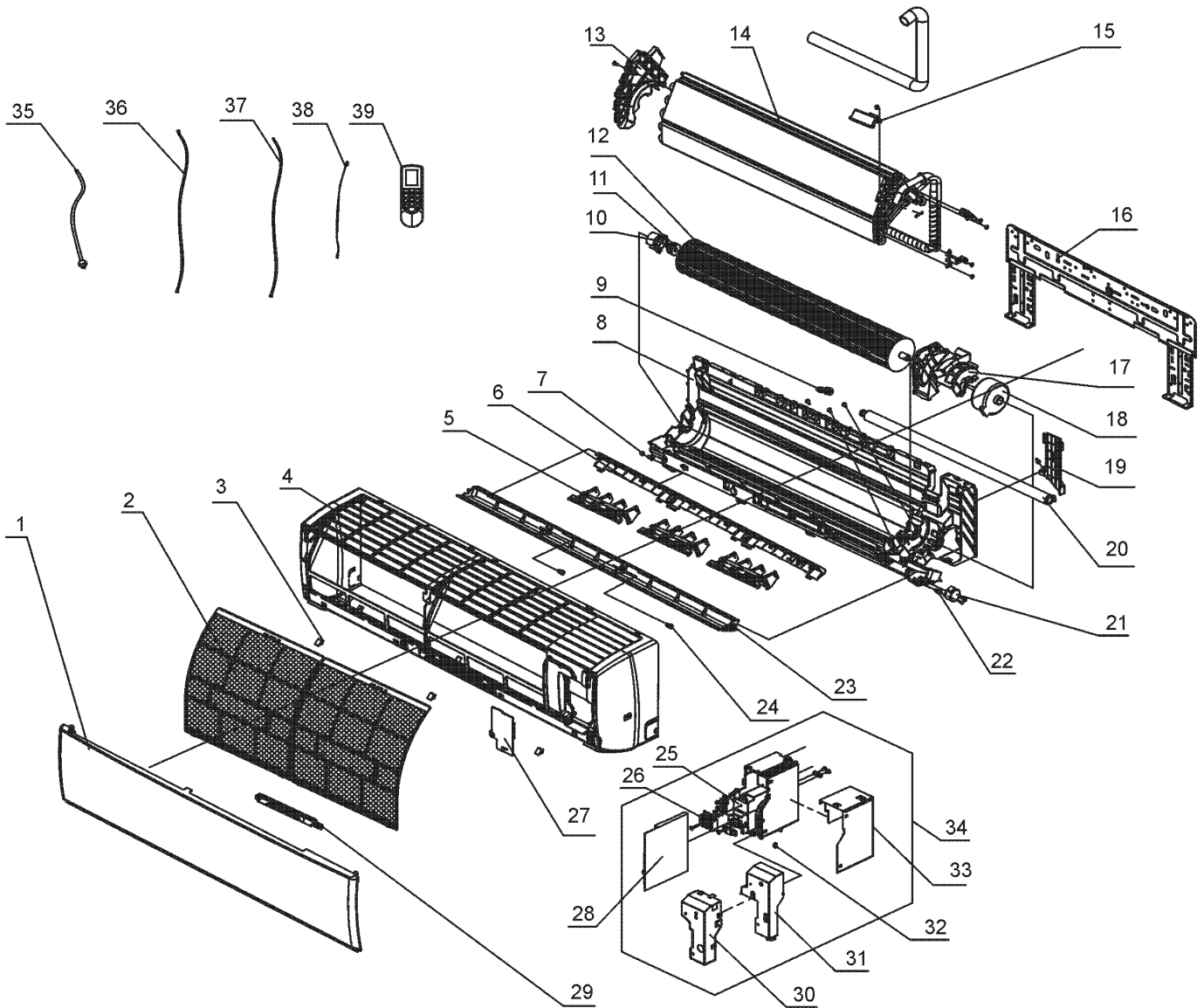
M1 - GMX160122HWE
M2 - GMX160182HWE
M3 - GMX160242HWE
M4 - GMX16092HWE
M5 - GMX180362HWE

To order parts contact:
Doral Branch #274
8925 NW 27th St.
Miami, FL 33172

GMX160242HWE

GMX160242HWE

To order parts contact:
Doral Branch #274
8925 NW 27th St.
Miami, FL 33172



GMX160242HWE

Ref. Part No:	Ref. Part No:	Description:	Description:
Image 1:			
1	27230009522	Front Panel (M3)	
2	11012007	Filter Sub-Assy (M3)	
3	2425245301	Screw Cover (M3)	
4	20022771	Front Case Assy (M3)	
5	1051273701	Air Louver(Manual) (M3)	
6	2611238201	Helicoid Tongue sub-assy (M3)	
7	1051203702	Left Axile Bush (M3)	
8	00000100020	Rear Case assy (M3)	
9	76712012	Rubber Plug (Water Tray) (M3)	
10	26152025	Ring of Bearing (M3)	
11	7651205102	O-Gasket sub-assy of Bearing (M3)	
12	10352057	Cross Flow Fan (M3)	
13	24212178	Evaporator Support (M3)	
14	01100100029	Evaporator Assy (M3)	
15	NA	COLD PLASMA GENERATOR (M3)	
16	01252229	Wall Mounting Frame (M3)	
17	26112515	Motor Press Plate (M3)	
18	1501214501	Fan Motor (M3)	
19	2611251401	Connecting pipe clamp (M3)	
20	0523001405	Drainage Hose (M3)	
21	1521240212	Stepping Motor (M3)	
22	7301200502	Crank (M3)	
23	1051273801	Guide Louver (M3)	
24	1054203601	Axile Bush (M3)	
25	2011221102	Electric Box (M3)	
26	42011233	Terminal Board (M3)	
27	2011221001	Electric Box Cover2 (M3)	
28	30138000661	Main Board (M3)	
29	30565262	Display Board (M3)	
30	01592176	Shield Cover of Electric Box (M3)	
31	2011220901	Electric Box Cover (M3)	
32	4202021923	Jumper (M3)	
33	01592139	Lower Shield of Electric Box (M3)	
34	*10000204223	Electric Box Assy (M3)	
		* Last digits of part number _L74327	
35	NA	POWER CORD (M3)	
36	4002052316	Connecting Cable (M3)	
37	NA	CONNECTING CABLE (M3)	
38	3900031302	Temperature Sensor (M3)	
39	*30510474	Remote Controller (M3)	
		* Last digits of part number _L74327	

Expanded Model Nomenclature

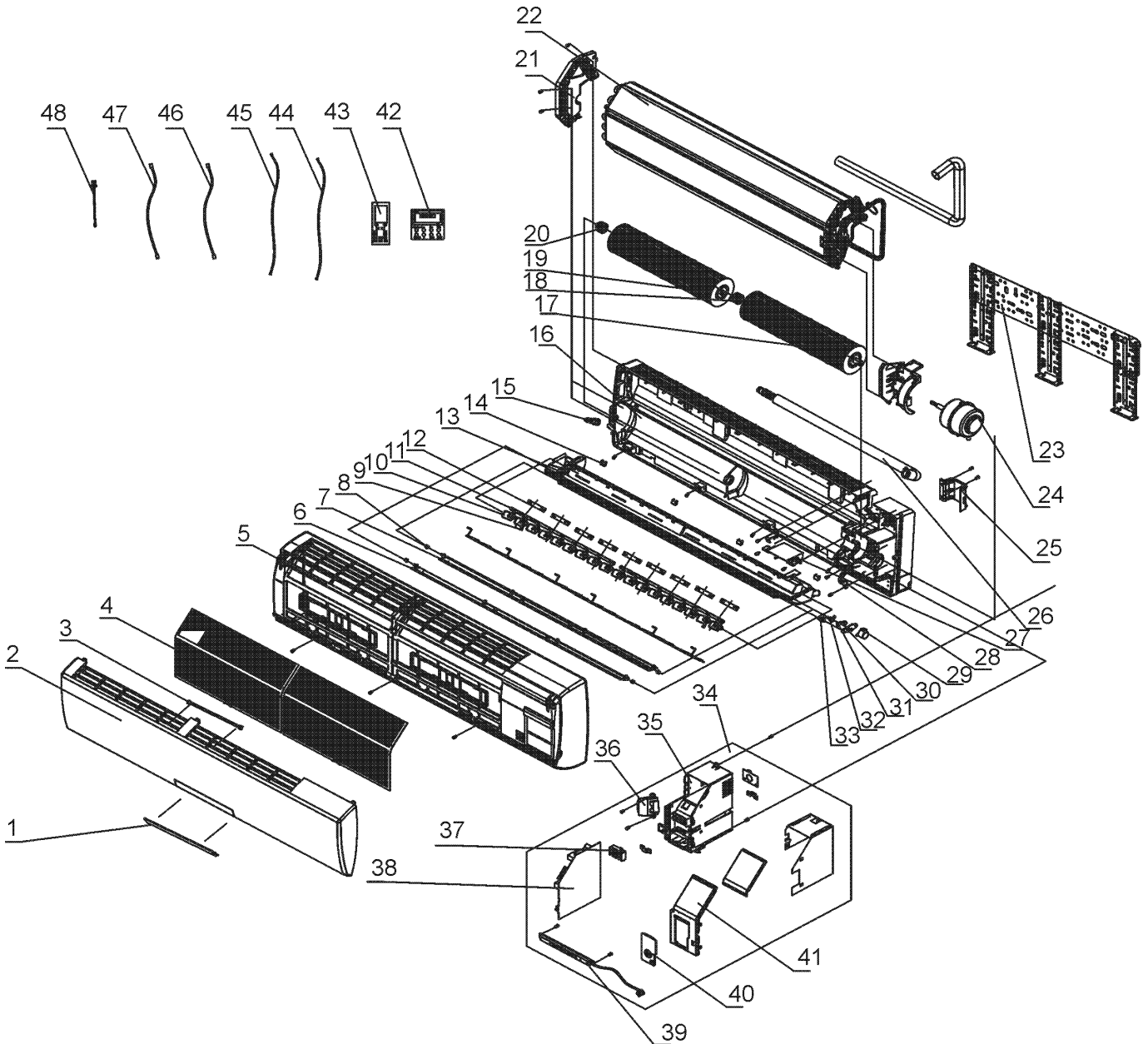
- | |
|-------------------|
| M1 - GMX160122HWE |
| M2 - GMX160182HWE |
| M3 - GMX160242HWE |
| M4 - GMX16092HWE |
| M5 - GMX180362HWE |

To order parts contact:
 Doral Branch #274
 8925 NW 27th St.
 Miami, FL 33172

GMX180362HWE

GMX180362HWE

To order parts contact:
Doral Branch #274
8925 NW 27th St.
Miami, FL 33172



GMX180362HWE

Ref. Part No: No:	Description:	Ref. Part No: No:	Description:
Image 1:		Expanded Model Nomenclature	
1	22432164 Receiver Window (M5)	M1	GMX160122HWE
2	27230009523 Front Panel (M5)	M2	GMX160182HWE
3	24212120 Stand Bar (M5)	M3	GMX160242HWE
4	11122106 Filter Sub-Assy (M5)	M4	GMX16092HWE
5	20022159 Front Case Sub-assy (M5)	M5	GMX180362HWE
6	10512166 Upper Guide Louver (M5)		
7	10512167 Lower Guide Louver (M5)		
8	10542704 Axile Bush (M5)		
9	10512169 Air Louver 2 (M5)		
10	10512168 Air Louver 1 (M5)		
11	10582086 Connecting Rod (M5)		
12	26112158 Louver Clamp (M5)		
13	20182138 Water Tray (M5)		
14	242520053 Screw Cover (M5)		
15	76712012 Rubber Plug (Water Tray) (M5)		
16	22202928 Rear Case assy (M5)		
17	10352039 Cross Flow Fan 1 (M5)		
18	26152028 Bearing Holder Sub-assy (M5)		
19	10352040 Cross Flow Fan 2 (M5)		
20	76512051 O-Gasket sub-assy of Bearing (M5)		
21	24212041 Left Evaporator Support (M5)		
22	01002758 Evaporator Assy (M5)		
23	01252398 Wall Mounting Frame (M5)		
24	150121073 Fan Motor (M5)		
25	26112071 Pipe Clamp (M5)		
26	0523001404 Drainage Hose (M5)		
27	20122124 Cover Plate (M5)		
28	26112354 Motor Fixed Clip (M5)		
29	1521210701 SteppingMotor (M5)		
30	26112070 Press Plate(Crank) (M5)		
31	10582041 Crank-guide (M5)		
32	10562004 Upper Crank (M5)		
33	10562005 Lower crank (M5)		
34	*20202919 Electric Box Assy (M5)		
	* Last digits of part number _L74327		
35	201022502 Electric Box (M5)		
36	43110258 Transformer (M5)		
37	42011233 Terminal Board (M5)		
38	30138945 Main Board (M5)		
39	NA DISPLAY BOARD (M5)		
40	201022523 Electric Box Cover (M5)		
41	2011204404S Electric Box Cover (M5)		
42	30565087 Display Board (M5)		
43	*30510474 Remote Controller (M5)		
	* Last digits of part number _L74327		
44	4002052317 Connecting Cable (M5)		
45	NA POWER CORD (M5)		
46	NA SIGNAL WIRE (M5)		
47	390000591 Temperature Sensor (M5)		
48	390000451 Temperature Sensor (M5)		

To order parts contact:
Doral Branch #274
8925 NW 27th St.
Miami, FL 33172