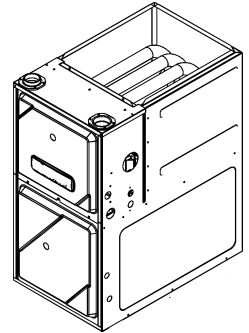




REPAIR PARTS

GMVS 96% Ultra Low Nox Gas Furnace

GMVS960603BUAA
GMVS960603BUAB
GMVS960603BUAC
GMVS960805CUAA
GMVS960805CUAB
GMVS960805CUAC



This manual is to be used by qualified technicians only.

This manual replaces RP-G2334C

© 2020, 2022 - 2023 Goodman Manufacturing Company, L.P. ♦ 19001 Kermier Rd. ♦ Waller, TX 77484

Important Information

Index

Functional Parts List	3
Illustration and Parts	4 - 11

Views shown are for parts illustrations only, not servicing procedures.

Text Codes:

AR - As Required

NA - Not Available

NS - Not Shown

00000000 - See Note

QTY - Quantity Example (QTY 3) (If Quantity not shown, Quantity = 1)

M - Model Example (M1) (If M Code not shown, then part is used on all Models)

Expanded Model Nomenclature:

Example M1 - Model#1 M2 - Model#2 M3 - Model#3

Goodman Manufacturing Company, L.P. is not responsible for personal injury or property damage resulting from improper service. Review all service information before beginning repairs.

Warranty service must be performed by an authorized technician, using authorized factory parts. If service is required after the warranty expires, Goodman Manufacturing Company, L.P. also recommends contacting an authorized technician and using authorized factory parts.

Goodman Manufacturing Company, L.P. reserves the right to discontinue, or change at any time, specifications or designs without notice or without incurring obligations.

For assistance within the U.S.A. contact:
Homeowner Support
Goodman Manufacturing Company, L.P.
19001 Kermier Road
Waller, Texas 77484
877-254-4729-Telephone
713-863-2382-Facsimile

For assistance outside the U.S.A. contact:
International Division
Goodman Manufacturing Company, L.P.
19001 Kermier Road
Waller, Texas 77484
713-861-2500-Telephone
713-863-2382-Facsimile

Functional Parts

Part

No: Description:

0130F00803	90% PRESSURE TRANSDUCER
SHARED DATA	Available thru CoolCloud HVAC app.
0130F00762	FLAME SENSOR
0151M00094	GAS VALVE
0257F00436	HEAT EXCHANGER ASSY (M4, M5, M6)
0257F00434	HEAT EXCHANGER ASSY (M1, M2, M3)
0130M00141	INDUCTOR 5.9 AMPS (M4, M5, M6)
0130M00243	INTERLOCK SWITCH
0130F00071	LIMIT, PRIMARY (M1, M2, M3)
20162906	LIMIT, PRIMARY (M4, M5, M6)
0130F00038	LIMIT, PRIMARY, 120, LT BLUE (QTY 2)
0271F00507	MORRISON 11 X 10 BLOWER (M4, M5, M6)
0271F00506	MORRISON 11 X 8 BLOWER (M1, M2, M3)
0131M01011	MOTOR, 1 HP (M6)
0131M00272	MOTOR, 1 HP, SERIAL ECM (M4, M5)
0131M01002	MOTOR, 1/2 HP (M2, M3)
0131M00270	MOTOR, 1/2 HP, SERIAL ECM (M1)
PCBKF301	PCB, CONTROL BOARD
0130F00596	SWITCH, HIGH LIMIT ULN
0130F00685	SWITCH, HIGH LIMIT ULN
0130F00684	SWITCH, PRESSURE
0130M00140	TRANSFORMER 120V TO 24V, 40VA
0163F00056	ULN Burner Assy (M1, M2, M3)
0163F00057	ULN Burner Assy (M4, M5, M6)
0130F00717	ULN IGNITER

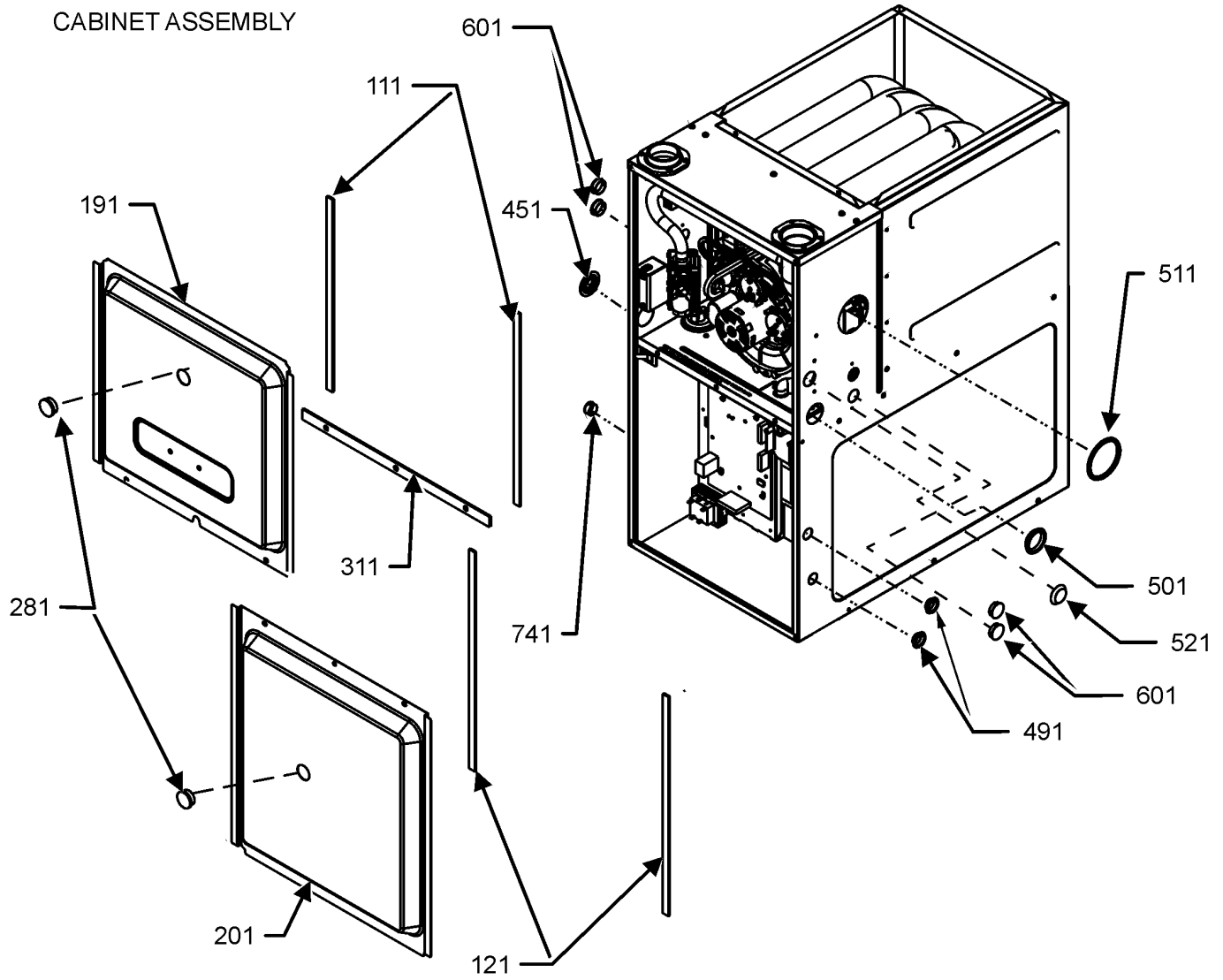
SPECIAL PARTS

0161F00086 NAMEPLATE, GOODMAN

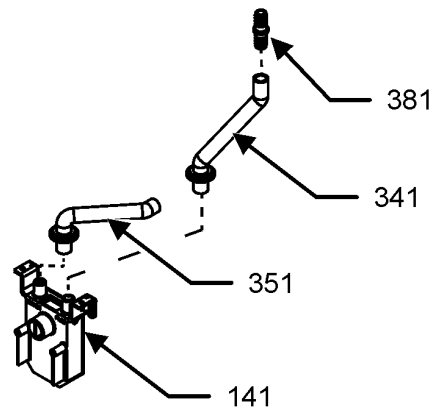
Expanded Model Nomenclature

M1 - GMVS960603BUAA
M2 - GMVS960603BUAB
M3 - GMVS960603BUAC
M4 - GMVS960805CUAA
M5 - GMVS960805CUAB
M6 - GMVS960805CUAC

CABINET ASSEMBLY



CABINET ASSEMBLY MAY
DIFFER FROM WHAT IS SHOWN



DRAIN TRAP ASSEMBLY

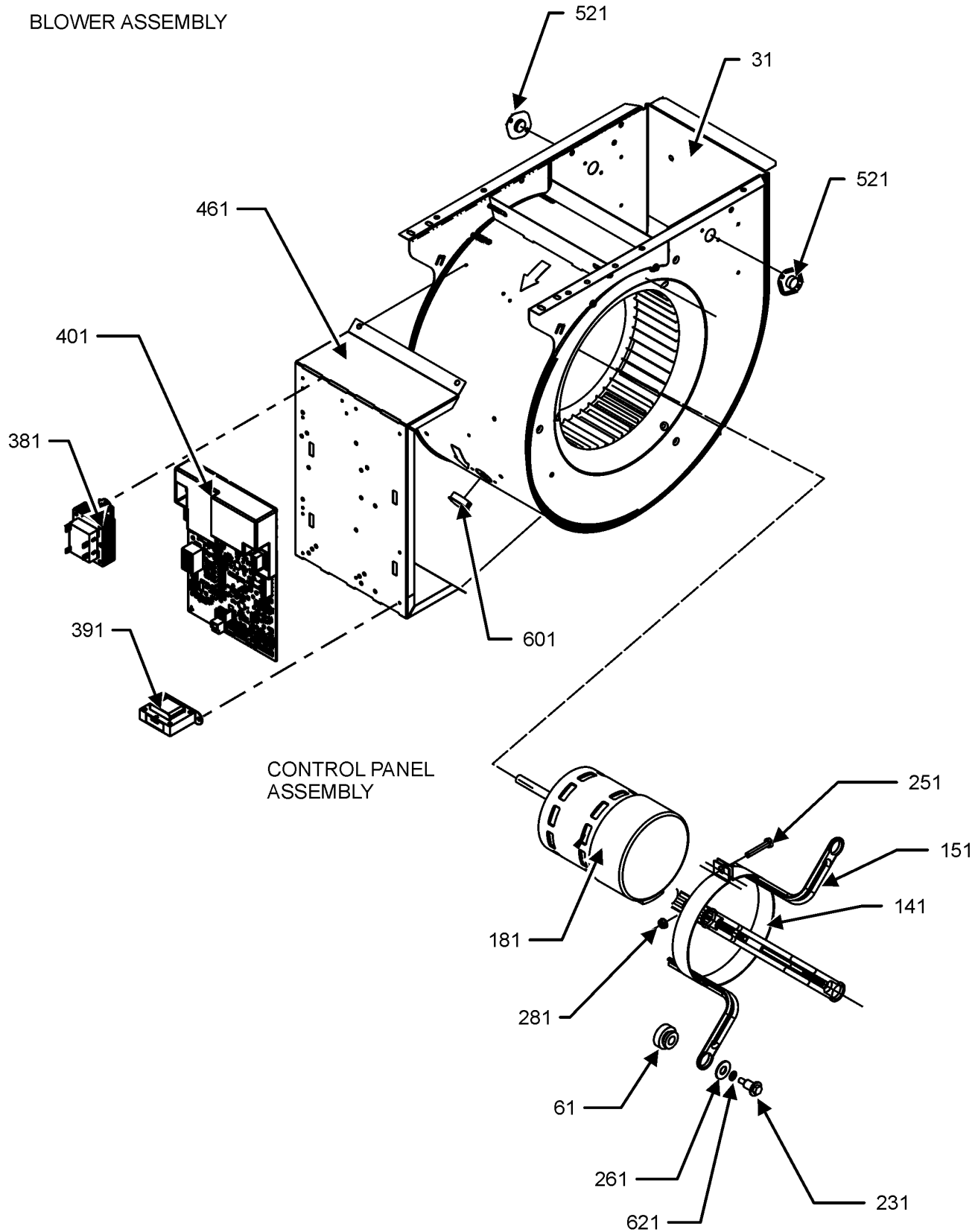
CABINET ASSEMBLY

Ref. Part No:	No:	Description:	Ref. Part No:	No:	Description:
Image 1:					
111	0154F00024	GASKET (QTY 2)			
121	0154F00025	GASKET (QTY 2)			
141	0161F00046	DRAIN TRAP			
191	0121F00291DG	DOOR, ACCESS 17.5 PNT (M1, M2, M3)			
191	0121F00292DG	DOOR, ACCESS 21 PNT (M4, M5, M6)			
201	0121F00288DG	DOOR, BLOWER 17.5 PNT (M1, M2, M3)			
201	0121F00289DG	DOOR, BLOWER 21 PNT (M4, M5, M6)			
281	B1392139	VIEW PORT BUSHING-BLOWER DOOR (QTY 2)			
311	0154F00020	GASKET, DECK (M1, M2, M3)			
311	0154F00021	GASKET, DECK (M4, M5, M6)			
341	0164F00017	HOSE-ELBOW/TRAP			
351	0164F00024	HOSE, COVER/TRAP			
381	0161F00047	COUPLING, HOSE BARBED			
451	M0501301	PIPE GROMMET			
491	M0570808	BUTTON PLUG (QTY 3)			
501	M0570806	BUTTON PLUG			
511	M0570807	BUTTON PLUG			
521	0161M00027	PLUG, HOLE			
601	B1392021	PLASTIC PLUG, 1" (2713-BLK) (QTY 4)			
741	B1392104	UNIVERSAL BUSHING UB 875			
NS	M0310345	BUTTON PLUG (QTY 2)			
NS	0163M00460	CLAMP-HOSE (QTY 2)			
NS	0270F05402	DRAIN KIT ASSY			
NS	0163M00319	HEX NUT-INSERT (QTY 3)			
NS	0161F00086	NAMEPLATE, GOODMAN			
NS	M0273904	RETAINER-SCREW (QTY 3)			
NS	M0209730	SCREW-DECORATIVE (QTY 3)			

Expanded Model Nomenclature

M1 - GMVS960603BUAA
M2 - GMVS960603BUAB
M3 - GMVS960603BUAC
M4 - GMVS960805CUAA
M5 - GMVS960805CUAB
M6 - GMVS960805CUAC

BLOWER ASSEMBLY



BLOWER ASSEMBLY MAY DIFFER FROM WHAT IS SHOWN

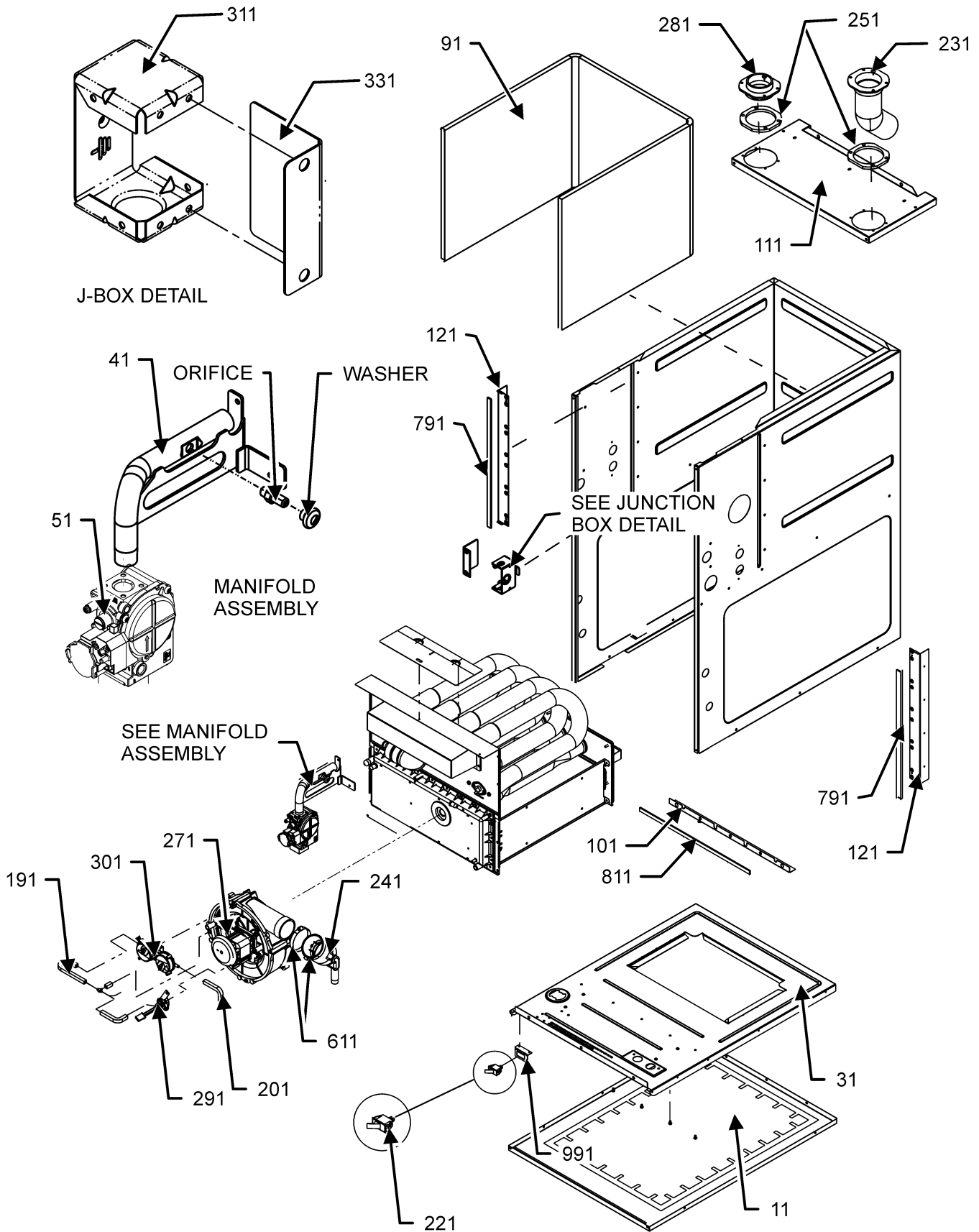
BLOWER ASSEMBLY

Ref. Part No:	Ref. Part No:	Description:	Description:
Image 1:			
31	0271F00507	MORRISON 11 X 10 BLOWER (M4, M5, M6)	
31	0271F00506	MORRISON 11 X 8 BLOWER (M1, M2, M3)	
61	A4002702	BLOWER MOTOR GROMMET (M4, M5, M6)	
141	10441601	BAND-MTR MOUNT (M4, M5, M6)	
141	0121M00038	MOUNT BAND, MOTOR (M1, M2, M3)	
151	10441501	ARM-MTR MOUNT (M4, M5, M6)	
151	B1376857	MOTOR MOUNT ARM (M1, M2, M3)	
181	0131M01011	MOTOR, 1 HP (M6)	
181	0131M00272	MOTOR, 1 HP, SERIAL ECM (M4, M5)	
181	0131M01002	MOTOR, 1/2 HP (M2, M3)	
181	0131M00270	MOTOR, 1/2 HP, SERIAL ECM (M1)	
231	0163F00028	SCREW (M4, M5, M6)	
231	M0250565	SCREW-TC 1.25" (M1, M2, M3)	
251	M0267144	MACHINE SCREW (M4, M5, M6)	
251	B1393323	SCREW,MACH HWH 1/4-20X1 1/2 BZ (M1, M2, M3)	
261	B1392918	WASHER, FLAT 1/4 ID X 1 OD (M1, M2, M3)	
261	M0274008	WASHER-FLAT (M4, M5, M6)	
281	M0282015	KEPS NUT (M4, M5, M6)	
281	B1393800	LOCKNUT, NYLON, INSERT 1/4,20 (M1, M2, M3)	
381	0130M00140	TRANSFORMER 120V TO 24V, 40VA	
391	0130M00141	INDUCTOR 5.9 AMPS (M4, M5, M6)	
401	PCBKF301	PCB, CONTROL BOARD	
461	0121F00464	MOUNTING PLATE-CONTROLS	
521	0130F00038	LIMIT, PRIMARY, 120, LT BLUE (QTY 2)	
601	B1392021	PLASTIC PLUG, 1" (2713-BLK) (QTY 4)	
621	B1392820	WASHER, SPLIT LOCK 1/4 BZ (M4, M5, M6)	
NS	SHARED DATA	Av ailable thru CoolCloud HVAC app.	
NS	0259F00040	HARNESS, CONTROL	
NS	0259F00041	HARNESS-POWER	
NS	0259F00024	WIRE HARNESS-BLOWER	

Expanded Model Nomenclature

M1 - GMVS960603BUAA
M2 - GMVS960603BUAB
M3 - GMVS960603BUAC
M4 - GMVS960805CUAA
M5 - GMVS960805CUAB
M6 - GMVS960805CUAC

CHASSIS ASSEMBLY



CHASSIS ASSEMBLY

Ref. Part No:	Part No:	Description:	Ref. Part No:	Part No:	Description:
---------------	----------	--------------	---------------	----------	--------------

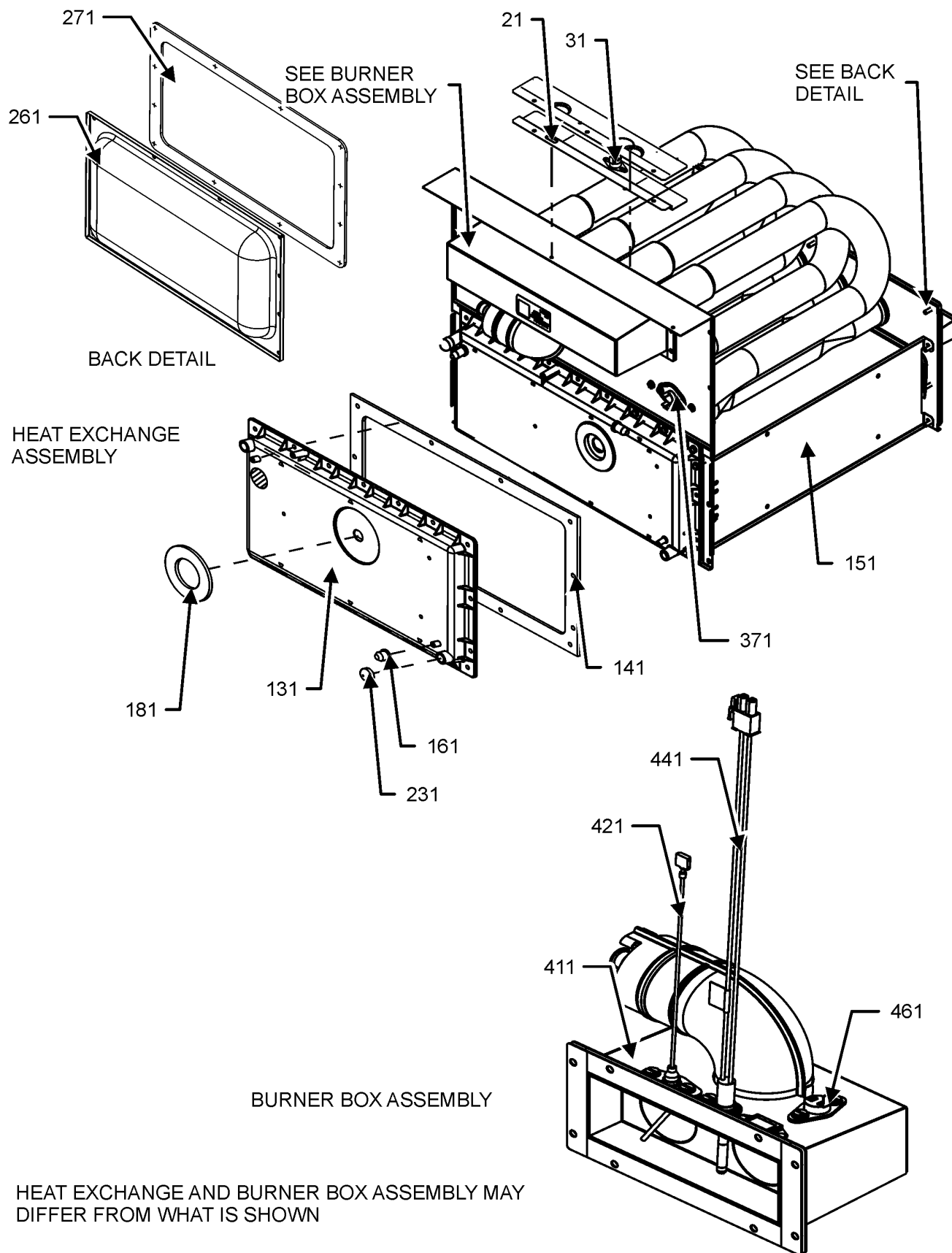
Image 1:

11	0121F00530DG	BASEPAN, 17.5 (M1, M2, M3)
11	0121F00531DG	BASEPAN, 21 PNT (M4, M5, M6)
31	0121F00766	DECK- BLOWER 17.5" (M1, M2, M3)
31	0121F00767	DECK- BLOWER 21" (M4, M5, M6)
41	0270F04112	MANIFOLD ASSY ULN (M1, M2, M3)
41	0270F04113	MANIFOLD ASSY ULN (M4, M5, M6)
51	0151M00094	GAS VALVE
91	0160F00015	INSULATION, HT EXCHANGER 17.5" (M1, M2, M3)
91	0160F00016	INSULATION, HT EXCHANGER 21" (M4, M5, M6)
101	0121F00314	ANGLE, DECK (M1, M2, M3)
101	0121F00315	ANGLE, DECK (M4, M5, M6)
111	0121F00279DG	PAINTED TOP, FURNACE 17.5 (M1, M2, M3)
111	0121F00280DG	PAINTED TOP, FURNACE 21 (M4, M5, M6)
121	0121F00313	ANGLE, SIDE (QTY 2)
191	0164M00115	HOSE- PRESSURE SW 6"
201	0164M00119	HOSE- PRESSURE SW 12"
221	0130M00243	INTERLOCK SWITCH
231	0164F00002	FLUE PIPE W/BEND
241	0164F00025	ELBOW-FLUE,UPFLOW
251	0154F00041	FRESH AIR GASKET (QTY 2)
271	0171M00009	MOTOR, ID BLOWER
281	0161F00037	COUPLING
291	0130F00803	90% PRESSURE TRANSDUCER
301	0130F00684	SWITCH, PRESSURE
311	0161F00042	JUNCTION BOX PLA
331	0161F00043	JUNCTION BOX LID
611	0163M00460	CLAMP-HOSE (QTY 2)
791	0154F00015	GASKET (QTY 2)
811	0154F00014	GASKET (M1, M2, M3)
811	0154F00016	GASKET (M4, M5, M6)
991	0121F00389	BRACKET, DOOR SWITCH
NS	0154F00020	GASKET, DECK (M1, M2, M3)
NS	0154F00021	GASKET, DECK (M4, M5, M6)
NS	M0326804	PLUG-TUBE
NS	0163F00039	ULN ORIFICE (M1, M2, M3)
NS	0163F00040	ULN ORIFICE (M4, M5, M6)
NS	0164F00019	ULN WASHER
NS	0159F00117	WIRING HARNESS (M1, M2, M4)
NS	0159F00128	WIRING HARNESS (M3, M5, M6)

Expanded Model Nomenclature

- | |
|---------------------|
| M1 - GMVS960603BUAA |
| M2 - GMVS960603BUAB |
| M3 - GMVS960603BUAC |
| M4 - GMVS960805CUAA |
| M5 - GMVS960805CUAB |
| M6 - GMVS960805CUAC |

HEAT EXCHANGE ASSEMBLY



HEAT EXCHANGE AND BURNER BOX ASSEMBLY MAY DIFFER FROM WHAT IS SHOWN

HEAT EXCHANGE ASSEMBLY

Ref. Part No:	Ref. Part No:	Description:	Description:
Image 1:			
21	0121F00704	BAFFLE, AIR ULN	
31	0130F00685	SWITCH, HIGH LIMIT ULN	
131	0161F00073	COVER, FRONT (M1, M2, M3)	
131	0161F00074	COVER, FRONT (M4, M5, M6)	
141	0154F00026	GASKET FRONT COVER (M1, M2, M3)	
141	0154F00030	GASKET FRONT COVER (M4, M5, M6)	
151	0257F00434	HEAT EXCHANGER ASSY (M1, M2, M3)	
151	0257F00436	HEAT EXCHANGER ASSY (M4, M5, M6)	
161	M0326804	TUBE PLUG	
181	0154F00066	GASKET, ID ORIFICE ULN	
231	A1781105	CAP-VINYL .500	
261	0121F00317	COVER, REAR (M1, M2, M3)	
261	0121F00318	COVER, REAR (M4, M5, M6)	
271	0154F00046	GASKET, REAR CVR (M1, M2, M3)	
271	0154F00047	GASKET, REAR CVR (M4, M5, M6)	
371	0130F00071	LIMIT, PRIMARY (M1, M2, M3)	
371	20162906	LIMIT, PRIMARY (M4, M5, M6)	
411	0163F00056	ULN Burner Assy (M1, M2, M3)	
411	0163F00057	ULN Burner Assy (M4, M5, M6)	
421	0130F00762	FLAME SENSOR	
441	0130F00717	ULN IGNITER	
461	0130F00596	SWITCH, HIGH LIMIT ULN	
NS	0154F00041	GASKET FRESH AIR (QTY 2)	
NS	0154F00106	GASKET, BRNR FRONT (M1, M2, M3)	
NS	0154F00107	GASKET, BRNR FRONT (M4, M5, M6)	
NS	0154F00069	GASKET, LIMIT ULN	
NS	0154F00068	GASKET, ULN FLAME SENSOR	
NS	0154F00067	GASKET, ULN IGNITOR	
NS	0121F00743	HEAT SHIELD, PRIMARY LIMIT	
NS	0121F00583	INSULATION, RETAINER (M1, M2, M3)	
NS	0121F00584	INSULATION, RETAINER (M4, M5, M6)	
NS	0121F00355	SHIELD, COIL (QTY 2)	
NS	0259F00277	WIRE HARNESS-BAFFLE LIMIT	

Expanded Model Nomenclature

- | |
|---------------------|
| M1 - GMVS960603BUAA |
| M2 - GMVS960603BUAB |
| M3 - GMVS960603BUAC |
| M4 - GMVS960805CUAA |
| M5 - GMVS960805CUAB |
| M6 - GMVS960805CUAC |