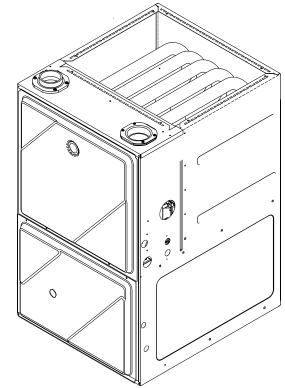




REPAIR PARTS

GMVM 97% ECM Up Flow Furnace

GMVM970603BNBA
GMVM970603BNBB
GMVM970603BNBC
GMVM970603BNBD
GMVM970803BNBA
GMVM970803BNBB
GMVM970803BNBC
GMVM970803BNBD
GMVM970804CNBA
GMVM970804CNBB
GMVM970804CNBC
GMVM970804CNBD
GMVM971005CNBA
GMVM971005CNBB
GMVM971005CNBC
GMVM971005CNBD
GMVM971205DNBA
GMVM971205DNBB
GMVM971205DNBC
GMVM971205DNBD



This manual is to be used by qualified technicians only.

This manual replaces RP-G2322A

© 2022 Goodman Manufacturing Company, L.P. ♦ 5151 San Felipe St, Suite 500 ♦ Houston, TX 77056

Important Information

Index

Functional Parts List	3
Illustration and Parts	4 - 11

Views shown are for parts illustrations only, not servicing procedures.

Text Codes:

AR - As Required

NA - Not Available

NS - Not Shown

00000000 - See Note

QTY - Quantity Example (QTY 3) (If Quantity not shown, Quantity = 1)

M - Model Example (M1) (If M Code not shown, then part is used on all Models)

Expanded Model Nomenclature:

Example M1 - Model#1 M2 - Model#2 M3 - Model#3

Goodman Manufacturing Company, L.P. is not responsible for personal injury or property damage resulting from improper service. Review all service information before beginning repairs.

Warranty service must be performed by an authorized technician, using authorized factory parts. If service is required after the warranty expires, Goodman Manufacturing Company, L.P. also recommends contacting an authorized technician and using authorized factory parts.

Goodman Manufacturing Company, L.P. reserves the right to discontinue, or change at any time, specifications or designs without notice or without incurring obligations.

For assistance within the U.S.A. contact:
Homeowner Support
Goodman Manufacturing Company, L.P.
19001 Kermier Road
Waller, Texas 77484
877-254-4729-Telephone
713-863-2382-Facsimile

For assistance outside the U.S.A. contact:
International Division
Goodman Manufacturing Company, L.P.
19001 Kermier Road
Waller, Texas 77484
713-861-2500-Telephone
713-863-2382-Facsimile

Functional Parts

Part No: **Description:**

20162904	*PRIMARY LIMIT-TEMPERATURE CONTROL (M17, M18, M19, M20)
SHARED DATA	Available thru CoolCloud HVAC app.
0163F00017	BECKETT BURNER (QTY 3)
0130F00010	FLAME SENSOR
0151M00092	GAS VALVE, WR MOD
0257F00260	HEAT EXCHANGER ASSY (M13, M14, M15, M16)
0257F00254	HEAT EXCHANGER ASSY (M5, M6, M7, M8)
0257F00238	HEAT EXCHANGER ASSY (M9, M10, M11, M12)
0257F00237	HEAT EXCHANGER ASSY (M1, M2, M3, M4)
0257F00257	HEAT EXCHANGER ASSY (M17, M18, M19, M20)
0130F00008	IGNITOR-SINI 17 SEC
0130M00141	INDUCTOR, 5.9 AMPS (M9, M10, M11, M12, M13, M14, M15, M16, M17, M18, M19, M20)
10123529	MANUAL RESET LIMIT (QTY 2)
0271F00507	MORRISON 11 X 10 BLOWER (M9, M10, M11, M12, M13, M14, M15, M16)
0271F00508	MORRISON 11 X 11 BLOWER (M17, M18, M19, M20)
0271F00506	MORRISON 11 X 8 BLOWER (M1, M2, M3, M4, M5, M6, M7, M8)
0131M01011	MOTOR, 1 HP (M16, M20)
0131M00272	MOTOR, 1 HP, SERIAL ECM (M13, M14, M15, M17, M18, M19)
0131M01002	MOTOR, 1/2 HP (M3, M4, M7, M8)
0131M00270	MOTOR, 1/2 HP, SERIAL ECM (M1, M2, M5, M6)
0131M01003	MOTOR, 3/4 HP (M11, M12)
0131M00271	MOTOR, 3/4 HP, SERIAL ECM (M9, M10)
PCBCM100	PCB CONTROL (M1, M2, M3, M5, M6, M7, M9, M10, M11, M13, M14, M17, M18)
PCBKF204	PCB, FURNACE CONTROL (M1, M2, M3, M5, M6, M7, M9, M10, M11, M13, M14, M17, M18)
PCBKF206	PCB, FURNACE CONTROL (M4, M8, M12, M15, M16, M19, M20)
0130F00722	PRESSURE SWITCH (M9, M10, M11, M12)
0130F00723	PRESSURE SWITCH (M1, M2, M3, M4)
0130F00724	PRESSURE SWITCH (M5, M6, M7, M8)
0130F00725	PRESSURE SWITCH (M13, M14, M15, M16)
0130F00726	PRESSURE SWITCH (M17, M18, M19, M20)
20162903	PRIMARY LIMIT - BLUE (M9, M10, M11, M12, M13, M14, M15, M16)
0130F00038	PRIMARY LIMIT - LT BLUE 120° (QTY 2)
0130F00036	PRIMARY LIMIT - PINK (M1, M2, M3, M4)
20162906	PRIMARY LIMIT - WHITE (M5, M6, M7, M8)
0130F00429	SWITCH, PRESSURE
0130M00140	TRANSFORMER,(120V TO 24V,40VA,

Expanded Model Nomenclature

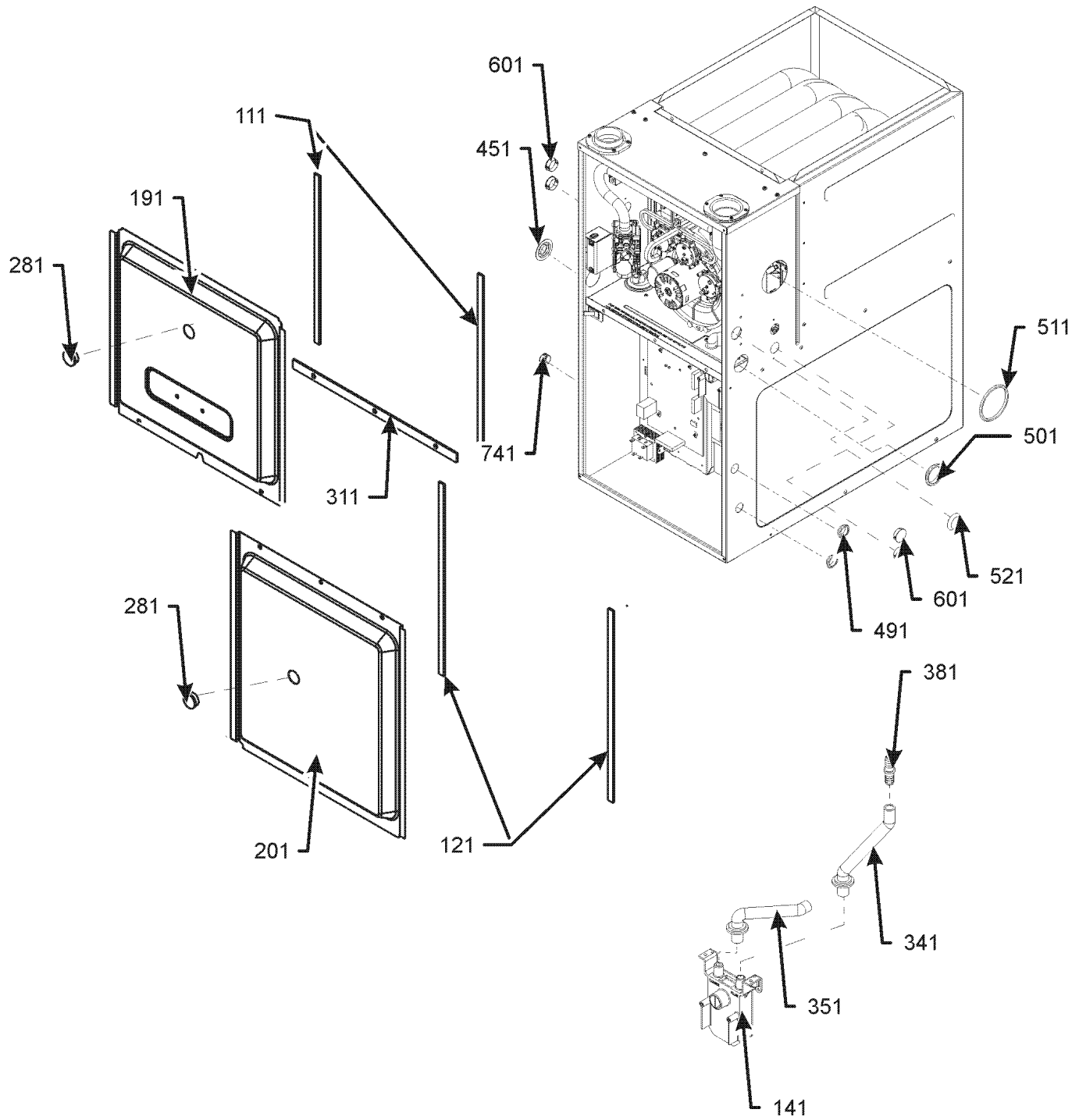
M1 - GMVM970603BNBA
M2 - GMVM970603BNBB
M3 - GMVM970603BNBC
M4 - GMVM970603BNBD
M5 - GMVM970803BNBA
M6 - GMVM970803BNBB
M7 - GMVM970803BNBC
M8 - GMVM970803BNBD
M9 - GMVM970804CNBA
M10 - GMVM970804CNBB
M11 - GMVM970804CNBC
M12 - GMVM970804CNBD
M13 - GMVM971005CNBA
M14 - GMVM971005CNBB
M15 - GMVM971005CNBC
M16 - GMVM971005CNBD
M17 - GMVM971205DNBA
M18 - GMVM971205DNBB
M19 - GMVM971205DNBC
M20 - GMVM971205DNBD

SPECIAL PARTS

HIG-2001B	HOMEOWNERS INSTRUCTIONS
0161F00086	NAMEPLATE, GOODMAN

Cabinet Assembly

CABINET ASSEMBLY



DRAIN TRAP ASSEMBLY

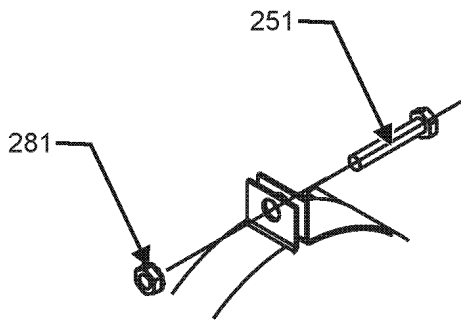
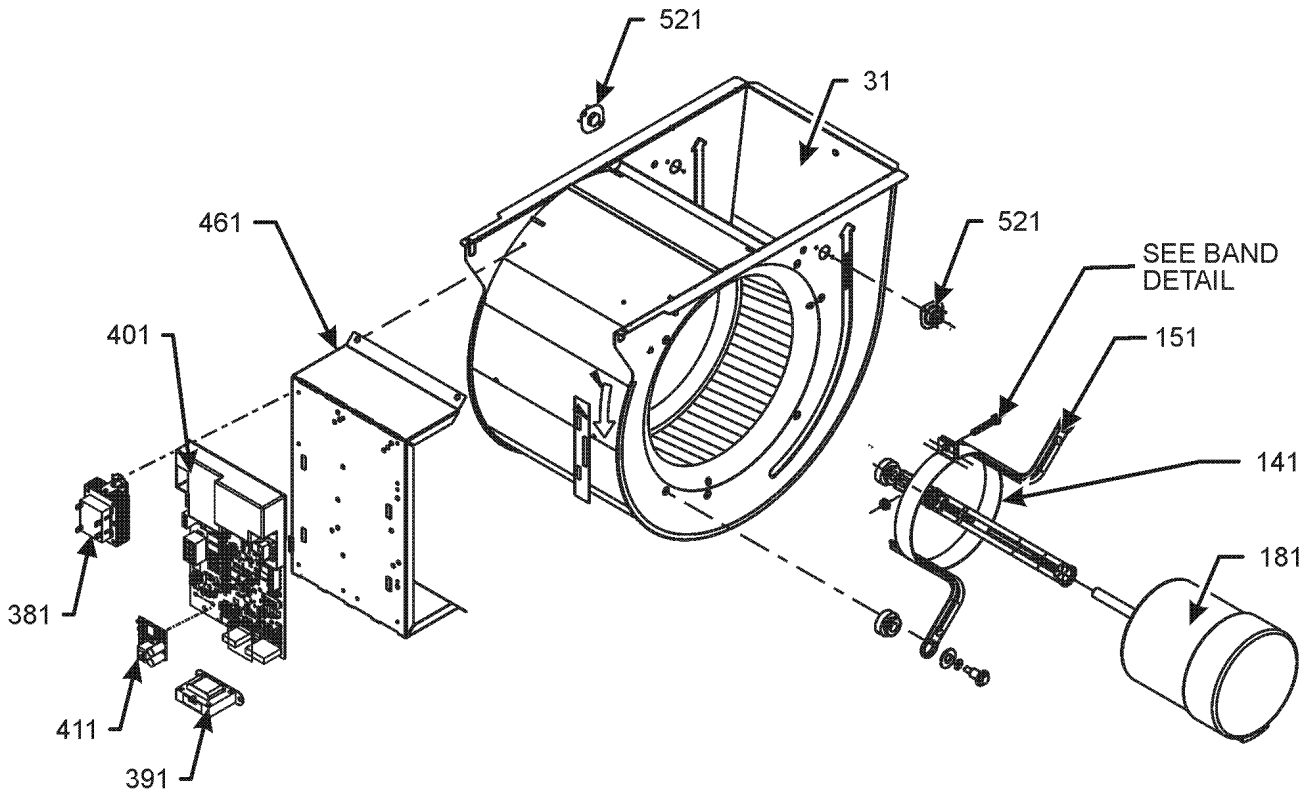
Cabinet Assembly

Ref. Part No:	Description:	Ref. Part No:	Description:
Image 1:		Expanded Model Nomenclature	
111	0154F00024 GASKET (QTY 2)	M1	GMV M970603BNBA
121	0154F00025 GASKET (QTY 2)	M2	GMV M970603BNBB
141	0161F00046 DRAIN TRAP	M3	GMV M970603BNBC
191	0121F00291DG DOOR, ACCESS 17.5 PNT (M1, M2, M3, M4, M5, M6, M7, M8)	M4	GMV M970603BNBD
191	0121F00292DG DOOR, ACCESS 21 PNT (M9, M10, M11, M12, M13, M14, M15, M16)	M5	GMV M970803BNBA
191	0121F00293DG DOOR, ACCESS 24.5 PNT (M17, M18, M19, M20)	M6	GMV M970803BNBB
201	0121F00288DG DOOR, BLOWER 17.5 PNT (M1, M2, M3, M4, M5, M6, M7, M8)	M7	GMV M970803BNBC
201	0121F00289DG DOOR, BLOWER 21 PNT (M9, M10, M11, M12, M13, M14, M15, M16)	M8	GMV M970803BNBD
201	0121F00290DG DOOR, BLOWER 24.5 PNT (M17, M18, M19, M20)	M9	GMV M970804CNBA
281	B1392139 VIEW PORT BUSHING-BLOWER DOOR (QTY 2)	M10	GMV M970804CNBB
311	0154F00020 GASKET, DECK (M1, M2, M3, M4, M5, M6, M7, M8)	M11	GMV M970804CNBC
311	0154F00021 GASKET, DECK (M9, M10, M11, M12, M13, M14, M15, M16)	M12	GMV M970804CNBD
311	0154F00022 GASKET, DECK (M17, M18, M19, M20)	M13	GMV M971005CNBA
341	0164F00017 HOSE-ELBOW/TRAP	M14	GMV M971005CNBB
351	0164F00006 HOSE, COVER/TRAP (M17, M18, M19, M20)	M15	GMV M971005CNBC
351	0164F00024 HOSE, COVER/TRAP (M1, M2, M3, M4, M5, M6, M7, M8, M9, M10, M11, M12, M13, M14, M15, M16)	M16	GMV M971005CNBD
381	0161F00047 COUPLING, HOSE BARBED	M17	GMV M971205DNBA
451	M0501301 PIPE GROMMET	M18	GMV M971205DNBB
491	M0570808 BUTTON PLUG (QTY 3)	M19	GMV M971205DNBC
501	M0570806 BUTTON PLUG	M20	GMV M971205DNBD
511	M0570807 BUTTON PLUG		
521	0161M00027 PLUG, HOLE		
601	B1392021 PLASTIC PLUG, 1" (2713-BLK) (QTY 4)		
741	B1392104 UNIVERSAL BUSHING UB 875		
NS	M0310345 BUTTON PLUG (QTY 2)		
NS	0163M00460 CLAMP-HOSE (QTY 2)		
NS	0270F05402 DRAIN KIT ASSY		
NS	0154F00041 FRESH AIR GASKET (QTY 2)		
NS	0163M00319 HEX-NUT INSERT (QTY 3)		
NS	HIG-2001B HOMEOWNERS INSTRUCTIONS		
NS	0161F00086 NAMEPLATE, GOODMAN		
NS	M0209730 SCREW-DECORATIVE (QTY 3)		
NS	M0273904 SCREW-RETAINER (QTY 3)		

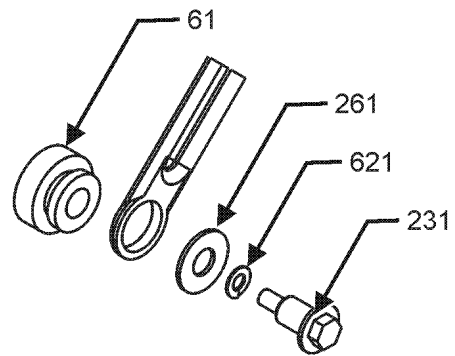
Blower Assembly

BLOWER ASSEMBLY

*If end bells are needed please order the following:
0131M00182 - 1/2 HP
0131M00183 - 3/4 HP
0131M00184 - 1 HP



BAND DETAIL



BLOWER ARM DETAIL

BLOWER ASSEMBLY MAY DIFFER FROM WHAT IS SHOWN

Blower Assembly

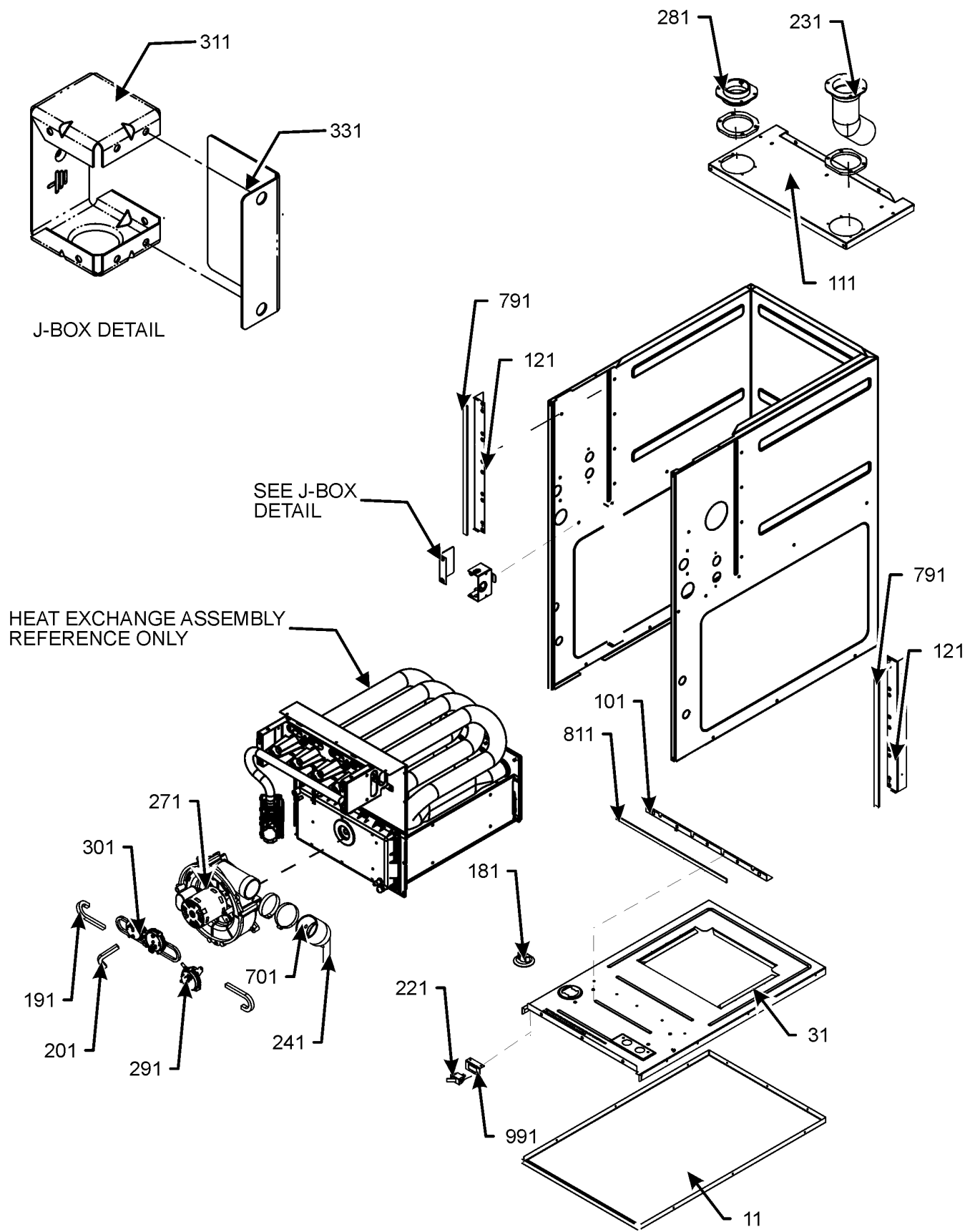
Ref. Part No:	Ref. Part No:	Description:	Description:
Image 1:		Image 1:	
31	0271F00507	MORRISON 11 X 10 BLOWER (M9, M10, M11, M12, M13, M14, M15, M16)	NS 0159F00083 CABLE,RJ12 (M1, M2, M3, M5, M6, M7, M9, M10, M11, M13, M14, M17, M18)
31	0271F00508	MORRISON 11 X 11 BLOWER (M17, M18, M19,	NS 0259F00040 CONTROL HARNESS
31	0271F00506	MORRISON 11 X 8 BLOWER (M1, M2, M3, M4, M5, M6, M7, M8)	NS 0154F00041 GASKET FRESH AIR (QTY 2)
			NS 0259F00279 HARNESS-POWER W/FERRITE (M1, M2, M3, M4, M5, M6, M7, M8)
61	A4002702	BLOWER MOTOR GROMMET (M9, M10, M11, M12, M13, M14, M15, M16, M17, M18, M19, M20)	NS 0259F00041 POWER HARNESS HIGH VOLTAGE (M9, M10, M11, M12, M13, M14, M15, M16, M17, M18, M19, M20)
141	0121M00038	MOTOR MOUNT BAND (M1, M2, M3, M4, M5, M6, M7, M8)	NS 0259F00024 WIRE HARNESS-BLOWER
141	10441601	MOTOR MOUNT BAND (M9, M10, M11, M12, M13, M14, M15, M16, M17, M18, M19, M20)	
151	10441501	MOTOR MOUNT ARM (M9, M10, M11, M12, M13, M14, M15, M16, M17, M18, M19, M20)	
151	B1376857	MOTOR MOUNT ARM (M1, M2, M3, M4, M5, M6, M7, M8)	
181	0131M01011	MOTOR, 1 HP (M16, M20)	
181	0131M00272	MOTOR, 1 HP, SERIAL ECM (M13, M14, M15, M17, M18, M19)	
181	0131M01002	MOTOR, 1/2 HP (M3, M4, M7, M8)	
181	0131M00270	MOTOR, 1/2 HP, SERIAL ECM (M1, M2, M5, M6)	
181	0131M01003	MOTOR, 3/4 HP (M11, M12)	
181	0131M00271	MOTOR, 3/4 HP, SERIAL ECM (M9, M10)	
231	0163F00028	SCREW (M9, M10, M11, M12, M13, M14, M15, M16, M17, M18, M19, M20)	
231	M0250565	TC SCREW 1.25" (M1, M2, M3, M4, M5, M6, M7, M8)	
251	M0267144	MACHINE SCREW (M9, M10, M13, M14, M15, M16, M17, M18, M19, M20)	
251	B1393323	MACHINE SCREW HWH 1/4-20 X 1-1/2 BZ (M1, M2, M3, M4, M5, M6, M7, M8, M11, M12)	
261	B1392918	WASHER, FLAT 1/4 ID X 1 OD (M1, M2, M3, M4, M5, M6, M7, M8)	
261	M0274008	WASHER-FLAT (M9, M10, M11, M12, M13, M14, M15, M16, M17, M18, M19, M20)	
281	M0282015	KEPS NUT (M9, M10, M13, M14, M15, M16, M17, M18, M19, M20)	
281	B1393800	LOCKNUT, NYLON, INSERT 1/4, 20 (M1, M2, M3, M4, M5, M6, M7, M8, M11, M12)	
381	0130M00140	TRANSFORMER,(120V TO 24V,40VA,	
391	0130M00141	INDUCTOR, 5.9 AMPS (M9, M10, M11, M12, M13, M14, M15, M16, M17, M18, M19, M20)	
401	PCBKF204	PCB, FURNACE CONTROL (M1, M2, M3, M5, M6, M7, M9, M10, M11, M13, M14, M17, M18)	
411	PCBCM100	PCB CONTROL (M1, M2, M3, M5, M6, M7, M9, M10, M11, M13, M14, M17, M18)	
411	PCBKF206	PCB, FURNACE CONTROL (M4, M8, M12, M15, M16, M19, M20)	
461	0121F00464	MOUNTING PLATE-CONTROLS	
521	0130F00038	PRIMARY LIMIT - LT BLUE 120° (QTY 2)	
621	B1392820	WASHER, SPLIT LOCK 1/4 BZ (M9, M10, M11, M12, M13, M14, M15, M16, M17, M18, M19, M20)	
NS	SHARED DATA	Available thru CoolCloud HVAC app.	

Expanded Model Nomenclature

M1 - GMV M970603BNBA
M2 - GMV M970603BNBB
M3 - GMV M970603BNBC
M4 - GMV M970603BNBD
M5 - GMV M970803BNBA
M6 - GMV M970803BNBB
M7 - GMV M970803BNBC
M8 - GMV M970803BNBD
M9 - GMV M970804CNBA
M10 - GMV M970804CNBB
M11 - GMV M970804CNBC
M12 - GMV M970804CNBD
M13 - GMV M971005CNBA
M14 - GMV M971005CNBB
M15 - GMV M971005CNBC
M16 - GMV M971005CNBD
M17 - GMV M971205DNBA
M18 - GMV M971205DNBB
M19 - GMV M971205DNBC
M20 - GMV M971205DNBD

*If end bells are needed please order the following:
 0131M00182 - 1/2 HP
 0131M00183 - 3/4 HP
 0131M00184 - 1 HP

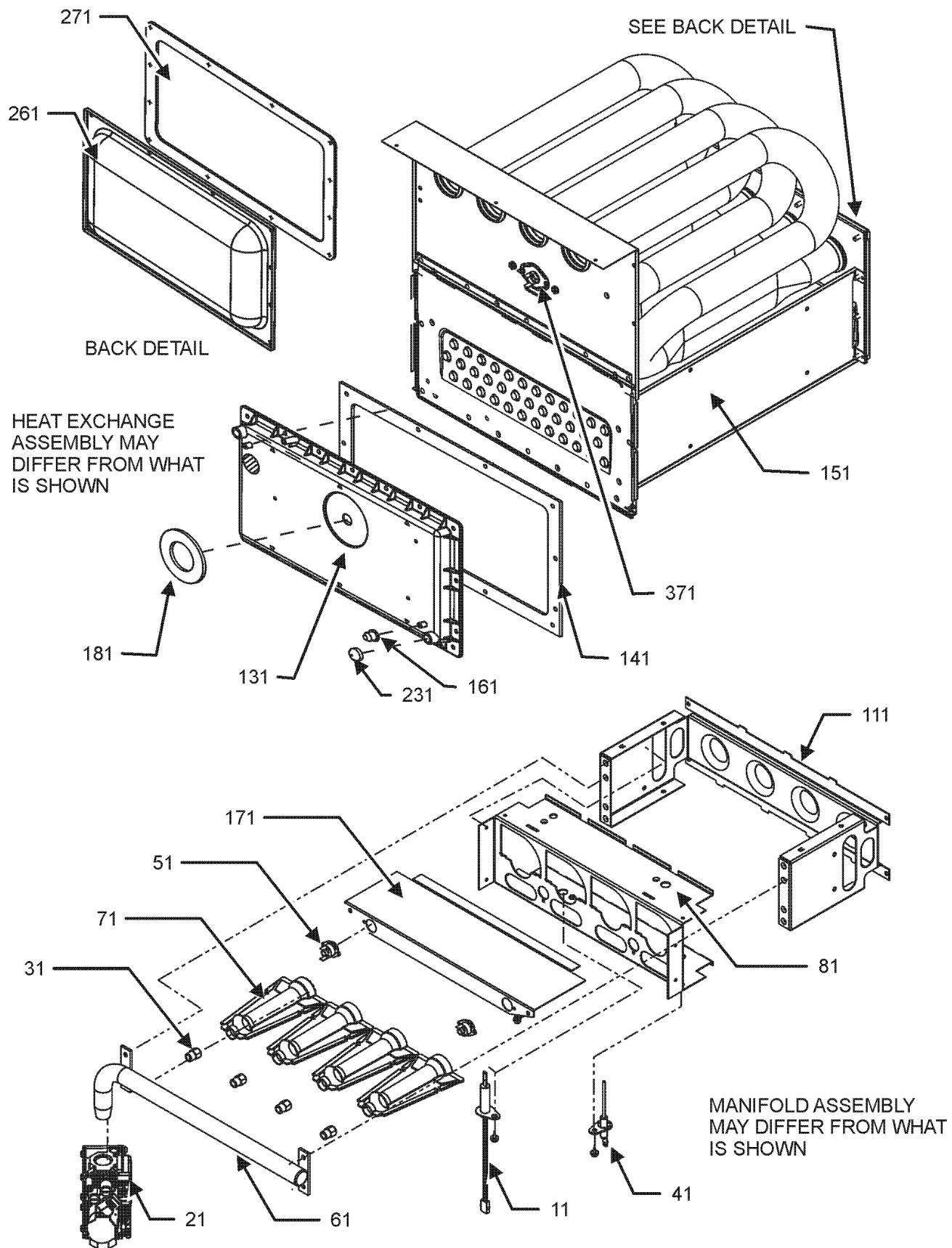
Chassis Assembly



Chassis Assembly

Ref. Part No:	Ref. Part No:	Description:	Description:	
Image 1:		Image 1:		
11	0121F00530DG	BASEPAN, 17.5 (M1, M2, M3, M4, M5, M6, M7, M8)	NS 0160F00017 INSULATION, HT EXCHANGER 24.5" (M17, M18, M19, M20)	
11	0121F00531DG	BASEPAN, 21 PNT (M9, M10, M11, M12, M13, M14, M15, M16)	NS 0160F00012 INSULATION-BACK 17.5" (M1, M2, M3, M4, M5, M6, M7, M8)	
11	0121F00532DG	BASEPAN, 24.5 PNT (M17, M18, M19, M20)	NS 0160F00013 INSULATION-BACK 21" (M9, M10, M11, M12, M13, M14, M15, M16)	
31	0121F00766	DECK- BLOWER 17.5" (M1, M2, M3, M4, M5, M6, M7, M8)	NS 0160F00014 INSULATION-BACK 24.5" (M17, M18, M19, M20)	
31	0121F00767	DECK- BLOWER 21" (M9, M10, M11, M12, M13, M14, M15, M16)	NS 0160F00014 INSULATION-BACK 24.5" (M17, M18, M19, M20)	
31	0121F00768	DECK- BLOWER 24.5" (M17, M18, M19, M20)	Expanded Model Nomenclature	
101	0121F00314	ANGLE, DECK (M1, M2, M3, M4, M5, M6, M7, M8)	M1 - GMV M970603BNBA	
101	0121F00315	ANGLE, DECK (M9, M10, M11, M12, M13, M14, M15, M16)	M2 - GMV M970603BNBB	
101	0121F00316	ANGLE, DECK (M17, M18, M19, M20)	M3 - GMV M970603BNBC	
111	0121F00279DG	PAINTED TOP, FURNACE 17.5 (M1, M2, M3, M4, M5, M6, M7, M8)	M4 - GMV M970603BNBD	
111	0121F00280DG	PAINTED TOP, FURNACE 21 (M9, M10, M11, M12, M13, M14, M15, M16)	M5 - GMV M970803BNBA	
111	0121F00281DG	PAINTED TOP, FURNACE 24.5 (M17, M18, M19, M20)	M6 - GMV M970803BNBB	
121	0121F00313	ANGLE, SIDE (QTY 2)	M7 - GMV M970803BNBC	
181	0159F00107	HARNESS, WIRING (M9, M10, M11, M13, M14, M17, M18)	M8 - GMV M970803BNBD	
181	0159F00108	HARNESS, WIRING (M1, M2, M3, M5, M6, M7)	M9 - GMV M970804CNBA	
181	0159F00122	WIRING HARNESS (M4, M8)	M10 - GMV M970804CNBB	
181	0159F00148	WIRING HARNESS (M12, M15, M16, M19, M20)	M11 - GMV M970804CNBC	
191	0164M00118	HOSE- PRESSURE SW 10" (M9, M10, M11, M12, M13, M14, M15, M16)	M12 - GMV M970804CNBD	
191	0164M00120	HOSE- PRESSURE SW 14" (M17, M18, M19, M20)	M13 - GMV M971005CNBA	
191	0164M00116	HOSE- PRESSURE SW 7" (M1, M2, M3, M4, M5, M6, M7, M8)	M14 - GMV M971005CNBB	
201	0164M00115	HOSE- PRESSURE SW 6"	M15 - GMV M971005CNBC	
221	0130M00243	INTERLOCK SWITCH	M16 - GMV M971005CNBD	
231	0164F00002	FLUE PIPE W/BEND	M17 - GMV M971205DNBA	
241	0164F00025	ELBOW-FLUE,UPFLOW	M18 - GMV M971205DNBB	
271	0171M00009	MOTOR, ID BLOWER	M19 - GMV M971205DNBC	
281	0161F00037	COUPLING	M20 - GMV M971205DNBD	
291	0130F00429	SWITCH, PRESSURE		
301	0130F00722	PRESSURE SWITCH (M9, M10, M11, M12)		
301	0130F00723	PRESSURE SWITCH (M1, M2, M3, M4)		
301	0130F00724	PRESSURE SWITCH (M5, M6, M7, M8)		
301	0130F00725	PRESSURE SWITCH (M13, M14, M15, M16)		
301	0130F00726	PRESSURE SWITCH (M17, M18, M19, M20)		
311	0161F00042	JUNCTION BOX PLA		
331	0161F00043	JUNCTION BOX LID		
701	M0326804	PLUG-TUBE		
791	0154F00015	GASKET (QTY 2)		
811	0154F00014	GASKET (M1, M2, M3, M4, M5, M6, M7, M8)		
811	0154F00016	GASKET (M9, M10, M11, M12, M13, M14, M15, M16)		
811	20194607	GASKET (M17, M18, M19, M20)		
991	0121F00389	BRACKET, DOOR SWITCH		
NS	0160F00015	INSULATION, HT EXCHANGER 17.5" (M1, M2, M3, M4, M5, M6, M7, M8)		
NS	0160F00016	INSULATION, HT EXCHANGER 21" (M9, M10, M11, M12, M13, M14, M15, M16)		

Heat Exchange Assembly



Heat Exchange Assembly

Ref. Part No:	Ref. Part No:	Description:	Description:
Image 1:		Image 1:	
11	0130F00008	IGNITOR-SINI 17 SEC	371 20162904 *PRIMARY LIMIT-TEMPERATURE CONTROL (M17, M18, M19, M20)
21	0151M00092	GAS VALVE, WR MOD	371 20162903 PRIMARY LIMIT - BLUE (M9, M10, M11, M12, M13, M14, M15, M16)
31	10716005	ORIFICE, #45 DRILL (QTY 3)	371 0130F00036 PRIMARY LIMIT - PINK (M1, M2, M3, M4)
41	0130F00010	FLAME SENSOR	371 20162906 PRIMARY LIMIT - WHITE (M5, M6, M7, M8)
51	10123529	MANUAL RESET LIMIT (QTY 2)	
61	0163F00008	MANIFOLD (M1, M2, M3, M4)	
61	0163F00009	MANIFOLD (M9, M10, M11, M12)	
61	0163F00010	MANIFOLD (M13, M14, M15, M16)	
61	0163F00011	MANIFOLD (M17, M18, M19, M20)	
61	0163F00014	MANIFOLD (M5, M6, M7, M8)	
71	0163F00017	BECKETT BURNER (QTY 3)	
81	0121F00455	BRACKET-BURNER 3 (M1, M2, M3, M4)	
81	0121F00454	BRACKET-BURNER 4 (M5, M6, M7, M8, M9, M10, M11, M12)	
81	0121F00453	BRACKET-BURNER 5 (M13, M14, M15, M16)	
81	0121F00451	BRACKET-BURNER 6 (M17, M18, M19, M20)	
111	0121F00458	ORIFICE BRACKET-BURNER 3 (M1, M2, M3, M4)	
111	0121F00457	ORIFICE BRACKET-BURNER 4 (M5, M6, M7, M8, M9, M10, M11, M12)	
111	0121F00452	ORIFICE BRACKET-BURNERS 5 (M13, M14, M15, M16)	
111	0121F00447	ORIFICE BRACKET-BURNERS 6 (M17, M18, M19, M20)	
131	0161F00018	COVER, FRONT (M13, M14, M15, M16)	
131	0161F00031	COVER, FRONT (M5, M6, M7, M8)	
131	0161F00056	COVER, FRONT (M1, M2, M3, M4)	
131	0161F00065	COVER, FRONT (M9, M10, M11, M12)	
131	0161F00066	COVER, FRONT (M17, M18, M19, M20)	
141	0154F00026	GASKET FRONT COVER (M1, M2, M3, M4, M5, M6, M7, M8)	
141	0154F00030	GASKET FRONT COVER (M9, M10, M11, M12, M13, M14, M15, M16)	
141	0154F00034	GASKET FRONT COVER (M17, M18, M19, M20)	
151	0257F00260	HEAT EXCHANGER ASSY (M13, M14, M15, M16)	
151	0257F00237	HEAT EXCHANGER ASSY (M1, M2, M3, M4)	
151	0257F00238	HEAT EXCHANGER ASSY (M9, M10, M11, M12)	
151	0257F00254	HEAT EXCHANGER ASSY (M5, M6, M7, M8)	
151	0257F00257	HEAT EXCHANGER ASSY (M17, M18, M19, M20)	
161	M0326804	TUBE PLUG	
171	0121F00540	SHEILD, BURNER (M1, M2, M3, M4)	
171	0121F00541	SHEILD, BURNER (M5, M6, M7, M8, M9, M10, M11, M12)	
171	0121F00542	SHEILD, BURNER (M13, M14, M15, M16)	
171	0121F00543	SHEILD, BURNER (M17, M18, M19, M20)	
181	0154F00043	GASKET ID BLOWER	
231	A1781105	CAP-VINYL .500	
261	0121F00317	COVER, REAR (M1, M2, M3, M4, M5, M6, M7, M8)	
261	0121F00318	COVER, REAR (M9, M10, M11, M12, M13, M14, M15, M16)	
261	0121F00319	COVER, REAR (M17, M18, M19, M20)	
271	0154F00037	GASKET, REAR CVR (M1, M2, M3, M4, M5, M6, M7, M8)	
271	0154F00038	GASKET, REAR CVR (M9, M10, M11, M12, M13, M14, M15, M16)	
271	0154F00039	GASKET, REAR CVR (M17, M18, M19, M20)	

Expanded Model Nomenclature

M1 - GMVM970603BNBA
M2 - GMVM970603BNBB
M3 - GMVM970603BNBC
M4 - GMVM970603BNBD
M5 - GMVM970803BNBA
M6 - GMVM970803BNBB
M7 - GMVM970803BNBC
M8 - GMVM970803BNBD
M9 - GMVM970804CNBA
M10 - GMVM970804CNBB
M11 - GMVM970804CNBC
M12 - GMVM970804CNBD
M13 - GMVM971005CNBA
M14 - GMVM971005CNBB
M15 - GMVM971005CNBC
M16 - GMVM971005CNBD
M17 - GMVM971205DNBA
M18 - GMVM971205DNBB
M19 - GMVM971205DNBC
M20 - GMVM971205DNBD