



# REPAIR PARTS

## GMVC 96% Two Stage Variable Speed UF Furnace

GMVC960403BNBA  
GMVC960403BNBB  
GMVC960403BNBC  
GMVC960603BNBA  
GMVC960603BNBB  
GMVC960603BNBC  
GMVC960803BNBA  
GMVC960803BNBB  
GMVC960803BNBC  
GMVC960804CNBA  
GMVC960804CNBB  
GMVC960804CNBC  
GMVC961005CNBA  
GMVC961005CNBB  
GMVC961005CNBC  
GMVC961005DNBA  
GMVC961005DNBB  
GMVC961205DNBA  
GMVC961205DNBB  
GMVC961205DNBC



This manual is to be used by qualified technicians only.

This manual replaces RP-G2315B.

© 2018, 2020 - 2023 Goodman Manufacturing Company, L.P. ♦ 19001 Kermier Rd. ♦ Waller, TX 77484

# Important Information

---

## Index

Functional Parts List .....	3
Illustration and Parts .....	4 - 11

*Views shown are for parts illustrations only, not servicing procedures.*

### Text Codes:

AR - As Required

NA - Not Available

NS - Not Shown

00000000 - See Note

QTY - Quantity Example (QTY 3) (If Quantity not shown, Quantity = 1)

M - Model Example (M1) (If M Code not shown, then part is used on all Models)

### Expanded Model Nomenclature:

Example M1 - Model#1 M2 - Model#2 M3 - Model#3
---

Goodman Manufacturing Company, L.P. is not responsible for personal injury or property damage resulting from improper service. Review all service information before beginning repairs.

Warranty service must be performed by an authorized technician, using authorized factory parts. If service is required after the warranty expires, Goodman Manufacturing Company, L.P. also recommends contacting an authorized technician and using authorized factory parts.

Goodman Manufacturing Company, L.P. reserves the right to discontinue, or change at any time, specifications or designs without notice or without incurring obligations.

For assistance within the U.S.A. contact:  
Homeowner Support  
Goodman Manufacturing Company, L.P.  
19001 Kermier Road  
Waller, Texas 77484  
877-254-4729-Telephone  
713-863-2382-Facsimile

For assistance outside the U.S.A. contact:  
International Division  
Goodman Manufacturing Company, L.P.  
19001 Kermier Road  
Waller, Texas 77484  
713-861-2500-Telephone  
713-863-2382-Facsimile

# Functional Parts

## Part

## No: Description:

Part No:	Description:	Part No:	Description:
20162904	*PRIMARY LIMIT-TEMPERATURE CONTROL (M1, M2, M3, M7, M8, M9, M10, M11, M12)	0150M00043	WHEEL, BLOWER 10X8 (M1, M2, M3)
0130F00038	AUX LIMIT - LT BLUE 120° (QTY 2)		
SHARED DATA	Available thru CoolCloud HVAC app.	<b>SPECIAL PARTS</b>	
0163F00017	BECKETT BURNER (QTY 2)	0161F00086	NAMEPLATE, GOODMAN
0271F00462	BLOWER HOUSING ASSY (M1, M2, M3)	<b>Expanded Model Nomenclature</b>	
0130F00010	FLAME SENSOR	M1 - GMVC960403BNBA	
0151M00027	GAS VALVE	M2 - GMVC960403BNBB	
0257F00374	HEAT EXCHANGER ASSY (M4, M5, M6)	M3 - GMVC960403BNBC	
0257F00333	HEAT EXCHANGER ASSY (M18, M19, M20)	M4 - GMVC960603BNBA	
0257F00280	HEAT EXCHANGER ASSY (M13, M14, M15)	M5 - GMVC960603BNBB	
0257F00240	HEAT EXCHANGER ASSY (M10, M11, M12)	M6 - GMVC960603BNBC	
0257F00239	HEAT EXCHANGER ASSY (M7, M8, M9)	M7 - GMVC960803BNBA	
0257F00236	HEAT EXCHANGER ASSY (M1, M2, M3)	M8 - GMVC960803BNBB	
0257F00440	HEAT EXCHANGER ASSY. (M16, M17)	M9 - GMVC960803BNBC	
0130F00008	IGNITOR-SINI 17 SEC	M10 - GMVC960804CNBA	
0130M00141	INDUCTOR, 5.9 AMPS (M10, M11, M12, M13, M14, M15, M16, M17, M18, M19, M20)	M11 - GMVC960804CNBB	
0130M00243	INTERLOCK SWITCH	M12 - GMVC960804CNBC	
10123527	MANUAL RESET LIMIT (M16, M17, M18, M19, M20)	M13 - GMVC961005CNBA	
0130F00123	MANUAL RESET LIMIT (M7, M8, M9, M10, M11, M12)	M14 - GMVC961005CNBB	
10123534	MANUAL RESET LIMIT 220°F (M13, M14, M15)	M15 - GMVC961005CNBC	
10123539	MANUAL RESET LIMIT-ORANGE (M1, M2, M3, M4, M5, M6)	M16 - GMVC961005DNBA	
0271F00507	MORRISON 11 X 10 BLOWER (M10, M11, M12, M13, M14, M15)	M17 - GMVC961005DNBB	
0271F00508	MORRISON 11 X 11 BLOWER (M16, M17, M18, M19, M20)	M18 - GMVC961205DNBA	
0271F00506	MORRISON 11 X 8 BLOWER (M4, M5, M6, M7, M8, M9)	M19 - GMVC961205DNBB	
0131M01011	MOTOR, 1 HP (M15, M20)	M20 - GMVC961205DNBC	
0131M00272	MOTOR, 1 HP, SERIAL ECM (M13, M14, M16, M17, M18, M19)		
0131M01002	MOTOR, 1/2 HP (M3, M6, M9)		
0131M00270	MOTOR, 1/2 HP, SERIAL ECM (M1, M2, M4, M5, M7, M8)		
0131M01003	MOTOR, 3/4 HP (M12)		
0131M00271	MOTOR, 3/4 HP, SERIAL ECM (M10, M11)		
0171M00002	MOTOR-ID, BLOWER		
PCBKF109	PCB, CONTROL BOARD (M2, M3, M5, M6, M8, M9, M11, M12, M14, M15, M17, M19, M20)		
PCBKF107	PCB, CONTROL BOARD (M1, M4, M7, M10, M13, M16, M18)		
0130F00433	PRESSURE SWITCH (M1, M2, M3, M4, M5, M6)		
0130F00485	PRESSURE SWITCH (M1, M2, M3)		
0130F00434	PRESSURE SWITCH (M13, M14, M15)		
0130F00436	PRESSURE SWITCH (M7, M8, M9, M10, M11, M12)		
0130F00443	PRESSURE SWITCH (M16, M17, M18, M19, M20)		
0130F00429	PRESSURE SWITCH (M4, M5, M6, M7, M8, M9, M10, M11, M12, M13, M14, M15, M16, M17, M18, M19, M20)		
0130F00036	PRIMARY LIMIT - PINK 180° (M16, M17, M18, M19, M20)		
20162906	PRIMARY LIMIT - WHITE (M4, M5, M6, M13, M14, M15)		
0130M00140	TRANSFORMER 120V TO 24V, 40VA		

# Cabinet Assembly

IMAGE 1

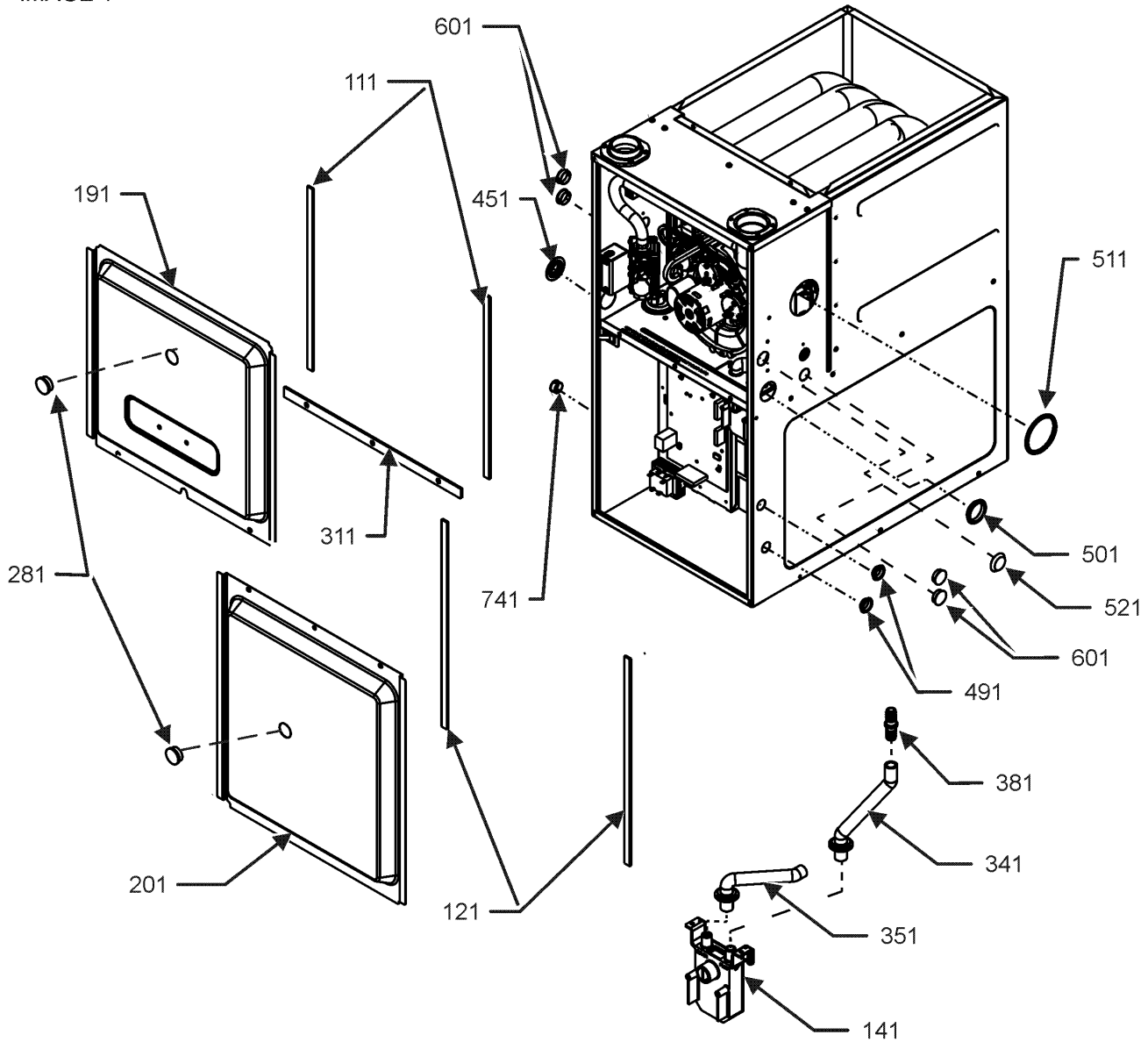
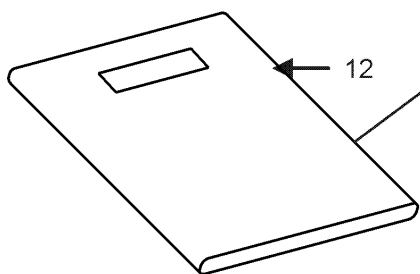
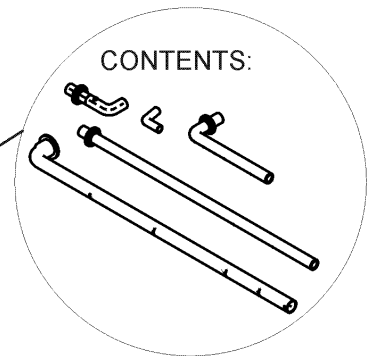
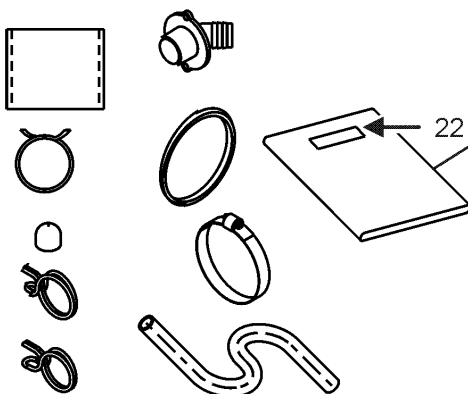


IMAGE 2



CONTENTS:



# Cabinet Assembly

Ref. Part No:	Ref. Part No:	Description:	Description:
<b>Image 1:</b>		<b>Expanded Model Nomenclature</b>	
111	0154F00024	GASKET (QTY 2)	M1 - GMVC960403BNBA
121	0154F00025	GASKET (QTY 2)	M2 - GMVC960403BNBB
141	0161F00046	DRAIN TRAP	M3 - GMVC960403BNBC
191	0121F00291DG	DOOR, ACCESS 17.5 PNT (M1, M2, M3, M4, M5, M6, M7, M8, M9)	M4 - GMVC960603BNBA
191	0121F00292DG	DOOR, ACCESS 21 PNT (M10, M11, M12, M13, M14, M15)	M5 - GMVC960603BNBB
191	0121F00293DG	DOOR, ACCESS 24.5 PNT (M16, M17, M18, M19, M20)	M6 - GMVC960603BNBC
201	0121F00288DG	DOOR, BLOWER 17.5 PNT (M1, M2, M3, M4, M5, M6, M7, M8, M9)	M7 - GMVC960803BNBA
201	0121F00289DG	DOOR, BLOWER 21 PNT (M10, M11, M12, M13, M14, M15)	M8 - GMVC960803BNBB
201	0121F00290DG	DOOR, BLOWER 24.5 PNT (M16, M17, M18, M19, M20)	M9 - GMVC960803BNBC
281	B1392139	VIEW PORT BUSHING-BLOWER DOOR (QTY 2)	M10 - GMVC960804CNBA
311	0154F00020	GASKET, DECK (M1, M2, M3, M4, M5, M6, M7, M8, M9)	M11 - GMVC960804CNBB
311	0154F00021	GASKET, DECK (M10, M11, M12, M13, M14, M15)	M12 - GMVC960804CNBC
311	0154F00022	GASKET, DECK (M16, M17, M18, M19, M20)	M13 - GMVC961005CNBA
341	0164F00017	HOSE-ELBOW/TRAP	M14 - GMVC961005CNBB
351	0164F00006	HOSE, COVER/TRAP (M18, M19, M20)	M15 - GMVC961005CNBC
351	0164F00024	HOSE, COVER/TRAP (M1, M2, M3, M4, M5, M6, M7, M8, M9, M10, M11, M12, M13, M14, M15, M16, M17)	M16 - GMVC961005DNBA
381	0161F00047	COUPLING, HOSE BARBED	M17 - GMVC961005DNBB
451	M0501301	PIPE GROMMET	M18 - GMVC961205DNBA
491	M0570808	BUTTON PLUG (QTY 3)	M19 - GMVC961205DNBB
501	M0570806	BUTTON PLUG	M20 - GMVC961205DNBC
511	M0570807	BUTTON PLUG	
521	0161M00027	PLUG, HOLE	
601	B1392021	PLASTIC PLUG, 1" (2713-BLK) (QTY 4)	
741	B1392104	UNIVERSAL BUSHING UB 875	
NS	M0310345	BUTTON PLUG (QTY 2)	
NS	0163M00460	CLAMP-HOSE (QTY 2)	
NS	0163M00319	HEX NUT-INSERT (QTY 3)	
NS	0161F00086	NAMEPLATE, GOODMAN	
NS	M0273904	RETAINER-SCREW (QTY 3)	
NS	M0209730	SCREW-DECORATIVE (QTY 3)	
<b>Image 2:</b>			
12	0270F05402	DRAIN KIT ASSY	
22	0270F05402	DRAIN KIT ASSY	

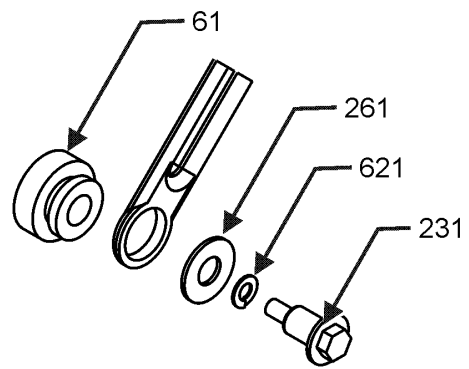
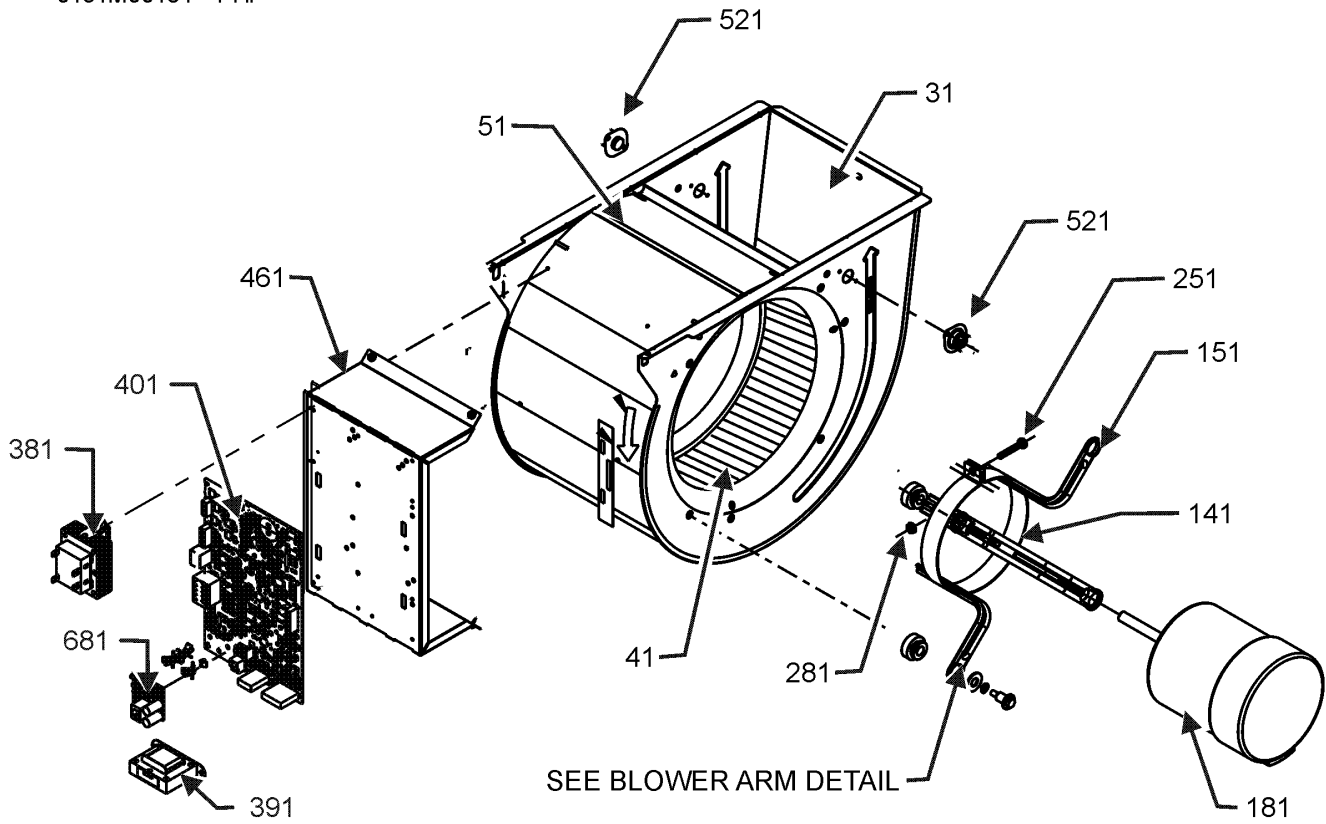
# Blower Assembly

\*If end bells are needed please order the following:

0131M00182 - 1/2 HP

0131M00183 - 3/4 HP

0131M00184 - 1 HP

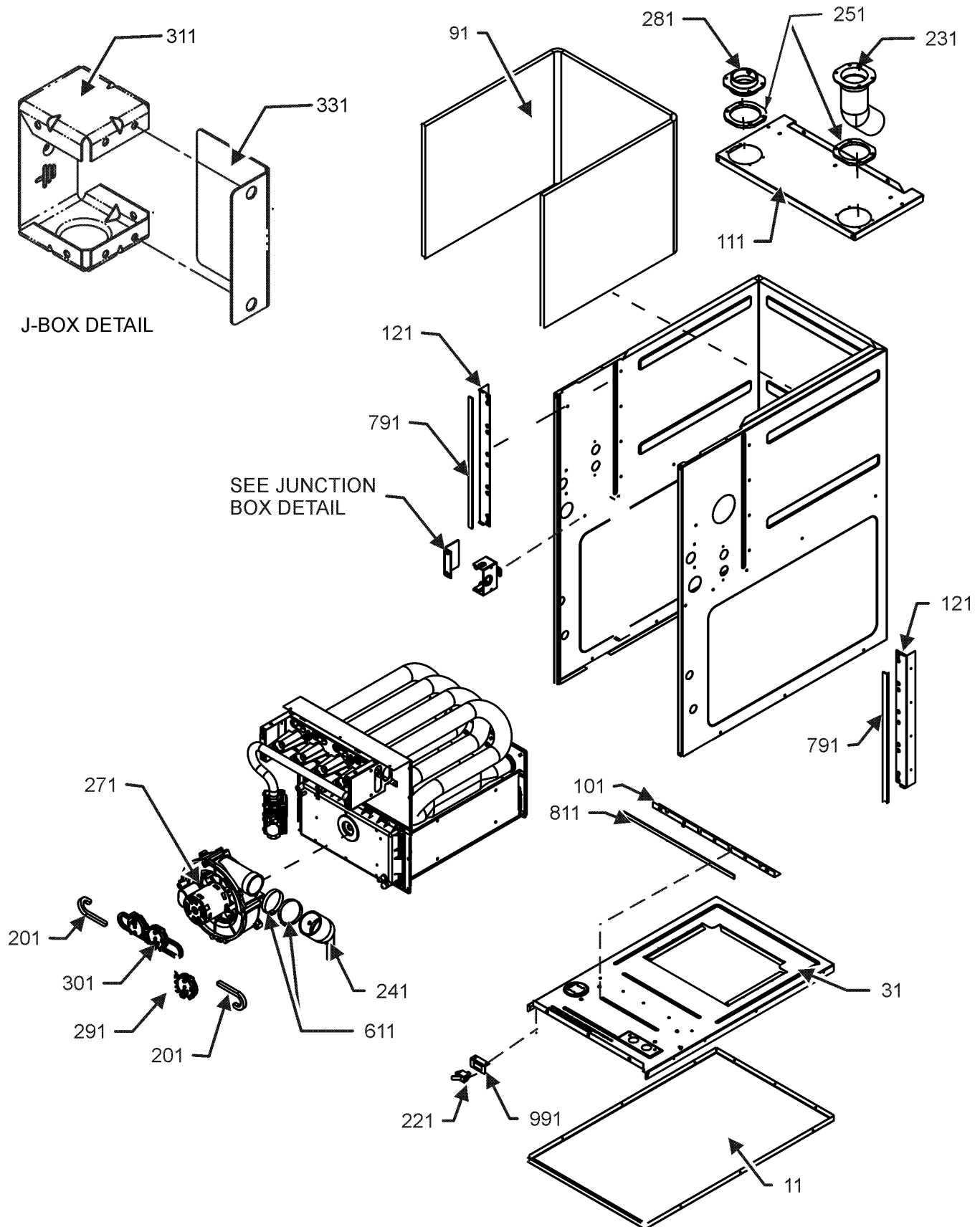


BLOWER ARM DETAIL

# Blower Assembly

Ref. Part No:	Ref. Part No:	Description:	Description:	
<b>Image 1:</b>		<b>Image 1:</b>		
31	0271F00462	BLOWER HOUSING ASSY (M1, M2, M3)	621 B1392820 WASHER, SPLIT LOCK 1/4 BZ (M10, M11, M12, M13, M14, M15, M16, M17, M18, M19, M20)	
31	0271F00507	MORRISON 11 X 10 BLOWER (M10, M11, M12, M13, M14, M15)	681 PCBCM100 PCB CONTROL (M1, M4, M7, M10, M13, M16, M18)	
31	0271F00508	MORRISON 11 X 11 BLOWER (M16, M17, M18, M19, M20)	NS SHARED DATA Available thru CoolCloud HVAC app.	
31	0271F00506	MORRISON 11 X 8 BLOWER (M4, M5, M6, M7, M8, M9)	NS 0159F00083 CABLE, RJ12 (M1, M4, M7, M10, M13, M16, M18)	
41	0150M00043	WHEEL, BLOWER 10X8 (M1, M2, M3)	NS 0259F00040 CONTROL HARNESS	
51	764740	BLOWER BLOCK-OFF 10 X 8 (M1, M2, M3)	NS B1392021 PLASTIC PLUG, 1" (2713-BLK) (QTY 4)	
61	A4002702	BLOWER MOTOR GROMMET (M10, M11, M12, M13, M14, M15, M16, M17, M18, M19, M20)	NS 0259F00041 POWER HARNESS HIGH VOLTAGE	
141	0121M00038	MOTOR MOUNT BAND (M1, M2, M3, M4, M5, M6, M7, M8, M9)	NS 0259F00024 WIRE HARNESS-BLOWER	
141	10441601	MOTOR MOUNT BAND (M10, M11, M12, M13, M14, M15, M16, M17, M18, M19, M20)	<b>Expanded Model Nomenclature</b>	
151	10441501	MOTOR MOUNT ARM (M10, M11, M12, M13, M14, M15, M16, M17, M18, M19, M20)	M1 - GMVC960403BNBA	
151	B1376857	MOTOR MOUNT ARM (M1, M2, M3, M4, M5, M6, M7, M8, M9)	M2 - GMVC960403BNBB	
181	0131M01011	MOTOR, 1 HP (M15, M20)	M3 - GMVC960403BNBC	
181	0131M00272	MOTOR, 1 HP, SERIAL ECM (M13, M14, M16, M17, M18, M19)	M4 - GMVC960603BNBA	
181	0131M01002	MOTOR, 1/2 HP (M3, M6, M9)	M5 - GMVC960603BNBB	
181	0131M00270	MOTOR, 1/2 HP, SERIAL ECM (M1, M2, M4, M5, M7, M8)	M6 - GMVC960603BNBC	
181	0131M01003	MOTOR, 3/4 HP (M12)	M7 - GMVC960803BNBA	
181	0131M00271	MOTOR, 3/4 HP, SERIAL ECM (M10, M11)	M8 - GMVC960803BNBB	
231	0163F00028	SCREW (M10, M11, M12, M13, M14, M15, M16, M17, M18, M19, M20)	M9 - GMVC960803BNBC	
231	M0250565	TC SCREW 1.25" (M1, M2, M3, M4, M5, M6, M7, M8, M9)	M10 - GMVC960804CNBA	
251	M0267144	MACHINE SCREW (M10, M11, M13, M14, M15, M16, M17, M18, M19, M20)	M11 - GMVC960804CNBB	
251	B1393323	MACHINE SCREW HWH 1/4-20 X 1-1/2 BZ (M1, M2, M3, M4, M5, M6, M7, M8, M9, M12)	M12 - GMVC960804CNBC	
261	B1392918	WASHER, FLAT 1/4 ID X 1 OD (M1, M2, M3, M4, M5, M6, M7, M8, M9)	M13 - GMVC961005CNBA	
261	M0274008	WASHER-FLAT (M10, M11, M12, M13, M14, M15, M16, M17, M18, M19, M20)	M14 - GMVC961005CNBB	
281	M0282015	KEPS NUT (M10, M11, M13, M14, M15, M16, M17, M18, M19, M20)	M15 - GMVC961005CNBC	
281	B1393800	LOCKNUT, NYLON, INSERT 1/4, 20 (M1, M2, M3, M4, M5, M6, M7, M8, M9, M12)	M16 - GMVC961005DNBA	
381	0130M00140	TRANSFORMER 120V TO 24V, 40VA	M17 - GMVC961005DNBB	
391	0130M00141	INDUCTOR, 5.9 AMPS (M10, M11, M12, M13, M14, M15, M16, M17, M18, M19, M20)	M18 - GMVC961205DNBA	
401	PCBKF107	PCB, CONTROL BOARD (M1, M4, M7, M10, M13, M16, M18)	M19 - GMVC961205DNBB	
401	PCBKF109	PCB, CONTROL BOARD (M2, M3, M5, M6, M8, M9, M11, M12, M14, M15, M17, M19, M20)	M20 - GMVC961205DNBC	
461	0121F00464	MOUNTING PLATE-CONTROLS	*If end bells are needed please order the following:	
521	0130F00038	AUX LIMIT - LT BLUE 120° (QTY 2)	0131M00182 - 1/2 HP	
			0131M00183 - 3/4 HP	
			0131M00184 - 1 HP	

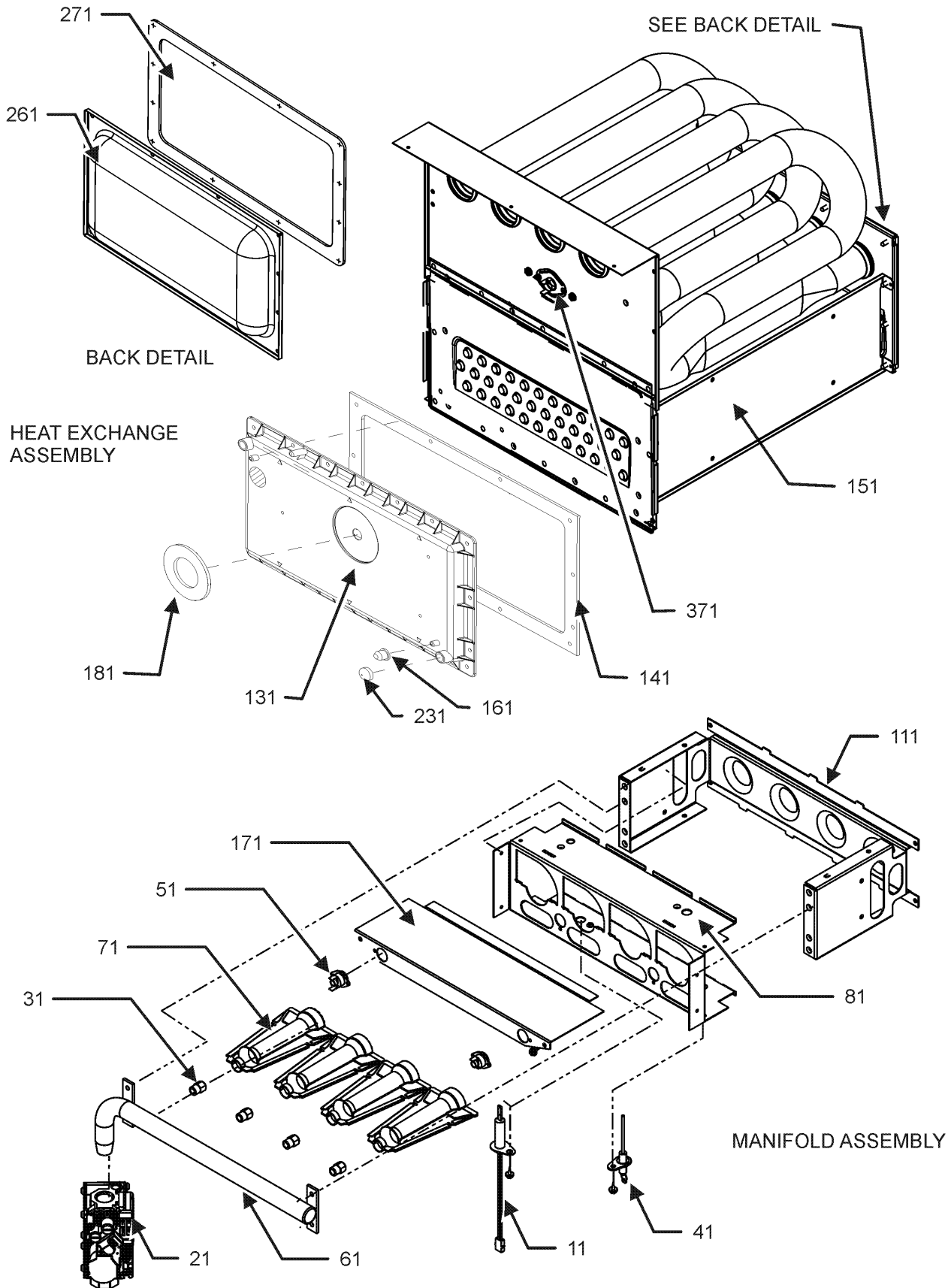
# Chassis Assembly



# Chassis Assembly

Ref. Part No:	Ref. Part No:	Description:	Description:
<b>Image 1:</b>		<b>Expanded Model Nomenclature</b>	
11	0121F00530DG	BASEPAN, 17.5 PNT (M1, M2, M3, M4, M5, M6, M7, M8, M9)	M1 - GMVC960403BNBA M2 - GMVC960403BNBB
11	0121F00531DG	BASEPAN, 21 PNT (M10, M11, M12, M13, M14, M15)	M3 - GMVC960403BNBC
11	0121F00532DG	BASEPAN, 24.5 PNT (M16, M17, M18, M19, M20)	M4 - GMVC960603BNBA M5 - GMVC960603BNBB
31	0121F00766	DECK- BLOWER 17.5" (M1, M2, M3, M4, M5, M6, M7, M8, M9)	M6 - GMVC960603BNBC
31	0121F00767	DECK- BLOWER 21" (M10, M11, M12, M13, M14, M15)	M7 - GMVC960803BNBA
31	0121F00768	DECK- BLOWER 24.5" (M16, M17, M18, M19, M20)	M8 - GMVC960803BNBB
91	0160F00015	INSULATION, HT EXCHANGER 17.5" (M1, M2, M3, M4, M5, M6, M7, M8, M9)	M9 - GMVC960803BNBC
91	0160F00016	INSULATION, HT EXCHANGER 21" (M10, M11, M12, M13, M14, M15)	M10 - GMVC960804CNBA M11 - GMVC960804CNBB
91	0160F00017	INSULATION, HT EXCHANGER 24.5" (M16, M17, M18, M19, M20)	M12 - GMVC960804CNBC
101	0121F00314	ANGLE, DECK (M1, M2, M3, M4, M5, M6, M7, M8, M9)	M13 - GMVC961005CNBA M14 - GMVC961005CNBB
101	0121F00315	ANGLE, DECK (M10, M11, M12, M13, M14, M15)	M15 - GMVC961005CNBC
101	0121F00316	ANGLE, DECK (M16, M17, M18, M19, M20)	M16 - GMVC961005DNBA M17 - GMVC961005DNBB
111	0121F00279DG	PAINTED TOP, FURNACE 17.5 (M1, M2, M3, M4, M5, M6, M7, M8, M9)	M18 - GMVC961205DNBA M19 - GMVC961205DNBB
111	0121F00280DG	PAINTED TOP, FURNACE 21 (M10, M11, M12, M13, M14, M15)	M20 - GMVC961205DNBC
111	0121F00281DG	PAINTED TOP, FURNACE 24.5 (M16, M17, M18, M19, M20)	
121	0121F00313	ANGLE, SIDE (QTY 2)	
201	0164M00115	HOSE- PRESSURE SW 6" (QTY 2)	
221	0130M00243	INTERLOCK SWITCH	
231	0164F00002	FLUE PIPE W/BEND	
241	0164F00025	ELBOW-FLUE,UPFLOW	
251	0154F00041	FRESH AIR GASKET (QTY 2)	
271	0171M00002	MOTOR-ID, BLOWER	
281	0161F00037	COUPLING	
291	0130F00429	PRESSURE SWITCH (M4, M5, M6, M7, M8, M9, M10, M11, M12, M13, M14, M15, M16, M17, M18, M19, M20)	
291	0130F00485	PRESSURE SWITCH (M1, M2, M3)	
301	0130F00433	PRESSURE SWITCH (M1, M2, M3, M4, M5, M6)	
301	0130F00434	PRESSURE SWITCH (M13, M14, M15)	
301	0130F00436	PRESSURE SWITCH (M7, M8, M9, M10, M11, M12)	
301	0130F00443	PRESSURE SWITCH (M16, M17, M18, M19, M20)	
311	0161F00042	JUNCTION BOX PLA	
331	0161F00043	JUNCTION BOX LID	
611	0163M00460	CLAMP HOSE (QTY 2)	
791	0154F00015	GASKET (QTY 2)	
811	0154F00014	GASKET (M1, M2, M3, M4, M5, M6, M7, M8, M9)	
811	0154F00016	GASKET (M10, M11, M12, M13, M14, M15)	
811	20194607	GASKET (M16, M17, M18, M19, M20)	
991	0121F00389	BRACKET, DOOR SWITCH	
NS	0259F00040	CONTROL HARNESS	
NS	M0326804	PLUG-TUBE	
NS	0259F00041	POWER HARNESS HIGH VOLTAGE	
NS	0259F00024	WIRE HARNESS-BLOWER	

# Heat Exchange Assembly



# Heat Exchange Assembly

Ref. Part No:	No:	Description:	Ref. Part No:	No:	Description:
<b>Image 1:</b>			<b>Image 1:</b>		
11	0130F00008	IGNITOR-SINI 17 SEC	181	0154F00043	GASKET ID BLOWER
21	0151M00027	GAS VALVE	231	A1781105	CAP-VINYL .500
31	10716005	ORIFICE (QTY 2)	261	0121F00317	COVER, REAR (M1, M2, M3, M4, M5, M6, M7, M8, M9)
41	0130F00010	FLAME SENSOR	261	0121F00318	COVER, REAR (M10, M11, M12, M13, M14, M15)
51	0130F00123	MANUAL RESET LIMIT (M7, M8, M9, M10, M11, M12)	261	0121F00319	COVER, REAR (M16, M17, M18, M19, M20)
51	10123527	MANUAL RESET LIMIT (M16, M17, M18, M19, M20)	271	0154F00037	GASKET, REAR CVR (M1, M2, M3, M4, M5, M6, M7, M8, M9)
51	10123534	MANUAL RESET LIMIT 220°F (M13, M14, M15)	271	0154F00038	GASKET, REAR CVR (M10, M11, M12, M13, M14, M15)
51	10123539	MANUAL RESET LIMIT-ORANGE (M1, M2, M3, M4, M5, M6)	271	0154F00039	GASKET, REAR CVR (M16, M17, M18, M19, M20)
61	0163F00007	MANIFOLD (M1, M2, M3)	371	20162904	*PRIMARY LIMIT-TEMPERATURE CONTROL (M1, M2, M3, M7, M8, M9, M10, M11, M12)
61	0163F00008	MANIFOLD (M4, M5, M6)	371	0130F00036	PRIMARY LIMIT - PINK 180° (M16, M17, M18, M19, M20)
61	0163F00009	MANIFOLD (M10, M11, M12)	371	20162906	PRIMARY LIMIT - WHITE (M4, M5, M6, M13, M14, M15)
61	0163F00010	MANIFOLD (M13, M14, M15, M16, M17)	NS	0121F00415	AIR FURN BAFFLE
61	0163F00011	MANIFOLD (M18, M19, M20)	NS	0121F00583	INSULATION, RETAINER (M1, M2, M3, M4, M5, M6, M7, M8, M9)
61	0163F00014	MANIFOLD (M7, M8, M9)	NS	0121F00584	INSULATION, RETAINER (M10, M11, M12, M13, M14, M15)
71	0163F00017	BECKETT BURNER (QTY 2)	NS	0121F00585	INSULATION, RETAINER (M16, M17, M18, M19, M20)
81	0121F00456	BRACKET-BURNER 2 (M1, M2, M3)	NS	0121F00439	PRIMARY LIMIT-HEAT SHIELD
81	0121F00455	BRACKET-BURNER 3 (M4, M5, M6)	NS	0121F00355	SHIELD, COIL (QTY 2)
81	0121F00454	BRACKET-BURNER 4 (M7, M8, M9, M10, M11, M12)	<b>Expanded Model Nomenclature</b> M1 - GMVC960403BNBA M2 - GMVC960403BNBB M3 - GMVC960403BNBC M4 - GMVC960603BNBA M5 - GMVC960603BNBB M6 - GMVC960603BNBC M7 - GMVC960803BNBA M8 - GMVC960803BNBB M9 - GMVC960803BNBC M10 - GMVC960804CNBA M11 - GMVC960804CNBB M12 - GMVC960804CNBC M13 - GMVC961005CNBA M14 - GMVC961005CNBB M15 - GMVC961005CNBC M16 - GMVC961005DNBA M17 - GMVC961005DNBB M18 - GMVC961205DNBA M19 - GMVC961205DNBB M20 - GMVC961205DNBC		
81	0121F00453	BRACKET-BURNER 5 (M13, M14, M15, M16, M17)			
81	0121F00451	BRACKET-BURNER 6 (M18, M19, M20)			
111	0121F00469	ORIFICE BRACKET-BURNER 2 (M1, M2, M3)			
111	0121F00468	ORIFICE BRACKET-BURNER 3 (M4, M5, M6)			
111	0121F00467	ORIFICE BRACKET-BURNER 4 (M7, M8, M9, M10, M11, M12)			
111	0121F00466	ORIFICE BRACKET-BURNER 5 (M13, M14, M15, M16, M17)			
111	0121F00465	ORIFICE BRACKET-BURNER 6 (M18, M19, M20)			
131	0161F00022	COVER, FRONT (M7, M8, M9)			
131	0161F00026	COVER, FRONT (M13, M14, M15)			
131	0161F00030	COVER, FRONT (M10, M11, M12)			
131	0161F00053	COVER, FRONT (M1, M2, M3)			
131	0161F00054	COVER, FRONT (M4, M5, M6)			
131	0161F00063	COVER, FRONT (M18, M19, M20)			
131	0161F00084	COVER, FRONT (M16, M17)			
141	0154F00026	GASKET FRONT COVER (M1, M2, M3, M4, M5, M6, M7, M8, M9)			
141	0154F00030	GASKET FRONT COVER (M10, M11, M12, M13, M14, M15)			
141	0154F00034	GASKET FRONT COVER (M16, M17, M18, M19, M20)			
151	0257F00236	HEAT EXCHANGER ASSY (M1, M2, M3)			
151	0257F00239	HEAT EXCHANGER ASSY (M7, M8, M9)			
151	0257F00240	HEAT EXCHANGER ASSY (M10, M11, M12)			
151	0257F00280	HEAT EXCHANGER ASSY (M13, M14, M15)			
151	0257F00333	HEAT EXCHANGER ASSY (M18, M19, M20)			
151	0257F00374	HEAT EXCHANGER ASSY (M4, M5, M6)			
151	0257F00440	HEAT EXCHANGER ASSY (M16, M17)			
161	M0326804	TUBE PLUG			
171	0121F00539	SHEILD, BURNER (M1, M2, M3)			
171	0121F00540	SHEILD, BURNER (M4, M5, M6)			
171	0121F00541	SHEILD, BURNER (M7, M8, M9, M10, M11, M12)			
171	0121F00542	SHEILD, BURNER (M13, M14, M15, M16, M17)			
171	0121F00543	SHEILD, BURNER (M18, M19, M20)			