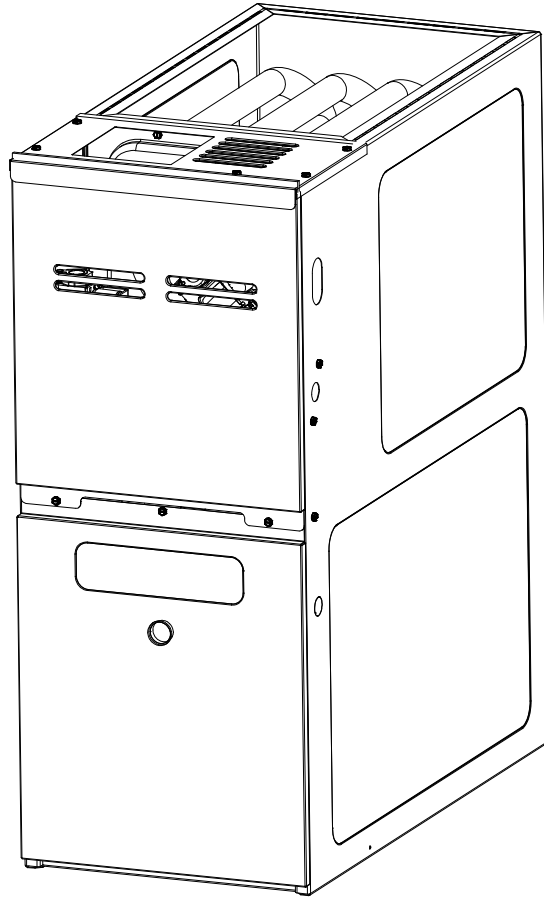


# REPAIR PARTS

## \*MVC8 80% Variable Speed Communicating Furnace

---

AMVC80704BXAA  
AMVC80704BXAB  
AMVC80905CXAA  
AMVC80905CXAB  
AMVC81155CXAA  
AMVC81155CXAB  
GMVC80704BXAA  
GMVC80704BXAB  
GMVC80905CXAA  
GMVC80905CXAB  
GMVC81155CXAA  
GMVC81155CXAB



This manual is to be used by qualified technicians only.

This manual replaces RP-579

© 2009-2010 Goodman Manufacturing Company, L.P. ♦ 5151 San Felipe, Suite 500 ♦ Houston, TX 77056

# Important Information

---

## Index

Functional Parts List .....	3
Illustration and Parts .....	4 - 9

*Views shown are for parts illustrations only, not servicing procedures.*

Revision A: Added "AB" models with 2-stage Honeywell gas valve.

### Text Codes:

AR - As Required

NA - Not Available

NS - Not Shown

00000000 - See Note

QTY - Quantity Example (QTY 3) (If Quantity not shown, Quantity = 1)

M - Model Example (M1) (If M Code not shown, then part is used on all Models)

### Expanded Model Nomenclature:

Example M1 - Model#1 M2 - Model#2 M3 - Model#3
---

Goodman Manufacturing Company, L.P. is not responsible for personal injury or property damage resulting from improper service. Review all service information before beginning repairs.

Warranty service must be performed by an authorized technician, using authorized factory parts. If service is required after the warranty expires, Goodman Manufacturing Company, L.P. also recommends contacting an authorized technician and using authorized factory parts.

Goodman Manufacturing Company, L.P. reserves the right to discontinue, or change at any time, specifications or designs without notice or without incurring obligations.

For assistance within the U.S.A. contact:  
Consumer Affairs Department  
Goodman Manufacturing Company, L.P.  
7401 Security Way  
Houston, Texas 77040  
877-254-4729-Telephone  
713-863-2382-Facsimile

For assistance outside the U.S.A. contact:  
International Division  
Goodman Manufacturing Company, L.P.  
7401 Security Way  
Houston, Texas 77040  
713-861-2500-Telephone  
713-863-2382-Facsimile

# Functional Parts

**Part  
No:**

**Description:**

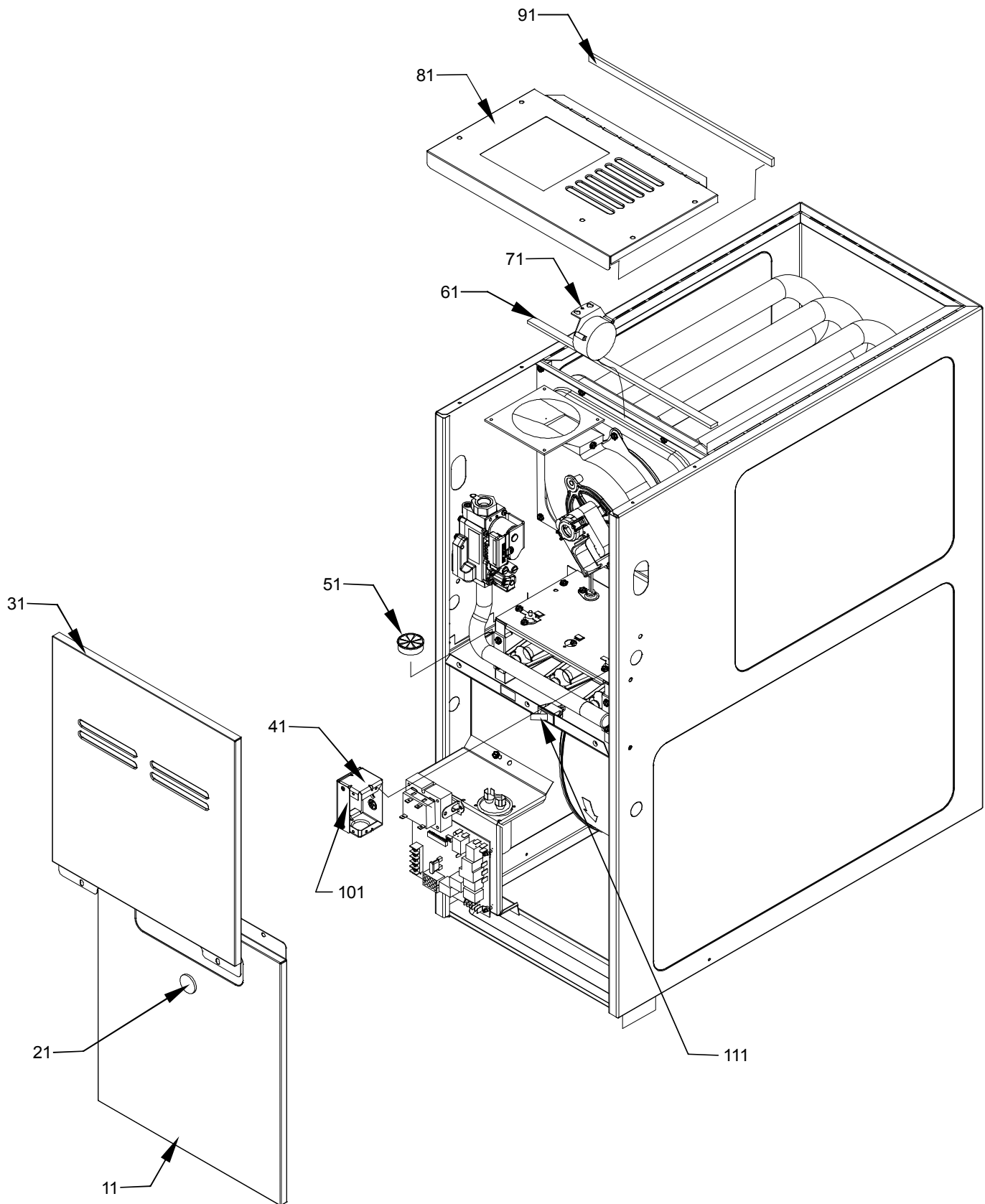
Expanded Model Nomenclature

0130F00049	AIR PRESSURE SWITCH (M1, M2, M7, M8)	M1 - AMVC80704BXAA
0130F00050	AIR PRESSURE SWITCH (M3, M4, M5, M6, M9, M10, M11, M12)	M2 - AMVC80704BXAB
B1368047A	BLOWER WHEEL 10 X 10 (M3, M4, M5, M6, M9, M10, M11, M12)	M3 - AMVC80905CXAA
B1368016S	BLOWER WHEEL 10 X 8 (M1, M2, M7, M8)	M4 - AMVC80905CXAB
0130F00010	FLAME SENSOR	M5 - AMVC81155CXAA
0151M00014	GAS VALVE - HONEYWELL 2-STAGE (M2, M4, M6, M8, M10, M12)	M6 - AMVC81155CXAB
0151F00000P	GAS VALVE - WHITE-RODGERS 2-STAGE (M1, M3, M5, M7, M9, M11)	M7 - GMVC80704BXAA
B1141666	INDUCTOR-5.9 AMP	M8 - GMVC80704BXAB
B4022700	INSHOT BURNER ASSY 3" (QTY AR)	M9 - GMVC80905CXAA
B1370818	INTERLOCK SWITCH	M10 - GMVC80905CXAB
10123529	MANUAL RESET LIMIT (QTY 2)	M11 - GMVC81155CXAA
0131M00112S	MOTOR, 3/4 HP SERIAL ECM	M12 - GMVC81155CXAB
10716003	ORIFICE (QTY AR)	
PCBKF101S	PCB, CONTROL, FURNACE	
20162903	PRIMARY LIMIT - BLUE (M1, M2, M7, M8)	
0130M00063	PRIMARY LIMIT - GOLD 140° (M3, M4, M9, M10)	
0130F00038	PRIMARY LIMIT - LT BLUE 120°	
20162904	* PRIMARY LIMIT-TEMPERATURE CONTROL (M5, M6, M11, M12) *Refer to service bulletin SF-054r1	
0130F00008S	SINI IGNITOR	
B1141605	TRANSFORMER 120V TO 24V, 40 VA	
0131M00003P	VENT MOTOR, 2-STAGE	

## SPECIAL PARTS

0161F00006	AMANA NAMEPLATE (M1, M2, M3, M4, M5, M6)
0161F00007	GOODMAN NAMEPLATE (M7, M8, M9, M10, M11, M12)
HI-124	HOMEOWNERS INSTRUCTIONS
IO-361B	INSTALLATION & OPERATION INSTR (M2, M4, M6, M8, M10, M12)
IO-361A	INSTALLATION & OPERATION INSTR (M1, M3, M5, M7, M9, M11)
IO-669	INSTALL-HUMIDIFIER

# Cabinet



# Cabinet

Ref. Part No:	No:	Description:	Ref. Part No:	No:	Description:
<i>Image 1:</i>					
11	0121F00123DGS	BLOWER ACCESS DOOR 17.5" (M7, M8)			
11	0121F00123LG	BLOWER ACCESS DOOR 17.5" (M1, M2)			
11	0121F00124DGS	BLOWER ACCESS DOOR 21" (M9, M10, M11, M12)			
11	0121F00124LG	BLOWER ACCESS DOOR 21" (M3, M4, M5, M6)			
21	B1392139	VIEW PORT BUSHING-BLOWER DOOR			
31	0121F00119DGS	CONTROL ACCESS DOOR 17.5" (M7, M8)			
31	0121F00119LG	CONTROL ACCESS DOOR 17.5" (M1, M2)			
31	0121F00120DGS	CONTROL ACCESS DOOR 21" (M9, M10, M11, M12)			
31	0121F00120LG	CONTROL ACCESS DOOR 21" (M3, M4, M5, M6)			
41	4014502	J-BOX			
51	B1392147	UNIVERSAL BUSHING WITH SLICE			
61	B13926112	SEAL STRIP, 1/8 X 1/2 X 17.5 (M1, M2, M7, M8)			
61	B13926113	SEAL STRIP, 1/8 X 1/2 X 21 (M3, M4, M5, M6, M9, M10, M11, M12)			
71	0130F00049	AIR PRESSURE SWITCH (M1, M2, M7, M8)			
71	0130F00050	AIR PRESSURE SWITCH (M3, M4, M5, M6, M9, M10, M11, M12)			
81	0121F00142DG	TOP 17.5" (M1, M2, M7, M8)			
81	0121F00143DG	TOP 21" (M3, M4, M5, M6, M9, M10, M11, M12)			
91	B13926111	SEAL STRIP, 1/8 X 1/2 X 14			
101	4015502	J-BOX COVER			
111	B1370818	INTERLOCK SWITCH			
NS	0161F00006	AMANA NAMEPLATE (M1, M2, M3, M4, M5, M6)			
NS	0161F00007	GOODMAN NAMEPLATE (M7, M8, M9, M10, M11, M12)			
NS	0259F00062	INDUCER HARNESS ASSY			
NS	0270K00016	SOLID BOTTOM 17.5" CASE (M1, M2, M7, M8)			
NS	0270K00017	SOLID BOTTOM 21" CASE (M3, M4, M5, M6, M9, M10, M11, M12)			
NS	0259F00061	WIRE HARNESS ASSY			

## Expanded Model Nomenclature

M1 - AMVC80704BXAA
M2 - AMVC80704BXAB
M3 - AMVC80905CXAA
M4 - AMVC80905CXAB
M5 - AMVC81155CXAA
M6 - AMVC81155CXAB
M7 - GMVC80704BXAA
M8 - GMVC80704BXAB
M9 - GMVC80905CXAA
M10 - GMVC80905CXAB
M11 - GMVC81155CXAA
M12 - GMVC81155CXAB

# Heat Exchanger Assembly

Image 1

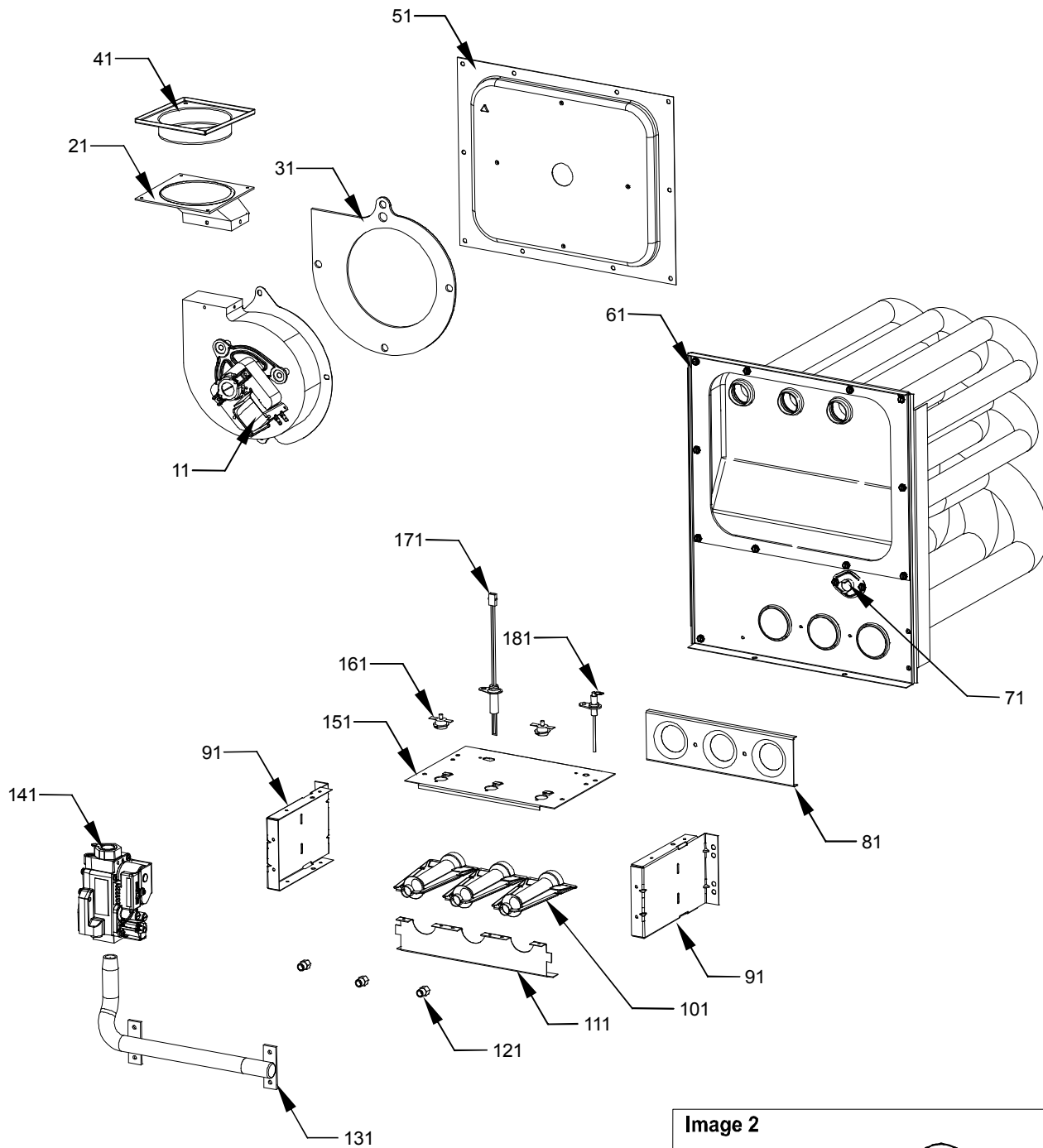
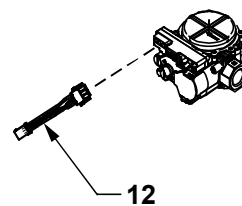


Image 2



# Heat Exchanger Assembly

**Ref. Part  
No: No:**

**Description:**

**Ref. Part  
No: No:**

**Description:**

*Image 1:*

11	0131M00003P	VENT MOTOR, 2-STAGE
21	0128F00006	CHIMNEY TRANSITION BOTTOM
31	0154F00004	VENT MOTOR GASKET 17.5" (M1, M2, M7, M8)
31	0154F00005	VENT MOTOR GASKET 21" (M3, M4, M5, M6, M9, M10, M11, M12)
41	4023500	CHIMNEY TRANSITION TOP
51	0121F00216	COLLECTOR BOX (M1, M2, M7, M8)
51	0121F00217	COLLECTOR BOX (M3, M4, M5, M6, M9, M10, M11, M12)
61	0270F00930S	HEAT EXCHANGER ASSY (M9, M10)
61	0270F00933S	HEAT EXCHANGER ASSY (M1, M2, M7, M8)
61	0270F00935	HEAT EXCHANGER ASSY (M3, M4)
61	0270F00936S	HEAT EXCHANGER ASSY (M5, M6, M11, M12)
71	20162903	PRIMARY LIMIT - BLUE (M1, M2, M7, M8)
71	0130M00063	PRIMARY LIMIT - GOLD 140° (M3, M4, M9, M10)
71	20162904	*PRIMARY LIMIT-TEMPERATURE CONTROL (M5, M6, M11, M12) *Refer to service bulletin SF-054r1
81	4028001	ORIFICE SHIELD 3 CELL (M1, M2, M7, M8)
81	4028002	ORIFICE SHIELD 4 CELL (M3, M4, M9, M10)
81	4028003	ORIFICE SHIELD 5 CELL (M5, M6, M11, M12)
91	0121F00146	BURNER BOX SIDE (QTY 2)
101	B4022700	INSHOT BURNER ASSY 3" (QTY AR)
111	0121F00168	BURNER BRACKET 3B (M1, M2, M7, M8)
111	0121F00169	BURNER BRACKET 4B (M3, M4, M9, M10)
111	0121F00170	BURNER BRACKET 5B (M5, M6, M11, M12)
121	10716003	ORIFICE (QTY AR)
131	0120F00009	MANIFOLD (M5, M6, M11, M12)
131	0120F00017	MANIFOLD (M1, M2, M7, M8)
131	0120F00018	MANIFOLD (M3, M4, M9, M10)
141	0151M00014	GAS VALVE - HONEYWELL 2-STAGE (M2, M4, M6, M8, M10, M12)
141	0151F00000P	GAS VALVE - WHITE-RODGERS 2-STAGE (M1, M3, M5, M7, M9, M11)
151	0121F00163	BURNER BOX TOP 3 CELL (M1, M2, M7, M8)
151	0121F00164	BURNER BOX TOP 4 CELL (M3, M4, M9, M10)
151	0121F00165	BURNER BOX TOP 5 CELL (M5, M6, M11, M12)
161	10123529	MANUAL RESET LIMIT (QTY 2)
171	0130F00008S	SINI IGNITOR
181	0130F00010	FLAME SENSOR

Expanded Model Nomenclature

M1 - AMVC80704BXAA
M2 - AMVC80704BXAB
M3 - AMVC80905CXAA
M4 - AMVC80905CXAB
M5 - AMVC81155CXAA
M6 - AMVC81155CXAB
M7 - GMVC80704BXAA
M8 - GMVC80704BXAB
M9 - GMVC80905CXAA
M10 - GMVC80905CXAB
M11 - GMVC81155CXAA
M12 - GMVC81155CXAB

*Image 2:*

12	0259M00004	WIRE HARNESS, ADAPTOR (M2, M4, M6, M8, M10, M12)
----	------------	--

# Blower and Control Panel

Image 1

\*If end bells are needed please order the following:

0131M00182 - 1/2 HP

0131M00183 - 3/4 HP

0131M00184 - 1 HP

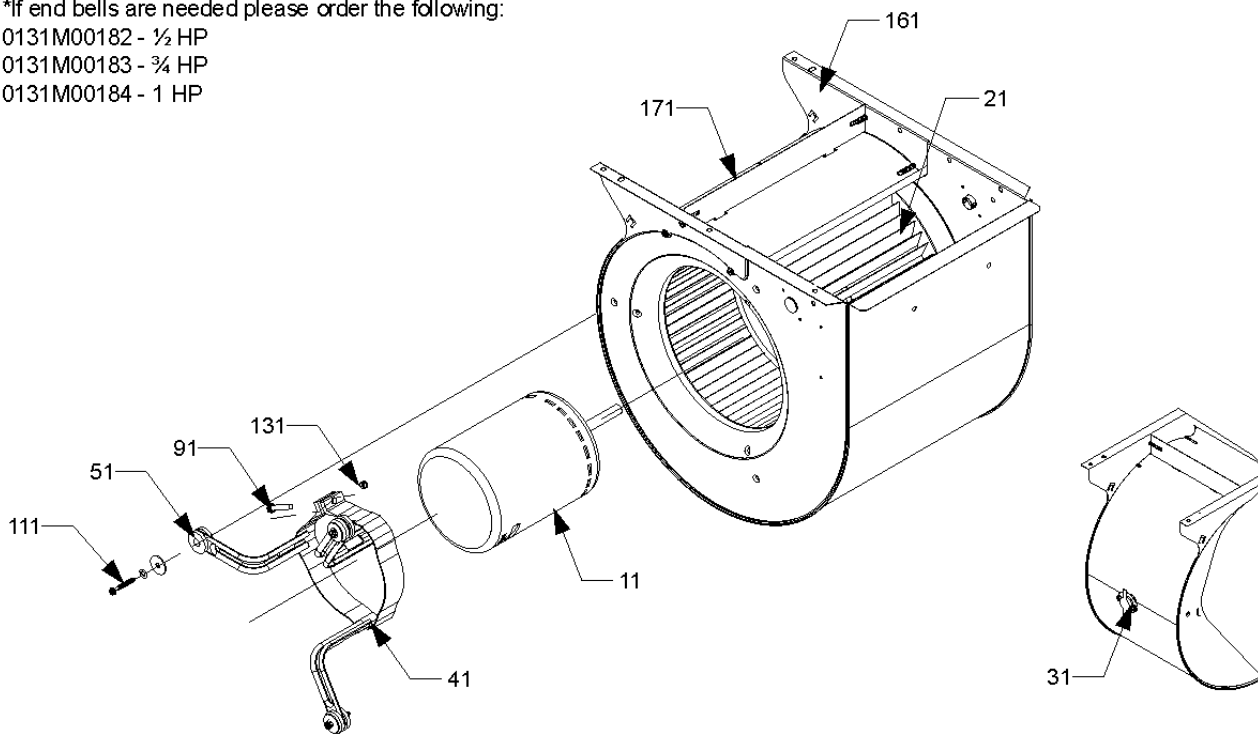
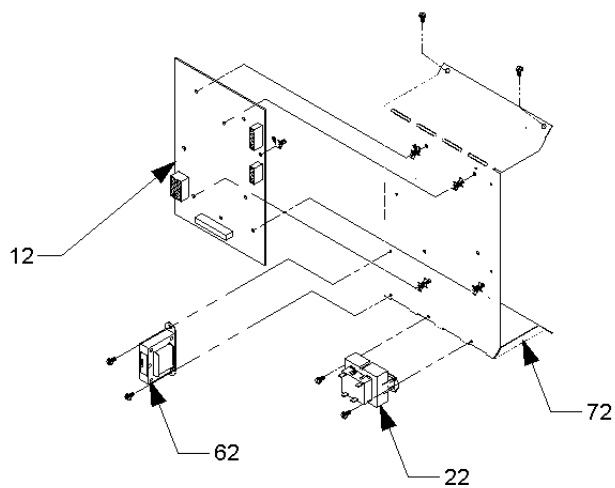


Image 2



# Blower and Control Panel

Ref. Part No: No:	Description:	Ref. Part No: No:	Description:
-------------------	--------------	-------------------	--------------

*Image 1:*

11	0131M00112S	MOTOR, 3/4 HP SERIAL ECM
21	B1368047A	BLOWER WHEEL 10 X 10 (M3, M4, M5, M6, M9, M10, M11, M12)
21	B1368016S	BLOWER WHEEL 10 X 8 (M1, M2, M7, M8)
31	0130F00038	PRIMARY LIMIT - LT BLUE 120°
41	0121M00038	MOTOR MOUNT BAND
51	B1376853	MOTOR MOUNT ARM (QTY 3)
91	B1393323	MACHINE SCREW HWH 1/4-20 X 1-1/2 BZ
111	M0250565	TC SCREW 1.25" (QTY 3)
131	B1393800	LOCKNUT, NYLON, INSERT 1/4, 20
161	0271F00111	BLOWER SHELL ASSY (M1, M2, M7, M8)
161	0271F00112	BLOWER SHELL ASSY (M3, M4, M5, M6, M9, M10, M11, M12)
171	764741F	BLOWER BLOCK-OFF 10 X 10 (M3, M4, M5, M6, M9, M10, M11, M12)
171	764740F	BLOWER BLOCK-OFF 10 X 8 (M1, M2, M7, M8)
NS	0259F00048	HARNESS, CONTROL
NS	0259F00049	HARNESS, POWER

*Image 2:*

12	PCBKF101S	PCB, CONTROL, FURNACE
22	B1141605	TRANSFORMER 120V TO 24V, 40 VA
62	B1141666	INDUCTOR-5.9 AMP
72	0121F00218	PANEL, CONTROL MOUNTING

Expanded Model Nomenclature

M1 - AMVC80704BXAA
M2 - AMVC80704BXAB
M3 - AMVC80905CXAA
M4 - AMVC80905CXAB
M5 - AMVC81155CXAA
M6 - AMVC81155CXAB
M7 - GMVC80704BXAA
M8 - GMVC80704BXAB
M9 - GMVC80905CXAA
M10 - GMVC80905CXAB
M11 - GMVC81155CXAA
M12 - GMVC81155CXAB

\*If end bells are needed please order the following:

0131M00182 - 1/2 HP  
 0131M00183 - 3/4 HP  
 0131M00184 - 1 HP