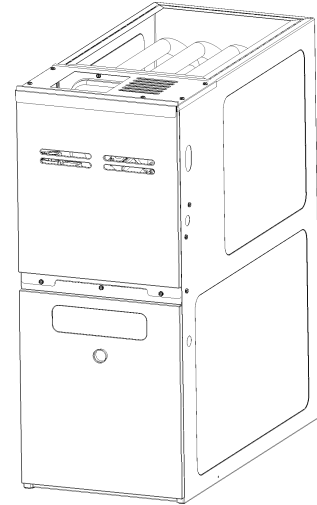




REPAIR PARTS

GMVC 80% Variable Speed Communicating Furnace

GMVC80604BNAA
GMVC80604BNBA
GMVC80604BNBB
GMVC80604BNBC
GMVC80604BXAA
GMVC80604BXBA
GMVC80604BXBB
GMVC80604BXBC
GMVC80805CNAA
GMVC80805CNBA
GMVC80805CNBB
GMVC80805CNBC
GMVC80805CXAA
GMVC80805CXBA
GMVC80805CXBB
GMVC80805CXBC
GMVC81005CNAA
GMVC81005CNBA
GMVC81005CNBB
GMVC81005CNBC
GMVC81005CXAA
GMVC81005CXBA
GMVC81005CXBB
GMVC81005CXBC



This manual is to be used by qualified technicians only.

This manual replaces RP-671C.

© 2012-2013, 2015 Goodman Manufacturing Company, L.P. ♦ 5151 San Felipe St., Suite 500 ♦ Houston, TX 77056

Important Information

Index

Functional Parts List	3
Illustration and Parts	4 - 9

Views shown are for parts illustrations only, not servicing procedures

Text Codes:

AR - As Required

NA - Not Available

NS - Not Shown

00000000 - See Note

QTY - Quantity Example (QTY 3) (If Quantity not shown, Quantity = 1)

M - Model Example (M1) (If M Code not shown, then part is used on all Models)

Expanded Model Nomenclature:

Example M1 - Model#1 M2 - Model#2 M3 - Model#3

Goodman Manufacturing Company, L.P. is not responsible for personal injury or property damage resulting from improper service. Review all service information before beginning repairs.

Warranty service must be performed by an authorized technician, using authorized factory parts. If service is required after the warranty expires, Goodman Manufacturing Company, L.P. also recommends contacting an authorized technician and using authorized factory parts.

Goodman Manufacturing Company, L.P. reserves the right to discontinue, or change at any time, specifications or designs without notice or without incurring obligations.

For assistance within the U.S.A. contact:
Consumer Affairs Department
Goodman Manufacturing Company, L.P.
7401 Security Way
Houston, Texas 77040
877-254-4729-Telephone
713-863-2382-Facsimile

For assistance outside the U.S.A. contact:
International Division
Goodman Manufacturing Company, L.P.
7401 Security Way
Houston, Texas 77040
713-861-2500-Telephone
713-863-2382-Facsimile

Functional Parts

Part No: **Description:**

20162904	*PRIMARY LIMIT-TEMPERATURE CONTROL (M17, M21) *Refer to service bulletin SF-054
0130F00050	AIR PRESSURE SWITCH (M9, M13, M17, M21)
0130F00049	AIR PRESSURE SWITCH (M1, M2, M3, M4, M5, M6, M7, M8, M10, M11, M12, M14, M15, M16)
0130F00038	AUX LIMIT - LT BLUE 120°
0130F00217	DATA, FURNACE PCB (M17)
0130F00216	DATA, FURNACE PCB (M9)
0130F00420	DATA, FURNACE PCB (M24)
0130F00218	DATA, FURNACE PCB (M5)
0130F00219	DATA, FURNACE PCB (M13)
0130F00220	DATA, FURNACE PCB (M21)
0130F00415	DATA, FURNACE PCB (M4)
0130F00215	DATA, FURNACE PCB (M1)
0130F00418	DATA, FURNACE PCB (M16)
0130F00419	DATA, FURNACE PCB (M20)
0130F00416	DATA, FURNACE PCB (M8)
0130F00417	DATA, FURNACE PCB (M12)
0130F00269	DATA, FURNACE PCB (M23)
0130F00268	DATA, FURNACE PCB (M19)
0130F00267	DATA, FURNACE PCB (M15)
0130F00266	DATA, FURNACE PCB (M11)
0130F00265	DATA, FURNACE PCB (M7)
0130F00264	DATA, FURNACE PCB (M3)
0130F00233	DATA, FURNACE PCB (M2)
NOT REQUIRED	PCB, Shared Data Chip NA. Shared data only available thru CoolCloud HVAC app. (M10, M18, M6, M14, M22)
0130F00010	FLAME SENSOR
0130F00008	IGNITOR-SINI 17 SEC
0130M00141	INDUCTOR, 5.9 AMPS (GMPE100-4)
10690402	INTERLOCK SWITCH
10123529	MANUAL RESET R.O.S. LIMIT (QTY 2)
0131M00271	MOTOR, 3/4 HP, SERIAL ECM
PCBKF102	PCB, CONTROL, FURNACE (M1, M2, M5, M6, M9, M10, M13, M14, M17, M18, M21, M22)
PCBKF104	PCB, CONTROL, FURNACE (M3, M4, M7, M8, M11, M12, M15, M16, M19, M20, M23, M24)
B1370210	PRESSURE SWITCH, PINK (M18, M19, M20, M22, M23, M24)
20162903	PRIMARY LIMIT - BLUE (M1, M5)
0130M00063	PRIMARY LIMIT - GOLD 140° (M2, M3, M4, M6, M7, M8, M9, M10, M11, M12, M13, M14, M15, M16)
20162905	PRIMARY LIMIT-YELLOW (M18, M19, M20, M22, M23, M24)
0130M00140	TRANSFORMER 120V TO 24V, 40VA
0151M00028	VALVE,GAS(HW)VR92
DY6.186.070	VENT MOTOR CAPACITOR
0131M00003P	VENT MOTOR, 2-STAGE

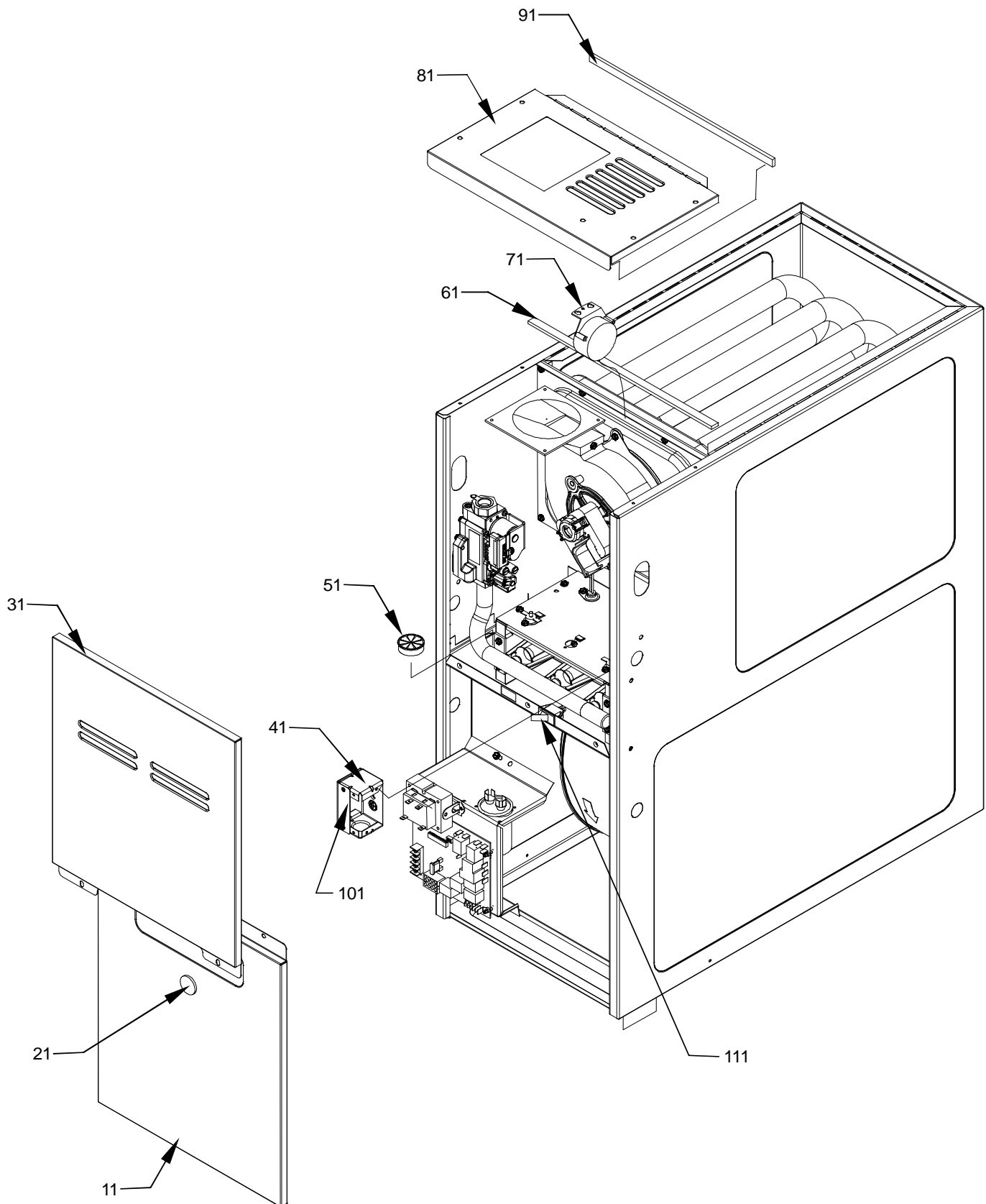
SPECIAL PARTS

0161F00007 GOODMAN NAMEPLATE

Expanded Model Nomenclature

M1 - GMVC80604BNAA
M2 - GMVC80604BNBA
M3 - GMVC80604BNBB
M4 - GMVC80604BNBC
M5 - GMVC80604BXAA
M6 - GMVC80604BXBA
M7 - GMVC80604BXBB
M8 - GMVC80604BXBC
M9 - GMVC80805CNAA
M10 - GMVC80805CNBA
M11 - GMVC80805CNBB
M12 - GMVC80805CNBC
M13 - GMVC80805CXAA
M14 - GMVC80805CXBA
M15 - GMVC80805CXBB
M16 - GMVC80805CXBC
M17 - GMVC81005CNAA
M18 - GMVC81005CNBA
M19 - GMVC81005CNBB
M20 - GMVC81005CNBC
M21 - GMVC81005CXAA
M22 - GMVC81005CXBA
M23 - GMVC81005CXBB
M24 - GMVC81005CXBC

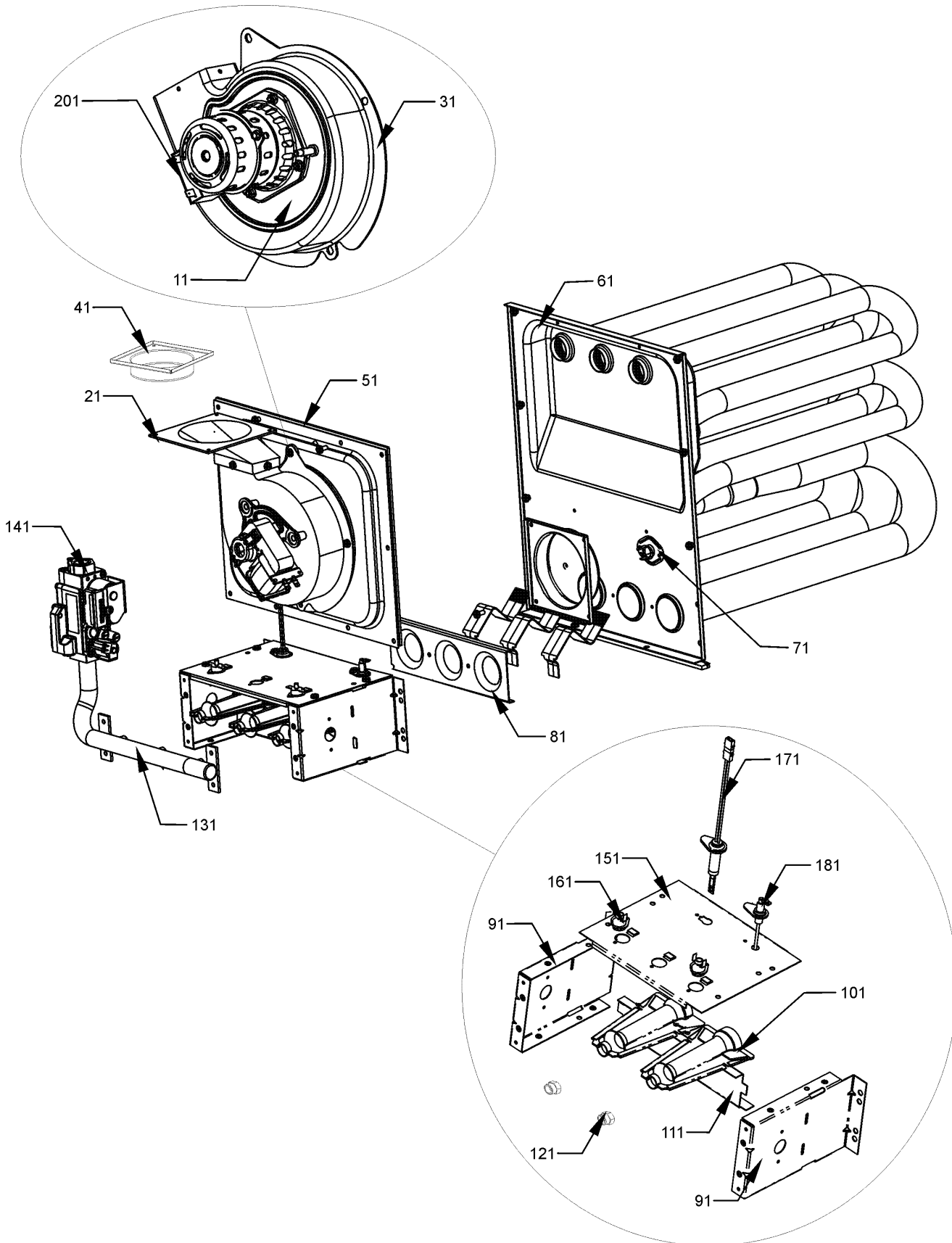
Cabinet



Cabinet

Ref. Part No: No:	Description:	Ref. Part No: No:	Description:
<i>Image 1:</i>		Expanded Model Nomenclature	
11	0121F00123DG BLOWER ACCESS DOOR 17.5" (M1, M2, M3, M4, M5, M6, M7, M8)	M1 - GMVC80604BNAA	
11	0121F00124DG BLOWER ACCESS DOOR 21" (M9, M10, M11, M12, M13, M14, M15, M16, M17, M18, M19, M20, M21, M22, M23, M24)	M2 - GMVC80604BNBA	
21	B1392139 VIEW PORT BUSHING-BLOWER DOOR	M3 - GMVC80604BNBB	
31	0121F00119DG CONTROL ACCESS DOOR 17.5" (M1, M2, M3, M4, M5, M6, M7, M8)	M4 - GMVC80604BNBC	
31	0121F00120DG CONTROL ACCESS DOOR 21" (M9, M10, M11, M12, M13, M14, M15, M16, M17, M18, M19, M20, M21, M22, M23, M24)	M5 - GMVC80604BXAA	
41	4014502 J-BOX	M6 - GMVC80604BXBA	
51	B1392147 UNIVERSAL BUSHING WITH SLICE	M7 - GMVC80604BXBB	
61	B13926112 SEAL STRIP, 1/8 X 1/2 X 17.5 (M1, M2, M3, M4, M5, M6, M7, M8)	M8 - GMVC80604BXBC	
61	B13926113 SEAL STRIP, 1/8 X 1/2 X 21 (M9, M10, M11, M12, M13, M14, M15, M16, M17, M18, M19, M20, M21, M22, M23, M24)	M9 - GMVC80805CNAA	
71	0130F00049 AIR PRESSURE SWITCH (M1, M2, M3, M4, M5, M6, M7, M8, M10, M11, M12, M14, M15, M16)	M10 - GMVC80805CNBA	
71	0130F00050 AIR PRESSURE SWITCH (M9, M13, M17, M21)	M11 - GMVC80805CNBB	
71	B1370210 PRESSURE SWITCH, PINK (M18, M19, M20, M22, M23, M24)	M12 - GMVC80805CNBC	
81	0121F00142DG TOP 17.5" (M1, M2, M3, M4, M5, M6, M7, M8)	M13 - GMVC80805CXAA	
81	0121F00143DG TOP 21" (M9, M10, M11, M12, M13, M14, M15, M16, M17, M18, M19, M20, M21, M22, M23, M24)	M14 - GMVC80805CXBA	
91	B13926111 SEAL STRIP, 1/8 X 1/2 X 14	M15 - GMVC80805CXBB	
101	4015502 J-BOX COVER	M16 - GMVC80805CXBC	
111	10690402 INTERLOCK SWITCH	M17 - GMVC81005CNAA	
NS	0161F00007 GOODMAN NAMEPLATE	M18 - GMVC81005CNBA	
NS	0259F00062 INDUCER HARNESS ASSY	M19 - GMVC81005CNBB	
NS	0259F00063 WIRE HARNESS ASSY	M20 - GMVC81005CNBC	
NS	0259F00075 WIRE HARNESS ASSY (M1, M2, M5, M6, M9, M10, M13, M14, M17, M18, M21, M22)	M21 - GMVC81005CXAA	
NS	0259F00081 WIRE HARNESS ASSY (M3, M4, M7, M8, M11, M12, M15, M16, M19, M20, M23, M24)	M22 - GMVC81005CXBA	
		M23 - GMVC81005CXBB	
		M24 - GMVC81005CXBC	

Heat Exchanger Assembly



Heat Exchanger Assembly

Ref. Part No:	Description:	Ref. Part No:	Description:
Image 1:		Expanded Model Nomenclature	
11	0131M00003P VENT MOTOR, 2-STAGE	M1	GMVC80604BNAA
21	0128F00006 CHIMNEY TRANSITION BOTTOM	M2	GMVC80604BNBA
31	0154F00004 VENT MOTOR GASKET 17.5" (M1, M2, M3, M4, M5, M6, M7, M8)	M3	GMVC80604BNBB
31	0154F00005 VENT MOTOR GASKET 21" (M9, M10, M11, M12, M13, M14, M15, M16, M17, M18, M19, M20, M21, M22, M23, M24)	M4	GMVC80604BNBC
41	4023500 CHIMNEY TRANSITION TOP	M5	GMVC80604BXAA
51	0121F00332 17.5" COLLECTOR BOX 1.375" DIA (M2, M3, M4, M6, M7, M8)	M6	GMVC80604BXBA
51	0121F00333 21" COLLECTOR BOX 1.75" DIA (M18, M19, M20, M22, M23, M24)	M7	GMVC80604BXBB
51	0121F00336 21" FLUE COLLECTOR BOX 1.50" (M10, M11, M12, M14, M15, M16)	M8	GMVC80604BXBC
51	0121F00216 COLLECTOR BOX (M1, M5)	M9	GMVC80805CNAA
51	0121F00217 COLLECTOR BOX (M9, M13, M17, M21)	M10	GMVC80805CNBA
61	0270F00903 HEAT EXCHANGER ASSY (M17, M18, M19, M20, M21, M22, M23, M24)	M11	GMVC80805CNBB
61	0270F00929 HEAT EXCHANGER ASSY (M1, M2, M3, M4, M5, M6, M7, M8)	M12	GMVC80805CNBC
61	0270F00930 HEAT EXCHANGER ASSY (M9, M10, M11, M12, M13, M14, M15, M16)	M13	GMVC80805CXAA
71	20162904 *PRIMARY LIMIT-TEMPERATURE CONTROL (M17, M21) *Refer to service bulletin SF-054	M14	GMVC80805CXBA
71	20162903 PRIMARY LIMIT - BLUE (M1, M5)	M15	GMVC80805CXBB
71	0130M00063 PRIMARY LIMIT - GOLD 140° (M2, M3, M4, M6, M7, M8, M9, M10, M11, M12, M13, M14, M15, M16)	M16	GMVC80805CXBC
71	20162905 PRIMARY LIMIT-YELLOW (M18, M19, M20, M22, M23, M24)	M17	GMVC81005CNAA
81	4028001 ORIFICE SHIELD 3 CELL (M1, M2, M3, M4, M5)	M18	GMVC81005CNBA
81	4028002 ORIFICE SHIELD 4 CELL (M6, M7, M8, M9, M10, M11, M12, M13, M14, M15, M16)	M19	GMVC81005CNBB
81	4028003 ORIFICE SHIELD 5 CELL (M17, M18, M19, M20, M21, M22, M23, M24)	M20	GMVC81005CNBC
91	0121F00146 BURNER BOX SIDE (QTY 2)	M21	GMVC81005CXAA
101	B4022700 INSHOT BURNER ASSY 3" (QTY 3)	M22	GMVC81005CXBA
111	0121F00168 BURNER BRACKET 3B (M1, M2, M3, M4, M5, M6, M7, M8)	M23	GMVC81005CXBB
111	0121F00169 BURNER BRACKET 4B (M9, M10, M11, M12, M13, M14, M15, M16)	M24	GMVC81005CXBC
111	0121F00170 BURNER BRACKET 5B (M17, M18, M19, M20, M21, M22, M23, M24)		
121	0163F00018 ORIFICE (M1, M5, M9, M13, M17, M21)		
121	10716005 ORIFICE (M2, M3, M4, M6, M7, M8, M10, M11, M12, M14, M15, M16, M18, M19, M20, M22, M23, M24)		
131	0120F00007 MANIFOLD (M1, M2, M3, M4, M5, M6, M7, M8)		
131	0120F00008 MANIFOLD (M9, M10, M11, M12, M13, M14, M15, M16)		
131	0120F00009 MANIFOLD (M17, M18, M19, M20, M21, M22, M23, M24)		
141	0151M00028 VALVE,GAS(HW)VR92		
151	0121F00163 BURNER BOX TOP 3 CELL (M1, M2, M3, M4, M5, M6, M7, M8)		
151	0121F00164 BURNER BOX TOP 4 CELL (M9, M10, M11, M12, M13, M14, M15, M16)		
151	0121F00165 BURNER BOX TOP 5 CELL (M17, M18, M19, M20, M21, M22, M23, M24)		
161	10123529 MANUAL RESET R.O.S. LIMIT (QTY 2)		
171	0130F00008 IGNITOR-SINI 17 SEC		
181	0130F00010 FLAME SENSOR		
201	DY6.186.070 VENT MOTOR CAPACITOR		

Blower and Control Panel

Image 1

*If end bells are needed please order the following:
0131M00182 - 1/2 HP
0131M00183 - 3/4 HP
0131M00184 - 1 HP

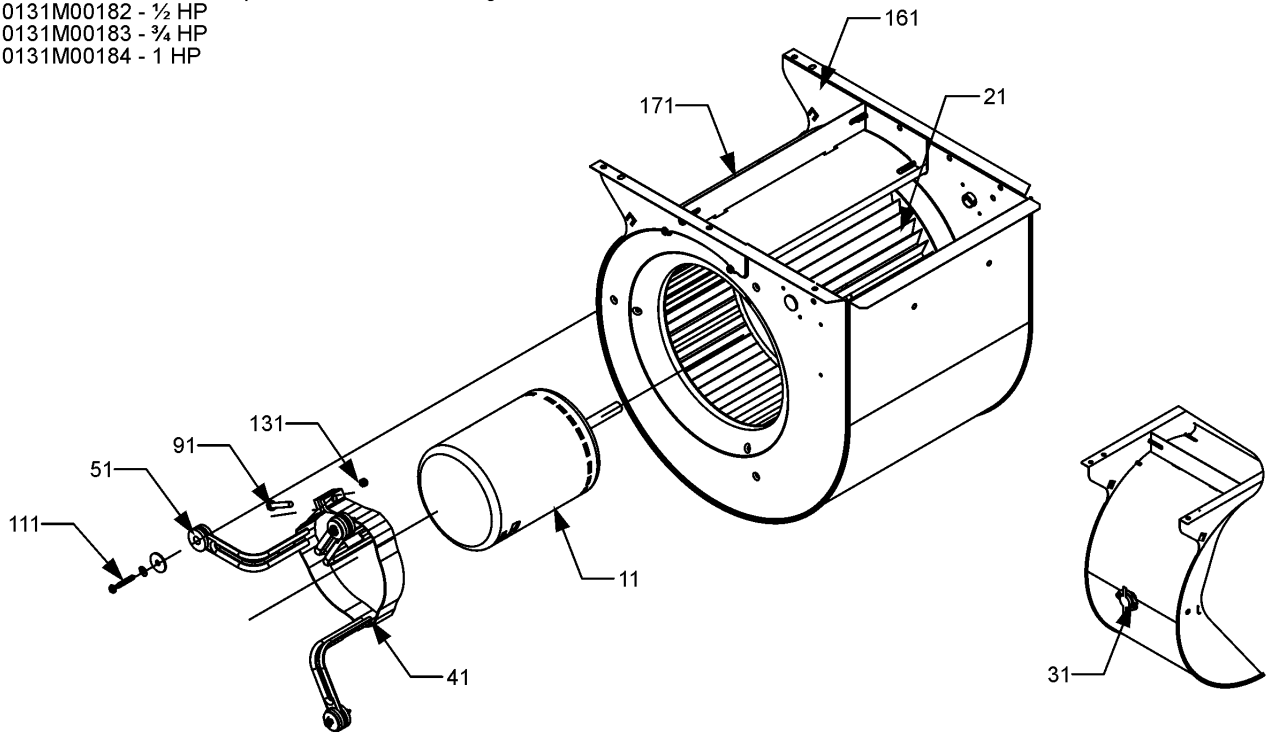
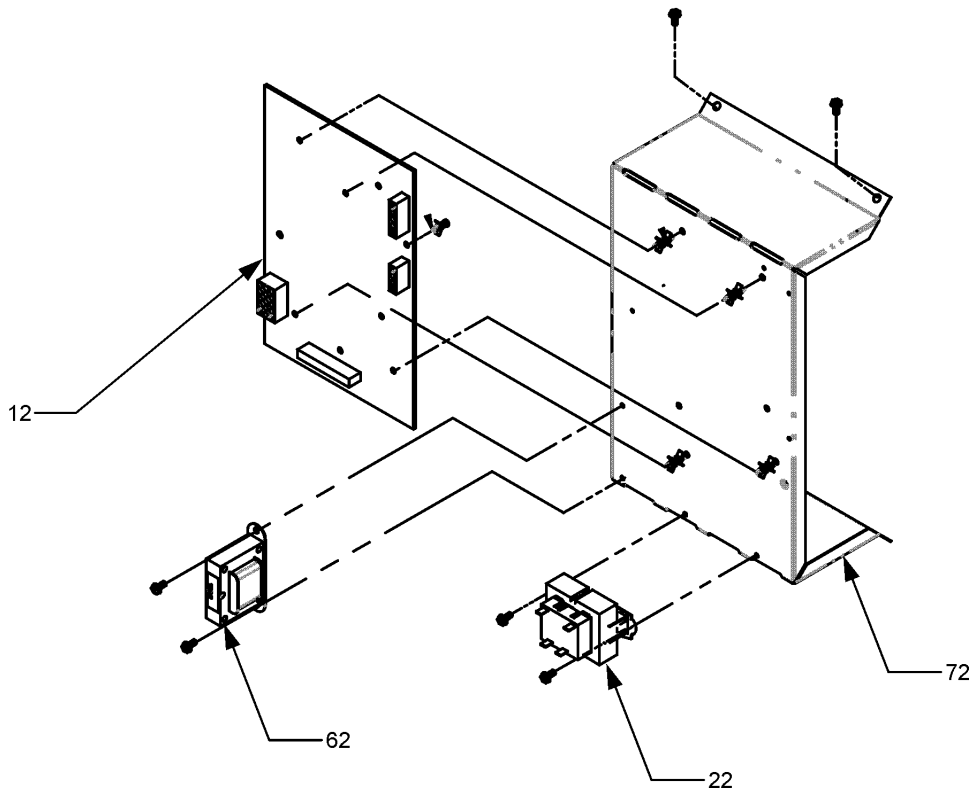


Image 2



Blower and Control Panel

Ref. Part No: No:	Description:	Ref. Part No: No:	Description:
Image 1:		Expanded Model Nomenclature	
11	0131M00271	MOTOR, 3/4 HP, SERIAL ECM	M1 - GMVC80604BNAA
21	B1368047	BLOWER WHEEL 10 X 10 (M9, M10, M11, M12, M13, M14, M15, M16, M17, M18, M19, M20, M21, M22, M23, M24)	M2 - GMVC80604BNBA
21	B1368016	BLOWER WHEEL 10 X 8 (M1, M2, M3, M4, M5, M6, M7, M8)	M3 - GMVC80604BNBB
31	0130F00038	AUX LIMIT - LT BLUE 120°	M4 - GMVC80604BNBC
41	0121M00038	MOTOR MOUNT BAND (M1, M2, M3, M4, M5, M6, M7, M8)	M5 - GMVC80604BXAA
41	0121M00039	MOTOR MOUNT BAND (HEAVY DUTY) (M9, M10, M11, M12, M13, M14, M15, M16, M17, M18, M19, M20, M21, M22, M23, M24)	M6 - GMVC80604BXBA
51	B1376853	MOTOR MOUNT ARM (M1, M2, M3, M4, M5, M6, M7, M8)	M7 - GMVC80604BXBB
51	B1376863	MOTOR MOUNT ARM (HEAVY DUTY) (M9, M10, M11, M12, M13, M14, M15, M16, M17, M18, M19, M20, M21, M22, M23, M24)	M8 - GMVC80604BXBC
91	B1393323	MACHINE SCREW HWH 1/4-20 X 1-1/2 BZ	M9 - GMVC80805CNAA
111	M0250565	TC SCREW 1.25" (QTY 3)	M10 - GMVC80805CNBA
131	B1393800	LOCKNUT, NYLON, INSERT 1/4, 20	M11 - GMVC80805CNBB
161	0271F00111	BLOWER SHELL ASSY (M1, M2, M3, M4, M5, M6, M7, M8)	M12 - GMVC80805CNBC
161	0271F00112	BLOWER SHELL ASSY (M9, M10, M11, M12, M13, M14, M15, M16, M17, M18, M19, M20, M21, M22, M23, M24)	M13 - GMVC80805CXAA
171	764741	BLOWER BLOCK-OFF 10 X 10 (M9, M10, M11, M12, M13, M14, M15, M16, M17, M18, M19, M20, M21, M22, M23, M24)	M14 - GMVC80805CXBA
171	764740	BLOWER BLOCK-OFF 10 X 8 (M1, M2, M3, M4, M5, M6, M7, M8)	M15 - GMVC80805CXBB
NS	0259F00048	HARNESS, CONTROL	M16 - GMVC80805CXBC
NS	0259F00049	HARNESS, POWER	M17 - GMVC81005CNAA
Image 2:		*If end bells are needed please order the following: 0131M00182 - 1/2 HP 0131M00183 - 3/4 HP 0131M00184 - 1 HP	
12	PCBKF102	PCB, CONTROL, FURNACE (M1, M2, M5, M6, M9, M10, M13, M14, M17, M18, M21, M22)	M18 - GMVC81005CNBA
12	PCBKF104	PCB, CONTROL, FURNACE (M3, M4, M7, M8, M11, M12, M15, M16, M19, M20, M23, M24)	M19 - GMVC81005CNBB
22	0130M00140	TRANSFORMER 120V TO 24V, 40VA	M20 - GMVC81005CNBC
62	0130M00141	INDUCTOR, 5.9 AMPS (GMPE100-4)	M21 - GMVC81005CXAA
72	0121F00218	PANEL, CONTROL MOUNTING	M22 - GMVC81005CXBA
NS	0130F00215	DATA, FURNACE PCB (M1)	M23 - GMVC81005CXBB
NS	0130F00216	DATA, FURNACE PCB (M9)	M24 - GMVC81005CXBC
NS	0130F00217	DATA, FURNACE PCB (M17)	
NS	0130F00218	DATA, FURNACE PCB (M5)	
NS	0130F00219	DATA, FURNACE PCB (M13)	
NS	0130F00220	DATA, FURNACE PCB (M21)	
NS	0130F00264	DATA, FURNACE PCB (M3)	
NS	0130F00265	DATA, FURNACE PCB (M7)	
NS	0130F00266	DATA, FURNACE PCB (M11)	
NS	0130F00267	DATA, FURNACE PCB (M15)	
NS	0130F00268	DATA, FURNACE PCB (M19)	
NS	0130F00269	DATA, FURNACE PCB (M23)	
NS	0130F00415	DATA, FURNACE PCB (M4)	
NS	0130F00416	DATA, FURNACE PCB (M8)	
NS	0130F00417	DATA, FURNACE PCB (M12)	
NS	0130F00418	DATA, FURNACE PCB (M16)	
NS	0130F00419	DATA, FURNACE PCB (M20)	
NS	0130F00420	DATA, FURNACE PCB (M24)	
NS	0130F00233	DATA, FURNACE PCB (M2)	
NS	NOT REQUIRED	PCB, Shared Data Chip NA. Shared data only available thru CoolCloud HVAC app. (M10, M18, M6, M14, M22)	