



# REPAIR PARTS

## GMVC 80% Two Stage Variable Speed Upflow Gas Furnace

GMVC80603BNBC  
GMVC80603BNBD  
GMVC80603BXBC  
GMVC80603XBBD  
GMVC80604BNBD  
GMVC80604BXBD  
GMVC80803BNBC  
GMVC80803BNBD  
GMVC80803BXBC  
GMVC80803XBBD  
GMVC80804CNBC  
GMVC80804CNBD  
GMVC80804CXBC  
GMVC80804CXBD  
GMVC80805CNBD  
GMVC80805CXBD  
GMVC80805DNBC  
GMVC80805DNBD  
GMVC80805DXBC  
GMVC80805DXBD  
GMVC81005CNBD  
GMVC81005CXBD



This manual is to be used by qualified technicians only.

This manual replaces RP-G2301.

© 2016 , 2018 Goodman Manufacturing Company, L.P. ♦ 5151 San Felipe St, Suite 500 ♦ Houston, TX 77056

# Important Information

---

## Index

Functional Parts List .....	3
Illustration and Parts .....	4 - 9

*Views shown are for parts illustrations only, not servicing procedures.*

### Text Codes:

AR - As Required

NA - Not Available

NS - Not Shown

00000000 - See Note

QTY - Quantity Example (QTY 3) (If Quantity not shown, Quantity = 1)

M - Model Example (M1) (If M Code not shown, then part is used on all Models)

### Expanded Model Nomenclature:

Example M1 - Model#1 M2 - Model#2 M3 - Model#3
---

Goodman Manufacturing Company, L.P. is not responsible for personal injury or property damage resulting from improper service. Review all service information before beginning repairs.

Warranty service must be performed by an authorized technician, using authorized factory parts. If service is required after the warranty expires, Goodman Manufacturing Company, L.P. also recommends contacting an authorized technician and using authorized factory parts.

Goodman Manufacturing Company, L.P. reserves the right to discontinue, or change at any time, specifications or designs without notice or without incurring obligations.

For assistance within the U.S.A. contact:  
Homeowner Support  
Goodman Manufacturing Company, L.P.  
19001 Kermier Road  
Waller, Texas 77484  
877-254-4729-Telephone  
713-863-2382-Facsimile

For assistance outside the U.S.A. contact:  
International Division  
Goodman Manufacturing Company, L.P.  
19001 Kermier Road  
Waller, Texas 77484  
713-861-2500-Telephone  
713-863-2382-Facsimile

# Functional Parts

**Part No:**            **Description:**

20162904            \*PRIMARY LIMIT-TEMPERATURE CONTROL (M7, M8, M9, M10, M11, M12, M13, M14, M17, M18, M19, M20)  
                          \*Refer to service bulletin SF-054

0130F00049            AIR PRESSURE SWITCH (M5, M6, M15, M16)

0130F00533            DATA, FURNACE PCB (M1, M2)

0130F00415            DATA, FURNACE PCB (M5)

0130F00416            DATA, FURNACE PCB (M6)

0130F00417            DATA, FURNACE PCB (M15)

0130F00418            DATA, FURNACE PCB (M16)

0130F00420            DATA, FURNACE PCB (M22)

0130F00534            DATA, FURNACE PCB (M3, M4)

0130F00535            DATA, FURNACE PCB (M7, M8)

0130F00536            DATA, FURNACE PCB (M9, M10)

0130F00537            DATA, FURNACE PCB (M11, M12)

0130F00539            DATA, FURNACE PCB (M17, M18)

0130F00540            DATA, FURNACE PCB (M19, M20)

0130F00419            DATA, FURNACE PCB (M21)

0130F00538            DATA, FURNACE PCB (M13, M14)

0130F00569            DUAL STAGE PRESSURE SWITCH (M7, M8, M9, M10)

0130F00570            DUAL STAGE PRESSURE SWITCH (M11, M12, M13, M14)

0130F00571            DUAL STAGE PRESSURE SWITCH (M1, M2, M3, M4, M17, M18, M19, M20)

0130F00010            FLAME SENSOR

0151M00027            GAS VALVE

0130M00141            INDUCTOR, 5.9 AMPS (GMPE100-4) (M5, M6, M15, M16, M17, M18, M19, M20, M21, M22)

0130F00038            LIMIT, PRIMARY 120 LT BLUE

0130M00063            LIMIT, PRIMARY, 140, GOLD (M5, M6, M15, M16)

10123529            MANUAL RESET R.O.S. LIMIT (QTY 2)

0131M00270            MOTOR, 1/2 HP, SERIAL ECM (M1, M2, M3, M4, M7, M8, M9, M10, M11, M12, M13, M14)

0131M00271            MOTOR, 3/4 HP, SERIAL ECM (M5, M6, M15, M16, M17, M18, M19, M20, M21, M22)

0131M00781P            MOTOR, VENT 2-STAGE

PCBKF105            PCB CONTROL BOARD

20162903            PRIMARY LIMIT - BLUE (M1, M2, M3, M4)

20162905            PRIMARY LIMIT - YELLOW (M21, M22)

0130F00008            SINI IGNITOR

10690402            SWITCH-INTERLOCK

0130M00140            TRANSFORMER,(120V TO 24V,40VA,

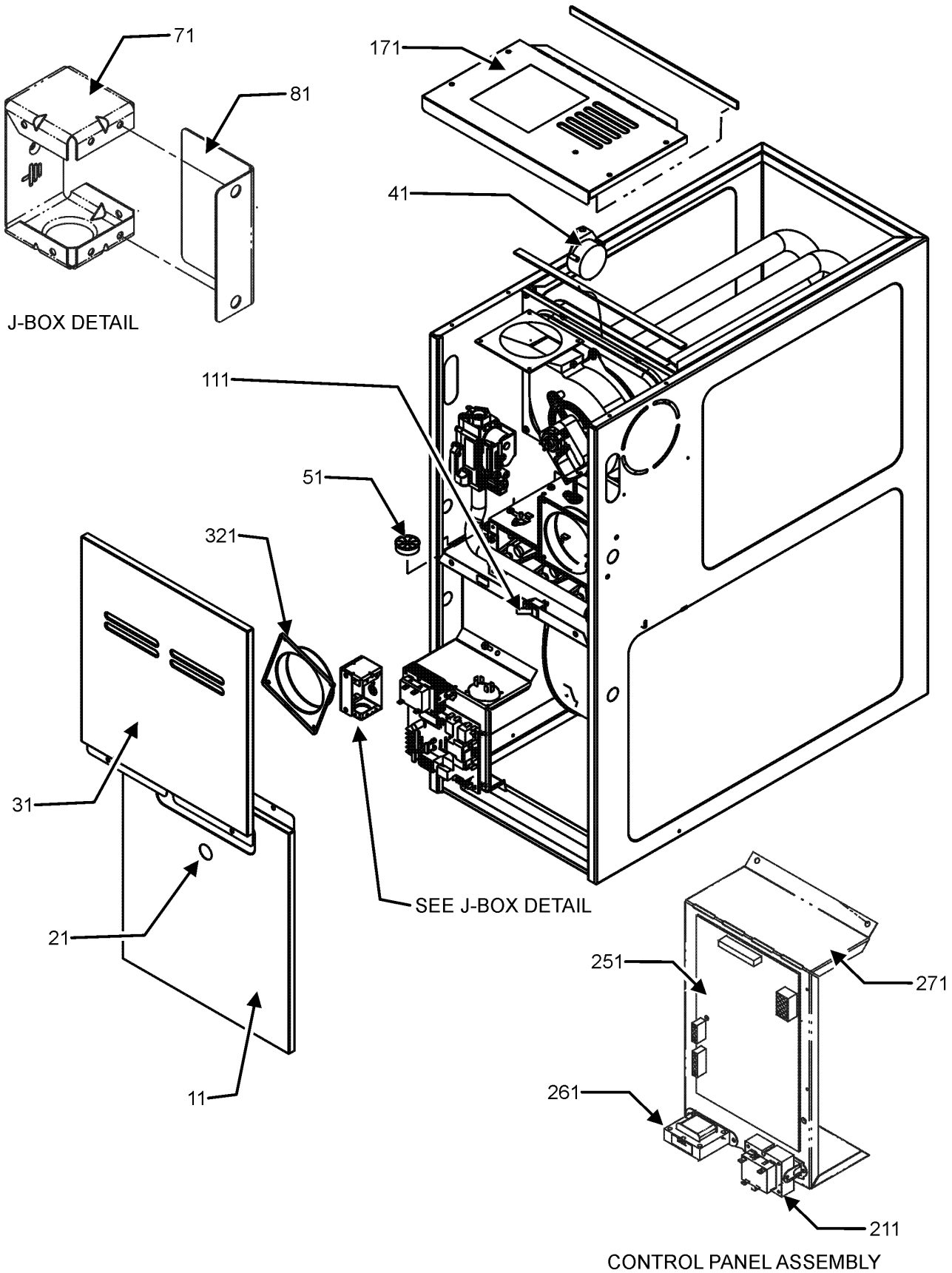
## Expanded Model Nomenclature

M1 - GMVC80603BNBC  
 M2 - GMVC80603BNBD  
 M3 - GMVC80603BXBC  
 M4 - GMVC80603BXBD  
 M5 - GMVC80604BNBD  
 M6 - GMVC80604BXBD  
 M7 - GMVC80803BNBC  
 M8 - GMVC80803BNBD  
 M9 - GMVC80803BXBC  
 M10 - GMVC80803BXBD  
 M11 - GMVC80804CNBC  
 M12 - GMVC80804CNBD  
 M13 - GMVC80804CXBC  
 M14 - GMVC80804CXBD  
 M15 - GMVC80805CNBD  
 M16 - GMVC80805CXBD  
 M17 - GMVC80805DNBC  
 M18 - GMVC80805DNBD  
 M19 - GMVC80805DXBC  
 M20 - GMVC80805DXBD  
 M21 - GMVC81005CNBD  
 M22 - GMVC81005CXBD

### SPECIAL PARTS

0161F00007            GOODMAN NAMEPLATE

# CABINET ASSEMBLY

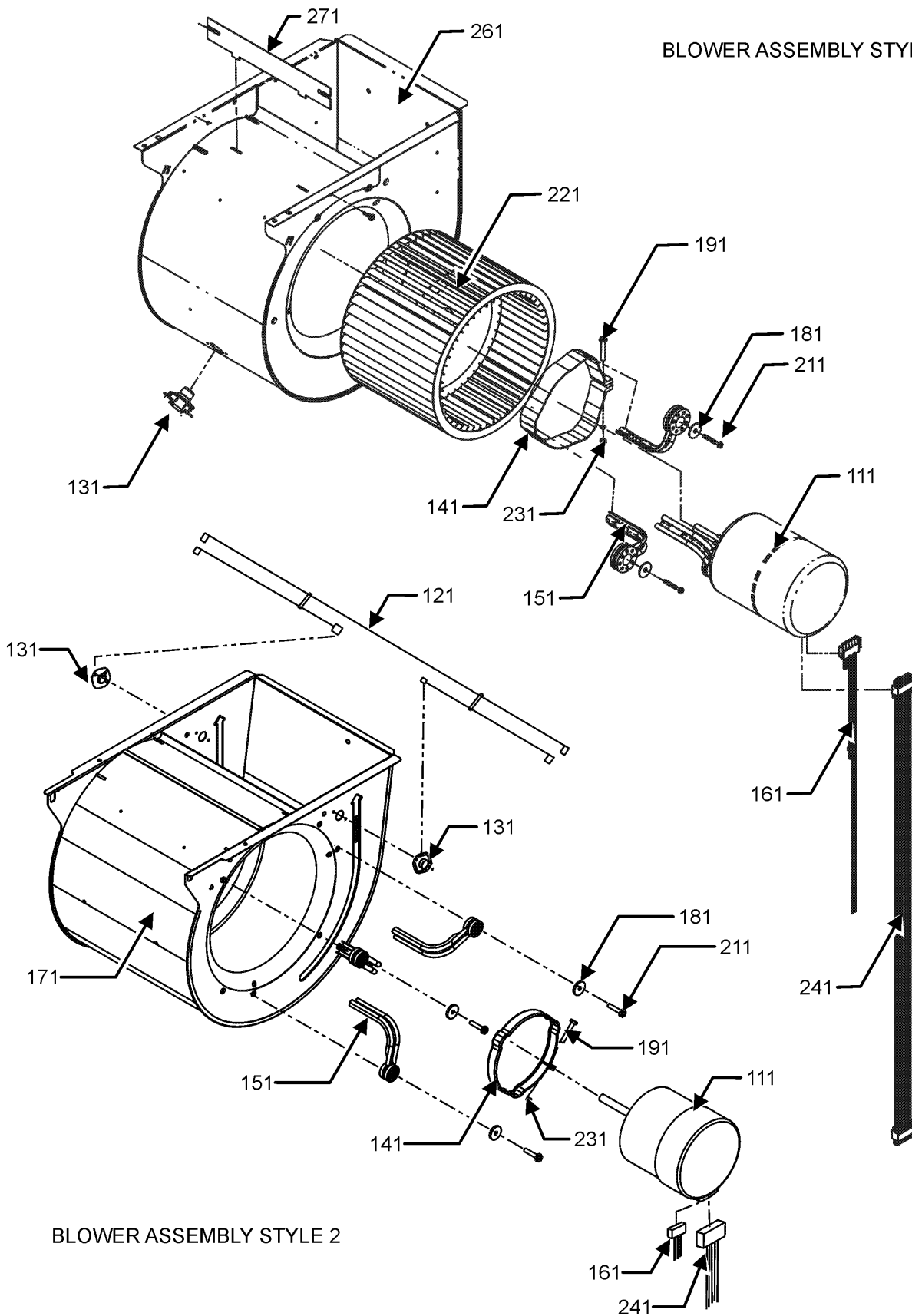


# CABINET ASSEMBLY

Ref. Part No: No:	Description:	Ref. Part No: No:	Description:
<i>Image 1:</i>		<b>Expanded Model Nomenclature</b>	
11	0121F00123DG DOOR, BLOWER, 17.5"-PAINTED (M1, M2, M3, M4, M5, M6, M7, M8, M9, M10)	M1 - GMVC80603BNBC	
11	0121F00124DG DOOR, BLOWER, 21"-PAINTED (M11, M12, M13, M14, M15, M16, M21, M22)	M2 - GMVC80603BNBD	
11	0121F00125DG DOOR, BLOWER, 24.5"-PAINTED (M17, M18, M19, M20)	M3 - GMVC80603BXBC	
21	B1392139 VIEW PORT BUSHING-BLOWER DOOR	M4 - GMVC80603BXBD	
31	0121F00120DG DOOR CTRL ACCESS, 21"-PAINTED (M11, M12, M13, M14, M15, M16, M21, M22)	M5 - GMVC80604BNBD	
31	0121F00119DG DOOR CTRL ACCESS, 17.5"-PAINTED (M1, M2, M3, M4, M5, M6, M7, M8, M9, M10)	M6 - GMVC80604BXBD	
31	0121F00121DG DOOR CTRL ACCESS, 24.5"-PAINTED (M17, M18, M19, M20)	M7 - GMVC80803BNBC	
41	0130F00049 AIR PRESSURE SWITCH (M5, M6, M15, M16)	M8 - GMVC80803BNBD	
41	0130F00569 DUAL STAGE PRESSURE SWITCH (M7, M8, M9, M10)	M9 - GMVC80803BXBC	
41	0130F00570 DUAL STAGE PRESSURE SWITCH (M11, M12, M13, M14)	M10 - GMVC80803BXBD	
41	0130F00571 DUAL STAGE PRESSURE SWITCH (M1, M2, M3, M4, M17, M18, M19, M20)	M11 - GMVC80804CNBC	
51	B1392147 UNIVERSAL BUSHING WITH SLICE	M12 - GMVC80804CNBD	
71	4014502 J-BOX	M13 - GMVC80804CXBC	
81	4015502 COVER, J-BOX	M14 - GMVC80804CXBD	
111	10690402 SWITCH-INTERLOCK	M15 - GMVC80805CNBD	
171	0121F00142DG TOP, FURNACE 17.5"-PAINTED (M1, M2, M3, M4, M5, M6, M7, M8, M9, M10)	M16 - GMVC80805CXBD	
171	0121F00143DG TOP, FURNACE 21"-PAINTED (M11, M12, M13, M14, M15, M16, M21, M22)	M17 - GMVC80805DNBC	
171	0121F00463DG TOP, FURNACE 24.5" PAINTED (M17, M18, M19, M20)	M18 - GMVC80805DNBD	
211	0130M00140 TRANSFORMER, (120V TO 24V, 40VA,	M19 - GMVC80805DXBC	
251	PCBKF105 PCB CONTROL BOARD	M20 - GMVC80805DXBD	
261	0130M00141 INDUCTOR, 5.9 AMPS (GMPE100-4) (M5, M6, M15, M16, M17, M18, M19, M20, M21, M22)	M21 - GMVC81005CNBD	
271	0121F00218 PANEL, CONTROL MOUNTING	M22 - GMVC81005CXBD	
321	4023500 CHIMNEY TRANSITION TOP		
NS	0161F00007 GOODMAN NAMEPLATE		

# BLOWER ASSEMBLY

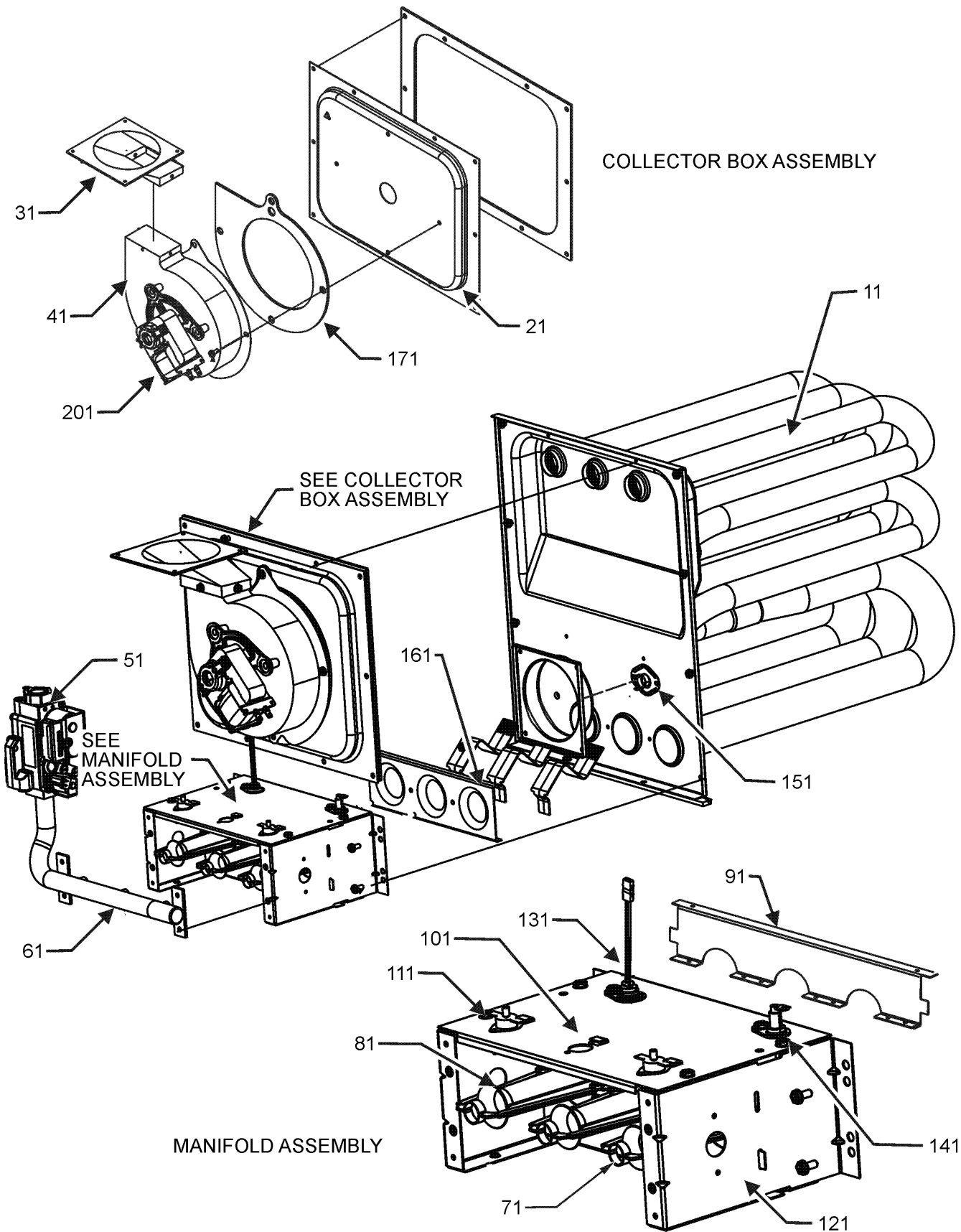
BLOWER ASSEMBLY STYLE 1



# BLOWER ASSEMBLY

Ref. Part No: No:	Description:	Ref. Part No: No:	Description:
<b>Image 1:</b>		<b>Expanded Model Nomenclature</b>	
111	0131M00270	MOTOR, 1/2 HP, SERIAL ECM (M1, M2, M3, M4, M7, M8, M9, M10, M11, M12, M13, M14)	M1 - GMVC80603BNBC
111	0131M00271	MOTOR, 3/4 HP, SERIAL ECM (M5, M6, M15, M16, M17, M18, M19, M20, M21, M22)	M2 - GMVC80603BNBD
121	0259F00024	WIRE HARNESS-BLOWER (M11, M12, M13, M14, M17, M18, M19, M20)	M3 - GMVC80603BXBC
131	0130F00038	LIMIT, PRIMARY 120 LT BLUE	M4 - GMVC80603BXBD
141	0121M00038	MOTOR MOUNT BAND (M1, M2, M3, M4, M5, M6, M7, M8, M9, M10)	M5 - GMVC80604BNBD
141	0121M00039	MOTOR MOUNT BAND (HEAVY DUTY) (M11, M12, M13, M14, M15, M16, M17, M18, M19, M20, M21, M22)	M6 - GMVC80604BXBD
151	B1376853	MOTOR MOUNT ARM (M1, M2, M3, M4, M5, M6, M7, M8, M9, M10)	M7 - GMVC80803BNBC
151	B1376863	MOTOR MOUNT ARM (HEAVY DUTY) (M11, M12, M13, M14, M15, M16, M17, M18, M19, M20, M21, M22)	M8 - GMVC80803BNBD
161	0259F00049	HARNESS-POWER	M9 - GMVC80803BXBC
171	0271F00303	BLOWER SHELL & WHEEL (M11, M12, M13, M14, M17, M18, M19, M20)	M10 - GMVC80803BXBD
181	B1392918	WASHER, FLAT 1/4 ID X 1 OD (QTY 3)	M11 - GMVC80804CNBC
191	0163M00320	HEX HEAD ALL THREAD TAP BOLT	M12 - GMVC80804CNBD
211	M0250565	SCREW-TC 1.25" (QTY 3)	M13 - GMVC80804CXBC
221	B1368047	BLOWER WHEEL (10 X 10) (M15, M16, M21, M22)	M14 - GMVC80804CXBD
221	0150M00043	WHEEL, BLOWER (10 X 8) (M1, M2, M3, M4, M7, M8, M9, M10)	M15 - GMVC80805CNBD
221	B1368016	WHEEL, BLOWER, 10X8 (M5, M6)	M16 - GMVC80805CXBD
231	B1393800	LOCKNUT, NYLON INSERT 1/4 20	M17 - GMVC80805DNBC
241	0259M00008	WIRE HARNESS	M18 - GMVC80805DNBD
261	0271F00111	BLOWER SHELL ASSY (M1, M2, M3, M4, M5, M6, M7, M8, M9, M10)	M19 - GMVC80805DXBC
261	0271F00112	BLOWER SHELL ASSY (M15, M16, M21, M22)	M20 - GMVC80805DXBD
271	764741	BLWR BLK-OFF,10X10 (M15, M16, M21, M22)	M21 - GMVC81005CNBD
271	764740	BLWR BLK-OFF,10X8 (M1, M2, M3, M4, M5, M6, M7, M8, M9, M10)	M22 - GMVC81005CXBD
NS	0130F00415	DATA, FURNACE PCB (M5)	
NS	0130F00416	DATA, FURNACE PCB (M6)	
NS	0130F00417	DATA, FURNACE PCB (M15)	
NS	0130F00418	DATA, FURNACE PCB (M16)	
NS	0130F00419	DATA, FURNACE PCB (M21)	
NS	0130F00420	DATA, FURNACE PCB (M22)	
NS	0130F00533	DATA, FURNACE PCB (M1, M2)	
NS	0130F00534	DATA, FURNACE PCB (M3, M4)	
NS	0130F00535	DATA, FURNACE PCB (M7, M8)	
NS	0130F00536	DATA, FURNACE PCB (M9, M10)	
NS	0130F00537	DATA, FURNACE PCB (M11, M12)	
NS	0130F00538	DATA, FURNACE PCB (M13, M14)	
NS	0130F00539	DATA, FURNACE PCB (M17, M18)	
NS	0130F00540	DATA, FURNACE PCB (M19, M20)	

# HEAT EXCHANGE ASSEMBLY



# HEAT EXCHANGE ASSEMBLY

Ref. Part No: No:	Description:	Ref. Part No: No:	Description:
<i>Image 1:</i>		<b>Expanded Model Nomenclature</b>	
11	0270F00902	HEAT EXCHANGER ASSY (M7, M8, M9, M10)	M1 - GMVC80603BNBC
11	0270F00903	HEAT EXCHANGER ASSY (M21, M22)	M2 - GMVC80603BNBD
11	0270F00929	HEAT EXCHANGER ASSY (M1, M2, M3, M4, M5, M6)	M3 - GMVC80603BXBC
11	0270F00930	HEAT EXCHANGER ASSY (M11, M12, M13, M14, M15, M16)	M4 - GMVC80603BXBD
11	0270F02961	HEAT EXCHANGER ASSY (M17, M18, M19, M20)	M5 - GMVC80604BNBD
21	0121F00328	17.5" COLLECTOR BOX 1.250" DIA (M1, M2, M3, M4)	M6 - GMVC80604BXBD
21	0121F00332	17.5" COLLECTOR BOX 1.375" DIA (M5, M6)	M7 - GMVC80803BNBC
21	0121F00334	21" COLLECTOR BOX 1.625" DIA (M17, M18, M19, M20)	M8 - GMVC80803BNBD
21	0121F00333	21" COLLECTOR BOX 1.75" DIA (M21, M22)	M9 - GMVC80803BXBC
21	0121F00336	21" FLUE COLLECTOR BOX 1.50" (M15, M16)	M10 - GMVC80803BXBD
21	0121F00655	COLLECTOR BOX 17.5" 1.437 DIA (M7, M8, M9, M10)	M11 - GMVC80804CNBC
21	0121F00659	COLLECTOR BOX 21" 1.40 DIA (M11, M12, M13, M14)	M12 - GMVC80804CNBD
31	0128F00006	CHIMNEY TRANSITION BOTTOM	M13 - GMVC80804CXBC
41	0131M00781P	MOTOR, VENT 2-STAGE	M14 - GMVC80804CXBD
51	0151M00027	GAS VALVE	M15 - GMVC80805CNBD
61	0120F00007	MANIFOLD (M1, M2, M3, M4, M5, M6)	M16 - GMVC80805CXBD
61	0120F00008	MANIFOLD (M7, M8, M9, M10, M11, M12, M13, M14, M15, M16, M17, M18, M19, M20)	M17 - GMVC80805DNBC
61	0120F00009	MANIFOLD (M21, M22)	M18 - GMVC80805DNBD
71	10716005	ORIFICE, #45 DRILL (QTY 3)	M19 - GMVC80805DXBC
81	B4022700	INSHOT BURNER ASSY 3" (QTY 3)	M20 - GMVC80805DXBD
91	0121F00168	BURNER RACK, 3 CELL (M1, M2, M3, M4, M5, M6)	M21 - GMVC81005CNBD
91	0121F00169	BURNER RACK, 4 CELL (M7, M8, M9, M10, M11, M12, M13, M14, M15, M16, M17, M18, M19, M20)	M22 - GMVC81005CXBD
91	0121F00170	BURNER RACK, 5 CELL (M21, M22)	
101	0121F00163	TOP, BURNER BOX 3 CELL (M1, M2, M3, M4, M5, M6)	
101	0121F00164	TOP, BURNER BOX 4 CELL (M7, M8, M9, M10, M11, M12, M13, M14, M15, M16, M17, M18, M19, M20)	
101	0121F00165	TOP, BURNER BOX 5 CELL (M21, M22)	
111	10123529	MANUAL RESET R.O.S. LIMIT (QTY 2)	
121	0121F00146	BURNER BOX SIDE (QTY 2)	
131	0130F00008	SINI IGNITOR	
141	0130F00010	FLAME SENSOR	
151	20162904	*PRIMARY LIMIT-TEMPERATURE CONTROL (M7, M8, M9, M10, M11, M12, M13, M14, M17, M18, M19, M20) *Refer to service bulletin SF-054	
151	0130M00063	LIMIT, PRIMARY, 140, GOLD (M5, M6, M15, M16)	
151	20162903	PRIMARY LIMIT - BLUE (M1, M2, M3, M4)	
151	20162905	PRIMARY LIMIT - YELLOW (M21, M22)	
161	4028001	ORIFICE PLATE, 3CELL (M1, M2, M5)	
161	4028002	ORIFICE PLATE, 4CELL (M3, M4, M6, M7, M8, M9, M10, M11, M12, M13, M14, M15, M16, M17, M18, M19, M20)	
161	4028003	ORIFICE PLATE, 5CELL (M21, M22)	
171	0154F00004	GASKET-17.5 INCH (M1, M2, M3, M4, M5, M6, M7, M8, M9, M10)	
171	0154F00005	GASKET-21 INCH (M11, M12, M13, M14, M15, M16, M17, M18, M19, M20, M21, M22)	
201	DY6.186.070	VENT MOTOR CAPACITOR	
NS	0259M00005	ADAPTER HARNESS	
NS	0259F00062	INDUCER HARNESS ASSY	
NS	0259F00063	WIRE HARNESS ASSY	
NS	0259F00081	WIRE HARNESS ASSY (M1, M3, M7, M9, M11, M13, M17, M19)	
NS	0259F00276	WIRE HARNESS ASSY (M2, M4, M5, M6, M8, M10, M12, M14, M15, M16, M18, M20, M21, M22)	