



# REPAIR PARTS

---

## GMVC 80% Two Stage Variable Speed ECM Upflow Furnace

GMVC80603BNCA  
GMVC80603BXCA  
GMVC80604BNCA  
GMVC80604BXCA  
GMVC80803BNCA  
GMVC80803BXCA  
GMVC80804CNCA  
GMVC80804CXCA  
GMVC80805CNCA  
GMVC80805CXCA  
GMVC80805DNCA  
GMVC80805DXCA  
GMVC81005CNCA  
GMVC81005CXCA



This manual is to be used by qualified technicians only.

© 2018 Goodman Manufacturing Company, L.P. ♦ 5151 San Felipe St, Suite 500 ♦ Houston, TX 77056

# Important Information

---

## Index

Functional Parts List .....	3
Illustration and Parts .....	4 - 9

*Views shown are for parts illustrations only, not servicing procedures.*

### Text Codes:

AR - As Required

NA - Not Available

NS - Not Shown

00000000 - See Note

QTY - Quantity Example (QTY 3) (If Quantity not shown, Quantity = 1)

M - Model Example (M1) (If M Code not shown, then part is used on all Models)

### Expanded Model Nomenclature:

Example M1 - Model#1 M2 - Model#2 M3 - Model#3
---------------------------------------------------------

Goodman Manufacturing Company, L.P. is not responsible for personal injury or property damage resulting from improper service. Review all service information before beginning repairs.

Warranty service must be performed by an authorized technician, using authorized factory parts. If service is required after the warranty expires, Goodman Manufacturing Company, L.P. also recommends contacting an authorized technician and using authorized factory parts.

Goodman Manufacturing Company, L.P. reserves the right to discontinue, or change at any time, specifications or designs without notice or without incurring obligations.

For assistance within the U.S.A. contact:  
Homeowner Support  
Goodman Manufacturing Company, L.P.  
19001 Kermier Road  
Waller, Texas 77484  
877-254-4729-Telephone  
713-863-2382-Facsimile

For assistance outside the U.S.A. contact:  
International Division  
Goodman Manufacturing Company, L.P.  
19001 Kermier Road  
Waller, Texas 77484  
713-861-2500-Telephone  
713-863-2382-Facsimile

# Functional Parts

**Part No:**            **Description:**

20162904	*PRIMARY LIMIT-TEMPERATURE CONTROL (M5, M6, M7, M8, M11, M12) *Refer to service bulletin SF-054
0130F00573	AIR PRESSURE SWITCH (M7, M8)
0130F00574	AIR PRESSURE SWITCH (M1, M2, M11, M12)
0130F00572	AIR PRESSURE SWITCH (M5, M6)
0130F00675	DATA, FURNACE PCB (M6)
0130F00670	DATA, FURNACE PCB (M1)
0130F00671	DATA, FURNACE PCB (M2)
0130F00672	DATA, FURNACE PCB (M3)
0130F00674	DATA, FURNACE PCB (M5)
0130F00676	DATA, FURNACE PCB (M7)
0130F00677	DATA, FURNACE PCB (M8)
0130F00678	DATA, FURNACE PCB (M9)
0130F00679	DATA, FURNACE PCB (M10)
0130F00681	DATA, FURNACE PCB (M12)
0130F00682	DATA, FURNACE PCB (M13)
0130F00683	DATA, FURNACE PCB (M14)
0130F00680	DATA, FURNACE PCB (M11)
0130F00673	DATA, FURNACE PCB (M4)
0130F00508	DUAL STAGE PRESSURE SWITCH (M13, M14)
0130F00509	DUAL STAGE PRESSURE SWITCH (M3, M4, M9, M10)
0130F00010	FLAME SENSOR
0151M00027	GAS VALVE
0130M00141	INDUCTOR, 5.9 AMPS (GMPE100-4) (M3, M4, M7, M8, M9, M10, M11, M12, M13, M14)
10690402	INTERLOCK SWITCH
0130F00038	LIMIT, PRIMARY 120 LT BLUE
0130M00063	LIMIT, PRIMARY, 140, GOLD (M3, M4, M9, M10)
20162905	LIMIT-YELLOW (M13, M14)
10123529	MANUAL RESET R.O.S. LIMIT (QTY 2)
0131M00270	MOTOR, 1/2 HP, SERIAL ECM (M1, M2, M5, M6, M7, M8)
0131M00271	MOTOR, 3/4 HP, SERIAL ECM (M3, M4, M9, M10, M11, M12, M13, M14)
0131M00781P	MOTOR, VENT 2-STAGE
PCBKF106	PCB, CONTROL, FURNACE
PCBCM100	PCB, CONTROL, FURNACE
20162903	PRIMARY LIMIT - BLUE (M1, M2)
0130F00008	SINI IGNITOR
0130M00140	TRANSFORMER,(120V TO 24V,40VA,

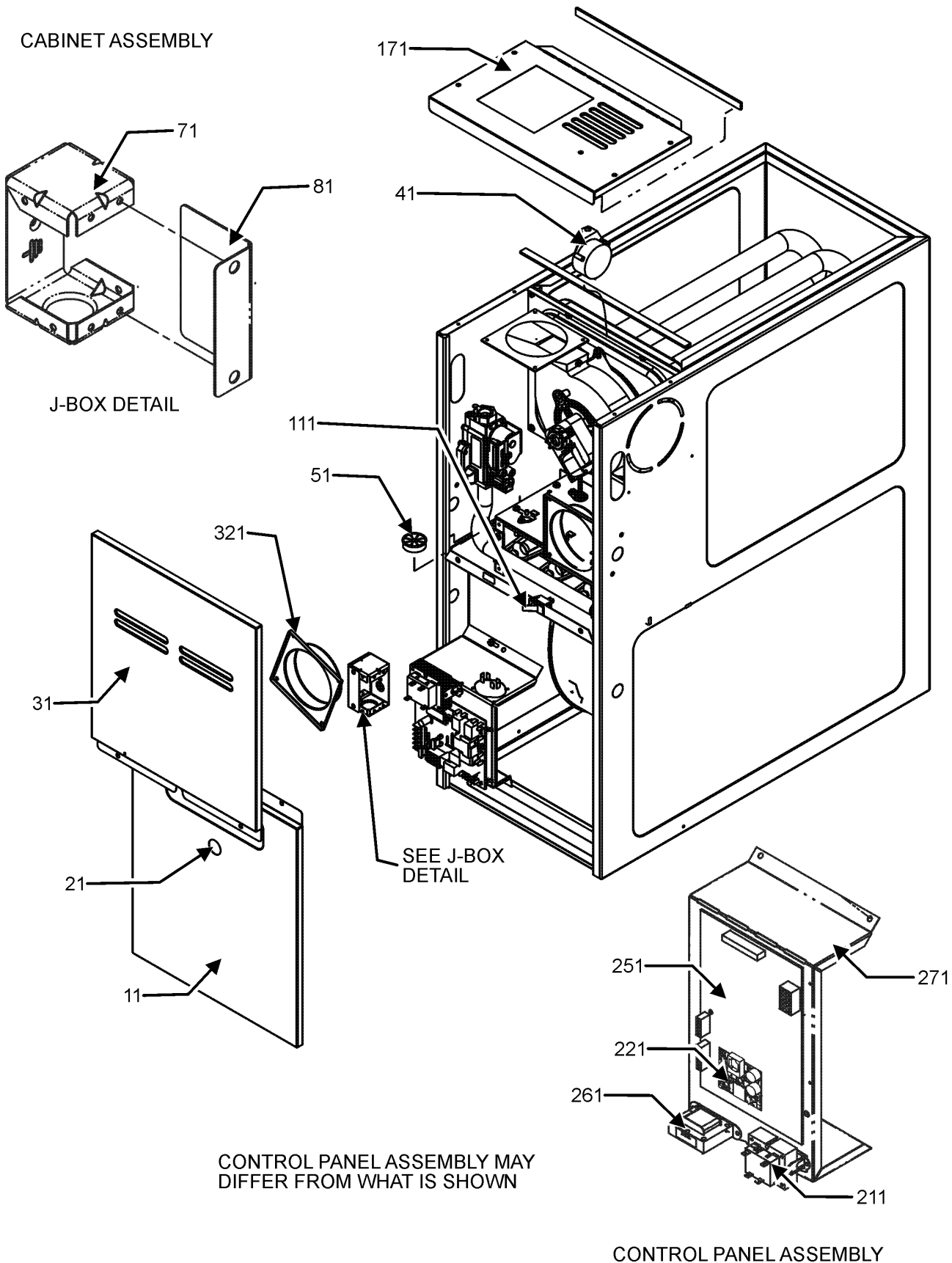
## Expanded Model Nomenclature

M1 - GMVC80603BNCA
M2 - GMVC80603BXCA
M3 - GMVC80604BNCA
M4 - GMVC80604BXCA
M5 - GMVC80803BNCA
M6 - GMVC80803BXCA
M7 - GMVC80804CNCA
M8 - GMVC80804CXCA
M9 - GMVC80805CNCA
M10 - GMVC80805CXCA
M11 - GMVC80805DNCA
M12 - GMVC80805DXCA
M13 - GMVC81005CNCA
M14 - GMVC81005CXCA

### SPECIAL PARTS

0161F00007	GOODMAN NAMEPLATE
------------	-------------------

# Cabinet and Control Panel Assembly



# Cabinet and Control Panel Assembly

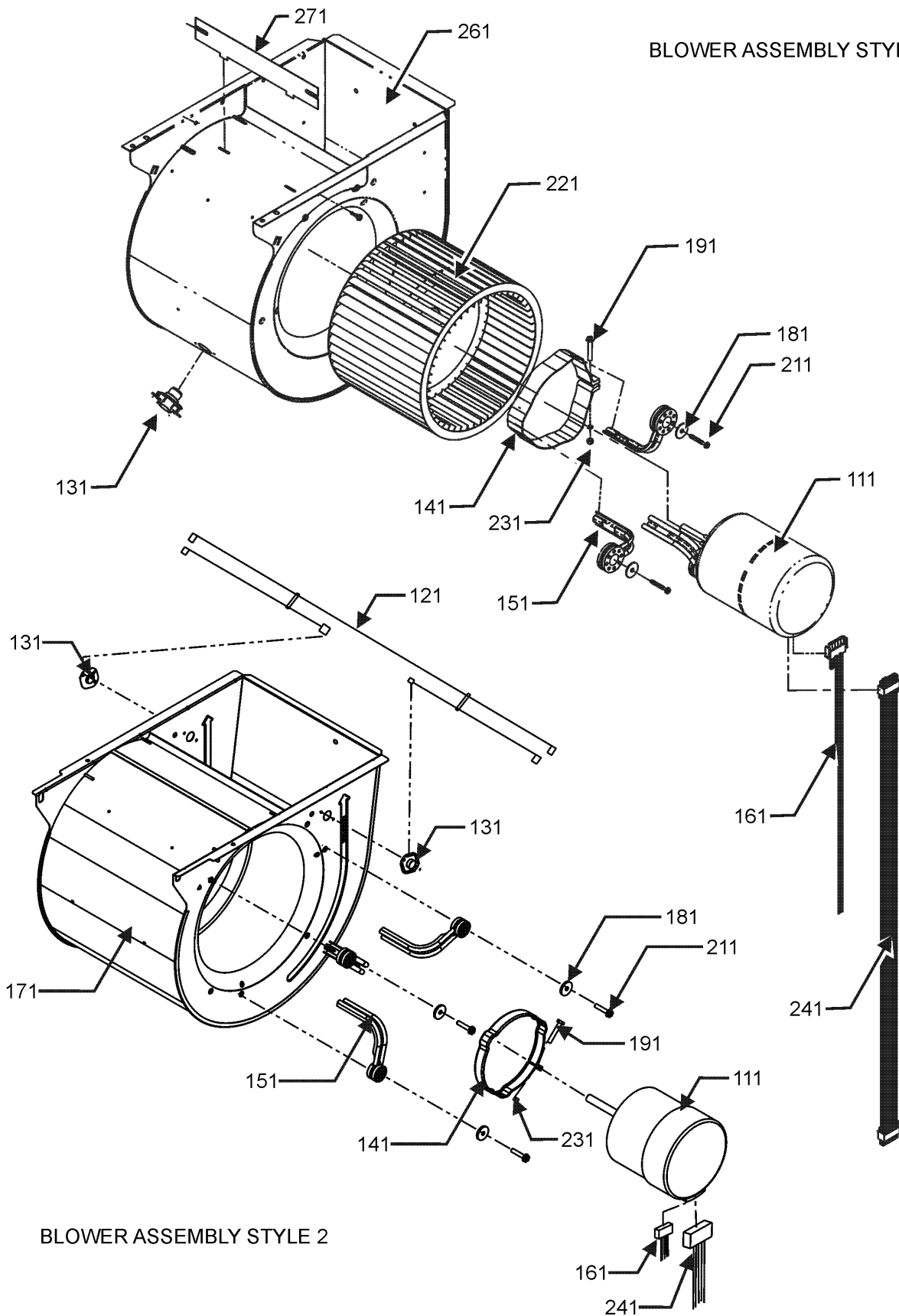
Ref. Part No:	Ref. Part No:	Description:	Description:
<b>Image 1:</b>			
11	0121F00123DG	BLOWER ACCESS DOOR 17.5" (M1, M2, M3, M4, M5, M6)	
11	0121F00124DG	BLOWER ACCESS DOOR 21" (M7, M8, M9, M10, M13, M14)	
11	0121F00125DG	BLOWER ACCESS DOOR 24.5" (M11, M12)	
21	B1392139	VIEW PORT BUSHING-BLOWER DOOR	
31	0121F00119DG	CONTROL ACCESS DOOR 17.5" (M1, M2, M3, M4, M5, M6)	
31	0121F00120DG	CONTROL ACCESS DOOR 21" (M7, M8, M9, M10, M13, M14)	
31	0121F00121DG	CONTROL ACCESS DOOR 24.5" (M11, M12)	
41	0130F00572	AIR PRESSURE SWITCH (M5, M6)	
41	0130F00573	AIR PRESSURE SWITCH (M7, M8)	
41	0130F00574	AIR PRESSURE SWITCH (M1, M2, M11, M12)	
41	0130F00508	DUAL STAGE PRESSURE SWITCH (M13, M14)	
41	0130F00509	DUAL STAGE PRESSURE SWITCH (M3, M4, M9, M10)	
51	B1392147	UNIVERSAL BUSHING WITH SLICE	
71	4014502	J-BOX	
81	4015502	COVER, J-BOX	
111	10690402	INTERLOCK SWITCH	
171	0121F00142DG	TOP 17.5" (M1, M2, M3, M4, M5, M6)	
171	0121F00143DG	TOP 21" (M7, M8, M9, M10, M13, M14)	
171	0121F00463DG	TOP, FURNACE 24.5" (M11, M12)	
211	0130M00140	TRANSFORMER,(120V TO 24V,40VA,	
221	PCBCM100	PCB, CONTROL, FURNACE	
251	PCBKF106	PCB, CONTROL, FURNACE	
261	0130M00141	INDUCTOR, 5.9 AMPS (GMPE100-4) (M3, M4, M7, M8, M9, M10, M11, M12, M13, M14)	
271	0121F00218	PANEL, CONTROL MOUNTING	
321	4023500	CHIMNEY TRANSITION TOP	
NS	0159F00083	CABLE, RJ12	
NS	0161F00007	GOODMAN NAMEPLATE	
NS	0259F00062	INDUCER HARNESS ASSY	

## Expanded Model Nomenclature

M1 - GMVC80603BNCA
M2 - GMVC80603BXCA
M3 - GMVC80604BNCA
M4 - GMVC80604BXCA
M5 - GMVC80803BNCA
M6 - GMVC80803BXCA
M7 - GMVC80804CNCA
M8 - GMVC80804CXCA
M9 - GMVC80805CNCA
M10 - GMVC80805CXCA
M11 - GMVC80805DNCA
M12 - GMVC80805DXCA
M13 - GMVC81005CNCA
M14 - GMVC81005CXCA

# Blower Assembly

BLOWER ASSEMBLY STYLE 1



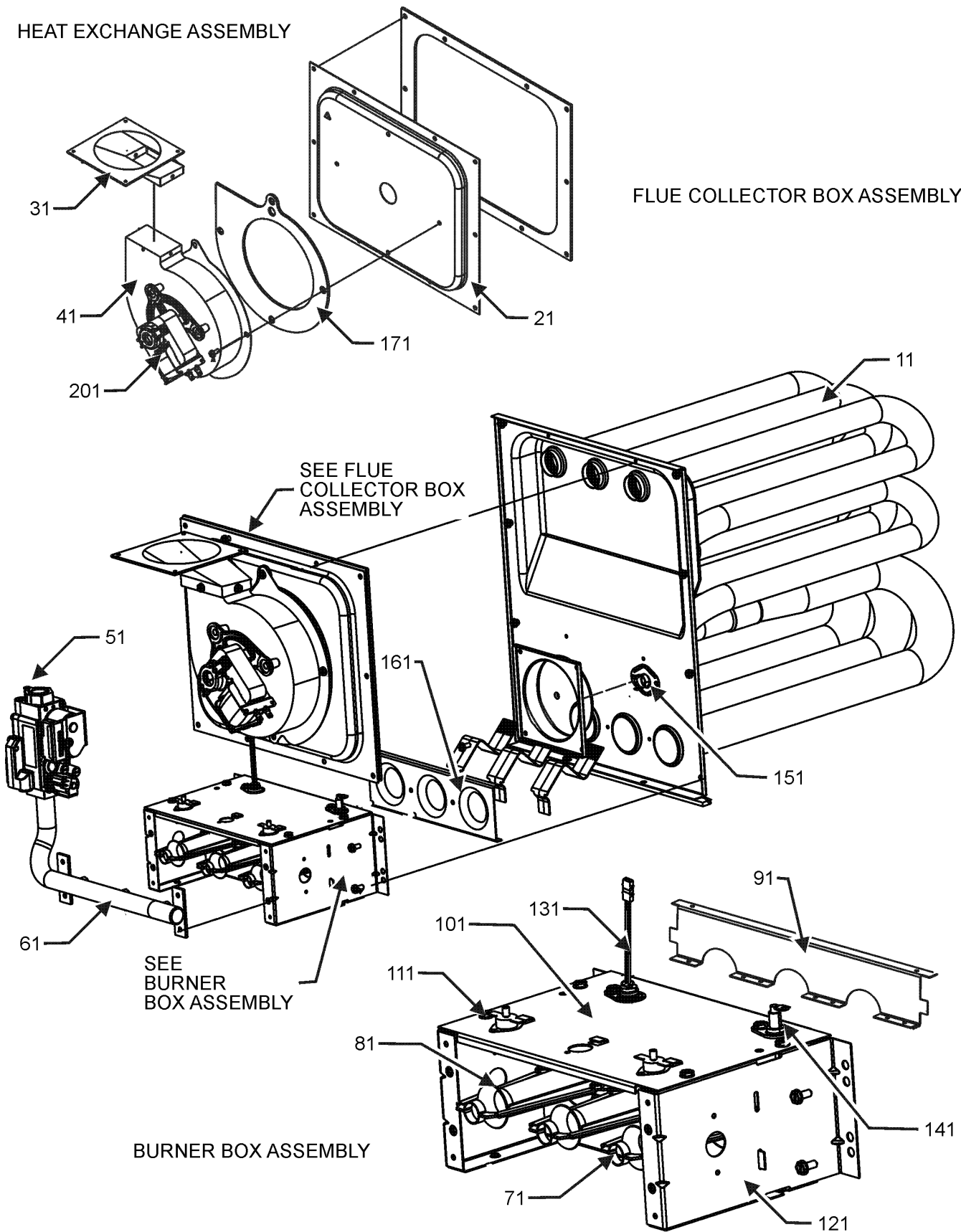
# Blower Assembly

Ref. Part No:	No:	Description:	Ref. Part No:	No:	Description:
<i>Image 1:</i>			<b>Expanded Model Nomenclature</b>		
111	0131M00270	MOTOR, 1/2 HP, SERIAL ECM (M1, M2, M5, M6, M7, M8)	M1 -	GMVC80603BNCA	
111	0131M00271	MOTOR, 3/4 HP, SERIAL ECM (M3, M4, M9, M10, M11, M12, M13, M14)	M2 -	GMVC80603BXCA	
121	0259F00024	WIRE HARNESS-BLOWER (M7, M8, M11, M12)	M3 -	GMVC80604BNCA	
131	0130F00038	LIMIT, PRIMARY 120 LT BLUE	M4 -	GMVC80604BXCA	
141	0121M00038	MOTOR MOUNT BAND (M1, M2, M3, M4, M5, M6)	M5 -	GMVC80803BNCA	
141	0121M00039	MOTOR MOUNT BAND (HEAVY DUTY) (M7, M8, M9, M10, M11, M12, M13, M14)	M6 -	GMVC80803BXCA	
151	B1376853	MOTOR MOUNT ARM (M1, M2, M3, M4, M5, M6)	M7 -	GMVC80804CNCA	
151	B1376863	MOTOR MOUNT ARM (HEAVY DUTY) (M7, M8, M9, M10, M11, M12, M13, M14)	M8 -	GMVC80804CXCA	
161	0259F00049	HARNESS-POWER	M9 -	GMVC80805CNCA	
171	0271F00303	BLOWER SHELL & WHEEL (M7, M8, M11, M12)	M10 -	GMVC80805CXCA	
181	B1392918	WASHER, FLAT 1/4 ID X 1 OD (QTY 3)	M11 -	GMVC80805DNCA	
191	0163M00320	HEX HEAD ALL THREAD TAP BOLT	M12 -	GMVC80805DXCA	
211	M0250565	SCREW-TC 1.25" (QTY 3)	M13 -	GMVC81005CNCA	
221	B1368047	BLOWER WHEEL (10 X 10) (M9, M10, M13, M14)	M14 -	GMVC81005CXCA	
221	0150M00043	WHEEL, BLOWER (10X8) (M1, M2, M5, M6)			
221	B1368016	WHEEL, BLOWER, 10X8 (M3, M4)			
231	B1393800	LOCKNUT, NYLON INSERT 1/4 20			
241	0259M00008	WIRE HARNESS			
261	0271F00111	BLOWER SHELL ASSY (M1, M2, M3, M4, M5, M6)			
261	0271F00112	BLOWER SHELL ASSY (M9, M10, M13, M14)			
271	764741	BLWR BLK-OFF, 10X10 (M9, M10, M13, M14)			
271	764740	BLWR BLK-OFF, 10X8 (M1, M2, M3, M4, M5, M6)			
NS	0130F00670	DATA, FURNACE PCB (M1)			
NS	0130F00671	DATA, FURNACE PCB (M2)			
NS	0130F00672	DATA, FURNACE PCB (M3)			
NS	0130F00673	DATA, FURNACE PCB (M4)			
NS	0130F00674	DATA, FURNACE PCB (M5)			
NS	0130F00675	DATA, FURNACE PCB (M6)			
NS	0130F00676	DATA, FURNACE PCB (M7)			
NS	0130F00677	DATA, FURNACE PCB (M8)			
NS	0130F00678	DATA, FURNACE PCB (M9)			
NS	0130F00679	DATA, FURNACE PCB (M10)			
NS	0130F00680	DATA, FURNACE PCB (M11)			
NS	0130F00681	DATA, FURNACE PCB (M12)			
NS	0130F00682	DATA, FURNACE PCB (M13)			
NS	0130F00683	DATA, FURNACE PCB (M14)			

# Heat Exchange Assembly

HEAT EXCHANGE ASSEMBLY

FLUE COLLECTOR BOX ASSEMBLY



# Heat Exchange Assembly

Ref. Part No: No:	Description:	Ref. Part No: No:	Description:
<b>Image 1:</b>		<b>Expanded Model Nomenclature</b>	
11	0270F00902	HEAT EXCHANGER ASSY (M5, M6)	M1 - GMVC80603BNCA
11	0270F00903	HEAT EXCHANGER ASSY (M13, M14)	M2 - GMVC80603BXCA
11	0270F00929	HEAT EXCHANGER ASSY (M1, M2, M3, M4)	M3 - GMVC80604BNCA
11	0270F00930	HEAT EXCHANGER ASSY (M7, M8, M9, M10)	M4 - GMVC80604BXCA
11	0270F02961	HEAT EXCHANGER ASSY (M11, M12)	M5 - GMVC80803BNCA
21	0121F00328	17.5" COLLECTOR BOX 1.250" DIA (M1, M2)	M6 - GMVC80803BXCA
21	0121F00332	17.5" COLLECTOR BOX 1.375" DIA (M3, M4)	M7 - GMVC80804CNCA
21	0121F00334	21" COLLECTOR BOX 1.625" DIA (M11, M12)	M8 - GMVC80804CXCA
21	0121F00333	21" COLLECTOR BOX 1.75" DIA (M13, M14)	M9 - GMVC80805CNCA
21	0121F00336	21" FLUE COLLECTOR BOX 1.50" (M9, M10)	M10 - GMVC80805CXCA
21	0121F00655	COLLECTOR BOX 17.5" 1.437 DIA (M5, M6)	M11 - GMVC80805DNCA
21	0121F00659	COLLECTOR BOX 21" 1.40 DIA (M7, M8)	M12 - GMVC80805DXCA
31	0128F00006	CHIMNEY TRANSITION BOTTOM	M13 - GMVC81005CNCA
41	0131M00781P	MOTOR, VENT 2-STAGE	M14 - GMVC81005CXCA
51	0151M00027	GAS VALVE	
61	0120F00007	MANIFOLD (M1, M2, M3, M4)	
61	0120F00008	MANIFOLD (M5, M6, M7, M8, M9, M10, M11, M12)	
61	0120F00009	MANIFOLD (M13, M14)	
71	10716005	ORIFICE (QTY 3)	
81	B4022700	INSHOT BURNER ASSY 3" (QTY 3)	
91	0121F00168	BURNER RACK, 3 CELL (M1, M2, M3, M4)	
91	0121F00169	BURNER RACK, 4 CELL (M5, M6, M7, M8, M9, M10, M11, M12)	
91	0121F00170	BURNER RACK, 5 CELL (M13, M14)	
101	0121F00163	TOP, BURNER BOX 3 CELL (M1, M2, M3, M4)	
101	0121F00164	TOP, BURNER BOX 4 CELL (M5, M6, M7, M8, M9, M10, M11, M12)	
101	0121F00165	TOP, BURNER BOX 5 CELL (M13, M14)	
111	10123529	MANUAL RESET R.O.S. LIMIT (QTY 2)	
121	0121F00146	BURNER BOX SIDE (QTY 2)	
131	0130F00008	SINI IGNITOR	
141	0130F00010	FLAME SENSOR	
151	20162904	*PRIMARY LIMIT-TEMPERATURE CONTROL (M5, M6, M7, M8, M11, M12) *Refer to service bulletin SF-054	
151	0130M00063	LIMIT, PRIMARY, 140, GOLD (M3, M4, M9, M10)	
151	20162905	LIMIT-YELLOW (M13, M14)	
151	20162903	PRIMARY LIMIT - BLUE (M1, M2)	
161	4028001	ORIFICE PLATE, 3CELL (M1, M3, M4)	
161	4028002	ORIFICE PLATE, 4CELL (M2, M5, M6, M7, M8, M9, M10, M11, M12)	
161	4028003	ORIFICE PLATE, 5CELL (M13, M14)	
171	0154F00004	VENT MOTOR GASKET 17.5" (M1, M2, M3, M4, M5, M6)	
171	0154F00005	VENT MOTOR GASKET 21" (M7, M8, M9, M10, M11, M12, M13, M14)	
201	DY6.186.070	VENT MOTOR CAPACITOR	
NS	0259F00063	WIRE HARNESS ASSY	
NS	0259F00260	WIRE HARNESS ASSY	
NS	0259F00261	WIRE HARNESS ASSY	
NS	0259F00262	WIRE HARNESS ASSY	