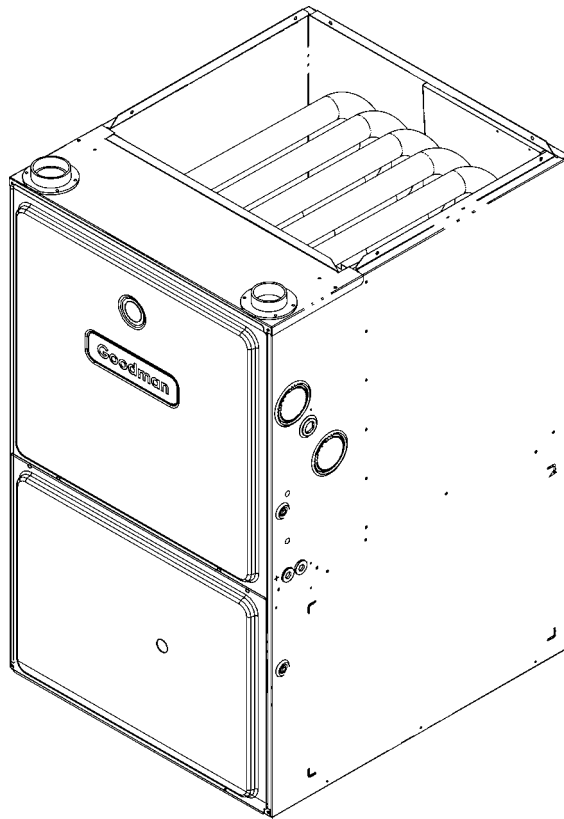




REPAIR PARTS

GMV9*AB 90% Single Stage Variable Speed Furnace

GMV950453BXAB
GMV950704CXAB
GMV950905DXAB
GMV951155DXAB



Made in the USA by:
Goodman Manufacturing Company, L.P.
2550 North Loop West, Suite 400
Houston Texas 77092

www.goodmanmfg.com

RP-420
July 2006

Important Information

Index

Functional Parts List	3
Illustration and Parts	4 - 13

Views shown are for parts illustrations only, not servicing procedures

Text Codes:

AR - As Required

NA - Not Available

NS - Not Shown

00000000 - See Note

QTY - Quantity Example (QTY 3) (If Quantity not shown, Quantity = 1)

M - Model Example (M1) (If M Code not shown, then part is used on all Models)

Expanded Model Nomenclature:

Example

M1 - Model#1

M2 - Model#2

M3 - Model#3

Goodman Manufacturing Company, L.P. is not responsible for personal injury or property damage resulting from improper service. Review all service information before beginning repairs.

Warranty service must be performed by an authorized technician, using authorized factory parts. If service is required after the warranty expires, Goodman Manufacturing Company, L.P. also recommends contacting an authorized technician and using authorized factory parts.

Goodman Manufacturing Company, L.P. reserves the right to discontinue, or change at any time, specifications or designs without notice or without incurring obligations. Goodman® brand products are proudly made in the USA.

For assistance within the U.S.A. contact:
Consumer Affairs Department
Goodman Manufacturing Company, L.P.
7401 Security Way
Houston, Texas 77040
877-254-4729-Telephone
713-863-2382-Facsimile

For assistance outside the U.S.A. contact:
International Division
Goodman Manufacturing Company, L.P.
7401 Security Way
Houston, Texas 77040
713-861-2500-Telephone
713-863-2382-Facsimile

Functional Parts

**Part
No:**

Description:

Expanded Model Nomenclature

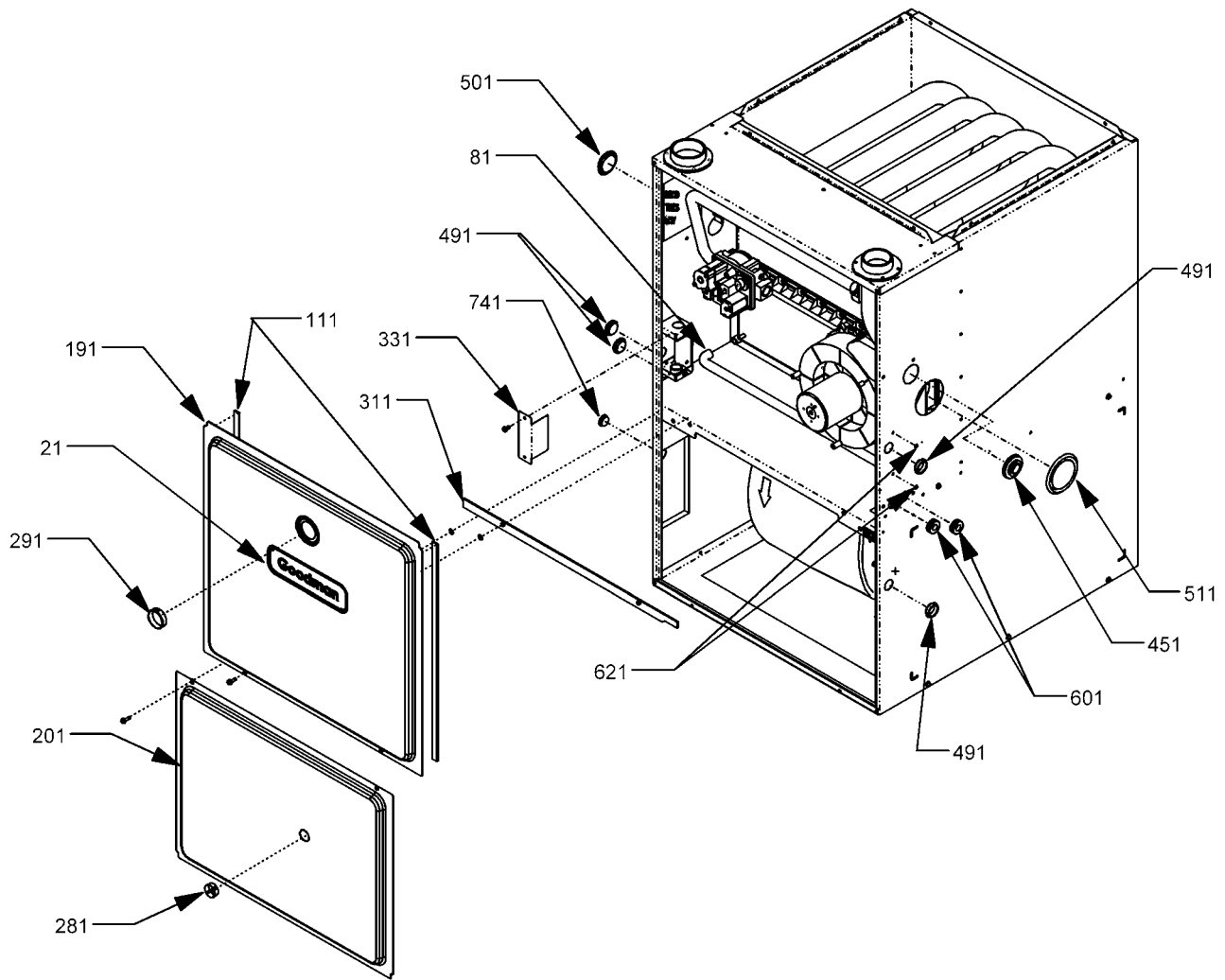
10735102S	BECKETT BURNER (QTY 2)
20245903	BLOWER-ID
B1809927S	BOARD, HSI, 2-STAGE MINI
20218901	COIL-INDUCTOR (M2, M3)
0151F00000P	GAS VALVE
11118705	HARNESS-WIRING
20276015	HARNESS-WIRING
20275905	HARNESS-WIRING
20317341	HEAT EXCHANGER ASSY 2B (M1)
20317343	HEAT EXCHANGER ASSY 3B (M2)
20317365	HEAT EXCHANGER ASSY 5B (M3)
20165703S	IGNITOR
20162907	LIMIT 230° (M2)
20162905	LIMIT 250° (M1)
20162903	LIMIT 350° (M3)
10123535	LIMIT-RESET MANUAL 150° (M1)
10123518	LIMIT-RESET MANUAL 170° (M1)
10123537	LIMIT-RESET MANUAL 190° (M2)
10123533	LIMIT-RESET MANUAL 200° (M2, M3)
20196404	MANIFOLD (M3)
20196402	MANIFOLD (M2)
20196401	MANIFOLD (M1)
20510318	MOTOR-1 HP PROGRAMMED (M3)
20508514	MOTOR-1/2 HP PROGRAMMED (M1)
20509425	MOTOR-3/4 HP PROGRAMMED (M2)
B4089343	ORIFICE (QTY 2)
20488501	SENSOR-FLAME
B1370818	SWITCH-INTERLOCK
11177114	SWITCH-PRESSURE (M3)
11177113	SWITCH-PRESSURE (M1, M2)
20197308	SWITCH-PRESSURE
B1141605	TRANSFORMER 120V TO 24V, 40VA

M1 - GMV950453BXAB
M2 - GMV950704CXAB
M3 - GMV951155DXAB

SPECIAL PARTS

PM-GTAXCRDT200	GOODMAN TAX CREDIT 200
HI-115A	HOMEOWNERS INSTRUCTIONS
IO-661	INSTALLATION INSTRUCTIONS
IO-280C	INSTALLATION INSTRUCTIONS
0161F00000P	NAMEPLATE, GOODMAN
RP-420	REPAIR PARTS MANUAL
10195517Q	STANDPIPE BAG ASSY

Cabinet



Cabinet

Ref. Part No:	No:	Description:	Ref. Part No:	No:	Description:
<i>Image 1:</i>					
21	0161F00000P	NAMEPLATE, GOODMAN			
81	20201902	HOSE-DRAIN			
111	20179308	GASKET (QTY 2)			
191	20523902	DOOR-ACCESS (M1)			
191	20523904	DOOR-ACCESS (M2)			
191	20523906	DOOR-ACCESS (M3)			
201	20524002	DOOR-BLOWER (M1)			
201	20524004	DOOR-BLOWER (M2)			
201	20524006	DOOR-BLOWER (M3)			
281	B1392139	VIEW PORT BUSHING-BLOWER DOOR			
291	11104002	VIEW PORT BUSHING-ACCESS DOOR			
311	22320001	GASKET-DECK (M1)			
311	22320002	GASKET-DECK (M2)			
311	22320003	GASKET-DECK (M3)			
331	10736201	COVER-HIGH VOLTAGE BOX			
451	M0501301	GROMMET-PIPE			
491	M0570808	PLUG-BUTTON (QTY 4)			
501	M0570806	PLUG-BUTTON			
511	M0570807	PLUG-BUTTON			
601	A4691701	GROMMET (QTY 2)			
621	M0310345	BUTTON-PLUG (QTY 2)			
741	B1392104	UNIVERSAL BUSHING UB 875 (QTY 2)			

Expanded Model Nomenclature

M1 - GMV950453BXAB
M2 - GMV950704CXAB
M3 - GMV951155DXAB

Blower Assembly

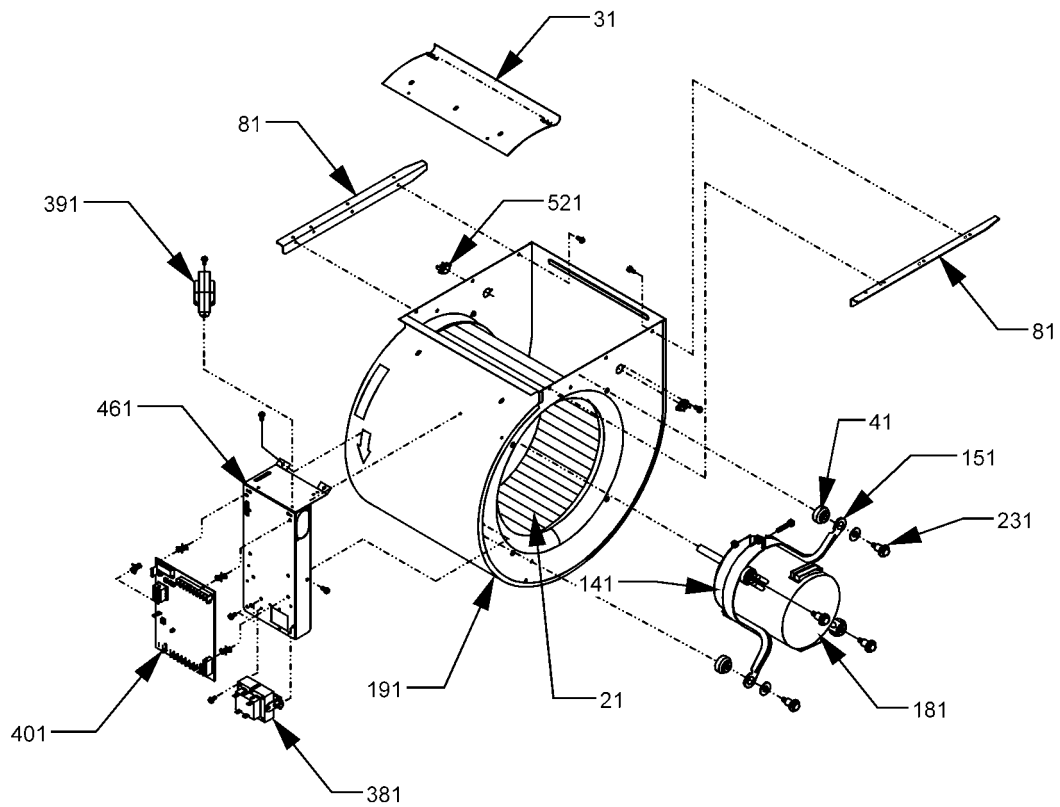
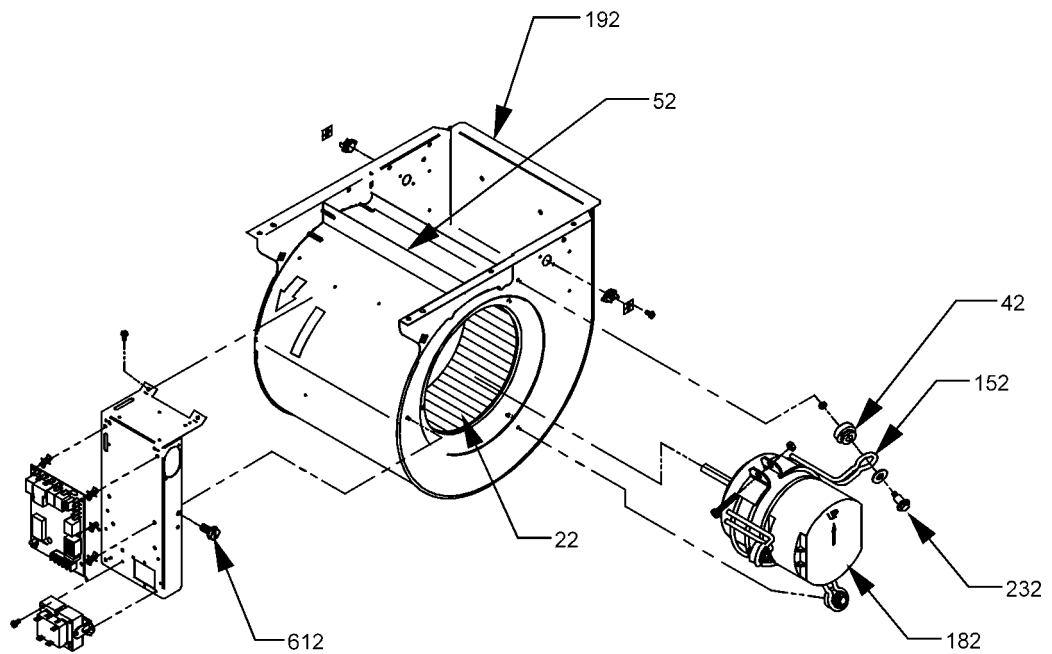


Image 1

Image 2



Blower Assembly

Ref. Part No:	Ref. Part No:	Description:	Description:
---------------	---------------	--------------	--------------

Image 1:

21	D6723311	WHEEL-BLOWER (M3)
31	C6121807	CUT-OFF (M3)
41	A4002701	GROMMET (M3)
81	20175101	RAIL-BLOWER SIDE (M3)
141	10441601	BAND-MTR MOUNT (M3)
151	10441501	ARM-MTR MOUNT (M3)
181	20510318	MOTOR-1 HP PROGRAMMED (M3)
191	0271F00047	BLOWER HOUSING ASSY 11 X 10 (M3)
231	M0221461	SCREW-TC (M3)
381	B1141605	TRANSFORMER 120V TO 24V, 40VA
391	20218901	COIL-INDUCTOR (M2, M3)
401	B1809927S	BOARD, HSI, 2-STAGE MINI
461	0121F00025P	BRACKET-CONTROL
521	10123533	LIMIT-RESET MANUAL 200° (M3)
781	M0227803	SCREW-TC (M3)
NS	11118705	HARNESS-WIRING
NS	20275905	HARNESS-WIRING
NS	20276015	HARNESS-WIRING

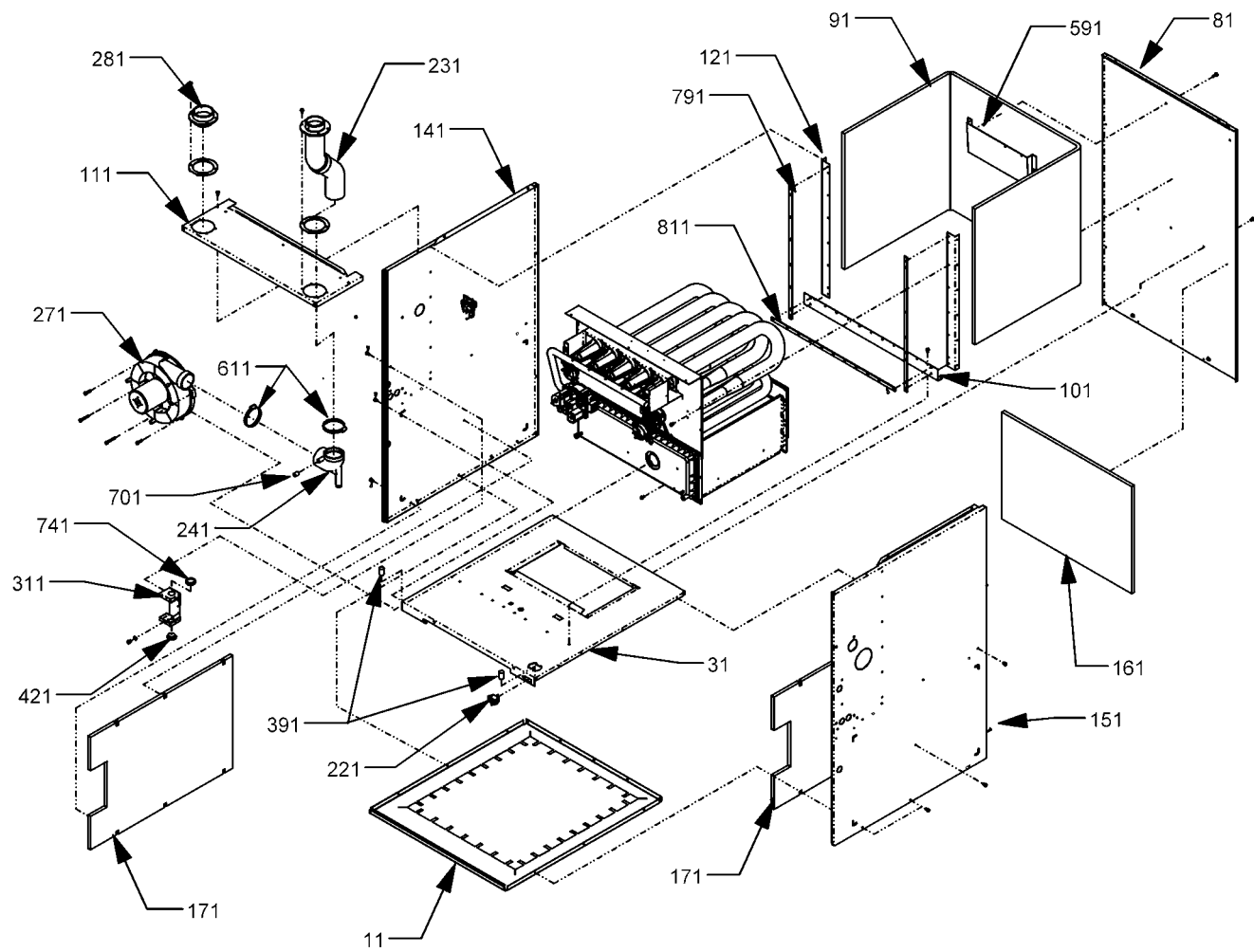
Image 2:

22	D6723310	WHEEL-BLOWER (M1)
22	B1368047	WHEEL-BLOWER 10 X 10 (M2)
42	A4002702	GROMMET (M1, M2)
52	764741F	BLOWER BLOCK-OFF 10 X 10 (M2)
52	764740F	BLOWER BLOCK-OFF 10 X 8 (M1)
152	C9443702	BRACKET-MOTOR MOUNT (M1, M2)
182	20508514	MOTOR-1/2 HP PROGRAMMED (M1)
182	20509425	MOTOR-3/4 HP PROGRAMMED (M2)
192	0271F00004P	BLOWER HOUSING ASSY 10 X 10-2 SPD (M2)
192	0271F00002P	BLOWER HOUSING ASSY 10 X 8 (M1)
232	M0221461	SCREW-TC (M1, M2)
522	10123535	LIMIT-RESET MANUAL 150° (M1)
522	10123537	LIMIT-RESET MANUAL 190° (M2)
562	2509503F	BRACKET-ROLLOUT SWITCH (M1, M2)
612	M0250558	SCREW-TC (M1, M2)
782	M0227803	SCREW-TC (M1, M2)

Expanded Model Nomenclature

M1 - GMV950453BXAB
M2 - GMV950704CXAB
M3 - GMV951155DXAB

Chassis



Chassis

Ref. Part No:	No:	Description:	Ref. Part No:	No:	Description:			
<i>Image 1:</i>			Expanded Model Nomenclature					
11	0121F00050DG	BASEPAN (M1)	<table border="1"> <tr> <td>M1 - GMV950453BXAB</td> </tr> <tr> <td>M2 - GMV950704CXAB</td> </tr> <tr> <td>M3 - GMV951155DXAB</td> </tr> </table>			M1 - GMV950453BXAB	M2 - GMV950704CXAB	M3 - GMV951155DXAB
M1 - GMV950453BXAB								
M2 - GMV950704CXAB								
M3 - GMV951155DXAB								
11	0121F00051DG	BASEPAN (M2)						
11	0121F00052DG	BASEPAN (M3)						
31	0121F00043	DECK-BLOWER 17.5" (M1)						
31	0121F00045	DECK-BLOWER 20" (M2)						
31	0121F00048	DECK-BLOWER 24.5" (M3)						
81	20273208	PANEL-BACK (M1)						
81	20273210	PANEL-BACK (M2)						
81	20273212	PANEL-BACK (M3)						
91	C6415909	INSUL-HEAT EXCHANGER (M3)						
91	C6415910	INSUL-HEAT EXCHANGER (M1)						
91	C6415911	INSUL-HEAT EXCHANGER (M2)						
101	0121F00018P	RAIL-DECK (M1)						
101	0121F00019P	RAIL-DECK (M2)						
101	20191303	RAIL-DECK (M3)						
111	0270F00001PS	TOP COVER ASSY (M2)						
111	0270F00002PS	TOP COVER ASSY (M3)						
111	0270F00100P	TOP COVER ASSY (M1)						
121	20191602	RAIL-SIDE (M1)						
121	20191603	RAIL-SIDE (M2)						
121	20191604	RAIL-SIDE (M3)						
141	0121F00035PDG	PANEL-SIDE LH						
151	0121F00033PDG	PANEL-SIDE RH						
161	20006601	INSULATION (M1)						
161	20006602	INSULATION (M2)						
161	20006603	INSULATION (M3)						
171	20243503	INSULATION-SIDE (QTY 2)						
221	B1370818	SWITCH-INTERLOCK						
231	22309501	PIPE-FLUE UF						
241	20171802	ELBOW						
271	20245903	BLOWER-ID						
281	20049701	COUPLING-FA						
311	10736102	BOX-HIGH VOLTAGE						
391	M0275521	SEALER-PLASTIC						
421	A4554801	BUSHING-SNAP						
591	11165107	SHIELD ID BLOWER						
611	A3326002	CLAMP-HOSE (QTY 2)						
701	M0326804	PLUG-TUBE						
741	B1392104	UNIVERSAL BUSHING UB 875 (QTY 2)						
791	20194608	GASKET (QTY 2)						
811	20194605	GASKET (M1)						
811	20194606	GASKET (M2)						
811	20194607	GASKET (M3)						

Heat Exchanger Assy/Manifold/Gas Valve

Ref. Part No: No:	Description:	Ref. Part No: No:	Description:
-------------------	--------------	-------------------	--------------

Image 1:

11	0164M00002	HOSE-PRESSURE SWITCH
11	0164M00002	HOSE-PRESSURE SWITCH (QTY 2)
11	20165703S	IGNITOR
21	0151F00000P	GAS VALVE
31	B4089343	ORIFICE (QTY 2)
41	20488501	SENSOR-FLAME
51	20317341	HEAT EXCHANGER ASSY 2B (M1)
51	20317343	HEAT EXCHANGER ASSY 3B (M2)
51	20317365	HEAT EXCHANGER ASSY 5B (M3)
71	10735102S	BECKETT BURNER (QTY 2)
91	20190410	BRACKET-BURNER 2B (M1)
91	20190411	BRACKET-BURNER 3B (M2)
91	20190413	BRACKET-BURNER 5B (M3)
151	10123518	LIMIT-RESET MANUAL 170° (M1)
151	10123533	LIMIT-RESET MANUAL 200° (M2, M3)
171	20196401	MANIFOLD (M1)
171	20196402	MANIFOLD (M2)
171	20196404	MANIFOLD (M3)
291	20197308	SWITCH-PRESSURE
301	11177113	SWITCH-PRESSURE (M1, M2)
301	11177114	SWITCH-PRESSURE (M3)
321	11072201	SHIELD-ORIFICE (M1)
321	11072202	SHIELD-ORIFICE (M2)
321	11072204	SHIELD-ORIFICE (M3)
371	20162907	LIMIT 230° (M2)
371	20162905	LIMIT 250° (M1)
371	20162903	LIMIT 350° (M3)
NS	0164M00007	HOSE-PRESSURE SWITCH
NS	0164M00012	HOSE-PRESSURE SWITCH (M1)
NS	0164M00013	HOSE-PRESSURE SWITCH (M2)
NS	0164M00014	HOSE-PRESSURE SWITCH (M3)

Expanded Model Nomenclature

M1 - GMV950453BXAB
M2 - GMV950704CXAB
M3 - GMV951155DXAB

Recupe Coil Assy/Standpipe Bag Assy

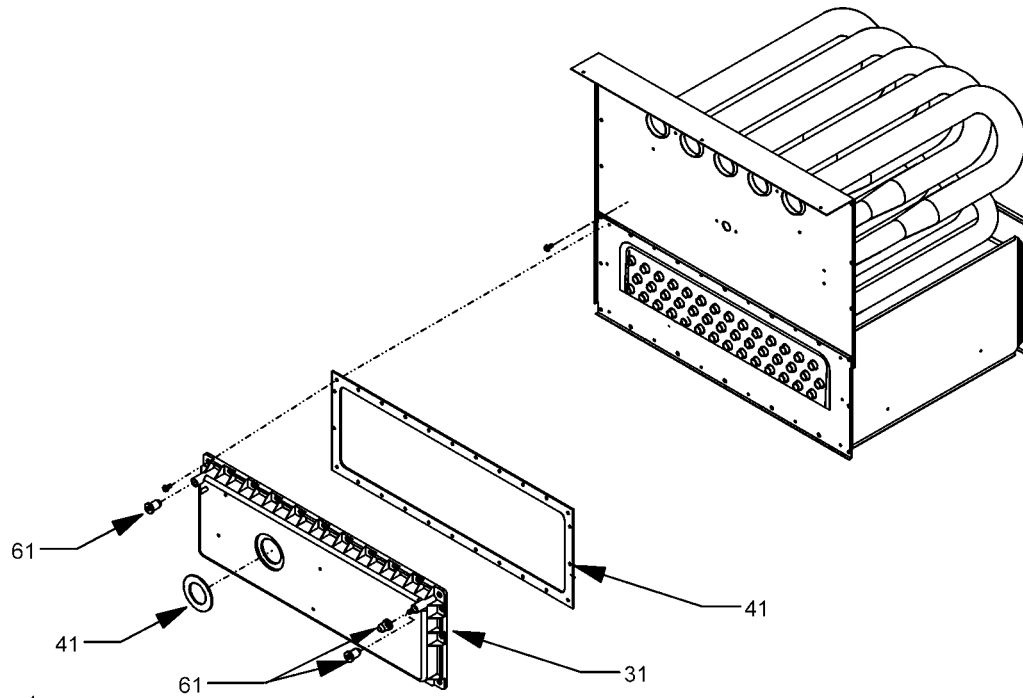
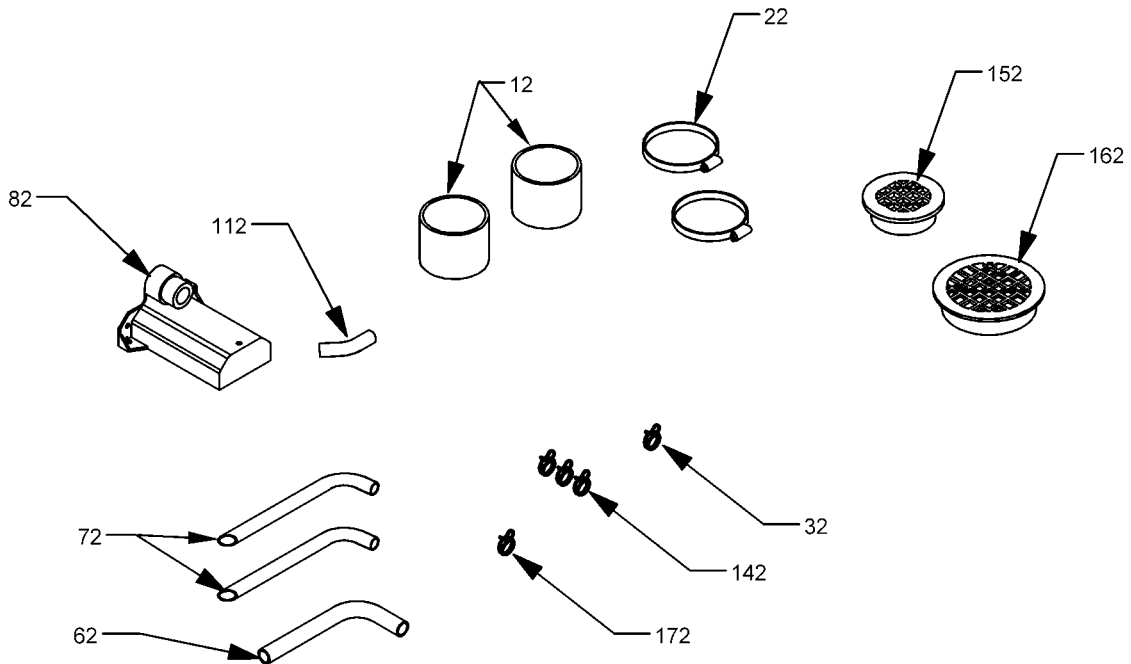


Image 1

Image 2



Recupe Coil Assy/Standpipe Bag Assy

Ref. Part No: No:	Description:	Ref. Part No: No:	Description:
-------------------	--------------	-------------------	--------------

Image 1:

31	20170804A	COVER-FRONT (M1)
31	20170903A	COVER-FRONT (M2)
31	20171004A	COVER-FRONT (M3)
41	0154F00000P	GASKET-COIL (M1)
41	0154F00001P	GASKET-COIL (M2)
41	0154F00002P	GASKET-COIL (M3)
61	M0326804	PLUG-TUBE (QTY 3)

Image 2:

12	10254303	COUPLING-RUBBER
22	A3326002	CLAMP-HOSE (QTY 2)
32	M0119207	CLAMP-HOSE
62	20201901	HOSE-DRAIN
72	20201802	TUBE-DRAIN (QTY 2)
82	20171701	DRAIN TRAP
112	20214203	DRAIN-ANGLE
142	M0119205	CLAMP-HOSE (QTY 3)
152	B2810816	2" MESH INSERT
162	B2810814	3" MESH INSERT
172	M0119206	CLAMP-HOSE

Expanded Model Nomenclature

M1 - GMV950453BXAB
M2 - GMV950704CXAB
M3 - GMV951155DXAB