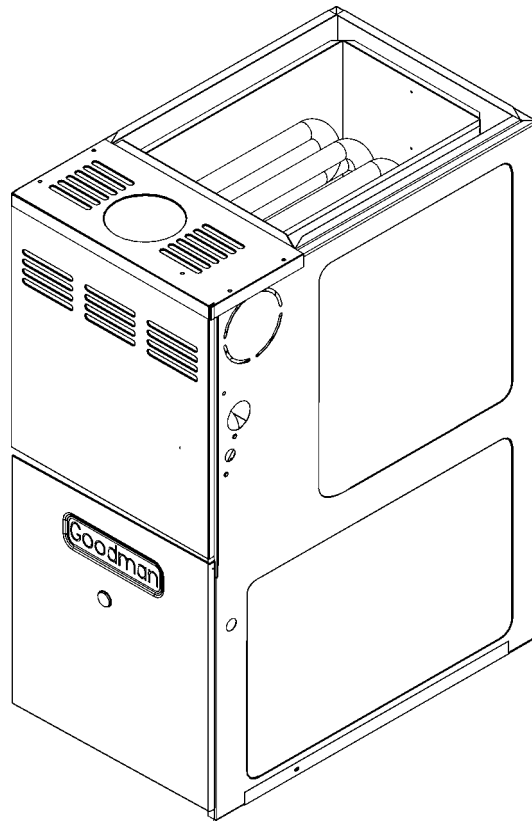




# REPAIR PARTS

## GMV8\*BA Two Stage Variable Speed Furnace

GMV80704BXBA  
GMV80905CXBA  
GMV81155CXBA



Made in the USA by:  
Goodman Manufacturing Company, L.P.  
2550 North Loop West, Suite 400  
Houston Texas 77092

[www.goodmanmfg.com](http://www.goodmanmfg.com)

RP-422  
August 2006

# Important Information

---

## Index

Functional Parts List .....	3
Illustration and Parts .....	4 - 11

*Views shown are for parts illustrations only, not servicing procedures*

### Text Codes:

AR - As Required

NA - Not Available

NS - Not Shown

00000000 - See Note

QTY - Quantity Example (QTY 3) (If Quantity not shown, Quantity = 1)

M - Model Example (M1) (If M Code not shown, then part is used on all Models)

### Expanded Model Nomenclature:

Example

M1 - Model#1

M2 - Model#2

M3 - Model#3

Goodman Manufacturing Company, L.P. is not responsible for personal injury or property damage resulting from improper service. Review all service information before beginning repairs.

Warranty service must be performed by an authorized technician, using authorized factory parts. If service is required after the warranty expires, Goodman Manufacturing Company, L.P. also recommends contacting an authorized technician and using authorized factory parts.

Goodman Manufacturing Company, L.P. reserves the right to discontinue, or change at any time, specifications or designs without notice or without incurring obligations. Goodman® brand products are proudly made in the USA.

For assistance within the U.S.A. contact:  
Consumer Affairs Department  
Goodman Manufacturing Company, L.P.  
7401 Security Way  
Houston, Texas 77040  
877-254-4729-Telephone  
713-863-2382-Facsimile

For assistance outside the U.S.A. contact:  
International Division  
Goodman Manufacturing Company, L.P.  
7401 Security Way  
Houston, Texas 77040  
713-861-2500-Telephone  
713-863-2382-Facsimile

# Functional Parts

**Part**

**No: Description:**

0259F00028	ASSY, INDUCTOR HARNESS
20269903	AUXILIARY LIMIT (QTY 2)
B1809927S	BOARD, HSI, 2-STAGE MINI
B1172606	FLAME SENSOR
B4026006	GAS MANIFOLD, 3 CELL (M1)
B4026007	GAS MANIFOLD, 4 CELL (M2)
B4026008	GAS MANIFOLD, 5 CELL (M3)
0151F00000P	GAS VALVE
0130F00008	IGNITOR-SINI 17 SEC
B1141666	INDUCTOR, 5.9 AMPS
B4022700	INSHOT BURNER ASSY 3" (QTY AR)
B13400913GBS	MOTOR-3/4 HP (M2)
B13400912GBS	MOTOR-3/4 HP (M1)
B13400914GBS	MOTOR-3/4 HP (M3)
0131M00003S	MOTOR-VENT 2-STAGE
B4089343	ORIFICE (QTY AR)
B1370210	PRESSURE SWITCH 2-STG (M3)
B1370208	PRESSURE SWITCH 2-STG (M1)
B1370209	PRESSURE SWITCH 2-STG (M2)
B1370207	PRIMARY LIMIT 130°F (M3)
B1370198	PRIMARY LIMIT 150°F (M1, M2)
B1370145	ROLLOUT SWITCH, 300 W/O BRACKET (QTY 2)
4021308S	SUB ASSY-HEAT EXCHANGER 3 CELL, 17.5" (M1)
4021310S	SUB ASSY-HEAT EXCHANGER 4 CELL, 21" (M2)
4021311S	SUB ASSY-HEAT EXCHANGER 5 CELL, 21" (M3)
B1141605	TRANSFORMER, 120V TO 24V, 40VA
B4068409	WIRING HARNESS
11118705	WIRING HARNESS
B1378702	WIRING HARNESS-HIGH VOLTAGE

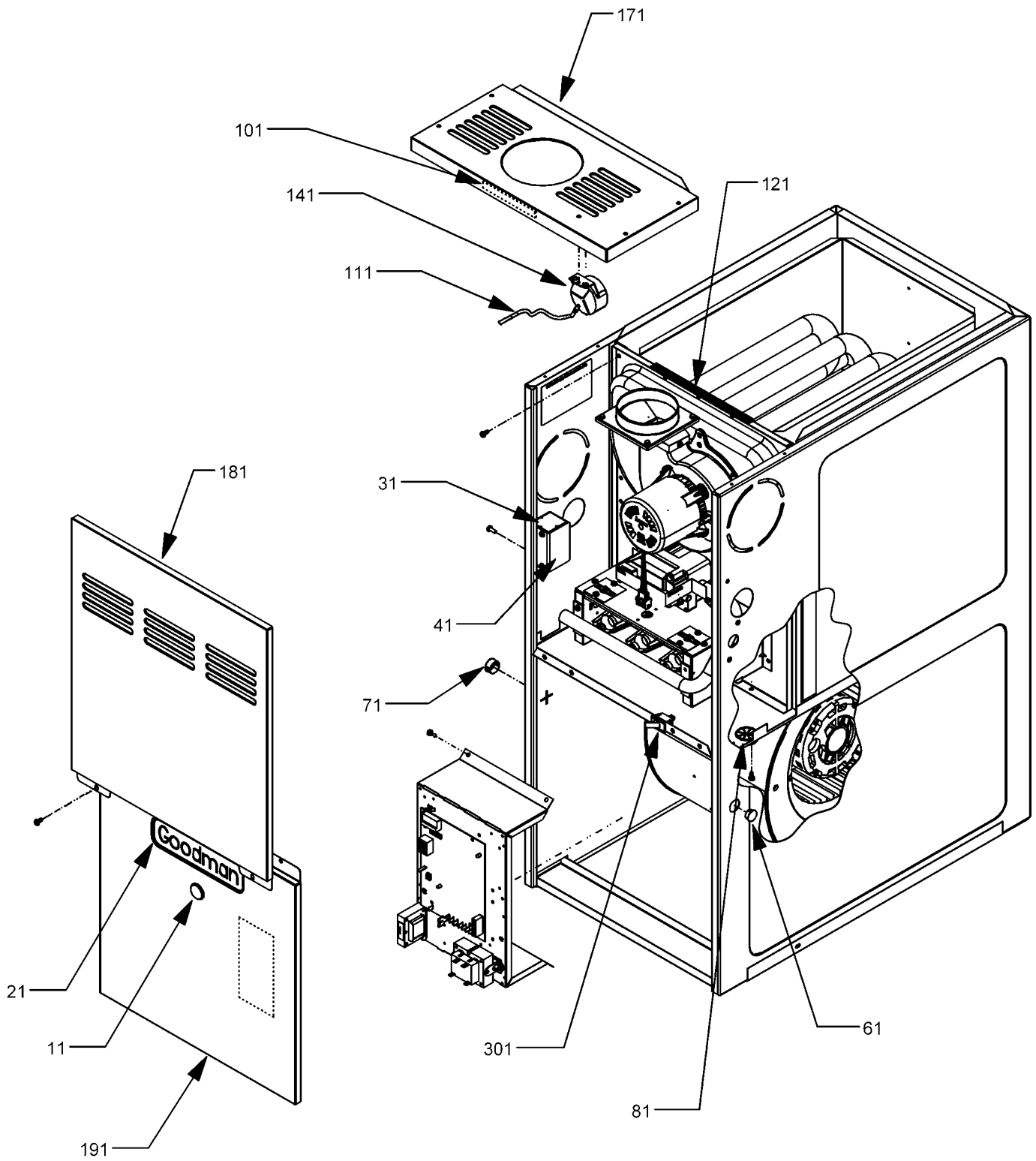
**SPECIAL PARTS**

PM-GTAXCRDT50	GOODMAN TAX CREDIT 50
HI-115A	HOMEOWNERS INSTRUCTIONS
IO-315	INSTALLATION INSTRUCTIONS
0161F00000P	NAMEPLATE-GOODMAN
RP-422	REPAIR PARTS MANUAL

Expanded Model Nomenclature

M1 - GMV80704BXBA
M2 - GMV80905CXBA
M3 - GMV81155CXBA

# Cabinet



# Cabinet

Ref. Part No: No:	Description:	Ref. Part No: No:	Description:
-------------------	--------------	-------------------	--------------

Image 1:

11	B1392139	VIEW PORT BUSHING-BLOWER DOOR
21	0161F00000P	NAMEPLATE-GOODMAN
31	4014502	J-BOX
41	4015502	J-BOX COVER
61	B1392019	PLASTIC PLUG .875"
71	B1392104	UNIVERSAL BUSHING UB 875
81	B1392147	UNIVERSAL BUSHING WITH SLICE
101	B13926111	SEAL STRIP 1/8 X 1/2 X 14"
111	A3468601	PRESSURE SWITCH HOSE
121	B13926112	SEAL STRIP 1/8 X 1/2 X 17.5 (M1)
121	B13926113	SEAL STRIP 1/8 X 1/2 X 21" (M2, M3)
141	B1370208	PRESSURE SWITCH 2-STG (M1)
141	B1370209	PRESSURE SWITCH 2-STG (M2)
141	B1370210	PRESSURE SWITCH 2-STG (M3)
171	0221F00001PDG	TOP-FURNACE 80% 17.5" (M1)
171	0221F00002PDG	TOP-FURNACE 80% 21" (M2, M3)
181	0221F00005PDG	ACCESS DOOR 17.5" (M1)
181	0221F00006PDG	ACCESS DOOR 21" (M2, M3)
191	0221F00012PDG	BLOWER DOOR 17.5" (M1)
191	0221F00013PDG	BLOWER DOOR 21" 80% (M2, M3)
301	B1370818	INTERLOCK SWITCH

Expanded Model Nomenclature

- M1 - GMV80704BXBA
- M2 - GMV80905CXBA
- M3 - GMV81155CXBA

# Blower Assy/Control Panel

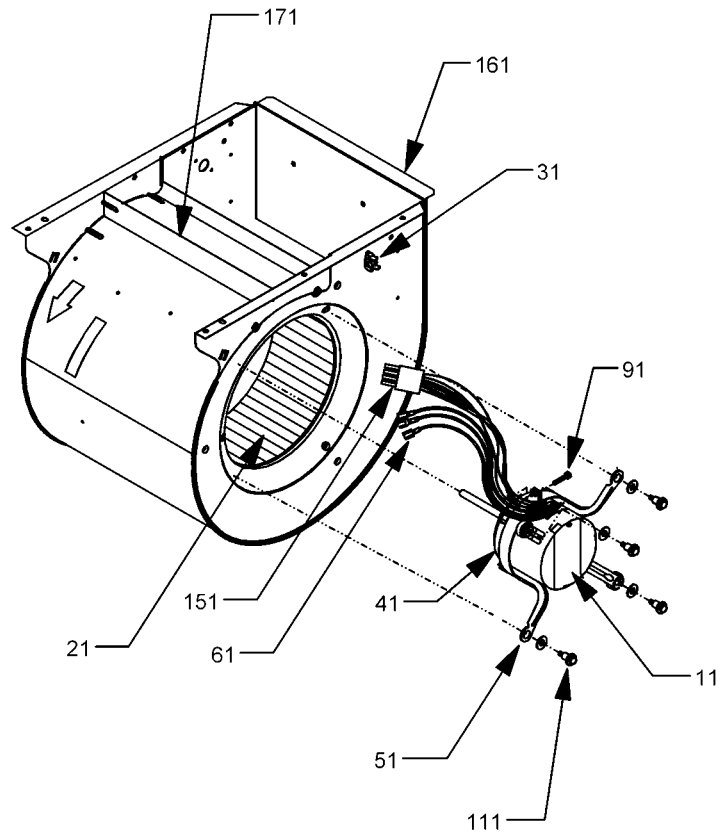
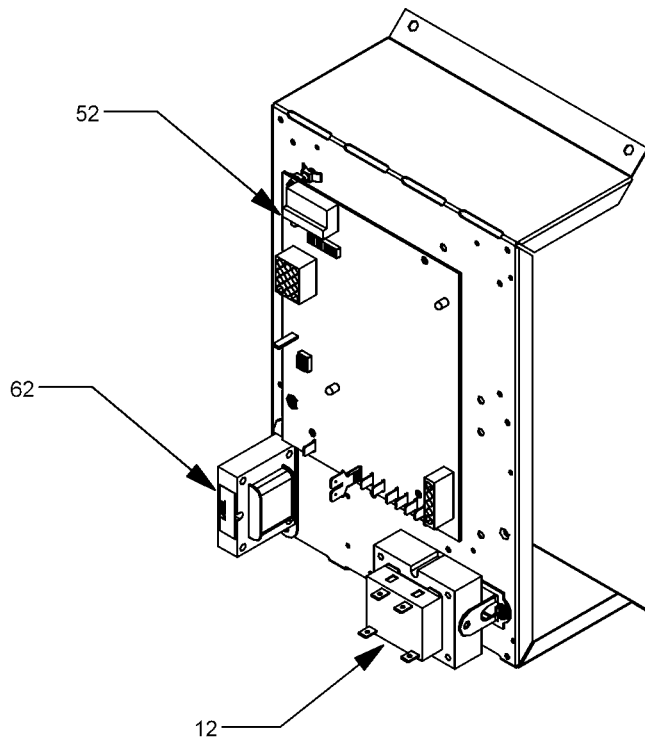


Image 1

Image 2



# Blower Assy/Control Panel

Ref. Part No: No:	Description:	Ref. Part No: No:	Description:
-------------------	--------------	-------------------	--------------

*Image 1:*

11	B13400912GBS	MOTOR-3/4 HP (M1)
11	B13400913GBS	MOTOR-3/4 HP (M2)
11	B13400914GBS	MOTOR-3/4 HP (M3)
21	B1368047	BLOWER WHEEL 10 X 10 (M2, M3)
21	B1368016S	BLOWER WHEEL 10 X 8 (M1)
31	20269903	AUXILIARY LIMIT (QTY 2)
41	B1376851	MOTOR MOUNT BAND
51	B1376853	MOTOR MOUNT ARM (QTY 3)
61	B1378702	WIRING HARNESS-HIGH VOLTAGE
91	B1393323	SCREW, MACHINE HWH 20X1 1/2
111	B1393527	SCREW, HWH 14X1-1/2 (QTY 3)
151	11118705	WIRING HARNESS
161	2539311	BLOWER HOUSING ASSY 10 X 10 (M2, M3)
161	2539310S	BLOWER HOUSING ASSY 10 X 8 (M1)
171	764741	BLOWER BLOCK-OFF 10 X 10 (M2, M3)
171	764740	BLOWER BLOCK-OFF 10 X 8 (M1)
NS	2509503	BRACKET-ROLLOUT SWITCH (QTY 2)

*Image 2:*

12	B1141605	TRANSFORMER, 120V TO 24V, 40VA
52	B1809927S	BOARD, HSI, 2-STAGE MINI
62	B1141666	INDUCTOR, 5.9 AMPS

Expanded Model Nomenclature

- M1 - GMV80704BXBA
- M2 - GMV80905CXBA
- M3 - GMV81155CXBA

# Heat Exchanger Assy/Flue Collector Box

Image 1

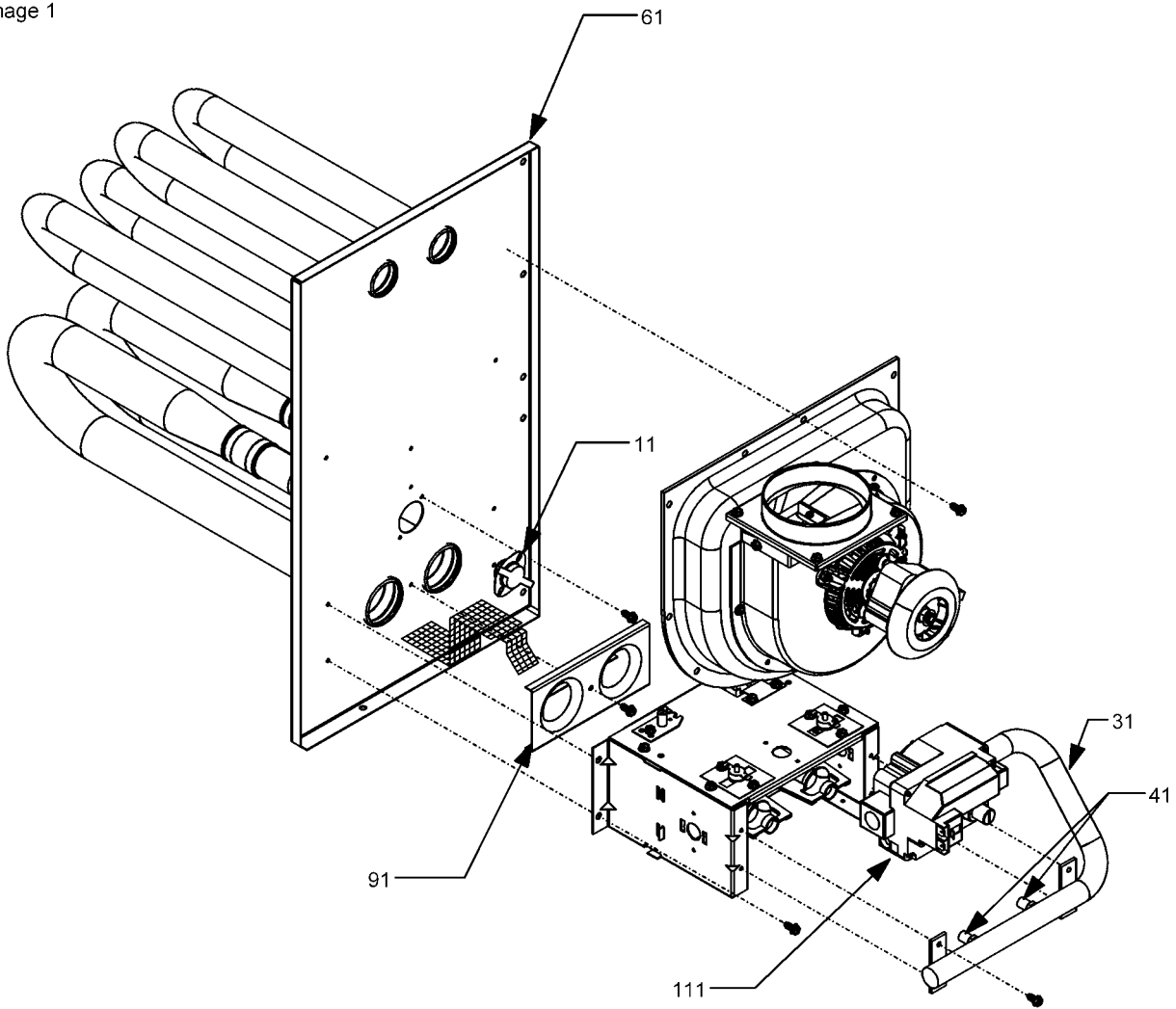
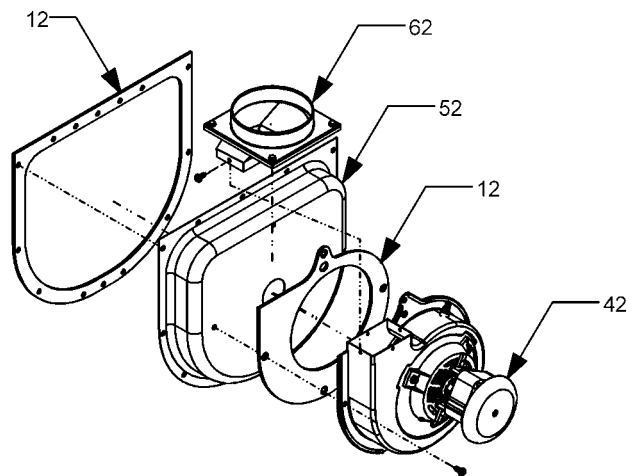


Image 2



# Heat Exchanger Assy/Flue Collector Box

Ref. Part No: No:	Description:	Ref. Part No: No:	Description:
-------------------	--------------	-------------------	--------------

*Image 1:*

11	B1370207	PRIMARY LIMIT 130°F (M3)
11	B1370198	PRIMARY LIMIT 150°F (M1, M2)
31	B4026006	GAS MANIFOLD, 3 CELL (M1)
31	B4026007	GAS MANIFOLD, 4 CELL (M2)
31	B4026008	GAS MANIFOLD, 5 CELL (M3)
41	B4089343	ORIFICE (QTY AR)
61	4021308S	SUB ASSY-HEAT EXCHANGER 3 CELL, 17.5" (M1)
61	4021310S	SUB ASSY-HEAT EXCHANGER 4 CELL, 21" (M2)
61	4021311S	SUB ASSY-HEAT EXCHANGER 5 CELL, 21" (M3)
91	4028001	ORIFICE PLATE, 3 CELL (M1)
91	4028002	ORIFICE PLATE, 4 CELL (M2)
91	4028003	ORIFICE PLATE, 5 CELL (M3)
111	0151F00000P	GAS VALVE

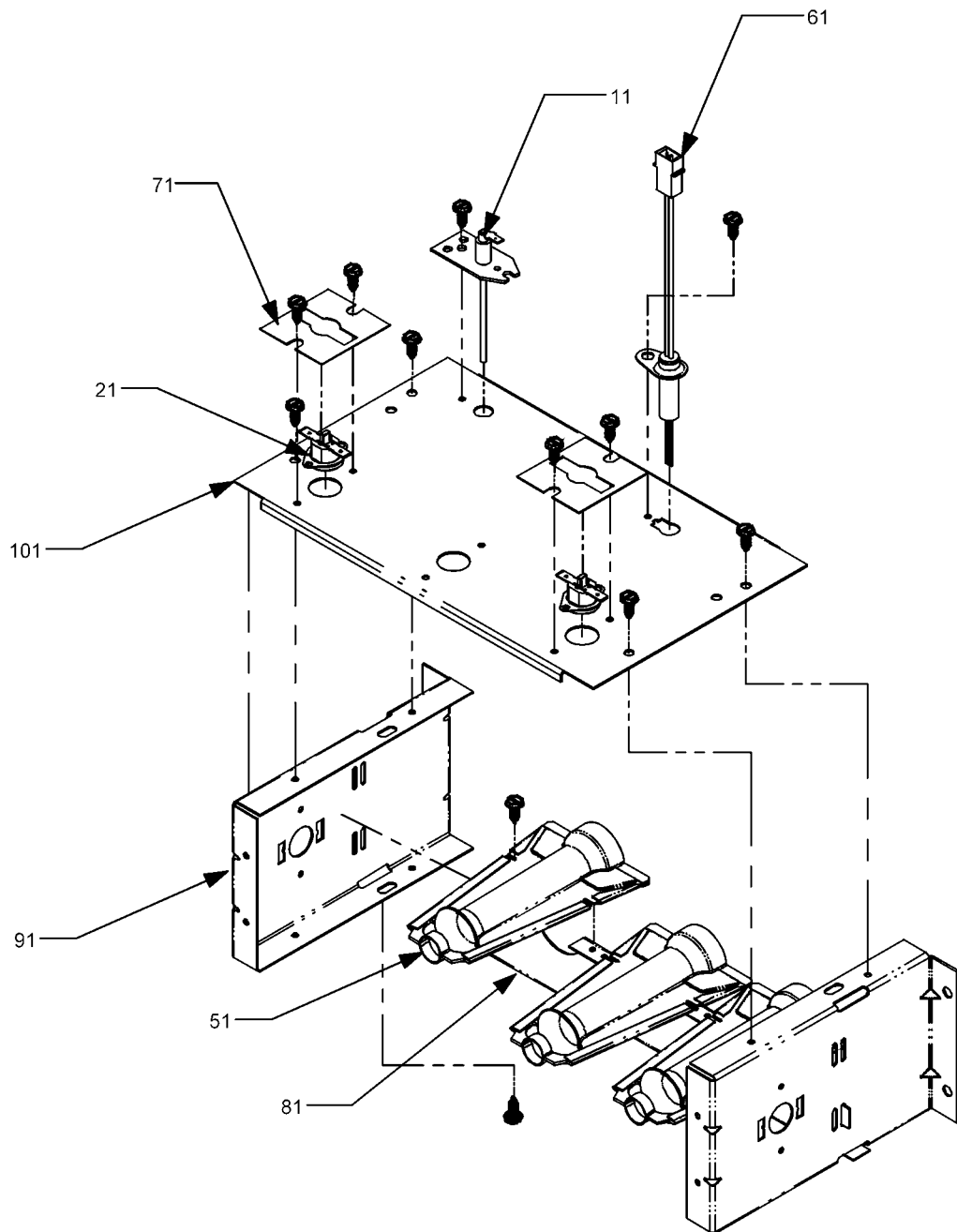
*Image 2:*

12	B1392634	GASKET 17.5" (M1)
12	B1392635	GASKET 21" (M2, M3)
42	0131M00003S	MOTOR-VENT 2-STAGE
52	4010019	FLUE COLLECTOR BOX 17.5", 1.75 DIA (M1)
52	4010017S	FLUE COLLECTOR BOX 21", 2.25 DIA (M3)
52	4010016S	FLUE COLLECTOR BOX 21", 2.00" DIA (M2)
62	4053501S	CHIMNEY ASSEMBLY

Expanded Model Nomenclature

- M1 - GMV80704BXBA
- M2 - GMV80905CXBA
- M3 - GMV81155CXBA

# Burner Box



# Burner Box

Ref. Part No: No:	Description:	Ref. Part No: No:	Description:
-------------------	--------------	-------------------	--------------

---

Image 1:

11	B1172606	FLAME SENSOR
21	B1370145	ROLLOUT SWITCH, 300 W/O BRACKET (QTY 2)
51	B4022700	INSHOT BURNER ASSY 3" (QTY AR)
61	0130F00008	IGNITOR-SINI 17 SEC
71	2509503	BRACKET-ROLLOUT SWITCH (QTY 2)
81	2513501	BURNER RACK, 3 CELL (M1)
81	2513502	BURNER RACK, 4 CELL (M2)
81	2513503	BURNER RACK, 5 CELL (M3)
91	2514000	SIDE PLATE-BURNER BOX (QTY 2)
101	4013011	TOP-BURNER BOX, 3 CELL (M1)
101	4013012	TOP-BURNER BOX, 4 CELL (M2)
101	4013013	TOP-BURNER BOX, 5 CELL (M3)

Expanded Model Nomenclature

M1 - GMV80704BXBA

M2 - GMV80905CXBA

M3 - GMV81155CXBA