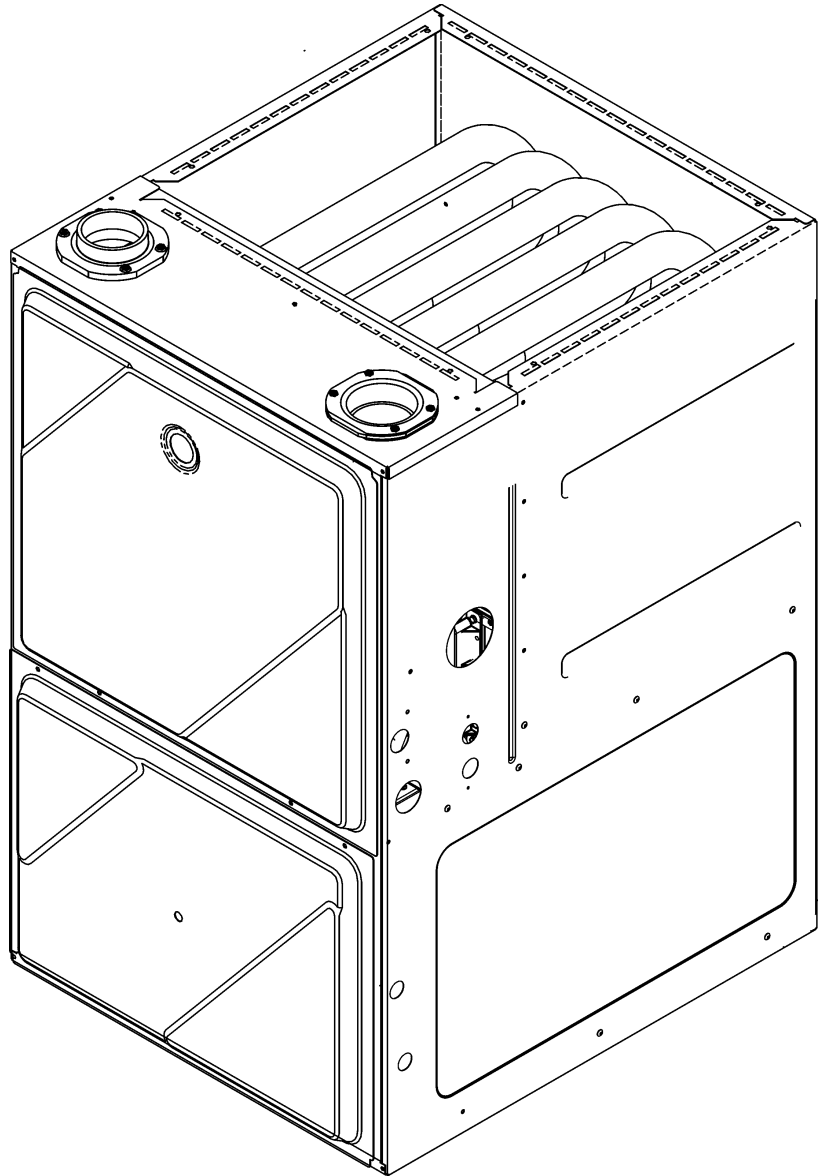


GMSS 96% Single Stage PSC Up Flow Furnace

GMSS960403ANAA



This manual is to be used by qualified technicians only.

This manual replaces RP-G2309.

© 2017 Goodman Manufacturing Company, L.P. ♦ 5151 San Felipe St., Suite 500 ♦ Houston, TX 77056

Important Information

Index

Functional Parts List	3
Illustration and Parts	4 - 11

Views shown are for parts illustrations only, not servicing procedures

Text Codes:

AR - As Required

NA - Not Available

NS - Not Shown

00000000 - See Note

QTY - Quantity Example (QTY 3) (If Quantity not shown, Quantity = 1)

M - Model Example (M1) (If M Code not shown, then part is used on all Models)

Expanded Model Nomenclature:

Example M1 - Model#1 M2 - Model#2 M3 - Model#3

Goodman Manufacturing Company, L.P. is not responsible for personal injury or property damage resulting from improper service. Review all service information before beginning repairs.

Warranty service must be performed by an authorized technician, using authorized factory parts. If service is required after the warranty expires, Goodman Manufacturing Company, L.P. also recommends contacting an authorized technician and using authorized factory parts.

Goodman Manufacturing Company, L.P. reserves the right to discontinue, or change at any time, specifications or designs without notice or without incurring obligations.

For assistance within the U.S.A. contact:
Homeowner Support
Goodman Manufacturing Company, L.P.
19001 Kermier Road
Waller, Texas 77484
877-254-4729-Telephone
713-863-2382-Facsimile

For assistance outside the U.S.A. contact:
International Division
Goodman Manufacturing Company, L.P.
19001 Kermier Road
Waller, Texas 77484
713-861-2500-Telephone
713-863-2382-Facsimile

Functional Parts

Part

No: Description:

0257F00446	ASSY, HEAT EXCHANGER
0163F00017	BECKETT BURNER (QTY 2)
0271F00330	BLOWER HSG ASSY.
B1368053	BLOWER WHEEL 11 X 6 CW
CAP125000370LA	CAPACITOR 12.5/370V
0130F00010	FLAME SENSOR
0151M00037	GAS VALVE
0130F00008	IGNITOR-SINI 17 SEC
0130M00243	INTERLOCK SWITCH
10123533	MANUAL RESET LIMIT-YELLOW
0131F00027	MOTOR, 1/3HP, 4SP, 6PL
PCBBF140	PCB, IGNITION CONTROL
0130F00642	PRESSURE SWITCH
20162903	PRIMARY LIMIT - BLUE
0130F00038	PRIMARY LIMIT - LT BLUE 120° (AUX) (QTY 2)

SPECIAL PARTS

0161F00000P GOODMAN NAMEPLATE

Expanded Model Nomenclature

M1 - GMSS960403ANAA

CABINET ASSEMBLY

IMAGE 1

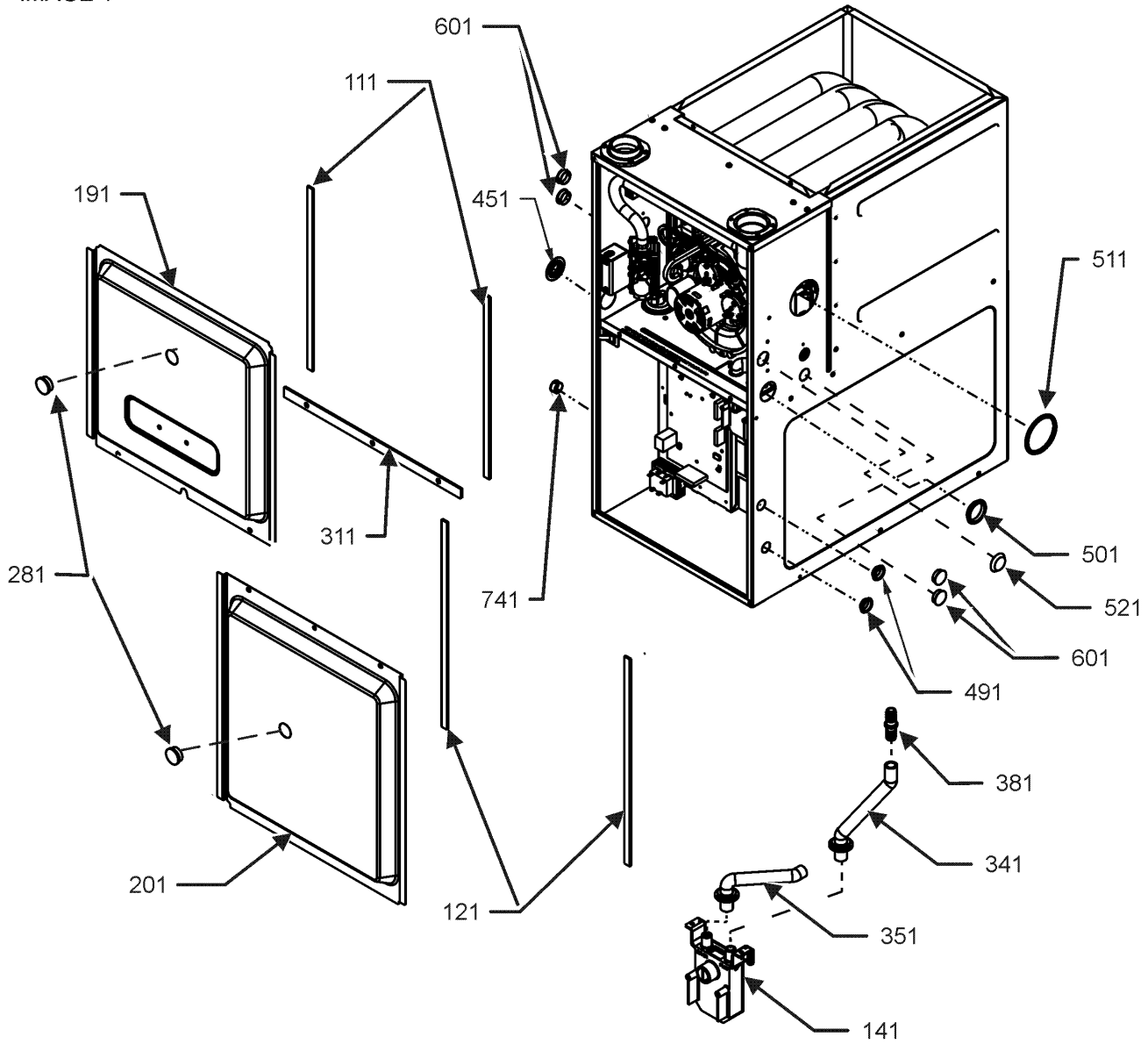
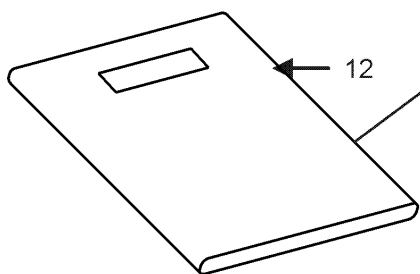
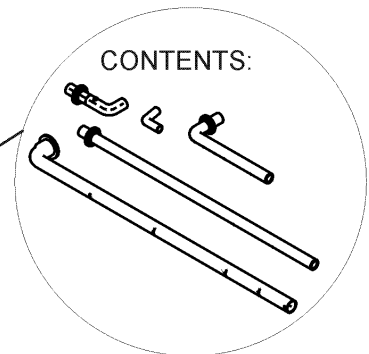
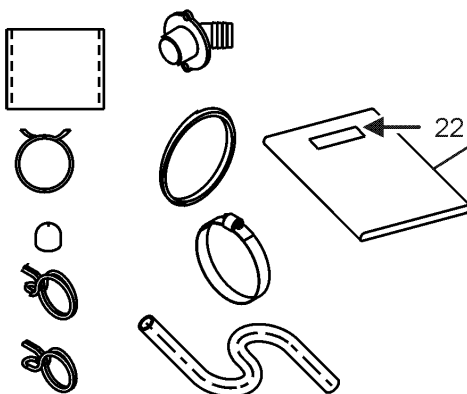


IMAGE 2



CONTENTS:



CABINET ASSEMBLY

Ref. Part No: No:	Description:	Ref. Part No: No:	Description:
------------------------------	---------------------	------------------------------	---------------------

Image 1:

111	0154F00024	GASKET (QTY 2)
121	0154F00025	GASKET (QTY 2)
141	0161F00046	DRAIN TRAP
191	0121F00674DG	PNT, DOOR, ACCESS 14"
201	0121F00672DG	PNT, DOOR, BLOWER 14"
281	B1392139	VIEW PORT BUSHING-BLOWER DOOR (QTY 2)
311	0154F00063	GASKET, DECK
341	0164F00017	HOSE-ELBOW/TRAP
351	0164F00020	DRAIN HOSE
381	0161F00047	COUPLING, HOSE BARBED
451	M0501301	PIPE GROMMET
491	M0570808	BUTTON PLUG (QTY 3)
501	M0570806	BUTTON PLUG
511	M0570807	BUTTON PLUG
521	0161M00027	PLUG, HOLE
601	B1392021	PLASTIC PLUG, 1" (2713-BLK) (QTY 4)
741	B1392104	UNIVERSAL BUSHING UB 875
NS	M0310345	BUTTON PLUG (QTY 2)
NS	0161F00000P	GOODMAN NAMEPLATE
NS	0163M00049	HOSE CLAMP (QTY 3)
NS	M0273904	RETAINER-SCREW (QTY 3)
NS	M0209730	SCREW-DECORATIVE (QTY 3)

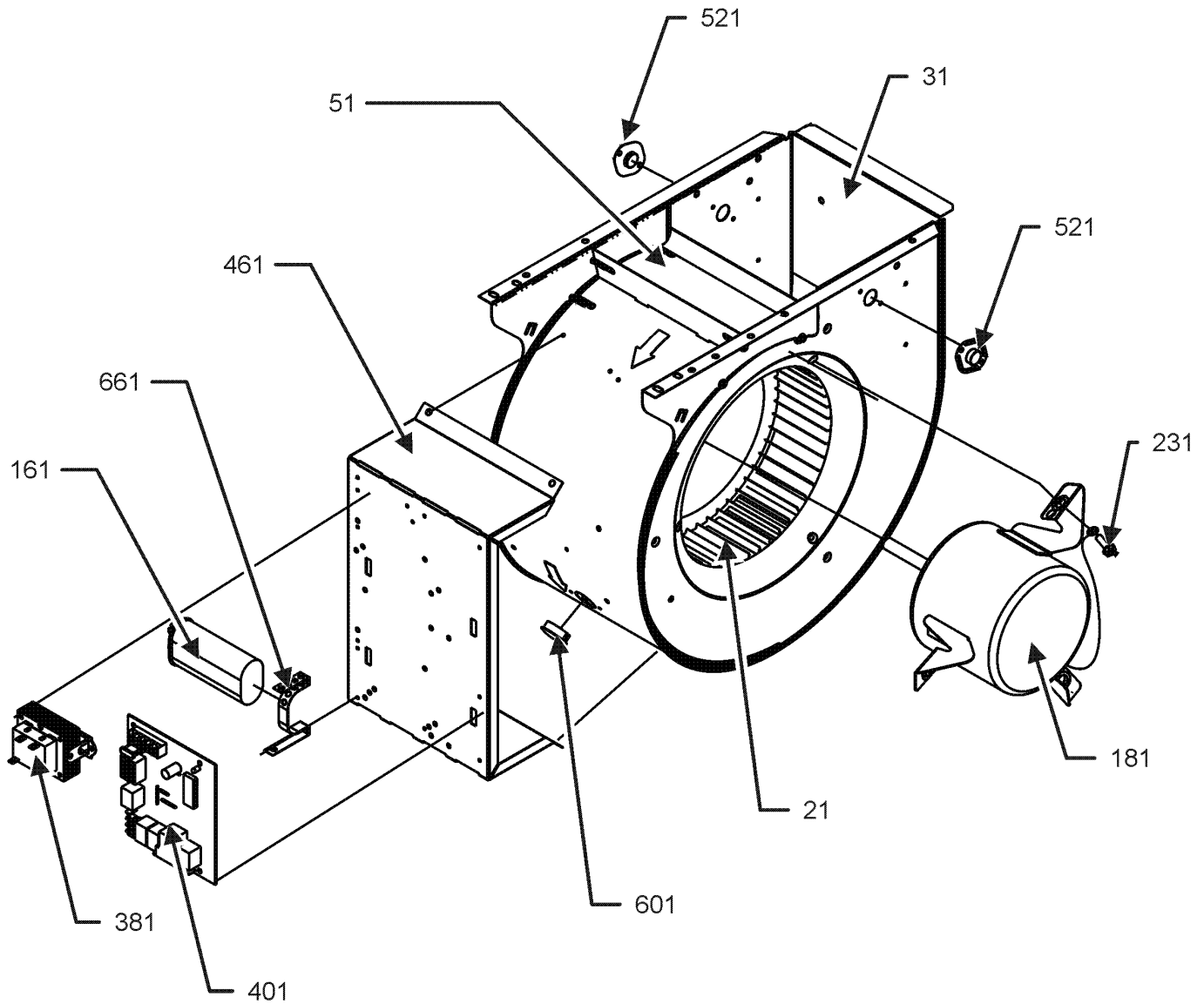
Image 2:

12	0270F03140	DRAIN PART BAG ASSY UF
22	0270F03667	BAG ASSY UF

Expanded Model Nomenclature

M1 - GMSS960403ANAA

BLOWER ASSEMBLY



BLOWER ASSEMBLY MAY DIFFER FROM WHAT IS SHOWN

BLOWER ASSEMBLY

Ref. Part No: No:	Description:	Ref. Part No: No:	Description:
-------------------	--------------	-------------------	--------------

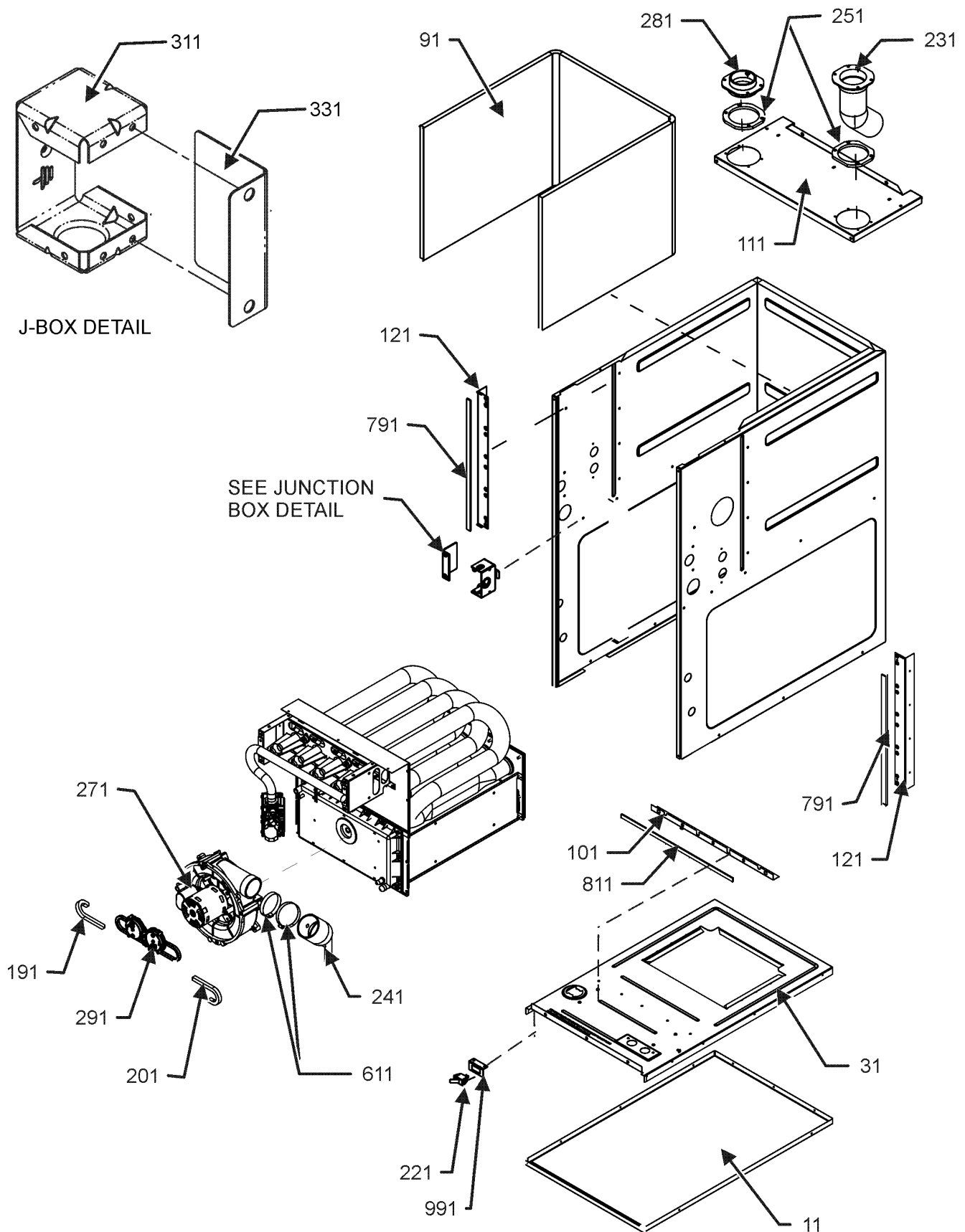
Image 1:

21	B1368053	BLOWER WHEEL 11 X 6 CW
31	0271F00330	BLOWER HSG ASSY.
51	764739	BLOWER CUT-OFF 10 X 6
161	CAP125000370LA	CAPACITOR 12.5/370V
181	0131F00027	MOTOR, 1/3HP, 4SP, 6PL
231	M0250558	TC SCREW (QTY 3)
381	0130M00140	TRANSFORMER 120V TO 24V, 40VA
401	PCBBF140	PCB, IGNITION CONTROL
461	0121F00464	MOUNTING PLATE-CONTROLS
521	0130F00038	PRIMARY LIMIT - LT BLUE 120° (AUX) (QTY 2)
601	B1392021	PLASTIC PLUG, 1" (2713-BLK) (QTY 4)
661	20520901	CAPACITOR STRAP
NS	0259F00024	WIRE HARNESS-BLOWER

Expanded Model Nomenclature

M1 - GMSS960403ANAA

CHASSIS ASSEMBLY



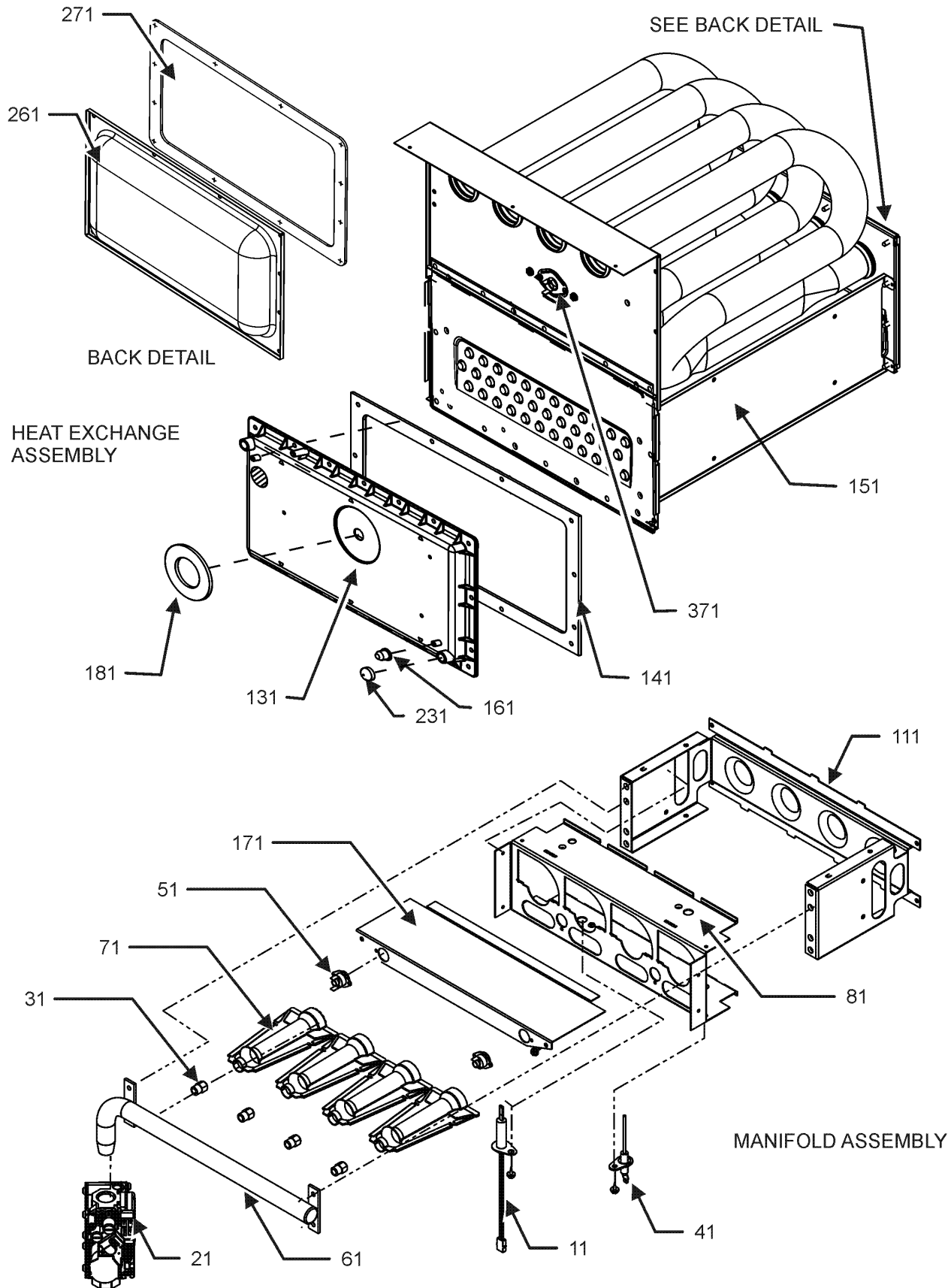
CHASSIS ASSEMBLY

Ref. Part No: No:	Description:	Ref. Part No: No:	Description:
<i>Image 1:</i>			
11	0121F00664DG		BASEPAN,14 PNT
31	0121F00663		DECK, BLOWER 14"
91	0160F00025		INSULATION, HT EXCHANGER
101	0121F00661		ANGLE, DECK
111	0121F00662DG		PNT, FURNACE TOP 14"
121	0121F00313		ANGLE, SIDE (QTY 2)
191	0164M00008		PRESSURE SWITCH HOSE
201	0164M00015		PRESSURE SWITCH HOSE
221	0130M00243		INTERLOCK SWITCH
231	0164F00002		FLUE PIPE W/BEND
241	0164F00001		ELBOW-FLUE, UPFLOW
251	0154F00041		FRESH AIR GASKET
271	0171M00008		MOTOR-ID, BLOWER
281	0161F00037		COUPLING
291	0130F00642		PRESSURE SWITCH
311	0161F00042		JUNCTION BOX PLA
331	0161F00043		JUNCTION BOX LID
611	0163M00049		HOSE CLAMP (QTY 3)
791	0154F00015		GASKET (QTY 2)
811	0154F00064		GASKET
991	0121F00389		BRACKET, DOOR SWITCH
NS	0159F00070		HARNESS, WIRING
NS	M0326804		TUBE PLUG

Expanded Model Nomenclature

M1 - GMSS960403ANAA

HEAT EXCHANGE ASSEMBLY



HEAT EXCHANGE ASSEMBLY

Ref. Part No: No:	Description:	Ref. Part No: No:	Description:
<i>Image 1:</i>			
11	0130F00008		IGNITOR-SINI 17 SEC
21	0151M00037		GAS VALVE
31	10716005		ORIFICE (QTY 2)
41	0130F00010		FLAME SENSOR
51	10123533		MANUAL RESET LIMIT-YELLOW
61	0163F00007		MANIFOLD
71	0163F00017		BECKETT BURNER (QTY 2)
81	0121F00456		BRACKET-BURNER 2
111	0121F00469		ORIFICE BRACKET-BURNER 2
131	0161F00080		COVER, FRONT
141	0154F00062		GASKET FRONT COVER
151	0257F00446		ASSY, HEAT EXCHANGER
161	M0326804		TUBE PLUG
171	0121F00539		SHEILD, BURNER
181	0154F00043		GASKET ID BLOWER
231	A1781105		CAP-VINYL .500
261	0121F00670		COVER, REAR
271	0154F00058		GASKET REAR CVR
371	20162903		PRIMARY LIMIT - BLUE
NS	0121F00582		INSULATION, RETAINER
NS	0121F00439		PRIMARY LIMIT-HEAT SHIELD
NS	0121F00355		SHIELD, COIL (QTY 2)

Expanded Model Nomenclature

M1 - GMSS960403ANAA