

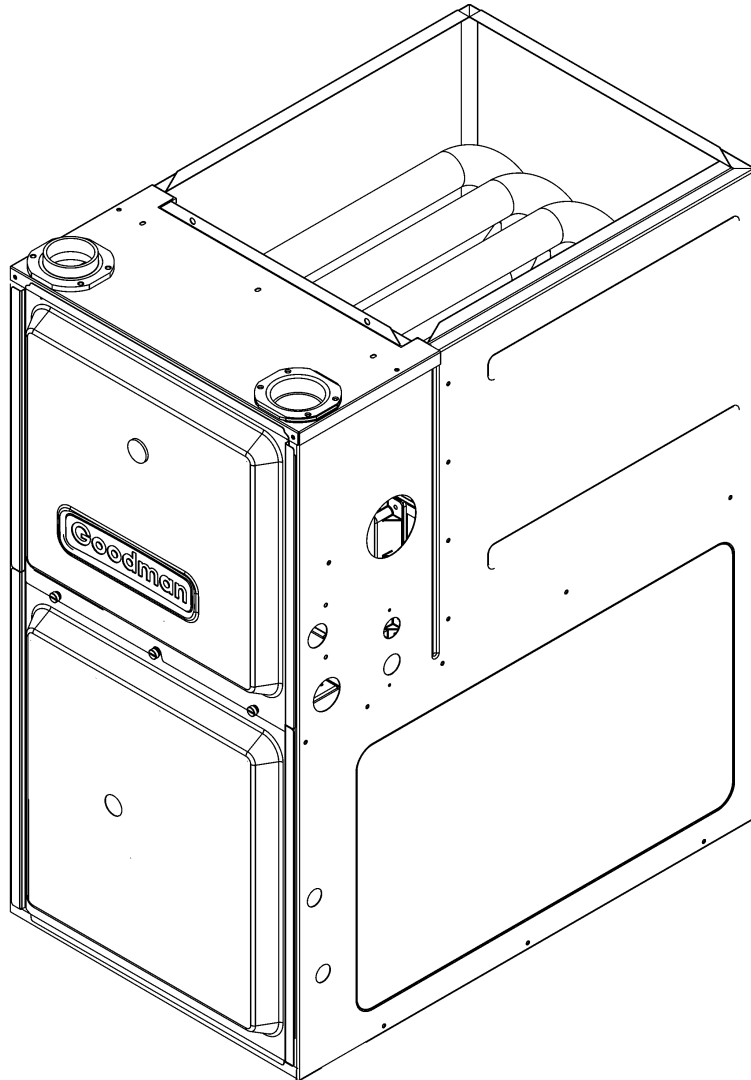


REPAIR PARTS

GMSS 92% Single Stage Up Flow Furnace

GMSS920403ANAA

GMSS921005CNAB



This manual is to be used by qualified technicians only.

This manual replaces RP-G2308.

© 2016 - 2017 Goodman Manufacturing Company, L.P. ♦ 5151 San Felipe St., Suite 500 ♦ Houston, TX 77056

Important Information

Index

Functional Parts List	3
Illustration and Parts	4 - 11

Views shown are for parts illustrations only, not servicing procedures

Text Codes:

AR - As Required

NA - Not Available

NS - Not Shown

00000000 - See Note

QTY - Quantity Example (QTY 3) (If Quantity not shown, Quantity = 1)

M - Model Example (M1) (If M Code not shown, then part is used on all Models)

Expanded Model Nomenclature:

Example M1 - Model#1 M2 - Model#2 M3 - Model#3

Goodman Manufacturing Company, L.P. is not responsible for personal injury or property damage resulting from improper service. Review all service information before beginning repairs.

Warranty service must be performed by an authorized technician, using authorized factory parts. If service is required after the warranty expires, Goodman Manufacturing Company, L.P. also recommends contacting an authorized technician and using authorized factory parts.

Goodman Manufacturing Company, L.P. reserves the right to discontinue, or change at any time, specifications or designs without notice or without incurring obligations.

For assistance within the U.S.A. contact:
Homeowner Support
Goodman Manufacturing Company, L.P.
19001 Kermier Road
Waller, Texas 77484
877-254-4729-Telephone
713-863-2382-Facsimile

For assistance outside the U.S.A. contact:
International Division
Goodman Manufacturing Company, L.P.
19001 Kermier Road
Waller, Texas 77484
713-861-2500-Telephone
713-863-2382-Facsimile

Functional Parts

Part

No: **Description:**

0163F00017	BECKETT BURNER (QTY 2)
0271F00323	BLOWER HSG ASSY (M1)
0271F00161	BLOWER SHELL & WHEEL ASSY (M2)
B1368034	BLOWER WHEEL 10 X 6 (M1)
CAP125000370LA	CAPACITOR 12.5/370V (M1)
CAP150000370LA	CAPACITOR 15/370V (M2)
0130F00010	FLAME SENSOR
0151M00037	GAS VALVE
0257F00449	HEAT EXCHANGER ASSY (M1)
0257F00281	HEAT EXCHANGER ASSY (M2)
0130F00008	IGNITOR-SINI 17 SEC
0130M00243	INTERLOCK SWITCH
10123539	MANUAL RESET LIMIT-ORANGE (M2)
10123538	MANUAL RESET LIMIT-TAN (M1)
0131F00027	MOTOR, 1/3HP, 4SP, 6PL (M1)
0131F00044	MOTOR, 3/4 HP (M2)
0171M00008	MOTOR, ID BLOWER (M1)
0171M00001	MOTOR-ID, BLOWER (M2)
PCBBF136	PCB, IGNITION, HSI, INTEG
0130F00441	PRESSURE SWITCH (M2)
0130F00641	PRESSURE SWITCH (M1)
20162907	PRIMARY LIMIT (M2)
20162903	PRIMARY LIMIT - BLUE (M1)
0130F00038	PRIMARY LIMIT - LT BLUE 120° (AUX) (QTY 2)

SPECIAL PARTS

0161F00000P GOODMAN NAMEPLATE

Expanded Model Nomenclature

M1 - GMSS920403ANAA

M2 - GMSS921005CNAB

Cabinet Assembly

IMAGE 1

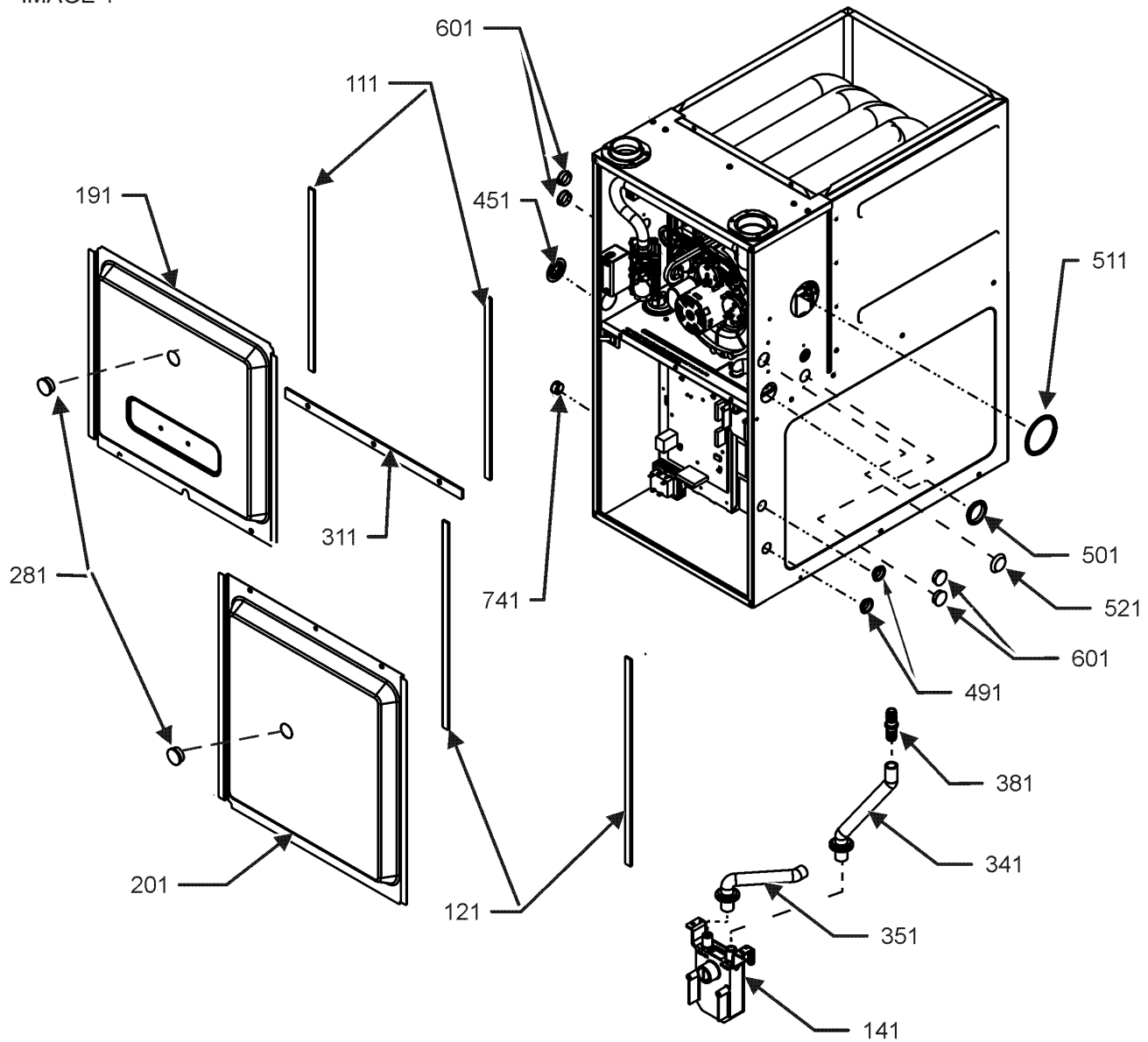
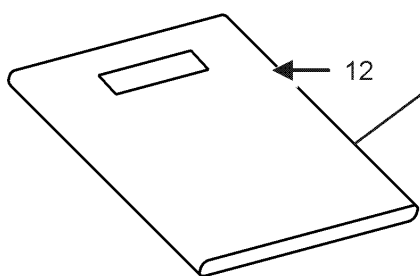
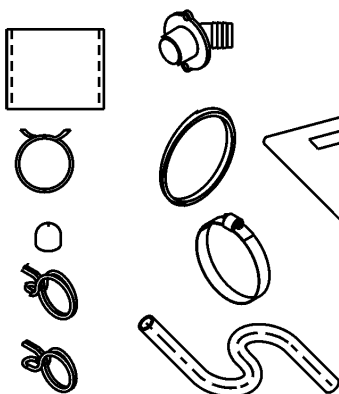


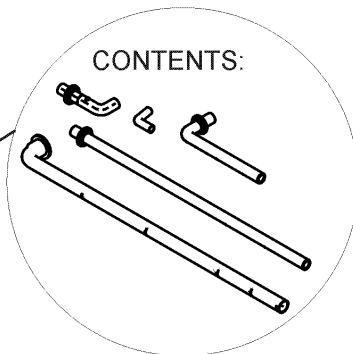
IMAGE 2



CONTENTS:



CONTENTS:



Cabinet Assembly

Ref. Part No: No:	Description:	Ref. Part No: No:	Description:
-------------------	--------------	-------------------	--------------

Image 1:

111	0154F00024	GASKET (QTY 2)
121	0154F00025	GASKET (QTY 2)
141	0161F00046	DRAIN TRAP
191	0121F00292DG	DOOR, ACCESS 21 PNT (M2)
191	0121F00674DG	PNT, DOOR, ACCESS 14" (M1)
201	0121F00289DG	DOOR, BLOWER 21 PNT (M2)
201	0121F00672DG	PNT, DOOR, BLOWER 14" (M1)
281	B1392139	VIEW PORT BUSHING-BLOWER DOOR (QTY 2)
311	0154F00021	GASKET, DECK (M2)
311	0154F00063	GASKET, DECK (M1)
341	0164F00017	HOSE-ELBOW/TRAP
351	0164F00020	DRAIN HOSE (M1)
351	0164F00006	HOSE, COVER/TRAP (M2)
381	0161F00047	COUPLING, HOSE BARBED
451	M0501301	PIPE GROMMET
491	M0570808	BUTTON PLUG (QTY 3)
501	M0570806	BUTTON PLUG
511	M0570807	BUTTON PLUG
521	0161M00027	PLUG, HOLE
601	B1392021	PLASTIC PLUG, 1" (2713-BLK) (QTY 4)
741	B1392104	UNIVERSAL BUSHING UB 875
NS	M0310345	BUTTON PLUG (QTY 2)
NS	0161F00000P	GOODMAN NAMEPLATE
NS	M0209730	SCREW-DECORATIVE (QTY 3)

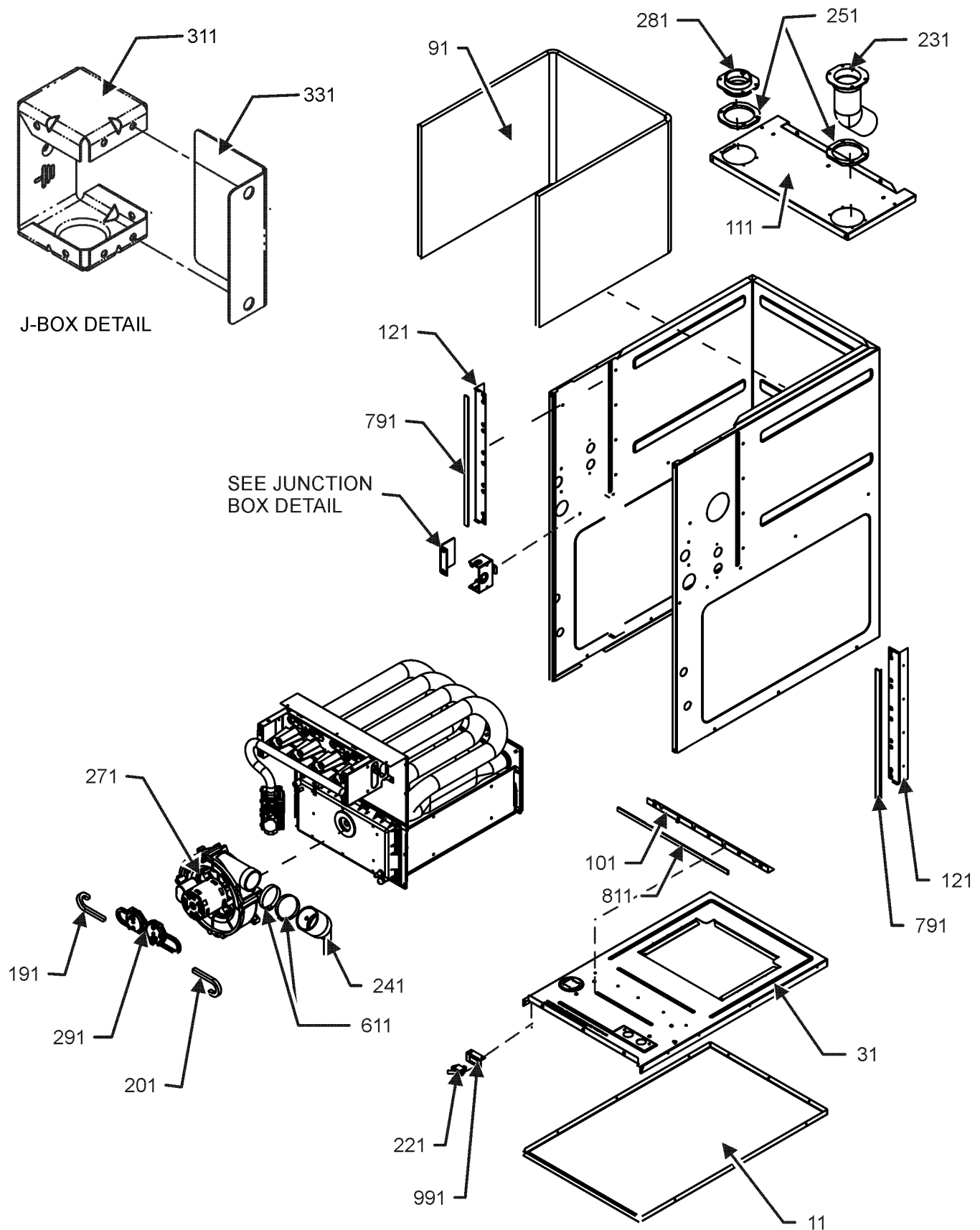
Image 2:

12	0270F03140	DRAIN PART BAG ASSY UF
22	0270F03667	BAG ASSY UF

Expanded Model Nomenclature

M1 - GMSS920403ANAA
M2 - GMSS921005CNAB

Chassis Assembly



Chasis Assembly

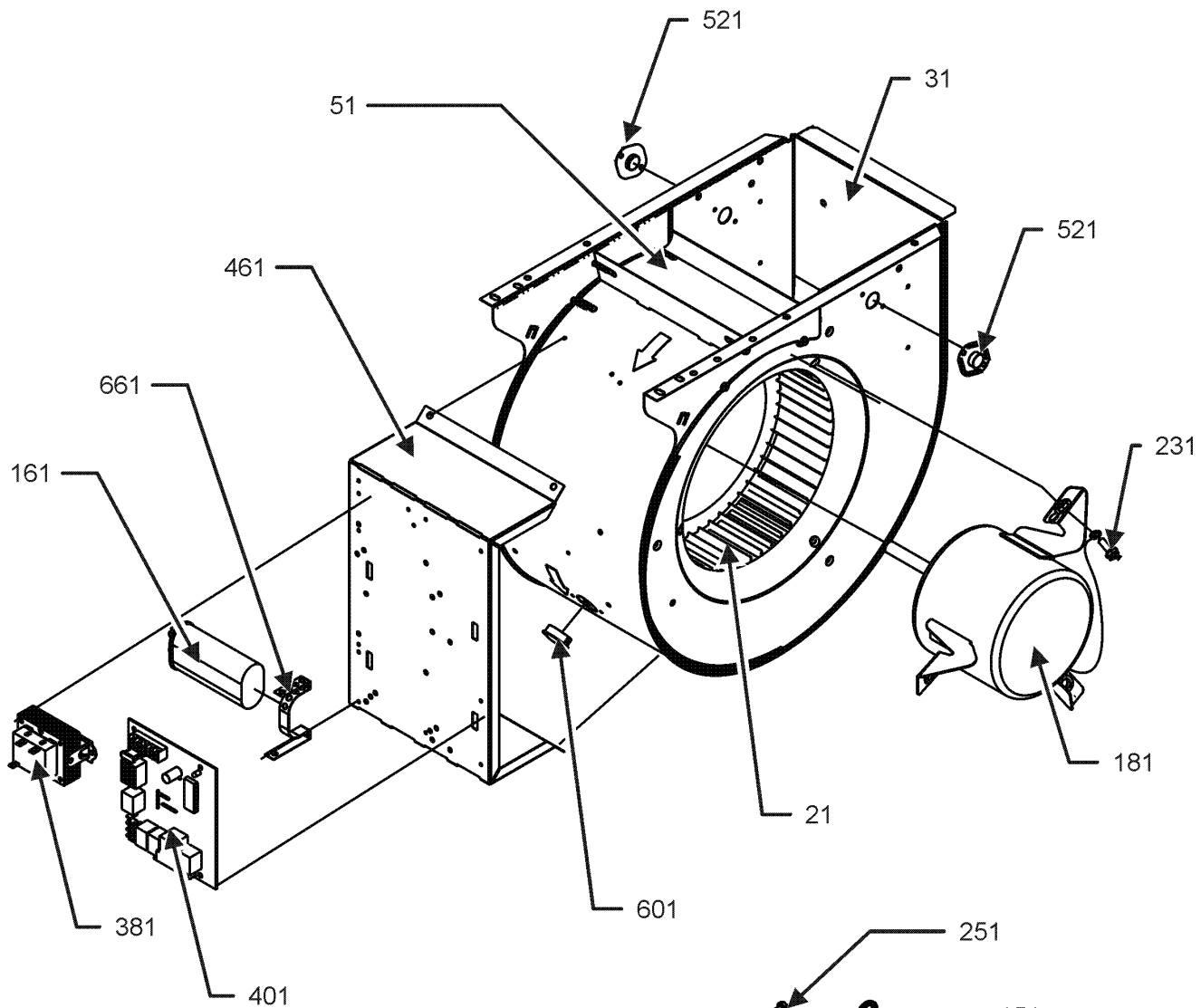
Ref. Part No: No:	Description:	Ref. Part No: No:	Description:
Image 1:			
11	0121F00531DG		BASEPAN, 21 PNT (M2)
11	0121F00664DG		BASEPAN,14 PNT (M1)
31	0121F00663		DECK, BLOWER 14" (M1)
31	0121F00534		DECK-BLOWER 21" (M2)
91	0160F00025		INSULATION, HT EXCHANGER (M1)
91	0160F00016		INSULATION, HT EXCHANGER 21" (M2)
101	0121F00315		ANGLE, DECK (M2)
101	0121F00661		ANGLE, DECK (M1)
111	0121F00280DG		PAINTED TOP, FURNACE 21 (M2)
111	0121F00662DG		PNT, FURNACE TOP 14" (M1)
121	0121F00313		ANGLE, SIDE (QTY 2)
191	0164M00008		PRESSURE SWITCH HOSE (M2)
191	0164M00015		PRESSURE SWITCH HOSE (M1)
201	0164M00009		PRESSURE SWITCH HOSE (M1)
201	0164M00015		PRESSURE SWITCH HOSE (M2)
221	0130M00243		INTERLOCK SWITCH
231	0164F00002		FLUE PIPE W/BEND
241	0164F00001		ELBOW-FLUE, UPFLOW
251	0154F00041		FRESH AIR GASKET (QTY 2)
271	0171M00008		MOTOR, ID BLOWER (M1)
271	0171M00001		MOTOR-ID, BLOWER (M2)
281	0161F00037		COUPLING
291	0130F00641		PRESSURE SWITCH (M1)
291	0130F00441		PRESSURE SWITCH (M2)
311	0161F00042		JUNCTION BOX PLA
331	0161F00043		JUNCTION BOX LID
611	0163M00049		HOSE CLAMP (QTY 3)
791	0154F00015		GASKET (QTY 2)
811	0154F00016		GASKET (M2)
811	0154F00064		GASKET (M1)
991	0121F00389		BRACKET, DOOR SWITCH
NS	0159F00067		HARNESS, WIRING (M2)
NS	0159F00070		HARNESS, WIRING (M1)
NS	M0326804		TUBE PLUG

Expanded Model Nomenclature

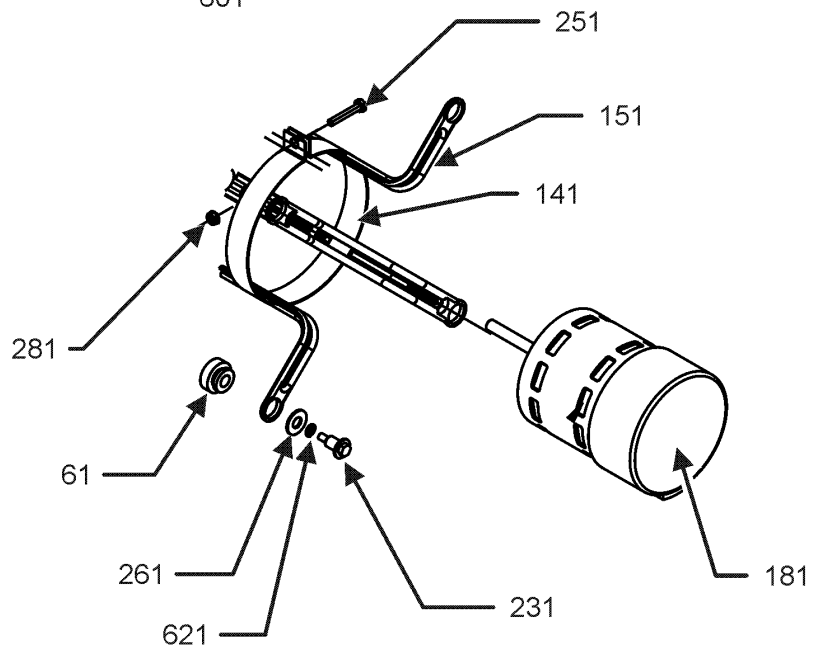
M1 - GMSS920403ANAA

M2 - GMSS921005CNAB

Blower Assembly



BLOWER ASSEMBLY MAY DIFFER FROM WHAT IS SHOWN



ALTERNATE BLOWER MOTOR

Blower Assembly

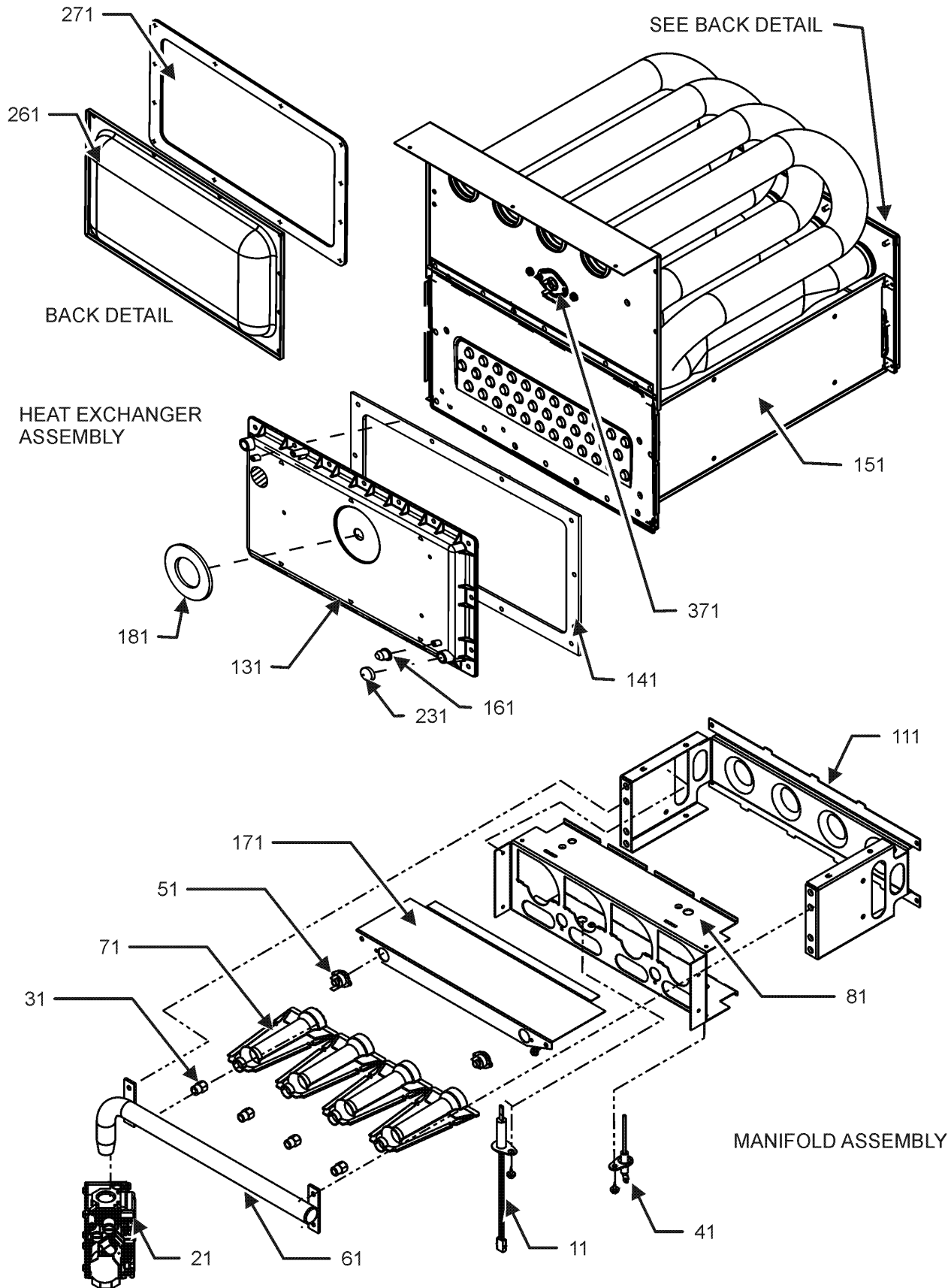
Ref. Part No: No:	Description:	Ref. Part No: No:	Description:
Image 1:			
21	B1368034		BLOWER WHEEL 10 X 6 (M1)
31	0271F00323		BLOWER HSG ASSY (M1)
31	0271F00161		BLOWER SHELL & WHEEL ASSY (M2)
51	764739		BLOWER CUT-OFF 10 X 6 (M1)
61	A4002702		BLOWER MOTOR GROMMET (M2)
141	10441601		MOTOR MOUNT BAND (M2)
151	10441501		MOTOR MOUNT ARM (M2)
161	CAP125000370LA		CAPACITOR 12.5/370V (M1)
161	CAP150000370LA		CAPACITOR 15/370V (M2)
181	0131F00027		MOTOR, 1/3HP, 4SP, 6PL (M1)
181	0131F00044		MOTOR, 3/4 HP (M2)
231	0163F00028		SCREW (M2)
231	M0250558		TC SCREW (M1)
251	M0267144		MACHINE SCREW (M2)
261	M0274008		WASHER-FLAT (M2)
281	M0282015		KEPS NUT (M2)
381	0130M00140		TRANSFORMER 120V TO 24V, 40VA
401	PCBBF136		PCB, IGNITION, HSI, INTEG
461	0121F00464		MOUNTING PLATE-CONTROLS
521	0130F00038		PRIMARY LIMIT - LT BLUE 120° (AUX) (QTY 2)
601	B1392021		PLASTIC PLUG, 1" (2713-BLK) (QTY 4)
621	B1392820		WASHER, SPLIT LOCK 1/4 BZ (M2)
661	20520901		CAPACITOR STRAP
NS	0259F00024		WIRE HARNESS-BLOWER

Expanded Model Nomenclature

M1 - GMSS920403ANAA

M2 - GMSS921005CNAB

Heat Exchange / Manifold Assembly



Heat Exchange / Manifold Assembly

Ref. Part No: No:	Description:	Ref. Part No: No:	Description:
<i>Image 1:</i>			
11	0130F00008		IGNITOR-SINI 17 SEC
21	0151M00037		GAS VALVE
31	10716005		ORIFICE (QTY 2)
41	0130F00010		FLAME SENSOR
51	10123539		MANUAL RESET LIMIT-ORANGE (M2)
51	10123538		MANUAL RESET LIMIT-TAN (M1)
61	0163F00007		MANIFOLD (M1)
61	0163F00010		MANIFOLD (M2)
71	0163F00017		BECKETT BURNER (QTY 2)
81	0121F00456		BRACKET-BURNER 2 (M1)
81	0121F00453		BRACKET-BURNER 5 (M2)
111	0121F00469		ORIFICE BRACKET-BURNER 2 (M1)
111	0121F00466		ORIFICE BRACKET-BURNER 5 (M2)
131	0161F00027		COVER, FRONT (M2)
131	0161F00076		COVER, FRONT (M1)
141	0154F00030		GASKET FRONT COVER (M2)
141	0154F00062		GASKET FRONT COVER (M1)
151	0257F00281		HEAT EXCHANGER ASSY (M2)
151	0257F00449		HEAT EXCHANGER ASSY (M1)
161	M0326804		TUBE PLUG
171	0121F00539		SHIELD, BURNER (M1)
171	0121F00542		SHIELD, BURNER (M2)
181	0154F00043		GASKET ID BLOWER
231	A1781105		CAP-VINYL .500
261	0121F00318		COVER, REAR (M2)
261	0121F00670		COVER, REAR (M1)
271	0154F00038		GASKET, REAR CVR (M2)
271	0154F00058		GASKET, REAR CVR (M1)
371	20162907		PRIMARY LIMIT (M2)
371	20162903		PRIMARY LIMIT - BLUE (M1)
NS	0121F00415		BAFFLE, AIR FURN
NS	0121F00582		INSULATION, RETAINER (M1)
NS	0121F00584		INSULATION, RETAINER (M2)
NS	0121F00439		PRIMARY LIMIT-HEAT SHIELD
NS	0121F00355		SHIELD, COIL (QTY 2)

Expanded Model Nomenclature

M1 - GMSS920403ANAA

M2 - GMSS921005CNAB