

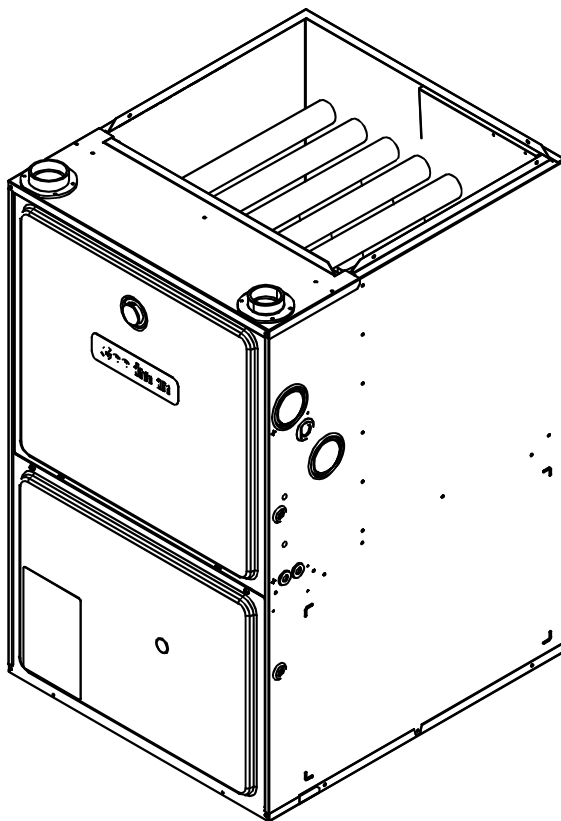


# REPAIR PARTS

---

## GMS95 95% GAS FURNACE

GMS950453BXA  
GMS950703BXA  
GMS950704CXA  
GMS950904CXA  
GMS950905DXA  
GMS951155DXA



Made in the USA by:  
Goodman Manufacturing Company, L.P.  
2550 North Loop West, Suite 400  
Houston Texas 77092

[www.goodmanmfg.com](http://www.goodmanmfg.com)

RP-366  
Revision 0  
November 2005

# Important Information

---

## Index

Functional Parts List .....	3
Illustration and Parts .....	4 - 13

*Views shown are for parts illustrations only, not servicing procedures*

### Text Codes:

AR - As Required

NA - Not Available

NS - Not Shown

00000000 - See Note

QTY - Quantity Example (QTY 3) (If Quantity not shown, Quantity = 1)

M - Model Example (M1) (If M Code not shown, then part is used on all Models)

### Expanded Model Nomenclature:

Example
M1 - Model#1
M2 - Model#2
M3 - Model#3

Goodman Manufacturing Company, L.P. is not responsible for personal injury or property damage resulting from improper service. Review all service information before beginning repairs.

Warranty service must be performed by an authorized technician, using authorized factory parts. If service is required after the warranty expires, Goodman Manufacturing Company, L.P. also recommends contacting an authorized technician and using authorized factory parts.

Goodman Manufacturing Company, L.P., reserves the right to discontinue, or change at any time, specifications or designs without notice or without incurring obligations. Goodman® brand products are made proudly in the USA.

For assistance within the U.S.A. contact:  
Consumer Affairs Department  
Goodman Manufacturing Company, L.P.  
7401 Security Way  
Houston, Texas 77040  
877-254-4729-Telephone  
713-863-2382-Facsimile

For assistance outside the U.S.A. contact:  
International Division  
Goodman Manufacturing Company, L.P.  
7401 Security Way  
Houston, Texas 77040  
713-861-2500-Telephone  
713-863-2382-Facsimile

# Functional Parts

## Part

## No: Description:

B2810816	2" MESH INSERT
B2810814	3" MESH INSERT
10735102	BECKETT BURNER (QTY AR)
22307501	BLOWER-I.D.
0271F00003P	BLWR HSG ASSY 10 X 10 (M3, M4)
	INCLUDES BLOWER WHEEL
0271F00000P	BLWR HSG ASSY 10 X 8 (M1, M2)
	INCLUDES BLOWER WHEEL
11185807	BLWR HSG ASSY 11 X 10 (M5, M6)
D6879756	CAPACITOR 12.5/370 (M1, M2)
D6879748	CAPACITOR 15/370 (M5, M6)
D6879757	CAPACITOR 20/370 (M3, M4)
B1282628	GAS VALVE, MANIFOLD
20276016	HARNES-WIRING
22323706	HOSE-PRESSURE SW
B1809926	HSI BOARD, 12-PIN
0257F00050P	HT EX ASSY 2B (M1)
0257F00051P	HT EX ASSY 3B (M2)
0257F00054	HT EX ASSY 3B (M3)
0257F00052P	HT EX ASSY 4B (M4)
0257F00044P	HT EX ASSY 4B (M5)
20494535	HT EX ASSY 5B (M6)
20165703	IGNITOR
20162906	LIMIT (M6)
20162904	LIMIT (M1, M4)
20162903	LIMIT (M2, M3, M5)
10123533	LIMIT-RESET MAN
20196404	MANIFOLD (M6)
20196403	MANIFOLD (M4, M5)
20196402	MANIFOLD (M2, M3)
20196401	MANIFOLD (M1)
B1340025	MOTOR, DIRECT DRIVE (M1, M2)
B1340024	MOTOR, DIRECT DRIVE (M3, M4)
10759415	MOTOR-BLOWER 3/4 HP (M5, M6)
10716003	ORIFICE (QTY AR)
20488501	SENSOR-FLAME
10195517Q	STNDPIPE BAG ASSY
10690402	SWITCH-INTERLOCK
20197310	SWITCH-PRESSURE FRONT COVER (M4, M6)
20197312	SWITCH-PRESSURE FRONT COVER (M1, M2, M3, M5)
0130F00002P	SWITCH-PRESSURE ID BLOWER (M2)
0130F00001P	SWITCH-PRESSURE ID BLOWER (M4)
0130F00000P	SWITCH-PRESSURE ID BLOWER (M1, M3, M5, M6)
B1141605	TRANSFORMER, 120 V
D6723311	WHEEL-BLOWER (M5, M6)
B1368047	WHEEL-BLOWER (10 X 10) (M3, M4)
B1368058	WHEEL-BLOWER (10 X 8) (M1, M2)

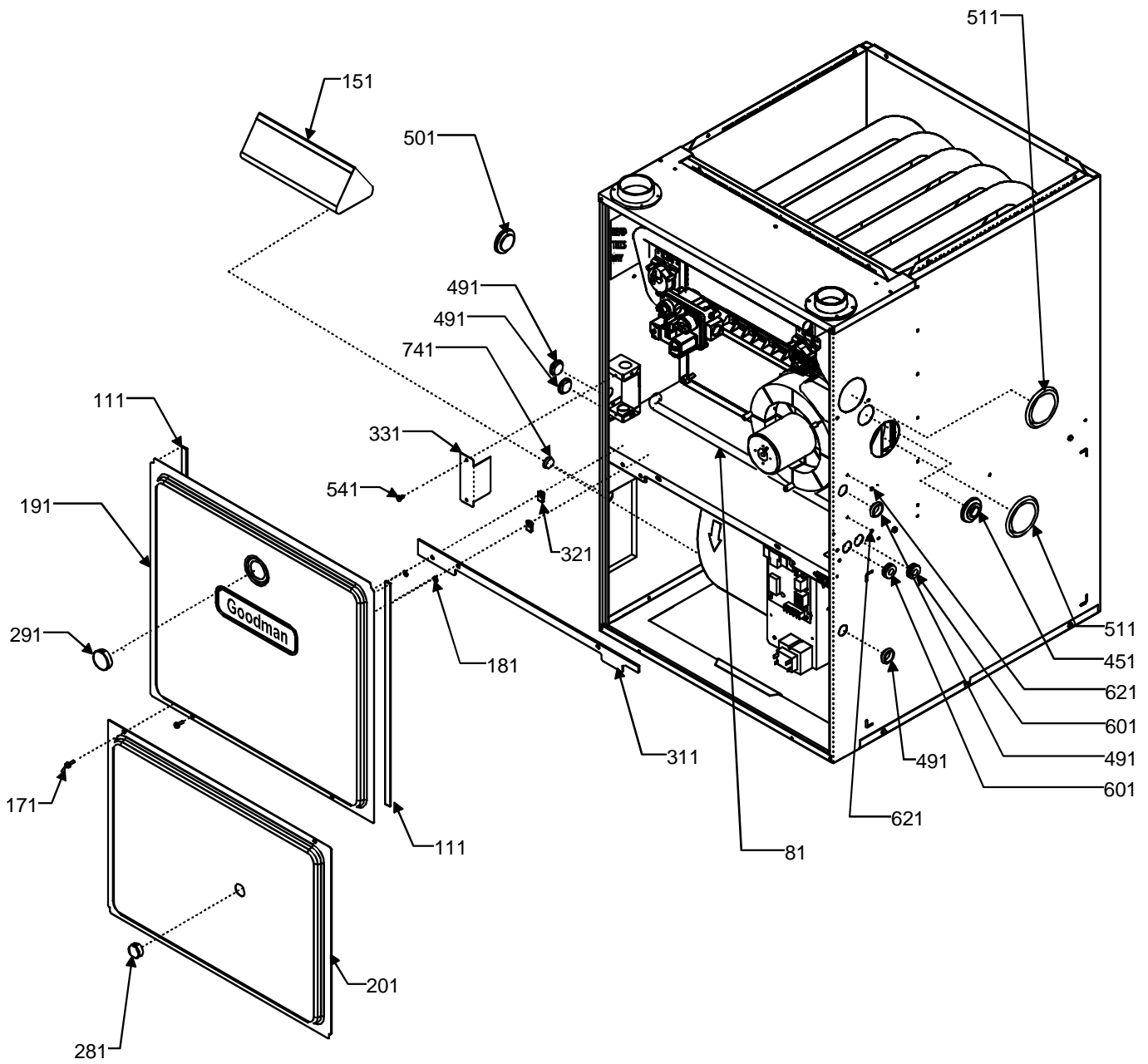
## SPECIAL PARTS

HI-115	HOMEOWNER INSTRUCTIONS
IO-277A	INSTALLATION INSTRUCTIONS
22323501	INSTALLATION INSTRUCTIONS -HUMIDIFIER
RP-366	REPAIR PARTS MANUAL

## Expanded Model Nomenclature

M1 - GMS950453BXA
M2 - GMS950703BXA
M3 - GMS950704CXA
M4 - GMS950904CXA
M5 - GMS950905DXA
M6 - GMS951155DXA

# Cabinet



# Cabinet

Ref. Part No: No:	Description:	Ref. Part No: No:	Description:
----------------------	--------------	----------------------	--------------

Image 1:

1	M0216716	SCREW-SM (QTY 4)
81	20201902	HOSE-DRAIN
111	20179308	GASKET (QTY 2)
151	10195517Q	STNDPIPE BAG ASSY
171	M0204317	SCREW-MACH (QTY 4)
181	M0273904	RETAINER-SCREW (QTY 4)
191	20523902	DOOR-ACCESS PNT (M1, M2)
191	20523904	DOOR-ACCESS PNT (M3, M4)
191	20523906	DOOR-ACCESS PNT (M5, M6)
201	20524002	DOOR-BLOWER PNT (M1, M2)
201	20524004	DOOR-BLOWER PNT (M3, M4)
201	20524006	DOOR-BLOWER PNT (M5, M6)
281	B1392139	VIEW PORT BUSHING - BLOWER DOOR
291	11104002	VIEW PORT BUSHING - ACCESS DOOR
311	22320001	GASKET-DECK (M1, M2)
311	22320002	GASKET-DECK (M3, M4)
311	22320003	GASKET-DECK (M5, M6)
321	91000301	NUT-U SPEED (QTY 4)
331	10736201	COVER-HV BOX FUR
451	M0501301	GROMMET-PIPE
491	M0570808	PLUG-BUTTON (QTY 4)
501	M0570806	PLUG-BUTTON
511	M0570807	PLUG-BUTTON (QTY 2)
541	M0216716	SCREW-SM (QTY 2)
601	A4691701	GROMMET (QTY 2)
621	M0310345	BUTTON-PLUG (QTY 2)
741	M0571002	BUSHING-SNAP

Expanded Model Nomenclature

M1 - GMS950453BXA
M2 - GMS950703BXA
M3 - GMS950704CXA
M4 - GMS950904CXA
M5 - GMS950905DXA
M6 - GMS951155DXA

# Blower Assembly

Image 1

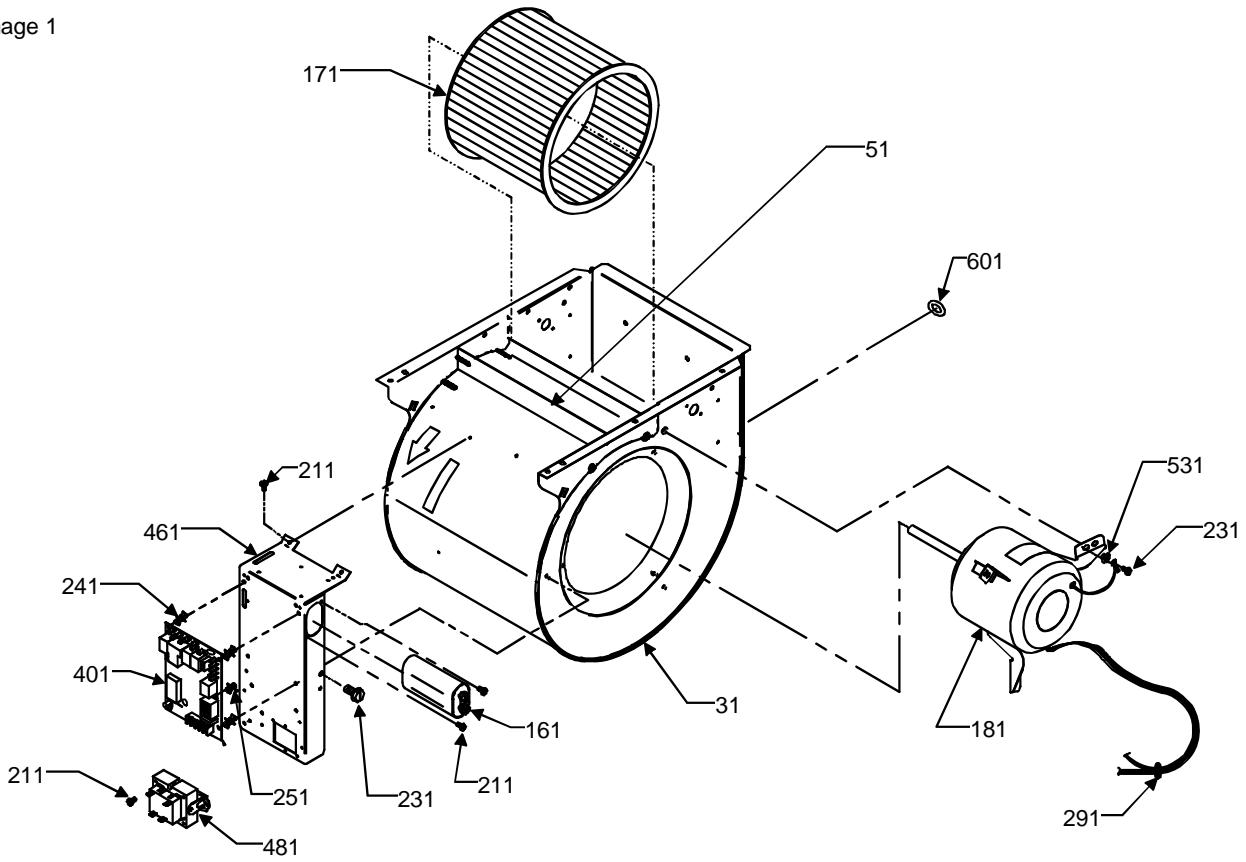
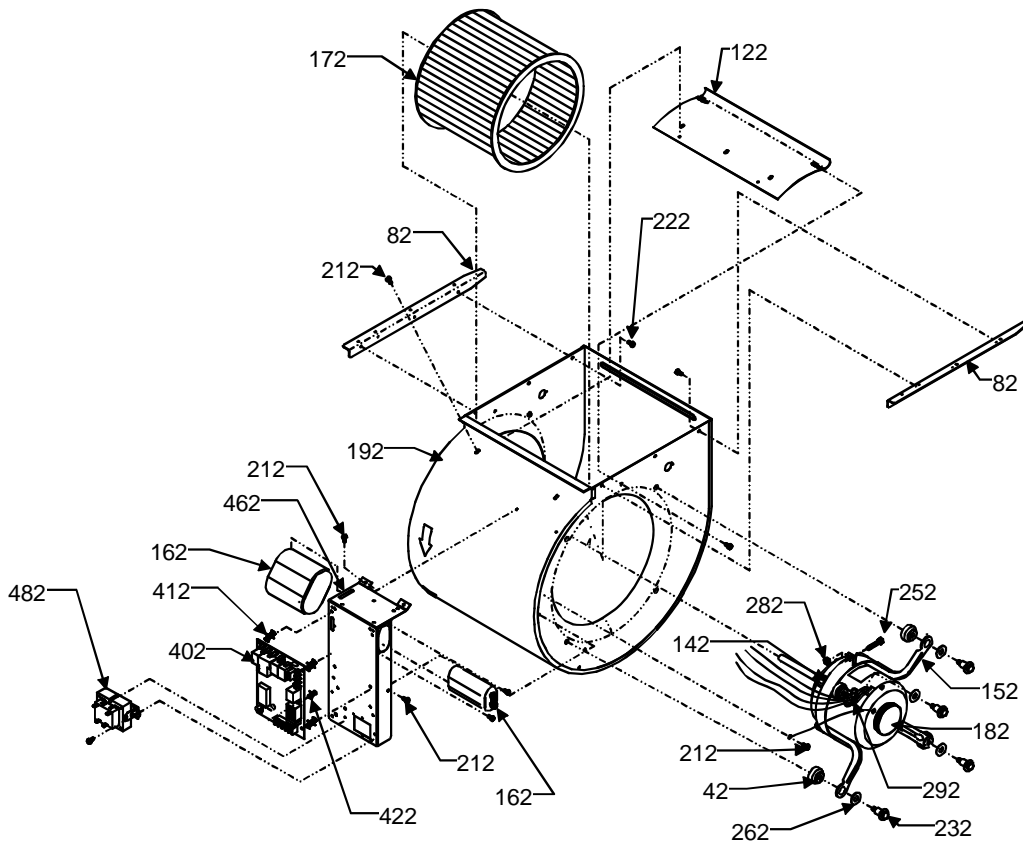


Image 2



# Blower Assembly

Ref. Part No:	Ref. Part No:	Description:	Description:
---------------	---------------	--------------	--------------

*Image 1:*

31	0271F00003P	BLWR HSG ASSY 10 X 10 (M3, M4) INCLUDES BLOWER WHEEL
31	0271F00000P	BLWR HSG ASSY 10 X 8 (M1, M2) INCLUDES BLOWER WHEEL
51	764741F	BLWR BLK-OFF 10 X 10 (M3, M4)
51	764740F	BLWR BLK-OFF 10 X 8 (M1, M2)
161	D6879756	CAPACITOR 12.5/370 (M1, M2)
161	D6879757	CAPACITOR 20/370 (M3, M4)
171	B1368047	WHEEL-BLOWER (10 X 10) (M3, M4)
171	B1368058	WHEEL-BLOWER (10 X 8) (M1, M2)
181	B1340024	MOTOR, DIRECT DRIVE (M3, M4)
181	B1340025	MOTOR, DIRECT DRIVE (M1, M2)
211	M0219916	SCREW-SM (M1, M2, M3, M4)
231	M0250558	SCREW-TC (M1, M2, M3, M4)
241	B1393802	SUPPORT, 2-WING BOARD (M1, M2, M3, M4)
251	B1393803	SUPPORT, SINGLE-WING (M1, M2, M3, M4)
291	M0321202	TIE-ELEC LG (M1, M2, M3, M4, M6)
401	B1809926	HSI BOARD, 12-PIN
461	0121F00025P	BRACKET-CONTROL (M1, M2, M3, M4)
481	B1141605	TRANSFORMER, 120 V
531	B1392143	GROMMET, F/TORISM FLEX (M1, M2, M3, M4)
601	B1392021	PLASTIC PLUG, 1" (M1, M2, M3, M4)

Expanded Model Nomenclature

M1 - GMS950453BXA
M2 - GMS950703BXA
M3 - GMS950704CXA
M4 - GMS950904CXA
M5 - GMS950905DXA
M6 - GMS951155DXA

*Image 2:*

42	A4002701	GROMMET (M5, M6)
82	20175101	RAIL-BLWR SIDE (M5, M6)
122	C6121807	CUTOFF (M5, M6)
142	10441601	BAND-MTR MOUNT (M5, M6)
152	10441501	ARM-MTR MOUNT (M5, M6)
162	D6879748	CAPACITOR 15/370 (M5, M6)
172	D6723311	WHEEL-BLOWER (M5, M6)
182	10759415	MOTOR-BLOWER 3/4 HP (M5, M6)
192	11185807	BLWR HSG ASSY 11 X 10 (M5, M6)
212	M0219916	SCREW-SM (M5, M6)
222	M0253516	SCREW-TR (M5, M6)
232	M0221461	SCREW-TC (M5, M6)
252	M0267144	SCREW-MACH (M5, M6)
262	M0274008	WASHER-FLAT (M5, M6)
282	M0282015	NUT-KEPS (M5, M6)
292	M0321202	TIE-ELEC LG (M5, M6)
402	B1809926	HSI BOARD, 12-PIN (M5, M6)
412	B1393802	SUPPORT, 2-WING BOARD (M5, M6)
422	B1393803	SUPPORT, SINGLE-WING (M5, M6)
462	10746207	BRACKET-CONTROL (M5, M6)
482	B1141605	TRANSFORMER, 120 V (M5, M6)

# Chassis

Image 1

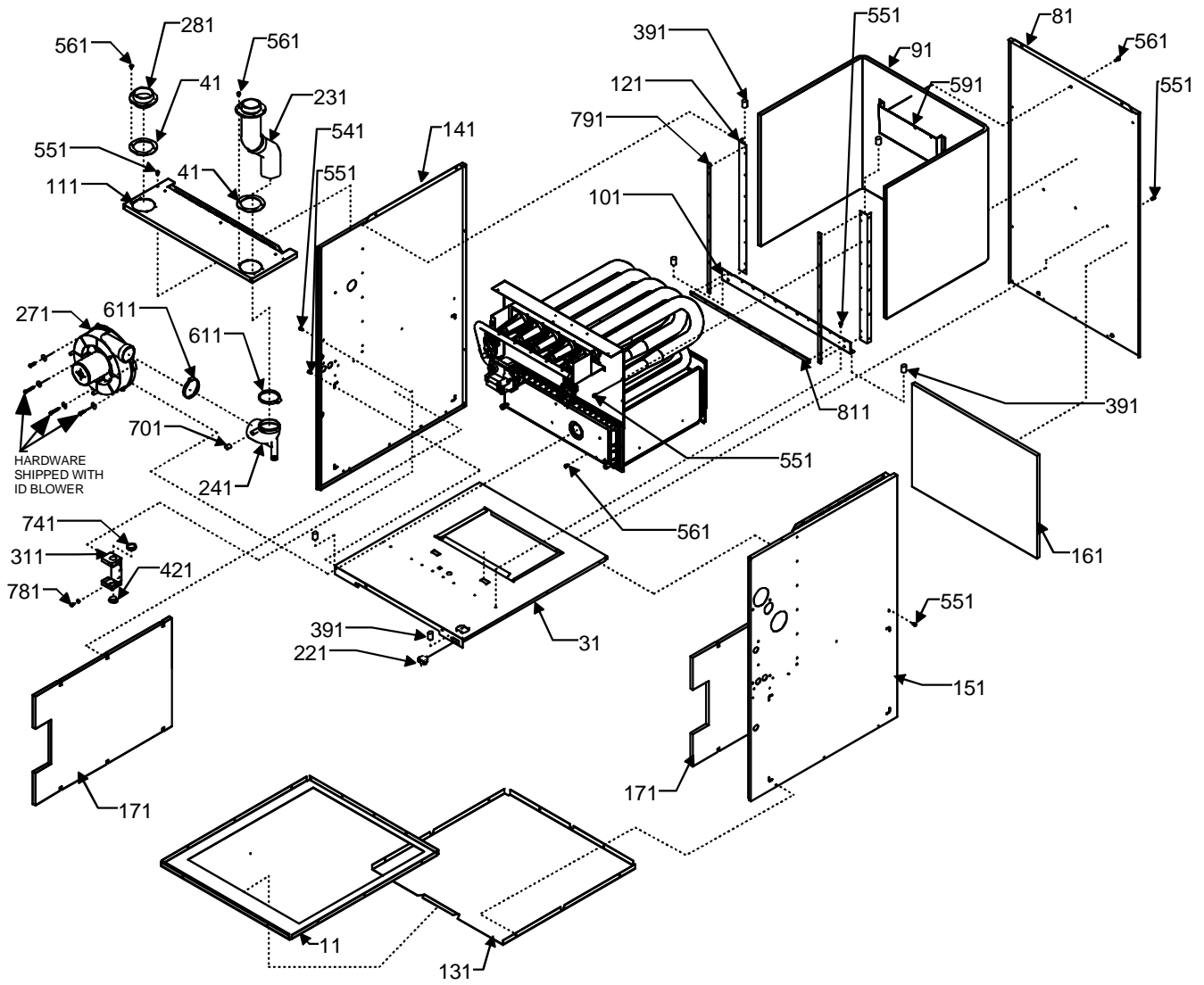
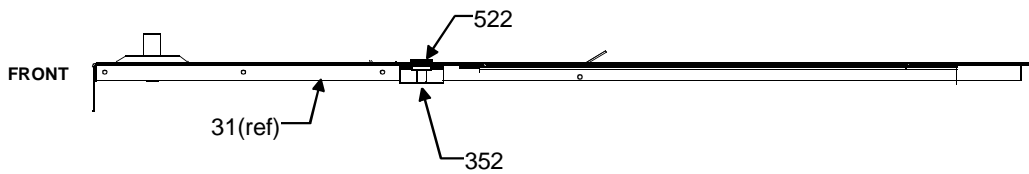


Image 2



# Chassis

Ref. Part No:	No:	Description:	Ref. Part No:	No:	Description:
<i>Image 1:</i>			611	A3326002	CLAMP-HOSE (QTY 2)
11	20273407	BASEPAN-UPFLOW PNT (M1, M2)	701	B9139949	PLUG-PLASTIC TAPERED
11	20273409	BASEPAN-UPFLOW PNT (M3, M4)	741	M0571002	BUSHING-SNAP
11	20273411	BASEPAN-UPFLOW PNT (M5, M6)	781	M0227803	SCREW-TC
31	0121F00014P	DECK-BLWR UF (M1, M2)	791	20194608	GASKET (QTY 2)
31	0121F00015P	DECK-BLWR UF (M3, M4)	811	20194605	GASKET (M1, M2)
31	20190227	DECK-BLWR UF (M5, M6)	811	20194606	GASKET (M3, M4)
41	0154F00000P	GASKET-COIL (M1, M2)	811	20194607	GASKET (M5, M6)
41	0154F00001P	GASKET-COIL (M3, M4)	<i>Image 2:</i>		
41	0154F00002P	GASKET-COIL (M5, M6)	352	10861101	BRKT-AUX LIMIT
81	20273208	PANEL-BACK UF PNT (M1, M2)	522	10123519	LIMIT-RESET MAN (SECONDARY) (M6)
81	20273210	PANEL-BACK UF PNT (M3, M4)	522	10123535	LIMIT-RESET MAN (SECONDARY) (M1, M2, M3, M4, M5)
81	20273212	PANEL-BACK UF PNT (M5, M6)	Expanded Model Nomenclature		
91	C6415909	INSUL-HT EX (M5, M6)	M1 - GMS950453BXA		
91	C6415910	INSUL-HT EX (M1, M2)	M2 - GMS950703BXA		
91	C6415911	INSUL-HT EX (M3, M4)	M3 - GMS950704CXA		
101	0121F00018P	RAIL-DECK (M1, M2)	M4 - GMS950904CXA		
101	0121F00019P	RAIL-DECK (M3, M4)	M5 - GMS950905DXA		
101	20191303	RAIL-DECK (M5, M6)	M6 - GMS951155DXA		
111	0270F00100P	TOP COVER ASSY (M1, M2)			
111	0270F00101P	TOP COVER ASSY (M3, M4)			
111	0270F00102P	TOP COVER ASSY (M5, M6)			
121	20191602	RAIL-SIDE (M1, M2)			
121	20191603	RAIL-SIDE (M3, M4)			
121	20191604	RAIL-SIDE (M5, M6)			
131	20523801	PLATE-FILLER (M1, M2)			
131	20523802	PLATE-FILLER (M3, M4)			
131	20523803	PLATE-FILLER (M5, M6)			
141	0121F00035PDG	PANEL-SIDE LH UF PNT			
151	0121F00033PDG	PANEL-SIDE RH UF PNT			
161	20006601	INSULATION (M1, M2)			
161	20006602	INSULATION (M3, M4)			
161	20006603	INSULATION (M5, M6)			
171	20243503	INSULATION-SIDE (QTY 2)			
221	10690402	SWITCH-INTERLOCK			
231	22309501	PIPE-FLUE UF			
241	20171802	ELBOW			
271	22307501	BLOWER-I.D.			
281	20049701	COUPLING-FA			
311	10736102	BOX-HIGH VOLT FUR			
391	M0275521	SEALER-PLASTIC			
421	A4554801	BUSHING-SNAP			
541	M0216716	SCREW-SM (QTY 4)			
551	M0219916	SCREW-SM (QTY AR)			
561	M0219918	SCREW-SM #8-5/8 (QTY AR)			
591	11165107	SHIELD ID BLWR			

# Heat Exchanger / Manifold / Gas Valve

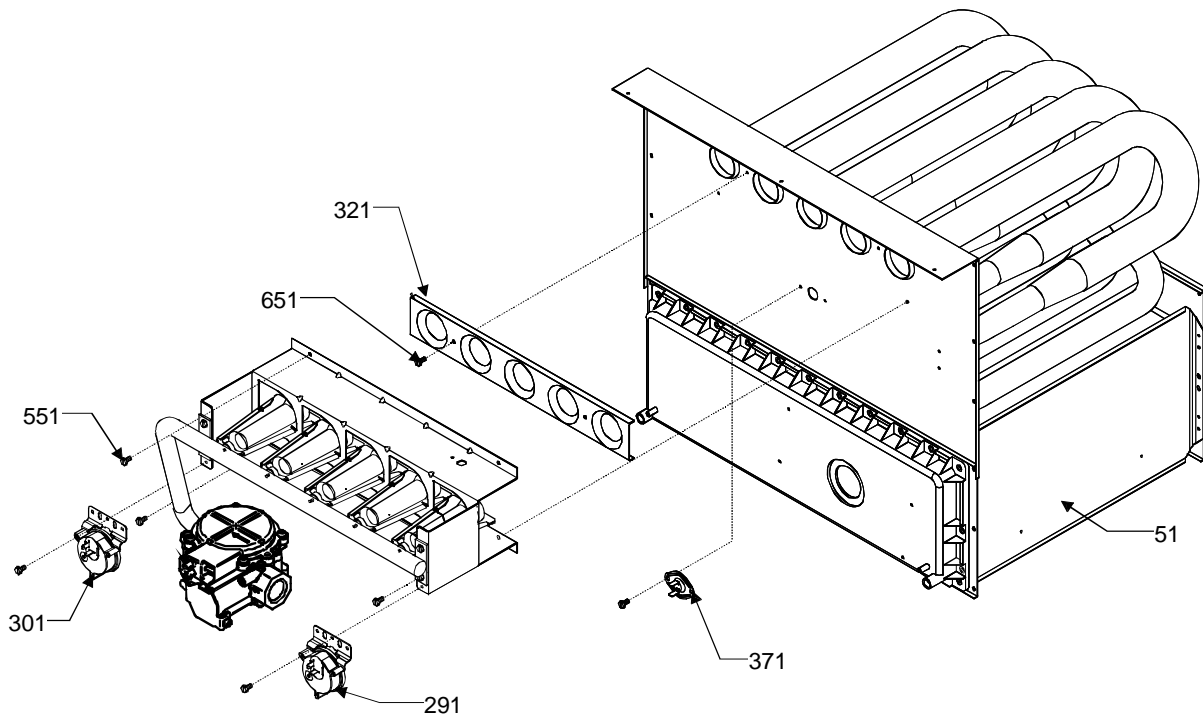
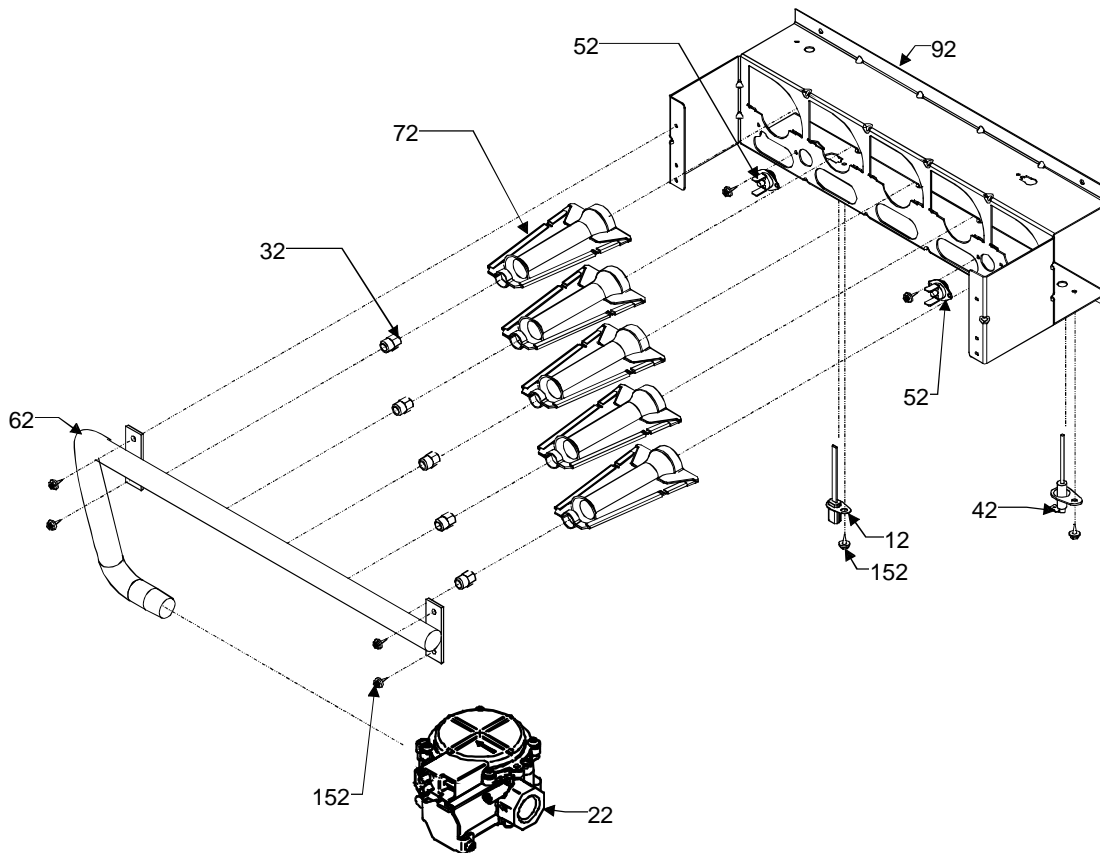


Image 1

Image 2



# Heat Exchanger / Manifold / Gas Valve

Ref. Part No:	Part No:	Description:	Ref. Part No:	Part No:	Description:
---------------	----------	--------------	---------------	----------	--------------

*Image 1:*

51	0257F00050P	HT EX ASSY 2B (M1)
51	0257F00051P	HT EX ASSY 3B (M2)
51	0257F00054	HT EX ASSY 3B (M3)
51	0257F00044P	HT EX ASSY 4B (M5)
51	0257F00052P	HT EX ASSY 4B (M4)
51	20494535	HT EX ASSY 5B (M6)
291	0130F00000P	SWITCH-PRESSURE ID BLOWER (M1, M3, M5, M6)
291	0130F00001P	SWITCH-PRESSURE ID BLOWER (M4)
291	0130F00002P	SWITCH-PRESSURE ID BLOWER (M2)
301	20197310	SWITCH-PRESSURE FRONT COVER (M4, M6)
301	20197312	SWITCH-PRESSURE FRONT COVER (M1, M2, M3, M5)
321	11072201	SHIELD-ORIFICE (M1)
321	11072202	SHIELD-ORIFICE (M2, M3)
321	11072203	SHIELD-ORIFICE (M4, M5)
321	11072204	SHIELD-ORIFICE (M6)
371	20162903	LIMIT (M2, M3, M5)
371	20162904	LIMIT (M1, M4)
371	20162906	LIMIT (M6)
551	M0219916	SCREW-SM (QTY AR)
651	M0211020	SCREW-SM #8-7/8
NS	20193001	BAFFLE-AIR (M1, M3, M5)

*Image 2:*

12	20165703	IGNITOR
22	B1282628	GAS VALVE, MANIFOLD
32	10716003	ORIFICE (QTY AR)
42	20488501	SENSOR-FLAME
52	10123533	LIMIT-RESET MAN
62	20196401	MANIFOLD (M1)
62	20196402	MANIFOLD (M2, M3)
62	20196403	MANIFOLD (M4, M5)
62	20196404	MANIFOLD (M6)
72	10735102	BECKETT BURNER (QTY AR)
92	20190410	BRKT-BURNER 2B (M1)
92	20190411	BRKT-BURNER 3B (M2, M3)
92	20190412	BRKT-BURNER 4B (M4, M5)
92	20190413	BRKT-BURNER 5B (M6)
152	M0219916	SCREW-SM (QTY 8)

Expanded Model Nomenclature

M1 - GMS950453BXA
M2 - GMS950703BXA
M3 - GMS950704CXA
M4 - GMS950904CXA
M5 - GMS950905DXA
M6 - GMS951155DXA

# Recoup Coil Assy / Standpipe Bag Assy

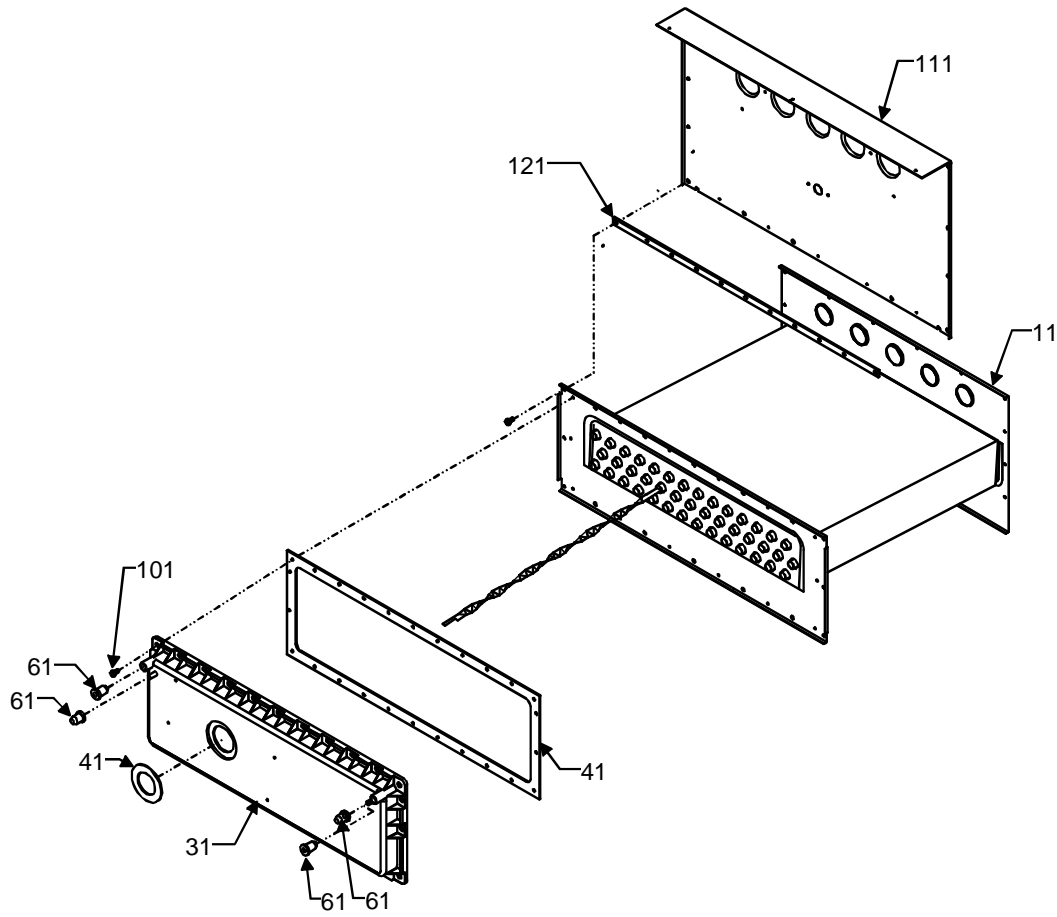
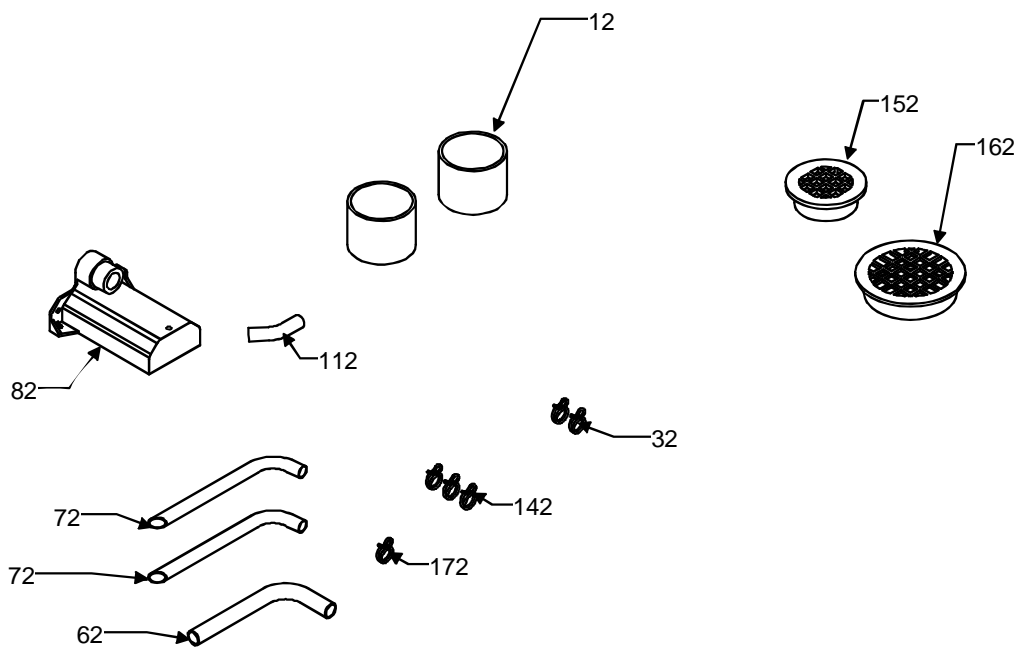


Image 1

Image 2



# Recoup Coil Assy / Standpipe Bag Assy

Ref. Part No: No:	Description:	Ref. Part No: No:	Description:
-------------------	--------------	-------------------	--------------

*Image 1:*

31	20170804A	COVER-FRONT (M1)
31	20170806A	COVER-FRONT (M2)
31	20170901A	COVER-FRONT (M4)
31	20170905A	COVER-FRONT (M3)
31	20171003A	COVER-FRONT (M5)
31	20171004A	COVER-FRONT (M6)
41	0154F00000P	GASKET-COIL (M1, M2)
41	0154F00001P	GASKET-COIL (M3, M4)
41	0154F00002P	GASKET-COIL (M5, M6)
61	M0326804	PLUG-TUBE (QTY 4)
101	B1393509	SCREW, HWH, 10X3/4, AB (QTY AR)
111	20191401	PANEL-PART 2B (M1)
111	20191402	PANEL-PART 3B (M2)
111	20191403	PANEL-PART 3B (M3)
111	20191404	PANEL-PART 4B (M4)
111	20191408	PANEL-PART 4B (M5)
111	20191409	PANEL-PART 5B (M6)
121	20194605	GASKET (M1, M2)
121	20194606	GASKET (M3, M4)
121	20194607	GASKET (M5, M6)

*Image 2:*

12	10254303	COUPLING-RUBBER
32	M0119207	CLAMP-HOSE
62	20201901	HOSE-DRAIN
82	20171701	DRAIN TRAP
112	20214203	DRAIN-ANGLE
142	M0119205	CLAMP-HOSE (QTY 3)
152	B2810816	2" MESH INSERT
162	B2810814	3" MESH INSERT
172	M0119206	CLAMP-HOSE

Expanded Model Nomenclature

M1 - GMS950453BXA
M2 - GMS950703BXA
M3 - GMS950704CXA
M4 - GMS950904CXA
M5 - GMS950905DXA
M6 - GMS951155DXA