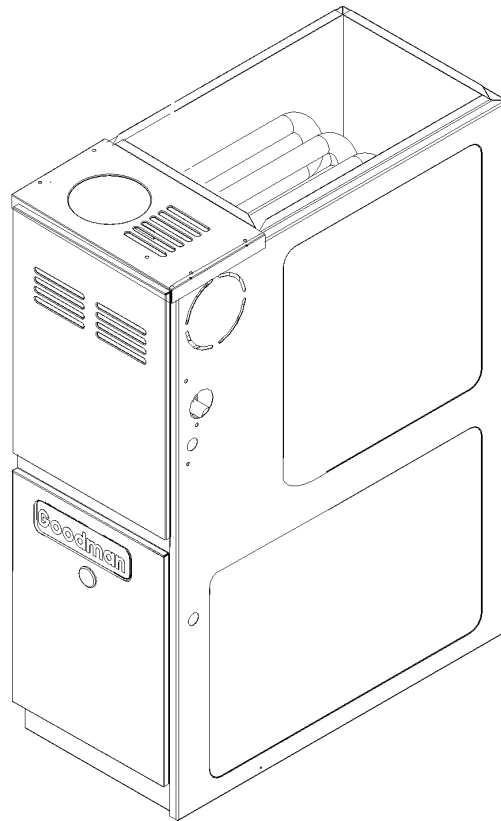




REPAIR PARTS

GMS8**BA Single-Stage Multi-Speed Furnace

GMS80453ANBA
GMS80453ANBB
GMS80453AXBA
GMS80453AXBB
GMS80703ANBA
GMS80703ANBB
GMS80703AXBA
GMS80703AXBB
GMS80704BNBA
GMS80704BNBB
GMS80704BXBA
GMS80704BXBB
GMS80904BNBA
GMS80904BNBB
GMS80904BXBA
GMS80904BXBB
GMS80905CNBA
GMS80905CNBB
GMS80905CXBA
GMS80905CXBB
GMS81155CNBA
GMS81155CNBB
GMS81155CXBA
GMS81155CXBB
GMS81405DNBA
GMS81405DNBB



Made in the USA by:
Goodman Manufacturing Company, L.P.
2550 North Loop West, Suite 400
Houston Texas 77092

www.goodmanmfg.com

RP-393A
October 2006

Important Information

Index

Functional Parts List	3
Illustration and Parts	4 - 13

Views shown are for parts illustrations only, not servicing procedures

Rev. A: Added "BB" models.

Text Codes:

AR - As Required

NA - Not Available

NS - Not Shown

00000000 - See Note

QTY - Quantity Example (QTY 3) (If Quantity not shown, Quantity = 1)

M - Model Example (M1) (If M Code not shown, then part is used on all Models)

Expanded Model Nomenclature:

Example M1 - Model#1 M2 - Model#2 M3 - Model#3

Goodman Manufacturing Company, L.P. is not responsible for personal injury or property damage resulting from improper service. Review all service information before beginning repairs.

Warranty service must be performed by an authorized technician, using authorized factory parts. If service is required after the warranty expires, Goodman Manufacturing Company, L.P. also recommends contacting an authorized technician and using authorized factory parts.

Goodman Manufacturing Company, L.P. reserves the right to discontinue, or change at any time, specifications or designs without notice or without incurring obligations. Goodman® brand products are proudly made in the USA.

For assistance within the U.S.A. contact:
Consumer Affairs Department
Goodman Manufacturing Company, L.P.
7401 Security Way
Houston, Texas 77040
877-254-4729-Telephone
713-863-2382-Facsimile

For assistance outside the U.S.A. contact:
International Division
Goodman Manufacturing Company, L.P.
7401 Security Way
Houston, Texas 77040
713-861-2500-Telephone
713-863-2382-Facsimile

Functional Parts

Part No:

Description:

Part No:	Description:	Part No:	Description:
B4022700	ASSY, INSHOT BURNER 3" (QTY 2)	4021308S	SUB-ASSY, HEAT EXCHANGER 3 CELL, 17.5 (M9, M10, M11, M12)
0259F00006P	ASSY, WIRE HARNESS 12-PIN	4021309S	SUB-ASSY, HEAT EXCHANGER 4 CELL, 17. (M13, M14, M15, M16)
B4068404	ASSY, WIRE HARNESS, IGNITOR 2-PIN	4021310S	SUB-ASSY, HEAT EXCHANGER 4 CELL, 21" (M17, M18, M19, M20)
B1370155	AUXILIARY LIMIT SWITCH, 120°F	4021311S	SUB-ASSY, HEAT EXCHANGER 5 CELL, 21" (M21, M22, M23, M24)
CAP125000370RP	CAPACITOR (M1, M2, M3, M4, M5, M6, M7, M8)	4021312S	SUB-ASSY, HEAT EXCHANGER 6 CELL, 24.5" (M25, M26)
CAP200000370RP	CAPACITOR (M9, M10, M11, M12, M13, M14, M15, M16, M17, M18, M19, M20, M21, M22, M23, M24)	0131M00002S	VENT MOTOR (M1, M3, M5, M7, M9, M11, M13, M15, M17, M19, M21, M23, M25)
CAP250000370RP	CAPACITOR (M25, M26)	0131F00006S	VENT MOTOR, SINGLE STAGE ROUND NOSE (M2, M4, M6, M8, M10, M12, M14, M16, M18, M20, M22, M24, M26)
0130F00010	FLAME SENSOR	0259F00000P	WIRE KIT
B4026005	GAS MANIFOLD, 2 CELL (M1, M2, M3, M4)		
B4026006	GAS MANIFOLD, 3 CELL (M5, M6, M7, M8, M9, M10, M11, M12)		
B4026007	GAS MANIFOLD, 4 CELL (M13, M14, M15, M16, M17, M18, M19, M20)		
B4026008	GAS MANIFOLD, 5 CELL (M21, M22, M23, M24)		
B4026009	GAS MANIFOLD, 6 CELL (M25, M26)		
B1282628	GAS VALVE		
20165703S	IGNITOR		
0130F00005S	INTEGRATED CONTROL		
B1370818	INTERLOCK SWITCH		
B1370198	LIMIT SWITCH, PRIMARY 150°F (M21, M22, M23, M24, M25, M26)		
B1370187	LIMIT SWITCH, PRIMARY 160°F (M5, M6, M7, M8)		
B1370188	LIMIT SWITCH, PRIMARY 170°F (M9, M10, M11, M12, M13, M14, M15, M16)		
B1370189	LIMIT SWITCH, PRIMARY 200°F (M17, M18, M19, M20)		
B1370190	LIMIT SWITCH, PRIMARY 210°F (M1, M2, M3, M4)		
20046618S	MOTOR, BLOWER 3/4 HP (M25, M26)		
B1340024S	MOTOR, DIRECT DRIVE 1/2 HP (M9, M10, M11, M12, M13, M14, M15, M16, M17, M18, M19, M20, M21, M22, M23, M24)		
B1340025S	MOTOR, DIRECT DRIVE 1/3 HP (M1, M2, M3, M4, M5, M6, M7, M8)		
B4089343	ORIFICE (QTY 2)		
B1370142	PRESSURE SWITCH 0.60" WC (M1, M2, M3, M4, M5, M6, M7, M8, M9, M10, M11, M12, M13, M14, M15, M16)		
B1370158	PRESSURE SWITCH -0.70" WC (M17, M18, M19, M20, M21, M22, M23, M24)		
B1370179	PRESSURE SWITCH 0.75" WC (M25, M26)		
B1370145	ROLLOUT SWITCH, 300 W/O BRACKET (QTY 2)		
4021300S	SUB-ASSY, HEAT EXCHANGER 2 CELL, 14" (M1, M2, M3, M4)		
4021307S	SUB-ASSY, HEAT EXCHANGER 3 CELL, 14" (M5, M6, M7, M8)		

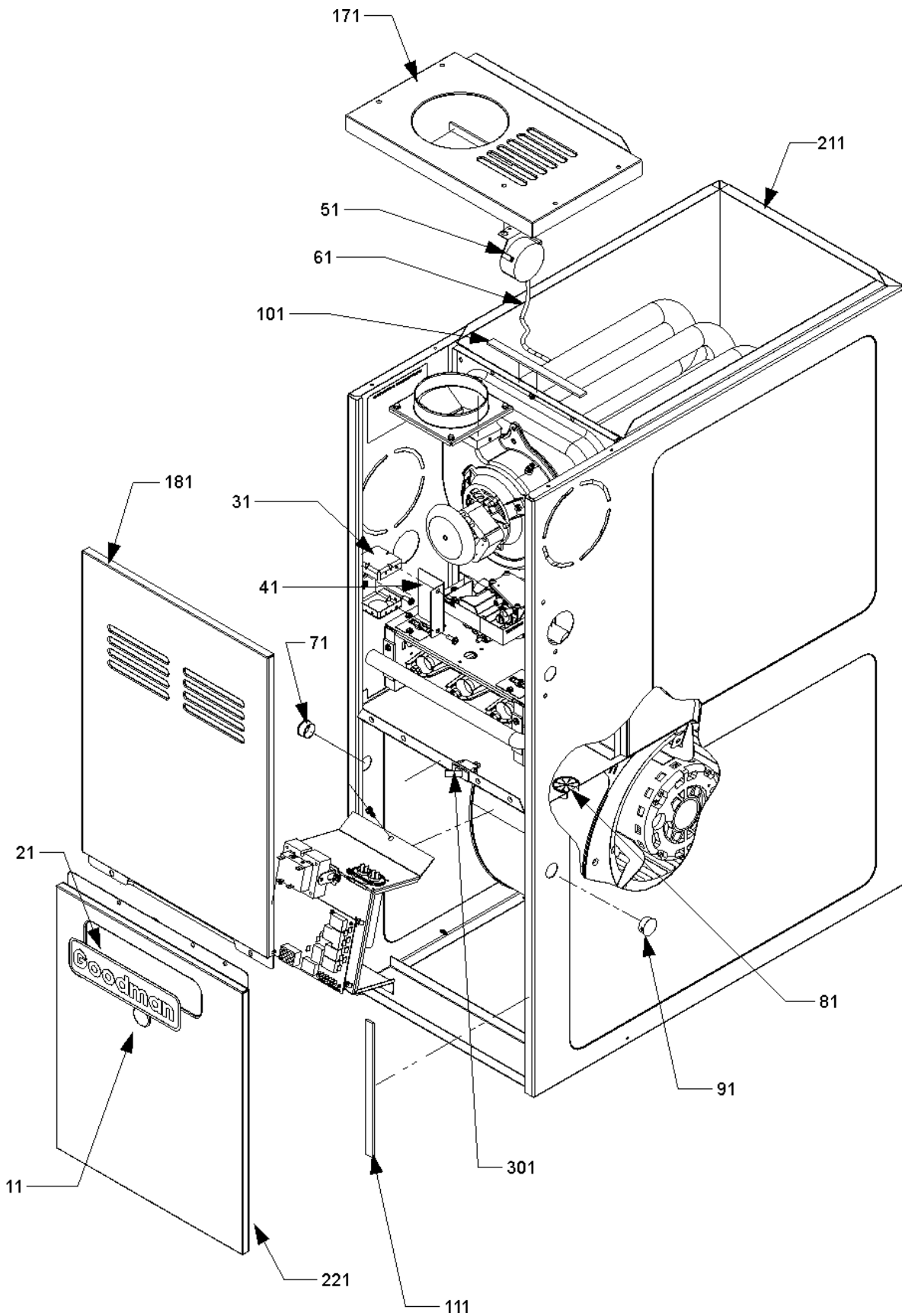
SPECIAL PARTS

HI-115A	HOMEOWNERS INSTRUCTIONS
IO-294A	INSTALLATION INSTRUCTIONS
0161F00000P	NAMEPLATE, GOODMAN
RP-393A	REPAIR PARTS MANUAL

Expanded Model Nomenclature

M1 - GMS80453ANBA
M2 - GMS80453ANBB
M3 - GMS80453AXBA
M4 - GMS80453AXBB
M5 - GMS80703ANBA
M6 - GMS80703ANBB
M7 - GMS80703AXBA
M8 - GMS80703AXBB
M9 - GMS80704BNBA
M10 - GMS80704BNBB
M11 - GMS80704BXBA
M12 - GMS80704BXBB
M13 - GMS80904BNBA
M14 - GMS80904BNBB
M15 - GMS80904BXBA
M16 - GMS80904BXBB
M17 - GMS80905CNBA
M18 - GMS80905CNBB
M19 - GMS80905CXBA
M20 - GMS80905CXBB
M21 - GMS81155CNBA
M22 - GMS81155CNBB
M23 - GMS81155CXBA
M24 - GMS81155CXBB
M25 - GMS81405DNBA
M26 - GMS81405DNBB

Cabinet



Cabinet

Ref. Part			Ref. Part		
No:	No:	Description:	No:	No:	Description:
<i>Image 1:</i>			Expanded Model Nomenclature		
11	B1392139	VIEW PORT BUSHING-BLOWER DOOR	M1	-	GMS80453ANBA
21	0161F00000P	NAMEPLATE, GOODMAN	M2	-	GMS80453ANBB
31	4014502	J-BOX	M3	-	GMS80453AXBA
41	4015502	J-BOX COVER	M4	-	GMS80453AXBB
51	B1370142	PRESSURE SWITCH 0.60" WC (M1, M2, M3, M4, M5, M6, M7, M8, M9, M10, M11, M12, M13, M14, M15, M16)	M5	-	GMS80703ANBA
51	B1370158	PRESSURE SWITCH -0.70" WC (M17, M18, M19, M20, M21, M22, M23, M24)	M6	-	GMS80703ANBB
51	B1370179	PRESSURE SWITCH 0.75" WC (M25, M26)	M7	-	GMS80703AXBA
61	A3468601	PRESSURE SWITCH HOSE	M8	-	GMS80703AXBB
71	B1392104	UNIVERSAL BUSHING UB 875	M9	-	GMS80704BNBA
81	B1392147	UNIVERSAL BUSHING WITH SLICE	M10	-	GMS80704BNBB
91	B1392019	PLASTIC PLUG .875 DIA	M11	-	GMS80704BXBA
101	B13926111	SEAL STRIP, 1/8 X 1/2 X 14 (M1, M2, M3, M4, M5, M6, M7, M8)	M12	-	GMS80704BXBB
111	B13926112	SEAL STRIP, 1/8 X 1/2 X 17.5 (M9, M10, M11, M12, M13, M14, M15, M16)	M13	-	GMS80904BNBA
111	B13926113	SEAL STRIP, 1/8 X 1/2 X 21 (M17, M18, M19, M20, M21, M22, M23, M24)	M14	-	GMS80904BNBB
111	B13926114	SEAL STRIP, 1/8 X 1/2 X 24.5 (M25, M26)	M15	-	GMS80904BXBA
171	0221F00000PDG	TOP, FURNACE 14" (M1, M2, M3, M4, M5, M6, M7, M8)	M16	-	GMS80904BXBB
171	0221F00001PDG	TOP, FURNACE 17.5" (M9, M10, M11, M12, M13, M14, M15, M16)	M17	-	GMS80905CNBA
171	0221F00002PDG	TOP, FURNACE 21" (M17, M18, M19, M20, M21, M22, M23, M24)	M18	-	GMS80905CNBB
171	0221F00003PDG	TOP, FURNACE 24.5" (M25, M26)	M19	-	GMS80905CXBA
181	0221F00004PDG	DOOR, ACCESS 14" (M1, M2, M3, M4, M5, M6, M7, M8)	M20	-	GMS80905CXBB
181	0221F00005PDG	DOOR, ACCESS 17.5" (M9, M10, M11, M12, M13, M14, M15, M16)	M21	-	GMS81155CNBA
181	0221F00006PDG	DOOR, ACCESS 21" (M17, M18, M19, M20, M21, M22, M23, M24)	M22	-	GMS81155CNBB
181	0221F00007PDG	DOOR, ACCESS 24.5" (M25, M26)	M23	-	GMS81155CXBA
211	0270F00162S	INSULATED ASSY, WRAPPER 14" (M1, M2, M3, M4, M5, M6, M7, M8)	M24	-	GMS81155CXBB
211	0270F00163S	INSULATED ASSY, WRAPPER 17.5" (M9, M10, M11, M12, M13, M14, M15, M16)	M25	-	GMS81405DNBA
211	0270F00164S	INSULATED ASSY, WRAPPER 21" (M17, M18, M19, M20, M21, M22, M23, M24)	M26	-	GMS81405DNBB
211	0270F00165S	INSULATED ASSY, WRAPPER 24.5" (M25, M26)			
221	0221F00011PDG	DOOR, BLOWER 14" (M1, M2, M3, M4, M5, M6, M7, M8)			
221	0221F00012PDG	DOOR, BLOWER 17.5" (M9, M10, M11, M12, M13, M14, M15, M16)			
221	0221F00013PDG	DOOR, BLOWER 21" (M17, M18, M19, M20, M21, M22, M23, M24)			
221	0221F00014PDG	DOOR, BLOWER 24.5" (M25, M26)			
301	B1370818	INTERLOCK SWITCH			

Blower Assy/Control Panel

Image 1

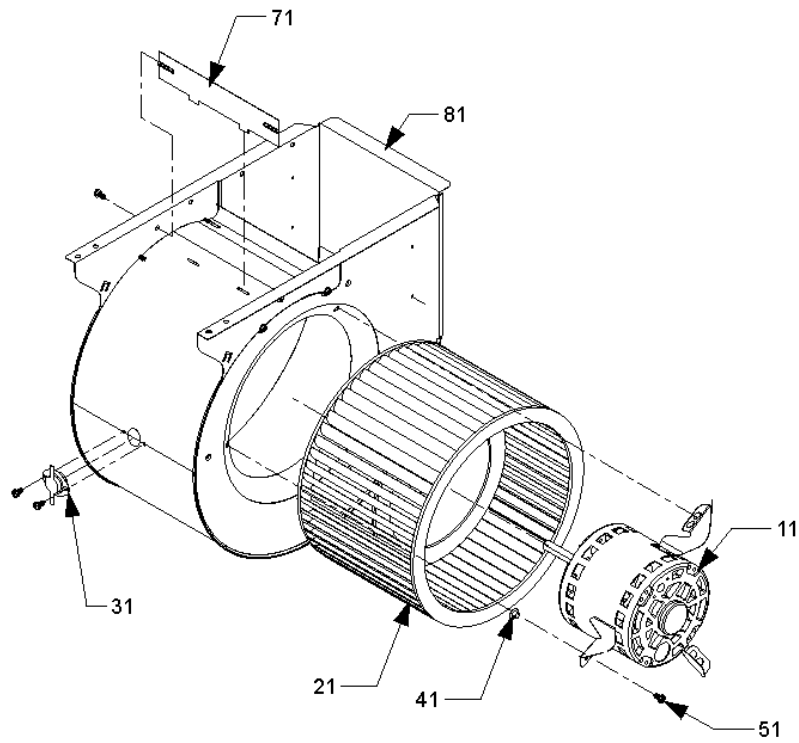
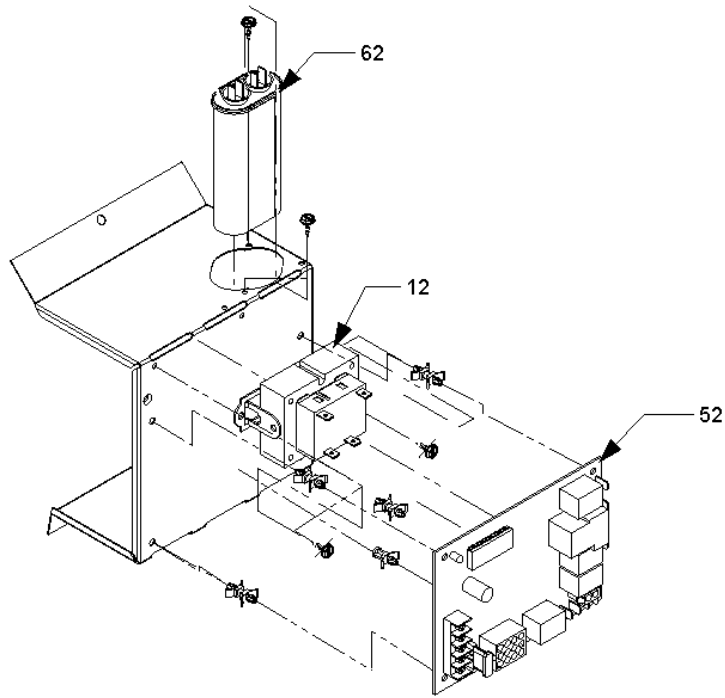


Image 2



Blower Assy/Control Panel

**Ref. Part
No: No:**

Description:

**Ref. Part
No: No:**

Description:

Image 1:

11	20046618S	MOTOR, BLOWER 3/4 HP (M25, M26)
11	B1340024S	MOTOR, DIRECT DRIVE 1/2 HP (M9, M10, M11, M12, M13, M14, M15, M16, M17, M18, M19, M20, M21, M22, M23, M24)
11	B1340025S	MOTOR, DIRECT DRIVE 1/3 HP (M1, M2, M3, M4, M5, M6, M7, M8)
21	B1368047S	BLOWER WHEEL 10 X 10 (M17, M18, M19, M20, M21, M22, M23, M24, M25, M26)
21	B1368034S	BLOWER WHEEL 10 X 6 (M1, M2, M3, M4, M5, M6, M7, M8)
21	B1368016S	BLOWER WHEEL 10 X 8 (M9, M10, M11, M12, M13, M14, M15, M16)
31	B1370155	AUXILIARY LIMIT SWITCH, 120°F
41	B1392143	GROMMET, 26TAL F/TORSIN FLEX (M1, M2, M3, M4, M5, M6, M7, M8, M9, M10, M11, M12, M13, M14, M15, M16, M17, M18, M19, M20, M21, M22, M23, M24)
51	B1393331	MACH. SCREW, 1/4-20 TYPE F SLOTTED (QTY 3)
71	764741	BLOWER BLOCK-OFF 10 X 10 (M17, M18, M19, M20, M21, M22, M23, M24, M25, M26)
71	764739	BLOWER BLOCK-OFF 10 X 6 (M1, M2, M3, M4, M5, M6, M7, M8)
71	764740	BLOWER BLOCK-OFF 10 X 8 (M9, M10, M11, M12, M13, M14, M15, M16)
81	2539307S	ASSY, BLOWER SHELL 10 X 10 (M17, M18, M19, M20, M21, M22, M23, M24, M25, M26)
81	2539305S	ASSY, BLOWER SHELL 10 X 6 (M1, M2, M3, M4, M5, M6, M7, M8)
81	2539306S	ASSY, BLOWER SHELL 10 X 8 (M9, M10, M11, M12, M13, M14, M15, M16)
NS	0259F00006P	ASSY, WIRE HARNESS 12-PIN
NS	0259F00000P	WIRE KIT

Expanded Model Nomenclature

M1 - GMS80453ANBA
M2 - GMS80453ANBB
M3 - GMS80453AXBA
M4 - GMS80453AXBB
M5 - GMS80703ANBA
M6 - GMS80703ANBB
M7 - GMS80703AXBA
M8 - GMS80703AXBB
M9 - GMS80704BNBA
M10 - GMS80704BNBB
M11 - GMS80704BXBA
M12 - GMS80704BXBB
M13 - GMS80904BNBA
M14 - GMS80904BNBB
M15 - GMS80904BXBA
M16 - GMS80904BXBB
M17 - GMS80905CNBA
M18 - GMS80905CNBB
M19 - GMS80905CXBA
M20 - GMS80905CXBB
M21 - GMS81155CNBA
M22 - GMS81155CNBB
M23 - GMS81155CXBA
M24 - GMS81155CXBB
M25 - GMS81405DNBA
M26 - GMS81405DNBB

Image 2:

12	B1141605	TRANSFORMER, 120V TO 24V, 40V
52	0130F00005S	INTEGRATED CONTROL
62	CAP125000370RP	CAPACITOR (M1, M2, M3, M4, M5, M6, M7, M8)
62	CAP200000370RP	CAPACITOR (M9, M10, M11, M12, M13, M14, M15, M16, M17, M18, M19, M20, M21, M22, M23, M24)
62	CAP250000370RP	CAPACITOR (M25, M26)

Heat Exchanger Assy/Flue Collector Box "BA" models

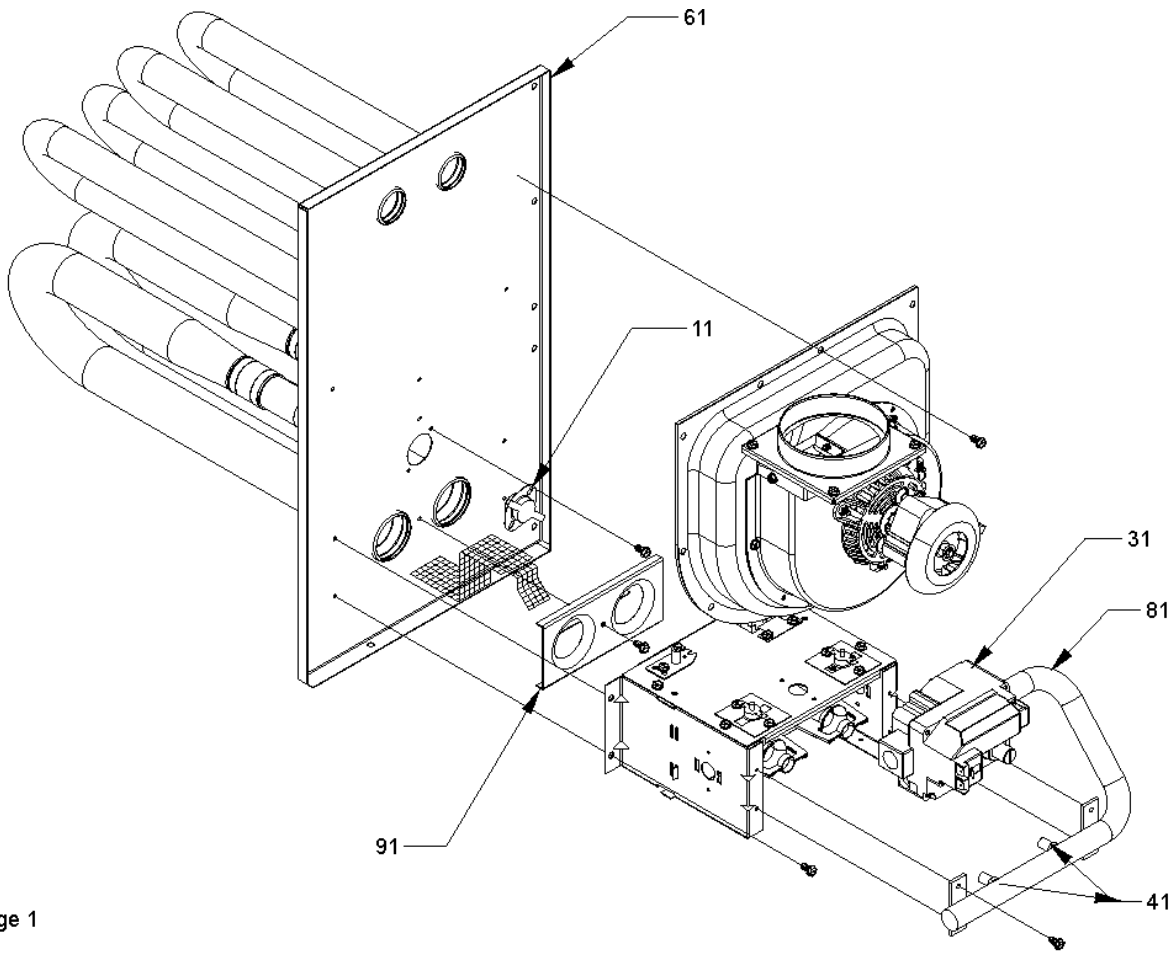
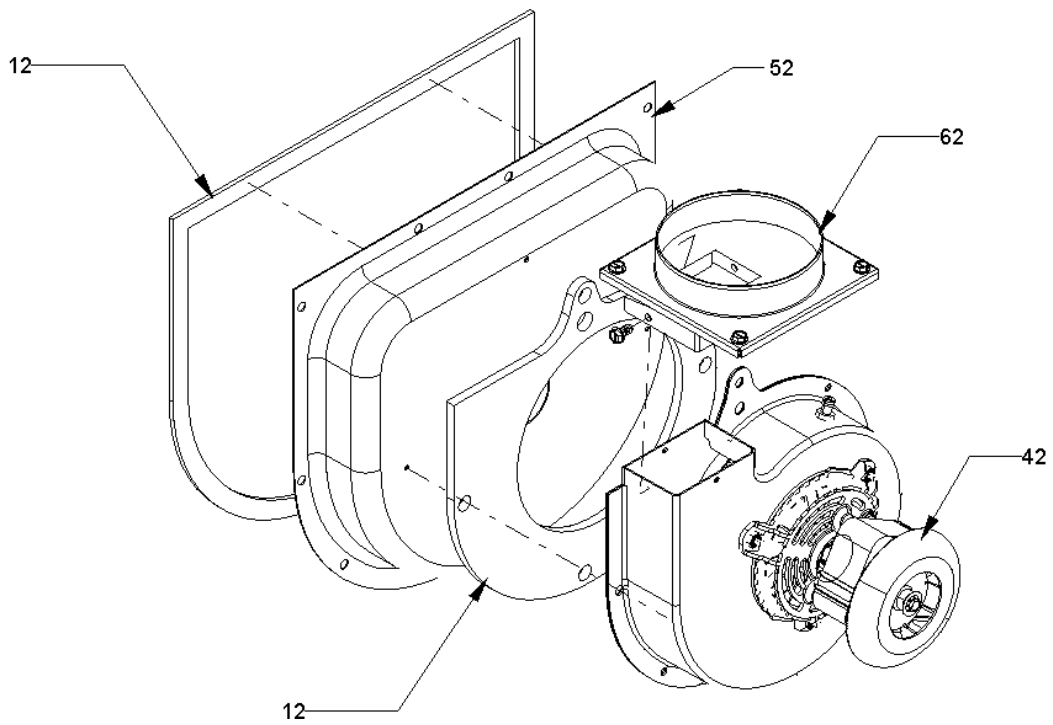


Image 1

Image 2



Heat Exchanger Assy/Flue Collector Box "BA" models

Ref. Part No:	No:	Description:	Ref. Part No:	No:	Description:																										
<i>Image 1:</i>			52	4010017S	FLUE COLLECTOR BOX 21" 2.250 DIA MOD A (M21, M23)																										
11	B1370198	LIMIT SWITCH, PRIMARY 150°F (M21, M23, M25)	52	4010018S	FLUE COLLECTOR BOX 24.5" 3.625 DIA MODA (M25)																										
11	B1370187	LIMIT SWITCH, PRIMARY 160°F (M5, M7, M22)	62	4053501S	CHIMNEY ASSEMBLY (M1, M3, M5, M7, M9, M11, M13, M15, M17, M19, M21, M23, M25)																										
11	B1370188	LIMIT SWITCH, PRIMARY 170°F (M9, M11, M13, M15)	Expanded Model Nomenclature																												
11	B1370189	LIMIT SWITCH, PRIMARY 200°F (M17, M19)	<table border="1"> <tr><td>M1 - GMS80453ANBA</td></tr> <tr><td>M2 - GMS80453ANBB</td></tr> <tr><td>M3 - GMS80453AXBA</td></tr> <tr><td>M4 - GMS80453AXBB</td></tr> <tr><td>M5 - GMS80703ANBA</td></tr> <tr><td>M6 - GMS80703ANBB</td></tr> <tr><td>M7 - GMS80703AXBA</td></tr> <tr><td>M8 - GMS80703AXBB</td></tr> <tr><td>M9 - GMS80704BNBA</td></tr> <tr><td>M10 - GMS80704BNBB</td></tr> <tr><td>M11 - GMS80704BXBA</td></tr> <tr><td>M12 - GMS80704BXBB</td></tr> <tr><td>M13 - GMS80904BNBA</td></tr> <tr><td>M14 - GMS80904BNBB</td></tr> <tr><td>M15 - GMS80904BXBA</td></tr> <tr><td>M16 - GMS80904BXBB</td></tr> <tr><td>M17 - GMS80905CNBA</td></tr> <tr><td>M18 - GMS80905CNBB</td></tr> <tr><td>M19 - GMS80905CXBA</td></tr> <tr><td>M20 - GMS80905CXBB</td></tr> <tr><td>M21 - GMS81155CNBA</td></tr> <tr><td>M22 - GMS81155CNBB</td></tr> <tr><td>M23 - GMS81155CXBA</td></tr> <tr><td>M24 - GMS81155CXBB</td></tr> <tr><td>M25 - GMS81405DNBA</td></tr> <tr><td>M26 - GMS81405DNBB</td></tr> </table>			M1 - GMS80453ANBA	M2 - GMS80453ANBB	M3 - GMS80453AXBA	M4 - GMS80453AXBB	M5 - GMS80703ANBA	M6 - GMS80703ANBB	M7 - GMS80703AXBA	M8 - GMS80703AXBB	M9 - GMS80704BNBA	M10 - GMS80704BNBB	M11 - GMS80704BXBA	M12 - GMS80704BXBB	M13 - GMS80904BNBA	M14 - GMS80904BNBB	M15 - GMS80904BXBA	M16 - GMS80904BXBB	M17 - GMS80905CNBA	M18 - GMS80905CNBB	M19 - GMS80905CXBA	M20 - GMS80905CXBB	M21 - GMS81155CNBA	M22 - GMS81155CNBB	M23 - GMS81155CXBA	M24 - GMS81155CXBB	M25 - GMS81405DNBA	M26 - GMS81405DNBB
M1 - GMS80453ANBA																															
M2 - GMS80453ANBB																															
M3 - GMS80453AXBA																															
M4 - GMS80453AXBB																															
M5 - GMS80703ANBA																															
M6 - GMS80703ANBB																															
M7 - GMS80703AXBA																															
M8 - GMS80703AXBB																															
M9 - GMS80704BNBA																															
M10 - GMS80704BNBB																															
M11 - GMS80704BXBA																															
M12 - GMS80704BXBB																															
M13 - GMS80904BNBA																															
M14 - GMS80904BNBB																															
M15 - GMS80904BXBA																															
M16 - GMS80904BXBB																															
M17 - GMS80905CNBA																															
M18 - GMS80905CNBB																															
M19 - GMS80905CXBA																															
M20 - GMS80905CXBB																															
M21 - GMS81155CNBA																															
M22 - GMS81155CNBB																															
M23 - GMS81155CXBA																															
M24 - GMS81155CXBB																															
M25 - GMS81405DNBA																															
M26 - GMS81405DNBB																															
11	B1370190	LIMIT SWITCH, PRIMARY 210°F (M1, M3)																													
31	B1282628	GAS VALVE (M1, M3, M5, M7, M9, M11, M13, M15, M17, M19, M21, M23, M25)																													
41	B4089343	ORIFICE (M1, M3, M5, M7, M9, M11, M13, M15, M17, M19, M21, M23, M25)																													
61	4021300S	SUB-ASSY, HEAT EXCHANGER 2 CELL, 14" (M1, M3)																													
61	4021307S	SUB-ASSY, HEAT EXCHANGER 3 CELL, 14" (M5, M7)																													
61	4021308S	SUB-ASSY, HEAT EXCHANGER 3 CELL, 17.5" (M9, M11)																													
61	4021309S	SUB-ASSY, HEAT EXCHANGER 4 CELL, 17. (M13, M15)																													
61	4021310S	SUB-ASSY, HEAT EXCHANGER 4 CELL, 21" (M17, M19)																													
61	4021311S	SUB-ASSY, HEAT EXCHANGER 5 CELL, 21" (M21, M23)																													
61	4021312S	SUB-ASSY, HEAT EXCHANGER 6 CELL, 24.5" (M25)																													
81	B4026005	GAS MANIFOLD, 2 CELL (M1, M3)																													
81	B4026006	GAS MANIFOLD, 3 CELL (M5, M7, M9, M11)																													
81	B4026007	GAS MANIFOLD, 4 CELL (M13, M15, M17, M19)																													
81	B4026008	GAS MANIFOLD, 5 CELL (M21, M23)																													
81	B4026009	GAS MANIFOLD, 6 CELL (M25)																													
91	4028000	ORIFICE PLATE 2 CELL (M1, M3)																													
91	4028001	ORIFICE PLATE 3 CELL (M5, M7, M9, M11)																													
91	4028002	ORIFICE PLATE 4 CELL (M13, M15, M17, M19)																													
91	4028003	ORIFICE PLATE 5 CELL (M21, M23)																													
91	4028004	ORIFICE PLATE 6 CELL (M25)																													
<i>Image 2:</i>																															
12	B1392633	GASKET, VENT MOTOR 14" (M1, M3, M5, M7)																													
12	B1392634	GASKET, VENT MOTOR 17.5" (M9, M11, M13, M15)																													
12	B1392635	GASKET, VENT MOTOR 21" (M17, M19, M21, M23)																													
12	B1392636	GASKET, VENT MOTOR 24.5" (M25)																													
42	0131M00002S	VENT MOTOR (M1, M3, M5, M7, M9, M11, M13, M15, M17, M19, M21, M23, M25)																													
52	4010012S	FLUE COLLECTOR BOX 14" 1.500 DIA MOD A (M1, M3)																													
52	4010013S	FLUE COLLECTOR BOX 14" 2.000 DIA MOD A (M5, M7)																													
52	4010014S	FLUE COLLECTOR BOX 17.5" 2.000 MOD A (M9, M11)																													
52	4010015S	FLUE COLLECTOR BOX 17.5" 2.000 MOD A (M13, M15)																													
52	4010016S	FLUE COLLECTOR BOX 21" 2.000 DIA MOD A (M17, M19)																													

Heat Exchanger Assy/Flue Collector Box "BB" models

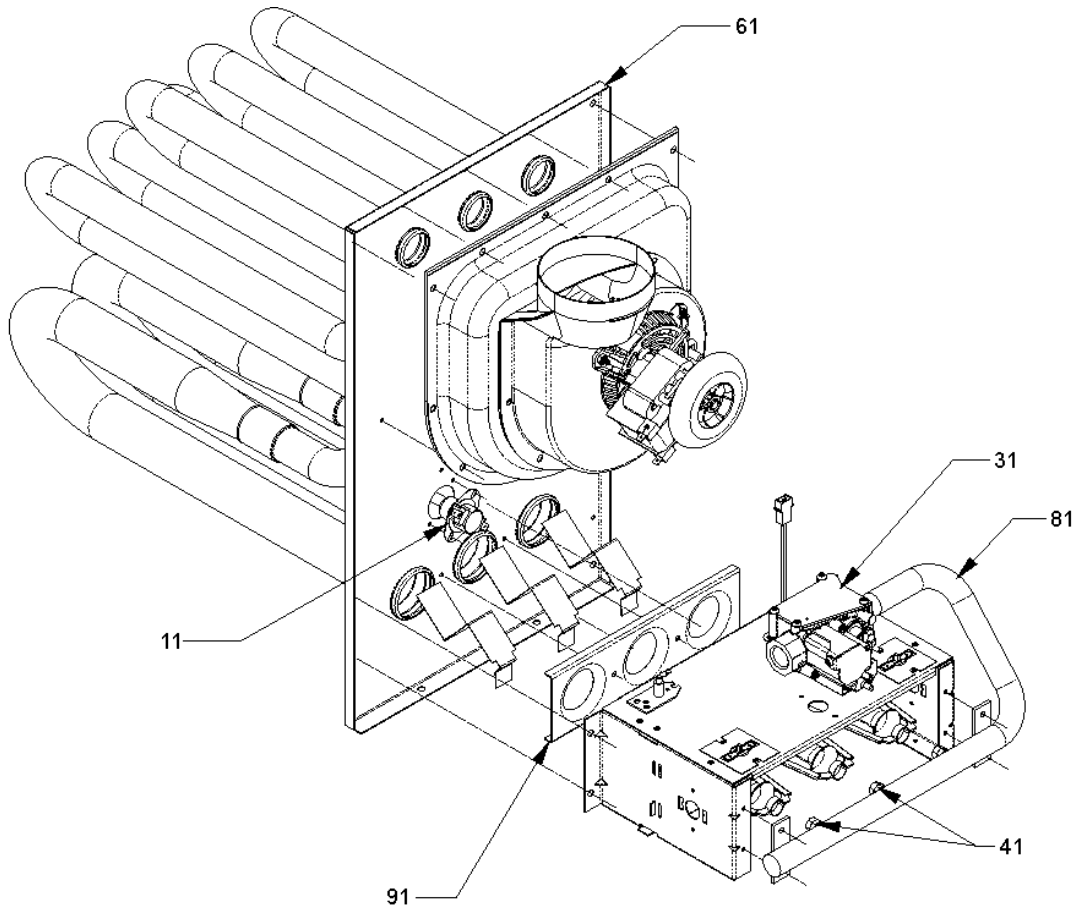
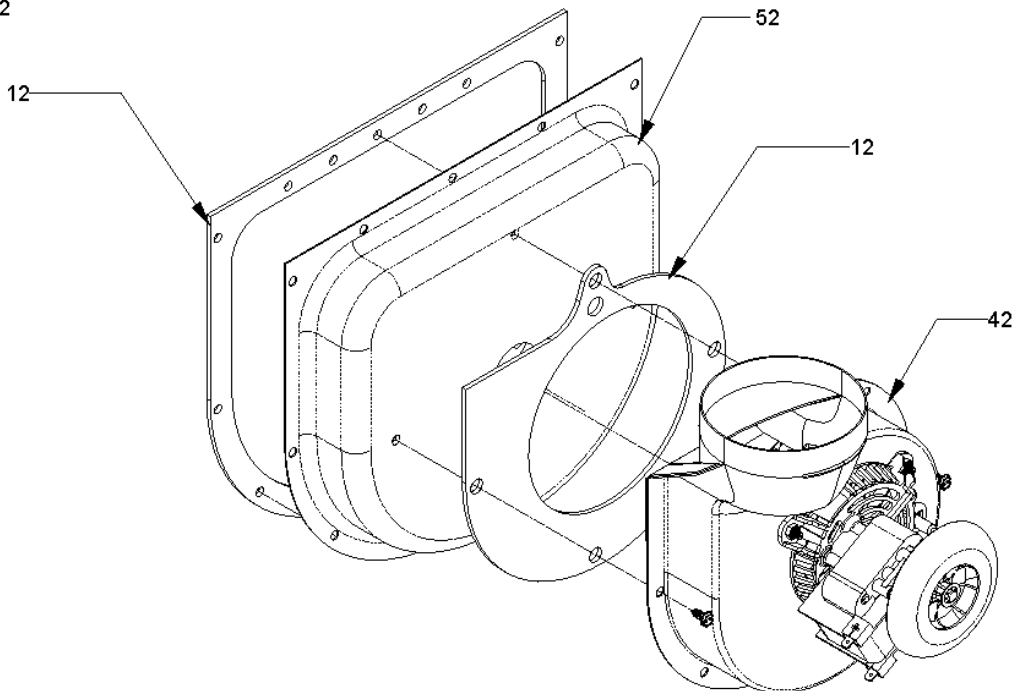


Image 1

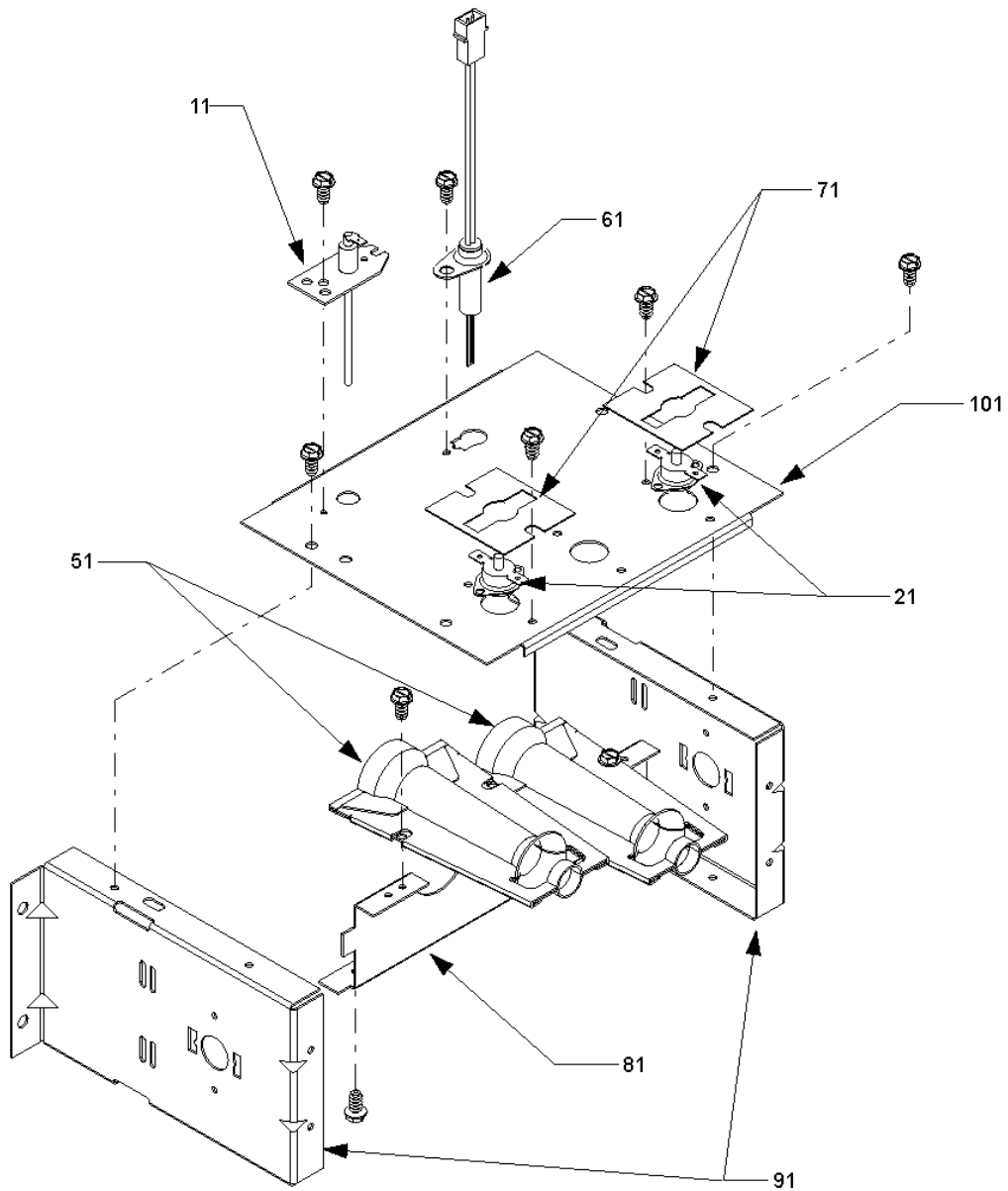
Image 2



Heat Exchanger Assy/Flue Collector Box "BB" models

Ref. Part No:	No:	Description:	Ref. Part No:	No:	Description:			
<i>Image 1:</i>			52	4010017S	FLUE COLLECTOR BOX 21" 2.250 DIA MOD A (M22, M24)			
11	B1370198	LIMIT SWITCH, PRIMARY 150°F (M22, M24, M26)	52	4010018S	FLUE COLLECTOR BOX 24.5" 3.625 DIA MODA (M26)			
11	B1370187	LIMIT SWITCH, PRIMARY 160°F (M6, M8)	62	4053501S	CHIMNEY ASSEMBLY			
11	B1370188	LIMIT SWITCH, PRIMARY 170°F (M10, M12, M14, M16)	Expanded Model Nomenclature					
11	B1370189	LIMIT SWITCH, PRIMARY 200°F (M18, M20)	<div style="border: 1px solid black; padding: 5px;"> M1 - GMS80453ANBA M2 - GMS80453ANBB M3 - GMS80453AXBA M4 - GMS80453AXBB M5 - GMS80703ANBA M6 - GMS80703ANBB M7 - GMS80703AXBA M8 - GMS80703AXBB M9 - GMS80704BNBA M10 - GMS80704BNBB M11 - GMS80704BXBA M12 - GMS80704BXBB M13 - GMS80904BNBA M14 - GMS80904BNBB M15 - GMS80904BXBA M16 - GMS80904BXBB M17 - GMS80905CNBA M18 - GMS80905CNBB M19 - GMS80905CXBA M20 - GMS80905CXBB M21 - GMS81155CNBA M22 - GMS81155CNBB M23 - GMS81155CXBA M24 - GMS81155CXBB M25 - GMS81405DNBA M26 - GMS81405DNBB </div>					
11	B1370190	LIMIT SWITCH, PRIMARY 210°F (M2, M4)						
31	B1282628	GAS VALVE (M2, M4, M6, M8, M10, M12, M14, M16, M18, M20, M22, M24, M26)						
41	B4089343	ORIFICE (M2, M4, M6, M8, M10, M12, M14, M16, M18, M20, M22, M24, M26)						
61	4021300S	SUB-ASSY, HEAT EXCHANGER 2 CELL, 14" (M2, M4)						
61	4021307S	SUB-ASSY, HEAT EXCHANGER 3 CELL, 14" (M6, M8)						
61	4021308S	SUB-ASSY, HEAT EXCHANGER 3 CELL, 17.5 (M10, M12)						
61	4021309S	SUB-ASSY, HEAT EXCHANGER 4 CELL, 17. (M14, M16)						
61	4021310S	SUB-ASSY, HEAT EXCHANGER 4 CELL, 21" (M18, M20)						
61	4021311S	SUB-ASSY, HEAT EXCHANGER 5 CELL, 21" (M22, M24)						
61	4021312S	SUB-ASSY, HEAT EXCHANGER 6 CELL, 24.5" (M26)						
81	B4026005	GAS MANIFOLD, 2 CELL (M2, M4)						
81	B4026006	GAS MANIFOLD, 3 CELL (M6, M8, M10, M12)						
81	B4026007	GAS MANIFOLD, 4 CELL (M14, M16, M18, M20)						
81	B4026008	GAS MANIFOLD, 5 CELL (M22, M24)						
81	B4026009	GAS MANIFOLD, 6 CELL (M26)						
91	4028000	ORIFICE PLATE 2 CELL (M2, M4)						
91	4028001	ORIFICE PLATE 3 CELL (M6, M8, M10, M12)						
91	4028002	ORIFICE PLATE 4 CELL (M14, M16, M18, M20)						
91	4028003	ORIFICE PLATE 5 CELL (M22, M24)						
91	4028004	ORIFICE PLATE 6 CELL (M26)						
<i>Image 2:</i>								
12	B1392633	GASKET, VENT MOTOR 14" (M2, M4, M6, M8)						
12	B1392634	GASKET, VENT MOTOR 17.5" (M10, M12, M14, M16)						
12	B1392635	GASKET, VENT MOTOR 21" (M18, M20, M22, M24)						
12	B1392636	GASKET, VENT MOTOR 24.5" (M26)						
42	0131F00006S	VENT MOTOR, SINGLE STAGE ROUND NOSE (M2, M4, M6, M8, M10, M12, M14, M16, M18, M20, M22, M24, M26)						
52	4010012S	FLUE COLLECTOR BOX 14" 1.500 DIA MOD A (M2, M4)						
52	4010013S	FLUE COLLECTOR BOX 14" 2.000 DIA MOD A (M6, M8)						
52	4010014S	FLUE COLLECTOR BOX 17.5" 2.000 MOD A (M10, M12)						
52	4010015S	FLUE COLLECTOR BOX 17.5" 2.000 MOD A (M14, M16)						
52	4010016S	FLUE COLLECTOR BOX 21" 2.000 DIA MOD A (M18, M20)						

Burner Box



Burner Box

**Ref. Part
No: No:**

Description:

**Ref. Part
No: No:**

Description:

Image 1:

11	0130F00010	FLAME SENSOR
21	B1370145	ROLLOUT SWITCH, 300 W/O BRACKET (QTY 2)
51	B4022700	ASSY, INSHOT BURNER 3" (QTY 2)
61	20165703S	IGNITOR
71	2509503	BRACKET, ROLLOUT SWITCH (QTY 2)
81	2513500	BURNER RACK, 2 CELL (M1, M2, M3, M4)
81	2513501	BURNER RACK, 3 CELL (M5, M6, M7, M8, M9, M10, M11, M12)
81	2513502	BURNER RACK, 4 CELL (M13, M14, M15, M16, M17, M18, M19, M20)
81	2513503	BURNER RACK, 5 CELL (M21, M22, M23, M24)
81	2513504	BURNER RACK, 6 CELL (M25, M26)
91	2514000	SIDE PLATE, BURNER BOX (QTY 2)
101	4013010	TOP, BURNER BOX 2 CELL (M1, M2, M3, M4)
101	4013011	TOP, BURNER BOX 3 CELL (M5, M6, M7, M8, M9, M10, M11, M12)
101	4013012	TOP, BURNER BOX 4 CELL (M13, M14, M15, M16, M17, M18, M19, M20)
101	4013013	TOP, BURNER BOX 5 CELL (M21, M22, M23, M24)
101	4013014	TOP, BURNER BOX 6 CELL (M25, M26)
NS	B4068404	ASSY, WIRE HARNESS, IGNITOR 2-PIN

Expanded Model Nomenclature

M1 - GMS80453ANBA
M2 - GMS80453ANBB
M3 - GMS80453AXBA
M4 - GMS80453AXBB
M5 - GMS80703ANBA
M6 - GMS80703ANBB
M7 - GMS80703AXBA
M8 - GMS80703AXBB
M9 - GMS80704BNBA
M10 - GMS80704BNBB
M11 - GMS80704BXBA
M12 - GMS80704BXBB
M13 - GMS80904BNBA
M14 - GMS80904BNBB
M15 - GMS80904BXBA
M16 - GMS80904BXBB
M17 - GMS80905CNBA
M18 - GMS80905CNBB
M19 - GMS80905CXBA
M20 - GMS80905CXBB
M21 - GMS81155CNBA
M22 - GMS81155CNBB
M23 - GMS81155CXBA
M24 - GMS81155CXBB
M25 - GMS81405DNBA
M26 - GMS81405DNBB