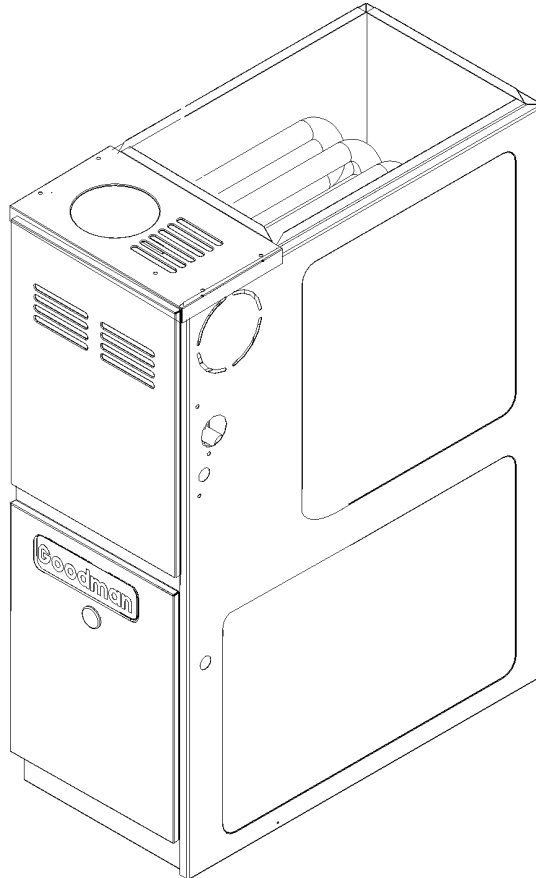




# REPAIR PARTS

## GMS8\*\*BC/BD Single-Stage Multi-Speed Furnace

- GMS80453ANBC
- GMS80453ANBD
- GMS80453AXBC
- GMS80453AXBD
- GMS80703ANBC
- GMS80703ANBD
- GMS80703AXBC
- GMS80703AXBD
- GMS80704BNBC
- GMS80704BNBD
- GMS80704BXBC
- GMS80704BXBD
- GMS80904BNBC
- GMS80904BNBD
- GMS80904BXBC
- GMS80904BXBD
- GMS80905CNBC
- GMS80905CNBD
- GMS80905CXBC
- GMS80905CXBD
- GMS81155CNBC
- GMS81155CNBD
- GMS81155CXBC
- GMS81155CXBD
- GMS81405DNBC
- GMS81405DNBD



Goodman Manufacturing Company, L.P.  
5151 San Felipe, Suite 500  
Houston, TX 77056

[www.goodmanmfg.com](http://www.goodmanmfg.com)

RP-447A  
August 2007

# Important Information

---

## Index

Functional Parts List .....	3 - 4
Illustration and Parts .....	6 - 15

*Views shown are for parts illustrations only, not servicing procedures*

Rev. A: Added "BD"models.

### Text Codes:

AR - As Required

NA - Not Available

NS - Not Shown

00000000 - See Note

QTY - Quantity Example (QTY 3) (If Quantity not shown, Quantity = 1)

M - Model Example (M1) (If M Code not shown, then part is used on all Models)

### Expanded Model Nomenclature:

Example M1 - Model#1 M2 - Model#2 M3 - Model#3
---

Goodman Manufacturing Company, L.P. is not responsible for personal injury or property damage resulting from improper service. Review all service information before beginning repairs.

Warranty service must be performed by an authorized technician, using authorized factory parts. If service is required after the warranty expires, Goodman Manufacturing Company, L.P. also recommends contacting an authorized technician and using authorized factory parts.

Goodman Manufacturing Company, L.P. reserves the right to discontinue, or change at any time, specifications or designs without notice or without incurring obligations.

For assistance within the U.S.A. contact:  
Consumer Affairs Department  
Goodman Manufacturing Company, L.P.  
7401 Security Way  
Houston, Texas 77040  
877-254-4729-Telephone  
713-863-2382-Facsimile

For assistance outside the U.S.A. contact:  
International Division  
Goodman Manufacturing Company, L.P.  
7401 Security Way  
Houston, Texas 77040  
713-861-2500-Telephone  
713-863-2382-Facsimile

# Functional Parts

## Part

## No: Description:

Part No:	Description:	Part No:	Description:
B1370155	AUXILIARY LIMIT SWITCH, 120°F	4021309S	SUB-ASSY, HEAT EXCHANGER 4 CELL, 17.5" (M13, M14, M15, M16)
20046618S	BLOWER MOTOR 3/4 HP (M25, M26)	4021310S	SUB-ASSY, HEAT EXCHANGER 4 CELL, 21.0" (M17, M18, M19, M20)
CAP125000370RPS	CAPACITOR 12.5/370V (M1, M2, M3, M4, M5, M6, M7, M8)	4021311S	SUB-ASSY, HEAT EXCHANGER 5 CELL, 21.0" (M21, M22, M23, M24)
CAP200000370RPS	CAPACITOR 20/370V (M9, M10, M11, M12, M13, M14, M15, M16, M17, M18, M19, M20, M21, M22, M23, M24)	4021312S	SUB-ASSY, HEAT EXCHANGER 6 CELL, 24.0" (M25, M26)
CAP250000370RPS	CAPACITOR 25/370V (M25, M26)	B1141605	TRANSFORMER 120V TO 24V, 40VA
0130F00010	FLAME SENSOR	0131M00002S	VENT MOTOR (M2, M4, M6, M8, M10, M12, M14, M16, M18, M20, M22, M24, M26)
B4026006	GAS MANIFOLD 3 CELL (M5, M6, M7, M8, M9, M10, M11, M12)	0131F00006S	VENT MOTOR, SINGLE STAGE ROUNDNOSE (M1, M3, M5, M7, M9, M11, M13, M15, M17, M19, M21, M23, M25)
B4026007	GAS MANIFOLD 4 CELL (M13, M14, M15, M16, M17, M18, M19, M20)	0259F00006P	WIRE HARNESS ASSY, 12-PIN
B4026008	GAS MANIFOLD 5 CELL (M21, M22, M23, M24)	B4068404	WIRE HARNESS ASSY, IGNITOR 2-PIN
B4026009	GAS MANIFOLD 6 CELL (M25, M26)		
B1282628	GAS VALVE (36G)		
PCBBF112S	IGNITION BOARD, HSI INTEGRATED		
20165703S	IGNITOR		
B4022700	INSHOT BURNER ASSY 3" (QTY 2)		
B1370818	INTERLOCK SWITCH		
B1340024S	MOTOR 1/2 HP, 4 SP, 6 PL (M9, M10, M11, M12, M13, M14, M15, M16, M17, M18, M19, M20, M21, M22, M23, M24)		
B1340025S	MOTOR 1/3 HP, 4 SP, 6 PL (M1, M2, M3, M4, M5, M6, M7, M8)		
10716003	ORIFICE (QTY AR)		
B1370142	PRESSURE SWITCH 0.60" WC (M1, M2, M3, M4, M5, M6, M7, M8, M17, M18, M19, M20, M25, M26)		
B1370179	PRESSURE SWITCH 0.75" WC (M13, M14, M15, M16)		
B1370158	PRESSURE SWITCH -0.70" WC (M21, M22, M23, M24)		
B1370176	PRESSURE SWITCH 47 SP (M9, M10, M11, M12)		
B1370198	PRIMARY LIMIT SWITCH 150°F (M21, M22, M23, M24, M25, M26)		
B1370187	PRIMARY LIMIT SWITCH 160°F (M5, M6, M7, M8)		
B1370188	PRIMARY LIMIT SWITCH 170°F (M9, M10, M11, M12, M13, M15, M16)		
B1370189	PRIMARY LIMIT SWITCH 200°F (M17, M18, M19, M20)		
B1370190	PRIMARY LIMIT SWITCH 210°F (M1, M2, M3, M4)		
B1370145	ROLLOUT SWITCH, 300 W/O BRACKET (QTY 2)		
4021300S	SUB-ASSY, HEAT EXCHANGER 2 CELL, 14.0" (M1, M2, M3, M4)		
4021307S	SUB-ASSY, HEAT EXCHANGER 3 CELL, 14.0" (M5, M6, M7, M8)		
4021308S	SUB-ASSY, HEAT EXCHANGER 3 CELL, 17.5" (M9, M10, M11, M12)		

# Functional Parts

## Part

## No: Description:

---

### SPECIAL PARTS

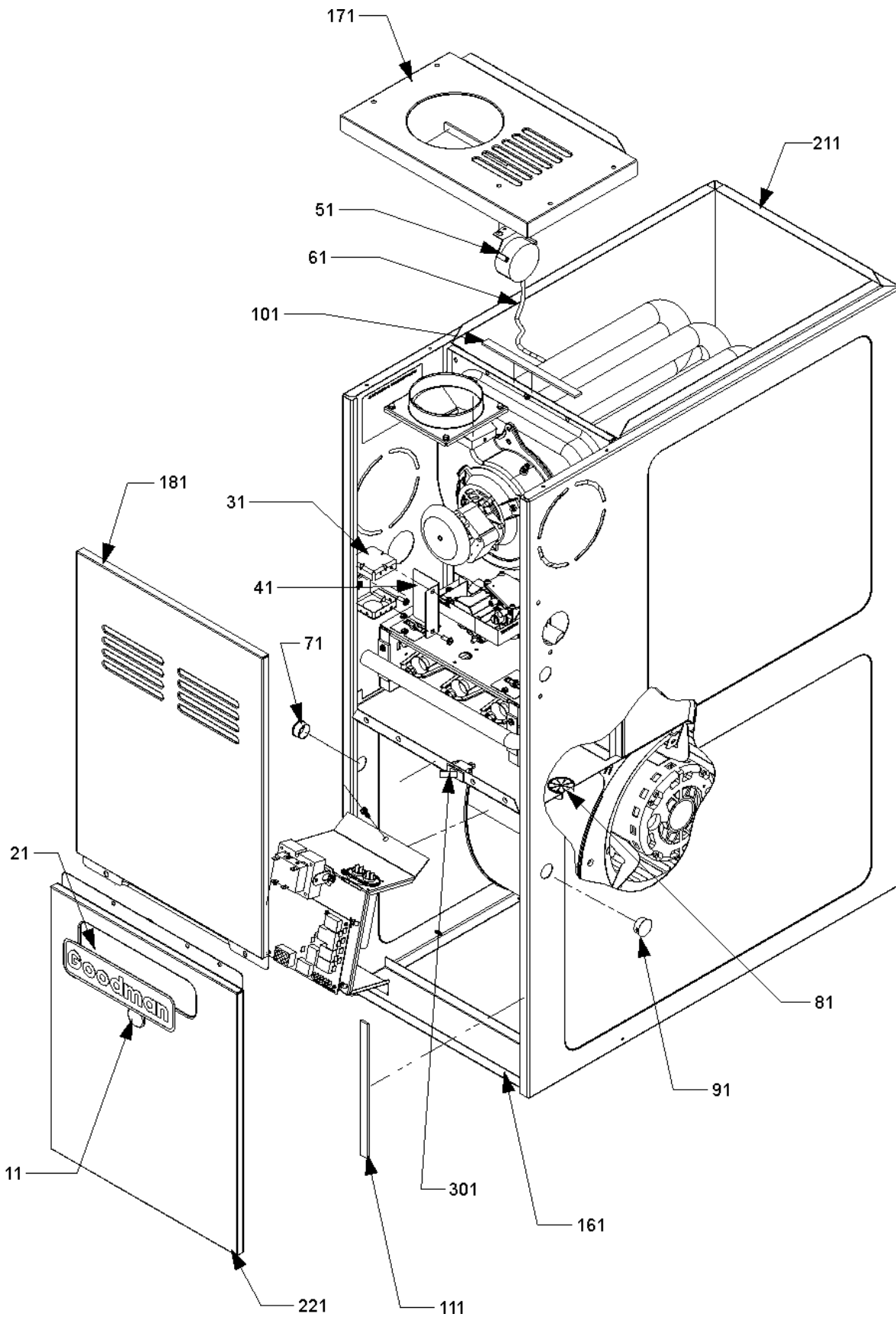
IO-294A	INSTALLATION INSTRUCTIONS
IO-669	INSTALLATION INSTRUCTIONS-HUMIDIFIER
0161F00000P	NAMEPLATE
RP-447A	REPAIR PARTS MANUAL
HI-115A	USERS MANUAL

### Expanded Model Nomenclature

M1 - GMS80453ANBC
M2 - GMS80453ANBD
M3 - GMS80453AXBC
M4 - GMS80453AXBBD
M5 - GMS80703ANBC
M6 - GMS80703ANBD
M7 - GMS80703AXBC
M8 - GMS80703AXBBD
M9 - GMS80704BNBC
M10 - GMS80704BNBD
M11 - GMS80704BXBC
M12 - GMS80704BXBD
M13 - GMS80904BNBC
M14 - GMS80904BNBD
M15 - GMS80904BXBC
M16 - GMS80904BXBD
M17 - GMS80905CNBC
M18 - GMS80905CNBD
M19 - GMS80905CXBC
M20 - GMS80905CXBD
M21 - GMS81155CNBC
M22 - GMS81155CNBD
M23 - GMS81155CXBC
M24 - GMS81155CXBD
M25 - GMS81405DNBC
M26 - GMS81405DNBD

**THIS PAGE INTENTIONALLY LEFT BLANK**

# Cabinet



# Cabinet

Ref Part No:	Description:	Ref. Part No:	Description:
<i>Image 1:</i>		221 0221F00013PDG	BLOWER DOOR 21" (M17, M18, M19, M20, M21, M22, M23, M24)
11 B1392139	VIEW PORT BUSHING	221 0221F00014PDG	BLOWER DOOR 24.5" (M25, M26)
21 0161F00000P	NAMEPLATE	301 B1370818	INTERLOCK SWITCH
31 4014502	J-BOX	Expanded Model Nomenclature	
41 4015502	J-BOX COVER	M1 - GMS80453ANBC	
51 B1370142	PRESSURE SWITCH 0.60" WC (M1, M2, M3, M4, M5, M6, M7, M8, M17, M18, M19, M20, M25, M26)	M2 - GMS80453ANBD	
51 B1370179	PRESSURE SWITCH 0.75" WC (M13, M14, M15, M16)	M3 - GMS80453AXBC	
51 B1370158	PRESSURE SWITCH -0.70" WC (M21, M22, M23, M24)	M4 - GMS80453AXBD	
51 B1370176	PRESSURE SWITCH 47 SP (M9, M10, M11, M12)	M5 - GMS80703ANBC	
61 A3468601	PRESSURE SWITCH HOSE	M6 - GMS80703ANBD	
71 B1392104	UNIVERSAL BUSHING UB 875	M7 - GMS80703AXBC	
81 B1392147	UNIVERSAL BUSHING WITH SLICE	M8 - GMS80703AXBD	
91 B1392019	PLASTIC PLUG, .875 DIA	M9 - GMS80704BNBC	
101 B13926111	SEAL STRIP 1/8 X 1/2 X 14 (M1, M2, M3, M4, M5, M6, M7, M8)	M10 - GMS80704BNBD	
111 B13926112	SEAL STRIP 1/8 X 1/2 X 17.5 (M9, M10, M11, M12, M13, M14, M15, M16)	M11 - GMS80704BXBC	
111 B13926113	SEAL STRIP 1/8 X 1/2 X 21 (M17, M18, M19, M20, M21, M22, M23, M24)	M12 - GMS80704BXBD	
111 B13926114	SEAL STRIP 1/8 X 1/2 X 24.5 (M25, M26)	M13 - GMS80904BNBC	
161 1819000	SOLID BOTTOM 14.0" CASE (M1, M2, M3, M4, M5, M6, M7, M8)	M14 - GMS80904BNBD	
161 1819001	SOLID BOTTOM 17.5" CASE (M9, M10, M11, M12, M13, M14, M15, M16)	M15 - GMS80904BXBC	
161 1819002	SOLID BOTTOM 21.0" CASE (M17, M18, M19, M20, M21, M22, M23, M24)	M16 - GMS80904BXBD	
161 1819003	SOLID BOTTOM 24.5" CASE (M25, M26)	M17 - GMS80905CNBC	
171 0221F00000PDG	TOP 14" (M1, M2, M3, M4, M5, M6, M7, M8)	M18 - GMS80905CNBD	
171 0221F00001PDG	TOP 17.5" (M9, M10, M11, M12, M13, M14, M15, M16)	M19 - GMS80905CXBC	
171 0221F00002PDG	TOP 21" (M17, M18, M19, M20, M21, M22, M23, M24)	M20 - GMS80905CXBD	
171 0221F00003PDG	TOP 24.5" (M25, M26)	M21 - GMS81155CNBC	
181 0221F00004PDG	ACCESS DOOR 14" (M1, M2, M3, M4, M5, M6, M7, M8)	M22 - GMS81155CNBD	
181 0221F00005PDG	ACCESS DOOR 17.5" (M9, M10, M11, M12, M13, M14, M15, M16)	M23 - GMS81155CXBC	
181 0221F00006PDG	ACCESS DOOR 21" (M17, M18, M19, M20, M21, M22, M23, M24)	M24 - GMS81155CXBD	
181 0221F00007PDG	ACCESS DOOR 24.5" (M25, M26)	M25 - GMS81405DNBC	
211 0270F00610	INSULATED ASSY, WRAPPER 14" (M1, M2, M3, M4, M5, M6, M7, M8)	M26 - GMS81405DNBD	
211 0270F00615	INSULATED ASSY, WRAPPER 17.5" (M9, M10, M11, M12, M13, M14, M15, M16)		
211 0270F00620	INSULATED ASSY, WRAPPER 21" (M17, M18, M19, M20, M21, M22, M23, M24)		
211 0270F00625	INSULATED ASSY, WRAPPER 24.5" (M25, M26)		
221 0221F00011PDG	BLOWER DOOR 14" (M1, M2, M3, M4, M5, M6, M7, M8)		
221 0221F00012PDG	BLOWER DOOR 17.5" (M9, M10, M11, M12, M13, M14, M15, M16)		

# Blower Assy/Control Panel

Image 1

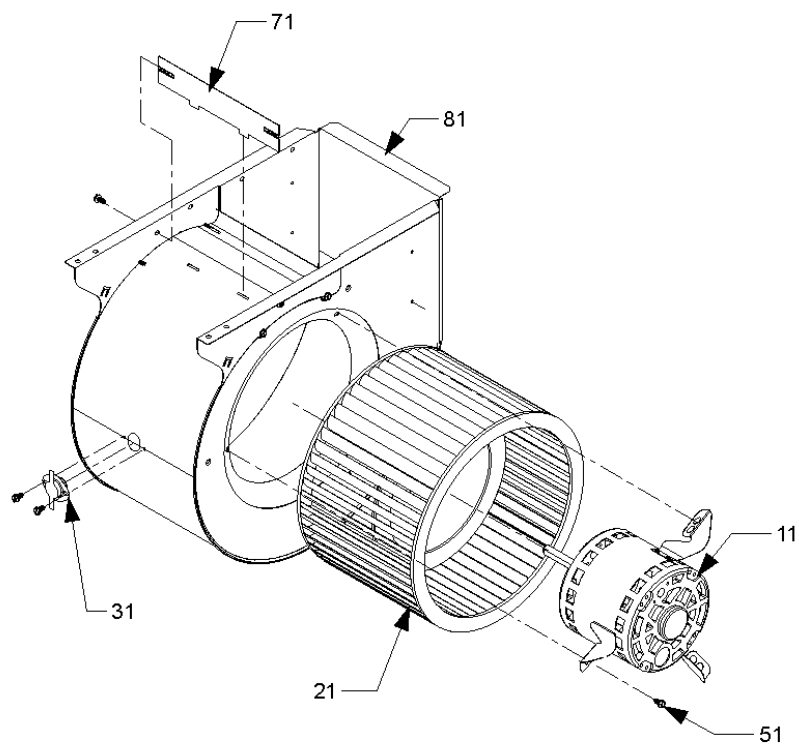
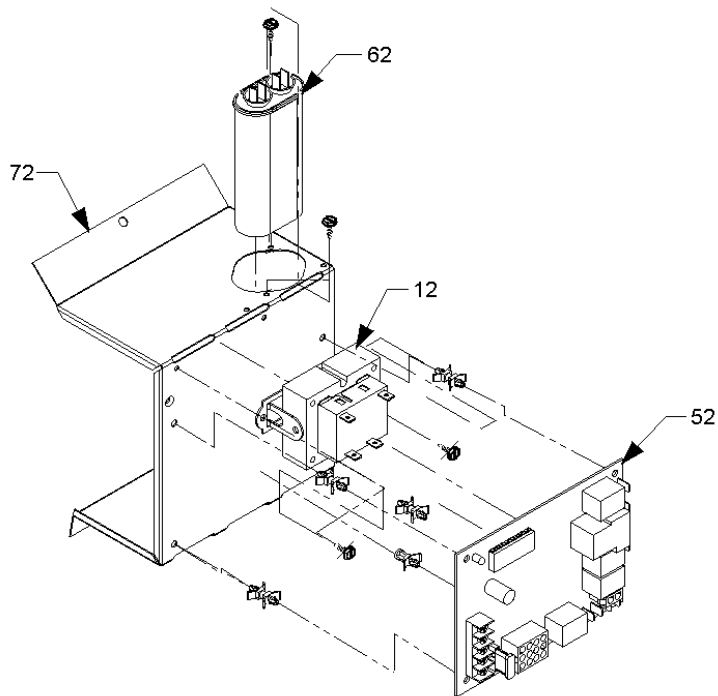


Image 2



# Blower Assy/Control Panel

Ref Part No:	Description:	Ref. Part No:	Description:
<i>Image 1:</i>		Expanded Model Nomenclature	
11	20046618S BLOWER MOTOR 3/4 HP (M25, M26)	M1 - GMS80453ANBC	
11	B1340024S MOTOR 1/2 HP, 4 SP, 6 PL (M9, M10, M11, M12, M13, M14, M15, M16, M17, M18, M19, M20, M21, M22, M23, M24)	M2 - GMS80453ANBD	
11	B1340025S MOTOR 1/3 HP, 4 SP, 6 PL (M1, M2, M3, M4, M5, M6, M7, M8)	M3 - GMS80453AXBC	
21	B1368047S BLOWER WHEEL 10 X 10 (M17, M18, M19, M20, M21, M22, M23, M24, M25, M26)	M4 - GMS80453AXBD	
21	B1368034S BLOWER WHEEL 10 X 6 (M1, M2, M3, M4, M5, M6, M7, M8)	M5 - GMS80703ANBC	
21	B1368016S BLOWER WHEEL 10 X 8 (M9, M10, M11, M12, M13, M14, M15, M16)	M6 - GMS80703ANBD	
31	B1370155 AUXILIARY LIMIT SWITCH, 120°F	M7 - GMS80703AXBC	
51	B1393331 MACHINE SCREW, 1/4-20 TYPE F SLOTTED (QTY 3)	M8 - GMS80703AXBD	
71	764741F BLOWER BLOCK-OFF 10 X 10 (M17, M18, M19, M20, M21, M22, M23, M24, M25, M26)	M9 - GMS80704BNBC	
71	764739 BLOWER BLOCK-OFF 10 X 6 (M1, M2, M3, M4, M5, M6, M7, M8)	M10 - GMS80704BNBD	
71	764740F BLOWER BLOCK-OFF 10 X 8 (M9, M10, M11, M12, M13, M14, M15, M16)	M11 - GMS80704BXBC	
81	2539307S BLOWER SHELL ASSY 10 X 10 (M17, M18, M19, M20, M21, M22, M23, M24, M25, M26)	M12 - GMS80704BXBD	
81	2539305S BLOWER SHELL ASSY 10 X 6 (M1, M2, M3, M4, M5, M6, M7, M8)	M13 - GMS80904BNBC	
81	2539306S BLOWER SHELL ASSY 10 X 8 (M9, M10, M11, M12, M13, M14, M15, M16)	M14 - GMS80904BNBD	
NS	0259F00006P WIRE HARNESS ASSY, 12-PIN	M15 - GMS80904BXBC	
<i>Image 2:</i>		M16 - GMS80904BXBD	
12	B1141605 TRANSFORMER 120V TO 24V, 40VA	M17 - GMS80905CNBC	
52	PCBBF112S IGNITION BOARD, HSI INTEGRATED	M18 - GMS80905CNBD	
62	CAP125000370RPSCAPACITOR 12.5/370V (M1, M2, M3, M4, M5, M6, M7, M8)	M19 - GMS80905CXBC	
62	CAP200000370RPSCAPACITOR 20/370V (M9, M10, M11, M12, M13, M14, M15, M16, M17, M18, M19, M20, M21, M22, M23, M24)	M20 - GMS80905CXBD	
62	CAP250000370RPSCAPACITOR 25/370V (M25, M26)	M21 - GMS81155CNBC	
72	1815817 CONTROL MOUNTING PANEL	M22 - GMS81155CNBD	
		M23 - GMS81155CXBC	
		M24 - GMS81155CXBD	
		M25 - GMS81405DNBC	
		M26 - GMS81405DNBD	

# Heat Exchanger Assy/Flue Collector Box "BC" models

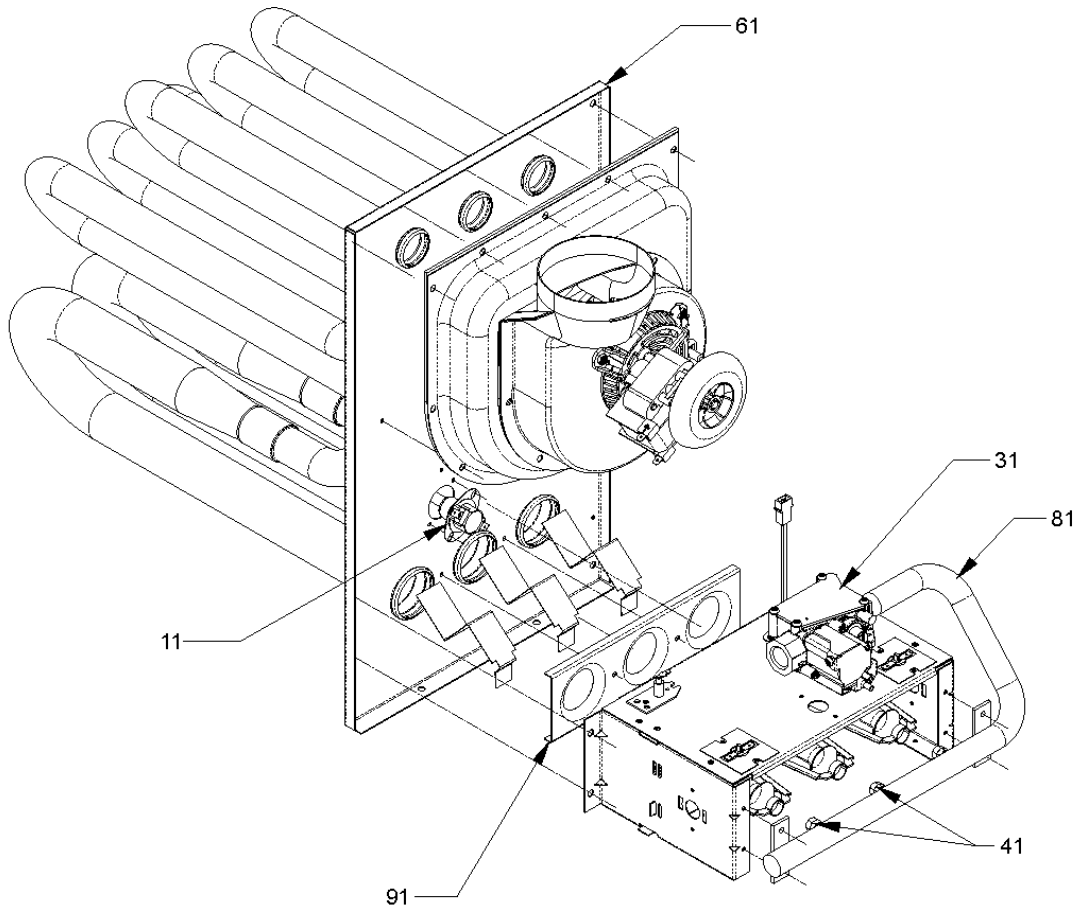
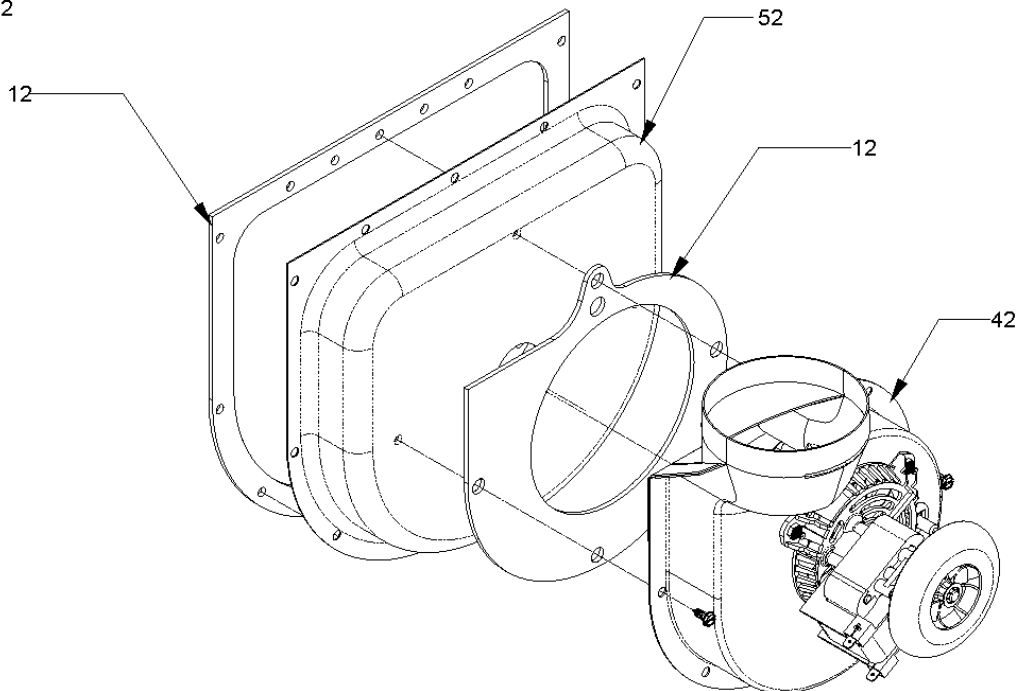


Image 1

Image 2



# Heat Exchanger Assy/Flue Collector Box "BC" models

Ref Part No:	Description:	Ref. Part No:	Description:																										
<i>Image 1:</i>		52	4010017S FLUE COLLECTOR BOX 21.0", 2.250 MOD A (M21, M23)																										
11	B1370198 PRIMARY LIMIT SWITCH 150°F (M21, M23, M25)	52	4010018S FLUE COLLECTOR BOX 24.5", 3.625 MOD A (M25)																										
11	B1370187 PRIMARY LIMIT SWITCH 160°F (M5, M7)	<b>Expanded Model Nomenclature</b>																											
11	B1370188 PRIMARY LIMIT SWITCH 170°F (M9, M11, M13, M15)	<table border="1"> <tr><td>M1 - GMS80453ANBC</td></tr> <tr><td>M2 - GMS80453ANBD</td></tr> <tr><td>M3 - GMS80453AXBC</td></tr> <tr><td>M4 - GMS80453AXBD</td></tr> <tr><td>M5 - GMS80703ANBC</td></tr> <tr><td>M6 - GMS80703ANBD</td></tr> <tr><td>M7 - GMS80703AXBC</td></tr> <tr><td>M8 - GMS80703AXBD</td></tr> <tr><td>M9 - GMS80704BNBC</td></tr> <tr><td>M10 - GMS80704BNBD</td></tr> <tr><td>M11 - GMS80704BXBC</td></tr> <tr><td>M12 - GMS80704BXBD</td></tr> <tr><td>M13 - GMS80904BNBC</td></tr> <tr><td>M14 - GMS80904BNBD</td></tr> <tr><td>M15 - GMS80904BXBC</td></tr> <tr><td>M16 - GMS80904BXBD</td></tr> <tr><td>M17 - GMS80905CNBC</td></tr> <tr><td>M18 - GMS80905CNBD</td></tr> <tr><td>M19 - GMS80905CXBC</td></tr> <tr><td>M20 - GMS80905CXBD</td></tr> <tr><td>M21 - GMS81155CNBC</td></tr> <tr><td>M22 - GMS81155CNBD</td></tr> <tr><td>M23 - GMS81155CXBC</td></tr> <tr><td>M24 - GMS81155CXBD</td></tr> <tr><td>M25 - GMS81405DNBC</td></tr> <tr><td>M26 - GMS81405DNBD</td></tr> </table>		M1 - GMS80453ANBC	M2 - GMS80453ANBD	M3 - GMS80453AXBC	M4 - GMS80453AXBD	M5 - GMS80703ANBC	M6 - GMS80703ANBD	M7 - GMS80703AXBC	M8 - GMS80703AXBD	M9 - GMS80704BNBC	M10 - GMS80704BNBD	M11 - GMS80704BXBC	M12 - GMS80704BXBD	M13 - GMS80904BNBC	M14 - GMS80904BNBD	M15 - GMS80904BXBC	M16 - GMS80904BXBD	M17 - GMS80905CNBC	M18 - GMS80905CNBD	M19 - GMS80905CXBC	M20 - GMS80905CXBD	M21 - GMS81155CNBC	M22 - GMS81155CNBD	M23 - GMS81155CXBC	M24 - GMS81155CXBD	M25 - GMS81405DNBC	M26 - GMS81405DNBD
M1 - GMS80453ANBC																													
M2 - GMS80453ANBD																													
M3 - GMS80453AXBC																													
M4 - GMS80453AXBD																													
M5 - GMS80703ANBC																													
M6 - GMS80703ANBD																													
M7 - GMS80703AXBC																													
M8 - GMS80703AXBD																													
M9 - GMS80704BNBC																													
M10 - GMS80704BNBD																													
M11 - GMS80704BXBC																													
M12 - GMS80704BXBD																													
M13 - GMS80904BNBC																													
M14 - GMS80904BNBD																													
M15 - GMS80904BXBC																													
M16 - GMS80904BXBD																													
M17 - GMS80905CNBC																													
M18 - GMS80905CNBD																													
M19 - GMS80905CXBC																													
M20 - GMS80905CXBD																													
M21 - GMS81155CNBC																													
M22 - GMS81155CNBD																													
M23 - GMS81155CXBC																													
M24 - GMS81155CXBD																													
M25 - GMS81405DNBC																													
M26 - GMS81405DNBD																													
11	B1370189 PRIMARY LIMIT SWITCH 200°F (M17, M19)																												
11	B1370190 PRIMARY LIMIT SWITCH 210°F (M1, M3)																												
31	B1282628 GAS VALVE (36G) (M1, M3, M5, M7, M9, M11, M13, M15, M17, M19, M21, M23, M25)																												
41	10716003 ORIFICE (M1, M3, M5, M7, M9, M11, M13, M15, M17, M19, M21, M23, M25)																												
61	4021300S SUB-ASSY, HEAT EXCHANGER 2 CELL, 14.0" (M1, M3)																												
61	4021307S SUB-ASSY, HEAT EXCHANGER 3 CELL, 14.0" (M5, M7)																												
61	4021308S SUB-ASSY, HEAT EXCHANGER 3 CELL, 17.5" (M9, M11)																												
61	4021309S SUB-ASSY, HEAT EXCHANGER 4 CELL, 17.5" (M13, M15)																												
61	4021310S SUB-ASSY, HEAT EXCHANGER 4 CELL, 21.0" (M17, M19)																												
61	4021311S SUB-ASSY, HEAT EXCHANGER 5 CELL, 21.0" (M21, M23)																												
61	4021312S SUB-ASSY, HEAT EXCHANGER 6 CELL, 24.0" (M25)																												
81	B4026005 GAS MANIFOLD 2 CELL (M1, M3)																												
81	B4026006 GAS MANIFOLD 3 CELL (M5, M7, M9, M11)																												
81	B4026007 GAS MANIFOLD 4 CELL (M13, M15, M17, M19)																												
81	B4026008 GAS MANIFOLD 5 CELL (M21, M23)																												
81	B4026009 GAS MANIFOLD 6 CELL (M25)																												
91	4028000 ORIFICE PLATE 2 CELL (M1, M3)																												
91	4028001 ORIFICE PLATE 3 CELL (M5, M7, M9, M11)																												
91	4028002 ORIFICE PLATE 4 CELL (M13, M15, M17, M19)																												
91	4028003 ORIFICE PLATE 5 CELL (M21, M23)																												
91	4028004 ORIFICE PLATE 6 CELL (M25)																												
<i>Image 2:</i>																													
12	B1392633 VENT MOTOR GASKET 14" (M1, M3, M5, M7)																												
12	B1392634 VENT MOTOR GASKET 17.5" (M9, M11, M13, M15)																												
12	B1392635 VENT MOTOR GASKET 21" (M17, M19, M21, M23)																												
12	B1392636 VENT MOTOR GASKET 24.5" (M25)																												
42	0131F00006S VENT MOTOR, SINGLE STAGE ROUNDNOSE (M1, M3, M5, M7, M9, M11, M13, M15, M17, M19, M21, M23, M25)																												
52	4010012S FLUE COLLECTOR BOX 14.0", 1.500 MOD A (M1, M3)																												
52	4010013S FLUE COLLECTOR BOX 14.0", 2.000 MOD A (M5, M7)																												
52	4010014S FLUE COLLECTOR BOX 17.5", 2.000 MOD A (M9, M11)																												
52	4010015S FLUE COLLECTOR BOX 17.5", 2.000 MOD A (M13, M15)																												
52	4010016S FLUE COLLECTOR BOX 21.0", 2.000 MOD A (M17, M19)																												

# Heat Exchanger Assy/Flue Collector Box "BD" models

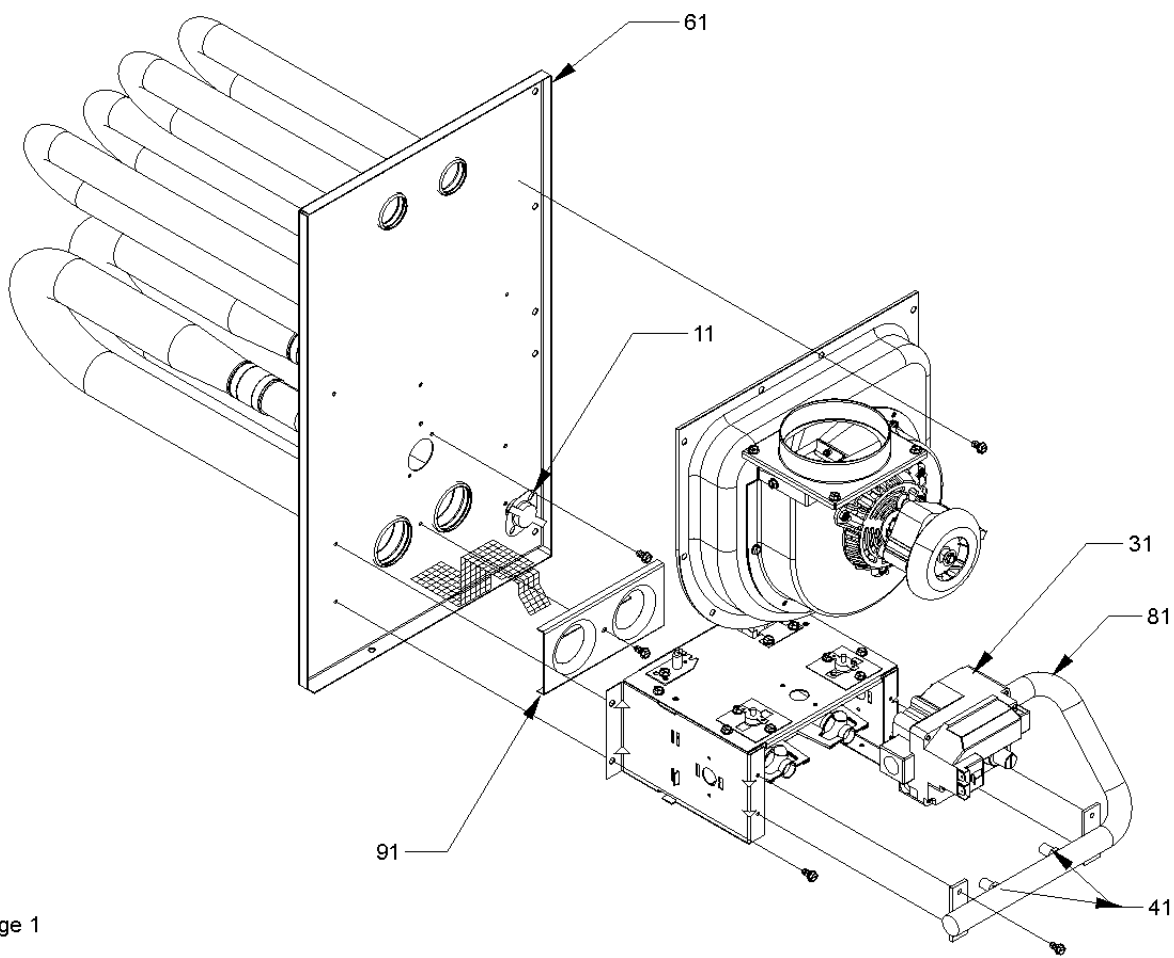
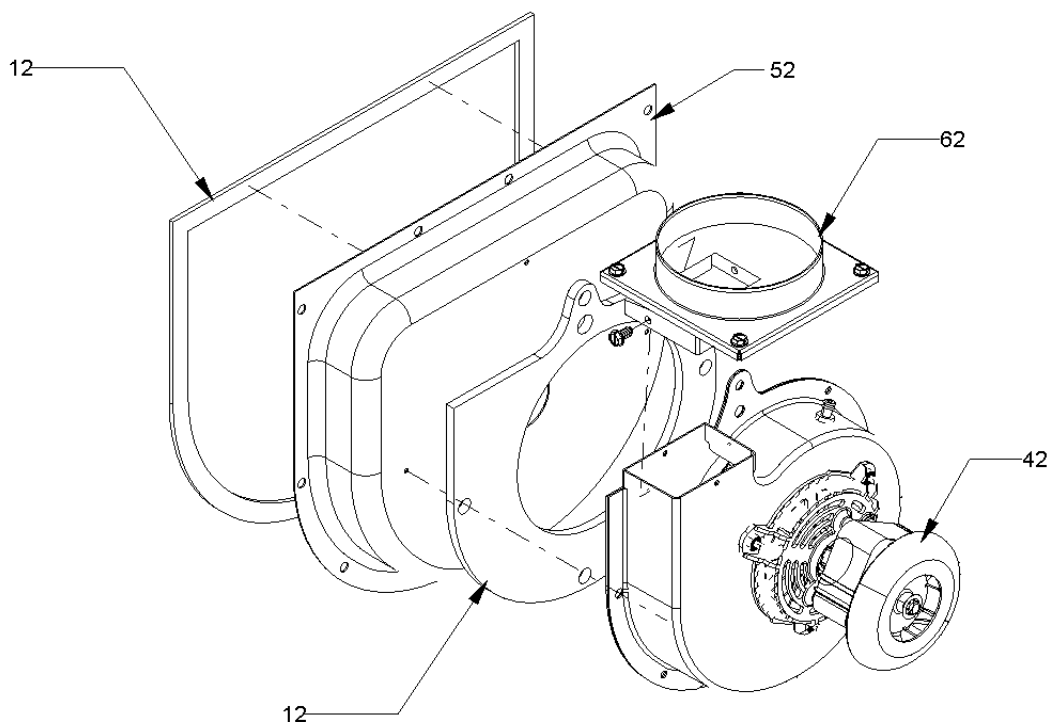


Image 1

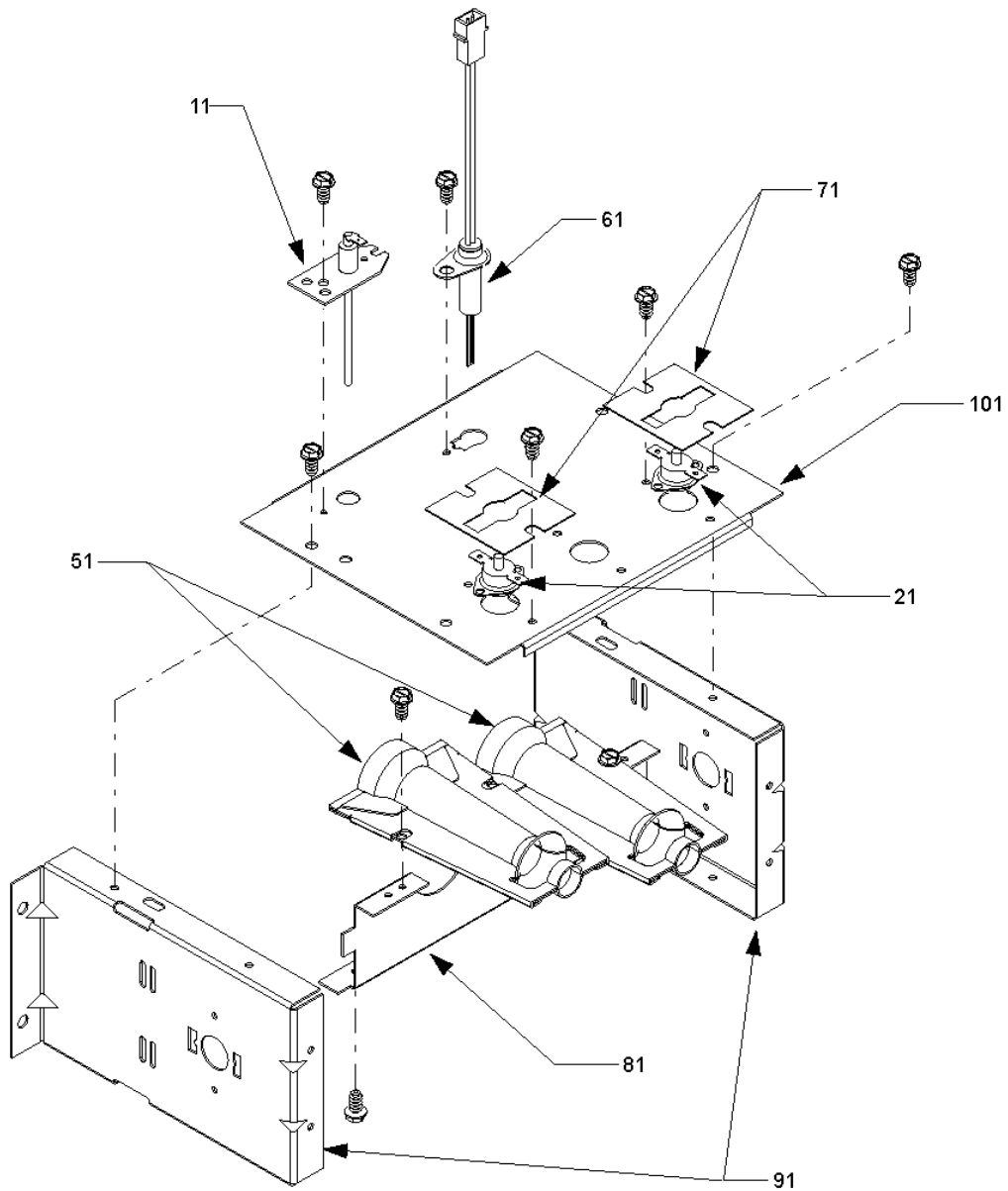
Image 2



# Heat Exchanger Assy/Flue Collector Box "BD" models

Ref Part No:	Description:	Ref. Part No:	Description:																										
<i>Image 1:</i>		52	4010017S FLUE COLLECTOR BOX 21.0", 2.250 MOD A (M22, M24)																										
11	B1370198 PRIMARY LIMIT SWITCH 150°F (M14, M22, M24, M26)	52	4010018S FLUE COLLECTOR BOX 24.5", 3.625 MOD A (M26)																										
11	B1370187 PRIMARY LIMIT SWITCH 160°F (M6, M8)	62	4053501S CHIMNEY ASSEMBLY (M2, M4, M6, M8, M10, M12, M14, M16, M18, M20, M22, M24, M26)																										
11	B1370188 PRIMARY LIMIT SWITCH 170°F (M10, M12, M16)	<b>Expanded Model Nomenclature</b>																											
11	B1370189 PRIMARY LIMIT SWITCH 200°F (M18, M19, M20)	<table border="1"> <tr><td>M1 - GMS80453ANBC</td></tr> <tr><td>M2 - GMS80453ANBD</td></tr> <tr><td>M3 - GMS80453AXBC</td></tr> <tr><td>M4 - GMS80453AXBD</td></tr> <tr><td>M5 - GMS80703ANBC</td></tr> <tr><td>M6 - GMS80703ANBD</td></tr> <tr><td>M7 - GMS80703AXBC</td></tr> <tr><td>M8 - GMS80703AXBD</td></tr> <tr><td>M9 - GMS80704BNBC</td></tr> <tr><td>M10 - GMS80704BNBD</td></tr> <tr><td>M11 - GMS80704BXBC</td></tr> <tr><td>M12 - GMS80704BXBD</td></tr> <tr><td>M13 - GMS80904BNBC</td></tr> <tr><td>M14 - GMS80904BNBD</td></tr> <tr><td>M15 - GMS80904BXBC</td></tr> <tr><td>M16 - GMS80904BXBD</td></tr> <tr><td>M17 - GMS80905CNBC</td></tr> <tr><td>M18 - GMS80905CNBD</td></tr> <tr><td>M19 - GMS80905CXBC</td></tr> <tr><td>M20 - GMS80905CXBD</td></tr> <tr><td>M21 - GMS81155CNBC</td></tr> <tr><td>M22 - GMS81155CNBD</td></tr> <tr><td>M23 - GMS81155CXBC</td></tr> <tr><td>M24 - GMS81155CXBD</td></tr> <tr><td>M25 - GMS81405DNBC</td></tr> <tr><td>M26 - GMS81405DNBD</td></tr> </table>		M1 - GMS80453ANBC	M2 - GMS80453ANBD	M3 - GMS80453AXBC	M4 - GMS80453AXBD	M5 - GMS80703ANBC	M6 - GMS80703ANBD	M7 - GMS80703AXBC	M8 - GMS80703AXBD	M9 - GMS80704BNBC	M10 - GMS80704BNBD	M11 - GMS80704BXBC	M12 - GMS80704BXBD	M13 - GMS80904BNBC	M14 - GMS80904BNBD	M15 - GMS80904BXBC	M16 - GMS80904BXBD	M17 - GMS80905CNBC	M18 - GMS80905CNBD	M19 - GMS80905CXBC	M20 - GMS80905CXBD	M21 - GMS81155CNBC	M22 - GMS81155CNBD	M23 - GMS81155CXBC	M24 - GMS81155CXBD	M25 - GMS81405DNBC	M26 - GMS81405DNBD
M1 - GMS80453ANBC																													
M2 - GMS80453ANBD																													
M3 - GMS80453AXBC																													
M4 - GMS80453AXBD																													
M5 - GMS80703ANBC																													
M6 - GMS80703ANBD																													
M7 - GMS80703AXBC																													
M8 - GMS80703AXBD																													
M9 - GMS80704BNBC																													
M10 - GMS80704BNBD																													
M11 - GMS80704BXBC																													
M12 - GMS80704BXBD																													
M13 - GMS80904BNBC																													
M14 - GMS80904BNBD																													
M15 - GMS80904BXBC																													
M16 - GMS80904BXBD																													
M17 - GMS80905CNBC																													
M18 - GMS80905CNBD																													
M19 - GMS80905CXBC																													
M20 - GMS80905CXBD																													
M21 - GMS81155CNBC																													
M22 - GMS81155CNBD																													
M23 - GMS81155CXBC																													
M24 - GMS81155CXBD																													
M25 - GMS81405DNBC																													
M26 - GMS81405DNBD																													
11	B1370190 PRIMARY LIMIT SWITCH 210°F (M2, M4)																												
31	B1282628 GAS VALVE (36G) (M2, M4, M6, M8, M10, M12, M14, M16, M18, M20, M22, M24, M26)																												
41	10716003 ORIFICE (M2, M4, M6, M8, M10, M12, M14, M16, M18, M20, M22, M24, M26)																												
61	4021300S SUB-ASSY, HEAT EXCHANGER 2 CELL, 14.0" (M2, M4)																												
61	4021307S SUB-ASSY, HEAT EXCHANGER 3 CELL, 14.0" (M6, M8)																												
61	4021308S SUB-ASSY, HEAT EXCHANGER 3 CELL, 17.5" (M10, M12)																												
61	4021309S SUB-ASSY, HEAT EXCHANGER 4 CELL, 17.5" (M14, M16)																												
61	4021310S SUB-ASSY, HEAT EXCHANGER 4 CELL, 21.0" (M18, M20)																												
61	4021311S SUB-ASSY, HEAT EXCHANGER 5 CELL, 21.0" (M22, M24)																												
61	4021312S SUB-ASSY, HEAT EXCHANGER 6 CELL, 24.0" (M26)																												
81	B4026005 GAS MANIFOLD 2 CELL (M2, M4)																												
81	B4026006 GAS MANIFOLD 3 CELL (M6, M8, M10, M12)																												
81	B4026007 GAS MANIFOLD 4 CELL (M14, M16, M18, M20)																												
81	B4026008 GAS MANIFOLD 5 CELL (M22, M24)																												
81	B4026009 GAS MANIFOLD 6 CELL (M26)																												
91	4028000 ORIFICE PLATE 2 CELL (M2, M4)																												
91	4028001 ORIFICE PLATE 3 CELL (M6, M8, M10, M12)																												
91	4028002 ORIFICE PLATE 4 CELL (M14, M16, M18, M20)																												
91	4028003 ORIFICE PLATE 5 CELL (M22, M24)																												
91	4028004 ORIFICE PLATE 6 CELL (M26)																												
<i>Image 2:</i>																													
12	B1392633 VENT MOTOR GASKET 14" (M2, M4, M6, M8)																												
12	B1392634 VENT MOTOR GASKET 17.5" (M10, M12, M14, M16)																												
12	B1392635 VENT MOTOR GASKET 21" (M18, M20, M22, M24)																												
12	B1392636 VENT MOTOR GASKET 24.5" (M26)																												
42	0131M00002S VENT MOTOR (M2, M4, M6, M8, M10, M12, M14, M16, M18, M20, M22, M24, M26)																												
52	4010012S FLUE COLLECTOR BOX 14.0", 1.500 MOD A (M2, M4)																												
52	4010013S FLUE COLLECTOR BOX 14.0", 2.000 MOD A (M6, M8)																												
52	4010014S FLUE COLLECTOR BOX 17.5", 2.000 MOD A (M10, M12)																												
52	4010015S FLUE COLLECTOR BOX 17.5", 2.000 MOD A (M14, M16)																												
52	4010016S FLUE COLLECTOR BOX 21.0", 2.000 MOD A (M18, M20)																												

# Burner Box



# Burner Box

Ref Part No:	Description:	Ref. Part No:	Description:
<i>Image 1:</i>		Expanded Model Nomenclature	
11	0130F00010 FLAME SENSOR	M1	- GMS80453ANBC
21	B1370145 ROLLOUT SWITCH, 300 W/O BRACKET (QTY 2)	M2	- GMS80453ANBD
51	B4022700 INSHOT BURNER ASSY 3" (QTY 2)	M3	- GMS80453AXBC
61	20165703S IGNITOR	M4	- GMS80453AXBD
71	2509503 ROLLOUT SWITCH BRACKET (QTY 2)	M5	- GMS80703ANBC
81	2513500 BURNER RACK 2 CELL (M1, M2, M3, M4)	M6	- GMS80703ANBD
81	2513501 BURNER RACK 3 CELL (M5, M6, M7, M8, M9, M10, M11, M12)	M7	- GMS80703AXBC
81	2513502 BURNER RACK 4 CELL (M13, M14, M15, M16, M17, M18, M19, M20)	M8	- GMS80703AXBD
81	2513503 BURNER RACK 5 CELL (M21, M22, M23, M24)	M9	- GMS80704BNBC
81	2513504 BURNER RACK 6 CELL (M25, M26)	M10	- GMS80704BNBD
91	2514000 SIDE PLATE, BURNER BOX (QTY 2)	M11	- GMS80704BXBC
101	4013010 BURNER BOX TOP 2 CELL (M1, M2, M3, M4)	M12	- GMS80704BXBD
101	4013011 BURNER BOX TOP 3 CELL (M5, M6, M7, M8, M9, M10, M11, M12)	M13	- GMS80904BNBC
101	4013012 BURNER BOX TOP 4 CELL (M13, M14, M15, M16, M17, M18, M19, M20)	M14	- GMS80904BNBD
101	4013013 BURNER BOX TOP 5 CELL (M21, M22, M23, M24)	M15	- GMS80904BXBC
101	4013014 BURNER BOX TOP 6 CELL (M25, M26)	M16	- GMS80904BXBD
NS	B4068404 WIRE HARNESS ASSY, IGNITOR 2-PIN	M17	- GMS80905CNBC
		M18	- GMS80905CNBD
		M19	- GMS80905CXBC
		M20	- GMS80905CXBD
		M21	- GMS81155CNBC
		M22	- GMS81155CNBD
		M23	- GMS81155CXBC
		M24	- GMS81155CXBD
		M25	- GMS81405DNBC
		M26	- GMS81405DNBD