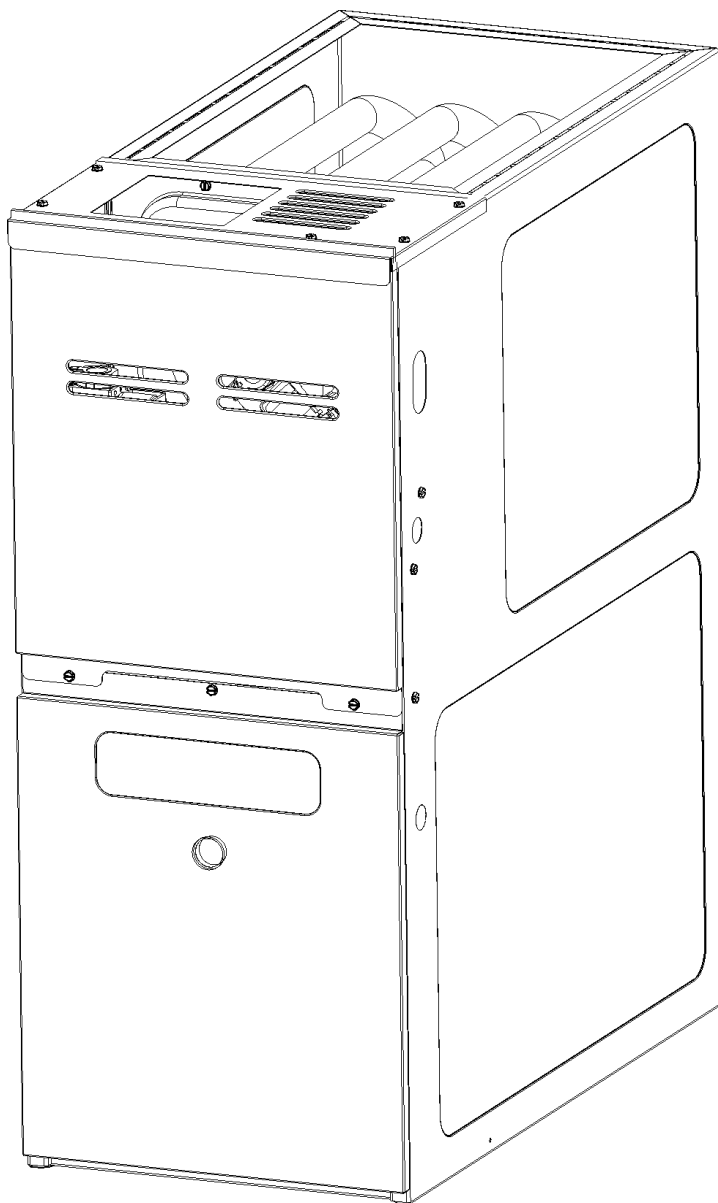


GMS8* Multi-Position Furnace

GMS80403ANBD
GMS80403AXBD
GMS80603ANBD
GMS80603AXBD
GMS80604BNBD
GMS80604BXBD
GMS80804BNBD
GMS80804BXBD
GMS80805CNBD
GMS80805CXBD
GMS81005CNBD
GMS81005CXBD



This manual is to be used by qualified technicians only.

© 2015 Goodman Manufacturing Company, L.P. ♦ 5151 San Felipe St., Suite 500 ♦ Houston, TX 77056

Important Information

Index

Functional Parts List	3
Illustration and Parts	4 - 11

Views shown are for parts illustrations only, not servicing procedures

Text Codes:

AR - As Required

NA - Not Available

NS - Not Shown

00000000 - See Note

QTY - Quantity Example (QTY 3) (If Quantity not shown, Quantity = 1)

M - Model Example (M1) (If M Code not shown, then part is used on all Models)

Expanded Model Nomenclature:

Example M1 - Model#1 M2 - Model#2 M3 - Model#3

Goodman Manufacturing Company, L.P. is not responsible for personal injury or property damage resulting from improper service. Review all service information before beginning repairs.

Warranty service must be performed by an authorized technician, using authorized factory parts. If service is required after the warranty expires, Goodman Manufacturing Company, L.P. also recommends contacting an authorized technician and using authorized factory parts.

Goodman Manufacturing Company, L.P. reserves the right to discontinue, or change at any time, specifications or designs without notice or without incurring obligations.

For assistance within the U.S.A. contact:
Consumer Affairs Department
Goodman Manufacturing Company, L.P.
7401 Security Way
Houston, Texas 77040
877-254-4729-Telephone
713-863-2382-Facsimile

For assistance outside the U.S.A. contact:
International Division
Goodman Manufacturing Company, L.P.
7401 Security Way
Houston, Texas 77040
713-861-2500-Telephone
713-863-2382-Facsimile

Functional Parts

Part

No: Description:

20162904	*PRIMARY LIMIT-TEMPERATURE CONTROL (M3, M4, M5, M6, M7, M8, M11, M12) *Refer to service bulletin SF-054
0130F00038	AUX LIMIT - LT BLUE 120°
0131F00022	BLOWER MOTOR 1/2 HP, 4 SP, 6 PL (M5, M6, M7, M8, M9, M10, M11, M12)
0131F00027	BLOWER MOTOR, 1/3HP, 4SP, 6PL (M1, M2, M3, M4)
B1368047	BLOWER WHEEL 10 X 10 (M9, M10, M11, M12)
B1368034	BLOWER WHEEL 10 X 6 (M1, M2, M3, M4)
B1368016	BLOWER WHEEL 10 X 8 (M5, M6, M7, M8)
CAP125000370CP	CAP, 12.5 MFD/370V/ RD (M1, M2, M3, M4)
CAP200000370CP	CAP, 20 MFD/370V/ RD (M5, M6, M7, M8, M9, M10, M11, M12)
0130F00010	FLAME SENSOR
0151M00037	GAS VALVE
PCBBF134	IGNITION BOARD, HSI INTEGRATED
0130F00008	IGNITOR-SINI 17 SEC
B4022700	INSHOT BURNER ASSY 3" (QTY 2)
10690402	INTERLOCK SWITCH
10123529	MANUAL RESET R.O.S. LIMIT (QTY 2)
10716005	ORIFICE (QTY 2)
20162901	PRESSURE LIMIT-RED (M1, M2)
B1370179	PRESSURE SWITCH (M3, M4, M5, M6, M9, M10)
B1370158	PRESSURE SWITCH -0.70" WC (M1, M2, M7, M8, M11, M12)
B1370158	PRESSURE SWITCH -0.70" WC (M1, M2, M7, M8, M11, M12)
20162903	PRIMARY LIMIT - BLUE (M9, M10)
0130M00140	TRANSFORMER 120V TO 24V, 40VA
0131M00002P	VENT MOTOR
DY6.186.070	VENT MOTOR CAPACITOR

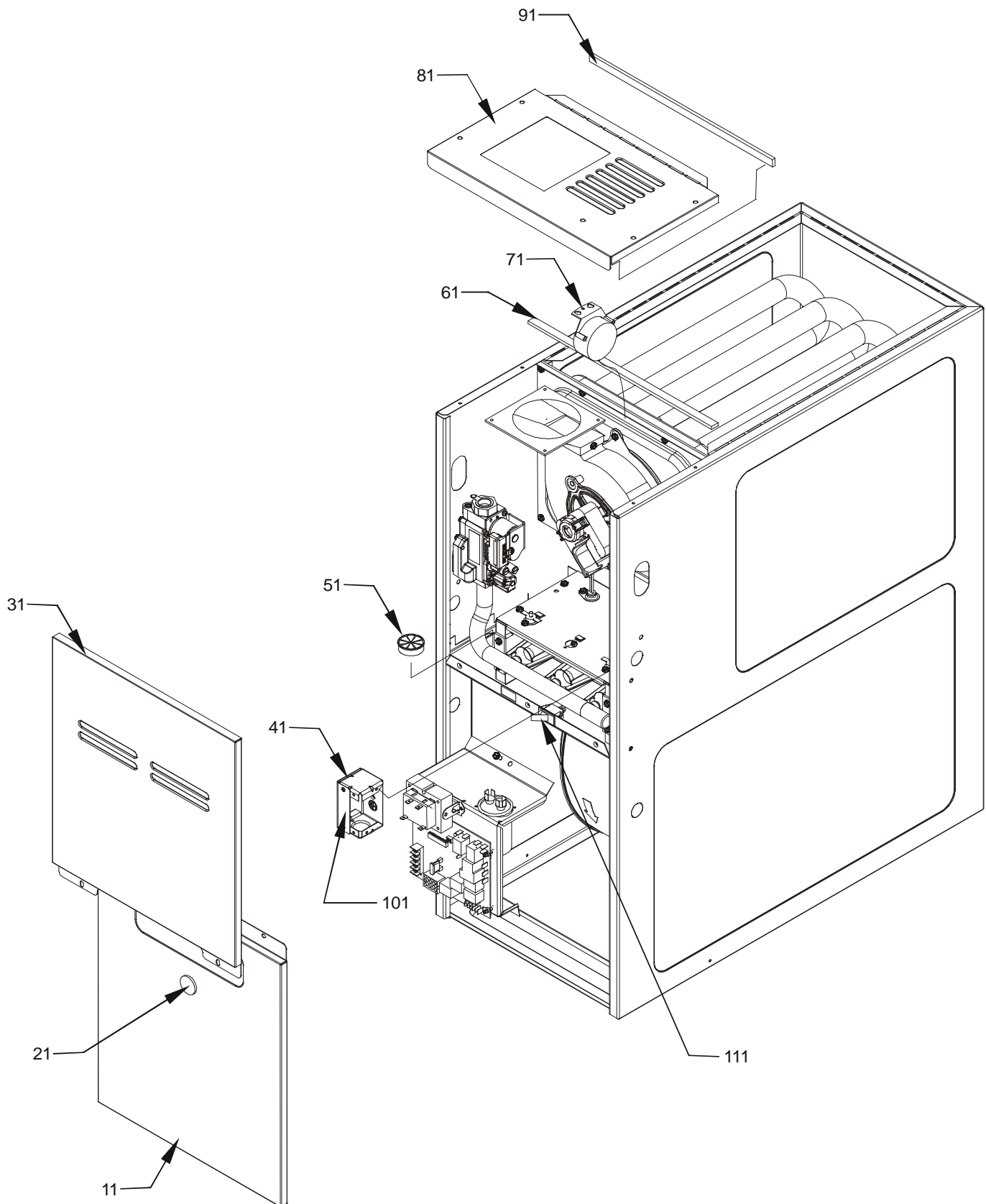
SPECIAL PARTS

0161F00007 GOODMAN NAMEPLATE

Expanded Model Nomenclature

M1 - GMS80403ANBD
M2 - GMS80403AXBD
M3 - GMS80603ANBD
M4 - GMS80603AXBD
M5 - GMS80604BNBD
M6 - GMS80604BXBD
M7 - GMS80804BNBD
M8 - GMS80804BXBD
M9 - GMS80805CNBD
M10 - GMS80805CXBD
M11 - GMS81005CNBD
M12 - GMS81005CXBD

Cabinet



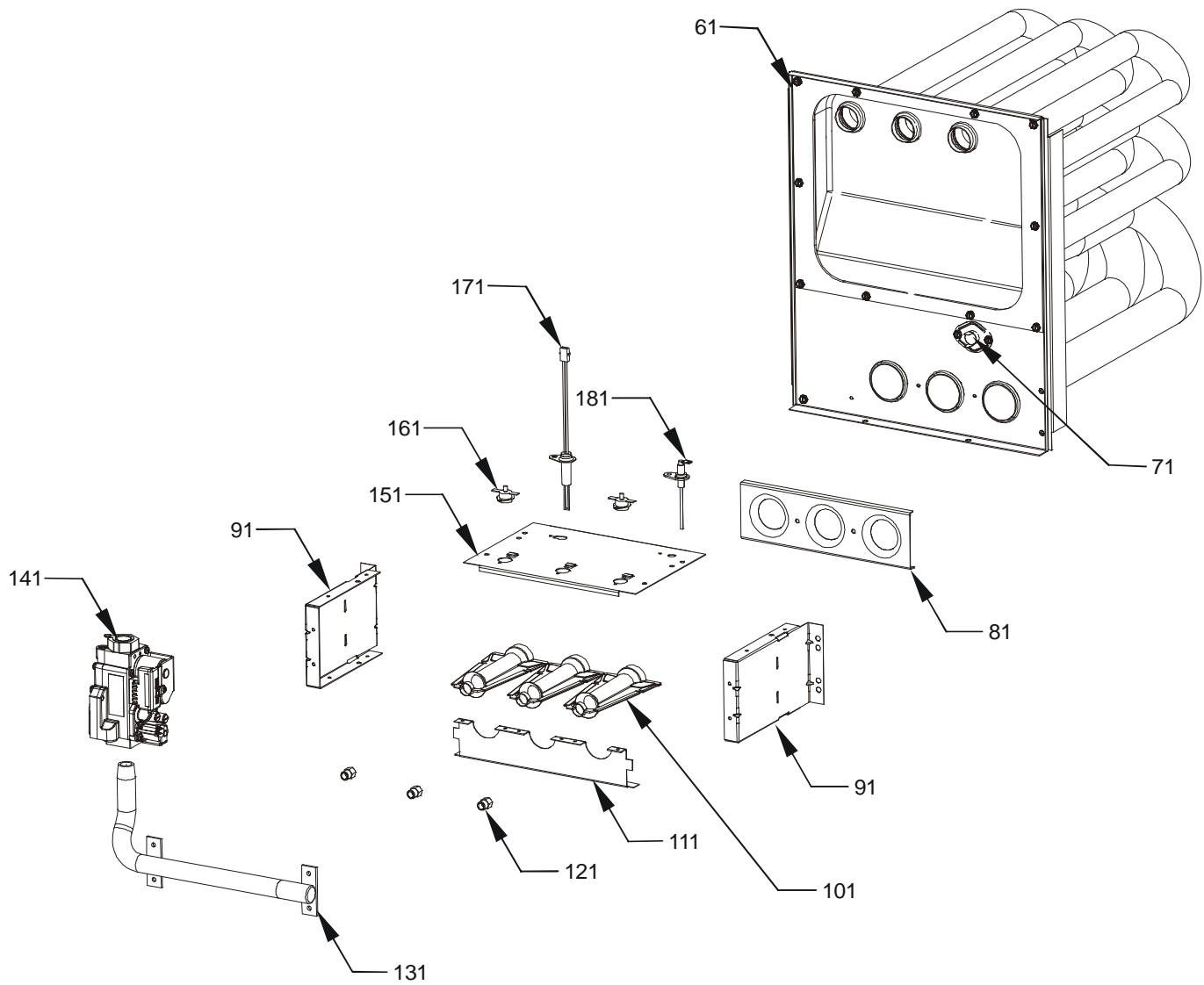
Cabinet

Ref. Part No: No:	Description:	Ref. Part No: No:	Description:
Image 1:			
11	0121F00122DG		BLOWER ACCESS DOOR 14" (M1, M2, M3, M4)
11	0121F00123DG		BLOWER ACCESS DOOR 17.5" (M5, M6, M7, M8)
11	0121F00124DG		BLOWER ACCESS DOOR 21" (M9, M10, M11, M12)
21	B1392139		VIEW PORT BUSHING-BLOWER DOOR
31	0121F00118DG		CONTROL ACCESS DOOR 14" (M1, M2, M3, M4)
31	0121F00119DG		CONTROL ACCESS DOOR 17.5" (M5, M6, M7, M8)
31	0121F00120DG		CONTROL ACCESS DOOR 21" (M9, M10, M11, M12)
41	4014502		J-BOX
51	B1392147		UNIVERSAL BUSHING WITH SLICE
61	B13926111		SEAL STRIP, 1/8 X 1/2 X 14 (M1, M2, M3, M4)
61	B13926112		SEAL STRIP, 1/8 X 1/2 X 17.5 (M5, M6, M7, M8)
61	B13926113		SEAL STRIP, 1/8 X 1/2 X 21 (M9, M10, M11, M12)
71	B1370179		PRESSURE SWITCH (M3, M4, M5, M6, M9, M10)
71	B1370158		PRESSURE SWITCH -0.70" WC (M1, M2, M7, M8, M11, M12)
71	B1370158		PRESSURE SWITCH -0.70" WC (M1, M2, M7, M8, M11, M12)
81	0121F00141DG		TOP 14" (M1, M2, M3, M4)
81	0121F00142DG		TOP 17.5" (M5, M6, M7, M8)
81	0121F00143DG		TOP 21" (M9, M10, M11, M12)
91	B13926111		SEAL STRIP, 1/8 X 1/2 X 14 (M1, M2, M3, M4)
91	B13926112		SEAL STRIP, 1/8 X 1/2 X 17.5 (M5, M6, M7, M8)
91	B13926113		SEAL STRIP, 1/8 X 1/2 X 21 (M9, M10, M11, M12)
101	4015502		J-BOX COVER
111	10690402		INTERLOCK SWITCH
NS	0259F00054		12-PIN WIRE HARNESS ASSY
NS	0161F00007		GOODMAN NAMEPLATE
NS	0259F00051		IGNITOR WIRE HARNESS ASSY
NS	1819000		SOLID BOTTOM 14" CASE (M1, M2, M3, M4)
NS	1819001		SOLID BOTTOM 17.5" CASE (M5, M6, M7, M8)
NS	1819002		SOLID BOTTOM 21" CASE (M9, M10, M11, M12)
NS	0259F00078		WIRE KIT

Expanded Model Nomenclature

M1 - GMS80403ANBD
M2 - GMS80403AXBD
M3 - GMS80603ANBD
M4 - GMS80603AXBD
M5 - GMS80604BNBD
M6 - GMS80604BXBD
M7 - GMS80804BNBD
M8 - GMS80804BXBD
M9 - GMS80805CNBD
M10 - GMS80805CXBD
M11 - GMS81005CNBD
M12 - GMS81005CXBD

Heat Exchanger Assy



Heat Exchanger Assy

Ref. Part No: No:	Description:	Ref. Part No: No:	Description:
-------------------	--------------	-------------------	--------------

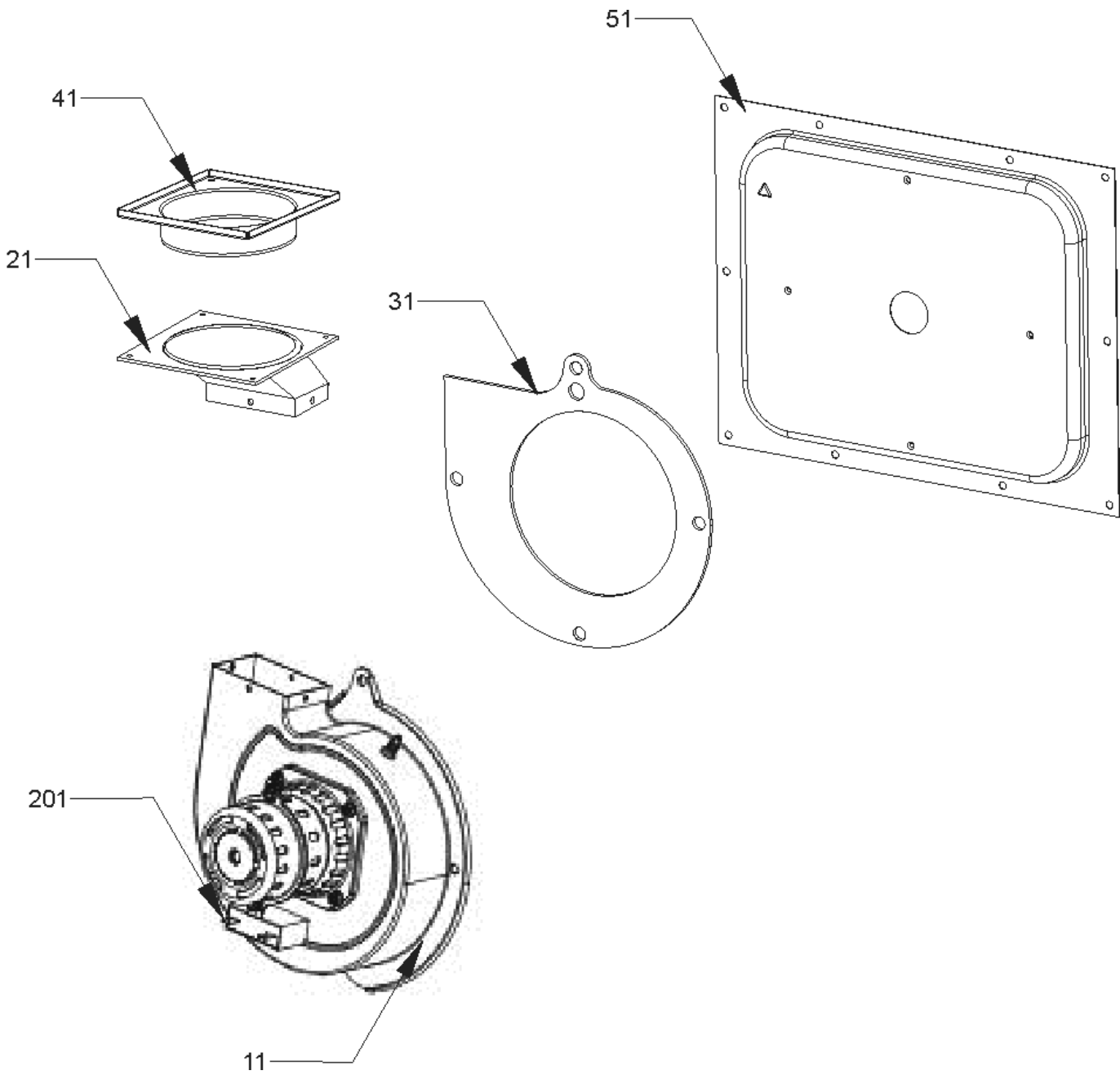
Image 1:

61	0270F00900	HEAT EXCHANGER ASSY (M1, M2)
61	0270F00901	HEAT EXCHANGER ASSY (M3, M4)
61	0270F00902	HEAT EXCHANGER ASSY (M7, M8)
61	0270F00903	HEAT EXCHANGER ASSY (M11, M12)
61	0270F00929	HEAT EXCHANGER ASSY (M5, M6)
61	0270F00930	HEAT EXCHANGER ASSY (M9, M10)
71	20162904	*PRIMARY LIMIT-TEMPERATURE CONTROL (M3, M4, M5, M6, M7, M8, M11, M12) *Refer to service bulletin SF-054
71	20162901	PRESSURE LIMIT-RED (M1, M2)
71	20162903	PRIMARY LIMIT - BLUE (M9, M10)
81	4028000	ORIFICE SHIELD 2 CELL (M1, M2)
81	4028001	ORIFICE SHIELD 3 CELL (M3, M4, M5, M6)
81	4028002	ORIFICE SHIELD 4 CELL (M7, M8, M9, M10)
81	4028003	ORIFICE SHIELD 5 CELL (M11, M12)
91	0121F00146	BURNER BOX SIDE (QTY 2)
101	B4022700	INSHOT BURNER ASSY 3" (QTY 2)
111	0121F00167	BURNER BRACKET 2B (M1, M2)
111	0121F00168	BURNER BRACKET 3B (M3, M4, M5, M6)
111	0121F00169	BURNER BRACKET 4B (M7, M8, M9, M10)
111	0121F00170	BURNER BRACKET 5B (M11, M12)
121	10716005	ORIFICE (QTY 2)
131	0120F00006	MANIFOLD (M1, M2)
131	0120F00007	MANIFOLD (M3, M4, M5, M6)
131	0120F00008	MANIFOLD (M7, M8, M9, M10)
131	0120F00009	MANIFOLD (M11, M12)
141	0151M00037	GAS VALVE
151	0121F00162	BURNER BOX TOP 2 CELL (M1, M2)
151	0121F00163	BURNER BOX TOP 3 CELL (M3, M4, M5, M6)
151	0121F00164	BURNER BOX TOP 4 CELL (M7, M8, M9, M10)
151	0121F00165	BURNER BOX TOP 5 CELL (M11, M12)
161	10123529	MANUAL RESET R.O.S. LIMIT (QTY 2)
171	0130F00008	IGNITOR-SINI 17 SEC
181	0130F00010	FLAME SENSOR

Expanded Model Nomenclature

- | |
|--------------------|
| M1 - GMS80403ANBD |
| M2 - GMS80403AXBD |
| M3 - GMS80603ANBD |
| M4 - GMS80603AXBD |
| M5 - GMS80604BNBD |
| M6 - GMS80604BXBD |
| M7 - GMS80804BNBD |
| M8 - GMS80804BXBD |
| M9 - GMS80805CNBD |
| M10 - GMS80805CXBD |
| M11 - GMS81005CNBD |
| M12 - GMS81005CXBD |

Collector Box Assy



Collector Box Assy

Ref. Part No: No:	Description:	Ref. Part No: No:	Description:
-------------------	--------------	-------------------	--------------

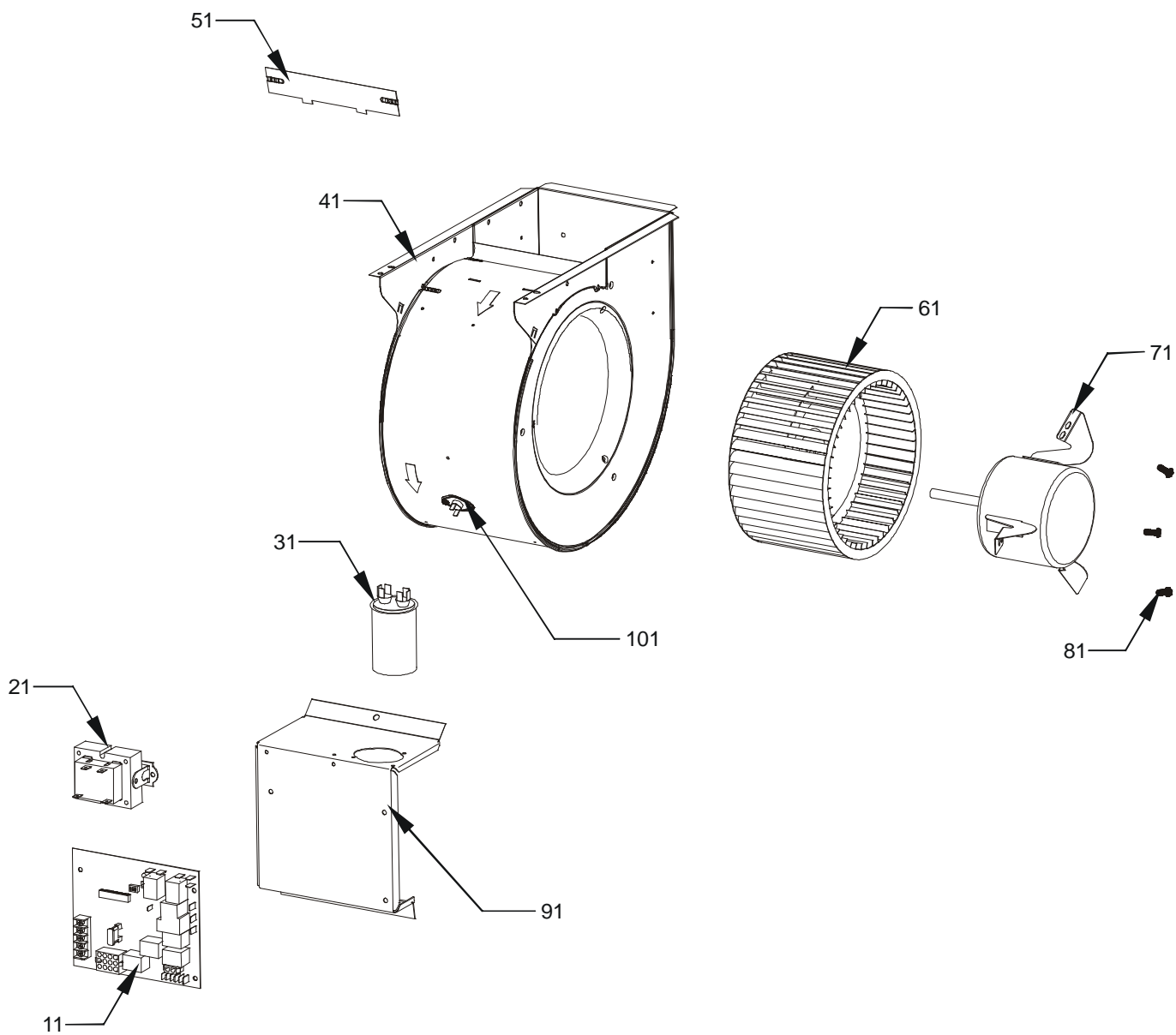
Image 1:

11	0131M00002P	VENT MOTOR
21	0128F00006	CHIMNEY TRANSITION BOTTOM
31	0154F00003	VENT MOTOR GASKET 14" (M1, M2, M3, M4)
31	0154F00004	VENT MOTOR GASKET 17.5" (M5, M6, M7, M8)
31	0154F00005	VENT MOTOR GASKET 21" (M9, M10, M11, M12)
41	4023500	CHIMNEY TRANSITION TOP
51	0121F00333	FLUE COLLECTOR BOX 21" 2.25 DIA (M9, M10, M11, M12)
51	0121F00126	FLUE COLLECTOR BOX KIT 14" 1.25 DIA (M1, M2)
51	0121F00198	FLUE COLLECTOR BOX KIT 14" 1.75 DIA (M3, M4)
51	0121F00128	FLUE COLLECTOR BOX KIT 17.5" 1.75 DIA (M5, M6, M7, M8)
201	DY6.186.070	VENT MOTOR CAPACITOR

Expanded Model Nomenclature

M1 - GMS80403ANBD
M2 - GMS80403AXBD
M3 - GMS80603ANBD
M4 - GMS80603AXBD
M5 - GMS80604BNBD
M6 - GMS80604BXBD
M7 - GMS80804BNBD
M8 - GMS80804BXBD
M9 - GMS80805CNBD
M10 - GMS80805CXBD
M11 - GMS81005CNBD
M12 - GMS81005CXBD

Blower and Control Panel



Blower and Control Panel

Ref. Part No:	No:	Description:	Ref. Part No:	No:	Description:
Image 1:					
11	PCBBF134	IGNITION BOARD, HSI INTEGRATED			
21	0130M00140	TRANSFORMER 120V TO 24V, 40VA			
31	CAP125000370CP	CAP, 12.5 MFD/370V/ RD (M1, M2, M3, M4)			
31	CAP200000370CP	CAP, 20 MFD/370V/ RD (M5, M6, M7, M8, M9, M10, M11, M12)			
41	2539307	BLOWER HOUSING 10 X 10 (M9, M10, M11, M12)			
41	2539305	BLOWER HOUSING 10 X 6 (M1, M2, M3, M4)			
41	2539306	BLOWER HOUSING 10 X 8 (M5, M6, M7, M8)			
51	764741	BLOWER BLOCK-OFF 10 X 10 (M9, M10, M11, M12)			
51	764740	BLOWER BLOCK-OFF 10 X 8 (M5, M6, M7, M8)			
51	764739	BLOWER CUT-OFF 10 X 6 (M1, M2, M3, M4)			
61	B1368047	BLOWER WHEEL 10 X 10 (M9, M10, M11, M12)			
61	B1368034	BLOWER WHEEL 10 X 6 (M1, M2, M3, M4)			
61	B1368016	BLOWER WHEEL 10 X 8 (M5, M6, M7, M8)			
71	0131F00022	BLOWER MOTOR 1/2 HP, 4 SP, 6 PL (M5, M6, M7, M8, M9, M10, M11, M12)			
71	0131F00027	BLOWER MOTOR, 1/3HP, 4SP, 6PL (M1, M2, M3, M4)			
81	M0250558	TC SCREW (QTY 3)			
91	1815817	CONTROL MOUNT PANEL			
101	0130F00038	AUX LIMIT - LT BLUE 120°			

Expanded Model Nomenclature

M1 - GMS80403ANBD
M2 - GMS80403AXBD
M3 - GMS80603ANBD
M4 - GMS80603AXBD
M5 - GMS80604BNBD
M6 - GMS80604BXBD
M7 - GMS80804BNBD
M8 - GMS80804BXBD
M9 - GMS80805CNBD
M10 - GMS80805CXBD
M11 - GMS81005CNBD
M12 - GMS81005CXBD