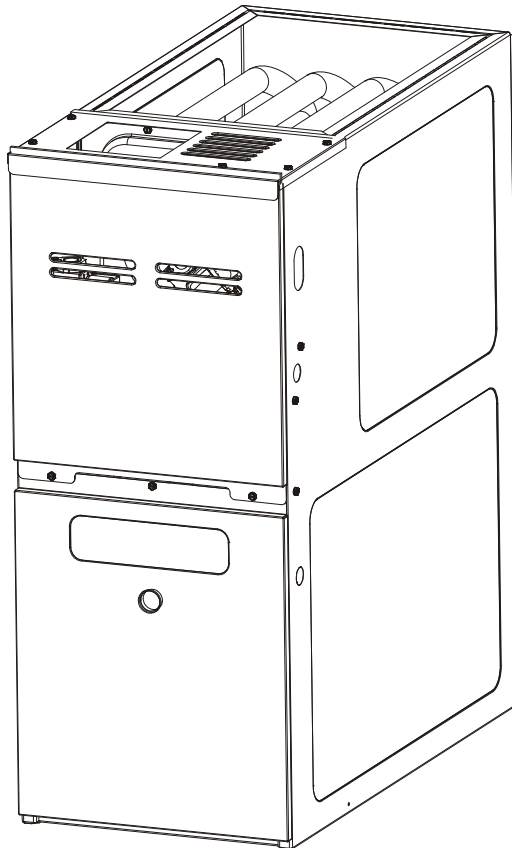


**GMS8 80% Single-Stage MultipSpeed Furnace**

GMS80453ANCA  
GMS80453ANCB  
GMS80453AXCA  
GMS80453AXCB  
GMS80703ANCA  
GMS80703ANCB  
GMS80703AXCA  
GMS80703AXCB  
GMS80704BNCA  
GMS80704BNCB  
GMS80704BXCA  
GMS80704BXC  
GMS80904BNCA  
GMS80904BNCB  
GMS80904BXCA  
GMS80904BXC  
GMS80905CNCA  
GMS80905CNCB  
GMS80905CXCA  
GMS80905CXC  
GMS81155CNCA  
GMS81155CNCB  
GMS81155CXCA  
GMS81155CXC  
GMS81405DNCA  
GMS81405DNCB



This manual is to be used by qualified technicians only.

Replaces parts manual RP-541

© 2009 Goodman Manufacturing Company, L.P. ♦ 5151 San Felipe, Suite 500 ♦ Houston, TX 77056

# Important Information

---

## Index

Functional Parts List .....	3
Illustration and Parts .....	4 - 11

*Views shown are for parts illustrations only, not servicing procedures*

Added "CB" models with 90° vent motor rotation feature

### Text Codes:

AR - As Required

NA - Not Available

NS - Not Shown

00000000 - See Note

QTY - Quantity Example (QTY 3) (If Quantity not shown, Quantity = 1)

M - Model Example (M1) (If M Code not shown, then part is used on all Models)

### Expanded Model Nomenclature:

Example M1 - Model#1 M2 - Model#2 M3 - Model#3
---

Goodman Manufacturing Company, L.P. is not responsible for personal injury or property damage resulting from improper service. Review all service information before beginning repairs.

Warranty service must be performed by an authorized technician, using authorized factory parts. If service is required after the warranty expires, Goodman Manufacturing Company, L.P. also recommends contacting an authorized technician and using authorized factory parts.

Goodman Manufacturing Company, L.P. reserves the right to discontinue, or change at any time, specifications or designs without notice or without incurring obligations.

For assistance within the U.S.A. contact:  
Consumer Affairs Department  
Goodman Manufacturing Company, L.P.  
7401 Security Way  
Houston, Texas 77040  
877-254-4729-Telephone  
713-863-2382-Facsimile

For assistance outside the U.S.A. contact:  
International Division  
Goodman Manufacturing Company, L.P.  
7401 Security Way  
Houston, Texas 77040  
713-861-2500-Telephone  
713-863-2382-Facsimile

# Functional Parts

## Part

## No: Description:

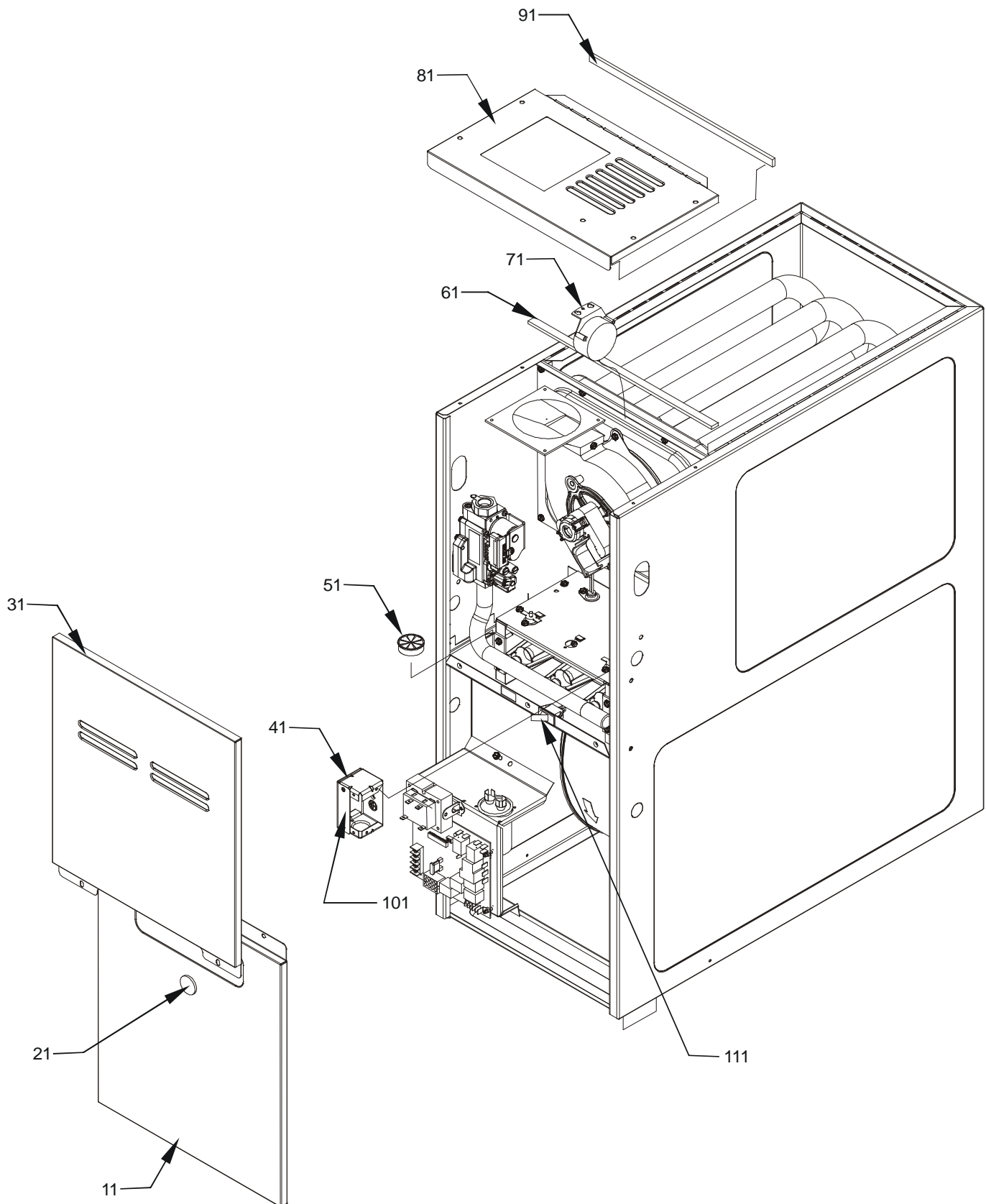
## Expanded Model Nomenclature

0131F00022	BLOWER MOTOR 1/2 HP, 4 SP, 6 PL (M9, M10, M11, M12, M13, M14, M15, M16, M17, M18, M19, M20, M21, M22, M23, M24)	M1 - GMS80453ANCA
20046618	BLOWER MOTOR 3/4 HP (M25, M26)	M2 - GMS80453ANCB
D6723311	BLOWER WHEEL (M25, M26)	M3 - GMS80453AXCA
B1368047	BLOWER WHEEL 10 X 10 (M17, M18, M19, M20, M21, M22, M23, M24)	M4 - GMS80453AXCB
B1368034	BLOWER WHEEL 10 X 6 (M1, M2, M3, M4, M5, M6, M7, M8)	M5 - GMS80703ANCA
B1368016	BLOWER WHEEL 10 X 8 (M9, M10, M11, M12, M13, M14, M15, M16)	M6 - GMS80703ANCB
CAP125000370RP	CAPACITOR 12.5/370V (M1, M2, M3, M4, M5, M6, M7, M8)	M7 - GMS80703AXCA
CAP200000440RP	CAPACITOR 20/370V (M9, M10, M11, M12, M13, M14, M15, M16, M17, M18, M19, M20, M21, M22, M23, M24)	M8 - GMS80703AXCB
CAP250000370RP	CAPACITOR 25/370V (M25, M26)	M9 - GMS80704BNCA
0130F00010	FLAME SENSOR	M10 - GMS80704BNCB
B1282628	GAS VALVE, MANIFOLD (36G)	M11 - GMS80704BXCA
PCBBF123	IGNITION BOARD, HSI INTEGRATED	M12 - GMS80704BXC
20165703	IGNITOR	M13 - GMS80904BNCA
B1370818	INTERLOCK SWITCH	M14 - GMS80904BNCB
10123529	MANUAL RESET LIMIT (QTY 2)	M15 - GMS80904BXCA
0131F00021	MOTOR, 1/3HP, 4SP, 6PL (M1, M2, M3, M4, M5, M6, M7, M8)	M16 - GMS80904BXC
10716003	ORIFICE (QTY AR)	M17 - GMS80905CNCA
B1370179	PRESSURE SWITCH (M9, M10, M11, M12, M13, M14, M15, M16, M17, M18, M19, M20)	M18 - GMS80905CNCB
0130F00041	PRESSURE SWITCH (M21, M22, M23, M24)	M19 - GMS80905CXCA
0130F00042	PRESSURE SWITCH (M25, M26)	M20 - GMS80905XC
B1370158	PRESSURE SWITCH -0.70" WC (M1, M2, M3, M4, M5, M6, M7, M8)	M21 - GMS81155CNCA
20162903	PRIMARY LIMIT - BLUE (M13, M14, M15, M16, M25, M26)	M22 - GMS81155CNCB
0130F00038	PRIMARY LIMIT - LT BLUE 120°	M23 - GMS81155CXCA
0130F00036	PRIMARY LIMIT - PINK (M21, M22, M23, M24)	M24 - GMS81155XC
0130F00035	PRIMARY LIMIT - PURPLE 220° (M1, M2, M3, M4)	M25 - GMS81405DNCA
20162906	PRIMARY LIMIT - WHITE (M5, M6, M7, M8, M9, M10, M11, M12, M17, M18, M19, M20)	M26 - GMS81405DNCB
B1141605	TRANSFORMER 120V TO 24V, 40 VA	
0131M00002	VENT MOTOR	

## SPECIAL PARTS

0161F00007	GOODMAN NAMEPLATE
HI-115A	HOMEOWNERS INSTRUCTIONS
0159F00008	IGNITOR WIRE HARNESS ASSY
IO-669	INSTALL-HUMIDIFIER
IO-359C	INSTR, INSTL & OPER
0259F00052	WIRE KIT

# Cabinet



# Cabinet

**Ref. Part  
No: No:**

**Description:**

**Ref. Part  
No: No:**

**Description:**

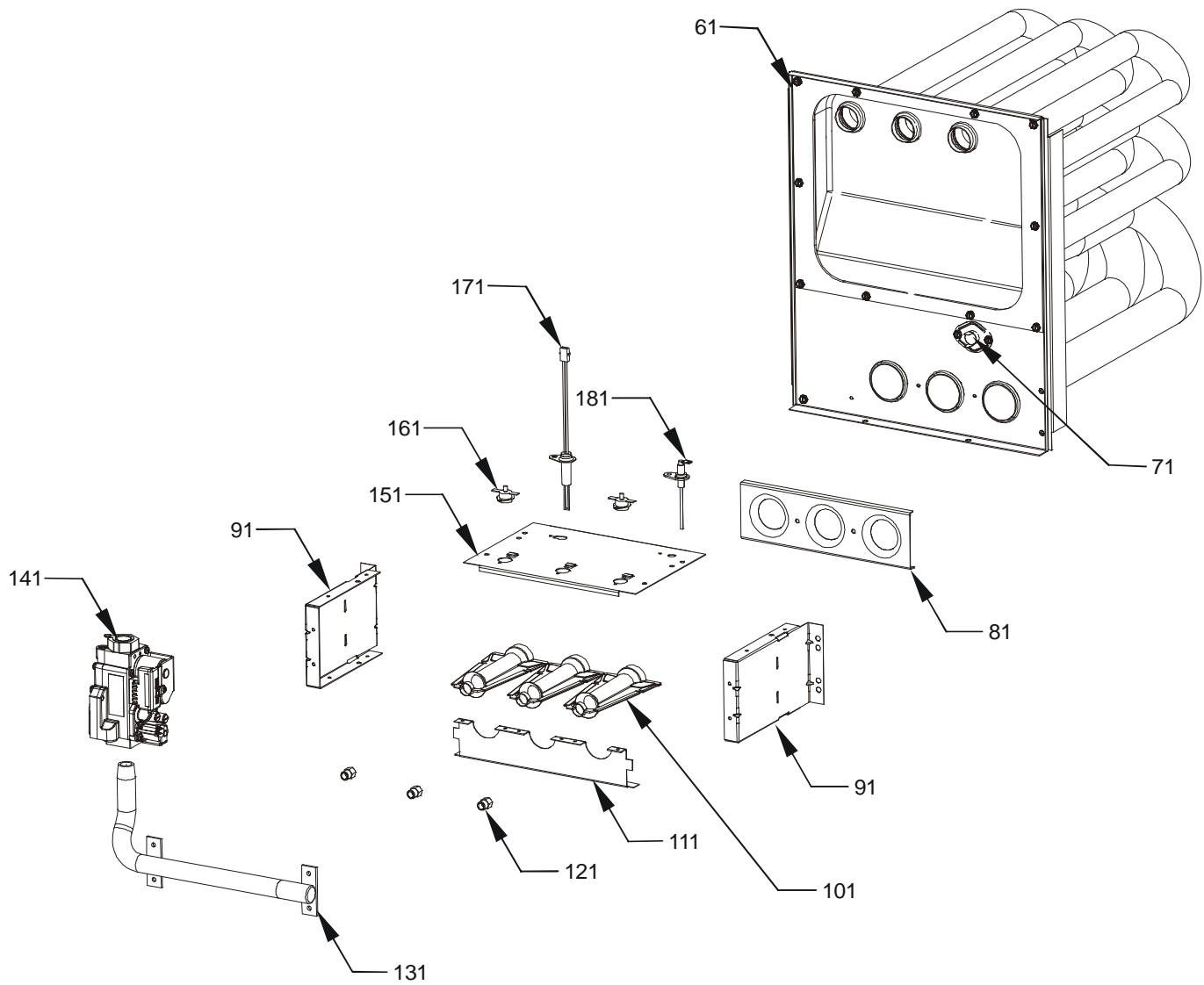
*Image 1:*

11	0121F00122DG	BLOWER ACCESS DOOR 14" (M1, M2, M3, M4, M5, M6, M7, M8)
11	0121F00123DG	BLOWER ACCESS DOOR 17.5" (M9, M10, M11, M12, M13, M14, M15, M16)
11	0121F00124DG	BLOWER ACCESS DOOR 21" (M17, M18, M19, M20, M21, M22, M23, M24)
11	0121F00125DG	BLOWER ACCESS DOOR 24.5" (M25, M26)
21	B1392139	VIEW PORT BUSHING-BLOWER DOOR
31	0121F00118DG	CONTROL ACCESS DOOR 14" (M1, M2, M3, M4, M5, M6, M7, M8)
31	0121F00119DG	CONTROL ACCESS DOOR 17.5" (M9, M10, M11, M12, M13, M14, M15, M16)
31	0121F00120DG	CONTROL ACCESS DOOR 21" (M17, M18, M19, M20, M21, M22, M23, M24)
31	0121F00121DG	CONTROL ACCESS DOOR 24.5" (M25, M26)
41	4014502	J-BOX
51	B1392147	UNIVERSAL BUSHING WITH SLICE
61	B13926111	SEAL STRIP, 1/8 X 1/2 X 14 (M1, M2, M3, M4, M5, M6, M7, M8)
61	B13926112	SEAL STRIP, 1/8 X 1/2 X 17.5 (M9, M10, M11, M12, M13, M14, M15, M16)
61	B13926113	SEAL STRIP, 1/8 X 1/2 X 21 (M17, M18, M19, M20, M21, M22, M23, M24)
61	B13926114	SEAL STRIP, 1/8 X 1/2 X 24.5 (M25, M26)
71	0130F00041	PRESSURE SWITCH (M21, M22, M23, M24)
71	0130F00042	PRESSURE SWITCH (M25, M26)
71	B1370179	PRESSURE SWITCH (M9, M10, M11, M12, M13, M14, M15, M16, M17, M18, M19, M20)
71	B1370158	PRESSURE SWITCH -0.70" WC (M1, M2, M3, M4, M5, M6, M7, M8)
81	0121F00141DG	TOP 14" (M1, M2, M3, M4, M5, M6, M7, M8)
81	0121F00142DG	TOP 17.5" (M9, M10, M11, M12, M13, M14, M15, M16)
81	0121F00143DG	TOP 21" (M17, M18, M19, M20, M21, M22, M23, M24)
81	0121F00144DG	TOP 24.5" (M25, M26)
91	B13926111	SEAL STRIP, 1/8 X 1/2 X 14
101	4015502	J-BOX COVER
111	B1370818	INTERLOCK SWITCH

Expanded Model Nomenclature

M1 - GMS80453ANCA
M2 - GMS80453ANCB
M3 - GMS80453AXCA
M4 - GMS80453AXCB
M5 - GMS80703ANCA
M6 - GMS80703ANCB
M7 - GMS80703AXCA
M8 - GMS80703AXCB
M9 - GMS80704BNCA
M10 - GMS80704BNCB
M11 - GMS80704BXCA
M12 - GMS80704BXC
M13 - GMS80904BNCA
M14 - GMS80904BNCB
M15 - GMS80904BXCA
M16 - GMS80904BXC
M17 - GMS80905CNCA
M18 - GMS80905CNCB
M19 - GMS80905CXCA
M20 - GMS80905CXC
M21 - GMS81155CNCA
M22 - GMS81155CNCB
M23 - GMS81155CXCA
M24 - GMS81155CXC
M25 - GMS81405DNCA
M26 - GMS81405DNCB

# Heat Exchanger Assy



# Heat Exchanger Assy

**Ref. Part  
No: No:**

**Description:**

**Ref. Part  
No: No:**

**Description:**

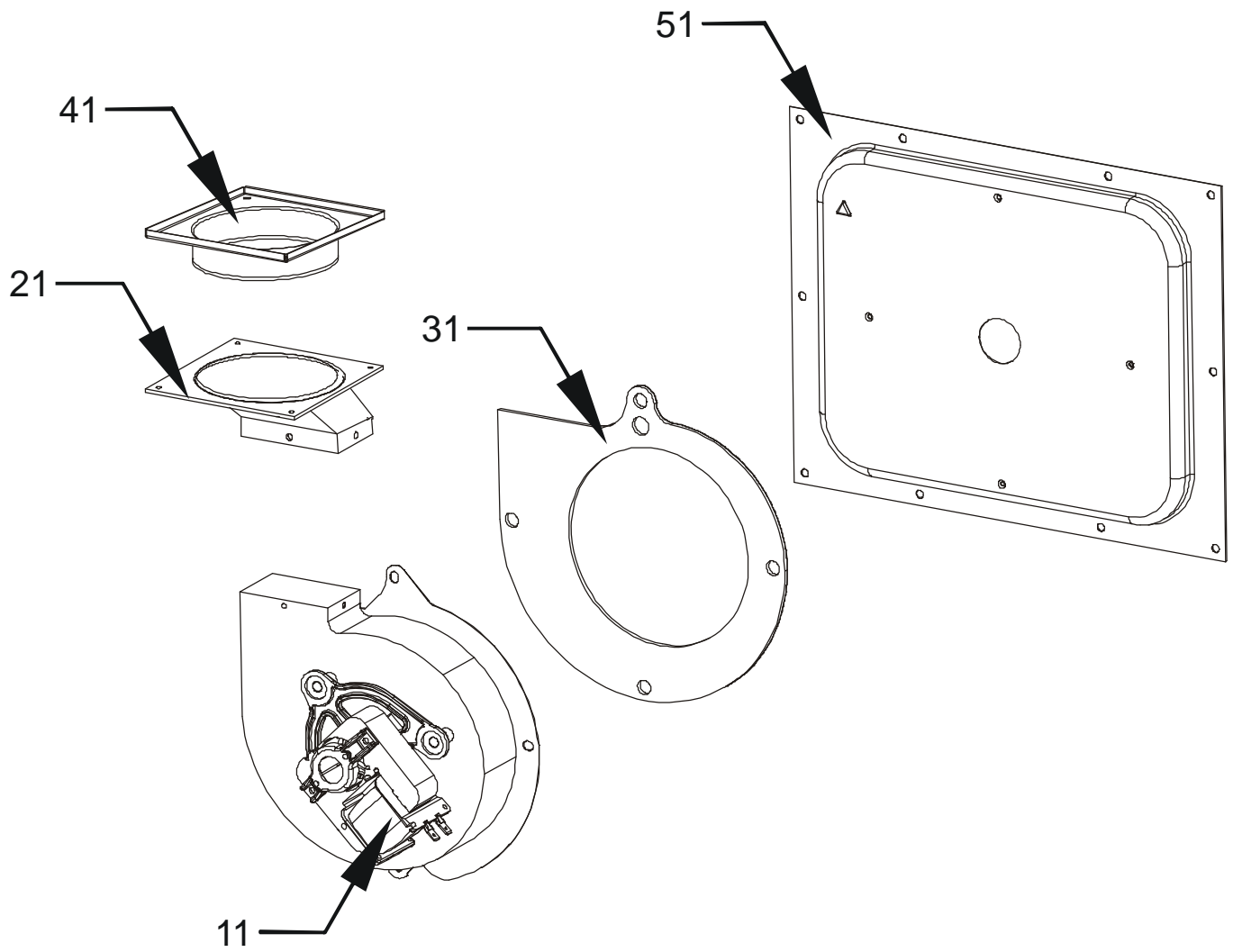
*Image 1:*

61	0270F00900	HEAT EXCHANGER ASSY (M1, M2, M3, M4)
61	0270F00901	HEAT EXCHANGER ASSY (M5, M6, M7, M8)
61	0270F00902	HEAT EXCHANGER ASSY (M13, M14, M15, M16)
61	0270F00903	HEAT EXCHANGER ASSY (M21, M22, M23, M24)
61	0270F00904	HEAT EXCHANGER ASSY (M25, M26)
61	0270F00929	HEAT EXCHANGER ASSY (M9, M10, M11, M12)
61	0270F00930	HEAT EXCHANGER ASSY (M17, M18, M19, M20)
71	20162903	PRIMARY LIMIT - BLUE (M13, M14, M15, M16, M25, M26)
71	0130F00036	PRIMARY LIMIT - PINK (M21, M22, M23, M24)
71	0130F00035	PRIMARY LIMIT - PURPLE 220° (M1, M2, M3, M4)
71	20162906	PRIMARY LIMIT - WHITE (M5, M6, M7, M8, M9, M10, M11, M12, M17, M18, M19, M20)
81	4028000	ORIFICE SHIELD 2 CELL (M1, M2, M3, M4)
81	4028001	ORIFICE SHIELD 3 CELL (M5, M6, M7, M8, M9, M10, M11, M12)
81	4028002	ORIFICE SHIELD 4 CELL (M13, M14, M15, M16, M17, M18, M19, M20)
81	4028003	ORIFICE SHIELD 5 CELL (M21, M22, M23, M24)
81	4028004	ORIFICE SHIELD 6 CELL (M25, M26)
91	0121F00146	BURNER BOX SIDE (QTY 2)
101	B4022700	INSHOT BURNER ASSY 3" (QTY AR)
111	0121F00167	BURNER BRACKET 2B (M1, M2, M3, M4)
111	0121F00168	BURNER BRACKET 3B (M5, M6, M7, M8, M9, M10, M11, M12)
111	0121F00169	BURNER BRACKET 4B (M13, M14, M15, M16, M17, M18, M19, M20)
111	0121F00170	BURNER BRACKET 5B (M21, M22, M23, M24)
111	0121F00171	BURNER BRACKET 6B (M25, M26)
121	10716003	ORIFICE (QTY AR)
131	0120F00006	MANIFOLD (M1, M2, M3, M4)
131	0120F00007	MANIFOLD (M5, M6, M7, M8)
131	0120F00008	MANIFOLD (M13, M14, M15, M16)
131	0120F00009	MANIFOLD (M21, M22, M23, M24)
131	0120F00010	MANIFOLD (M25, M26)
131	0120F00017	MANIFOLD (M9, M10, M11, M12)
131	0120F00018	MANIFOLD (M17, M18, M19, M20)
141	B1282628	GAS VALVE, MANIFOLD (36G)
151	0121F00162	BURNER BOX TOP 2 CELL (M1, M2, M3, M4)
151	0121F00163	BURNER BOX TOP 3 CELL (M5, M6, M7, M8, M9, M10, M11, M12)
151	0121F00164	BURNER BOX TOP 4 CELL (M13, M14, M15, M16, M17, M18, M19, M20)
151	0121F00165	BURNER BOX TOP 5 CELL (M21, M22, M23, M24)
151	0121F00166	BURNER BOX TOP 6 CELL (M25, M26)
161	10123529	MANUAL RESET LIMIT (QTY 2)
171	20165703	IGNITOR
181	0130F00010	FLAME SENSOR
NS	0159F00008	IGNITOR WIRE HARNESS ASSY

Expanded Model Nomenclature

M1 - GMS80453ANCA
M2 - GMS80453ANCB
M3 - GMS80453AXCA
M4 - GMS80453AXCB
M5 - GMS80703ANCA
M6 - GMS80703ANCB
M7 - GMS80703AXCA
M8 - GMS80703AXCB
M9 - GMS80704BNCA
M10 - GMS80704BNCB
M11 - GMS80704BXCA
M12 - GMS80704BXC
M13 - GMS80904BNCA
M14 - GMS80904BNCB
M15 - GMS80904BXCA
M16 - GMS80904BXC
M17 - GMS80905CNCA
M18 - GMS80905CNCB
M19 - GMS80905CXCA
M20 - GMS80905CXC
M21 - GMS81155CNCA
M22 - GMS81155CNCB
M23 - GMS81155CXCA
M24 - GMS81155CXC
M25 - GMS81405DNCA
M26 - GMS81405DNCB

# Collector Box Assy



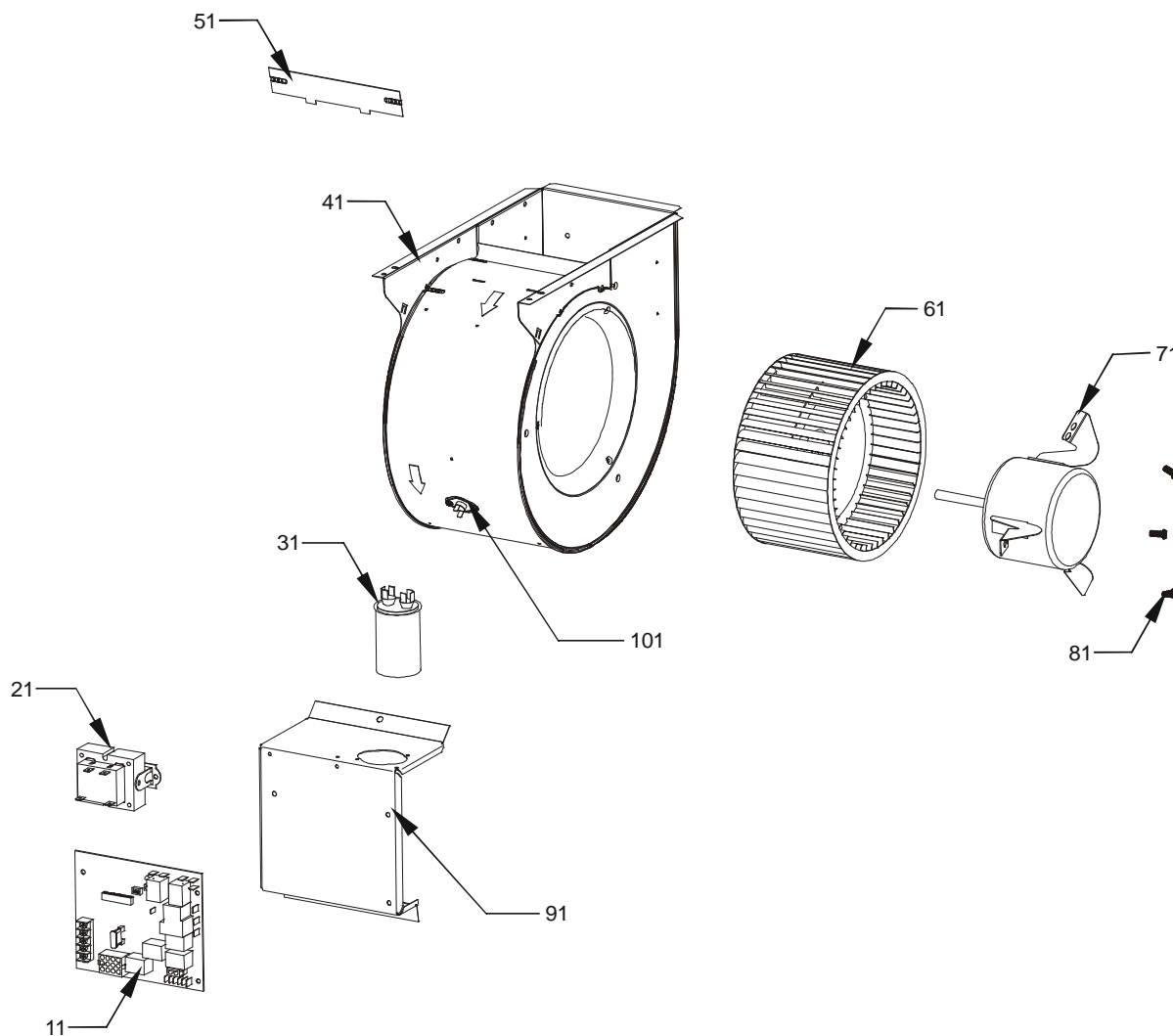
# Collector Box Assy

Ref. Part No:	No:	Description:	Ref. Part No:	No:	Description:
<i>Image 1:</i>					
11	0131M00002	VENT MOTOR			
21	0128F00006	CHIMNEY TRANSITION BOTTOM			
31	0154F00003	VENT MOTOR GASKET 14" (M1, M2, M3, M4, M5, M6, M7, M8)			
31	0154F00004	VENT MOTOR GASKET 17.5" (M9, M10, M11, M12, M13, M14, M15, M16)			
31	0154F00005	VENT MOTOR GASKET 21" (M17, M18, M19, M20, M21, M22, M23, M24)			
31	0154F00006	VENT MOTOR GASKET 24.5" (M25, M26)			
41	4023500	CHIMNEY TRANSITION TOP			
51	0121F00126	FLUE COLLECTOR BOX KIT 14" 1.25 DIA (M1, M2, M3, M4)			
51	0121F00127	FLUE COLLECTOR BOX KIT 14" 2.0 DIA (M5, M6, M7, M8)			
51	0121F00128	FLUE COLLECTOR BOX KIT 17.5" 1.75 DIA (M9, M10, M11, M12)			
51	0121F00161	FLUE COLLECTOR BOX KIT 17.5" 2.0 DIA (M13, M14, M15, M16)			
51	0121F00130	FLUE COLLECTOR BOX KIT 21" 2.25 DIA (M17, M18, M19, M20, M21, M22, M23, M24)			
51	0121F00131	FLUE COLLECTOR BOX KIT 24.5" 3.5 DIA (M25, M26)			

## Expanded Model Nomenclature

- M1 - GMS80453ANCA
- M2 - GMS80453ANCB
- M3 - GMS80453AXCA
- M4 - GMS80453AXCB
- M5 - GMS80703ANCA
- M6 - GMS80703ANCB
- M7 - GMS80703AXCA
- M8 - GMS80703AXCB
- M9 - GMS80704BNCA
- M10 - GMS80704BNCB
- M11 - GMS80704BXCA
- M12 - GMS80704BXC
- M13 - GMS80904BNCA
- M14 - GMS80904BNCB
- M15 - GMS80904BXCA
- M16 - GMS80904BXC
- M17 - GMS80905CNCA
- M18 - GMS80905CNCB
- M19 - GMS80905CXCA
- M20 - GMS80905CXC
- M21 - GMS81155CNCA
- M22 - GMS81155CNCB
- M23 - GMS81155CXCA
- M24 - GMS81155CXC
- M25 - GMS81405DNCA
- M26 - GMS81405DNCB

# Blower and Control Panel



# Blower and Control Panel

**Ref. Part  
No: No:**

**Description:**

**Ref. Part  
No: No:**

**Description:**

*Image 1:*

11	PCBBF123	IGNITION BOARD, HSI INTEGRATED
21	B1141605	TRANSFORMER 120V TO 24V, 40 VA
31	CAP125000370RP	CAPACITOR 12.5/370V (M1, M2, M3, M4, M5, M6, M7, M8)
31	CAP200000440RP	CAPACITOR 20/370V (M9, M10, M11, M12, M13, M14, M15, M16, M17, M18, M19, M20, M21, M22, M23, M24)
31	CAP250000370RP	CAPACITOR 25/370V (M25, M26)
41	2539307	BLOWER HOUSING 10 X 10 (M17, M18, M19, M20, M21, M22, M23, M24, M25, M26)
41	2539305	BLOWER HOUSING 10 X 6 (M1, M2, M3, M4, M5, M6, M7, M8)
41	2539306	BLOWER HOUSING 10 X 8 (M9, M10, M11, M12, M13, M14, M15, M16)
51	764741F	BLOWER BLOCK-OFF 10 X 10 (M17, M18, M19, M20, M21, M22, M23, M24, M25, M26)
51	764740F	BLOWER BLOCK-OFF 10 X 8 (M9, M10, M11, M12, M13, M14, M15, M16)
51	764739	BLOWER CUT-OFF 10 X 6 (M1, M2, M3, M4, M5, M6, M7, M8)
61	D6723311	BLOWER WHEEL (M25, M26)
61	B1368047	BLOWER WHEEL 10 X 10 (M17, M18, M19, M20, M21, M22, M23, M24)
61	B1368034	BLOWER WHEEL 10 X 6 (M1, M2, M3, M4, M5, M6, M7, M8)
61	B1368016	BLOWER WHEEL 10 X 8 (M9, M10, M11, M12, M13, M14, M15, M16)
71	0131F00022	BLOWER MOTOR 1/2 HP, 4 SP, 6 PL (M9, M10, M11, M12, M13, M14, M15, M16, M17, M18, M19, M20, M21, M22, M23, M24)
71	20046618	BLOWER MOTOR 3/4 HP (M25, M26)
71	0131F00021	MOTOR, 1/3HP, 4SP, 6PL (M1, M2, M3, M4, M5, M6, M7, M8)
81	M0250558	TC SCREW (QTY 3)
91	1815817	CONTROL MOUNT PANEL
101	0130F00038	PRIMARY LIMIT - LT BLUE 120°
NS	0259F00054	12-PIN WIRE HARNESS ASSY

Expanded Model Nomenclature

M1 - GMS80453ANCA
M2 - GMS80453ANCB
M3 - GMS80453AXCA
M4 - GMS80453AXCB
M5 - GMS80703ANCA
M6 - GMS80703ANCB
M7 - GMS80703AXCA
M8 - GMS80703AXCB
M9 - GMS80704BNCA
M10 - GMS80704BNCB
M11 - GMS80704BXCA
M12 - GMS80704BXC
M13 - GMS80904BNCA
M14 - GMS80904BNCB
M15 - GMS80904BXCA
M16 - GMS80904BXC
M17 - GMS80905CNCA
M18 - GMS80905CNCB
M19 - GMS80905CXCA
M20 - GMS80905CXC
M21 - GMS81155CNCA
M22 - GMS81155CNCB
M23 - GMS81155CXCA
M24 - GMS81155CXC
M25 - GMS81405DNCA
M26 - GMS81405DNCB