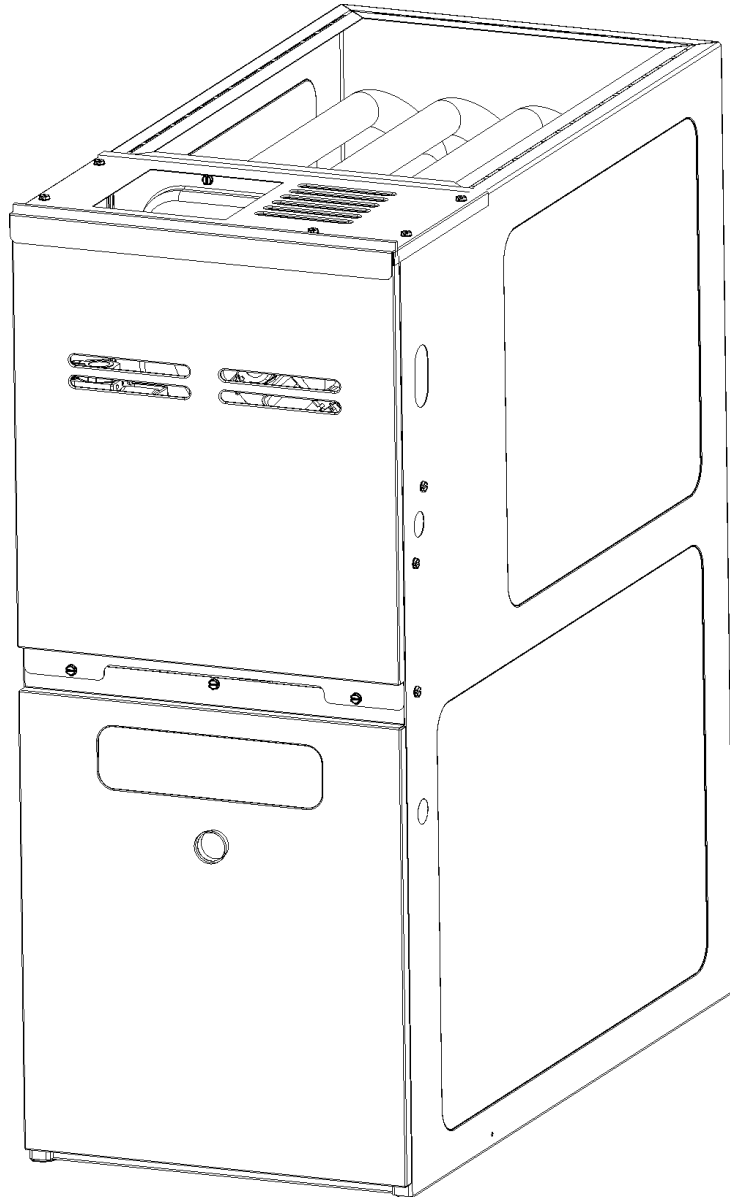


GMS8* Multi-Position Furnace

GMS80403ANBB
GMS80403ANBC
GMS80403AXBB
GMS80403AXBC
GMS80603ANBB
GMS80603ANBC
GMS80603AXBB
GMS80603AXBC
GMS80604BNBB
GMS80604BNBC
GMS80604BXBB
GMS80604BXBC
GMS80804BNBB
GMS80804BNBC
GMS80804BXBB
GMS80804BXBC
GMS80805CNBB
GMS80805CNBC
GMS80805CXBB
GMS80805CXBC
GMS81005CNBB
GMS81005CNBC
GMS81005CXBB
GMS81005CXBC
GMS81205DNBB
GMS81205DNBC
GMS81205DXBB
GMS81205DXBC
GMS81405DNCD
GMS81405DNCE



This manual is to be used by qualified technicians only.

This manual replaces RP-855B.

© 2013-2015 Goodman Manufacturing Company, L.P. ♦ 5151 San Felipe St., Suite 500 ♦ Houston, TX 77056

Important Information

Index

Functional Parts List	3
Illustration and Parts	4 - 11

Views shown are for parts illustrations only, not servicing procedures

Text Codes:

AR - As Required

NA - Not Available

NS - Not Shown

00000000 - See Note

QTY - Quantity Example (QTY 3) (If Quantity not shown, Quantity = 1)

M - Model Example (M1) (If M Code not shown, then part is used on all Models)

Expanded Model Nomenclature:

Example M1 - Model#1 M2 - Model#2 M3 - Model#3

Goodman Manufacturing Company, L.P. is not responsible for personal injury or property damage resulting from improper service. Review all service information before beginning repairs.

Warranty service must be performed by an authorized technician, using authorized factory parts. If service is required after the warranty expires, Goodman Manufacturing Company, L.P. also recommends contacting an authorized technician and using authorized factory parts.

Goodman Manufacturing Company, L.P. reserves the right to discontinue, or change at any time, specifications or designs without notice or without incurring obligations.

For assistance within the U.S.A. contact:
Consumer Affairs Department
Goodman Manufacturing Company, L.P.
7401 Security Way
Houston, Texas 77040
877-254-4729-Telephone
713-863-2382-Facsimile

For assistance outside the U.S.A. contact:
International Division
Goodman Manufacturing Company, L.P.
7401 Security Way
Houston, Texas 77040
713-861-2500-Telephone
713-863-2382-Facsimile

Functional Parts

Part No: **Description:**

20162904	*PRIMARY LIMIT-TEMPERATURE CONTROL (M5, M6, M7, M8, M9, M10, M11, M12, M13, M14, M15, M16, M21, M22, M23, M24) *Refer to service bulletin SF-054
0130F00038	AUX LIMIT - LT BLUE 120°
0131F00022	BLOWER MOTOR 1/2 HP, 4 SP, 6 PL (M9, M10, M11, M12, M13, M14, M15, M16, M17, M18, M19, M20, M21, M22, M23, M24)
20046618	BLOWER MOTOR 3/4 HP (M25, M26, M27, M28, M29, M30)
0131F00027	BLOWER MOTOR, 1/3HP, 4SP, 6PL (M1, M2, M3, M4, M5, M6, M7, M8)
B1368047	BLOWER WHEEL 10 X 10 (M17, M18, M19, M20, M21, M22, M23, M24)
B1368034	BLOWER WHEEL 10 X 6 (M1, M2, M3, M4, M5, M6, M7, M8)
B1368016	BLOWER WHEEL 10 X 8 (M9, M10, M11, M12, M13, M14, M15, M16)
B1368000	BLOWER WHEEL 11 X 10 (M25, M26, M27, M28, M29, M30)
CAP125000370CP	CAP, 12.5 MFD/370V/ RD (M1, M2, M3, M4, M5, M6, M7, M8)
CAP200000370CP	CAP, 20 MFD/370V/ RD (M9, M10, M11, M12, M13, M14, M15, M16, M17, M18, M19, M20, M21, M22, M23, M24)
CAP250000370CP	CAP, 25 MFD/370V/ RD (M25, M26, M27, M28, M29, M30)
0130F00010	FLAME SENSOR
0151M00037	GAS VALVE (M2, M4, M6, M8, M10, M12, M14, M16, M18, M20, M22, M24, M25, M26, M27, M28, M29, M30)
0151M00013	GAS VALVE (HW) SINGLE STAGE (M1, M3, M5, M7, M9, M11, M13, M15, M17, M19, M21, M23)
PCBBF134	IGNITION BOARD, HSI INTEGRATED (M26, M28, M30)
PCBBF123S	IGNITION BOARD, HSI INTEGRATED (M1, M2, M3, M4, M5, M6, M7, M8, M9, M10, M11, M12, M13, M14, M15, M16, M17, M18, M19, M20, M21, M22, M23, M24, M25, M27, M29)
20165703	IGNITOR (M1, M2, M3, M4, M5, M6, M7, M8, M9, M10, M11, M12, M13, M14, M15, M16, M17, M18, M19, M20, M21, M22, M23, M24, M25, M27, M29)
0130F00008	IGNITOR-SINI 17 SEC (M26, M28, M30)
B4022700	INSHOT BURNER ASSY 3" (QTY 2)
10690402	INTERLOCK SWITCH
10123529	MANUAL RESET R.O.S. LIMIT (QTY 2)
10716005	ORIFICE (M1, M2, M3, M4, M5, M6, M7, M8, M9, M10, M11, M12, M13, M14, M15, M16, M17, M18, M19, M20, M21, M22, M23, M24, M25, M26, M27, M28)
0163F00018	ORIFICE (M29, M30)
20162901	PRESSURE LIMIT-RED (M1, M2, M3, M4)
0130F00042	PRESSURE SWITCH (M25, M26, M27, M28, M29, M30)
B1370179	PRESSURE SWITCH (M5, M6, M7, M8, M9, M10, M11, M12, M17, M18, M19, M20)
B1370158	PRESSURE SWITCH -0.70" WC (M1, M2, M3, M4, M13, M14, M15, M16, M21, M22, M23, M24)
20162903	PRIMARY LIMIT - BLUE (M17, M18, M19, M20, M25, M26, M27, M28, M29, M30)
0130M00140	TRANSFORMER 120V TO 24V, 40VA
0131M00002P	VENT MOTOR
DY6.186.070	VENT MOTOR CAPACITOR

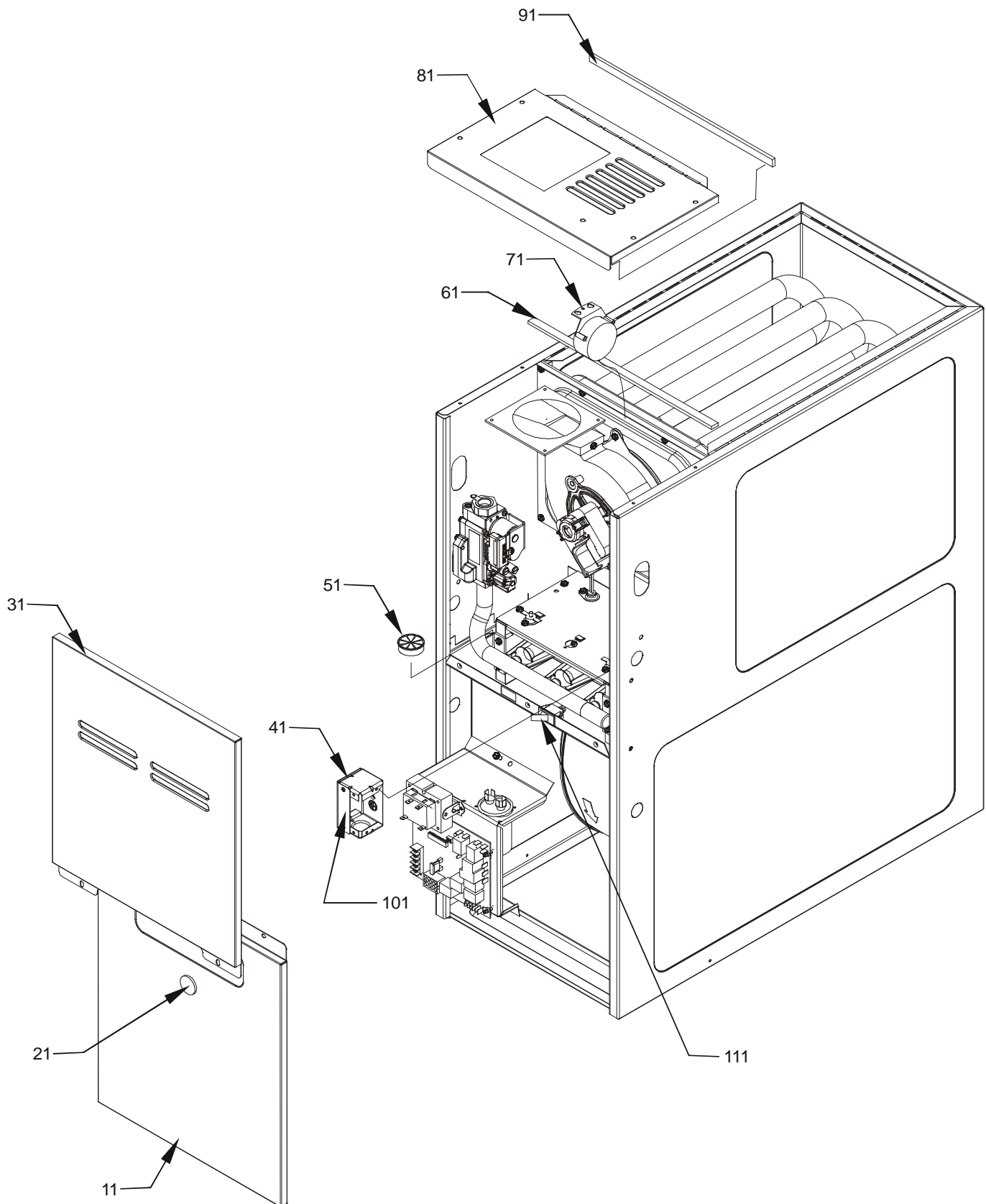
SPECIAL PARTS

0161F00007 GOODMAN NAMEPLATE

Expanded Model Nomenclature

M1 - GMS80403ANBB
M2 - GMS80403ANBC
M3 - GMS80403AXBB
M4 - GMS80403AXBC
M5 - GMS80603ANBB
M6 - GMS80603ANBC
M7 - GMS80603AXBB
M8 - GMS80603AXBC
M9 - GMS80604BNBB
M10 - GMS80604BNBC
M11 - GMS80604BXBB
M12 - GMS80604BXBC
M13 - GMS80804BNBB
M14 - GMS80804BNBC
M15 - GMS80804BXBB
M16 - GMS80804BXBC
M17 - GMS80805CNBB
M18 - GMS80805CNBC
M19 - GMS80805CXBB
M20 - GMS80805CXBC
M21 - GMS81005CNBB
M22 - GMS81005CNBC
M23 - GMS81005CXBB
M24 - GMS81005CXBC
M25 - GMS81205DNBB
M26 - GMS81205DNBC
M27 - GMS81205DXBB
M28 - GMS81205DXBC
M29 - GMS81405DNCD
M30 - GMS81405DNCE

Cabinet



Cabinet

Ref. Part
No: No:

Description:

Ref. Part
No: No:

Description:

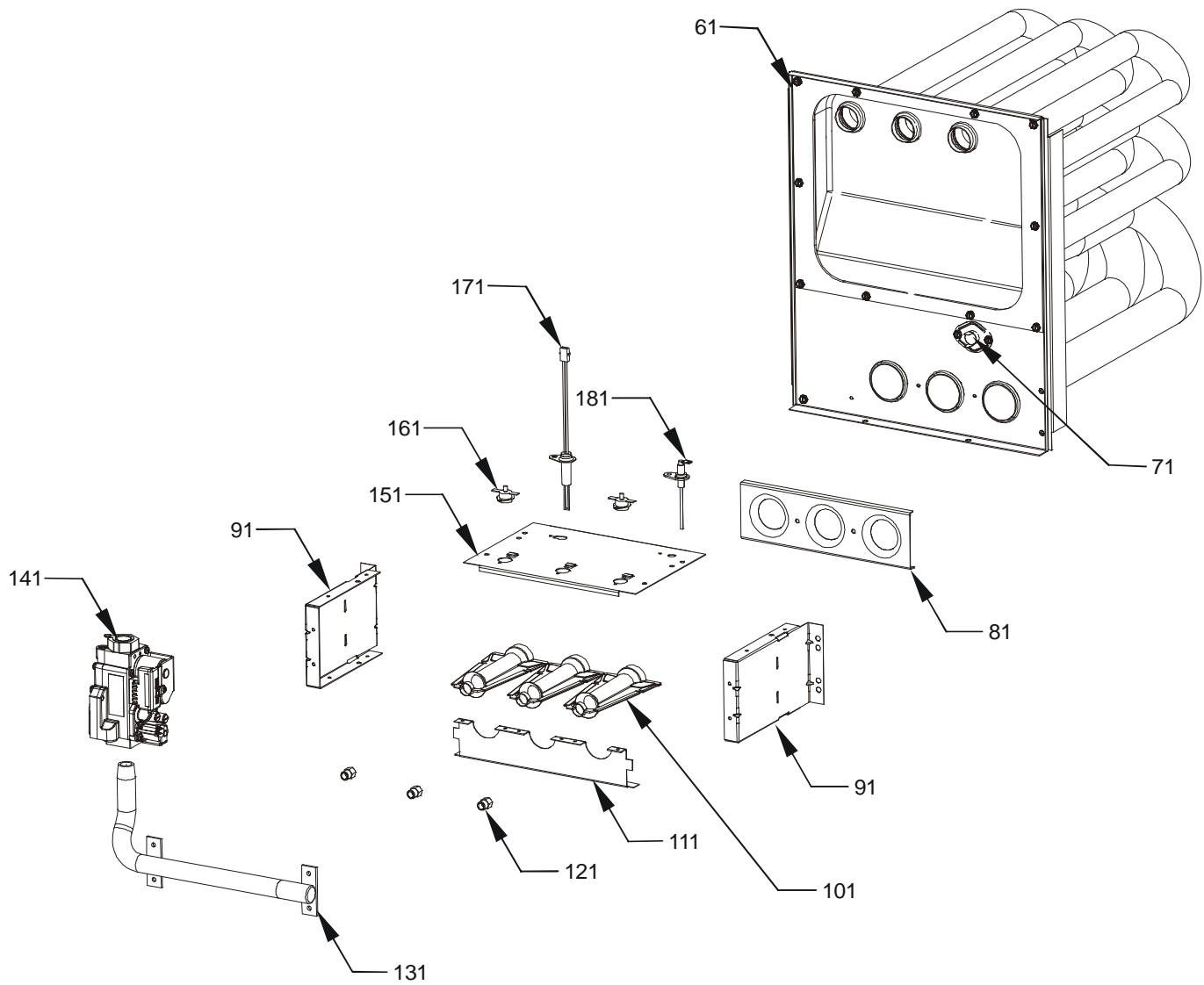
Image 1:

11	0121F00122DG	BLOWER ACCESS DOOR 14" (M1, M2, M3, M4, M5, M6, M7, M8)
11	0121F00123DG	BLOWER ACCESS DOOR 17.5" (M9, M10, M11, M12, M13, M14, M15, M16)
11	0121F00124DG	BLOWER ACCESS DOOR 21" (M17, M18, M19, M20, M21, M22, M23, M24)
11	0121F00125DG	BLOWER ACCESS DOOR 24.5" (M25, M26, M27, M28, M29, M30)
21	B1392139	VIEW PORT BUSHING-BLOWER DOOR
31	0121F00118DG	CONTROL ACCESS DOOR 14" (M1, M2, M3, M4, M5, M6, M7, M8)
31	0121F00119DG	CONTROL ACCESS DOOR 17.5" (M9, M10, M11, M12, M13, M14, M15, M16)
31	0121F00120DG	CONTROL ACCESS DOOR 21" (M17, M18, M19, M20, M21, M22, M23, M24)
31	0121F00121DG	CONTROL ACCESS DOOR 24.5" (M25, M26, M27, M28, M29, M30)
41	4014502	J-BOX
51	B1392147	UNIVERSAL BUSHING WITH SLICE
61	B13926111	SEAL STRIP, 1/8 X 1/2 X 14 (M1, M2, M3, M4, M5, M6, M7, M8)
61	B13926112	SEAL STRIP, 1/8 X 1/2 X 17.5 (M9, M10, M11, M12, M13, M14, M15, M16)
61	B13926113	SEAL STRIP, 1/8 X 1/2 X 21 (M17, M18, M19, M20, M21, M22, M23, M24)
61	B13926114	SEAL STRIP, 1/8 X 1/2 X 24.5 (M25, M26, M27, M28, M29, M30)
71	0130F00042	PRESSURE SWITCH (M25, M26, M27, M28, M29, M30)
71	B1370179	PRESSURE SWITCH (M5, M6, M7, M8, M9, M10, M11, M12, M17, M18, M19, M20)
71	B1370158	PRESSURE SWITCH -0.70" WC (M1, M2, M3, M4, M13, M14, M15, M16, M21, M22, M23, M24)
81	0121F00141DG	TOP 14" (M1, M2, M3, M4, M5, M6, M7, M8)
81	0121F00142DG	TOP 17.5" (M9, M10, M11, M12, M13, M14, M15, M16)
81	0121F00143DG	TOP 21" (M17, M18, M19, M20, M21, M22, M23, M24)
81	0121F00463DG	TOP 24.5" (M25, M26, M27, M28, M29, M30)
91	B13926111	SEAL STRIP, 1/8 X 1/2 X 14 (M1, M2, M3, M4, M5, M6, M7, M8)
91	B13926112	SEAL STRIP, 1/8 X 1/2 X 17.5 (M9, M10, M11, M12, M13, M14, M15, M16)
91	B13926113	SEAL STRIP, 1/8 X 1/2 X 21 (M17, M18, M19, M20, M21, M22, M23, M24)
91	B13926114	SEAL STRIP, 1/8 X 1/2 X 24.5 (M25, M26, M27, M28, M29, M30)
101	4015502	J-BOX COVER
111	10690402	INTERLOCK SWITCH
NS	0259F00054	12-PIN WIRE HARNESS ASSY
NS	0161F00007	GOODMAN NAMEPLATE
NS	0159F00019	IGNITOR WIRE HARNESS ASSY (M1, M2, M3, M4, M5, M6, M7, M8, M9, M10, M11, M12, M13, M14, M15, M16, M17, M18, M19, M20, M21, M22, M23, M24, M25, M27, M29)
NS	0259F00051	IGNITOR WIRE HARNESS ASSY (M26, M28, M30)
NS	1819000	SOLID BOTTOM 14" CASE (M1, M2, M3, M4, M5, M6, M7, M8)
NS	1819001	SOLID BOTTOM 17.5" CASE (M9, M10, M11, M12, M13, M14, M15, M16)
NS	1819002	SOLID BOTTOM 21" CASE (M17, M18, M19, M20, M21, M22, M23, M24)
NS	1819003	SOLID BOTTOM 24.5" CASE (M25, M26, M27, M28, M29, M30)
NS	0259F00078	WIRE KIT

Expanded Model Nomenclature

M1 - GMS80403ANBB
M2 - GMS80403ANBC
M3 - GMS80403AXBB
M4 - GMS80403AXBC
M5 - GMS80603ANBB
M6 - GMS80603ANBC
M7 - GMS80603AXBB
M8 - GMS80603AXBC
M9 - GMS80604BNBB
M10 - GMS80604BNBC
M11 - GMS80604BXBB
M12 - GMS80604BXBC
M13 - GMS80804BNBB
M14 - GMS80804BNBC
M15 - GMS80804BXBB
M16 - GMS80804BXBC
M17 - GMS80805CNBB
M18 - GMS80805CNBC
M19 - GMS80805CXBB
M20 - GMS80805CXBC
M21 - GMS81005CNBB
M22 - GMS81005CNBC
M23 - GMS81005CXBB
M24 - GMS81005CXBC
M25 - GMS81205DNBB
M26 - GMS81205DNBC
M27 - GMS81205DXBB
M28 - GMS81205DXBC
M29 - GMS81405DNCD
M30 - GMS81405DNCE

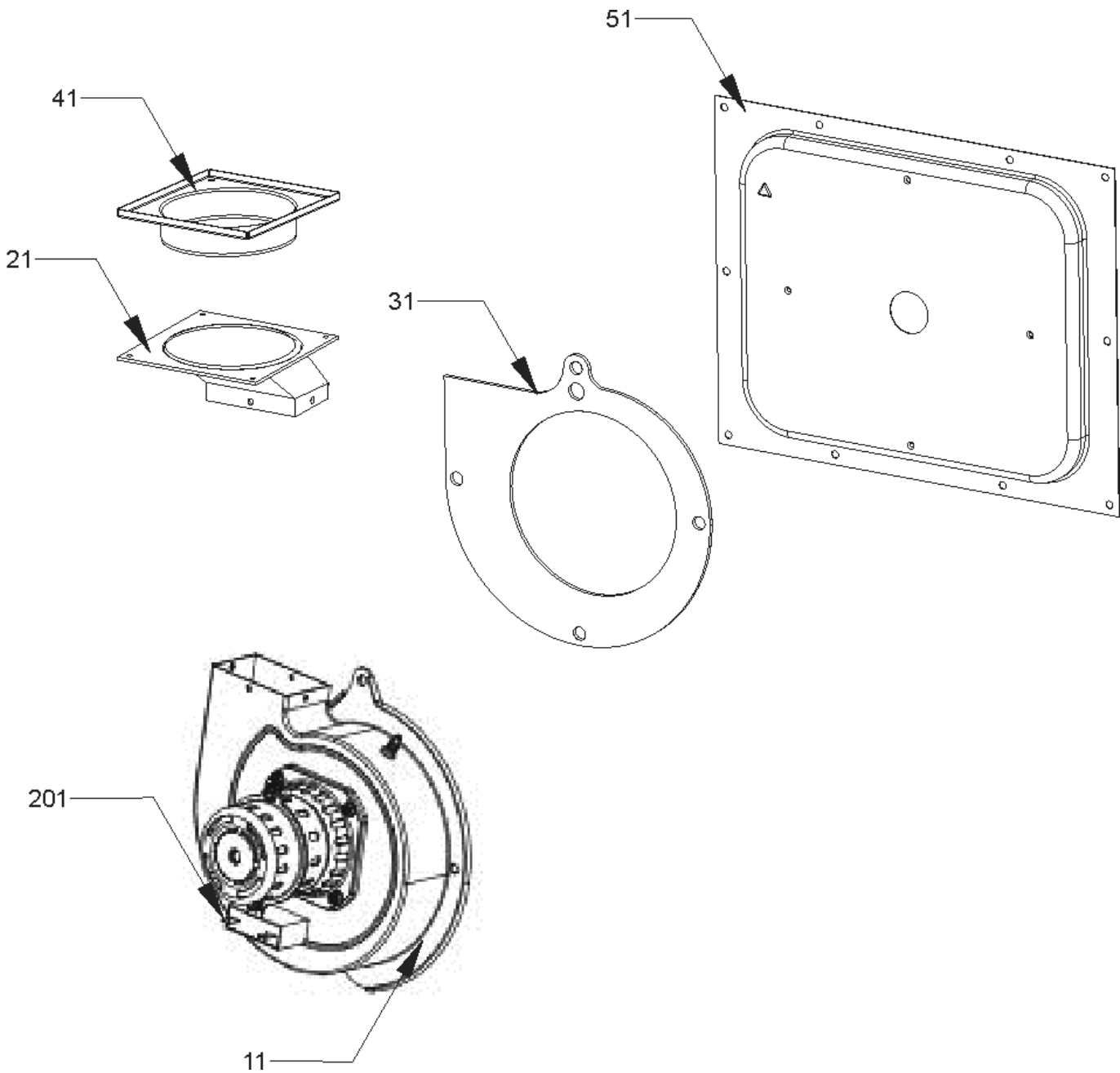
Heat Exchanger Assy



Heat Exchanger Assy

Ref. Part No: No:	Description:	Ref. Part No: No:	Description:
<i>Image 1:</i>		Expanded Model Nomenclature	
61	0270F00900 HEAT EXCHANGER ASSY (M1, M2, M3, M4)	M1	- GMS80403ANBB
61	0270F00901 HEAT EXCHANGER ASSY (M5, M6, M7, M8)	M2	- GMS80403ANBC
61	0270F00902 HEAT EXCHANGER ASSY (M13, M14, M15, M16)	M3	- GMS80403AXBB
61	0270F00903 HEAT EXCHANGER ASSY (M21, M22, M23, M24)	M4	- GMS80403AXBC
61	0270F00904 HEAT EXCHANGER ASSY (M25, M26, M27, M28, M29, M30)	M5	- GMS80603ANBB
61	0270F00929 HEAT EXCHANGER ASSY (M9, M10, M11, M12)	M6	- GMS80603ANBC
61	0270F00930 HEAT EXCHANGER ASSY (M17, M18, M19, M20)	M7	- GMS80603AXBB
71	20162904 *PRIMARY LIMIT-TEMPERATURE CONTROL (M5, M6, M7, M8, M9, M10, M11, M12, M13, M14, M15, M16, M21, M22, M23, M24) *Refer to service bulletin SF-054	M8	- GMS80603AXBC
71	20162901 PRESSURE LIMIT-RED (M1, M2, M3, M4)	M9	- GMS80604BNBB
71	20162903 PRIMARY LIMIT - BLUE (M17, M18, M19, M20, M25, M26, M27, M28, M29, M30)	M10	- GMS80604BNBC
81	4028000 ORIFICE SHIELD 2 CELL (M1, M2, M3, M4)	M11	- GMS80604BXBB
81	4028001 ORIFICE SHIELD 3 CELL (M5, M6, M7, M8, M9, M10, M11, M12)	M12	- GMS80604BXBC
81	4028002 ORIFICE SHIELD 4 CELL (M13, M14, M15, M16, M17, M18, M19, M20)	M13	- GMS80804BNBB
81	4028003 ORIFICE SHIELD 5 CELL (M21, M22, M23, M24)	M14	- GMS80804BNBC
81	4028004 ORIFICE SHIELD 6 CELL (M25, M26, M27, M28, M29, M30)	M15	- GMS80804BXBB
91	0121F00146 BURNER BOX SIDE (QTY 2)	M16	- GMS80804BXBC
101	B4022700 INSHOT BURNER ASSY 3" (QTY 2)	M17	- GMS80805CNBB
111	0121F00167 BURNER BRACKET 2B (M1, M2, M3, M4)	M18	- GMS80805CNBC
111	0121F00168 BURNER BRACKET 3B (M5, M6, M7, M8, M9, M10, M11, M12)	M19	- GMS80805CXBB
111	0121F00169 BURNER BRACKET 4B (M13, M14, M15, M16, M17, M18, M19, M20)	M20	- GMS80805CXBC
111	0121F00170 BURNER BRACKET 5B (M21, M22, M23, M24)	M21	- GMS81005CNBB
121	0163F00018 ORIFICE (M29, M30)	M22	- GMS81005CNBC
121	10716005 ORIFICE (M1, M2, M3, M4, M5, M6, M7, M8, M9, M10, M11, M12, M13, M14, M15, M16, M17, M18, M19, M20, M21, M22, M23, M24, M25, M26, M27, M28, M29)	M23	- GMS81005CXBB
131	0120F00006 MANIFOLD (M1, M2, M3, M4)	M24	- GMS81005CXBC
131	0120F00007 MANIFOLD (M5, M6, M7, M8, M9, M10, M11, M12)	M25	- GMS81205DNBB
131	0120F00008 MANIFOLD (M13, M14, M15, M16, M17, M18, M19, M20)	M26	- GMS81205DNBC
131	0120F00009 MANIFOLD (M21, M22, M23, M24)	M27	- GMS81205DXBB
131	0120F00009 MANIFOLD (M25, M26, M27, M28, M29, M30)	M28	- GMS81205DXBC
141	0151M00037 GAS VALVE (M2, M4, M6, M8, M10, M12, M14, M16, M18, M20, M22, M24, M25, M26, M27, M28, M29, M30)	M29	- GMS81405DNCD
141	0151M00013 GAS VALVE (HW) SINGLE STAGE (M1, M3, M5, M7, M9, M11, M13, M15, M17, M19, M21, M23)	M30	- GMS81405DNCE
151	0121F00162 BURNER BOX TOP 2 CELL (M1, M2, M3, M4)		
151	0121F00163 BURNER BOX TOP 3 CELL (M5, M6, M7, M8, M9, M10, M11, M12)		
151	0121F00164 BURNER BOX TOP 4 CELL (M13, M14, M15, M16, M17, M18, M19, M20)		
151	0121F00165 BURNER BOX TOP 5 CELL (M21, M22, M23, M24)		
151	0121F00166 BURNER BOX TOP 6 CELL (M25, M26, M27, M28, M29, M30)		
161	10123529 MANUAL RESET R.O.S. LIMIT (QTY 2)		
171	20165703 IGNITOR (M1, M2, M3, M4, M5, M6, M7, M8, M9, M10, M11, M12, M13, M14, M15, M16, M17, M18, M19, M20, M21, M22, M23, M24, M25, M27, M29)		
171	0130F00008 IGNITOR-SINI 17 SEC (M26, M28, M30)		
181	0130F00010 FLAME SENSOR		

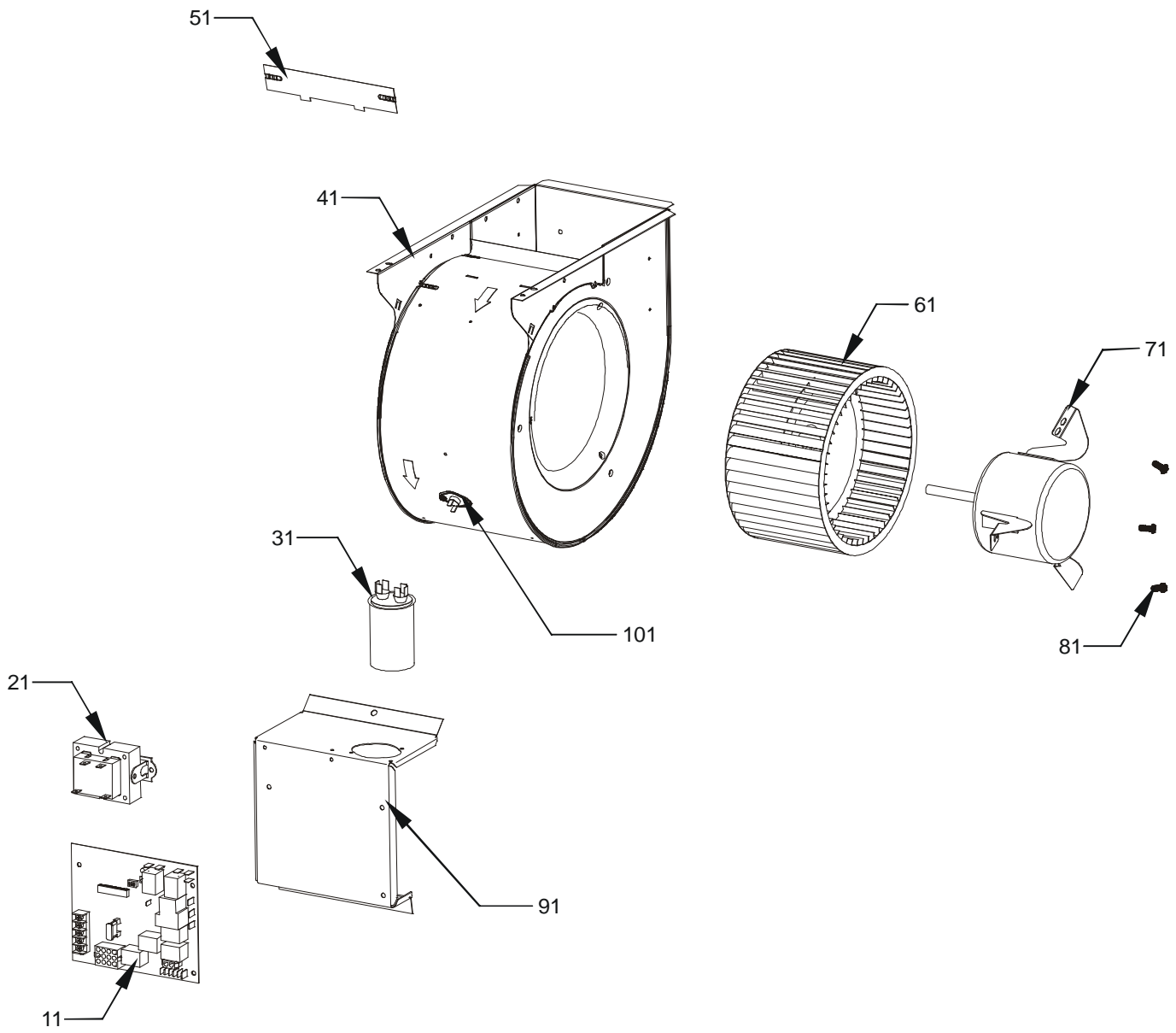
Collector Box Assy



Collector Box Assy

Ref. Part No:	Description:	Ref. Part No:	Description:
<i>Image 1:</i>		Expanded Model Nomenclature	
11	0131M00002P VENT MOTOR	M1	- GMS80403ANBB
21	0128F00006 CHIMNEY TRANSITION BOTTOM	M2	- GMS80403ANBC
31	0154F00003 VENT MOTOR GASKET 14" (M1, M2, M3, M4, M5, M6, M7, M8)	M3	- GMS80403AXBB
31	0154F00004 VENT MOTOR GASKET 17.5" (M9, M10, M11, M12, M13, M14, M15, M16)	M4	- GMS80403AXBC
31	0154F00005 VENT MOTOR GASKET 21" (M17, M18, M19, M20, M21, M22, M23, M24)	M5	- GMS80603ANBB
31	0154F00006 VENT MOTOR GASKET 24.5" (M25, M26, M27, M28, M29, M30)	M6	- GMS80603ANBC
41	4023500 CHIMNEY TRANSITION TOP	M7	- GMS80603AXBB
51	0121F00333 FLUE COLLECTOR BOX 21" 2.25 DIA (M17, M18, M19, M20, M21, M22, M23, M24)	M8	- GMS80603AXBC
51	0121F00330 FLUE COLLECTOR BOX 24.5" 2.125" DIA (M25, M26, M27, M28)	M9	- GMS80604BNBB
51	0121F00126 FLUE COLLECTOR BOX KIT 14" 1.25 DIA (M1, M2, M3, M4)	M10	- GMS80604BNBC
51	0121F00198 FLUE COLLECTOR BOX KIT 14" 1.75 DIA (M5, M6, M7, M8)	M11	- GMS80604BXBB
51	0121F00128 FLUE COLLECTOR BOX KIT 17.5" 1.75 DIA (M9, M10, M11, M12, M13, M14, M15, M16)	M12	- GMS80604XBC
51	0121F00131 FLUE COLLECTOR BOX KIT 24.5" 3.5 DIA (M29, M30)	M13	- GMS80804BNBB
201	DY6.186.070 VENT MOTOR CAPACITOR	M14	- GMS80804BNBC
		M15	- GMS80804BXBB
		M16	- GMS80804BXBC
		M17	- GMS80805CNBB
		M18	- GMS80805CNBC
		M19	- GMS80805CXBB
		M20	- GMS80805CXBC
		M21	- GMS81005CNBB
		M22	- GMS81005CNBC
		M23	- GMS81005CXBB
		M24	- GMS81005CXBC
		M25	- GMS81205DNBB
		M26	- GMS81205DNBC
		M27	- GMS81205DXBB
		M28	- GMS81205DXBC
		M29	- GMS81405DNCD
		M30	- GMS81405DNCE

Blower and Control Panel



Blower and Control Panel

Ref. Part No: No:	Description:	Ref. Part No: No:	Description:
Image 1:		Expanded Model Nomenclature	
11	PCBBF123S	IGNITION BOARD, HSI INTEGRATED (M1, M2, M3, M4, M5, M6, M7, M8, M9, M10, M11, M12, M13, M14, M15, M16, M17, M18, M19, M20, M21, M22, M23, M24, M25, M27, M29)	M1 - GMS80403ANBB M2 - GMS80403ANBC M3 - GMS80403AXBB M4 - GMS80403AXBC M5 - GMS80603ANBB M6 - GMS80603ANBC M7 - GMS80603AXBB M8 - GMS80603AXBC M9 - GMS80604BNBB M10 - GMS80604BNBC M11 - GMS80604BXBB M12 - GMS80604BXBC M13 - GMS80804BNBB M14 - GMS80804BNBC M15 - GMS80804BXBB M16 - GMS80804BXBC M17 - GMS80805CNBB M18 - GMS80805CNBC M19 - GMS80805CXBB M20 - GMS80805CXBC M21 - GMS81005CNBB M22 - GMS81005CNBC M23 - GMS81005CXBB M24 - GMS81005CXBC M25 - GMS81205DNBB M26 - GMS81205DNBC M27 - GMS81205DXBB M28 - GMS81205DXBC M29 - GMS81405DNCD M30 - GMS81405DNCE
11	PCBBF134	IGNITION BOARD, HSI INTEGRATED (M26, M28, M30)	
21	0130M00140	TRANSFORMER 120V TO 24V, 40VA	
31	CAP125000370CP	CAP, 12.5 MFD/370V/ RD (M1, M2, M3, M4, M5, M6, M7, M8)	
31	CAP200000370CP	CAP, 20 MFD/370V/ RD (M9, M10, M11, M12, M13, M14, M15, M16, M17, M18, M19, M20, M21, M22, M23, M24)	
31	CAP250000370CP	CAP, 25 MFD/370V/ RD (M25, M26, M27, M28, M29, M30)	
41	2539307	BLOWER HOUSING 10 X 10 (M17, M18, M19, M20, M21, M22, M23, M24, M25, M26, M27, M28, M29, M30)	
41	2539305	BLOWER HOUSING 10 X 6 (M1, M2, M3, M4, M5, M6, M7, M8)	
41	2539306	BLOWER HOUSING 10 X 8 (M9, M10, M11, M12, M13, M14, M15, M16)	
51	764741	BLOWER BLOCK-OFF 10 X 10 (M17, M18, M19, M20, M21, M22, M23, M24, M25, M26, M27, M28, M29, M30)	
51	764740	BLOWER BLOCK-OFF 10 X 8 (M9, M10, M11, M12, M13, M14, M15, M16)	
51	764739	BLOWER CUT-OFF 10 X 6 (M1, M2, M3, M4, M5, M6, M7, M8)	
61	B1368047	BLOWER WHEEL 10 X 10 (M17, M18, M19, M20, M21, M22, M23, M24)	
61	B1368034	BLOWER WHEEL 10 X 6 (M1, M2, M3, M4, M5, M6, M7, M8)	
61	B1368016	BLOWER WHEEL 10 X 8 (M9, M10, M11, M12, M13, M14, M15, M16)	
61	B1368000	BLOWER WHEEL 11 X 10 (M25, M26, M27, M28, M29, M30)	
71	0131F00022	BLOWER MOTOR 1/2 HP, 4 SP, 6 PL (M9, M10, M11, M12, M13, M14, M15, M16, M17, M18, M19, M20, M21, M22, M23, M24)	
71	20046618	BLOWER MOTOR 3/4 HP (M25, M26, M27, M28, M29, M30)	
71	0131F00027	BLOWER MOTOR, 1/3HP, 4SP, 6PL (M1, M2, M3, M4, M5, M6, M7, M8)	
81	M0250558	TC SCREW (QTY 3)	
91	1815817	CONTROL MOUNT PANEL	
101	0130F00038	AUX LIMIT - LT BLUE 120°	