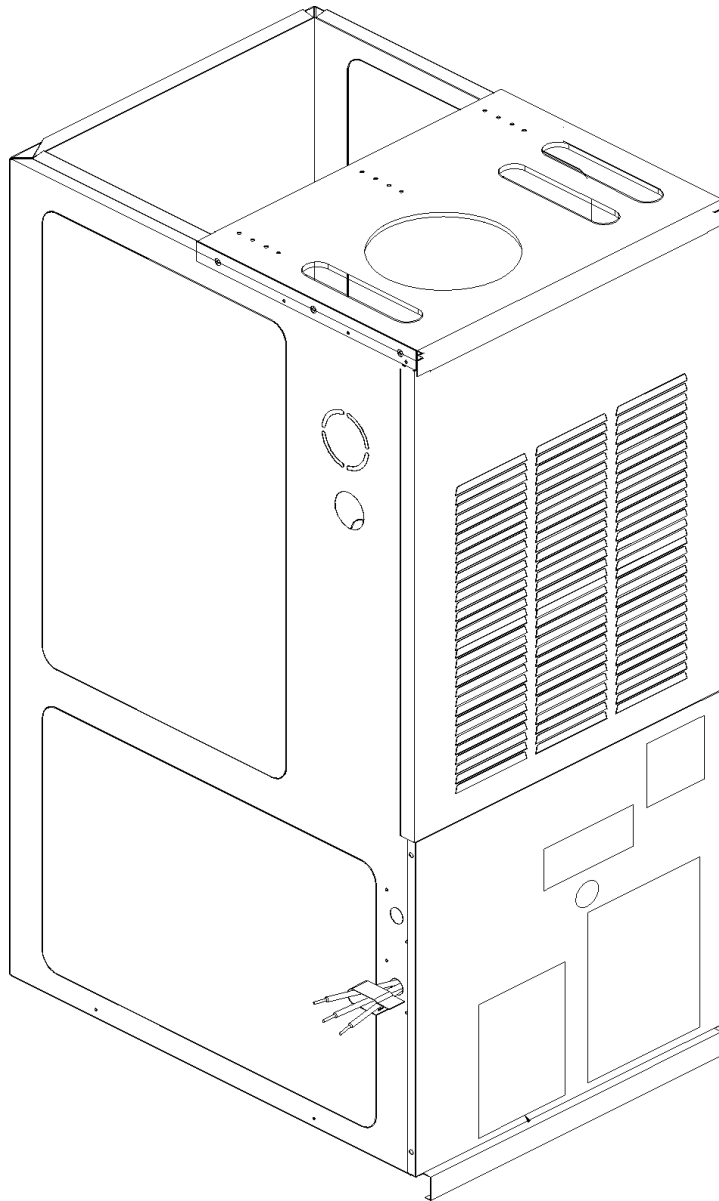


## GMPV SERIES Gas Furnace

GMPV075-1.5  
GMPV075-3  
GMPV100-3  
GMPV100-5  
GMPV125-3  
GMPV125-5



This manual is to be used by qualified technicians only.

© 1997-2008 Goodman Manufacturing Company, L.P. ♦ 5151 San Felipe, Suite 500 ♦ Houston, TX 77056

# Important Information

---

## Index

Functional Parts List .....	3
Illustration and Parts .....	4 - 11

*Views shown are for parts illustrations only, not servicing procedures.*

### Text Codes:

AR - As Required

NA - Not Available

NS - Not Shown

00000000 - See Note

QTY - Quantity Example (QTY 3) (If Quantity not shown, Quantity = 1)

M - Model Example (M1) (If M Code not shown, then part is used on all Models)

### Expanded Model Nomenclature:

Example M1 - Model#1 M2 - Model#2 M3 - Model#3
---

Goodman Manufacturing Company, L.P. is not responsible for personal injury or property damage resulting from improper service. Review all service information before beginning repairs.

Warranty service must be performed by an authorized technician, using authorized factory parts. If service is required after the warranty expires, Goodman Manufacturing Company, L.P. also recommends contacting an authorized technician and using authorized factory parts.

Goodman Manufacturing Company, L.P. reserves the right to discontinue, or change at any time, specifications or designs without notice or without incurring obligations.

For assistance within the U.S.A. contact:  
Consumer Affairs Department  
Goodman Manufacturing Company, L.P.  
7401 Security Way  
Houston, Texas 77040  
877-254-4729-Telephone  
713-863-2382-Facsimile

For assistance outside the U.S.A. contact:  
International Division  
Goodman Manufacturing Company, L.P.  
7401 Security Way  
Houston, Texas 77040  
713-861-2500-Telephone  
713-863-2382-Facsimile

# Functional Parts

## Part

## No: Description:

---

B1370133	AIR PRESSURE SWITCH (M1, M2)
B1370126	AIR PRESSURE SWITCH (M3, M4, M5, M6)
B1370155	AUXILIARY LIMIT SWITCH 120°F
B13400903GB	BLOWER MOTOR 1 HP (M3, M4, M5, M6)
B13400902GB	BLOWER MOTOR 1/2 HP (M1, M2)
0130F00010	FLAME SENSOR
B1401018S	IGNITOR
1370911S	PRIMARY LIMIT SWITCH 220°F (M1, M2)
1370912S	PRIMARY LIMIT SWITCH 240°F (M5, M6)
1370903S	PRIMARY LIMIT SWITCH 240°F (M3, M4)
B1370154	ROLL OUT SWITCH, 350° W/O BRKT. (QTY 4)
B1368260	TERMINAL BOARD
B1141605	TRANSFORMER 120V TO 24V, 40 VA
B1859005S	VENT MOTOR & HOUSING

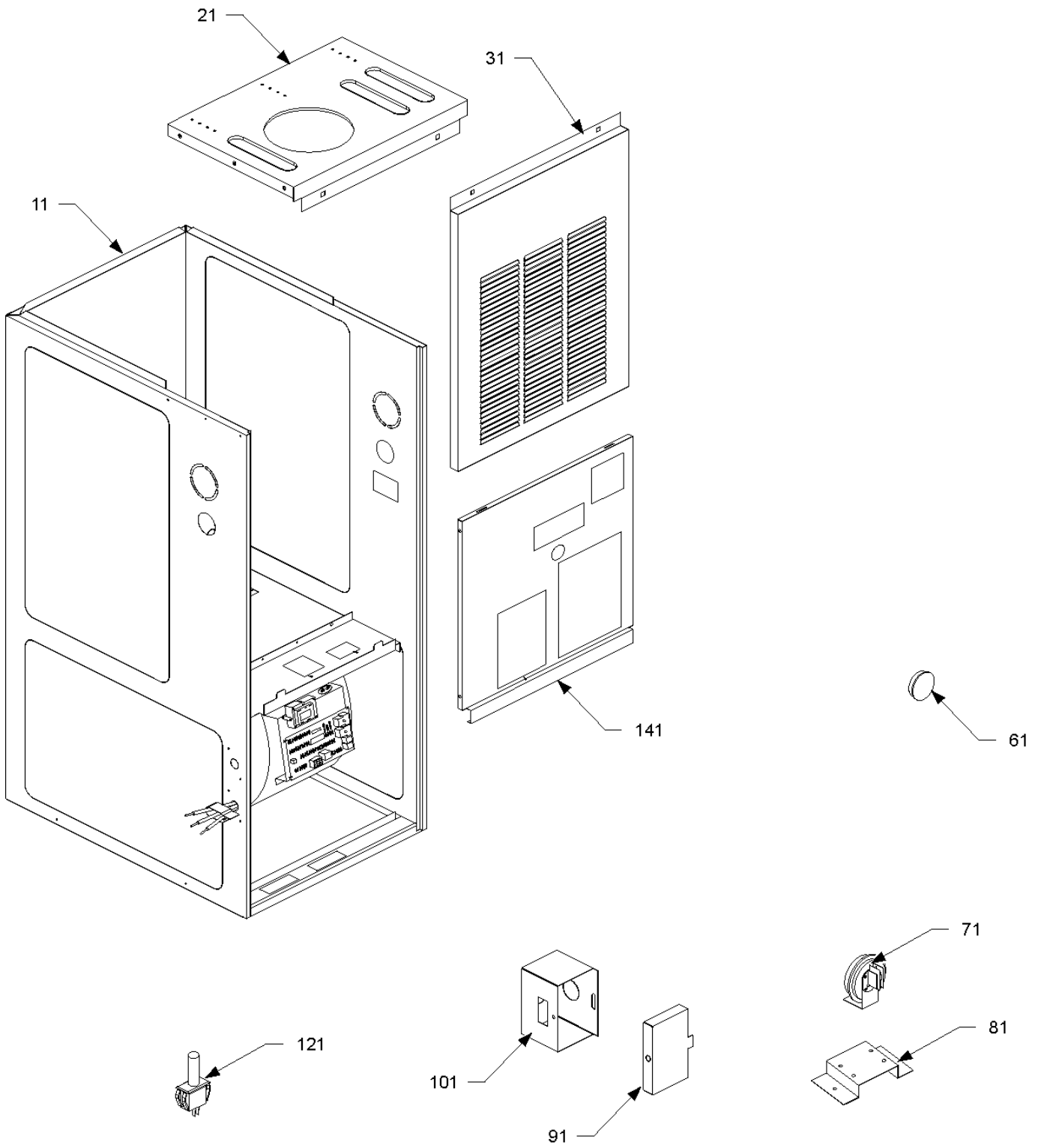
## SPECIAL PARTS

RP-535 REPAIR PARTS MANUAL

### Expanded Model Nomenclature

M1 - GMPV075-1.5
M2 - GMPV075-3
M3 - GMPV100-3
M4 - GMPV100-5
M5 - GMPV125-3
M6 - GMPV125-5

# Cabinet Assy



# Cabinet Assy

Ref. Part No:	No:	Description:	Ref. Part No:	No:	Description:
<i>Image 1:</i>					
11	2516501S	WRAPPER 17" (M1, M2)			
11	2516502S	WRAPPER 21" (M3, M4, M5, M6)			
21	2508502P	TOP 17" (M3, M4, M5, M6)			
21	2508001P	TOP 17" [OBSOLETE] (M1, M2)			
21	2508002P	TOP 21" (M3, M4, M5, M6)			
21	2558505	TOP PANEL DOWNFLOW 17.5" (M1, M2)			
31	2512501S	CONTROL ACCESS DOOR 17" (M1, M2)			
31	2512502S	CONTROL ACCESS DOOR 21" (M3, M4, M5, M6)			
61	B1392139	VIEW PORT BUSHING-BLOWER DOOR			
71	B1370126	AIR PRESSURE SWITCH (M3, M4, M5, M6)			
71	B1370133	AIR PRESSURE SWITCH (M1, M2)			
81	2509502	BRACKET, AIR PRESSURE SWITCH			
91	2515501	J-BOX COVER			
101	2514501	J-BOX [OBSOLETE]			
121	B1370820	DOOR SWITCH			
141	2515006S	BLOWER ACCESS DOOR 17" W/VIEW PORT (M3, M4, M5, M6)			
141	0221F00032PBB	BLOWER ACCESS DOOR 17.5" (M1, M2)			
NS	B1392132	1/4" TURN NYLATCH (QTY 2)			
NS	2524001	DUCT ANGLE 17.5" (M1, M2)			
NS	2524002	DUCT ANGLE 21" (M3, M4, M5, M6)			

## Expanded Model Nomenclature

- |                  |
|------------------|
| M1 - GMPV075-1.5 |
| M2 - GMPV075-3   |
| M3 - GMPV100-3   |
| M4 - GMPV100-5   |
| M5 - GMPV125-3   |
| M6 - GMPV125-5   |

# Control Panel/Blower Assy

Image 1

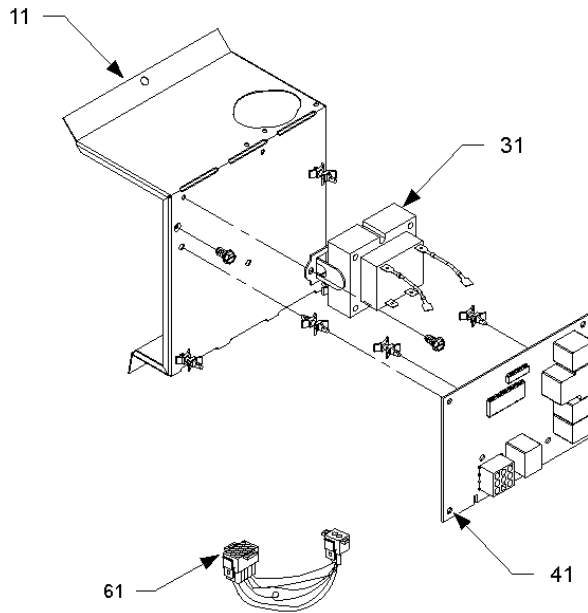
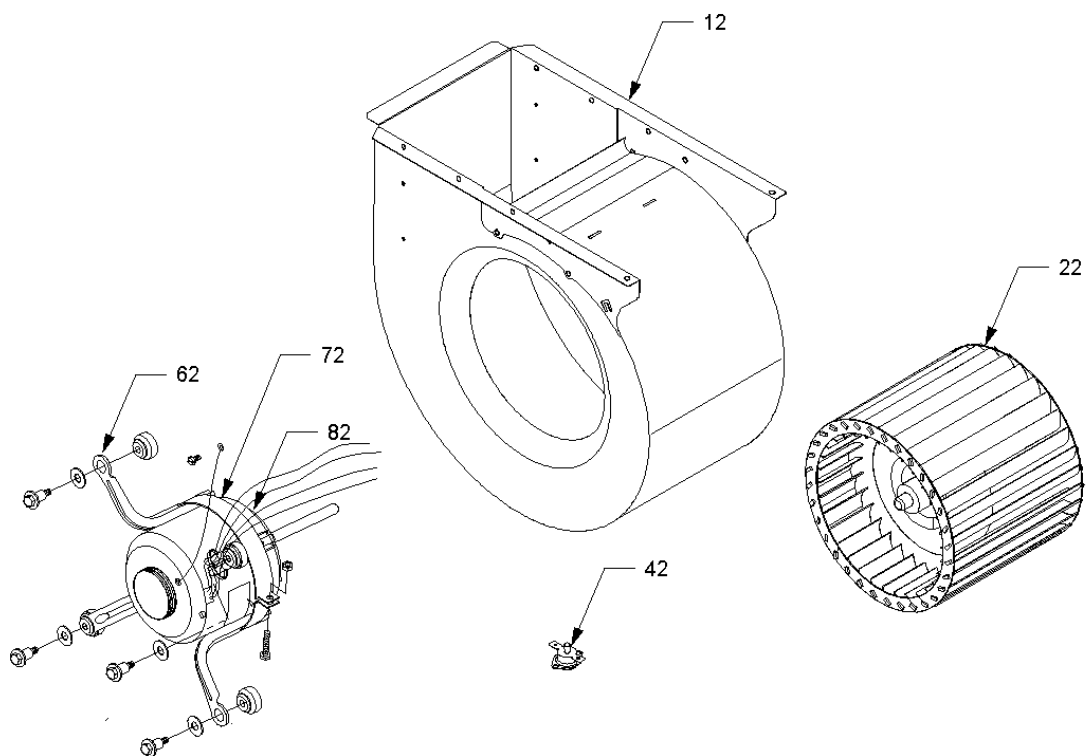


Image 2



# Control Panel/Blower Assy

Ref. Part No:	Part No:	Description:	Ref. Part No:	Part No:	Description:
---------------	----------	--------------	---------------	----------	--------------

*Image 1:*

11	0121F00080	CONTROL PANEL MOUNT
31	B1141605	TRANSFORMER 120V TO 24V, 40 VA
41	B1809913S	HSI MODULE W/HARNESS
61	B1378702	WIRE HARNESS, HIGH VOLTAGE
61	B1378703	WIRE HARNESS, LOW VOLTAGE
NS	2517003	CONTROL PANEL COVER
NS	B1368260	TERMINAL BOARD

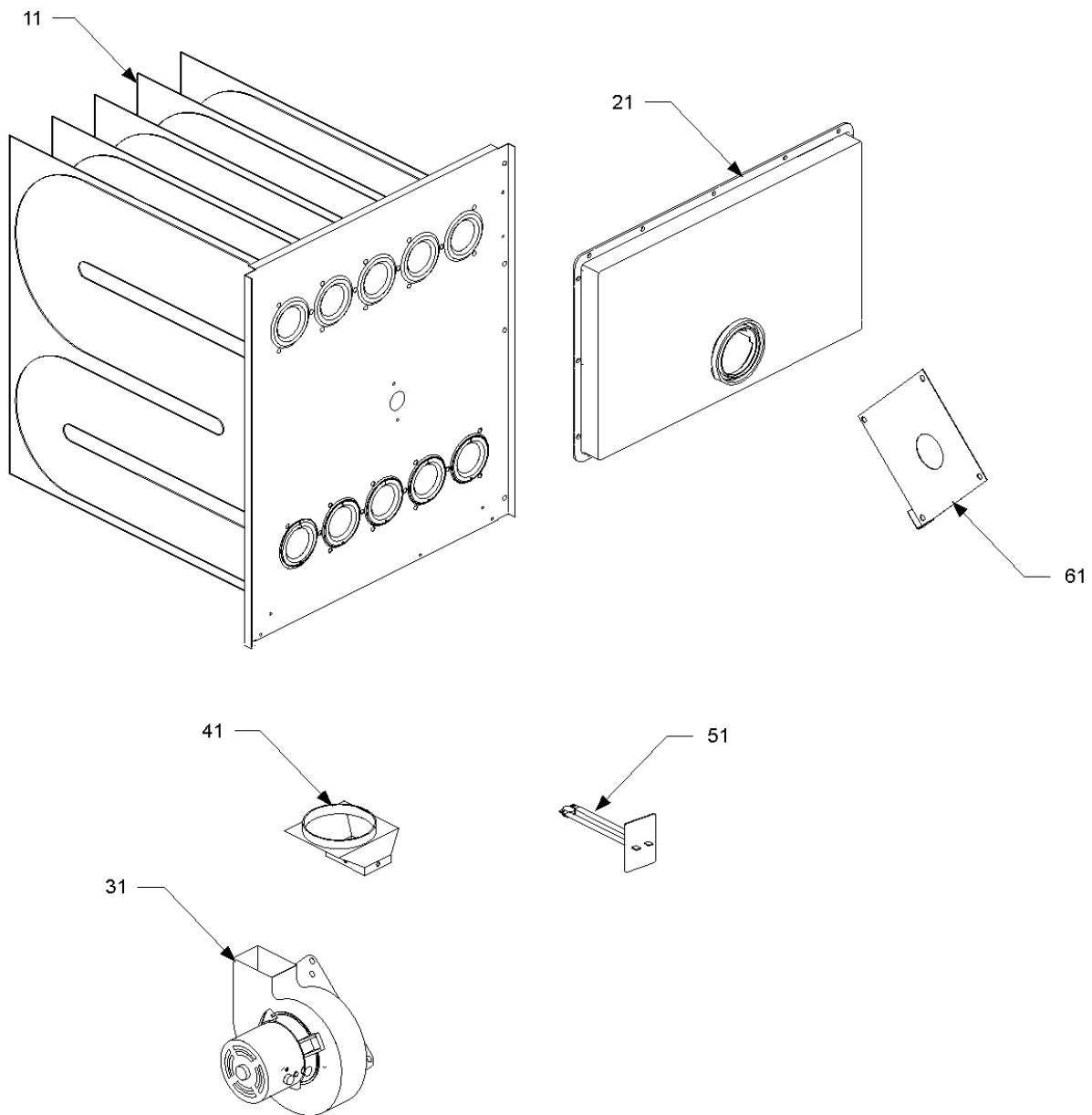
*Image 2:*

12	2539302S	BLOWER HOUSING 11 X 10 (M3, M4, M5, M6)
12	2539301S	BLOWER HOUSING ASSY (M1, M2)
22	B1368016S	BLOWER WHEEL 10 X 8 (M1, M2)
22	B1368000S	BLOWER WHEEL 11 X 10 (M3, M4, M5, M6)
42	B1370155	AUXILIARY LIMIT SWITCH 120°F
62	B1376853	MOTOR MOUNT ARM (M1, M2)
62	B1376857	MOTOR MOUNT ARM (M3, M4, M5, M6)
72	B1376851	MOTOR MOUNT BAND
82	B13400903GB	BLOWER MOTOR 1 HP (M3, M4, M5, M6)
82	B13400902GB	BLOWER MOTOR 1/2 HP (M1, M2)
NS	2568406	BLOWER WIRING HARNESS (M1, M2)
NS	2568408	BLOWER WIRING HARNESS (M3, M4, M5, M6)

Expanded Model Nomenclature

M1 - GMPV075-1.5
M2 - GMPV075-3
M3 - GMPV100-3
M4 - GMPV100-5
M5 - GMPV125-3
M6 - GMPV125-5

# Heat Exchanger Assy



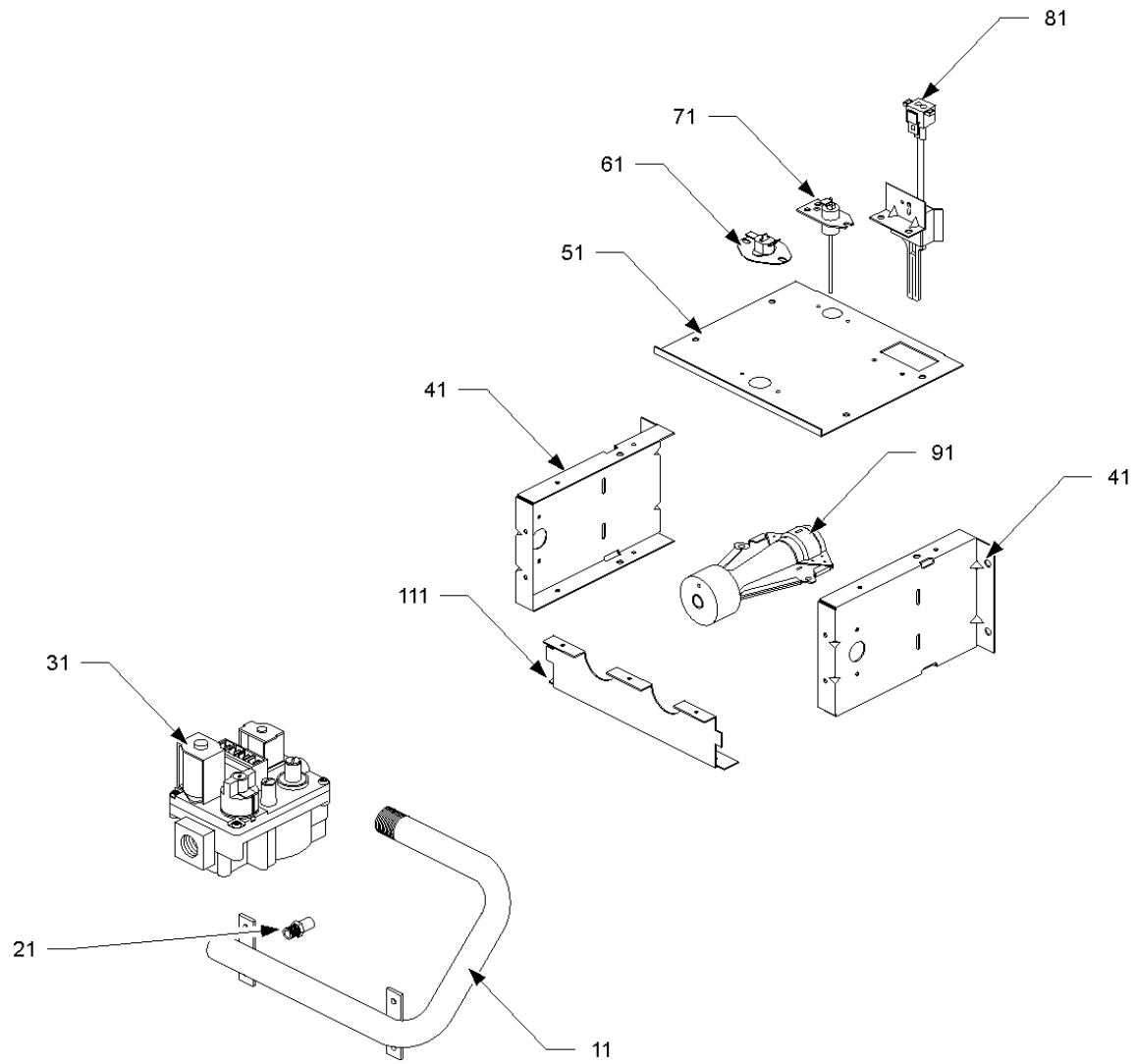
# Heat Exchanger Assy

Ref. Part No:	No:	Description:	Ref. Part No:	No:	Description:
<i>Image 1:</i>					
11	2521305S	SUB-ASSY, HEAT EXCHANGER 3 CL (M1, M2)			
11	2521306S	SUB-ASSY, HEAT EXCHANGER 4 CL (M3, M4)			
11	2521303S	SUB-ASSY, HEAT EXCHANGER 5 CL (M5, M6)			
21	2510001S	FLUE COLLECTOR BOX 17.5" (M1, M2)			
21	2510002S	FLUE COLLECTOR BOX 21" (M3, M4, M5, M6)			
31	B1859005S	VENT MOTOR & HOUSING			
41	4053501S	CHIMNEY			
51	1370911S	PRIMARY LIMIT SWITCH 220°F (M1, M2)			
51	1370903S	PRIMARY LIMIT SWITCH 240°F (M3, M4)			
51	1370912S	PRIMARY LIMIT SWITCH 240°F (M5, M6)			
61	2528007S	FLUE RESTRICTOR PLATE 1.688 DIA (M1, M2)			
61	2528002S	FLUE RESTRICTOR PLATE 2.125 DIA (M3, M4)			
61	2528003S	FLUE RESTRICTOR PLATE 2.250 DIA (M5, M6)			
NS	2568407	WIRE HARNESS, HEAT EXCHANGER (M1, M2)			
NS	2568409	WIRE HARNESS, HEAT EXCHANGER (M3, M4, M5, M6)			

## Expanded Model Nomenclature

- |                  |
|------------------|
| M1 - GMPV075-1.5 |
| M2 - GMPV075-3   |
| M3 - GMPV100-3   |
| M4 - GMPV100-5   |
| M5 - GMPV125-3   |
| M6 - GMPV125-5   |

# Burner Box Assy



# Burner Box Assy

Ref. Part No: No:	Description:	Ref. Part No: No:	Description:
-------------------	--------------	-------------------	--------------

Image 1:

11	B2526001	MANIFOLD - 3 BRNR (M1, M2)
11	B2526002	MANIFOLD - 4 BRNR (M3, M4)
11	B2526003	MANIFOLD - 5 BRNR (M5, M6)
21	B2589342	#42 ORIFICE (QTY 3)
31	B1282628	GAS VALVE (36G)
41	2514000	BURNER BOX SIDE (QTY 2)
51	2513001	BURNER BOX TOP, 3 CELL (M1, M2)
51	2513002	BURNER BOX TOP, 4 CELL [OBSOLETE] (M3, M4)
51	2513003	BURNER BOX TOP, 5 CELL (M5, M6)
61	B1370154	ROLL OUT SWITCH, 350° W/O BRKT. (QTY 4)
71	0130F00010	FLAME SENSOR
81	B1401018S	IGNITOR
91	2522703S	INSHOT BURNER ASSY [OBSOLETE] (QTY 3)
111	2513501	BURNER BRACKET 3B (M1, M2)
111	2513502	BURNER BRACKET 4B (M3, M4)
111	2513503	BURNER BRACKET 5B (M5, M6)

Expanded Model Nomenclature

M1 - GMPV075-1.5
M2 - GMPV075-3
M3 - GMPV100-3
M4 - GMPV100-5
M5 - GMPV125-3
M6 - GMPV125-5

