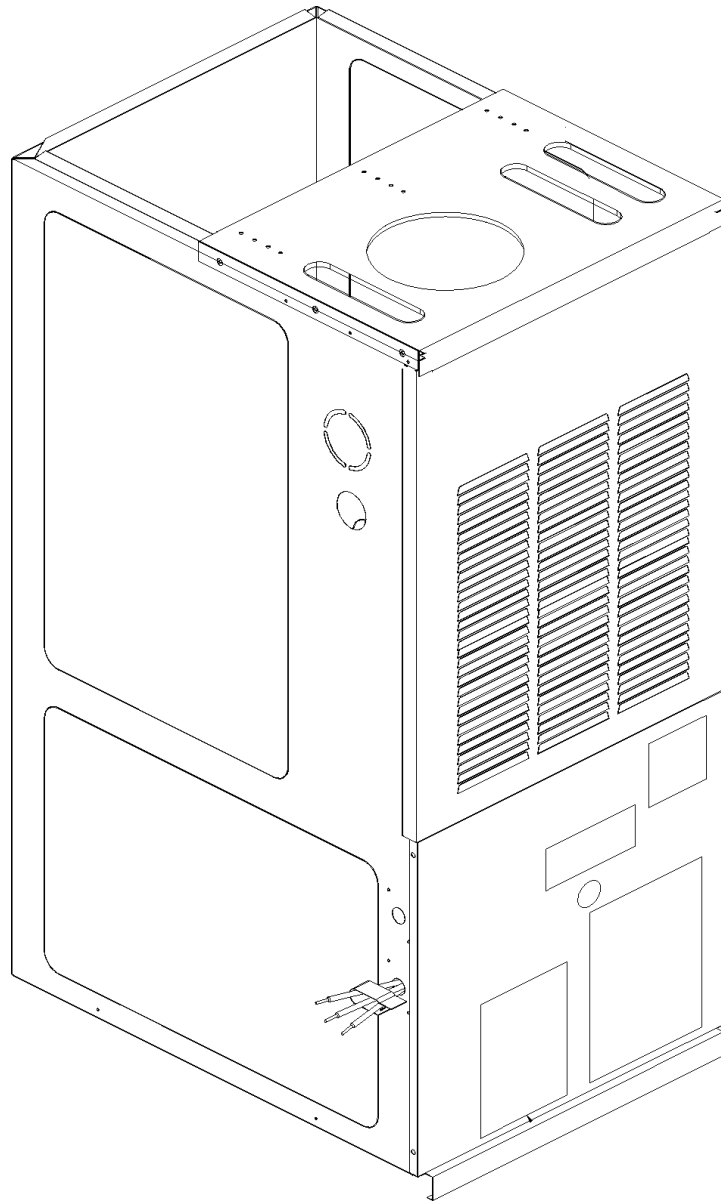


GMPE 80% Gas Furnace

GMPE075-3
GMPE075-3A
GMPE100-4
GMPE100-4A
GMPE125-5
GMPE125-5A



This manual is to be used by qualified technicians only.

This manual replaces RP-434A.

© 2008 Goodman Manufacturing Company, L.P. ♦ 5151 San Felipe, Suite 500 ♦ Houston, TX 77056

Important Information

Index

Functional Parts List	3
Illustration and Parts	4 - 9

Views shown are for parts illustrations only, not servicing procedures.

Rev. B: Corrected heat exchanger part number for GMPE075-3. Changed 2521301S to 2821300S.

Text Codes:

AR - As Required

NA - Not Available

NS - Not Shown

00000000 - See Note

QTY - Quantity Example (QTY 3) (If Quantity not shown, Quantity = 1)

M - Model Example (M1) (If M Code not shown, then part is used on all Models)

Expanded Model Nomenclature:

Example
M1 - Model#1
M2 - Model#2
M3 - Model#3

Goodman Manufacturing Company, L.P. is not responsible for personal injury or property damage resulting from improper service. Review all service information before beginning repairs.

Warranty service must be performed by an authorized technician, using authorized factory parts. If service is required after the warranty expires, Goodman Manufacturing Company, L.P. also recommends contacting an authorized technician and using authorized factory parts.

Goodman Manufacturing Company, L.P. reserves the right to discontinue, or change at any time, specifications or designs without notice or without incurring obligations.

For assistance within the U.S.A. contact:
Consumer Affairs Department
Goodman Manufacturing Company, L.P.
7401 Security Way
Houston, Texas 77040
877-254-4729-Telephone
713-863-2382-Facsimile

For assistance outside the U.S.A. contact:
International Division
Goodman Manufacturing Company, L.P.
7401 Security Way
Houston, Texas 77040
713-861-2500-Telephone
713-863-2382-Facsimile

Functional Parts

Part

No: Description:

0130M00025S	24V RELAY
B1370155	AUXILIARY LIMIT SWITCH 120°F
B13400903GA	BLOWER MOTOR 1 HP (M5)
B13400903GB	BLOWER MOTOR 1 HP (M6)
B13400902GA	BLOWER MOTOR 1/2 HP (M1)
B13400902GB	BLOWER MOTOR 1/2 HP (M2)
B13400904GB	BLOWER MOTOR 3/4 HP (M3, M4)
PCBEM102S	ECM PRIMARY BOARD (M2, M4, M6)
B1368271	ECM SECONDARY BOARD (M2, M4, M6)
0151F00000P	GAS VALVE HSI (2-STAGE NAT)
B1809913S	HSI BOARD W/9-PIN CONNECTOR
B1401018S	IGNITOR
B1141665	INDUCTOR-12 AMP (M5, M6)
B1141666	INDUCTOR-5.9 AMP (M3, M4)
1370908S	PRIMARY LIMIT SWITCH 160°F (M5, M6)
1370910S	PRIMARY LIMIT SWITCH 170°F (M1, M2)
1370912S	PRIMARY LIMIT SWITCH 240°F (M3, M4)
B1370154	ROLL OUT SWITCH, 350° W/O BRKT.
B1368260	TERMINAL BOARD (M1, M3, M5)
B1141605	TRANSFORMER 120V TO 24V, 40 VA
B1859005S	VENT MOTOR & HOUSING

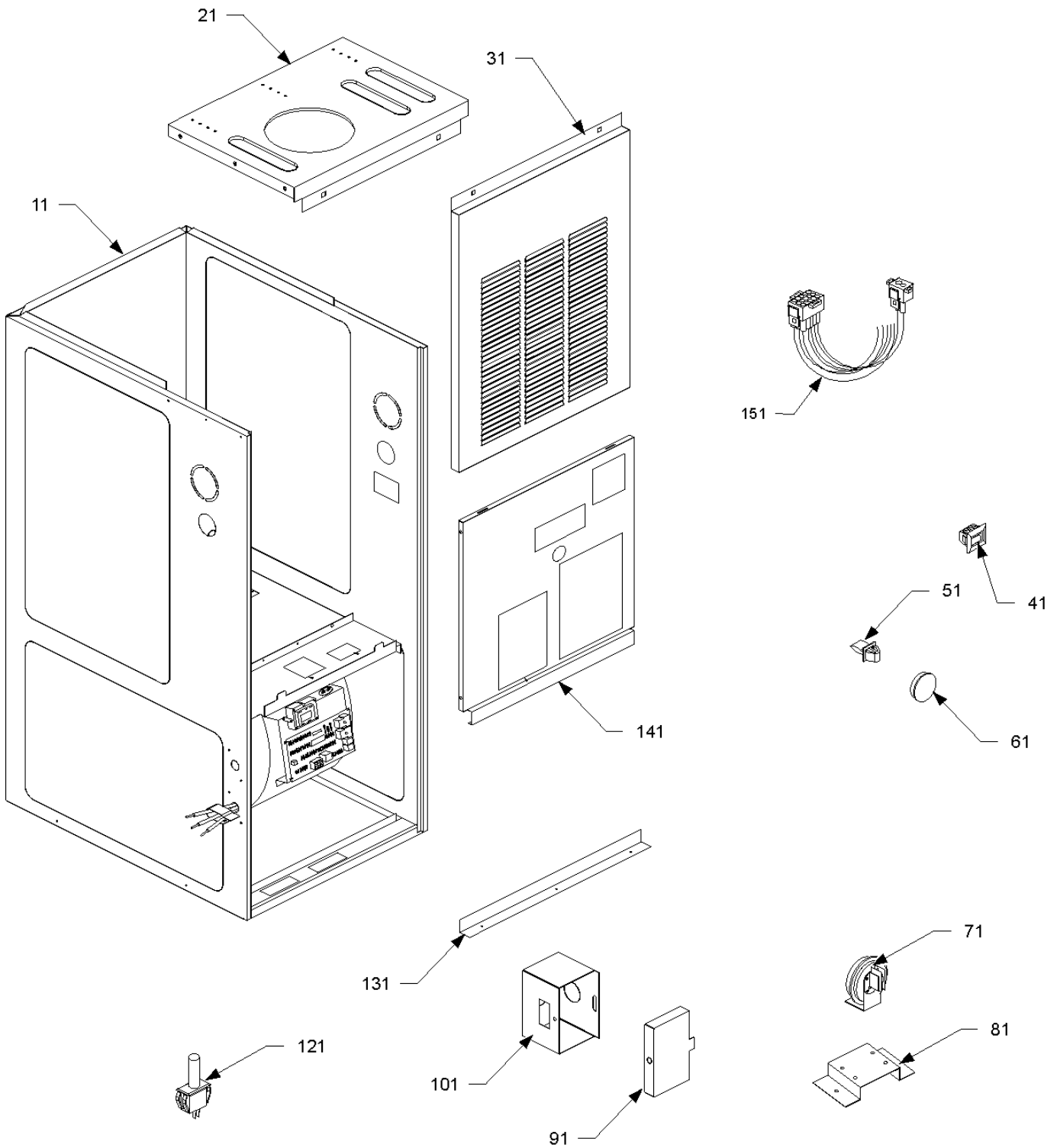
SPECIAL PARTS

IO-597	INSTALLATION INSTRUCTIONS (M2, M4, M6)
IO-137H	INSTALLATION INSTRUCTIONS (M1, M3, M5)
IO-605	LIGHTING INSTRUCTIONS, W/36G (M1, M3, M5)
RP-434B	REPAIR PARTS MANUAL
IO-604	SPECIAL INSTRUCTIONS-36G VALVE (M1, M3, M5)
IO-586	SPECIAL INSTRUCTIONS-GMPE (M1, M3, M5)
HI-111CE	USERS MANUAL

Expanded Model Nomenclature

M1 - GMPE075-3
M2 - GMPE075-3A
M3 - GMPE100-4
M4 - GMPE100-4A
M5 - GMPE125-5
M6 - GMPE125-5A

Cabinet Assy



Cabinet Assy

Ref. Part No: No:	Description:	Ref. Part No: No:	Description:
-------------------	--------------	-------------------	--------------

Image 1:

11	2516513S	WRAPPER 17.5" (M1, M2)
11	2516514S	WRAPPER 21" (M3, M4, M5, M6)
21	0221F00024PDG	TOP PANEL 17.5" (M1, M2)
21	0221F00025PDG	TOP PANEL 21" (M3, M4, M5, M6)
31	0221F00032PBB	BLOWER ACCESS DOOR 17.5" (M1, M2)
31	0221F00033PBB	BLOWER ACCESS DOOR 21.0" (M3, M4, M5, M6)
41	B1392146	DOOR CATCH (QTY 2)
51	B1392148	DOOR STRIKE (QTY 2)
61	B1392139	VIEW PORT BUSHING-BLOWER DOOR
71	B1370126	AIR PRESSURE SWITCH (M3, M4, M5, M6)
71	B1370133	AIR PRESSURE SWITCH (M1, M2)
81	2509502	BRACKET, AIR PRESSURE SWITCH (M2, M3, M4, M6)
91	2515501	J-BOX COVER
101	2514501	J-BOX [OBSOLETE]
121	B1370820	DOOR SWITCH
131	2524001	DUCT ANGLE 17.5" (M1, M2)
131	2524002	DUCT ANGLE 21" (M3, M4, M5, M6)
141	0221F00028PDG	CONTROL ACCESS DOOR 17.5" (M1, M2)
141	0221F00029PDG	CONTROL ACCESS DOOR 21.0" (M3, M4, M5, M6)
151	2578404S	WIRE HARNESS KIT

Expanded Model Nomenclature

M1 - GMPE075-3
M2 - GMPE075-3A
M3 - GMPE100-4
M4 - GMPE100-4A
M5 - GMPE125-5
M6 - GMPE125-5A

Control Panel/Blower Assy

Image 1

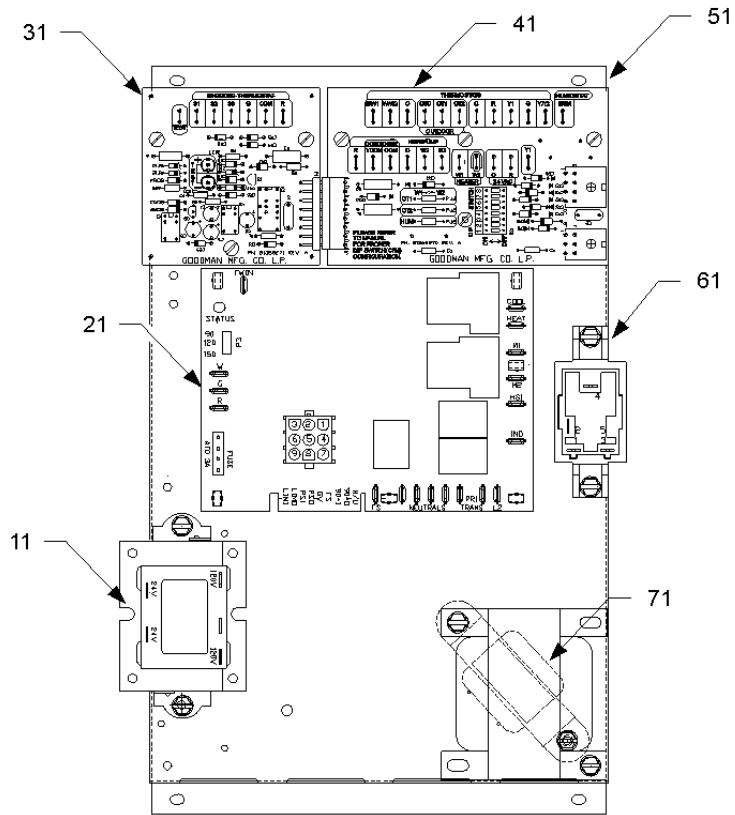
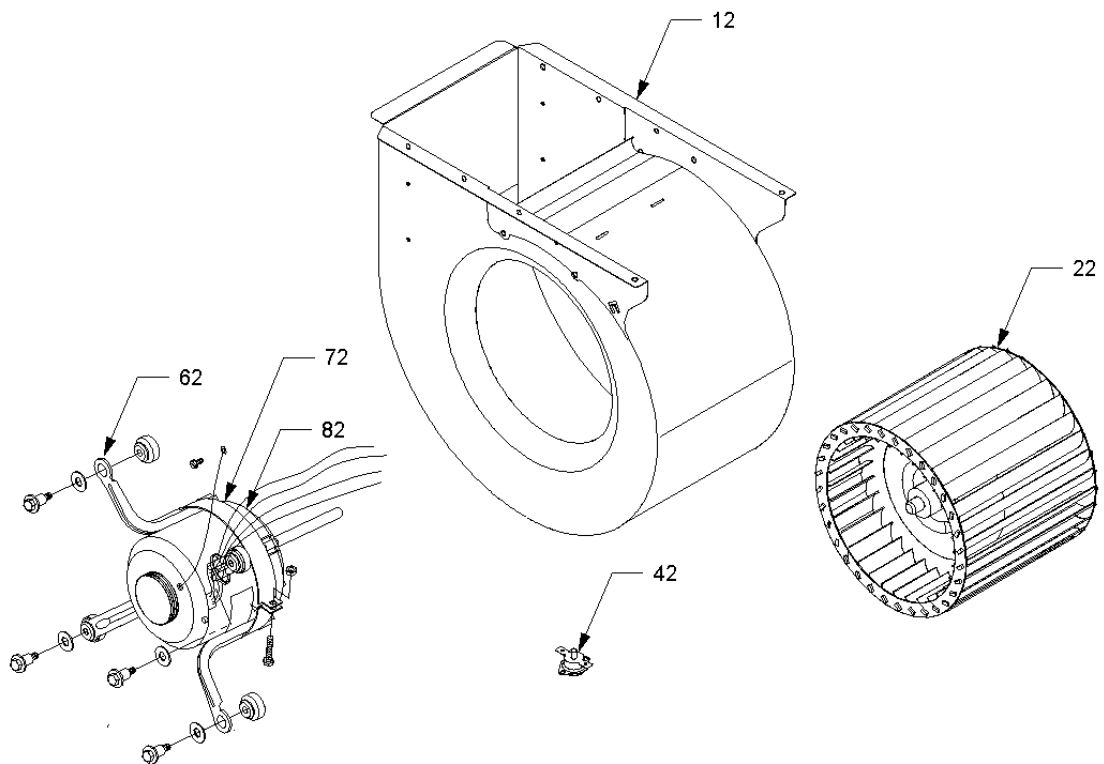


Image 2



Control Panel/Blower Assy

Ref. Part No: No:	Description:	Ref. Part No: No:	Description:
-------------------	--------------	-------------------	--------------

Image 1:

11	B1141605	TRANSFORMER 120V TO 24V, 40 VA
21	B1809913S	HSI BOARD W/9-PIN CONNECTOR
31	B1368271	ECM SECONDARY BOARD (M2, M4, M6)
41	PCBEM102S	ECM PRIMARY BOARD (M2, M4, M6)
51	0121F00080	CONTROL MOUNT PANEL
61	0130M00025S	24V RELAY
71	B1141665	INDUCTOR-12 AMP (M5, M6)
71	B1141666	INDUCTOR-5.9 AMP (M3, M4)
NS	2868411	2-PIN WIRE HARNESS ASSY-GMPN
NS	B1368260	TERMINAL BOARD (M1, M3, M5)

Image 2:

12	2539306S	BLOWER HOUSING 10 X 8 (M1, M2)
12	2539302S	BLOWER HOUSING 11 X 10 (M3, M4, M5, M6)
22	D6723306S	BLOWER WHEEL (M3, M4)
22	B1368016S	BLOWER WHEEL 10 X 8 (M1, M2)
22	B1368000S	BLOWER WHEEL 11 X 10 (M5, M6)
42	B1370155	AUXILIARY LIMIT SWITCH 120°F
62	B1376853	MOTOR MOUNT ARM (M1, M2)
62	B1376857	MOTOR MOUNT ARM (M3, M4, M5, M6)
72	0121M00038	MOTOR MOUNT BAND
82	B13400903GA	BLOWER MOTOR 1 HP (M5)
82	B13400903GB	BLOWER MOTOR 1 HP (M6)
82	B13400902GA	BLOWER MOTOR 1/2 HP (M1)
82	B13400902GB	BLOWER MOTOR 1/2 HP (M2)
82	B13400904GB	BLOWER MOTOR 3/4 HP (M3, M4)
NS	13500902GBS	END BELL ASSY (M1, M2)
NS	13500903GBS	END BELL ASSY (M3, M4)
NS	3500904GBS	END BELL ASSY (M5, M6)
NS	B1378702	WIRE HARNESS, HIGH VOLTAGE
NS	B1378703	WIRE HARNESS, LOW VOLTAGE

Expanded Model Nomenclature

M1 - GMPE075-3
M2 - GMPE075-3A
M3 - GMPE100-4
M4 - GMPE100-4A
M5 - GMPE125-5
M6 - GMPE125-5A

Heat Exchanger Assy

Image 1

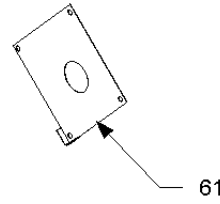
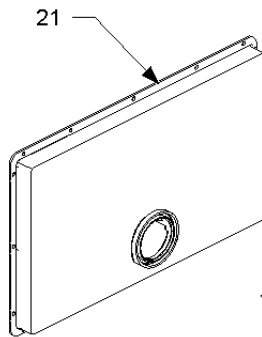
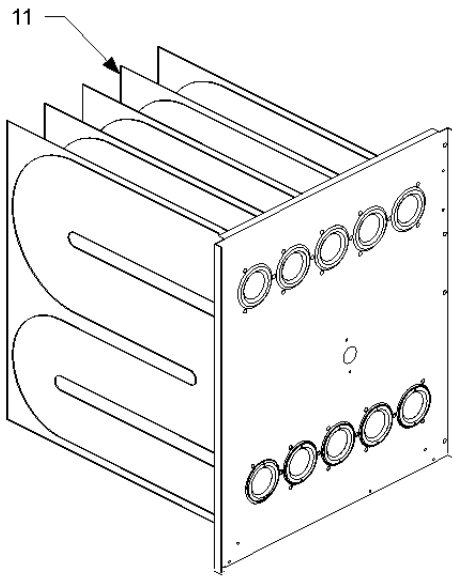
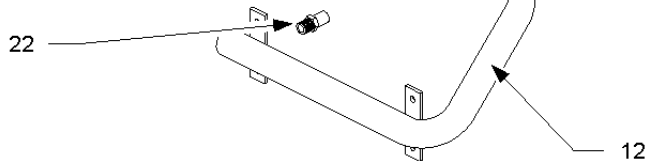
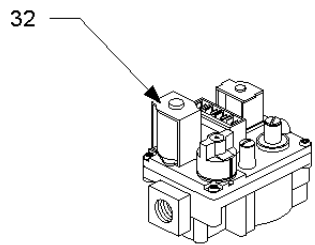
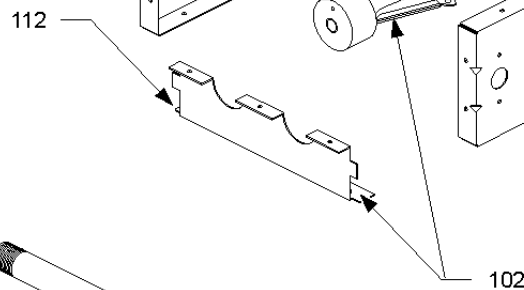
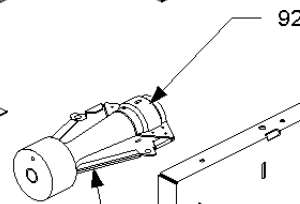
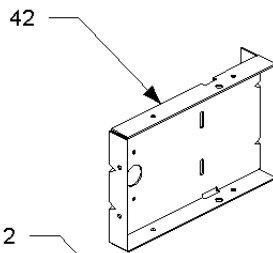
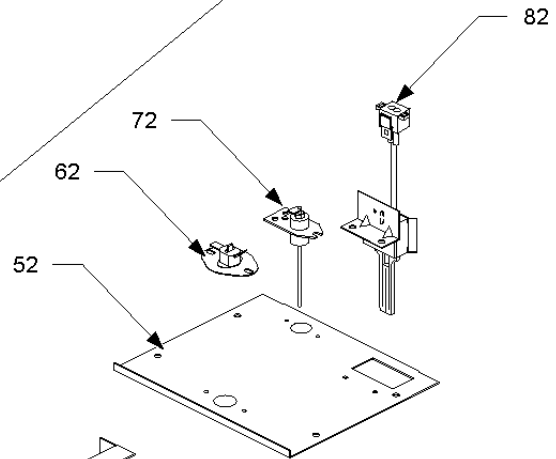
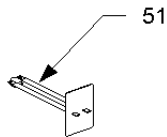
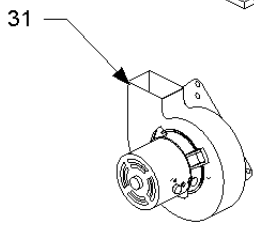
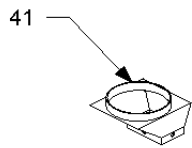


Image 2



Heat Exchanger Assy

Ref. Part No:	Part No:	Description:	Ref. Part No:	Part No:	Description:
---------------	----------	--------------	---------------	----------	--------------

Image 1:

11	2821300S	SUB-ASSY, HEAT EXCHANGER 3 CL (M1, M2)
11	2821301S	SUB-ASSY, HEAT EXCHANGER 4 CL (M3, M4)
11	2821302S	SUB-ASSY, HEAT EXCHANGER 5 CL (M5, M6)
21	2510001S	FLUE COLLECTOR BOX 17.5" (M1, M2)
21	2510002S	FLUE COLLECTOR BOX 21" (M3, M4, M5, M6)
31	B1859005S	VENT MOTOR & HOUSING
41	4053501S	CHIMNEY
51	1370908S	PRIMARY LIMIT SWITCH 160°F (M5, M6)
51	1370910S	PRIMARY LIMIT SWITCH 170°F (M1, M2)
51	1370912S	PRIMARY LIMIT SWITCH 240°F (M3, M4)
61	2528007S	FLUE RESTRICTOR PLATE 1.688 DIA (M1, M2)
61	2528002S	FLUE RESTRICTOR PLATE 2.125 DIA (M3, M4)
61	2528003S	FLUE RESTRICTOR PLATE 2.250 DIA (M5, M6)
NS	B1392705	PRESSURE SWITCH HOSE (QTY 2)

Image 2:

12	B2526001	MANIFOLD - 3 BRNR (M1, M2)
12	B2526002	MANIFOLD - 4 BRNR (M3, M4)
12	B2526003	MANIFOLD - 5 BRNR (M5, M6)
22	B2589342	#42 ORIFICE (QTY AR)
32	0151F00000P	GAS VALVE HSI (2-STAGE NAT)
42	2514000	BURNER BOX SIDE (QTY 2)
52	2513001	BURNER BOX TOP, 3 CELL (M1, M2)
52	2513002	BURNER BOX TOP, 4 CELL [OBSOLETE] (M3, M4)
52	2513003	BURNER BOX TOP, 5 CELL (M5, M6)
62	B1370154	ROLL OUT SWITCH, 350° W/O BRKT.
72	0130F00010	FLAME SENSOR
82	B1401018S	IGNITOR
92	B4022700	INSHOT BURNER ASSY 3" (QTY AR)
102	4022701S	BURNER RACK ASSY 3 CELL (M1, M2)
102	4022702S	BURNER RACK ASSY 4 CELL (M3, M4)
102	4022703S	BURNER RACK ASSY 5 CELL (M5, M6)
112	2513501	BURNER BRACKET 3B (M1, M2)
112	2513502	BURNER BRACKET 4B (M3, M4)
112	2513503	BURNER BRACKET 5B (M5, M6)

Expanded Model Nomenclature

- | |
|-----------------|
| M1 - GMPE075-3 |
| M2 - GMPE075-3A |
| M3 - GMPE100-4 |
| M4 - GMPE100-4A |
| M5 - GMPE125-5 |
| M6 - GMPE125-5A |

