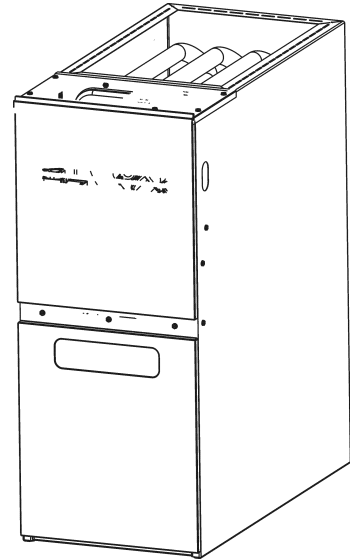




REPAIR PARTS

GMP 80% Multi-Position Furnace

GMP075-32EA
GMP075-32EB
GMP100-42EA
GMP100-42EB
GMP125-52EA
GMP125-52EB
GMP150-52EA
GMP150-52EB



This manual is to be used by qualified technicians only.

This manual replaces RP-596B.

© 2010, 2018 - 2019 Goodman Manufacturing Company, L.P. ♦ 19001 Kermier Rd. ♦ Waller, TX 77484

Important Information

Index

Functional Parts List	3
Illustration and Parts	4 - 9

Views shown are for parts illustrations only, not servicing procedures

Text Codes:

AR - As Required

NA - Not Available

NS - Not Shown

00000000 - See Note

QTY - Quantity Example (QTY 3) (If Quantity not shown, Quantity = 1)

M - Model Example (M1) (If M Code not shown, then part is used on all Models)

Expanded Model Nomenclature:

Example M1 - Model#1 M2 - Model#2 M3 - Model#3

Goodman Manufacturing Company, L.P. is not responsible for personal injury or property damage resulting from improper service. Review all service information before beginning repairs.

Warranty service must be performed by an authorized technician, using authorized factory parts. If service is required after the warranty expires, Goodman Manufacturing Company, L.P. also recommends contacting an authorized technician and using authorized factory parts.

Goodman Manufacturing Company, L.P. reserves the right to discontinue, or change at any time, specifications or designs without notice or without incurring obligations.

For assistance within the U.S.A. contact:
Homeowner Support
Goodman Manufacturing Company, L.P.
19001 Kermier Road
Waller, Texas 77484
877-254-4729-Telephone
713-863-2382-Facsimile

For assistance outside the U.S.A. contact:
International Division
Goodman Manufacturing Company, L.P.
19001 Kermier Road
Waller, Texas 77484
713-861-2500-Telephone
713-863-2382-Facsimile

Functional Parts

Part

No: Description:

B1370158	AIR PRESSURE SWITCH, LIME (M7, M8)
B1370142	AIR PRESSURE SWITCH, ORANGE (M2)
CAP150000370LAE	CAP, 15 MFD/370V/OVAL
B1401014	DIRECT SPARK IGNITOR-GMP 50HZ
0130F00010	FLAME SENSOR
10690402	INTERLOCK SWITCH
0130F00038	LIMIT, PRIMARY 120 LT BLUE
0130F00308	LIMIT, PRIMARY 130 DEG (M1, M2, M3, M4, M7, M8)
10123529	MANUAL RESET R.O.S. LIMIT (QTY 2)
0131F00045	MOTOR, BLOWER 1/2HP, 50HZ (M2, M4)
0131F00058	MOTOR, BLOWER, 1HP, 50HZ (M5, M6, M7, M8)
0131F00004	MOTOR, BLOWER, 3/4HP, 50HZ (M1, M3)
0131F00003	MOTOR, VENT 50HZ
PCBAM104	PCB, IGNITION, DSI, 50HZ, CE
PCBAM105	PCB, DSI, AUX, 50HZ, CE
0130F00037	PRIMARY LIMIT - GRAY 150° (M5, M6)
0130F00504	SWITCH, PRESSURE (M1, M4, M5, M6)
0130F00505	SWITCH, PRESSURE (M3)
B1141664	TRANSFORMER, 230V, 50HZ
0151F00001	VALVE, GAS HONEYWELL C50HZ

SPECIAL PARTS

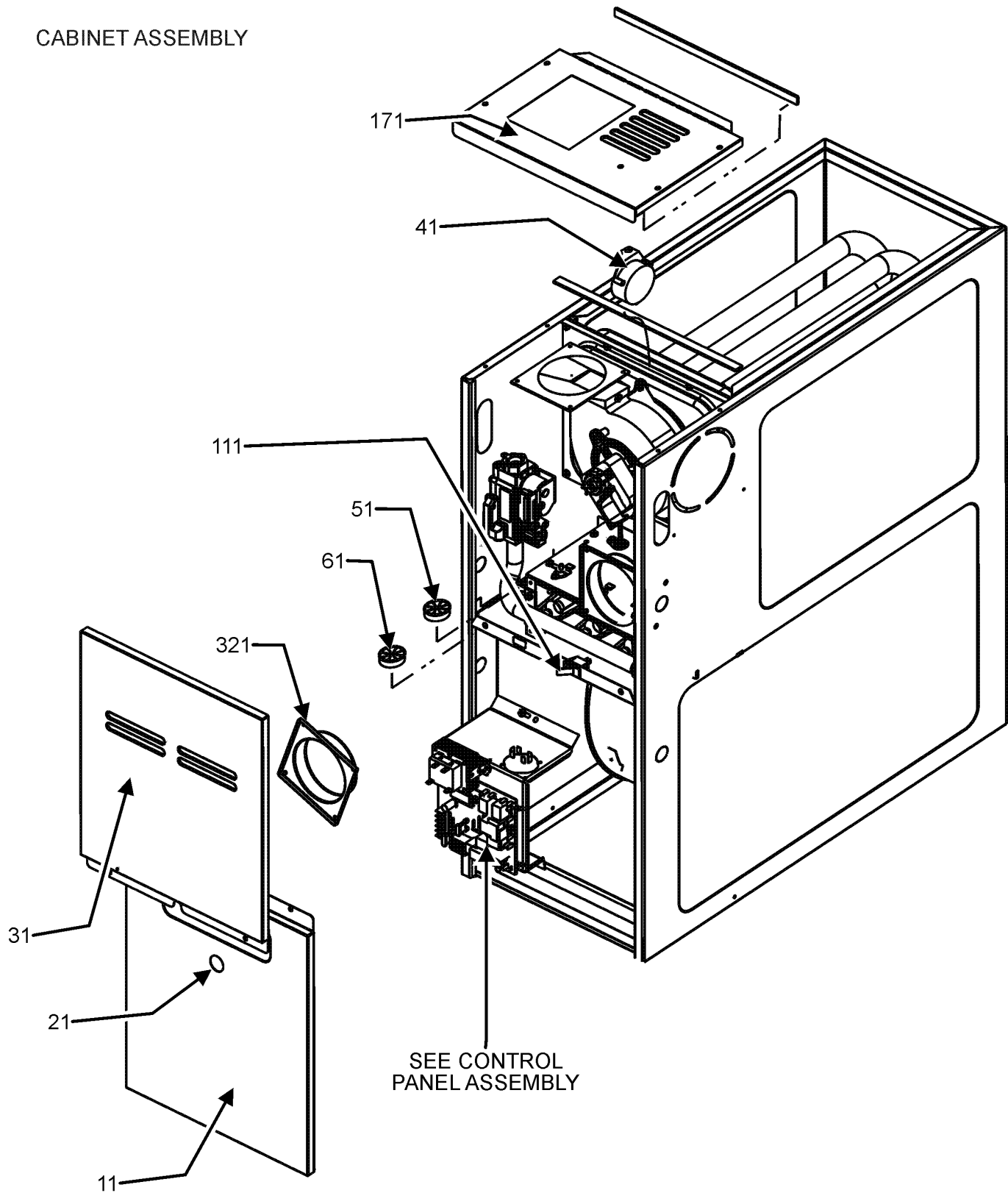
0161F00007	GOODMAN NAMEPLATE
------------	-------------------

Expanded Model Nomenclature

M1 - GMP075-32EA
M2 - GMP075-32EB
M3 - GMP100-42EA
M4 - GMP100-42EB
M5 - GMP125-52EA
M6 - GMP125-52EB
M7 - GMP150-52EA
M8 - GMP150-52EB

Cabinet Assembly

CABINET ASSEMBLY



Cabinet Assembly

Ref. Part No:	Part No:	Description:	Ref. Part No:	Part No:	Description:
---------------	----------	--------------	---------------	----------	--------------

Image 1:

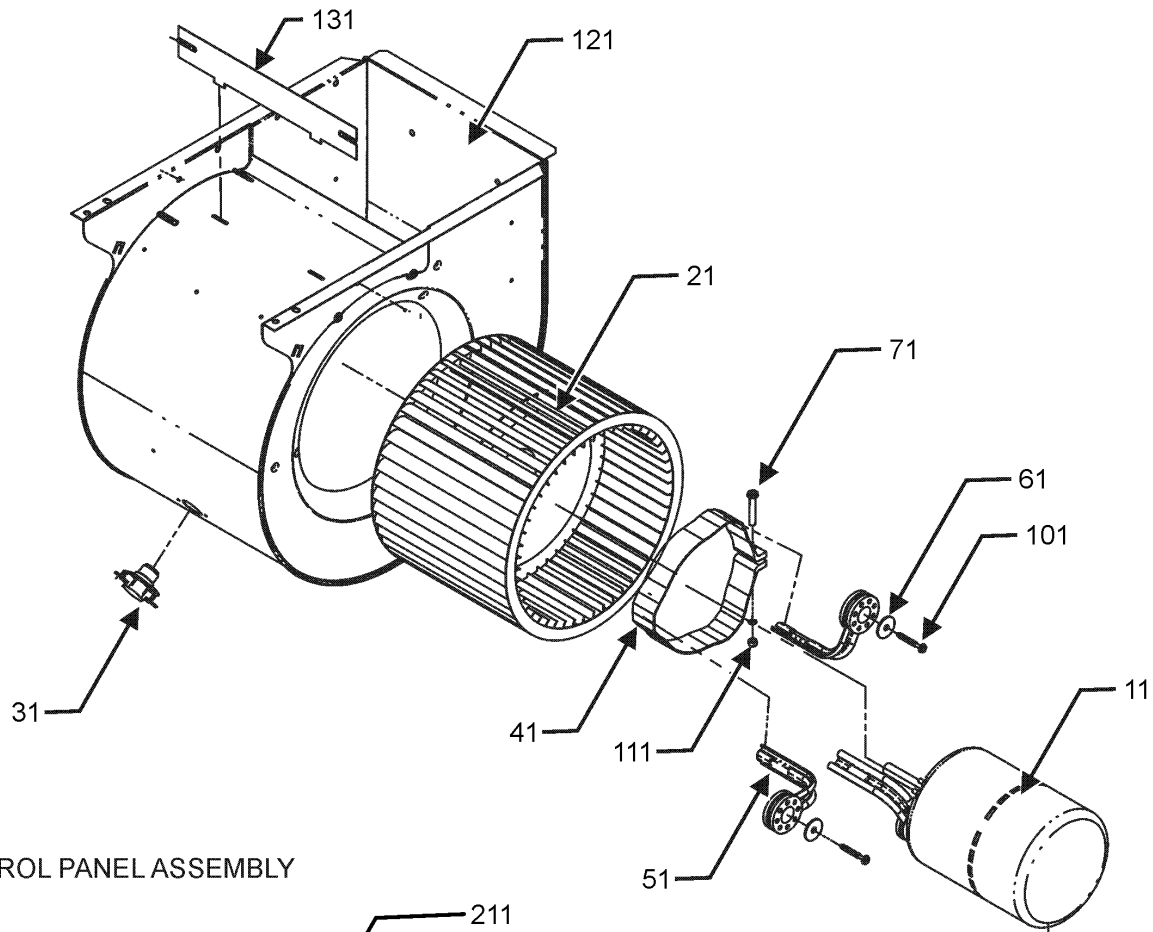
11	0121F00122DG	BLOWER ACCESS DOOR 14" (M1, M2)
11	0121F00123DG	BLOWER ACCESS DOOR 17.5" (M3, M4)
11	0121F00124DG	BLOWER ACCESS DOOR 21" (M5, M6)
11	0121F00125DG	BLOWER ACCESS DOOR 24.5" (M7, M8)
21	B1392139	VIEW PORT BUSHING-BLOWER DOOR
31	0121F00118DG	CONTROL ACCESS DOOR 14" (M1, M2)
31	0121F00119DG	CONTROL ACCESS DOOR 17.5" (M3, M4)
31	0121F00120DG	DOOR CTRL ACCESS, 21"-PAINTED (M5, M6)
31	0121F00121DG	DOOR CTRL ACCESS, 24.5"-PAINTED (M7, M8)
41	B1370158	AIR PRESSURE SWITCH, LIME (M7, M8)
41	B1370142	AIR PRESSURE SWITCH, ORANGE (M2)
41	0130F00504	SWITCH, PRESSURE (M1, M4, M5, M6)
41	0130F00505	SWITCH, PRESSURE (M3)
51	B1392147	UNIVERSAL BUSHING WITH SLICE
61	B1392125	BUSHING (HEY CO)
111	10690402	INTERLOCK SWITCH
171	0121F00141DG	TOP 14" (M1, M2)
171	0121F00142DG	TOP 17.5" (M3, M4)
171	0121F00143DG	TOP 21" (M5, M6)
171	0121F00463DG	TOP, FURNACE 24.5" (M7, M8)
321	4023500	CHIMNEY TRANSITION TOP
NS	0161F00007	GOODMAN NAMEPLATE

Expanded Model Nomenclature

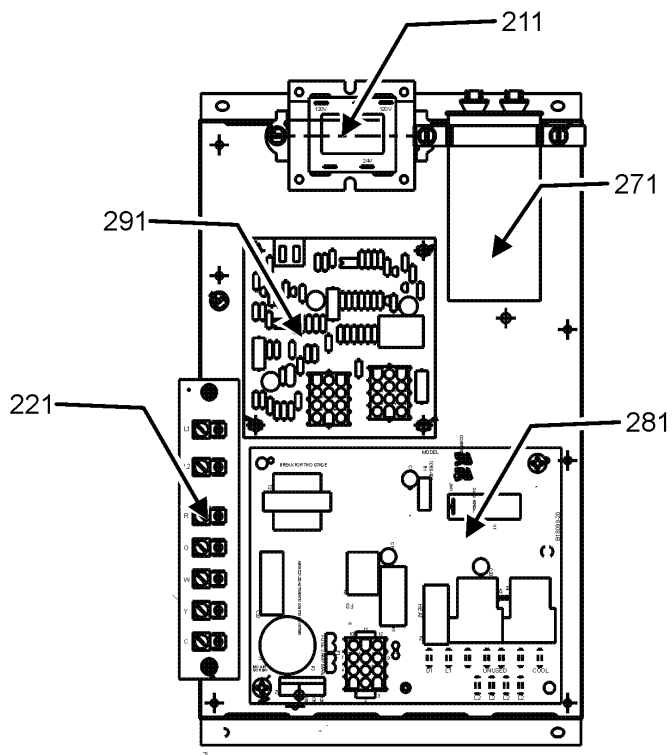
- | |
|------------------|
| M1 - GMP075-32EA |
| M2 - GMP075-32EB |
| M3 - GMP100-42EA |
| M4 - GMP100-42EB |
| M5 - GMP125-52EA |
| M6 - GMP125-52EB |
| M7 - GMP150-52EA |
| M8 - GMP150-52EB |

Blower and Control Panel Assembly

BLOWER ASSEMBLY



CONTROL PANEL ASSEMBLY



FRONT VIEW

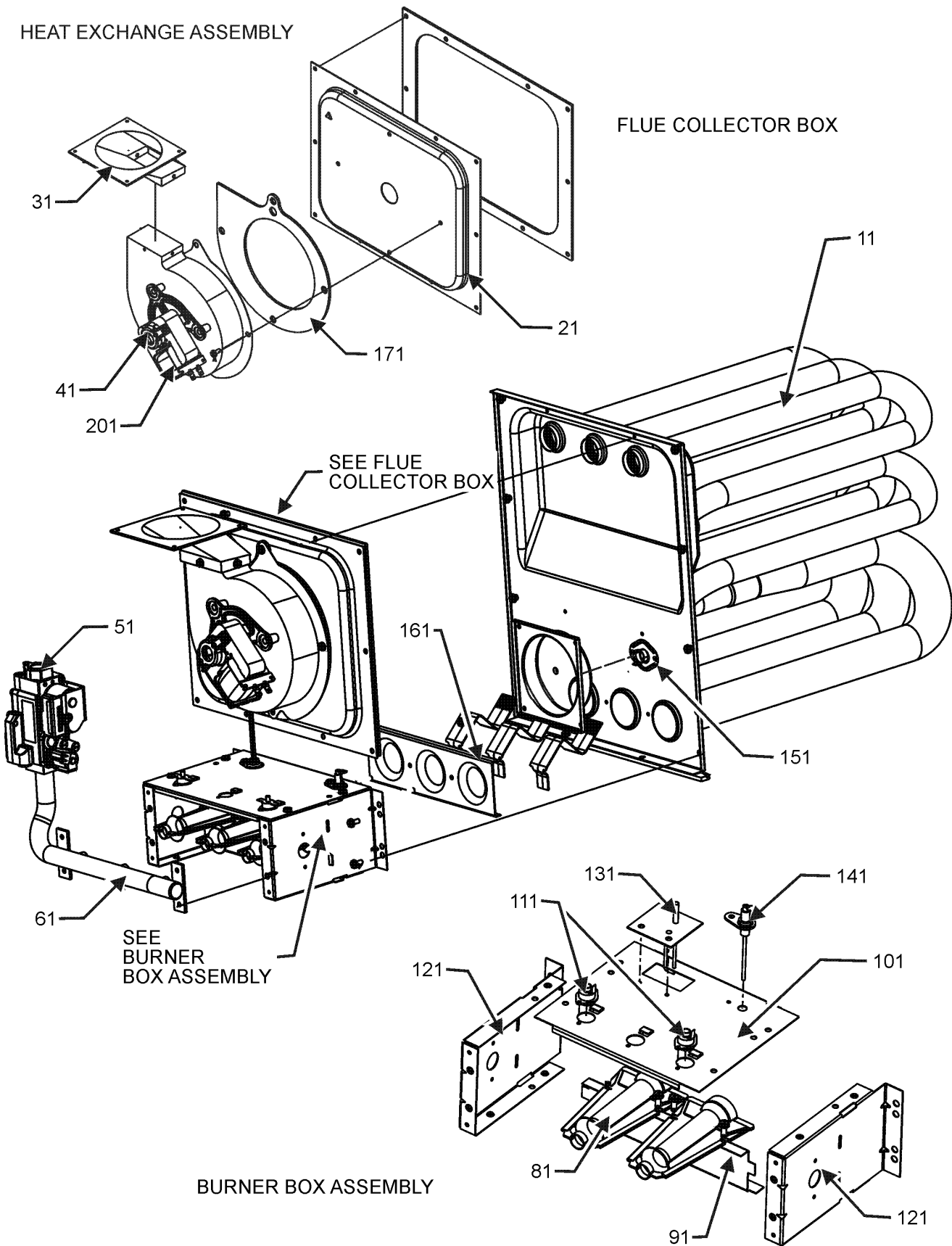
Blower and Control Panel Assembly

Ref. Part No:	No:	Description:	Ref. Part No:	No:	Description:
Image 1:					
11	0131F00045	MOTOR, BLOWER 1/2HP, 50HZ (M2, M4)			
11	0131F00058	MOTOR, BLOWER, 1HP, 50HZ (M5, M6, M7, M8)			
11	0131F00004	MOTOR, BLOWER, 3/4HP, 50HZ (M1, M3)			
21	B1368047	BLOWER WHEEL 10 X 10 (M5, M6)			
21	B1368034	BLOWER WHEEL 10 X 6 (M1, M2)			
21	B1368016	BLOWER WHEEL 10 X 8 (M3, M4)			
21	B1368000	BLOWER WHEEL 11 X 10 (M7, M8)			
31	0130F00038	LIMIT, PRIMARY 120 LT BLUE			
41	0121M00038	MOTOR MOUNT BAND (M1, M3, M5, M6, M7, M8)			
41	0121M00039	MOTOR MOUNT BAND (HEAVY DUTY) (M2, M4)			
51	B1376853	MOTOR MOUNT ARM (M1, M3)			
51	B1376857	MOTOR MOUNT ARM (M5, M6, M7, M8)			
51	B1376863	MOTOR MOUNT ARM (HEAVY DUTY) (M2, M4)			
61	B1392918	WASHER, FLAT 1/4 ID X 1 OD (QTY 3)			
71	0163M00320	HEX HEAD ALL THREAD TAP BOLT			
101	M0250565	SCREW-TC 1.25" (QTY 3)			
111	B1393800	LOCKNUT, NYLON INSERT 1/4 20			
121	2539307	BLOWER HOUSING 10 X 10 (M5, M6, M7, M8)			
121	2539305	BLOWER HOUSING 10 X 6 (M1, M2)			
121	2539306	BLOWER HOUSING 10 X 8 (M3, M4)			
131	764741	BLOWER BLOCK-OFF 10 X 10 (M5, M6, M7, M8)			
131	764740	BLOWER BLOCK-OFF 10 X 8 (M3, M4)			
131	764739	BLOWER CUT-OFF 10 X 6 (M1, M2)			
211	B1141664	TRANSFORMER, 230V, 50HZ			
221	B1368267	TERMINAL BLOCK			
271	CAP150000370LAE	CAP, 15 MFD/370V/OVAL			
281	PCBAM104	PCB, IGNITION, DSI, 50HZ, CE			
291	PCBAM105	PCB, DSI, AUX, 50HZ, CE			
NS	1284835	CAPACITOR STRAP			
NS	0259F00022	HARN, WIRE, 12 PIN M-CONN, 50HZ CE			
NS	0259F00071	HARN, WIRE, 12 PIN, DSI, 50HZ			
NS	0259F00023	KIT, WIRE 50HZ CE			

Expanded Model Nomenclature

M1 - GMP075-32EA
M2 - GMP075-32EB
M3 - GMP100-42EA
M4 - GMP100-42EB
M5 - GMP125-52EA
M6 - GMP125-52EB
M7 - GMP150-52EA
M8 - GMP150-52EB

Heat Exchange Assembly



Heat Exchange Assembly

Ref. Part No:	Part No:	Description:	Ref. Part No:	Part No:	Description:
---------------	----------	--------------	---------------	----------	--------------

Image 1:

11	0270F00901	HEAT EXCHANGER ASSY (M1, M2)
11	0270F00902	HEAT EXCHANGER ASSY (M3, M4)
11	0270F00903	HEAT EXCHANGER ASSY (M5, M6)
11	0270F00904	HEAT EXCHANGER ASSY (M7, M8)
21	0121F00208	FLUE COLLECTOR BOX KIT 14" 2.5 DIA (M1, M2)
21	0121F00201	FLUE COLLECTOR BOX KIT 17.5", 2.5 DIA (M3,
21	0121F00213	FLUE COLLECTOR BOX KIT 21", 3.25 DIA (M5, M6)
21	0121F00214	FLUE COLLECTOR BOX KIT 21", 4.0 DIA (M7, M8)
31	0128F00006	TRANSITION, BOTTOM
41	0131F00003	MOTOR, VENT 50HZ
51	0151F00001	VALVE, GAS HONEYWELL C50HZ
61	0120F00007	MANIFOLD (M1, M2)
61	0120F00008	MANIFOLD (M3, M4)
61	0120F00009	MANIFOLD (M5, M6)
61	0120F00010	MANIFOLD (M7, M8)
81	B4022700	INSHOT BURNER ASSY 3" (QTY 3)
91	0121F00168	BURNER BRACKET 3B (M1, M2)
91	0121F00169	BURNER BRACKET 4B (M3, M4)
91	0121F00170	BURNER BRACKET 5B (M5, M6)
91	0121F00171	BURNER BRACKET 6B (M7, M8)
101	0121F00209	BURNER BOX TOP 3 CELL (M1, M2)
101	0121F00210	BURNER BOX TOP 4 CELL (M3, M4)
101	0121F00211	BURNER BOX TOP 5 CELL (M5, M6)
101	0121F00212	BURNER BOX TOP 6 CELL (M7, M8)
111	10123529	MANUAL RESET R.O.S. LIMIT (QTY 2)
121	0121F00146	BURNER BOX SIDE (QTY 2)
131	B1401014	DIRECT SPARK IGNITOR-GMP 50HZ
141	0130F00010	FLAME SENSOR
151	0130F00308	LIMIT, PRIMARY 130 DEG (M1, M2, M3, M4, M7, M8)
151	0130F00037	PRIMARY LIMIT - GRAY 150° (M5, M6)
161	4028001	ORIFICE SHIELD 3 CELL (M1, M2)
161	4028002	ORIFICE SHIELD 4 CELL (M3, M4)
161	4028003	ORIFICE SHIELD 5 CELL (M5, M6)
161	4028004	ORIFICE SHIELD 6 CELL (M7, M8)
171	0154F00003	VENT MOTOR GASKET 14" (M1, M2)
171	0154F00004	VENT MOTOR GASKET 17.5" (M3, M4)
171	0154F00005	VENT MOTOR GASKET 21" (M5, M6)
171	0154F00006	VENT MOTOR GASKET 24.5" (M7, M8)
201	DY6.186.070	VENT MOTOR CAPACITOR

Expanded Model Nomenclature

M1 - GMP075-32EA
M2 - GMP075-32EB
M3 - GMP100-42EA
M4 - GMP100-42EB
M5 - GMP125-52EA
M6 - GMP125-52EB
M7 - GMP150-52EA
M8 - GMP150-52EB