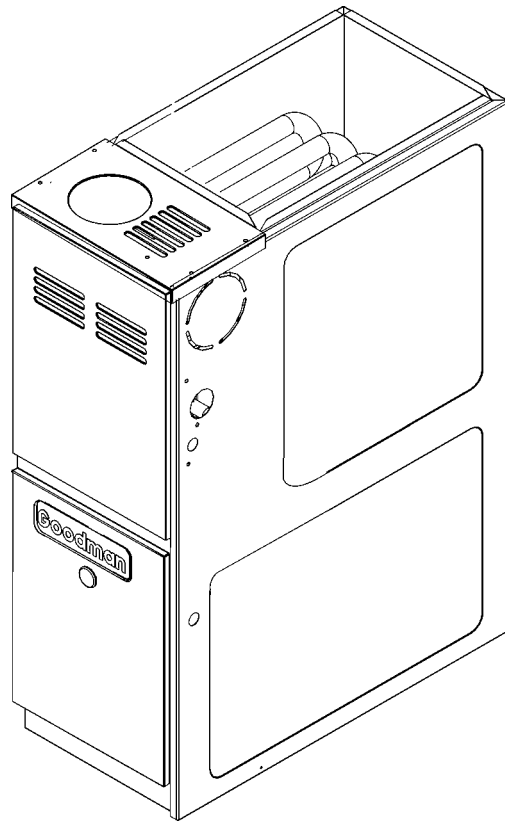




REPAIR PARTS

GMP 80% 50 Hz CE Furnace Units

GMP075-32DA
GMP100-42DA
GMP125-52DA
GMP150-52DA



Made in the USA by:
Goodman Manufacturing Company, L.P.
2550 North Loop West, Suite 400
Houston Texas 77092

www.goodmanmfg.com

RP-418
August 2006

Important Information

Index

Functional Parts List	3
Illustration and Parts	4 - 11

Views shown are for parts illustrations only, not servicing procedures

Text Codes:

AR - As Required

NA - Not Available

NS - Not Shown

00000000 - See Note

QTY - Quantity Example (QTY 3) (If Quantity not shown, Quantity = 1)

M - Model Example (M1) (If M Code not shown, then part is used on all Models)

Expanded Model Nomenclature:

Example

M1 - Model#1

M2 - Model#2

M3 - Model#3

Goodman Manufacturing Company, L.P. is not responsible for personal injury or property damage resulting from improper service. Review all service information before beginning repairs.

Warranty service must be performed by an authorized technician, using authorized factory parts. If service is required after the warranty expires, Goodman Manufacturing Company, L.P. also recommends contacting an authorized technician and using authorized factory parts.

Goodman Manufacturing Company, L.P. reserves the right to discontinue, or change at any time, specifications or designs without notice or without incurring obligations. Goodman® brand products are proudly made in the USA.

For assistance within the U.S.A. contact:
Consumer Affairs Department
Goodman Manufacturing Company, L.P.
7401 Security Way
Houston, Texas 77040
877-254-4729-Telephone
713-863-2382-Facsimile

For assistance outside the U.S.A. contact:
International Division
Goodman Manufacturing Company, L.P.
7401 Security Way
Houston, Texas 77040
713-861-2500-Telephone
713-863-2382-Facsimile

Functional Parts

**Part
No:**

Description:

Expanded Model Nomenclature

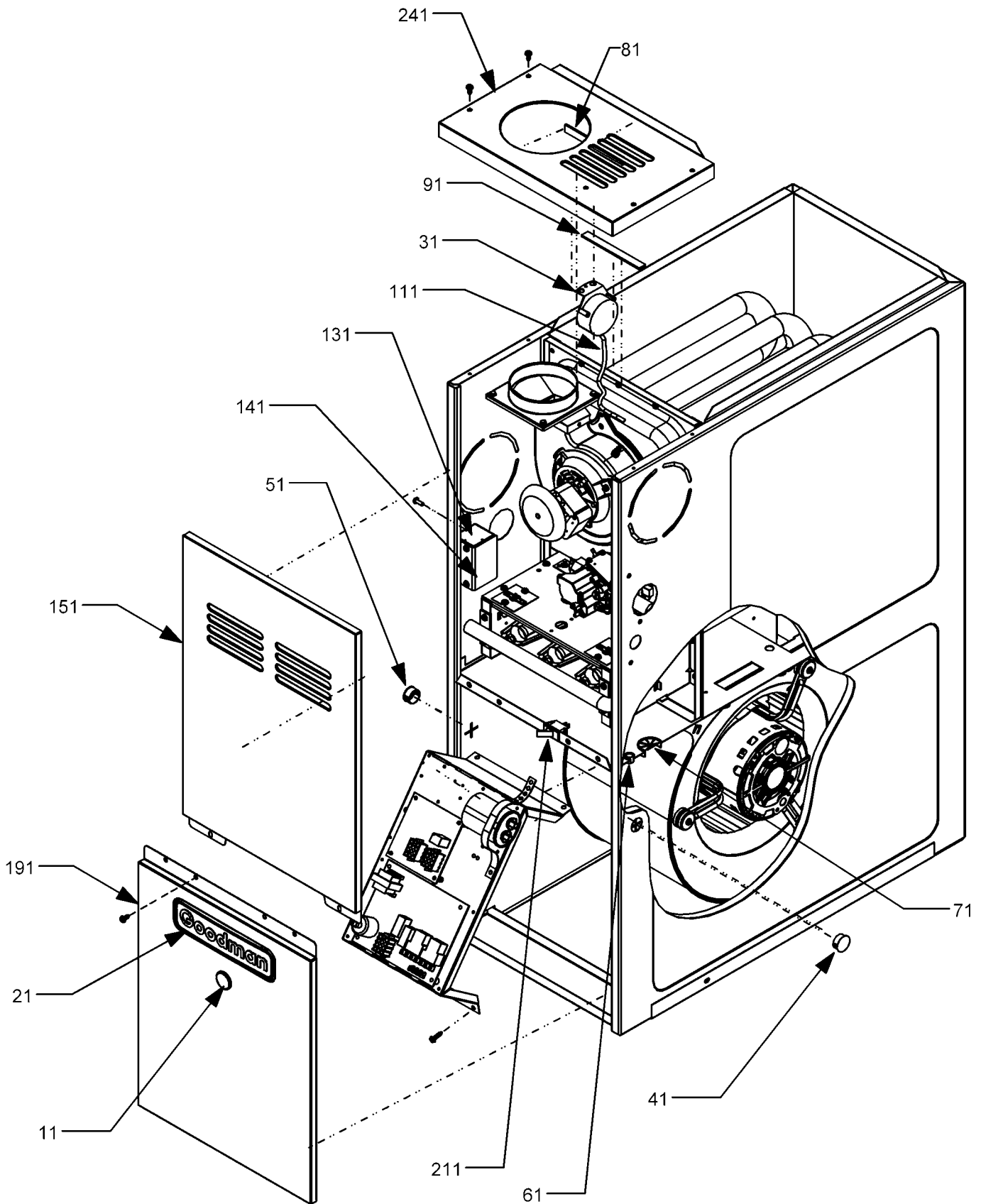
B1370150	AIR PRESSURE SWITCH (M3, M4)
B1370142	AIR PRESSURE SWITCH .60"WC (M1)
B1370158	AIR PRESSURE SWITCH -0.7"WC (M2)
B1809922	AUXILIARY MODULE 50HZ (CE)
B945653	CAPACITOR 15/370
B1401014	DIRECT SPARK IGNITOR
B1809921	DSI CONTROL, 50HZ, CE
B1172606	FLAME SENSOR
B2526006	GAS MANIFOLD, 3 CELL (M1)
B2526007	GAS MANIFOLD, 4 CELL (M2)
B2526008	GAS MANIFOLD, 5 CELL (M3)
B2526009	GAS MANIFOLD, 6 CELL (M4)
B1282622	GAS VALVE, 50HZ (CE)
0259F00021	HARNESS-WIRE, 12-PIN DSI 50HZ
0259F00022	HARNESS-WIRE, 12-PIN M-CONN, 50HZ CE
4021307S	HEAT EXCHANGER SUB ASSY, 3 CELL, 14" (M1)
4021309S	HEAT EXCHANGER SUB ASSY, 4 CELL, 17.5" (M2)
4021311S	HEAT EXCHANGER SUB ASSY, 5 CELL, 21" (M3)
4021312S	HEAT EXCHANGER SUB ASSY, 6 CELL, 24.5" (M4)
B4022700	INSHOT BURNER ASSY 3" (QTY AR)
B1370155	LIMIT-AUXILIARY 120°F
B1370207	LIMIT-PRIMARY 130°F (M3, M4)
B1370187	LIMIT-PRIMARY 160°F (M1, M2)
0131F00005	MOTOR-BLOWER, 1 HP, 50HZ (M3, M4)
0131F00004	MOTOR-BLOWER, 3/4 HP, 50HZ (M1, M2)
0131F00003	MOTOR-VENT 50HZ
B4089343	ORIFICE (QTY AR)
B1370154	ROLLOUT SWITCH, 350°F W/O BRKT (QTY 2)
B1370818	SWITCH-INTERLOCK
B1141664	TRANSFORMER 230V, 50HZ

M1 - GMP075-32DA
M2 - GMP100-42DA
M3 - GMP125-52DA
M4 - GMP150-52DA

SPECIAL PARTS

HI-111CE	HOMEOWNER INSTRUCTIONS (CE)
IO-314	INSTALLATION INSTRUCTIONS
0161F00000P	NAMEPLATE, GOODMAN
RP-418	REPAIR PARTS MANUAL

Cabinet



Cabinet

Ref. Part No:	No:	Description:	Ref. Part No:	No:	Description:
<i>Image 1:</i>					
11	B1392139	VIEW PORT BUSHING-BLOWER DOOR			
21	0161F00000P	NAMEPLATE, GOODMAN			
31	B1370150	AIR PRESSURE SWITCH (M3, M4)			
31	B1370142	AIR PRESSURE SWITCH .60"WC (M1)			
31	B1370158	AIR PRESSURE SWITCH -.07"WC (M2)			
41	B1392019	PLASTIC PLUG .875"			
51	B1392104	UNIVERSAL BUSHING UB 875			
61	B1392125	BUSHING (HEYCO)			
71	B1392147	UNIVERSAL BUSHING WITH SLICE			
81	B13926111	SEAL STRIP 1/8 X 1/2 X 14" (QTY AR)			
91	B13926111	SEAL STRIP 1/8 X 1/2 X 14" (M1)			
91	B13926112	SEAL STRIP 1/8 X 1/2 X 17.5" (M2)			
91	B13926113	SEAL STRIP 1/8 X 1/2 X 21" (M3)			
91	B13926114	SEAL STRIP 1/8 X 1/2 X 24.5" (M4)			
111	A3468601	PRESSURE SWITCH HOSE			
131	4014502	J-BOX			
141	4015502	J-BOX COVER			
151	0221F00004PDG	DOOR, CONTROL ACCESS 14" (M1)			
151	0221F00005PDG	DOOR, CONTROL ACCESS 17.5" (M2)			
151	0221F00006PDG	DOOR, CONTROL ACCESS 21" (M3)			
151	0221F00007PDG	DOOR, CONTROL ACCESS 24.5" (M4)			
191	0221F00011PDG	DOOR, BLOWER 14" (M1)			
191	0221F00012PDG	DOOR, BLOWER 17.5" (M2)			
191	0221F00013PDG	DOOR, BLOWER 21" (M3)			
191	0221F00014PDG	DOOR, BLOWER 24.5" (M4)			
211	B1370818	SWITCH-INTERLOCK			
241	0221F00000PDG	TOP-FURNACE 14" (M1)			
241	0221F00001PDG	TOP-FURNACE 17.5" (M2)			
241	0221F00002PDG	TOP-FURNACE 21" (M3)			
241	0221F00003PDG	TOP-FURNACE 24.5" (M4)			

Expanded Model Nomenclature

- | |
|------------------|
| M1 - GMP075-32DA |
| M2 - GMP100-42DA |
| M3 - GMP125-52DA |
| M4 - GMP150-52DA |

Blower Assy/Control Panel

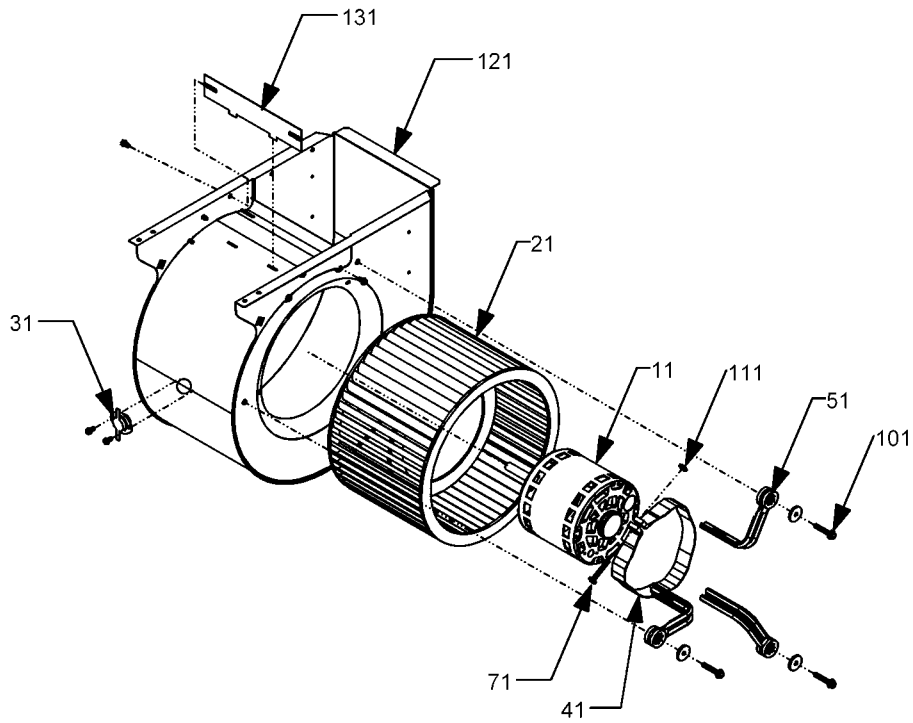
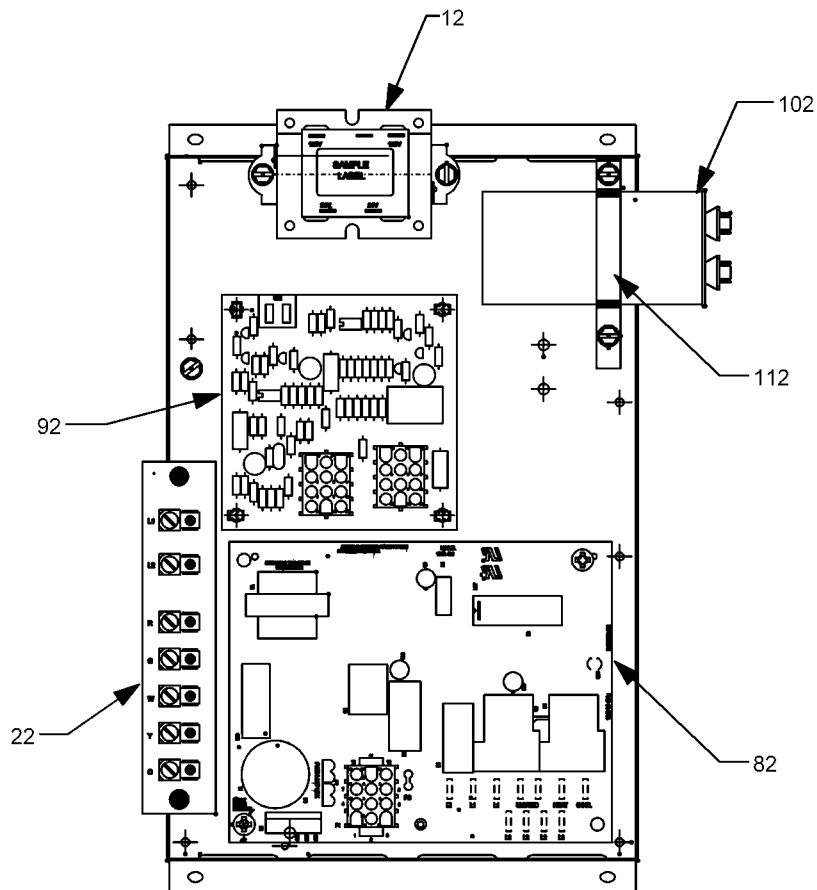


Image 1

Image 2



Blower Assy/Control Panel

Ref. Part No: No:	Description:	Ref. Part No: No:	Description:
-------------------	--------------	-------------------	--------------

Image 1:

11	0131F00005	MOTOR-BLOWER, 1 HP, 50HZ (M3, M4)
11	0131F00004	MOTOR-BLOWER, 3/4 HP, 50HZ (M1, M2)
21	B1368047	BLOWER WHEEL 10 X 10 (M3)
21	B1368034S	BLOWER WHEEL 10 X 6 (M1)
21	B1368016S	BLOWER WHEEL 10 X 8 (M2)
21	B1368000S	BLOWER WHEEL 11 X 10 (M4)
31	B1370155	LIMIT-AUXILIARY 120°F
41	B1376851	MOTOR MOUNT BAND
51	B1376853	MOTOR MOUNT ARM (M3, M4)
51	B1376857	MOTOR MOUNT ARM (M1, M2)
71	B1393323	SCREW, HWH 20X1-1/4 1/2 BZ
101	B1393527	SCREW, HWH 14X1-1/2, A, BZ, SLOT (QTY 3)
111	B1393800	LOCKNUT, NYLON, INSERT 1/4"
121	2539307	BLOWER SHELL ASSY 10 X 10 (M3)
121	2539305S	BLOWER SHELL ASSY 10 X 6 (M1)
121	2539306S	BLOWER SHELL ASSY 10 X 8 (M2)
121	2539302S	BLOWER SHELL ASSY 11 X 10 (M4)
131	764741	BLOWER BLOCK-OFF 10 X 10 (M3)
131	764739	BLOWER BLOCK-OFF 10 X 6 (M1)
131	764740	BLOWER BLOCK-OFF 10 X 8 (M2)
131	1864703	BLOWER BLOCK-OFF 11 X 10 (M4)

Image 2:

12	B1141664	TRANSFORMER 230V, 50HZ
22	B1368267	TERMINAL BLOCK 50HZ, CE
82	B1809921	DSI CONTROL, 50HZ, CE
92	B1809922	AUXILIARY MODULE 50HZ (CE)
102	B945653	CAPACITOR 15/370
112	1284835	CAPACITOR STRAP

Expanded Model Nomenclature

M1 - GMP075-32DA
M2 - GMP100-42DA
M3 - GMP125-52DA
M4 - GMP150-52DA

Heat Exchanger Assy/Flue Collector Box

Image 1

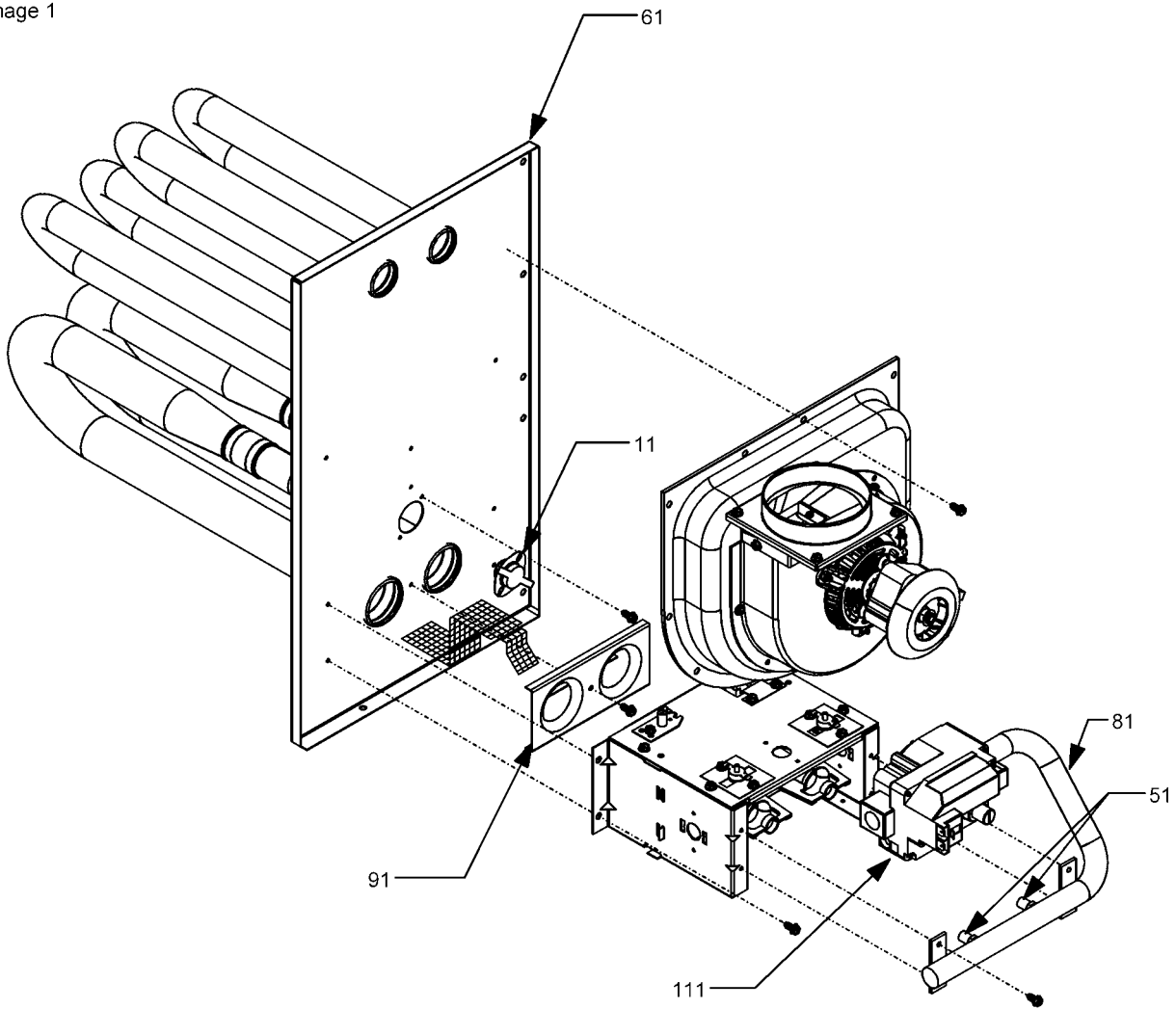
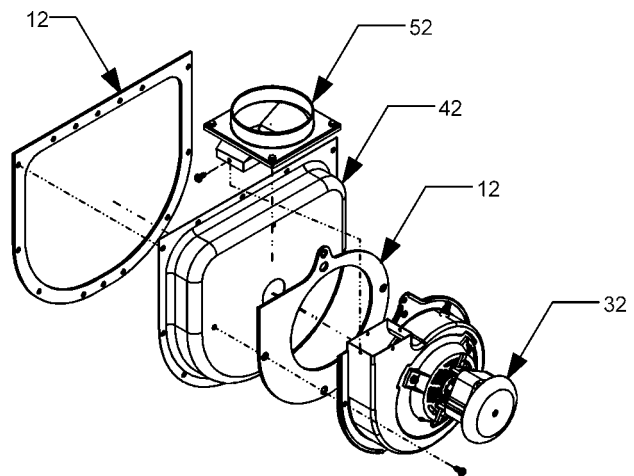


Image 2



Heat Exchanger Assy/Flue Collector Box

Ref. Part No: No:	Description:	Ref. Part No: No:	Description:
-------------------	--------------	-------------------	--------------

Image 1:

11	B1370207	LIMIT-PRIMARY 130°F (M3, M4)
11	B1370187	LIMIT-PRIMARY 160°F (M1, M2)
51	B4089343	ORIFICE (QTY AR)
61	4021307S	HEAT EXCHANGER SUB ASSY, 3 CELL, 14" (M1)
61	4021309S	HEAT EXCHANGER SUB ASSY, 4 CELL, 17.5" (M2)
61	4021311S	HEAT EXCHANGER SUB ASSY, 5 CELL, 21" (M3)
61	4021312S	HEAT EXCHANGER SUB ASSY, 6 CELL, 24.5" (M4)
81	B2526006	GAS MANIFOLD, 3 CELL (M1)
81	B2526007	GAS MANIFOLD, 4 CELL (M2)
81	B2526008	GAS MANIFOLD, 5 CELL (M3)
81	B2526009	GAS MANIFOLD, 6 CELL (M4)
91	4028001	ORIFICE PLATE 3 CELL (M1)
91	4028002	ORIFICE PLATE 4 CELL (M2)
91	4028003	ORIFICE PLATE 5 CELL (M3)
91	4028004	ORIFICE PLATE 6 CELL (M4)
111	B1282622	GAS VALVE, 50HZ (CE)

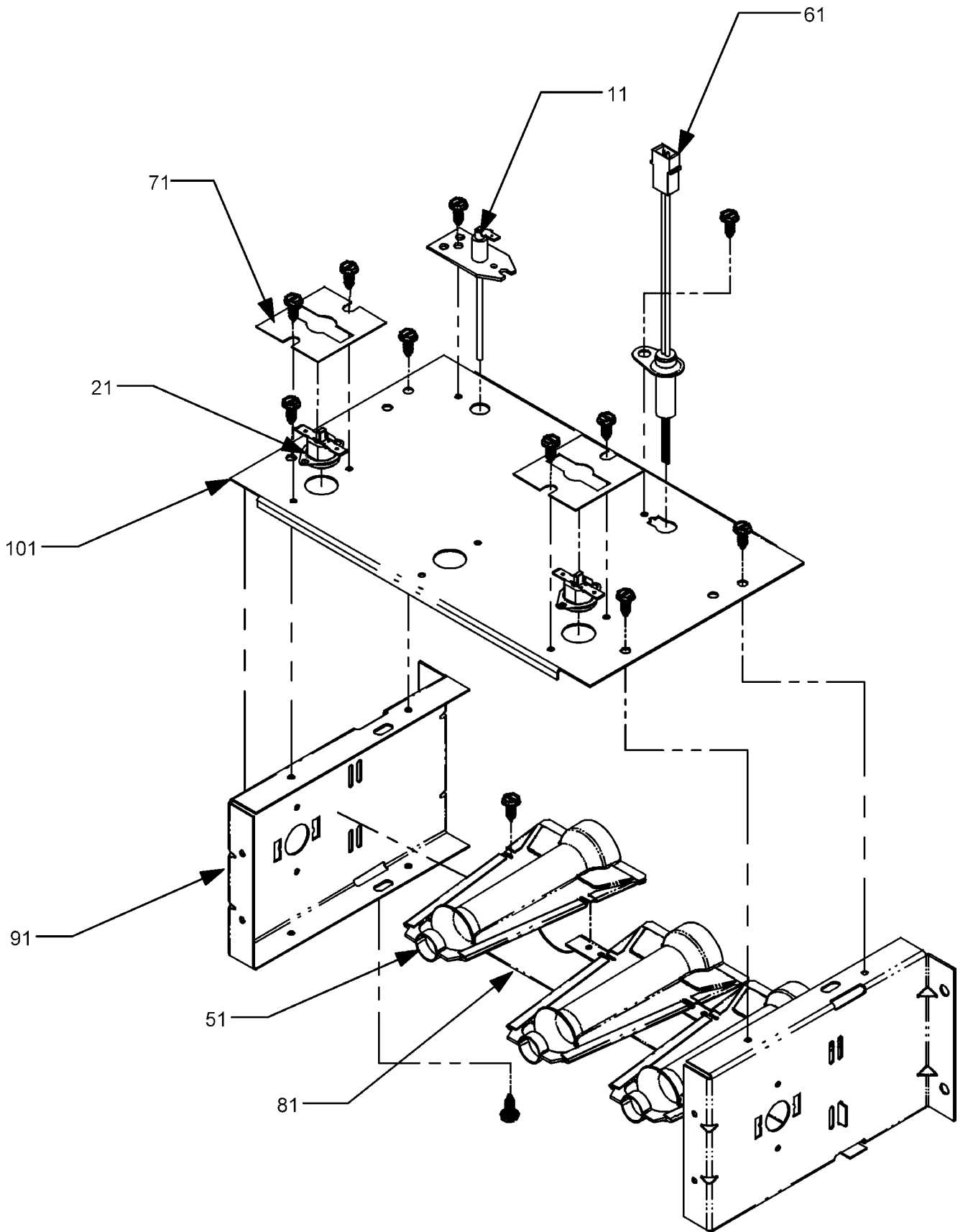
Image 2:

12	B1392633	GASKET 14" (M1)
12	B1392634	GASKET 17.5" (M2)
12	B1392635	GASKET 21" (M3)
12	B1392636	GASKET 24.5" (M4)
32	0131F00003	MOTOR-VENT 50HZ
42	0121F00058	FLUE COLLECTOR BOX 14", 2.50" (M1)
42	0121F00059	FLUE COLLECTOR BOX 17.5", 2.50" (M2)
42	0121F00060	FLUE COLLECTOR BOX 21", 3.25" (M3)
42	0121F00062	FLUE COLLECTOR BOX 24.5", 4.0" (M4)
52	4053501S	CHIMNEY ASSY

Expanded Model Nomenclature

M1 - GMP075-32DA
M2 - GMP100-42DA
M3 - GMP125-52DA
M4 - GMP150-52DA

Burner Box Assy



Burner Box Assy

Ref. Part No: No:	Description:	Ref. Part No: No:	Description:
-------------------	--------------	-------------------	--------------

Image 1:

11	B1172606	FLAME SENSOR
21	B1370154	ROLLOUT SWITCH, 350°F W/O BRKT (QTY 2)
51	B4022700	INSHOT BURNER ASSY 3" (QTY AR)
61	B1401014	DIRECT SPARK IGNITOR
71	2509503	BRACKET-ROLLOUT SWITCH (QTY 2)
81	2513501	BURNER RACK 3 CELL (M1)
81	2513502	BURNER RACK 4 CELL (M2)
81	2513503	BURNER RACK 5 CELL (M3)
81	2513504	BURNER RACK 6 CELL (M4)
91	2514000	SIDE PLATE-BURNER BOX (QTY 2)
101	4013006	BURNER BOX TOP 3 CELL (M1)
101	4013007	BURNER BOX TOP 4 CELL (M2)
101	4013008	BURNER BOX TOP 5 CELL (M3)
101	4013009	BURNER BOX TOP 6 CELL (M4)

Expanded Model Nomenclature

- | |
|------------------|
| M1 - GMP075-32DA |
| M2 - GMP100-42DA |
| M3 - GMP125-52DA |
| M4 - GMP150-52DA |