



# REPAIR PARTS

---

## GMP 50HZ Series CE Units

GMP050-32C  
GMP075-32C  
GMP100-42C  
GMP125-52C  
GMP150-52C



## Important Information

---

Goodman Manufacturing Company, L.P. is not responsible for personal injury or property damage resulting from improper service. Review all service information before beginning repairs.

Warranty service must be performed by an authorized technician, using authorized factory parts. If service is required after the warranty expires, Goodman Manufacturing Company, L.P. also recommends contacting an authorized technician and using authorized factory parts.

For assistance within the U.S.A. contact:

Consumer Affairs Department  
Goodman Manufacturing Company, L.P.  
7401 Security Way  
Houston, Texas 77040  
877-254-4729-Telephone  
713-863-2382-Facsimile

For assistance outside the U.S.A. contact:

International Division  
Goodman Manufacturing Company, L.P.  
7401 Security Way  
Houston, Texas 77040  
713-861-2500-Telephone  
713-863-2382-Facsimile

# Index

Functional Parts List .....	4 - 5
Illustration and Parts .....	6 - 11

*Views shown are for parts illustrations only, not servicing procedures.*

Revision C: Adds new models, updates gas valve, limit switches, circuit boards.

## Text Codes:

AR - As Required

NA - Not Available

NS - Not Shown

00000000 - See Note

QTY - Quantity Example (QTY 3) (If Quantity not shown, Quantity = 1)

M - Model Example (M1) (If M Code not shown, then part is used on all Models)

## Expanded Model Nomenclature:

Example
M1 - Model#1
M2 - Model#2
M3 - Model#3

# Functional Parts

## Part

## No: Description:

---

B1370155	AUXILIARY LIMIT CONTROL, 120°F
B1809922	AUXILIARY MODULE, 50 HZ
B1368034	BLOWER WHEEL (10 X 6) (M1, M2, M5)
B1368046	BLOWER WHEEL (10 X 6) CCW ROTATION (M5)
B1368016	BLOWER WHEEL (10 X 8) (M3)
B1368000	BLOWER WHEEL (11 X 10) (M4)
B945652	CAPACITOR, 10/370 MFD (M3)
B945672	CAPACITOR, 12.5/370 MFD (M4, M5)
B945651	CAPACITOR, 7.5/370 MFD (M1, M2)
B18590505	COMBUSTION BLOWER
B1401014	DIRECT SPARK IGNITOR
B1370819	DOOR SWITCH
B1809921	DSI CONTROL BOARD, 50 HZ
B1172606	FLAME SENSOR
B4089343	GAS ORIFICE (QTY 2) (M1)
B4089343	GAS ORIFICE (QTY 3) (M2)
B4089343	GAS ORIFICE (QTY 4) (M3)
B4089343	GAS ORIFICE (QTY 5) (M4)
B4089343	GAS ORIFICE (QTY 6) (M5)
B1282622	GAS VALVE, 50 HZ
2521300S	HEAT EXCHANGER, SUB-ASM., 2 CELL (M1)
2521301S	HEAT EXCHANGER, SUB-ASM., 3 CELL (M2)
2521302S	HEAT EXCHANGER, SUB-ASM., 4 CELL (M3)
2521303S	HEAT EXCHANGER, SUB-ASM., 5 CELL (M4)
2521304S	HEAT EXCHANGER, SUB-ASM., 6 CELL (M5)
B4022700S	INSHOT BURNERS (QTY 2) (M1)
B4022700S	INSHOT BURNERS (QTY 3) (M2)
B4022700S	INSHOT BURNERS (QTY 4) (M3)
B4022700S	INSHOT BURNERS (QTY 5) (M4)
B4022700S	INSHOT BURNERS (QTY 6) (M5)
B1370906	LIMIT 150°F (M1)
B1370908	LIMIT 160°F (M2)
B1370910	LIMIT 170°F (M3, M5)
B1370914	LIMIT 220°F (M4)
B1370168	LIMIT MANUAL RESET, 180°F (M1)
B1370167	LIMIT MANUAL RESET, 230°F (M2)
B1370169	LIMIT MANUAL RESET, 240°F (M5)
B1370170	LIMIT MANUAL RESET, 260°F (M3)
B1370171	LIMIT MANUAL RESET, 340°F (M4)
B13400503	MOTOR, BLOWER, 1/2 HP, 50 HZ (M3)
B13400502	MOTOR, BLOWER, 1/4 HP, 50 HZ (M1, M2)
B13400523	MOTOR, BLOWER, 3/4 HP, 50 HZ (M4)
B13400522	MOTOR, BLOWER, 3/4 HP, 50 HZ, DUAL SHAFT (M5)
B1370133	PRESSURE SWITCH, .35"WC (M1, M2)
B1370126	PRESSURE SWITCH, .40"WC (M3, M4)
B1370142	PRESSURE SWITCH, .60"WC (M5)
B1370154	ROLLOUT/SPILL SWITCH, 350°F (QTY 3)
B1141664	TRANSFORMER

# Functional Parts

**Part**

**No: Description:**

---

**SPECIAL PARTS**

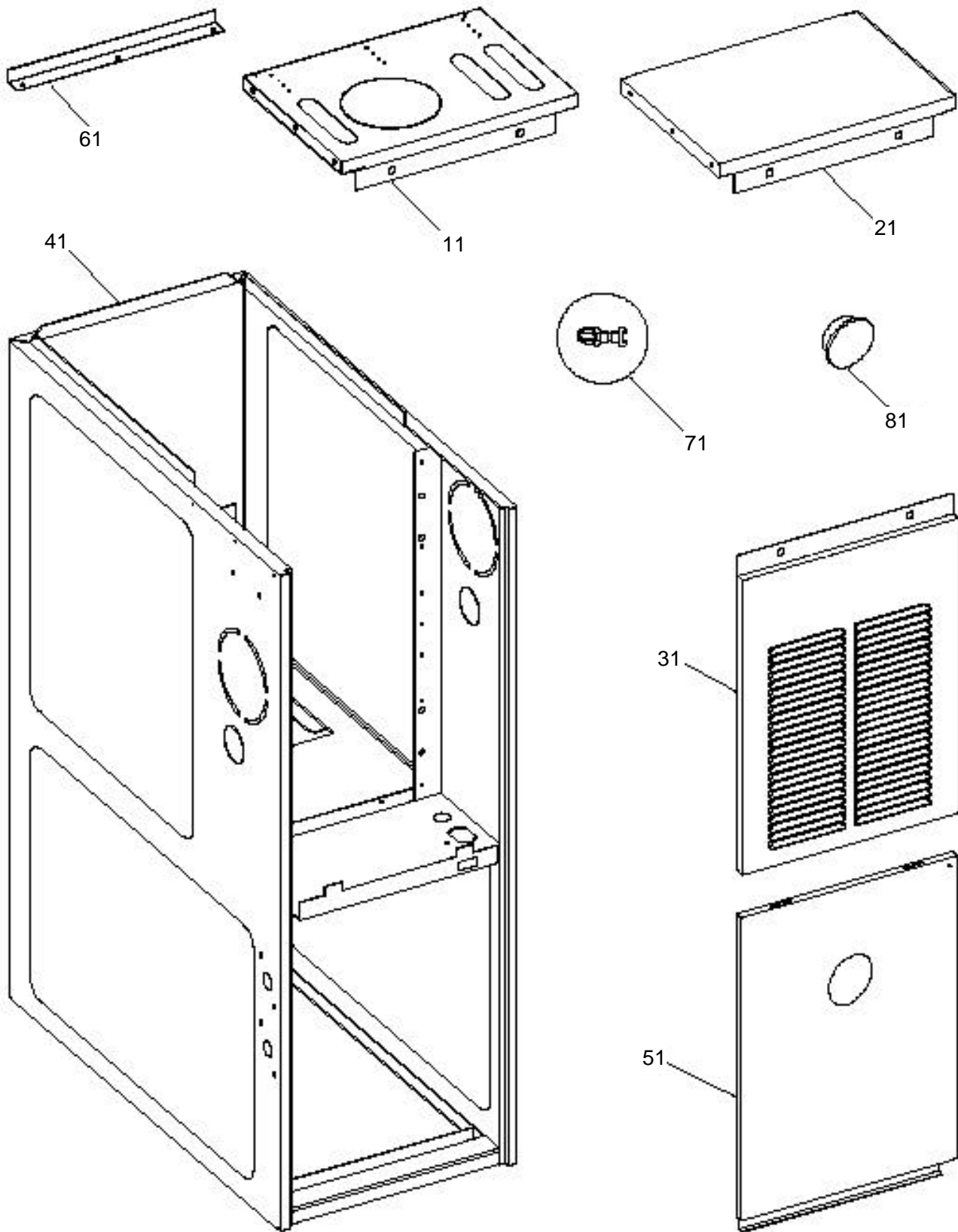
RP-169 MANUAL REPAIR PARTS

SS-205CE SPECIFICATION SHEET

Expanded Model Nomenclature

- M1 - GMP050-32C
- M2 - GMP075-32C
- M3 - GMP100-42C
- M4 - GMP125-52C
- M5 - GMP150-52C

# Cabinet



Graphics are representative of parts and may not resemble actual parts in the unit.

# Cabinet

## Ref. Part

## Ref. Part

No: No:

Description:

No: No:

Description:

Image 1:

11	2508008P	TOP 14" (M1, M2)
11	2508008PDG	TOP 14" (M1, M2)
11	2508009P	TOP 17" (M3)
11	2808009PDG	TOP 17" (M3)
11	2508010P	TOP 21" (M4)
11	2508010PDG	TOP 21" (M4)
11	2508011P	TOP 24" (M5)
11	2508011PDG	TOP 24" (M5)
31	2512008P	14" CONTROL ACCESS DOOR (M1, M2)
31	2512008PDG	14" CONTROL ACCESS DOOR (M1, M2)
31	2512009P	17" CONTROL ACCESS DOOR (M3)
31	2512009PDG	17" CONTROL ACCESS DOOR (M3)
31	2512010P	21" CONTROL ACCESS DOOR (M4)
31	2512010PDG	21" CONTROL ACCESS DOOR (M4)
31	2512011P	24" CONTROL ACCESS DOOR (M5)
31	2512011PDG	24" CONTROL ACCESS DOOR (M5)
41	2516512P	14" WRAPPER ASSEMBLY (M1, M2)
41	2516512PDG	14" WRAPPER ASSEMBLY (M1, M2)
41	2516513P	17" WRAPPER ASSEMBLY (M3)
41	2516513PDG	17" WRAPPER ASSEMBLY (M3)
41	2516514P	21" WRAPPER ASSEMBLY (M4)
41	2516514PDG	21" WRAPPER ASSEMBLY (M4)
41	2516515P	24" WRAPPER ASSEMBLY (M5)
41	2516515PDG	24" WRAPPER ASSEMBLY (M5)
51	2515004P	14" BLOWER DOOR (M1, M2)
51	2515004PDG	14" BLOWER DOOR (M1, M2)
51	2515005P	17" BLOWER DOOR (M3)
51	2515005PDG	17" BLOWER DOOR (M3)
51	2515006P	21" BLOWER DOOR (M4)
51	2515006PDG	21" BLOWER DOOR (M4)
51	2515007P	24" BLOWER DOOR (M5)
51	2515007PDG	24" BLOWER DOOR (M5)
61	2524000	14" DUCT ANGLE (M1, M2)
61	2524001	17" DUCT ANGLE (M3)
61	2524002	21" DUCT ANGLE (M4)
61	2524003	24" DUCT ANGLE (M5)
71	B1392146	DOOR STRIKE
71	B1392148	DOOR STRIKE
81	B1392139	VIEW PORT BUSHING, CLEAR

### Expanded Model Nomenclature

M1 - GMP050-32C
M2 - GMP075-32C
M3 - GMP100-42C
M4 - GMP125-52C
M5 - GMP150-52C

# Heat Exchanger / Manifold Assy

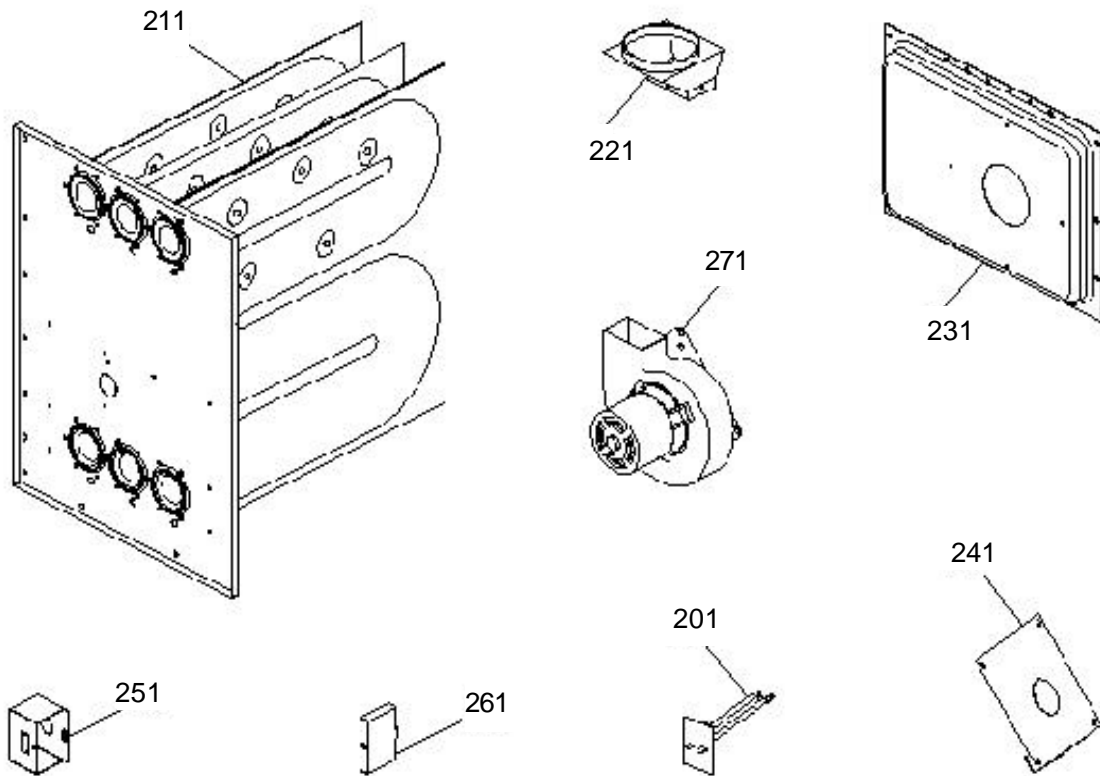
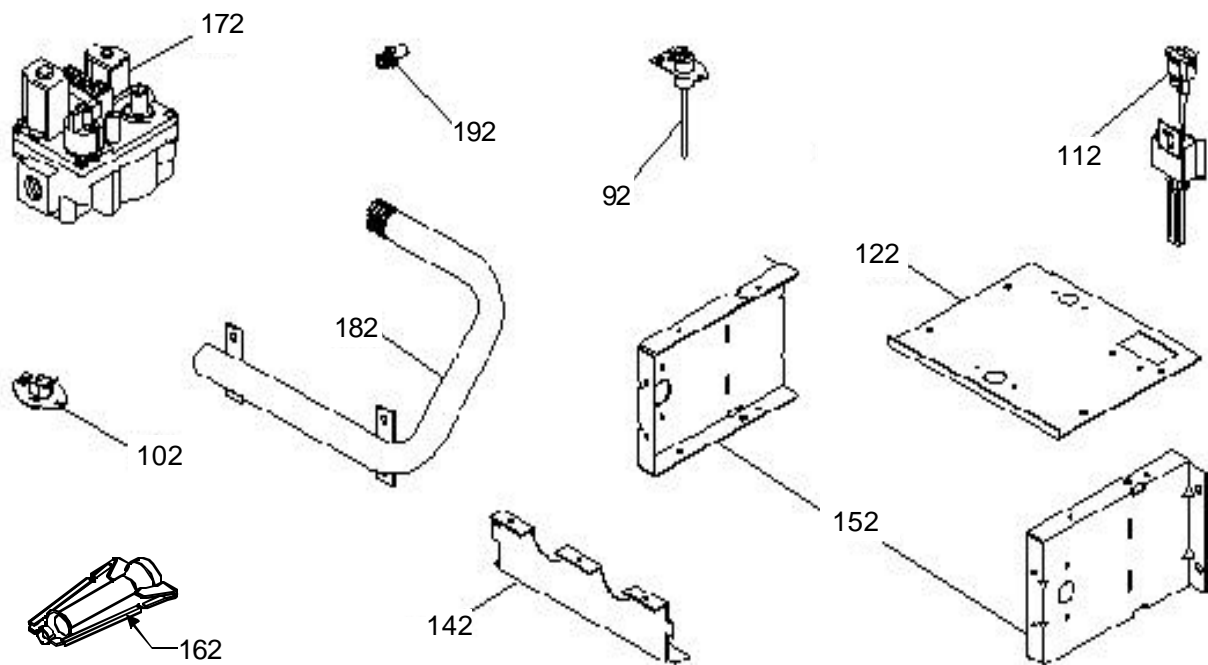


Image 1

Image 2



Graphics are representative of parts and may not resemble actual parts in the unit.

# Heat Exchanger / Manifold Assy

## Ref. Part

Ref. No:	Part No:	Description:
<i>Image 1:</i>		
201	B1370906	LIMIT 150°F (M1)
201	B1370908	LIMIT 160°F (M2)
201	B1370910	LIMIT 170°F (M3, M5)
201	B1370914	LIMIT 220°F (M4)
211	2521300S	HEAT EXCHANGER, SUB-ASM., 2 CELL (M1)
211	2521301S	HEAT EXCHANGER, SUB-ASM., 3 CELL (M2)
211	2521302S	HEAT EXCHANGER, SUB-ASM., 4 CELL (M3)
211	2521303S	HEAT EXCHANGER, SUB-ASM., 5 CELL (M4)
211	2521304S	HEAT EXCHANGER, SUB-ASM., 6 CELL (M5)
221	4053501	CHIMNEY
231	2510000S	FLUE COLLECTOR BOX, 14", W/GASKET (M1, M2)
231	2510001S	FLUE COLLECTOR BOX, 17", W/GASKET (M3)
231	2510002S	FLUE COLLECTOR BOX, 21", W/GASKET (M4)
231	2510003S	FLUE COLLECTOR BOX, 24", W/GASKET (M5)
241	2528002S	FLUE RESTRICTOR PLATE (M3)
241	2528004S	FLUE RESTRICTOR PLATE (M5)
241	2528005S	FLUE RESTRICTOR PLATE (M4)
241	2528007S	FLUE RESTRICTOR PLATE (M1, M2)
251	4014500	J-BOX
261	4015500	J-BOX COVER
271	B1859050S	COMBUSTION BLOWER

## *Image 2:*

92	B1172606	FLAME SENSOR
102	B1370168	LIMIT MANUAL RESET, 180°F (M1)
102	B1370167	LIMIT MANUAL RESET, 230°F (M2)
102	B1370169	LIMIT MANUAL RESET, 240°F (M5)
102	B1370170	LIMIT MANUAL RESET, 260°F (M3)
102	B1370171	LIMIT MANUAL RESET, 340°F (M4)
112	B1401014	DIRECT SPARK IGNITOR
122	4013005	2 CELL BURNER TOP BOX (M1)
122	4013006	3 CELL BURNER TOP BOX (M2)
122	4013007	4 CELL BURNER TOP BOX (M3)
122	4013008	5 CELL BURNER TOP BOX (M4)
122	4013009	6 CELL BURNER TOP BOX (M5)
142	2513500	2 CELL BURNER RACK (M1)
142	2513501	3 CELL BURNER RACK (M2)
142	2513502	4 CELL BURNER RACK (M3)
142	2513503	5 CELL BURNER RACK (M4)
142	2513504	6 CELL BURNER RACK (M5)
152	2514000	BURNER BOX, SIDE (QTY 2)
162	B4022700S	INSHOT BURNERS (QTY 2) (M1)
162	B4022700S	INSHOT BURNERS (QTY 3) (M2)
162	B4022700S	INSHOT BURNERS (QTY 4) (M3)
162	B4022700S	INSHOT BURNERS (QTY 5) (M4)
162	B4022700S	INSHOT BURNERS (QTY 6) (M5)
172	B1282622	GAS VALVE, 50 HZ
182	B2526005	2 CELL MANIFOLD (M1)
182	B2526006	3 CELL MANIFOLD (M2)
182	B2526007	4 CELL MANIFOLD (M3)
182	B2526008	5 CELL MANIFOLD (M4)
182	B2526009	6 CELL MANIFOLD (M5)
192	B4089343	GAS ORIFICE (QTY 2) (M1)
192	B4089343	GAS ORIFICE (QTY 3) (M2)
192	B4089343	GAS ORIFICE (QTY 4) (M3)

## Ref. Part

Ref. No:	Part No:	Description:
192	B4089343	GAS ORIFICE (QTY 5) (M4)
192	B4089343	GAS ORIFICE (QTY 6) (M5)
NS	B1370154	ROLLOUT/SPILL SWITCH, 350°F (QTY 3)

## Expanded Model Nomenclature

M1 - GMP050-32C
M2 - GMP075-32C
M3 - GMP100-42C
M4 - GMP125-52C
M5 - GMP150-52C

Part numbers ending in P=Bahama Beige. Part numbers ending in PDG=Dark Gray Color

# Blower Assy / Control Assy

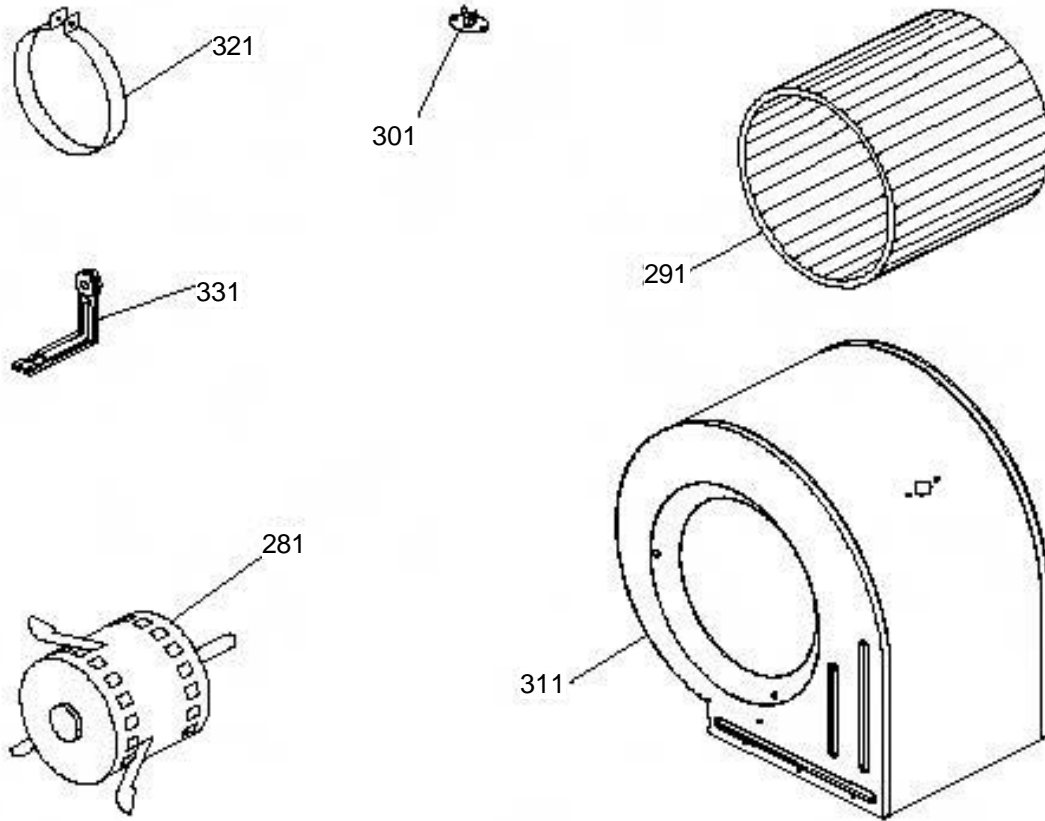
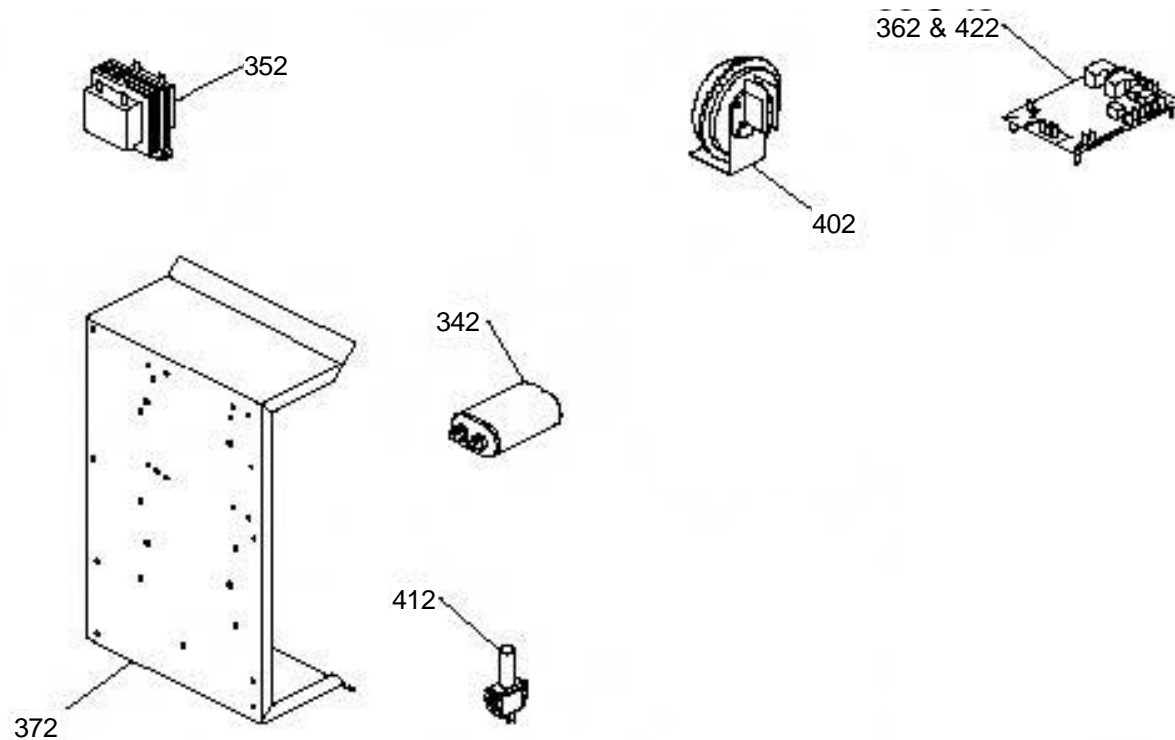


Image 1

Image 2



Graphics are representative of parts and may not resemble actual parts in the unit.

# Blower Assy / Control Assy

Ref. Part No:	Part No:	Description:	Ref. Part No:	Part No:	Description:
---------------	----------	--------------	---------------	----------	--------------

*Image 1:*

281	B13400503	MOTOR, BLOWER, 1/2 HP, 50 HZ (M3)
281	B13400502	MOTOR, BLOWER, 1/4 HP, 50 HZ (M1, M2)
281	B13400523	MOTOR, BLOWER, 3/4 HP, 50 HZ (M4)
281	B13400522	MOTOR, BLOWER, 3/4 HP, 50 HZ, DUAL SHAFT (M5)
291	B1368034	BLOWER WHEEL (10 X 6) (M1, M2, M5)
291	B1368046	BLOWER WHEEL (10 X 6) CCW ROTATION (M5)
291	B1368016	BLOWER WHEEL (10 X 8) (M3)
291	B1368000	BLOWER WHEEL (11 X 10) (M4)
301	B1370155	AUXILIARY LIMIT CONTROL, 120°F
311	2539305	BLOWER SHELL ASM. (10 X 6) (M1, M2)
311	2539305	BLOWER SHELL ASM. (10 X 6) QTY 2 (M5)
311	2539306	BLOWER SHELL ASM. (10 X 8) (M3)
311	2539302	BLOWER SHELL ASM. (11 X 10) (M4)
321	B1376851	MOTOR MOUNT BAND (M3, M4, M5)
321	1817105	TIE BRACKET DUAL BLOWER (M5)
331	B1376853	MOTOR MOUNT ARM, (QTY 3) (M3)
331	B1376857	MOTOR MOUNT ARM, (QTY 3) (M4, M5)
NS	1864700	BLOWER BLOCK-OFF (10 X 10 ) (M4)
NS	764739	BLOWER BLOCK-OFF (10 X 6 ) (M1, M2)
NS	764739	BLOWER BLOCK-OFF (10 X 6 ) QTY 2 (M5)
NS	764740	BLOWER BLOCK-OFF (10 X 8 ) (M3)
NS	1817106	DUAL BLOWER TIE PLATE SUPPORT (M5)

*Image 2:*

342	B945652	CAPACITOR, 10/370 MFD (M3)
342	B945672	CAPACITOR, 12.5/370 MFD (M4, M5)
342	B945651	CAPACITOR, 7.5/370 MFD (M1, M2)
352	B1141664	TRANSFORMER
362	B1809921	DSI CONTROL BOARD, 50 HZ
372	1815812	CONTROL MOUNT PANEL
402	B1370133	PRESSURE SWITCH, .35"WC (M1, M2)
402	B1370126	PRESSURE SWITCH, .40"WC (M3, M4)
402	B1370142	PRESSURE SWITCH, .60"WC (M5)
412	B1370819	DOOR SWITCH
422	B1809922	AUXILIARY MODULE, 50 HZ

Expanded Model Nomenclature

M1 - GMP050-32C
M2 - GMP075-32C
M3 - GMP100-42C
M4 - GMP125-52C
M5 - GMP150-52C