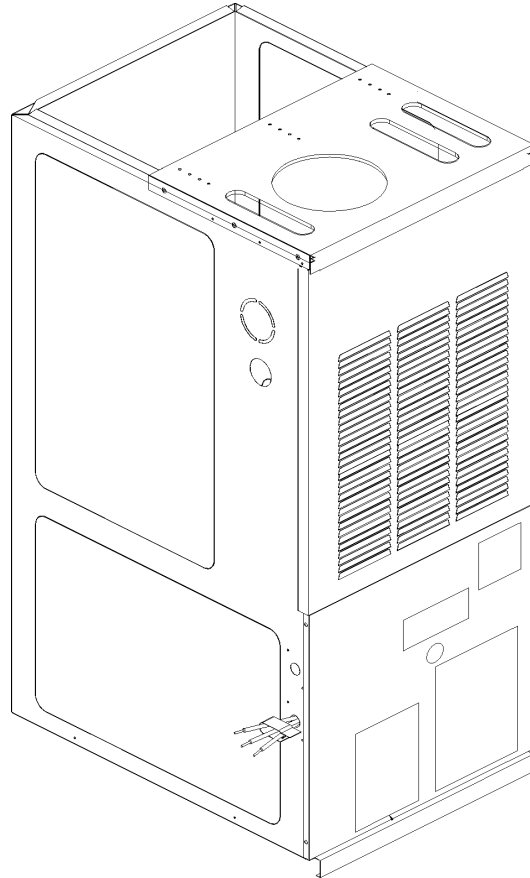


# REPAIR PARTS

## GMP/GMPH 80% Gas Furnace

GMP050-3  
GMP050-32  
GMP075-3  
GMP075-32  
GMP075-4  
GMP100-3  
GMP100-4  
GMP100-42  
GMP100-5  
GMP125-4  
GMP125-5  
GMP125-52  
GMP150-5  
GMP150-52  
GMPH050-3  
GMPH075-4  
GMPH080-5  
GMPH120-5



Goodman Manufacturing Company, L.P.  
5151 San Felipe, Suite 500  
Houston, TX 77056

[www.goodmanmfg.com](http://www.goodmanmfg.com)



This manual is to be used by qualified technicians only.

RP-370A  
May 2022

This manual replaces RP-370A from December 2008.

Copyright © 1996-2008, 2022 Goodman Manufacturing Company, L.P

# Important Information

---

## Index

Functional Parts List .....	3
Illustration and Parts .....	4 - 11

*Views shown are for parts illustrations only, not servicing procedures.*

Rev. A: Corrected heat exchanger p/ns for GMP075-4 and GMP100-5.

### Text Codes:

AR - As Required

NA - Not Available

NS - Not Shown

00000000 - See Note

QTY - Quantity Example (QTY 3) (If Quantity not shown, Quantity = 1)

M - Model Example (M1) (If M Code not shown, then part is used on all Models)

### Expanded Model Nomenclature:

Example M1 - Model#1 M2 - Model#2 M3 - Model#3
---

Goodman Manufacturing Company, L.P. is not responsible for personal injury or property damage resulting from improper service. Review all service information before beginning repairs.

Warranty service must be performed by an authorized technician, using authorized factory parts. If service is required after the warranty expires, Goodman Manufacturing Company, L.P. also recommends contacting an authorized technician and using authorized factory parts.

Goodman Manufacturing Company, L.P. reserves the right to discontinue, or change at any time, specifications or designs without notice or without incurring obligations.

For assistance within the U.S.A. contact:  
Consumer Affairs Department  
Goodman Manufacturing Company, L.P.  
7401 Security Way  
Houston, Texas 77040  
877-254-4729-Telephone  
713-863-2382-Facsimile

For assistance outside the U.S.A. contact:  
International Division  
Goodman Manufacturing Company, L.P.  
7401 Security Way  
Houston, Texas 77040  
713-861-2500-Telephone  
713-863-2382-Facsimile

# Functional Parts

## Part

### No: Description:

Part No:	Description:		
B1809920	50 HZ DSI MODULE (M6, M8, M12, M16, M18)	IO-604	SPECIAL INSTRUCTIONS W/36G (M1, M2, M3, M4, M5, M7, M9, M10, M11, M13, M14, M15, M17)
B13400503S	BLOWER MOTOR 1/2 HP, 50 HZ (M12)	IO-616	SUPPLEMENTAL INSTRUCTIONS (M6, M8, M12, M16, M18)
B13400502S	BLOWER MOTOR 1/4 HP, 50 HZ (M6, M8)	OBSOLETE	USERS MANUAL (M1, M2, M3, M4, M5, M7, M9, M10, M11, M13, M14, M15, M17)
B13400523S	BLOWER MOTOR 3/4 HP, 50 HZ (M16)	OBSOLETE	USERS MANUAL (CE) (M6, M8, M12, M16, M18)
B13400522S	BLOWER MOTOR 3/4 HP, 50 HZ, DUAL SHAFT (M18)		
B1340020S	BLOWER MOTOR DIRECT DRIVE 1/2 HP (M1, M9, M11, M14)		
B1340021S	BLOWER MOTOR DIRECT DRIVE 1/3 HP (M5, M7, M10)		
B1340022S	BLOWER MOTOR DIRECT DRIVE 3/4 HP (M4, M17)		
B1340023S	BLOWER MOTOR DIRECT DRIVE 3/4 HP (M2, M3, M13, M15)		
CAP100000370VAS	CAPACITOR 10/370V [BLOWER] (M1, M9, M11, M12, M14)		
CAP125000370RPS	CAPACITOR 12.5/370V (M2, M3, M5, M7, M10, M13, M15, M16, M18)		
CAP150000370VAS	CAPACITOR 15/370V (M4, M17)		
CAP075000370VAS	CAPACITOR 7.5/370V (M6, M8)		
B1401014	DIRECT SPARK IGNITOR-GMP 50HZ (M6, M8, M12, M16, M18)		
B1282622	GAS VALVE (36E) (M6, M8, M12, M16, M18)		
B1282628	GAS VALVE (36G) (M1, M2, M3, M4, M5, M7, M9, M10, M11, M13, M14, M15, M17)		
B1401018S	HOT SURFACE IGNITOR (M1, M2, M3, M4, M5, M7, M9, M10, M11, M13, M14, M15, M17)		
B1809913S	HSI BOARD W/9-PIN CONNECTOR (M1, M2, M3, M4, M5, M7, M9, M10, M11, M13, M14, M15, M17)		
B1141605	TRANSFORMER 120V TO 24V, 40 VA (M1, M2, M3, M4, M5, M7, M9, M10, M11, M13, M14, M15, M17)		
B1141664	TRANSFORMER 230V, 50 HZ (M6, M8, M12, M16, M18)		
B1859005S	VENT MOTOR & HOUSING (GMP) (M1, M2, M3, M4, M5, M7, M9, M10, M11, M13, M14, M15, M17)		
B18590505S	VENT MOTOR & HOUSING 50 HZ (M6, M8, M12, M16, M18)		

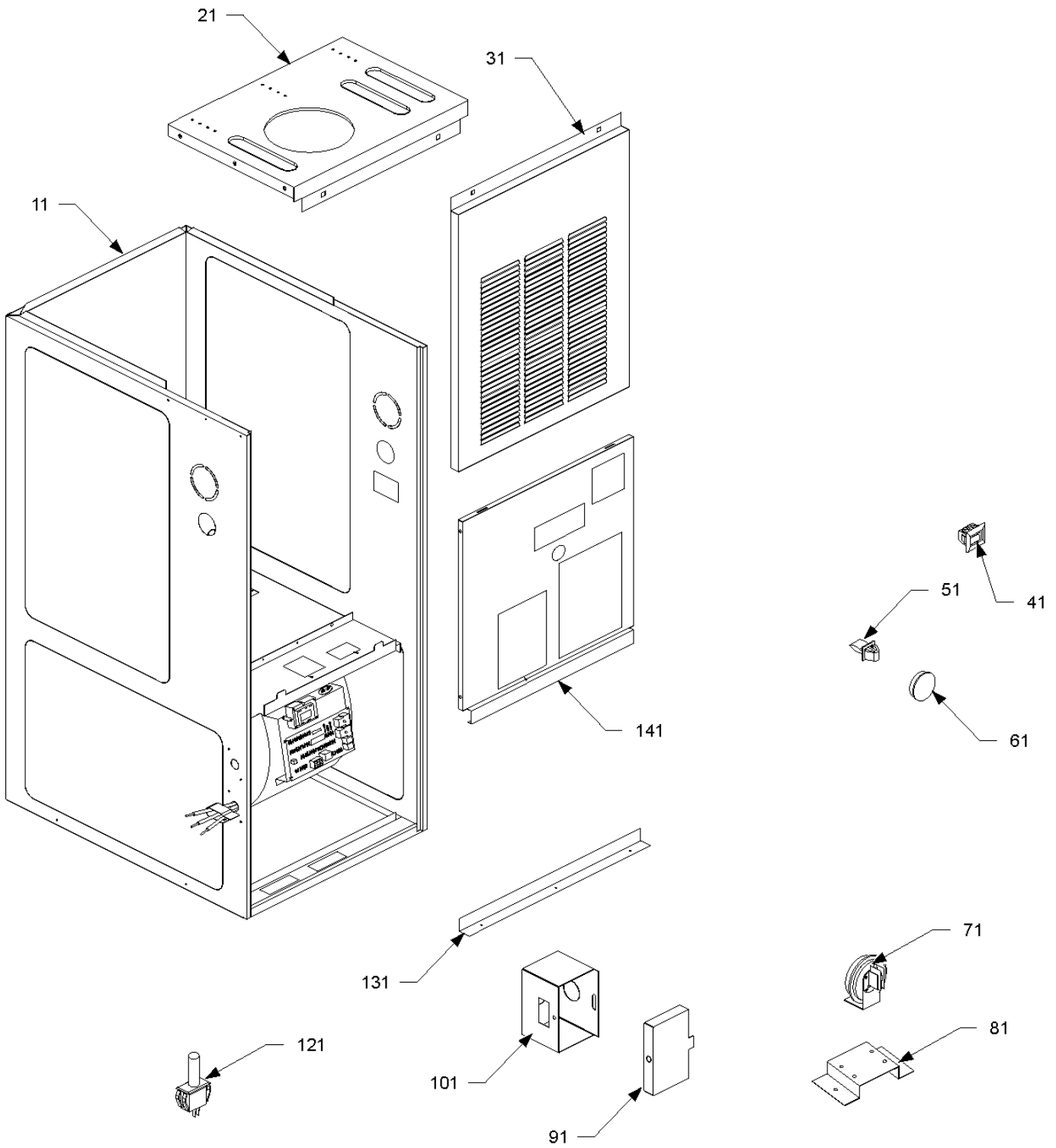
### Expanded Model Nomenclature

M1 - GMPH050-3
M2 - GMPH075-4
M3 - GMPH080-5
M4 - GMPH120-5
M5 - GMP050-3
M6 - GMP050-32
M7 - GMP075-3
M8 - GMP075-32
M9 - GMP075-4
M10 - GMP100-3
M11 - GMP100-4
M12 - GMP100-42
M13 - GMP100-5
M14 - GMP125-4
M15 - GMP125-5
M16 - GMP125-52
M17 - GMP150-5
M18 - GMP150-52

### SPECIAL PARTS

IO-137CE-A	INSTALLATION INSTRUCTIONS GMP (M5, M6, M7, M8, M9, M10, M11, M12, M13, M14, M15, M16, M17, M18)
IO-163B	INSTALLATION INSTRUCTIONS GMPH (M1, M2, M3, M4)
B10259251	LABEL, GOODMAN (M6, M8, M12, M16, M18)
IO-605	LIGHTING INSTRUCTIONS W/36G (M1, M2, M3, M4, M5, M7, M9, M10, M11, M13, M14, M15, M17)
RP-370	REPAIR PARTS MANUAL

# Cabinet Assy



# Cabinet Assy

Ref. Part No:	No:	Description:	Ref. Part No:	No:	Description:
<i>Image 1:</i>			Expanded Model Nomenclature		
11	OBSOLETE	WRAPPER 14" (M1, M5, M6, M7, M8)	M1	-	GMPH050-3
11	2516513S	WRAPPER 17.5" (M2, M9, M10, M11, M12)	M2	-	GMPH075-4
11	2516514S	WRAPPER 21" (M3, M13, M14, M15, M16)	M3	-	GMPH080-5
11	2516515S	WRAPPER 24.5" (M18)	M4	-	GMPH120-5
11	2516515S	WRAPPER 24.5" (M4, M17)	M5	-	GMP050-3
21	0221F00024PDG	TOP PANEL 17.5" (M2, M9, M10, M11, M12)	M6	-	GMP050-32
21	0221F00025PDG	TOP PANEL 21" (M3, M13, M14, M15, M16)	M7	-	GMP075-3
21	0221F00023PDG	TOP PANEL 50 HZ 14" (M1, M5, M6, M7, M8)	M8	-	GMP075-32
21	0221F00026PDG	TOP PANEL 50 HZ 24.5" (M4, M17, M18)	M9	-	GMP075-4
31	0221F00027PDG	CONTROL ACCESS DOOR 14.0" 50 HZ (M1, M5, M6, M7, M8)	M10	-	GMP100-3
31	0221F00028PDG	CONTROL ACCESS DOOR 17.5" 50 HZ (M2, M9, M10, M11, M12)	M11	-	GMP100-4
31	0221F00029PDG	CONTROL ACCESS DOOR 21.0" 50 HZ (M3, M13, M14, M15, M16)	M12	-	GMP100-42
31	0221F00030PDG	CONTROL ACCESS DOOR 24.5" 50 HZ (M4, M17, M18)	M13	-	GMP100-5
41	B1392146	DOOR CATCH (QTY 2)	M14	-	GMP125-4
51	B1392148	DOOR STRIKE (QTY 2)	M15	-	GMP125-5
61	B1392139	VIEW PORT BUSHING-BLOWER DOOR	M16	-	GMP125-52
71	B1370126	AIR PRESSURE SWITCH (M1, M3, M5, M10, M11, M12, M13, M14, M15, M16)	M17	-	GMP150-5
71	B1370142	AIR PRESSURE SWITCH (M4, M17, M18)	M18	-	GMP150-52
71	B1370133	AIR PRESSURE SWITCH, YELLOW (M2, M6, M7, M8, M9)			
81	2509503F	PRESSURE SWITCH BRACKET			
91	4015500	J-BOX COVER (M6, M8, M12, M16, M18)			
101	4014500	J-BOX (M6, M8, M12, M16, M18)			
101	OBSOLETE	J-BOX (M1, M2, M3, M4, M5, M7, M9, M10, M11, M13, M14, M15, M17)			
121	B1370819	DOOR SWITCH (M6, M8, M12, M16, M18)			
121	B1370820	DOOR SWITCH (M1, M2, M3, M4, M5, M7, M9, M10, M11, M13, M14, M15, M17)			
131	OBSOLETE	DUCT ANGLE 14" (M1, M5, M6, M7, M8)			
131	2524001	DUCT ANGLE 17.5" (M2, M9, M10, M11, M12)			
131	2524002	DUCT ANGLE 21" (M3, M13, M14, M15, M16)			
131	2524003	DUCT ANGLE 24.5" (M4, M17, M18)			
141	0221F00031PBB	BLOWER ACCESS DOOR 14.0" 50 HZ (M1, M5, M6, M7, M8)			
141	0221F00032PBB	BLOWER ACCESS DOOR 17.5" 50 HZ (M2, M9, M10, M11, M12)			
141	0221F00033PBB	BLOWER ACCESS DOOR 21.0" 50 HZ (M3, M13, M14, M15, M16)			
141	0221F00034PBB	BLOWER ACCESS DOOR 24.5" 50 HZ (M4, M17, M18)			

# Control Panel/Blower Assy

Image 1

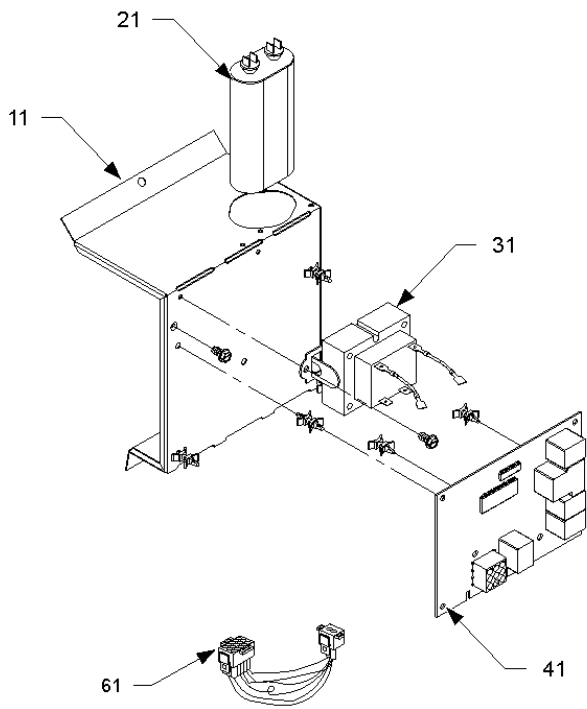


Image 2

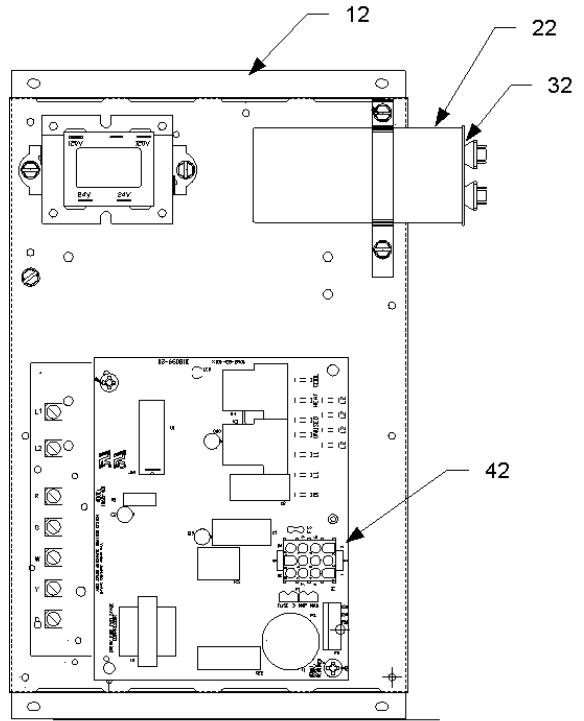
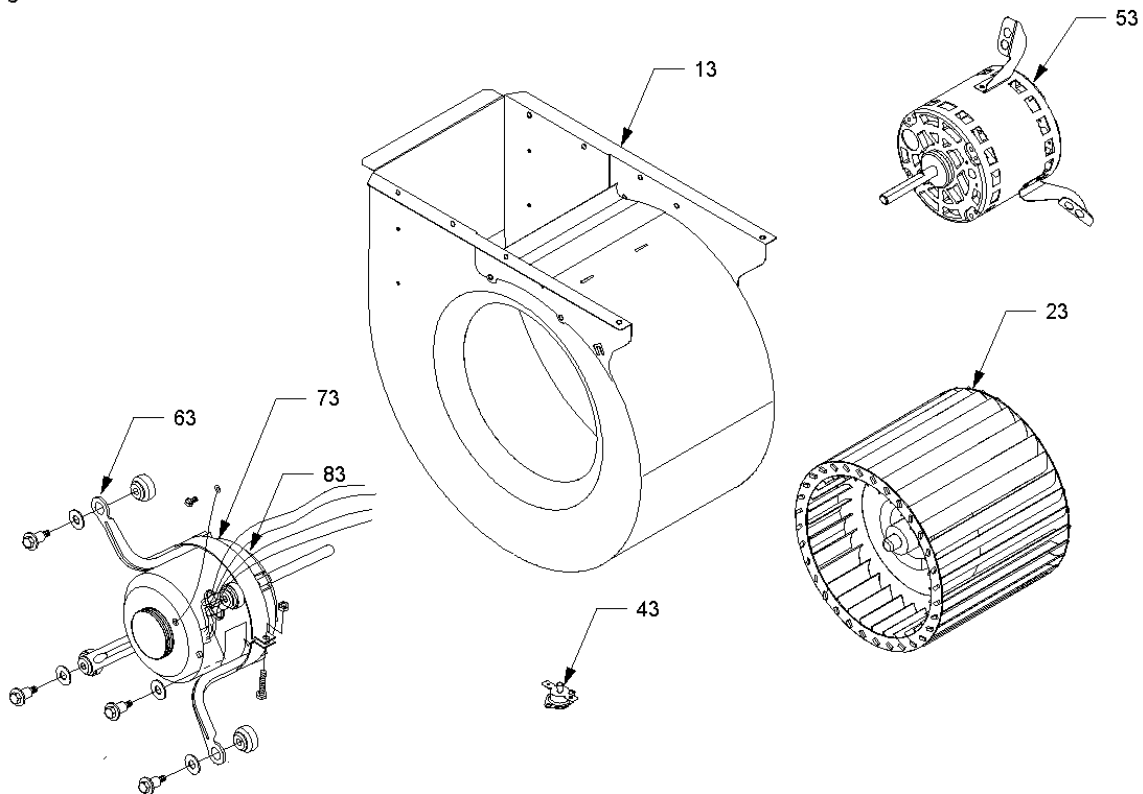


Image 3



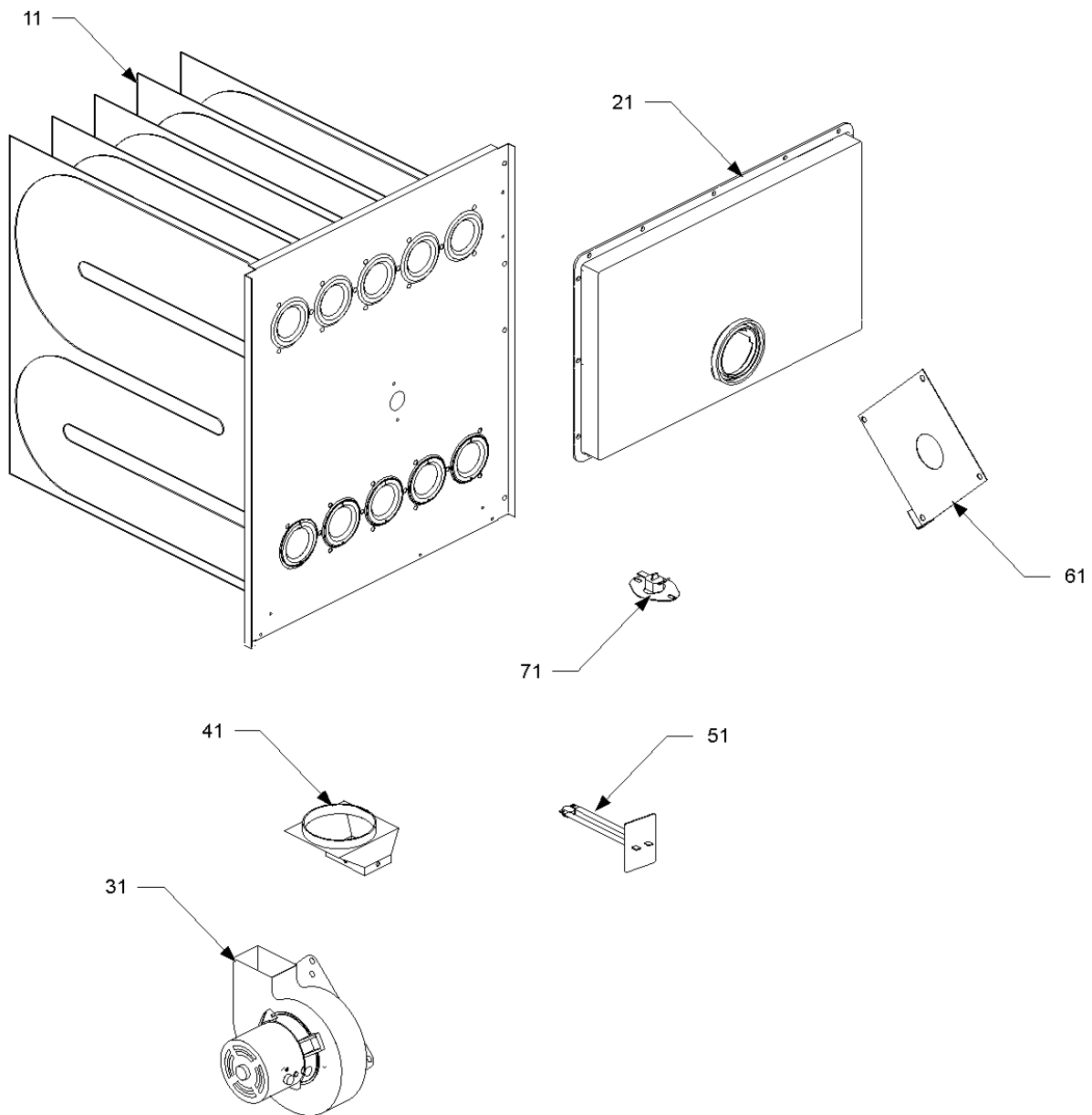
# Control Panel/Blower Assy

Ref. Part No:	Ref. Part No:	Description:	Description:
<i>Image 1:</i>			
11	1815817	CONTROL PANEL MOUNT (M1, M2, M3, M4, M5, M7, M9, M10, M11, M13, M14, M15, M17)	73 0121M00038 MOTOR MOUNT BAND (M2, M3, M4, M12, M13, M15, M16, M17, M18)
21	CAP100000370VAS	CAPACITOR 10/370V [BLOWER] (M1, M9, M11, M12, M14)	83 B13400503S BLOWER MOTOR 1/2 HP, 50 HZ (M12)
21	CAP125000370RPS	CAPACITOR 12.5/370V (M2, M3, M5, M7, M10, M13, M15, M16, M18)	83 B13400523S BLOWER MOTOR 3/4 HP, 50 HZ (M16)
21	CAP150000370VAS	CAPACITOR 15/370V (M4, M17)	83 B13400522S BLOWER MOTOR 3/4 HP, 50 HZ, DUAL SHAFT (M18)
31	B1141605	TRANSFORMER 120V TO 24V, 40 VA (M1, M2, M3, M4, M5, M7, M9, M10, M11, M13, M14, M15, M17)	83 B1340022S BLOWER MOTOR DIRECT DRIVE 3/4 HP (M4, M17)
41	B1809913S	HSI BOARD W/9-PIN CONNECTOR (M1, M2, M3, M4, M5, M7, M9, M10, M11, M13, M14, M15, M17)	83 B1340023S BLOWER MOTOR DIRECT DRIVE 3/4 HP (M2, M3, M13, M15)
61	2578400S	WIRE HARNESS KIT (M6, M8, M12, M16, M18)	
NS	2868411	2-PIN WIRE HARNESS ASSY-GMPN (M1, M2, M3, M4, M5, M7, M9, M10, M11, M13, M14, M15, M17)	
NS	2568416	WIRE HARNESS ASSY GMP (M1, M2, M3, M4, M5, M7, M9, M10, M11, M13, M14, M15, M17)	
NS	2568519	WIRE KIT, 50 HZ (M6, M8, M12, M16, M18)	
NS	2568516	WIRE KIT, GMP (M1, M2, M3, M4, M5, M7, M9, M10, M11, M13, M14, M15, M17)	
<i>Image 2:</i>			
2	B1809920	50 HZ DSI MODULE (M6, M8, M12, M16, M18)	
12	B1141664	TRANSFORMER 230V, 50 HZ (M6, M8, M12, M16, M18)	
22	0121F00080	CONTROL MOUNT PANEL (M6, M8, M12, M16, M18)	
32	CAP075000370VAS	CAPACITOR 7.5/370V (M6, M8)	
52	B1368267	50 HZ TERMINAL BLOCK (M6, M8, M12, M16, M18)	
<i>Image 3:</i>			
13	2539307S	BLOWER HOUSING ASSY 10 X 10 (M14)	
13	2539305S	BLOWER HOUSING ASSY 10 X 6 (M1, M4, M5, M6, M7, M8, M17, M18)	
13	2539306S	BLOWER HOUSING ASSY 10 X 8 (M2, M9, M10, M11, M12)	
13	2539302S	BLOWER HOUSING ASSY 11 X 10 (M3, M13, M15, M16)	
23	B1368047A	BLOWER WHEEL 10 X 10 (M14)	
23	B1368034S	BLOWER WHEEL 10 X 6 (M4, M5, M6, M7, M8, M17, M18)	
23	B1368046S	BLOWER WHEEL 10 X 6 CCW (M4, M17, M18)	
23	B1368016S	BLOWER WHEEL 10 X 8 (M9, M10, M11, M12)	
23	B1368000S	BLOWER WHEEL 11 X 10 (M3, M13, M15, M16)	
23	B1368053	BLOWER WHEEL 11 X 6 CW (M1)	
23	B1368054	BLOWER WHEEL 11 X 8 (M2)	
43	B1370155	AUXILIARY LIMIT SWITCH 120°F	
53	B13400502S	BLOWER MOTOR 1/4 HP, 50 HZ (M6, M8)	
53	B1340020S	BLOWER MOTOR DIRECT DRIVE 1/2 HP (M1, M9, M11, M14)	
53	B1340021S	BLOWER MOTOR DIRECT DRIVE 1/3 HP (M5, M7, M10)	
63	B1376853	MOTOR MOUNT ARM (M2, M12)	
63	B1376857	MOTOR MOUNT ARM (M3, M4, M13, M15, M16, M17, M18)	

### Expanded Model Nomenclature

M1 - GMPH050-3
M2 - GMPH075-4
M3 - GMPH080-5
M4 - GMPH120-5
M5 - GMP050-3
M6 - GMP050-32
M7 - GMP075-3
M8 - GMP075-32
M9 - GMP075-4
M10 - GMP100-3
M11 - GMP100-4
M12 - GMP100-42
M13 - GMP100-5
M14 - GMP125-4
M15 - GMP125-5
M16 - GMP125-52
M17 - GMP150-5
M18 - GMP150-52

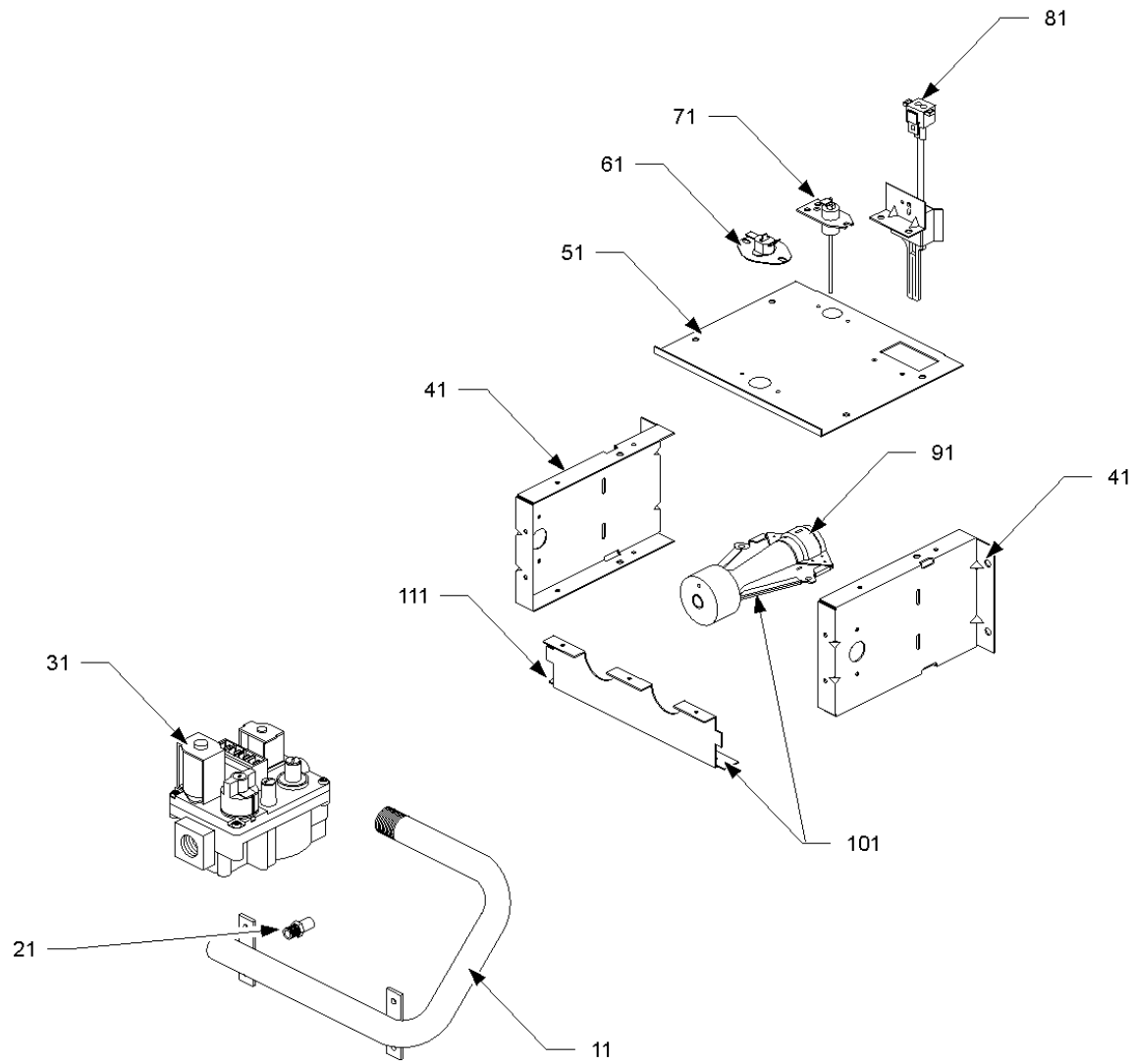
# Heat Exchanger Assy



# Heat Exchanger Assy

Ref. Part No:	No:	Description:	Ref. Part No:	No:	Description:
<i>Image 1:</i>			Expanded Model Nomenclature		
11	2521305S	SUB-ASSY, HEAT EXCHANGER (M9)	M1	-	GMPH050-3
11	2521306S	SUB-ASSY, HEAT EXCHANGER (M3, M13)	M2	-	GMPH075-4
11	2521300S	SUB-ASSY, HEAT EXCHANGER 2 CL (M1, M5, M6)	M3	-	GMPH080-5
11	2521301S	SUB-ASSY, HEAT EXCHANGER 3 CL (M2, M7, M8)	M4	-	GMPH120-5
11	2521302S	SUB-ASSY, HEAT EXCHANGER 4 CL (M10, M11, M12)	M5	-	GMP050-3
11	2521303S	SUB-ASSY, HEAT EXCHANGER 5 CL (M14, M15, M16)	M6	-	GMP050-32
11	2521304S	SUB-ASSY, HEAT EXCHANGER 6 CL (M4, M17, M18)	M7	-	GMP075-3
21	2510000S	FLUE COLLECTOR BOX 14" (M1, M5, M6, M7, M8)	M8	-	GMP075-32
21	2510001S	FLUE COLLECTOR BOX 17.5" (M2, M9, M10, M11, M12)	M9	-	GMP075-4
21	2510002S	FLUE COLLECTOR BOX 21" (M3, M13, M14, M15, M16)	M10	-	GMP100-3
21	2510003S	FLUE COLLECTOR BOX 24.5" (M4, M17, M18)	M11	-	GMP100-4
31	B1859005S	VENT MOTOR & HOUSING (GMP) (M1, M2, M3, M4, M5, M7, M9, M10, M11, M13, M14, M15, M17)	M12	-	GMP100-42
31	B18590505S	VENT MOTOR & HOUSING 50 HZ (M6, M8, M12, M16, M18)	M13	-	GMP100-5
41	4053501S	CHIMNEY	M14	-	GMP125-4
51	1370906S	PRIMARY LIMIT SWITCH 150°F (M6)	M15	-	GMP125-5
51	1370908S	PRIMARY LIMIT SWITCH 160°F (M7, M8)	M16	-	GMP125-52
51	1370910S	PRIMARY LIMIT SWITCH 170°F (M12)	M17	-	GMP150-5
51	1370902S	PRIMARY LIMIT SWITCH 210°F (M14)	M18	-	GMP150-52
51	B1370930	PRIMARY LIMIT SWITCH 210°F (M18)			
51	1370911S	PRIMARY LIMIT SWITCH 220°F (M9)			
51	1370914S	PRIMARY LIMIT SWITCH 220°F (M2, M4, M16, M17)			
51	1370903S	PRIMARY LIMIT SWITCH 240°F (M1)			
51	1370912S	PRIMARY LIMIT SWITCH 240°F (M3, M5, M13, M15)			
51	1370905S	PRIMARY LIMIT SWITCH 290°F (M10, M11)			
61	2528001S	FLUE RESTRICTOR PLATE 1.250 DIA (M1, M5)			
61	2528007S	FLUE RESTRICTOR PLATE 1.688 DIA (M2, M6, M7, M8, M9)			
61	2528008S	FLUE RESTRICTOR PLATE 1.875 DIA (M3, M4)			
61	2528002S	FLUE RESTRICTOR PLATE 2.125 DIA (M10, M11, M12, M13)			
61	2528003S	FLUE RESTRICTOR PLATE 2.250 DIA (M14, M15)			
61	2528005S	FLUE RESTRICTOR PLATE 2.375 DIA (M16, M17)			
61	2528004S	FLUE RESTRICTOR PLATE 2.500 DIA (M18)			
71	B1370168	MANUAL RESET LIMIT 180°F (M6)			
71	B1370167	MANUAL RESET LIMIT 230°F (M8)			
71	B1370169	MANUAL RESET LIMIT 240°F (M18)			
71	B1370170	MANUAL RESET LIMIT 260°F (M12)			
71	B1370171	MANUAL RESET LIMIT 340°F (M16)			
NS	2568425	DSI WIRE HARNESS 50 HZ (M6, M8, M12, M16, M18)			

# Burner Box Assy



# Burner Box Assy

Ref. Part No:	No:	Description:	Ref. Part No:	No:	Description:
<i>Image 1:</i>			Expanded Model Nomenclature		
11	B2526005	MANIFOLD - 2 BRNR (M6)	M1	-	GMPH050-3
11	B2526000	MANIFOLD - 3 BRNR (M1, M5)	M2	-	GMPH075-4
11	B2526001	MANIFOLD - 3 BRNR (M2, M7, M9)	M3	-	GMPH080-5
11	B2526006	MANIFOLD - 3 BRNR (M8)	M4	-	GMPH120-5
11	B2526002	MANIFOLD - 4 BRNR (M3, M10, M11, M13)	M5	-	GMP050-3
11	B2526007	MANIFOLD - 4 BRNR (M12)	M6	-	GMP050-32
11	B2526003	MANIFOLD - 5 BRNR (M14, M15)	M7	-	GMP075-3
11	B2526008	MANIFOLD - 5 BRNR (M16)	M8	-	GMP075-32
11	B2526004	MANIFOLD - 6 BRNR (M4, M17)	M9	-	GMP075-4
11	B2526009	MANIFOLD - 6 BRNR (M18)	M10	-	GMP100-3
21	B2589342	#42 ORIFICE (M2, M7, M9, M10, M11, M13, M14, M15)	M11	-	GMP100-4
21	B2589343	#43 ORIFICE (M1, M5, M17)	M12	-	GMP100-42
21	B2589345	#45 ORIFICE (M3, M4)	M13	-	GMP100-5
21	10716003	ORIFICE (M6, M8, M12, M16, M18)	M14	-	GMP125-4
31	B1282622	GAS VALVE (36E) (M6, M8, M12, M16, M18)	M15	-	GMP125-5
31	B1282628	GAS VALVE (36G) (M1, M2, M3, M4, M5, M7, M9, M10, M11, M13, M14, M15, M17)	M16	-	GMP125-52
41	2514000	BURNER BOX SIDE (QTY 2)	M17	-	GMP150-5
51	4013005	BURNER BOX TOP, 2 CELL (M6)	M18	-	GMP150-52
51	4013006	BURNER BOX TOP, 3 CELL (M8)			
51	4013007	BURNER BOX TOP, 4 CELL (M12)			
51	4013008	BURNER BOX TOP, 5 CELL (M16)			
51	4013009	BURNER BOX TOP, 6 CELL (M18)			
61	B1370154	ROLL OUT SWITCH, 350° W/O BRKT. (QTY 3)			
71	0130F00010	FLAME SENSOR			
81	B1401014	DIRECT SPARK IGNITOR-GMP 50HZ (M6, M8, M12, M16, M18)			
81	B1401018S	HOT SURFACE IGNITOR (M1, M2, M3, M4, M5, M7, M9, M10, M11, M13, M14, M15, M17)			
91	B4022700	INSHOT BURNER ASSY 3" (QTY AR)			
101	4022700S	BURNER RACK ASSY 2 CELL (M1, M5, M6)			
101	4022701S	BURNER RACK ASSY 3 CELL (M2, M7, M8, M9)			
101	4022702S	BURNER RACK ASSY 4 CELL (M3, M10, M11, M12, M13)			
101	4022703S	BURNER RACK ASSY 5 CELL (M14, M15, M16)			
101	4022704S	BURNER RACK ASSY 6 CELL (M4, M17, M18)			
111	2513500	BURNER BRACKET 2B (M1, M5, M6)			
111	2513501	BURNER BRACKET 3B (M2, M7, M8, M9)			
111	2513502	BURNER BRACKET 4B (M3, M10, M11, M12, M13)			
111	2513503	BURNER BRACKET 5B (M14, M15, M16)			
111	2513504	BURNER BRACKET 6B (M4, M17, M18)			

