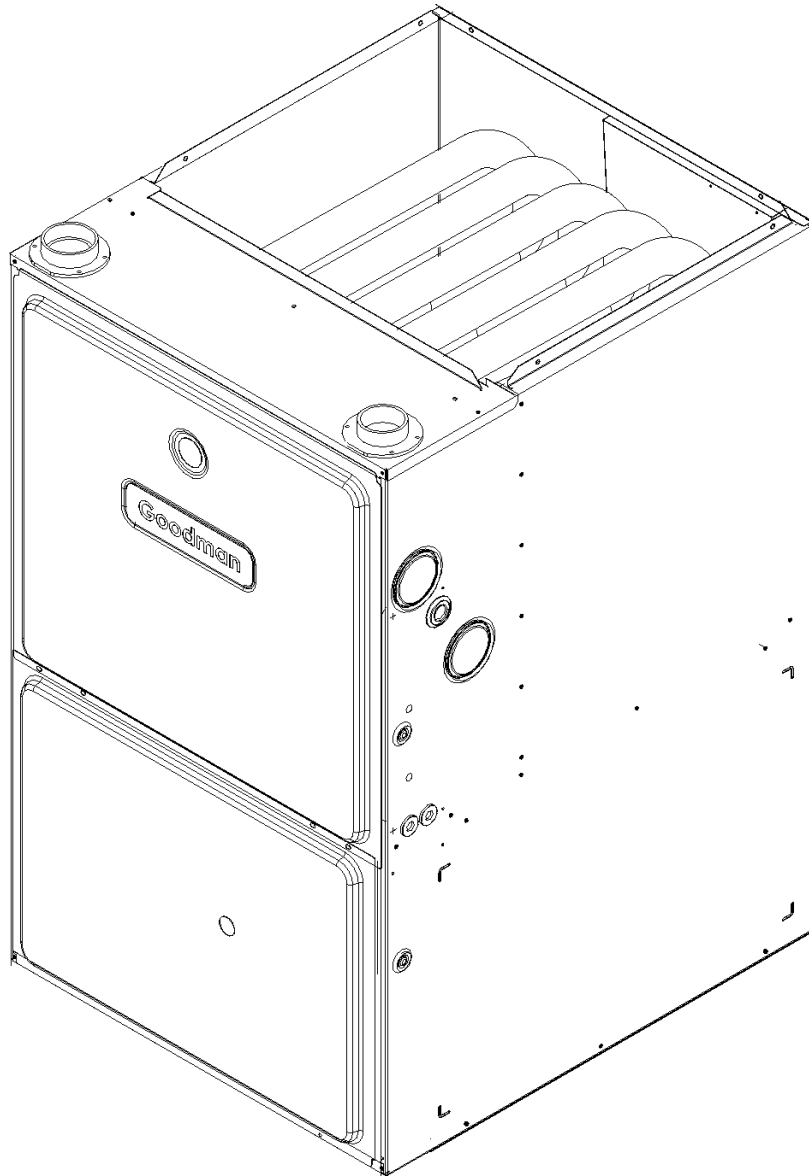


## GKS9 Single Stage PSC Upflow Furnace

GKS90453RX  
GKS90453RX  
GKS90453RX  
GKS90703RX  
GKS90703RX  
GKS90703RX  
GKS90703RX  
GKS90703RX  
GKS90704CX  
GKS90704CX  
GKS90704CX  
GKS90904CX  
GKS90904CX  
GKS90904CX  
GKS90904CX  
GKS90904CX  
GKS90905DX  
GKS90905DX  
GKS90905DX  
GKS91155DX  
GKS91155DX  
GKS91155DX  
GKS91155DX



This manual is to be used by qualified technicians only.

This manual replaces RP-410E.

© 2006-2008 Goodman Manufacturing Company, L.P. ♦ 5151 San Felipe, Suite 500 ♦ Houston, TX 77056

# Important Information

---

## Index

Functional Parts List .....	3
Illustration and Parts .....	4 - 11

*Views shown are for parts illustrations only, not servicing procedures*

Rev. F: Added model GKS90703BXAE and ACCESS DOOR GASKET (121).

Updated 1-2-13:: updated 0130F00001P pressure switch to 0130F0000P pressure switch

Updated 1-23-13: corrected Heat Exchanger Assy information

### Text Codes:

AR - As Required

NA - Not Available

NS - Not Shown

00000000 - See Note

QTY - Quantity Example (QTY 3) (If Quantity not shown, Quantity = 1)

M - Model Example (M1) (If M Code not shown, then part is used on all Models)

### Expanded Model Nomenclature:

Example M1 - Model#1 M2 - Model#2 M3 - Model#3
---------------------------------------------------------

Goodman Manufacturing Company, L.P. is not responsible for personal injury or property damage resulting from improper service. Review all service information before beginning repairs.

Warranty service must be performed by an authorized technician, using authorized factory parts. If service is required after the warranty expires, Goodman Manufacturing Company, L.P. also recommends contacting an authorized technician and using authorized factory parts.

Goodman Manufacturing Company, L.P. reserves the right to discontinue, or change at any time, specifications or designs without notice or without incurring obligations.

For assistance within the U.S.A. contact:  
Consumer Affairs Department  
Goodman Manufacturing Company, L.P.  
7401 Security Way  
Houston, Texas 77040  
877-254-4729-Telephone  
713-863-2382-Facsimile

For assistance outside the U.S.A. contact:  
International Division  
Goodman Manufacturing Company, L.P.  
7401 Security Way  
Houston, Texas 77040  
713-861-2500-Telephone  
713-863-2382-Facsimile

# Functional Parts

## Part

## No: Description:

## Expanded Model Nomenclature

B1340024S	BLOWER MOTOR 1/2 HP, 4 SP, 6 PL (M9, M10, M11, M12, M13, M14, M15, M16)
0131F00020	BLOWER MOTOR 1/3 HP, 4 SP, 6 PL (M1, M2, M3, M4, M5, M6, M7, M8)
10759415S	BLOWER MOTOR 3/4 HP, 4 SP, 8 PL (M17, M18, M19, M20, M21, M22, M23)
CAP125000370VAS	CAPACITOR 12.5/370V (M1, M2, M3, M4, M5, M6, M7, M8)
CAP150000370VAS	CAPACITOR 15/370V (M17, M18, M19, M20, M21, M22, M23)
CAP200000370VAS	CAPACITOR 20/370V (M9, M10, M11, M12, M13, M14, M15, M16)
0130F00010	FLAME SENSOR
0130F00005S	IGNITION BOARD, HSI INTEGRATED
20165703S	IGNITOR
B1370818	INTERLOCK SWITCH
10123535	MANUAL RESET LIMIT (M1, M2, M3, M4, M5, M6, M7, M8, M9, M10, M11, M12, M13, M14, M15, M16, M17, M18, M19)
10123533	MANUAL RESET LIMIT
20197312	PRESSURE SWITCH-LIGHT BLUE (M1, M9, M17)
0130F00002P	PRESSURE SWITCH-OLIVE (M16)
20197310	PRESSURE SWITCH-ORANGE (M12, M20)
0130F00004	PRESSURE SWITCH-RED (M4, M18, M19)
0130F00000P	PRESSURE SWITCH-SUNGOLD (M2, M3, M5, M6, M7, M8, M10, M11, M13, M14, M15, M21, M22, M23)
20162903	PRIMARY LIMIT-BLUE (M4, M5, M6, M7, M8, M9, M10, M11, M17, M18, M19)
20162904	PRIMARY LIMIT-TEMPERATURE CONTROL (M1, M2, M3, M12, M13, M14, M15, M16)
20162906	PRIMARY LIMIT-WHITE (M20, M21, M22, M23)
B1141605	TRANSFORMER 120V TO 24V, 40 VA

M1 - GKS90453BXAA
M2 - GKS90453BXAB
M3 - GKS90453BXAC
M4 - GKS90703BXAA
M5 - GKS90703BXAB
M6 - GKS90703BXAC
M7 - GKS90703BXAD
M8 - GKS90703BXAE
M9 - GKS90704CXAA
M10 - GKS90704CXAB
M11 - GKS90704CXAC
M12 - GKS90904CXAA
M13 - GKS90904CXAB
M14 - GKS90904CXAC
M15 - GKS90904CXAD
M16 - GKS90904CXAE
M17 - GKS90905DXAA
M18 - GKS90905DXAB
M19 - GKS90905DXAC
M20 - GKS91155DXAA
M21 - GKS91155DXAB
M22 - GKS91155DXAC
M23 - GKS91155DXAD

## SPECIAL PARTS

IO-300E	INSTALLATION INSTRUCTIONS
IO-669	KIT INSTRUCTIONS-HUMIDIFIER
0161F00000P	NAMEPLATE, GOODMAN
RP-410F	REPAIR PARTS MANUAL
IO-661	SPECIAL INSTRUCTIONS-MASSACHUSETTS
0270F00399	STANDPIPE BAG ASSY
HI-115A	USERS MANUAL

# Cabinet

Image 1

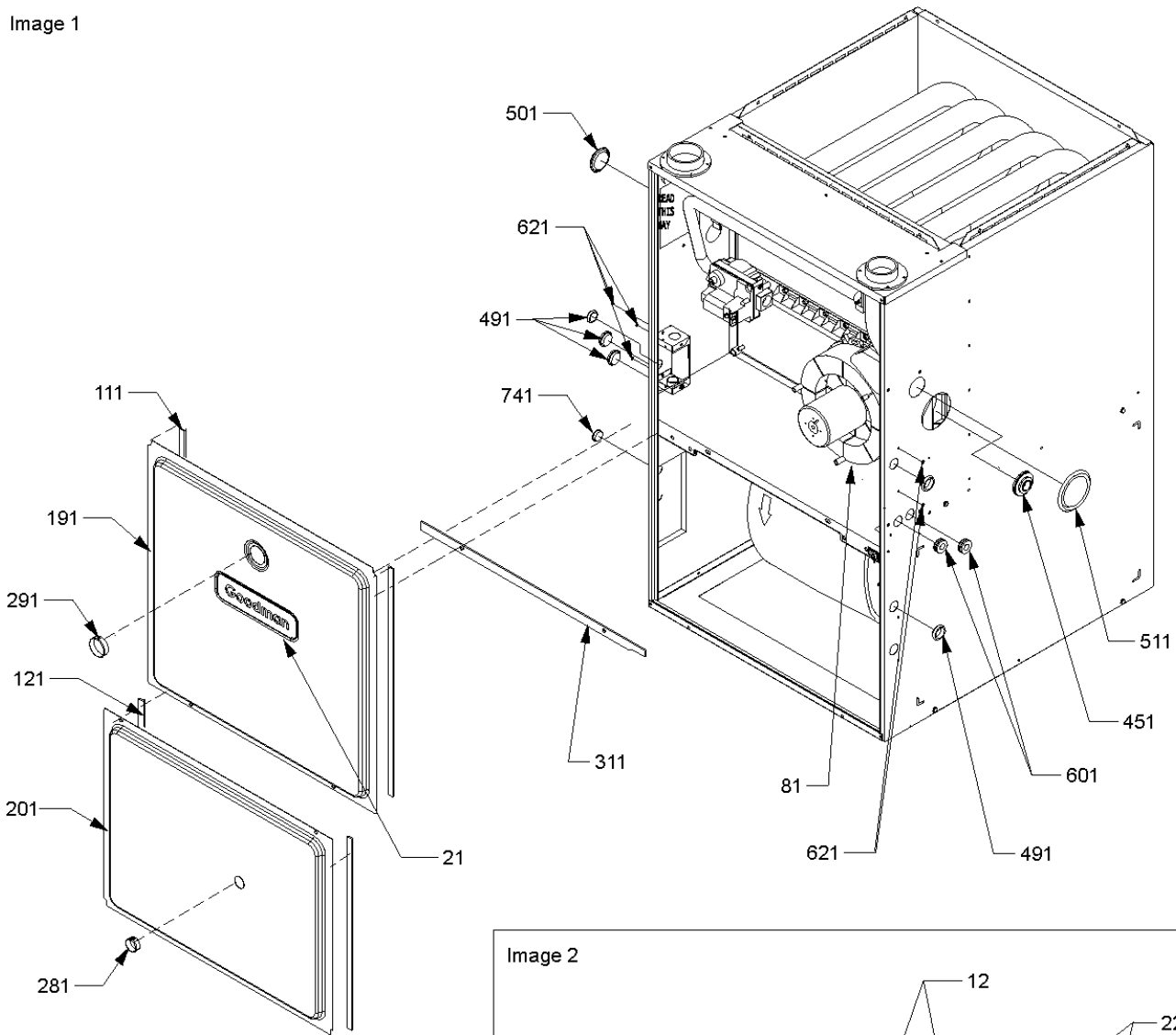
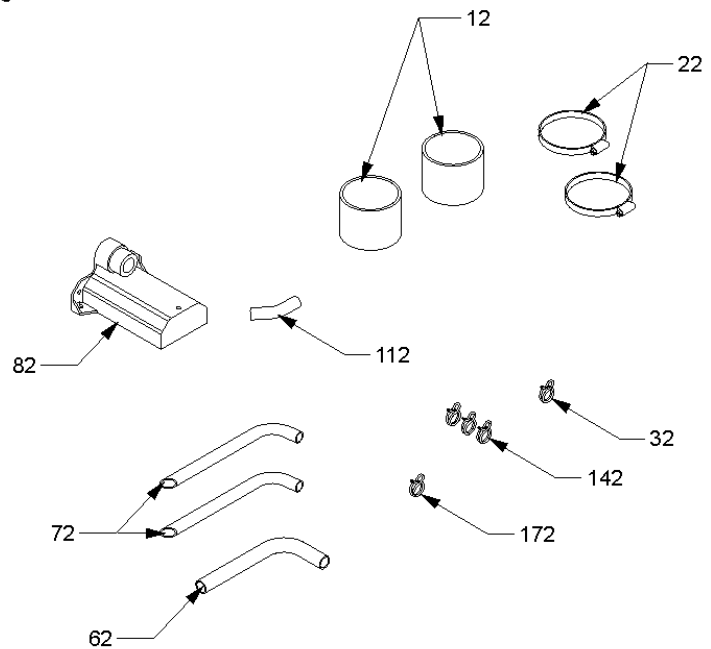


Image 2



# Cabinet

Ref. Part No: No:	Description:	Ref. Part No: No:	Description:
-------------------	--------------	-------------------	--------------

*Image 1:*

21	0161F00000P	NAMEPLATE, GOODMAN
81	20201902	DRAIN HOSE
111	20179308	GASKET (QTY 2)
121	20194605	GASKET (M1, M2, M3, M4, M5, M6, M7, M8)
121	20194606	GASKET (M9, M10, M11, M12, M13, M14, M15, M16)
121	20194607	GASKET (M17, M18, M19, M20, M21, M22, M23)
191	0121F00072DGS	ACCESS DOOR (M1, M2, M3, M4, M5, M6, M7, M8)
191	0121F00073DGS	ACCESS DOOR (M9, M10, M11, M12, M13, M14, M15, M16)
191	0121F00074DGS	ACCESS DOOR (M17, M18, M19, M20, M21, M22, M23)
201	0121F00069DGS	BLOWER DOOR (M1, M2, M3, M4, M5, M6, M7, M8)
201	0121F00070DG	BLOWER DOOR (M9, M10, M11, M12, M13, M14, M15, M16)
201	0121F00071DG	BLOWER DOOR (M17, M18, M19, M20, M21, M22, M23)
281	B1392139	VIEW PORT BUSHING-BLOWER DOOR
291	11104002	VIEW PORT BUSHING-ACCESS DOOR (M1, M2, M4, M5, M9, M10, M12, M13, M17, M18, M20, M21)
291	B1392139	VIEW PORT BUSHING-ACCESS DOOR (M3, M6, M7, M8, M11, M14, M15, M16, M19, M22, M23)
311	22320001	DECK GASKET (M1, M2, M3, M4, M5, M6, M7, M8)
311	22320002	DECK GASKET (M9, M10, M11, M12, M13, M14, M15, M16)
311	22320003	DECK GASKET (M17, M18, M19, M20, M21, M22, M23)
451	M0501301	PIPE GROMMET
491	M0570808	BUTTON PLUG (QTY 4)
501	M0570806	PLUG-BUTTON
511	M0570807	BUTTON PLUG
601	A4691701	GROMMET (QTY 2)
621	M0310345	BUTTON PLUG (QTY 2)
741	B1392104	UNIVERSAL BUSHING UB 875 (QTY AR)
NS	0270F00399	STANDPIPE BAG ASSY
NS	0159F00003	WIRING HARNESS

Expanded Model Nomenclature

M1 - GKS90453BXAA
M2 - GKS90453BXAB
M3 - GKS90453BXAC
M4 - GKS90703BXAA
M5 - GKS90703BXAB
M6 - GKS90703BXAC
M7 - GKS90703BXAD
M8 - GKS90703BXAE
M9 - GKS90704CXAA
M10 - GKS90704CXAB
M11 - GKS90704CXAC
M12 - GKS90904CXAA
M13 - GKS90904CXAB
M14 - GKS90904CXAC
M15 - GKS90904CXAD
M16 - GKS90904CXAE
M17 - GKS90905DXAA
M18 - GKS90905DXAB
M19 - GKS90905DXAC
M20 - GKS91155DXAA
M21 - GKS91155DXAB
M22 - GKS91155DXAC
M23 - GKS91155DXAD

*Image 2:*

12	10254303	RUBBER COUPLING
22	0163M00049	HOSE CLAMP (QTY 2)
32	M0119207	HOSE CLAMP
62	20201901	DRAIN HOSE
72	20201802	DRAIN TUBE (QTY 2)
82	20171701	DRAIN TRAP
112	20214203	DRAIN ANGLE
142	M0119205	HOSE CLAMP (QTY 3)
172	M0119206	HOSE CLAMP

# Blower Assembly

Image 1

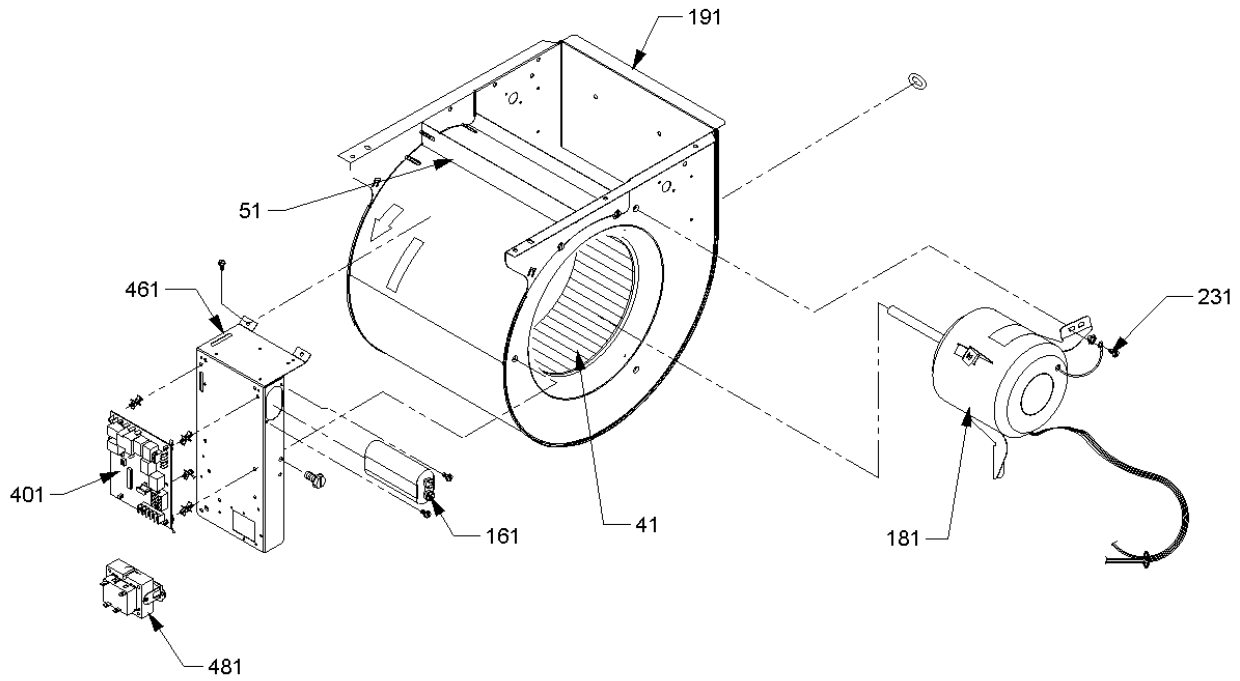
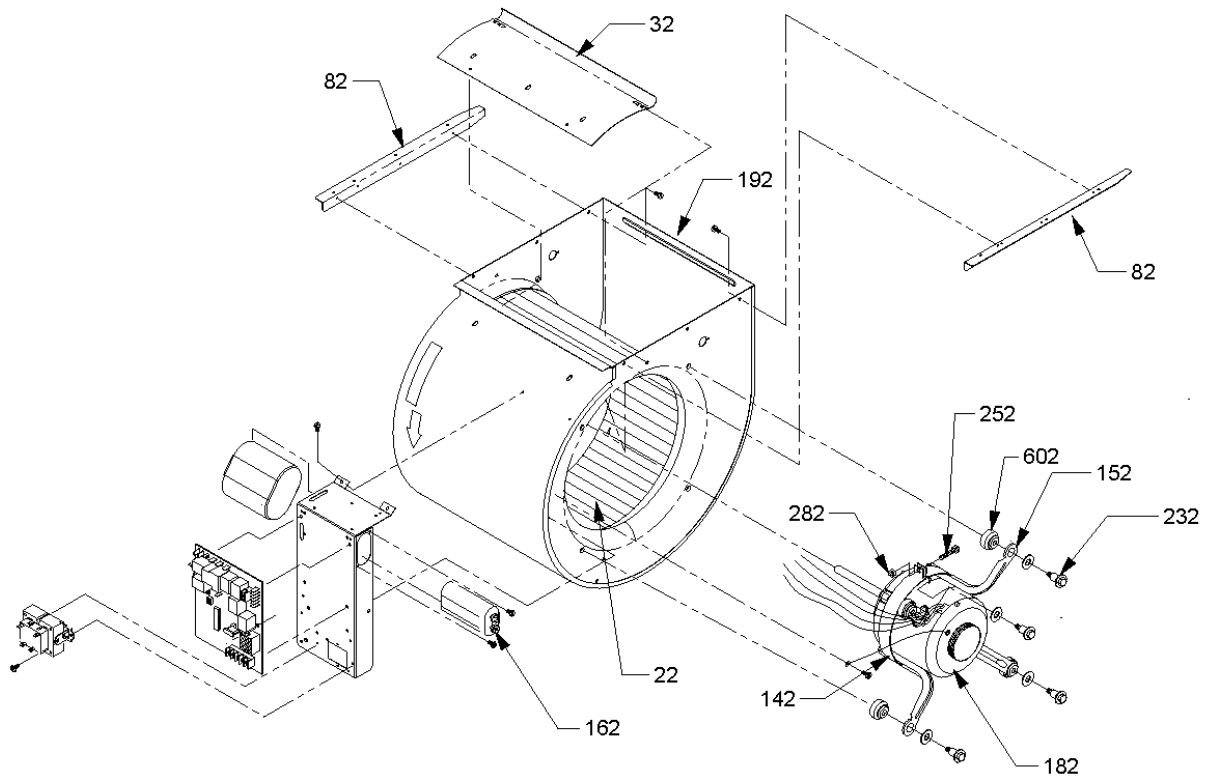


Image 2



# Blower Assembly

**Ref. Part  
No: No:**

**Description:**

**Ref. Part  
No: No:**

**Description:**

*Image 1:*

41	B1368047	BLOWER WHEEL 10 X 10 (M9, M10, M11, M12, M13, M14, M15, M16)
41	B1368058S	BLOWER WHEEL 10 X 8 (M1, M2, M3, M4, M5, M6, M7, M8)
51	764741F	BLOWER BLOCK-OFF 10 X 10 (M9, M10, M11, M12, M13, M14, M15, M16)
51	764740F	BLOWER BLOCK-OFF 10 X 8 (M1, M2, M3, M4, M5, M6, M7, M8)
161	CAP125000370VAS	CAPACITOR 12.5/370V (M1, M2, M3, M4, M5, M6, M7, M8)
161	CAP200000370VAS	CAPACITOR 20/370V (M9, M10, M11, M12, M13, M14, M15, M16)
181	B1340024S	BLOWER MOTOR 1/2 HP, 4 SP, 6 PL (M9, M10, M11, M12, M13, M14, M15, M16)
181	0131F00020	BLOWER MOTOR 1/3 HP, 4 SP, 6 PL (M1, M2, M3, M4, M5, M6, M7, M8)
191	0271F00003PS	BLOWER HOUSING ASSY 10 X 10 (M9, M10, M11, M12, M13, M14, M15, M16)
191	0271F00000P	BLOWER HOUSING ASSY 10 X 8 (M1, M2, M3, M4, M5, M6, M7, M8)
231	M0250558	TC SCREW (M1, M2, M3, M4, M5, M6, M7, M8, M9, M10, M11, M12, M13, M14, M15, M16)
401	0130F00005S	IGNITION BOARD, HSI INTEGRATED
461	0121F00025P	CONTROL BRACKET
481	B1141605	TRANSFORMER 120V TO 24V, 40 VA

*Image 2:*

22	D6723311S	BLOWER WHEEL (M17, M18, M19, M20, M21, M22, M23)
32	C6121807	BLOWER CUT-OFF (M17, M18, M19, M20, M21, M22, M23)
82	20175101	BLOWER SIDE RAIL (M17, M18, M19, M20, M21, M22, M23)
142	10441601	MOTOR MOUNT BAND (M17, M18, M19, M20, M21, M22, M23)
152	10441501	MOTOR MOUNT ARM (M17, M18, M19, M20, M21, M22, M23)
162	CAP150000370VAS	CAPACITOR 15/370V (M17, M18, M19, M20, M21, M22, M23)
182	10759415S	BLOWER MOTOR 3/4 HP, 4 SP, 8 PL (M17, M18, M19, M20, M21, M22, M23)
192	0271F00048	BLOWER HOUSING ASSY 11 X 10 (M17, M18, M19, M20, M21, M22, M23)
232	M0221461	TC SCREW (M17, M18, M19, M20, M21, M22, M23)
252	M0267144	MACHINE SCREW (M17, M18, M19, M20, M21, M22, M23)
282	M0282015	KEPS NUT (M17, M18, M19, M20, M21, M22, M23)
602	A4002702	BLOWER MOTOR GROMMET (M17, M18, M19, M20, M21, M22, M23)

Expanded Model Nomenclature

M1 - GKS90453BXAA
M2 - GKS90453BXAB
M3 - GKS90453BXAC
M4 - GKS90703BXAA
M5 - GKS90703BXAB
M6 - GKS90703BXAC
M7 - GKS90703BXAD
M8 - GKS90703BXAE
M9 - GKS90704CXAA
M10 - GKS90704CXAB
M11 - GKS90704CXAC
M12 - GKS90904CXAA
M13 - GKS90904CXAB
M14 - GKS90904CXAC
M15 - GKS90904CXAD
M16 - GKS90904CXAE
M17 - GKS90905DXAA
M18 - GKS90905DXAB
M19 - GKS90905DXAC
M20 - GKS91155DXAA
M21 - GKS91155DXAB
M22 - GKS91155DXAC
M23 - GKS91155DXAD

# Chassis

Image 1

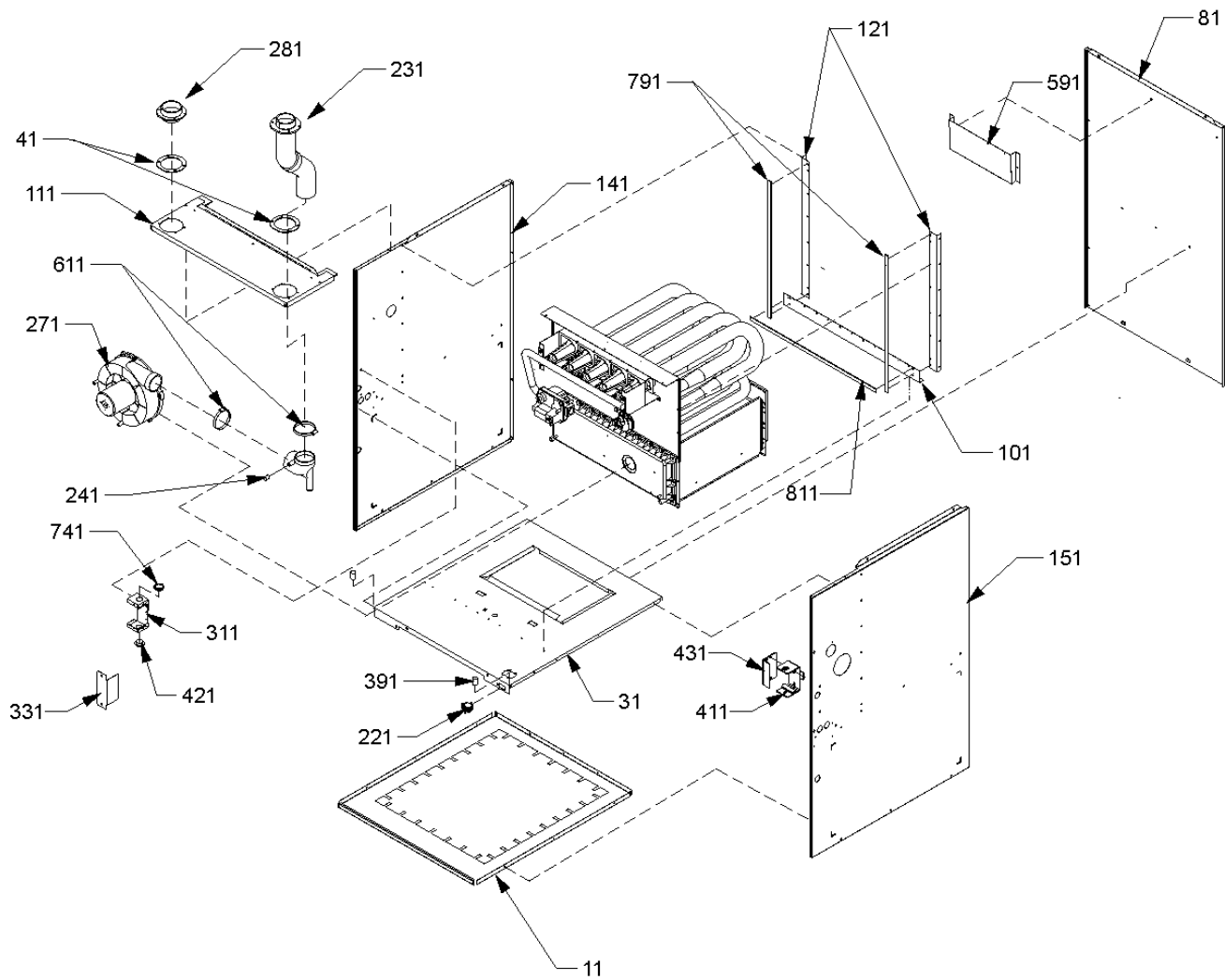
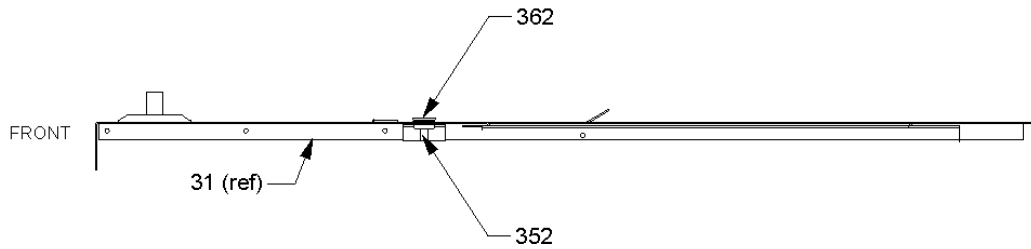


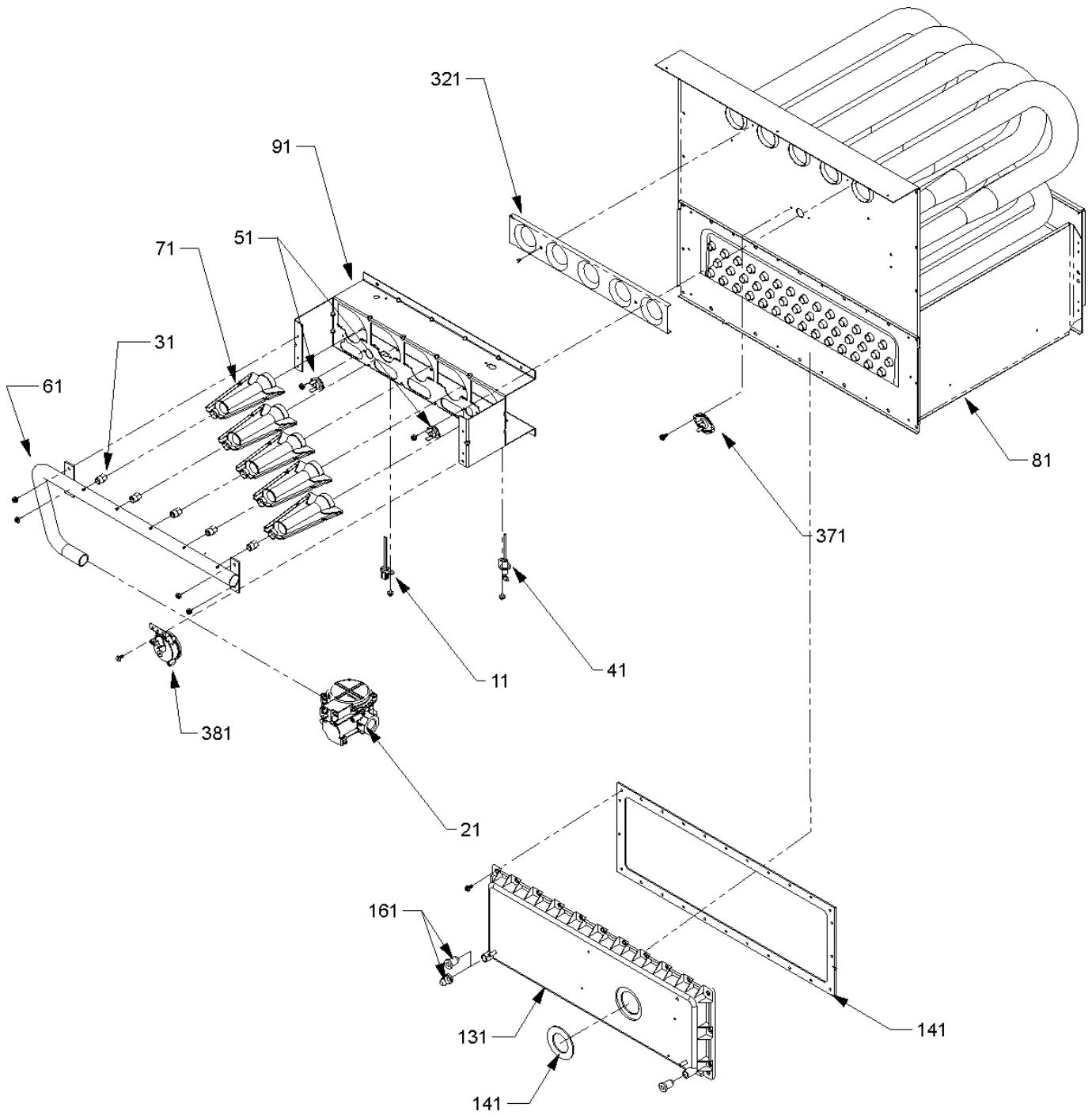
Image 2



# Chassis

Ref. Part No: No:	Description:	Ref. Part No: No:	Description:																								
<i>Image 1:</i>		<i>Image 1:</i>																									
11	0121F00050DGS	BASE PAN (M1, M2, M3, M4, M5, M6, M7, M8)	611 0163M00049	HOSE CLAMP (QTY 2)																							
11	0121F00051DG	BASE PAN (M9, M10, M11, M12, M13, M14, M15, M16)	741 B1392104	UNIVERSAL BUSHING UB 875 (QTY 2)																							
11	0121F00052DG	BASE PAN (M17, M18, M19, M20, M21, M22, M23)	791 20194608	GASKET (QTY 2)																							
31	0121F00043	BLOWER DECK (M1, M2, M3, M4, M5, M6, M7, M8)	811 20194605	GASKET (M1, M2, M3, M4, M5, M6, M7, M8)																							
31	0121F00045	BLOWER DECK (M9, M10, M11, M12, M13, M14, M15, M16)	811 20194606	GASKET (M9, M10, M11, M12, M13, M14, M15, M16)																							
31	0121F00048	BLOWER DECK (M17, M18, M19, M20, M21, M22, M23)	811 20194607	GASKET (M17, M18, M19, M20, M21, M22, M23)																							
41	0154F00000P	COIL GASKET (M1, M2, M3, M4, M5, M6, M7, M8)	NS C6415909	HEAT EXCHANGER INSULATION (M17, M18, M19, M20, M21, M22, M23)																							
41	0154F00001P	COIL GASKET (M9, M10, M11, M12, M13, M14, M15, M16)	NS C6415910	HEAT EXCHANGER INSULATION (M1, M2, M3, M4, M5, M6, M7, M8)																							
41	0154F00002P	COIL GASKET (M17, M18, M19, M20, M21, M22, M23)	NS C6415911	HEAT EXCHANGER INSULATION (M9, M10, M11, M12, M13, M14, M15, M16)																							
81	20273208	BACK PANEL (M1, M2, M3, M4, M5, M6, M7, M8)	NS 0164M00002	PRESSURE SWITCH HOSE																							
81	20273210	BACK PANEL (M9, M10, M11, M12, M13, M14, M15, M16)	<i>Image 2:</i>																								
81	20273212	BACK PANEL (M17, M18, M19, M20, M21, M22, M23)	352 10861101	AUXILIARY LIMIT BRACKET																							
101	0121F00018P	DECK RAIL (M1, M2, M3, M4, M5, M6, M7, M8)	362 10123519	AUXILIARY LIMIT (M20, M21, M22, M23)																							
101	0121F00019P	DECK RAIL (M9, M10, M11, M12, M13, M14, M15, M16)	362 10123535	MANUAL RESET LIMIT (M1, M2, M3, M4, M5, M6, M7, M8, M9, M10, M11, M12, M13, M14, M15, M16, M17, M18, M19)																							
101	20191303	DECK RAIL (M17, M18, M19, M20, M21, M22, M23)	Expanded Model Nomenclature																								
111	0270F00001PS	TOP COVER ASSY (M9, M10, M11, M12, M13, M14, M15, M16)	<table border="1"> <tr><td>M1 - GKS90453BXAA</td></tr> <tr><td>M2 - GKS90453BXAB</td></tr> <tr><td>M3 - GKS90453BXAC</td></tr> <tr><td>M4 - GKS90703BXAA</td></tr> <tr><td>M5 - GKS90703BXAB</td></tr> <tr><td>M6 - GKS90703BXAC</td></tr> <tr><td>M7 - GKS90703BXAD</td></tr> <tr><td>M8 - GKS90703BXAE</td></tr> <tr><td>M9 - GKS90704CXAA</td></tr> <tr><td>M10 - GKS90704CXAB</td></tr> <tr><td>M11 - GKS90704CXAC</td></tr> <tr><td>M12 - GKS90904CXAA</td></tr> <tr><td>M13 - GKS90904CXAB</td></tr> <tr><td>M14 - GKS90904CXAC</td></tr> <tr><td>M15 - GKS90904CXAD</td></tr> <tr><td>M16 - GKS90904CXAE</td></tr> <tr><td>M17 - GKS90905DXAA</td></tr> <tr><td>M18 - GKS90905DXAB</td></tr> <tr><td>M19 - GKS90905DXAC</td></tr> <tr><td>M20 - GKS91155DXAA</td></tr> <tr><td>M21 - GKS91155DXAB</td></tr> <tr><td>M22 - GKS91155DXAC</td></tr> <tr><td>M23 - GKS91155DXAD</td></tr> </table>		M1 - GKS90453BXAA	M2 - GKS90453BXAB	M3 - GKS90453BXAC	M4 - GKS90703BXAA	M5 - GKS90703BXAB	M6 - GKS90703BXAC	M7 - GKS90703BXAD	M8 - GKS90703BXAE	M9 - GKS90704CXAA	M10 - GKS90704CXAB	M11 - GKS90704CXAC	M12 - GKS90904CXAA	M13 - GKS90904CXAB	M14 - GKS90904CXAC	M15 - GKS90904CXAD	M16 - GKS90904CXAE	M17 - GKS90905DXAA	M18 - GKS90905DXAB	M19 - GKS90905DXAC	M20 - GKS91155DXAA	M21 - GKS91155DXAB	M22 - GKS91155DXAC	M23 - GKS91155DXAD
M1 - GKS90453BXAA																											
M2 - GKS90453BXAB																											
M3 - GKS90453BXAC																											
M4 - GKS90703BXAA																											
M5 - GKS90703BXAB																											
M6 - GKS90703BXAC																											
M7 - GKS90703BXAD																											
M8 - GKS90703BXAE																											
M9 - GKS90704CXAA																											
M10 - GKS90704CXAB																											
M11 - GKS90704CXAC																											
M12 - GKS90904CXAA																											
M13 - GKS90904CXAB																											
M14 - GKS90904CXAC																											
M15 - GKS90904CXAD																											
M16 - GKS90904CXAE																											
M17 - GKS90905DXAA																											
M18 - GKS90905DXAB																											
M19 - GKS90905DXAC																											
M20 - GKS91155DXAA																											
M21 - GKS91155DXAB																											
M22 - GKS91155DXAC																											
M23 - GKS91155DXAD																											
111	0270F00002PS	TOP COVER ASSY (M17, M18, M19, M20, M21, M22, M23)																									
111	0270F00100PS	TOP COVER ASSY (M1, M2, M3, M4, M5, M6, M7, M8)																									
121	20191602	SIDE RAIL (M1, M2, M3, M4, M5, M6, M7, M8)																									
121	20191603	SIDE RAIL (M9, M10, M11, M12, M13, M14, M15, M16)																									
121	20191604	SIDE RAIL (M17, M18, M19, M20, M21, M22, M23)																									
141	0121F00092DGS	SIDE PANEL LH																									
151	0121F00090DGS	SIDE PANEL RH																									
221	B1370818	INTERLOCK SWITCH																									
231	22309501	FLUE PIPE																									
241	20171802	ELBOW																									
271	22307501S	ID BLOWER																									
281	20049701	FA COUPLING																									
311	10736102	HIGH VOLTAGE BOX (M1, M2, M4, M5, M9, M10, M12, M13, M17, M18, M20, M21)																									
331	10736201	COVER, HIGH VOLTAGE BOX (M1, M2, M4, M5, M9, M10, M12, M13, M17, M18, M20, M21)																									
391	M0275521	PLASTIC SEALER (M20, M21, M22, M23)																									
411	0161F00004	JUNCTION BOX-PLA (M3, M6, M7, M8, M11, M14, M15, M16, M19, M22, M23)																									
421	A4554801	SNAP BUSHING (M1, M2, M4, M5, M9, M10, M12, M13, M17, M18, M20, M21)																									
431	0161F00005	JUNCTION BOX-LID (M3, M6, M7, M8, M11, M14, M15, M16, M19, M22, M23)																									
591	11165107	ID BLOWER SHIELD																									

# Heat Exchanger/Manifold/Gas Valve



# Heat Exchanger/Manifold/Gas Valve

Ref. Part No:	No:	Description:	Ref. Part No:	No:	Description:
<i>Image 1:</i>			<i>Image 1:</i>		
11	20165703S	IGNITOR	131	20170904AS	FRONT COVER (M13, M14, M15, M16)
21	B1282628	GAS VALVE (36G)	131	20171001AS	FRONT COVER (M17, M18, M19)
31	10716003	ORIFICE (QTY 2)	131	20171002AS	FRONT COVER (M20, M21, M22, M23)
41	0130F00010	FLAME SENSOR	141	0154F00000P	COIL GASKET (M1, M2, M3, M4, M5, M6, M7, M8)
51	10123533	MANUAL RESET LIMIT	141	0154F00001P	COIL GASKET (M9, M10, M11, M12, M13, M14, M15, M16)
61	20196401	MANIFOLD - 2 BRNR (M1, M2, M3)	141	0154F00002P	COIL GASKET (M17, M18, M19, M20, M21, M22, M23)
61	20196402	MANIFOLD - 3 BRNR (M4, M5, M6, M7, M8, M9, M10, M11)	161	M0326804	TUBE PLUG (QTY AR)
61	20196403	MANIFOLD - 4 BRNR (M12, M13, M14, M15, M16, M17, M18, M19)	321	11072201	ORIFICE SHIELD (M1, M2, M3)
61	20196404	MANIFOLD - 5 BRNR (M20, M21, M22, M23)	321	11072202	ORIFICE SHIELD (M4, M5, M6, M7, M8, M9, M10, M11)
71	10735102S	BECKETT BURNER (QTY 2)	321	11072203	ORIFICE SHIELD (M12, M13, M14, M15, M16, M17, M18, M19)
81	0257F00038P	HEAT EXCHANGER ASSY 2B (M1)	321	11072204	ORIFICE SHIELD (M20, M21, M22, M23)
81	0257F00078	HEAT EXCHANGER ASSY 2B (M2)	371	20162903	PRIMARY LIMIT-BLUE (M4, M5, M6, M7, M8, M9, M10, M11, M17, M18, M19)
81	0257F00148	HEAT EXCHANGER ASSY 2B (M3)	371	20162904	PRIMARY LIMIT-TEMPERATURE CONTROL (M1, M2, M3, M12, M13, M14, M15, M16)
81	0257F00039P	HEAT EXCHANGER ASSY 3B (M4)	371	20162906	PRIMARY LIMIT-WHITE (M20, M21, M22, M23)
81	0257F00040P	HEAT EXCHANGER ASSY 3B (M9)	381	20197312	PRESSURE SWITCH-LIGHT BLUE (M1, M9, M17)
81	0257F00079	HEAT EXCHANGER ASSY 3B (M5)	381	0130F00002P	PRESSURE SWITCH-OLIVE (M16)
81	0257F00080	HEAT EXCHANGER ASSY 3B (M10)	381	20197310	PRESSURE SWITCH-ORANGE (M12, M20)
81	0257F00149	HEAT EXCHANGER ASSY 3B (M6)	381	0130F00004	PRESSURE SWITCH-RED (M4, M18, M19)
81	0257F00150	HEAT EXCHANGER ASSY 3B (M11)	381	0130F00000P	PRESSURE SWITCH-SUNGOLD (M2, M3, M5, M6, M7, M8, M10, M11, M13, M14, M15, M21, M22, M23)
81	0257F00175	HEAT EXCHANGER ASSY 3B (M7)			
81	0257F00181	HEAT EXCHANGER ASSY 3B (M8)			
81	0257F00041P	HEAT EXCHANGER ASSY 4B (M12)			
81	0257F00081	HEAT EXCHANGER ASSY 4B (M13)			
81	0257F00082	HEAT EXCHANGER ASSY 4B (M18)			
81	0257F00151	HEAT EXCHANGER ASSY 4B (M14)			
81	0257F00152	HEAT EXCHANGER ASSY 4B (M19)			
81	0257F00176	HEAT EXCHANGER ASSY 4B (M15, M16)			
81	20418617	HEAT EXCHANGER ASSY 4B (M17)			
81	0257F00083	HEAT EXCHANGER ASSY 5B (M21)			
81	0257F00153	HEAT EXCHANGER ASSY 5B (M22)			
81	0257F00177	HEAT EXCHANGER ASSY 5B (M23)			
81	20418618	HEAT EXCHANGER ASSY 5B (M20)			
91	20190410	BURNER BRACKET 2B (M1, M2, M3)			
91	20190411	BURNER BRACKET 3B (M4, M5, M6, M7, M8, M9, M10, M11)			
91	20190412	BURNER BRACKET 4B (M12, M13, M14, M15, M16, M17, M18, M19)			
91	20190413	BURNER BRACKET 5B (M20, M21, M22, M23)			
131	20170801AS	FRONT COVER (M1)			
131	20170802AS	FRONT COVER (M4, M8)			
131	20170807AS	FRONT COVER (M2, M3)			
131	20170808AS	FRONT COVER (M5, M6, M7)			
131	20170901AS	FRONT COVER (M9, M10, M11)			
131	20170902AS	FRONT COVER (M12)			

# Heat Exchanger/Manifold/Gas Valve

**Ref. Part**

**No: No:**

**Description:**

**Ref. Part**

**No: No:**

**Description:**

---

Expanded Model Nomenclature

M1 - GKS90453BXAA
M2 - GKS90453BXAB
M3 - GKS90453BXAC
M4 - GKS90703BXAA
M5 - GKS90703BXAB
M6 - GKS90703BXAC
M7 - GKS90703BXAD
M8 - GKS90703BXAE
M9 - GKS90704CXAA
M10 - GKS90704CXAB
M11 - GKS90704CXAC
M12 - GKS90904CXAA
M13 - GKS90904CXAB
M14 - GKS90904CXAC
M15 - GKS90904CXAD
M16 - GKS90904CXAE
M17 - GKS90905DXAA
M18 - GKS90905DXAB
M19 - GKS90905DXAC
M20 - GKS91155DXAA
M21 - GKS91155DXAB
M22 - GKS91155DXAC
M23 - GKS91155DXAD