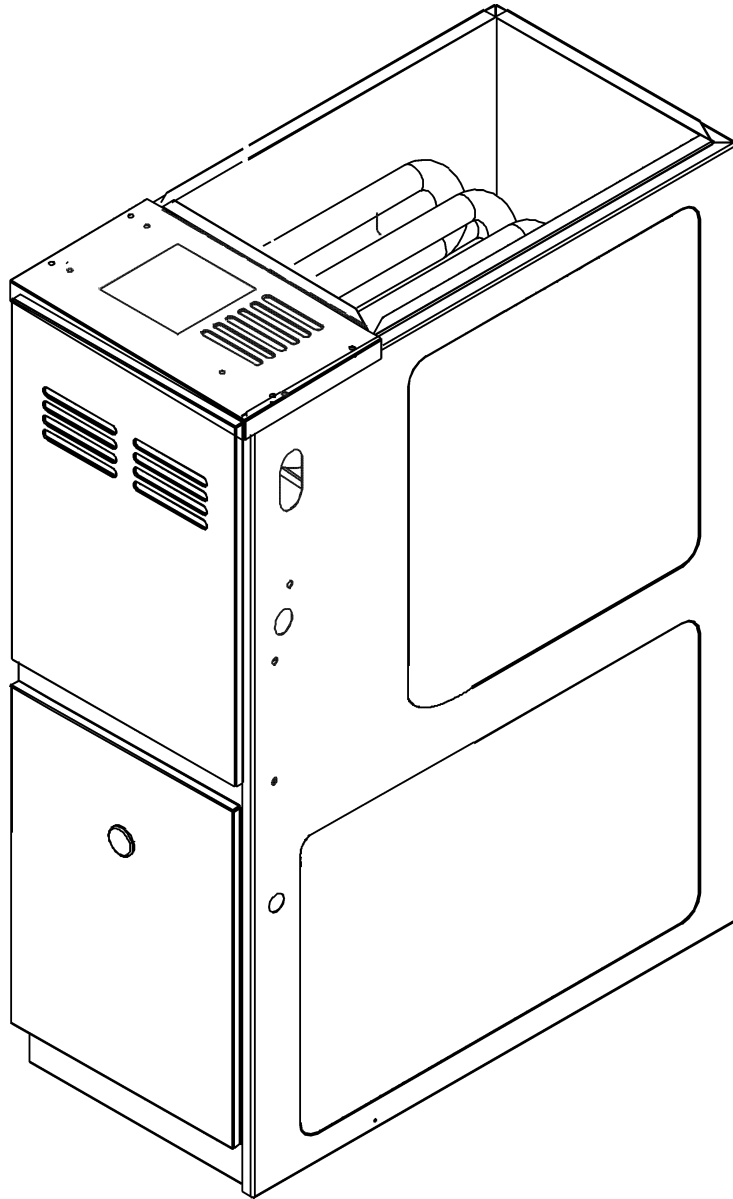


## GDS 80% Single Stage Dedicated Downflow Furnace

GDS80403ANBE  
GDS80403AXBE  
GDS80603ANBE  
GDS80603AXBE  
GDS80804BNBE  
GDS80804BXBE



This manual is to be used by qualified technicians only.

This manual replaces RP-G2307.

© 2016 - 2017 Goodman Manufacturing Company, L.P. ♦ 5151 San Felipe St., Suite 500 ♦ Houston, TX 77056

# Important Information

---

## Index

Functional Parts List .....	3
Illustration and Parts .....	4 - 9

*Views shown are for parts illustrations only, not servicing procedures*

### Text Codes:

AR - As Required

NA - Not Available

NS - Not Shown

00000000 - See Note

QTY - Quantity Example (QTY 3) (If Quantity not shown, Quantity = 1)

M - Model Example (M1) (If M Code not shown, then part is used on all Models)

### Expanded Model Nomenclature:

Example M1 - Model#1 M2 - Model#2 M3 - Model#3
---

Goodman Manufacturing Company, L.P. is not responsible for personal injury or property damage resulting from improper service. Review all service information before beginning repairs.

Warranty service must be performed by an authorized technician, using authorized factory parts. If service is required after the warranty expires, Goodman Manufacturing Company, L.P. also recommends contacting an authorized technician and using authorized factory parts.

Goodman Manufacturing Company, L.P. reserves the right to discontinue, or change at any time, specifications or designs without notice or without incurring obligations.

For assistance within the U.S.A. contact:  
Homeowner Support  
Goodman Manufacturing Company, L.P.  
19001 Kermier Road  
Waller, Texas 77484  
877-254-4729-Telephone  
713-863-2382-Facsimile

For assistance outside the U.S.A. contact:  
International Division  
Goodman Manufacturing Company, L.P.  
19001 Kermier Road  
Waller, Texas 77484  
713-861-2500-Telephone  
713-863-2382-Facsimile

# Functional Parts

## Part

**No:**            **Description:**

---

CAP200000370CP	CAP, 20 MFD/370V/ RD
0130F00010	FLAME SENSOR
0151M00037	GAS VALVE
0130F00008	IGNITOR-SINI 17 SEC
10690402	INTERLOCK SWITCH
10123529	MANUAL RESET R.O.S. LIMIT
0131F00042	MOTOR, 1/2HP, 4SP, 6PL (M5, M6)
0131F00041	MOTOR, 1/3HP, 4SP, 6PL (M1, M2, M3, M4)
0131M00002P	MOTOR, VENT 80+
PCBBF134	PCB, IGNITION, HSI, INTEG
B1370142	PRESSURE SWITCH 0.60" WC
0130F00038	PRIMARY LIMIT - LT BLUE 120° (AUX)
0130F00036	PRIMARY LIMIT - PINK
0130M00139	TRANSFORMER 120V TO 24V, 40 VA
DY6.186.070	VENT MOTOR CAPACITOR

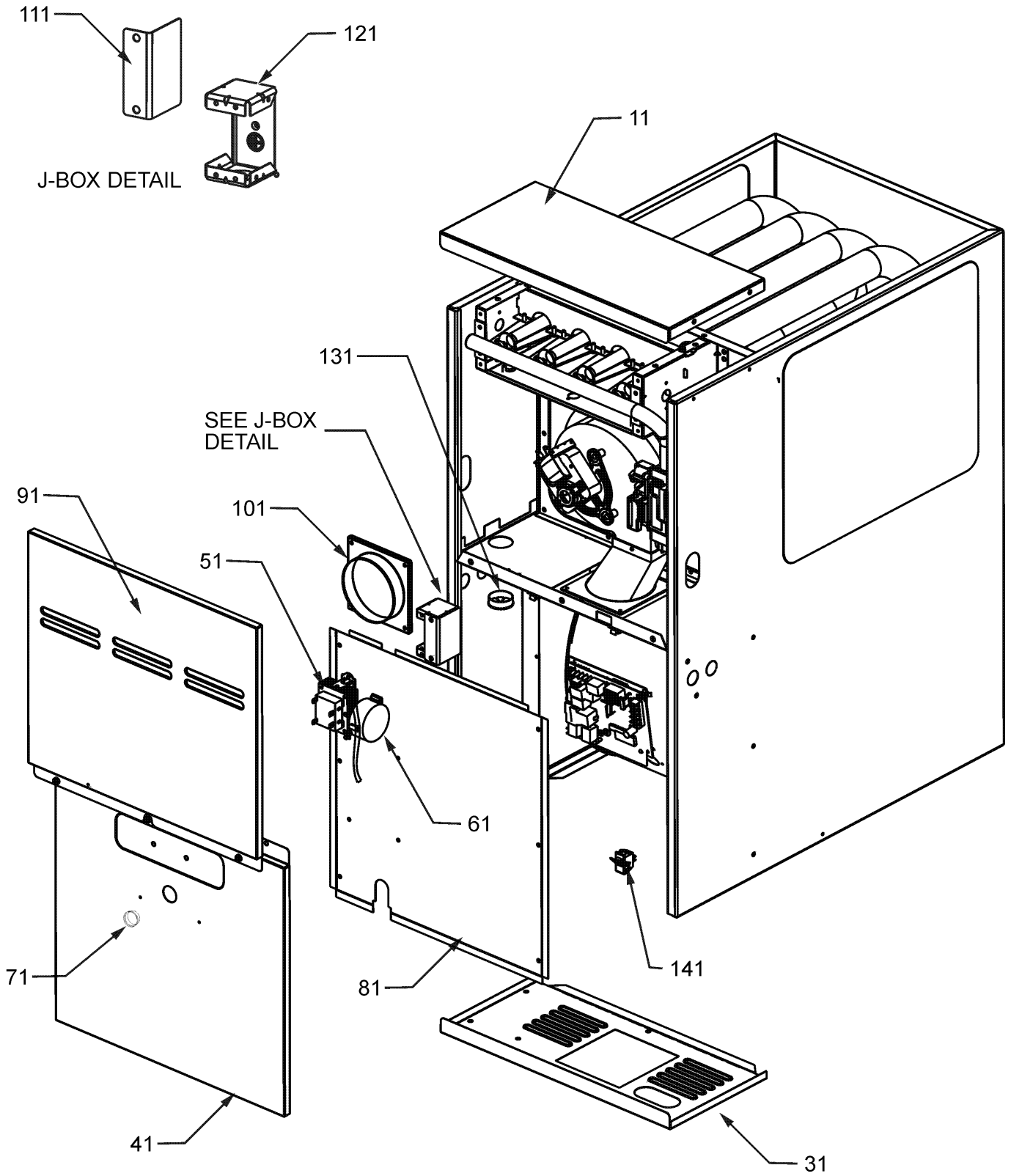
## SPECIAL PARTS

0161F00007    GOODMAN NAMEPLATE

## Expanded Model Nomenclature

M1 - GDS80403ANBE
M2 - GDS80403AXBE
M3 - GDS80603ANBE
M4 - GDS80603AXBE
M5 - GDS80804BNBE
M6 - GDS80804BXBE

# Cabinet Assy



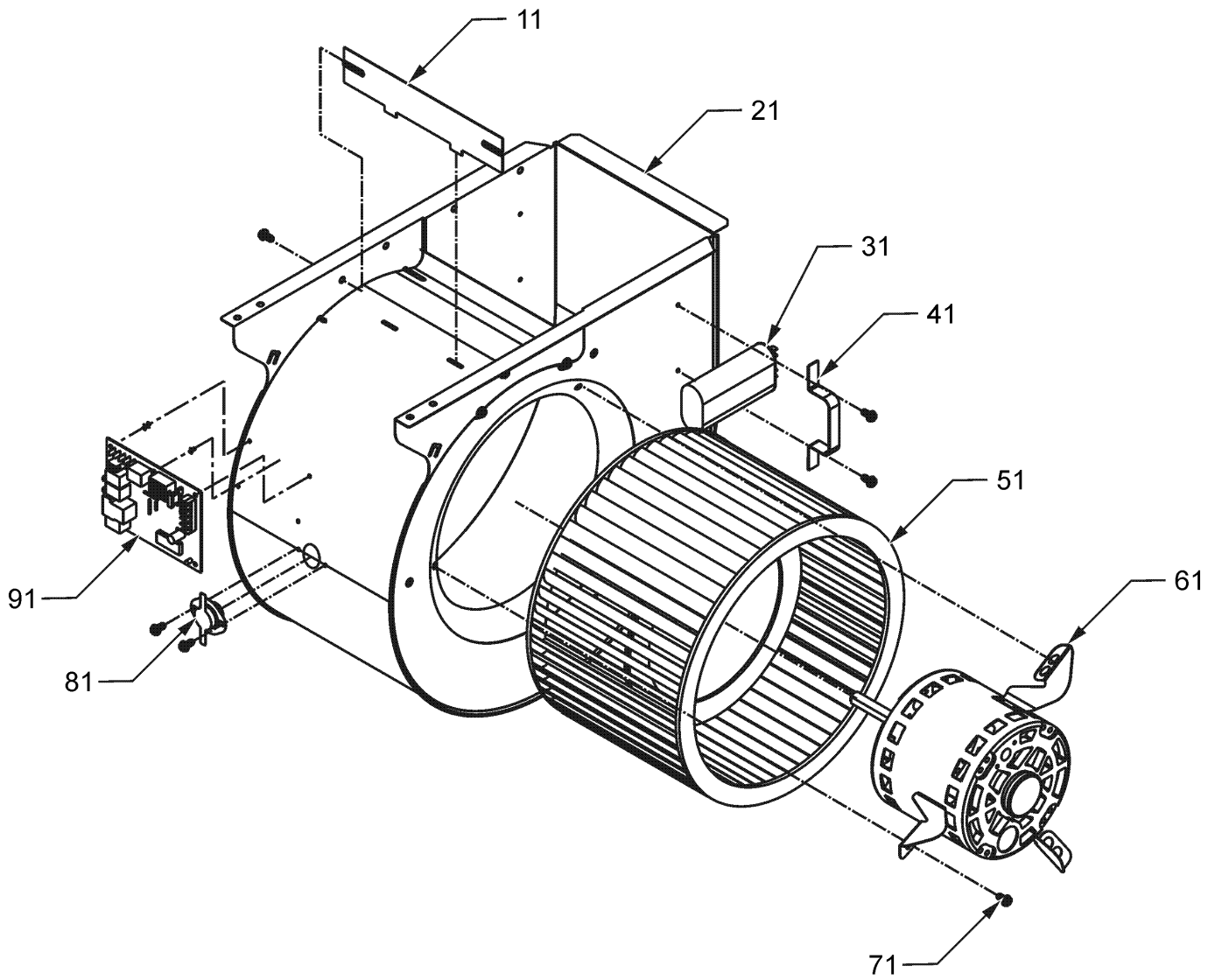
# Cabinet Assy

Ref. Part No: No:	Description:	Ref. Part No: No:	Description:
<b>Image 1:</b>			
11	0121F00183DG		FURNACE BOTTOM 14" (M1, M2, M3, M4)
11	0121F00190DG		FURNACE BOTTOM 17.5" (M5, M6)
31	0121F00141DG		TOP 14" (M1, M2, M3, M4)
31	0121F00142DG		TOP 17.5" (M5, M6)
41	0121F00122DG		BLOWER ACCESS DOOR 14" (M1, M2, M3, M4)
41	0121F00123DG		BLOWER ACCESS DOOR 17.5" (M5, M6)
51	0130M00139		TRANSFORMER 120V TO 24V, 40 VA
61	B1370142		PRESSURE SWITCH 0.60" WC
71	B1392139		VIEW PORT BUSHING-BLOWER DOOR
81	0121F00185		INNER BLOWER DOOR 14" (M1, M2, M3, M4)
81	0121F00192		INNER BLOWER DOOR 17.5" (M5, M6)
91	0121F00118DG		CONTROL ACCESS DOOR 14" (M1, M2, M3, M4)
91	0121F00119DG		CONTROL ACCESS DOOR 17.5" (M5, M6)
101	4023500		CHIMNEY TRANSITION TOP
111	4015502		J-BOX COVER
121	4014502		J-BOX
131	0163F00001		UNIVERSAL BUSHING WITH SLICE
141	10690402		INTERLOCK SWITCH
NS	0259F00057		ASSY, WIRE HARNESS, 12-PIN
NS	0161F00007		GOODMAN NAMEPLATE
NS	0259F00059		KIT, WIRE DF
NS	0159F00059		WIRE HARNESS ASSY. , IGNITOR

## Expanded Model Nomenclature

M1 - GDS80403ANBE
M2 - GDS80403AXBE
M3 - GDS80603ANBE
M4 - GDS80603AXBE
M5 - GDS80804BNBE
M6 - GDS80804BXBE

# Blower Assembly



# Blower Assembly

Ref. Part No: No:	Description:	Ref. Part No: No:	Description:
-------------------	--------------	-------------------	--------------

---

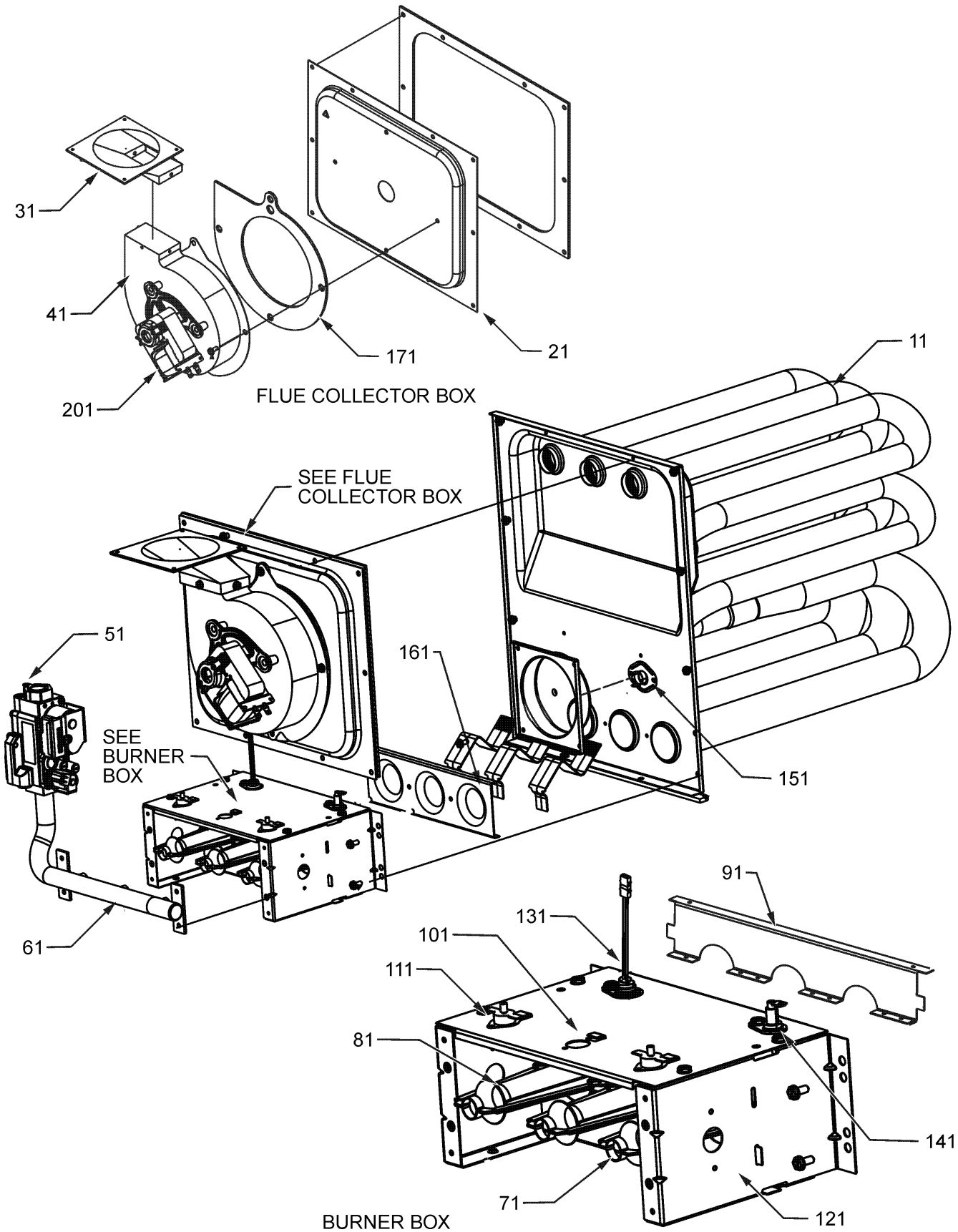
**Image 1:**

11	764740	BLOWER BLOCK-OFF 10 X 8 (M5, M6)
11	764739	BLOWER CUT-OFF 10 X 6 (M1, M2, M3, M4)
21	2539305	BLOWER HOUSING 10 X 6 (M1, M2, M3, M4)
21	2539306	BLOWER HOUSING 10 X 8 (M5, M6)
31	CAP200000370CP	CAP, 20 MFD/370V/ RD
41	1284835	CAPACITOR STRAP
51	B1368034	BLOWER WHEEL 10 X 6 (M1, M2, M3, M4)
51	0150M00043	WHEEL, BLOWER (10 X 8) (M5, M6)
61	0131F00042	MOTOR, 1/2HP, 4SP, 6PL (M5, M6)
61	0131F00041	MOTOR, 1/3HP, 4SP, 6PL (M1, M2, M3, M4)
71	M0250558	TC SCREW (QTY 3)
81	0130F00038	PRIMARY LIMIT - LT BLUE 120° (AUX)
91	PCBBF134	PCB, IGNITION, HSI, INTEG
NS	B1393802	SUPPORT, 2-WING BOARD, .187 MT (QTY 4)
NS	B1393803	SUPPORT, SINGLE-WING BOARD (.1

**Expanded Model Nomenclature**

M1 - GDS80403ANBE
M2 - GDS80403AXBE
M3 - GDS80603ANBE
M4 - GDS80603AXBE
M5 - GDS80804BNBE
M6 - GDS80804BXBE

# Heat Exchanger Assy



# Heat Exchanger Assy

Ref. Part No:	No:	Description:	Ref. Part No:	No:	Description:
<i>Image 1:</i>					
11	0270F03525	HEAT EXCHANGER ASSY (M1, M2)			
11	0270F03526	HEAT EXCHANGER ASSY (M3, M4)			
11	0270F03527	HEAT EXCHANGER ASSY (M5, M6)			
21	0121F00327	14" COLLECTOR BOX 1.125" DIA (M1, M2)			
21	0121F00364	14" FLUE COLLECTOR BOX 1.5"DIA (M3, M4)			
21	0121F00128	FLUE COLLECTOR BOX KIT 17.5" 1.75 DIA (M5, M6)			
31	0128F00006	CHIMNEY TRANSITION BOTTOM			
41	0131M00002P	MOTOR, VENT 80+			
51	0151M00037	GAS VALVE			
61	0120F00006	MANIFOLD (M1, M2)			
61	0120F00007	MANIFOLD (M3, M4)			
61	0120F00008	MANIFOLD (M5, M6)			
71	10716005	ORIFICE (QTY 2)			
81	B4022700	INSHOT BURNER ASSY 3" (QTY 2)			
91	0121F00167	BURNER BRACKET 2B (M1, M2)			
91	0121F00168	BURNER BRACKET 3B (M3, M4)			
91	0121F00169	BURNER BRACKET 4B (M5, M6)			
101	0121F00162	BURNER BOX TOP 2 CELL (M1, M2)			
101	0121F00163	BURNER BOX TOP 3 CELL (M3, M4)			
101	0121F00164	BURNER BOX TOP 4 CELL (M5, M6)			
111	10123529	MANUAL RESET R.O.S. LIMIT			
121	0121F00146	BURNER BOX SIDE (QTY 2)			
131	0130F00010	FLAME SENSOR			
141	0130F00008	IGNITOR-SINI 17 SEC			
151	0130F00036	PRIMARY LIMIT - PINK			
161	4028000	ORIFICE SHIELD 2 CELL (M1, M2)			
161	4028001	ORIFICE SHIELD 3 CELL (M3, M4)			
161	4028002	ORIFICE SHIELD 4 CELL (M5, M6)			
171	0154F00003	VENT MOTOR GASKET 14" (M1, M2, M3, M4)			
171	0154F00004	VENT MOTOR GASKET 17.5" (M5, M6)			
201	DY6.186.070	VENT MOTOR CAPACITOR			

## Expanded Model Nomenclature

M1 - GDS80403ANBE
M2 - GDS80403AXB
M3 - GDS80603ANBE
M4 - GDS80603AXB
M5 - GDS80804BNBE
M6 - GDS80804BXBE