



REPAIR PARTS

GCVM 97% ECM Counter Flow Furnace

GCVM970603BNBA
GCVM970603BNBB
GCVM970603BNBC
GCVM970603BNBD
GCVM970803BNBA
GCVM970803BNBB
GCVM970803BNBC
GCVM970803BNBD
GCVM970804CNBA
GCVM970804CNBB
GCVM970804CNBC
GCVM970804CNBD
GCVM971005CNBA
GCVM971005CNBB
GCVM971005CNBC
GCVM971005CNBD



This manual is to be used by qualified technicians only.

This manual replaces RP-G2321B

© 2019, 2021 - 2023 Goodman Manufacturing Company, L.P. ♦ 19001 Kermier Rd. ♦ Waller, TX 77484

Important Information

Index

Functional Parts List	3
Illustration and Parts	4 - 11

Views shown are for parts illustrations only, not servicing procedures.

Text Codes:

AR - As Required

NA - Not Available

NS - Not Shown

00000000 - See Note

QTY - Quantity Example (QTY 3) (If Quantity not shown, Quantity = 1)

M - Model Example (M1) (If M Code not shown, then part is used on all Models)

Expanded Model Nomenclature:

Example
M1 - Model#1
M2 - Model#2
M3 - Model#3

Goodman Manufacturing Company, L.P. is not responsible for personal injury or property damage resulting from improper service. Review all service information before beginning repairs.

Warranty service must be performed by an authorized technician, using authorized factory parts. If service is required after the warranty expires, Goodman Manufacturing Company, L.P. also recommends contacting an authorized technician and using authorized factory parts.

Goodman Manufacturing Company, L.P. reserves the right to discontinue, or change at any time, specifications or designs without notice or without incurring obligations.

For assistance within the U.S.A. contact:
Homeowner Support
Goodman Manufacturing Company, L.P.
19001 Kermier Road
Waller, Texas 77484
877-254-4729-Telephone
713-863-2382-Facsimile

For assistance outside the U.S.A. contact:
International Division
Goodman Manufacturing Company, L.P.
19001 Kermier Road
Waller, Texas 77484
713-861-2500-Telephone
713-863-2382-Facsimile

Functional Parts

Part No: **Description:**

0130F00038	AUX LIMIT - LT BLUE 120° (QTY 2)
SHARED DATA	Available thru CoolCloud HVAC app.
0163F00017	BECKETT BURNER (QTY 3)
0130F00010	FLAME SENSOR
0151M00092	GAS VALVE, WR MOD
0257F00312	HEAT EXCHANGER ASSY. (M9, M10, M11, M12)
0257F00311	HEAT EXCHANGER ASSY. (M1, M2, M3, M4)
0257F00284	HEAT EXCHANGER ASSY. (M13, M14, M15, M16)
0257F00282	HEAT EXCHANGER ASSY. (M5, M6, M7, M8)
0130F00008	IGNITOR-SINI 17 SEC
0130M00141	INDUCTOR, 5.9 AMPS (M9, M10, M11, M12, M13, M14, M15, M16)
20162904	LIMIT, PRIMARY (M5, M6, M7, M8, M9, M10, M11, M12, M13, M14, M15, M16)
20162903	LIMIT, PRIMARY (M1, M2, M3, M4)
10123529	LIMIT-RESET MAN-GREEN (QTY 2)
0271F00507	MORRISON 11 X 10 BLOWER (M9, M10, M11, M12, M13, M14, M15, M16)
0271F00506	MORRISON 11 X 8 BLOWER (M1, M2, M3, M4, M5, M6, M7, M8)
0131M00272	MOTOR, 1 HP, SERIAL ECM (M13, M14, M15)
0131M01002	MOTOR, 1/2 HP (M3, M4, M7, M8)
0131M00270	MOTOR, 1/2 HP, SERIAL ECM (M1, M2, M5, M6)
0131M01003	MOTOR, 3/4 HP (M11, M12)
0131M00271	MOTOR, 3/4 HP, SERIAL ECM (M9, M10)
0171M00009	MOTOR, ID BLOWER
PCBCM100	PCB CONTROL (M1, M2, M3, M5, M6, M7, M9, M10, M11, M13, M14)
PCBKF204	PCB FURNACE CONTROL (M1, M2, M3, M5, M6, M7, M9, M10, M11, M13, M14)
PCBKF206	PCB FURNACE CONTROL (M4, M8, M12, M15, M16)
0130F00720	PRESSURE SWITCH (M1, M2, M3, M4)
0130F00721	PRESSURE SWITCH (M5, M6, M7, M8)
0130F00722	PRESSURE SWITCH (M9, M10, M11, M12, M13, M14, M15, M16)
0130F00429	PRESSURE SWITCH
0130M00140	TRANSFORMER,(120V TO 24V,40VA,

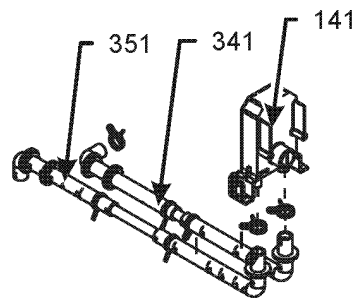
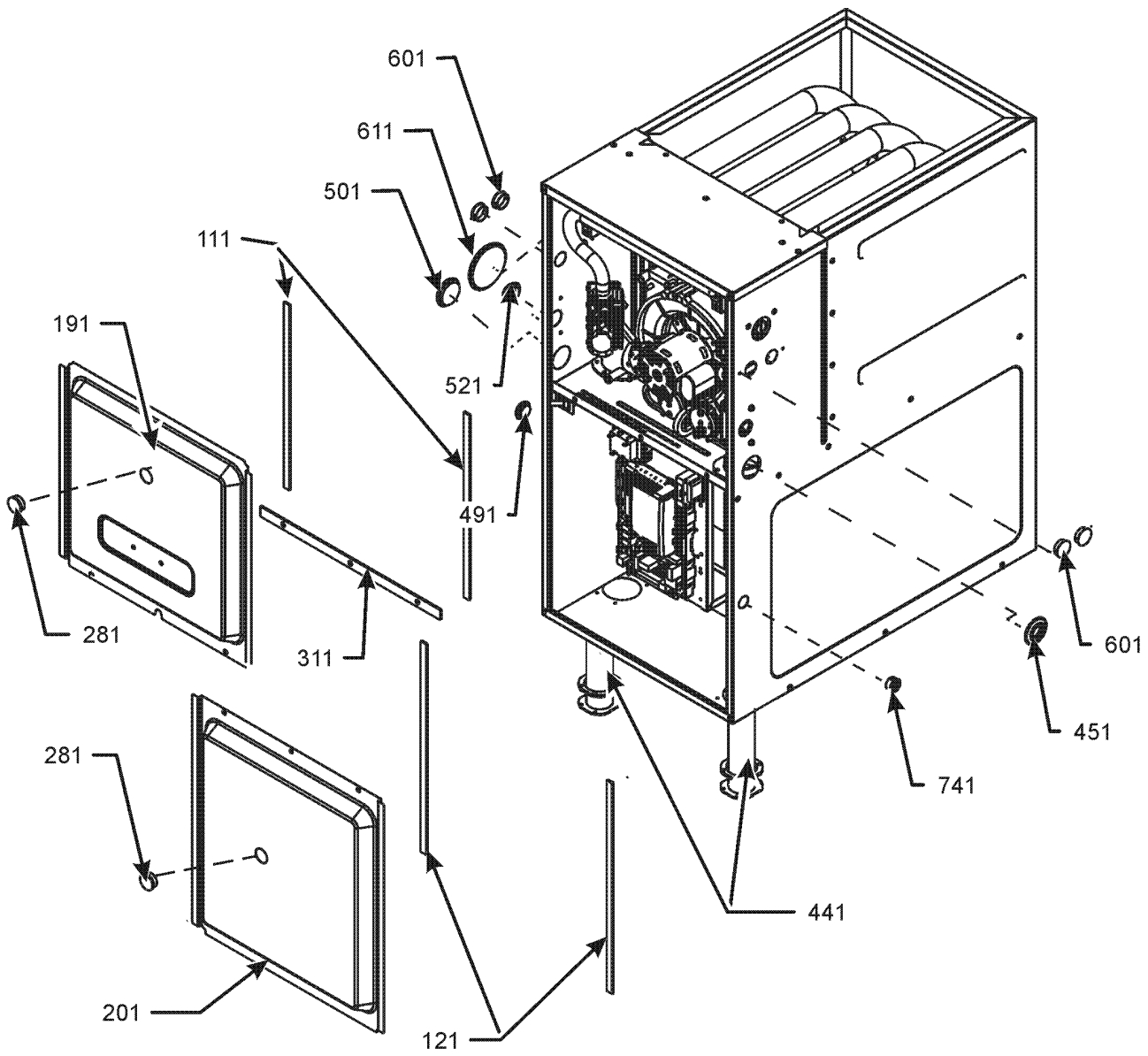
Expanded Model Nomenclature

M1 - GCVM970603BNBA
M2 - GCVM970603BNBB
M3 - GCVM970603BNBC
M4 - GCVM970603BNBD
M5 - GCVM970803BNBA
M6 - GCVM970803BNBB
M7 - GCVM970803BNBC
M8 - GCVM970803BNBD
M9 - GCVM970804CNBA
M10 - GCVM970804CNBB
M11 - GCVM970804CNBC
M12 - GCVM970804CNBD
M13 - GCVM971005CNBA
M14 - GCVM971005CNBB
M15 - GCVM971005CNBC
M16 - GCVM971005CNBD

SPECIAL PARTS

0161F00086	NAMEPLATE, GOODMAN
------------	--------------------

Cabinet Assembly



DRAIN TRAP ASSEMBLY

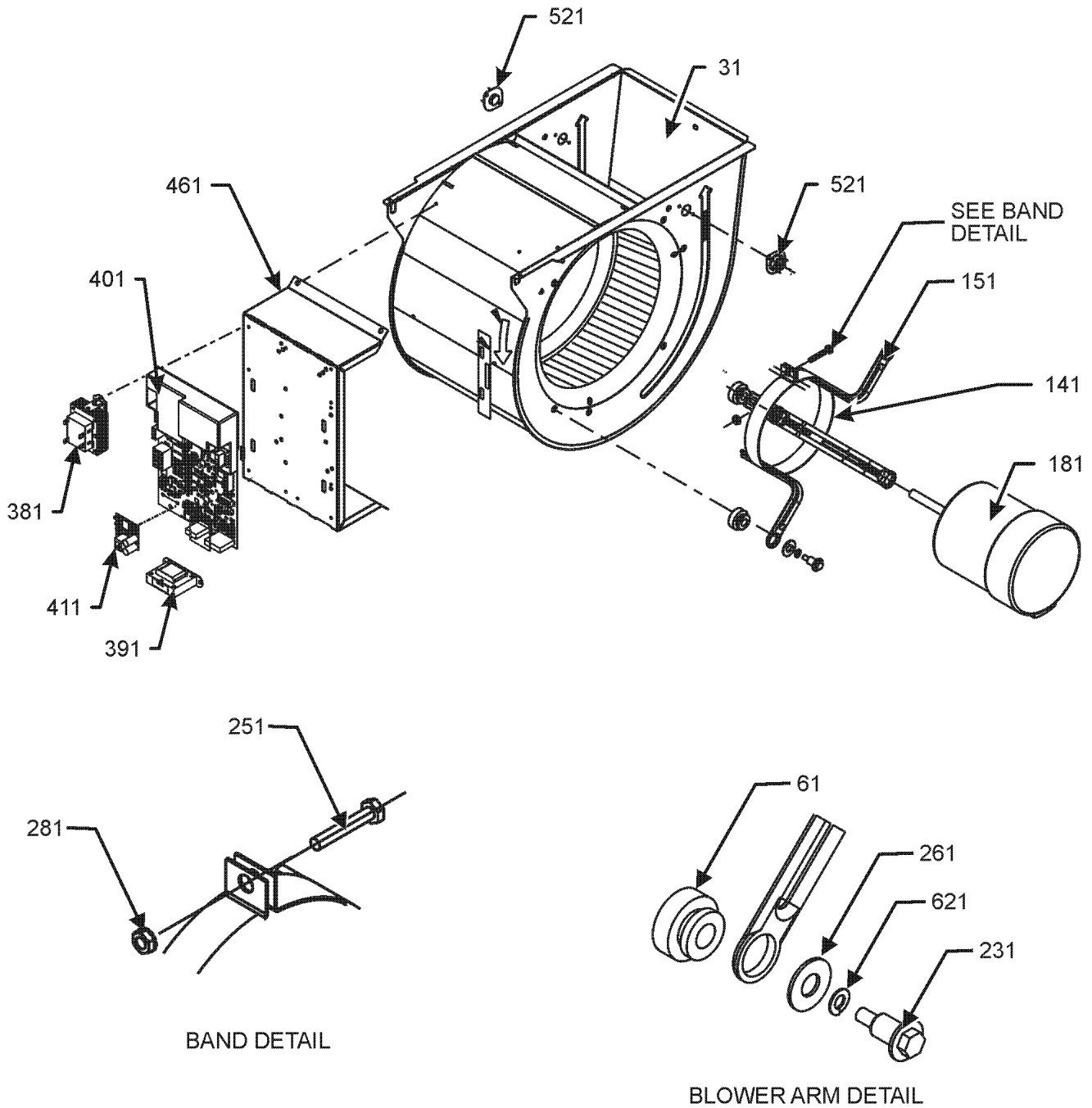
Cabinet Assembly

Ref. Part No:	Description:	Ref. Part No:	Description:
Image 1:		Expanded Model Nomenclature	
111	0154F00024 GASKET (QTY 2)	M1	- GCV M970603BNBA
121	0154F00025 GASKET (QTY 2)	M2	- GCV M970603BNBB
141	0161F00046 DRAIN TRAP	M3	- GCV M970603BNBC
191	0121F00291DG DOOR, ACCESS 17.5 PNT (M1, M2, M3, M4, M5, M6, M7, M8)	M4	- GCV M970603BNBD
191	0121F00292DG DOOR, ACCESS 21 PNT (M9, M10, M11, M12, M13, M14, M15, M16)	M5	- GCV M970803BNBA
201	0121F00288DG DOOR, BLOWER 17.5 PNT (M1, M2, M3, M4, M5, M6, M7, M8)	M6	- GCV M970803BNBB
201	0121F00289DG DOOR, BLOWER 21 PNT (M9, M10, M11, M12, M13, M14, M15, M16)	M7	- GCV M970803BNBC
311	0154F00020 GASKET, DECK (M1, M2, M3, M4, M5, M6, M7, M8)	M8	- GCV M970803BNBD
311	0154F00021 GASKET, DECK (M9, M10, M11, M12, M13, M14, M15, M16)	M9	- GCV M970804CNBA
341	0270F03125 CF DRAIN TUBE ASSY (M1, M2, M3, M4, M5, M6, M7, M8)	M10	- GCV M970804CNBB
341	0270F03515 CF DRAIN TUBE ASSY (M9, M10, M11, M12, M13, M14, M15, M16)	M11	- GCV M970804CNBC
351	0270F03126 CF DRAIN TUBE ASSY (M9, M10, M11, M12, M13, M14, M15, M16)	M12	- GCV M970804CNBD
351	0270F03514 CF DRAIN TUBE ASSY (M1, M2, M3, M4, M5, M6, M7, M8)	M13	- GCV M971005CNBA
441	0161F00064 PIPE, STRAIGHT CF (QTY 2)	M14	- GCV M971005CNBB
451	M0501301 PIPE GROMMET	M15	- GCV M971005CNBC
491	M0570808 BUTTON PLUG	M16	- GCV M971005CNBD
501	M0570806 BUTTON PLUG		
521	0161M00027 PLUG, HOLE		
601	B1392021 PLASTIC PLUG, 1" (2713-BLK) (QTY 4)		
611	0163M00460 HOSE CLAMP (QTY 2)		
741	B1392104 UNIVERSAL BUSHING UB 875		
NS	M0310345 BUTTON PLUG (QTY 2)		
NS	M0570807 BUTTON PLUG		
NS	0270F05403 DRAIN KIT ASSY		
NS	0154F00041 FRESH AIR GASKET (QTY 2)		
NS	0163M00319 HEX-NUT INSERT (QTY 3)		
NS	0161F00086 NAMEPLATE, GOODMAN		
NS	M0273904 RETAINER-SCREW (QTY 3)		
NS	M0209730 SCREW-DECORATIVE (QTY 3)		
NS	B1392139 VIEW PORT BUSHING-BLOWER DOOR (QTY 2)		

Blower Assembly

BLOWER ASSEMBLY

*If end bells are needed please order the following:
0131M00182 - 1/2 HP
0131M00183 - 3/4 HP
0131M00184 - 1 HP



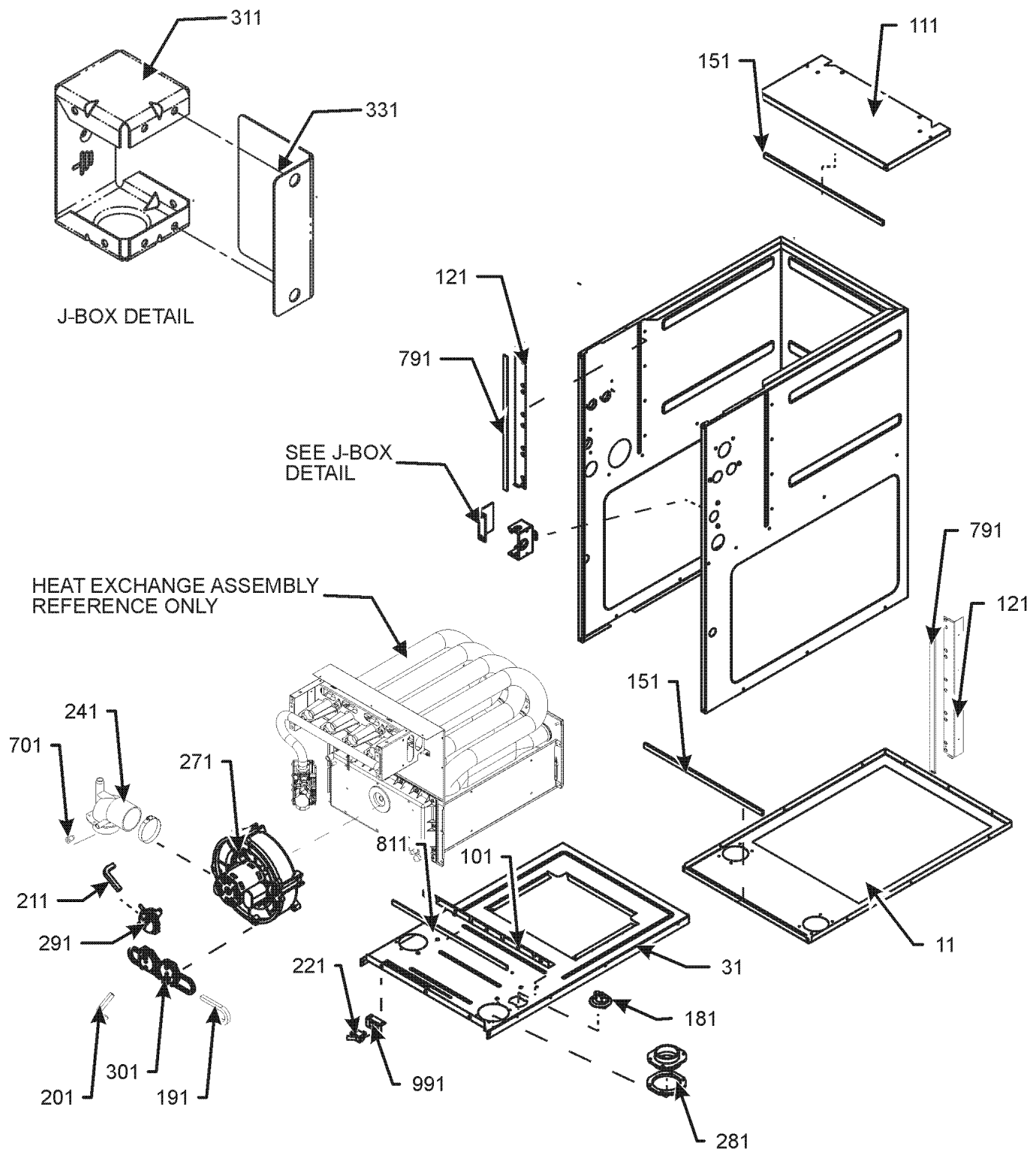
BLOWER ASSEMBLY MAY DIFFER FROM WHAT IS SHOWN

Blower Assembly

Ref. Part No:	Ref. Part No:	Description:	Description:
Image 1:		Image 1:	
31	0271F00507	MORRISON 11 X 10 BLOWER (M9, M10, M11, M12, M13, M14, M15, M16)	NS 0259F00041 POWER HARNESS HIGH VOLTAGE (M9, M10, M11, M12, M13, M14, M15, M16)
31	0271F00506	MORRISON 11 X 8 BLOWER (M1, M2, M3, M4, M5, M6, M7, M8)	NS 0259F00024 WIRE HARNESS-BLOWER
61	A4002702	BLOWER MOTOR GROMMET (M9, M10, M11, M12, M13, M14, M15, M16)	Expanded Model Nomenclature M1 - GCV M970603BNBA M2 - GCV M970603BNBB M3 - GCV M970603BNBC M4 - GCV M970603BNBD M5 - GCV M970803BNBA M6 - GCV M970803BNBB M7 - GCV M970803BNBC M8 - GCV M970803BNBD M9 - GCV M970804CNBA M10 - GCV M970804CNBB M11 - GCV M970804CNBC M12 - GCV M970804CNBD M13 - GCV M971005CNBA M14 - GCV M971005CNBB M15 - GCV M971005CNBC M16 - GCV M971005CNBD
141	0121M00038	MOTOR MOUNT BAND (M1, M2, M3, M4, M5, M6, M7, M8)	
141	10441601	MOTOR MOUNT BAND (M9, M10, M11, M12, M13, M14, M15, M16)	
151	10441501	MOTOR MOUNT ARM (M9, M10, M11, M12, M13, M14, M15, M16)	
151	B1376857	MOTOR MOUNT ARM (M1, M2, M3, M4, M5, M6, M7, M8)	
181	0131M00272	MOTOR, 1 HP, SERIAL ECM (M13, M14, M15)	
181	0131M01002	MOTOR, 1/2 HP (M3, M4, M7, M8)	
181	0131M00270	MOTOR, 1/2 HP, SERIAL ECM (M1, M2, M5, M6)	
181	0131M01003	MOTOR, 3/4 HP (M11, M12)	
181	0131M00271	MOTOR, 3/4 HP, SERIAL ECM (M9, M10)	
231	0163F00028	SCREW (M9, M10, M11, M12, M13, M14, M15, M16)	
231	M0250565	TC SCREW 1.25" (M1, M2, M3, M4, M5, M6, M7, M8)	
251	M0267144	MACHINE SCREW (M9, M10, M13, M14, M15, M16)	
251	B1393323	MACHINE SCREW HWH 1/4-20 X 1-1/2 BZ (M1, M2, M3, M4, M5, M6, M7, M8, M11, M12)	
261	B1392918	WASHER, FLAT 1/4 ID X 1 OD (M1, M2, M3, M4, M5, M6, M7, M8)	
261	M0274008	WASHER-FLAT (M9, M10, M11, M12, M13, M14, M15, M16)	
281	M0282015	KEPS NUT (M9, M10, M13, M14, M15, M16)	
281	B1393800	LOCKNUT, NYLON, INSERT 1/4, 20 (M1, M2, M3, M4, M5, M6, M7, M8, M11, M12)	
381	0130M00140	TRANSFORMER, (120V TO 24V, 40VA,	
391	0130M00141	INDUCTOR, 5.9 AMPS (M9, M10, M11, M12, M13, M14, M15, M16)	
401	PCBKF204	PCB FURNACE CONTROL (M1, M2, M3, M5, M6, M7, M9, M10, M11, M13, M14)	
401	PCBKF206	PCB FURNACE CONTROL (M4, M8, M12, M15, M16)	
411	PCBCM100	PCB CONTROL (M1, M2, M3, M5, M6, M7, M9, M10, M11, M13, M14)	
461	0121F00464	MOUNTING PLATE-CONTROLS	
521	0130F00038	AUX LIMIT - LT BLUE 120° (QTY 2)	
621	B1392820	WASHER, SPLIT LOCK 1/4 BZ (M9, M10, M11, M12, M13, M14, M15, M16)	
NS	SHARED DATA	Availible thru CoolCloud HVAC app.	
NS	0159F00083	CABLE, RJ12 (M1, M2, M3, M5, M6, M7, M9, M10, M11, M13, M14)	
NS	0259F00040	CONTROL HARNESS	
NS	0259F00292	HARNESS-MAIN W/ FERRITE (M9, M10, M11, M12, M13, M14, M15, M16)	
NS	0259F00279	HARNESS-POWER W/FERRITE (M1, M2, M3, M4, M5, M6, M7, M8)	
NS	B1392021	PLASTIC PLUG, 1" (2713-BLK) (QTY 4)	

*If end bells are needed please order the following:
0131M00182 - 1/2 HP
0131M00183 - 3/4 HP
0131M00184 - 1 HP

Chassis Assembly



Chassis Assembly

Ref. Part No:	Ref. Part No:	Description:	Description:
Image 1:		Image 1:	
11	0121F00548DG	PAINTED BASEPAN, 17.5 CF (M1, M2, M3, M4, M5, M6, M7, M8)	NS 0160F00012 INSULATION-BACK 17.5" (M1, M2, M3, M4, M5, M6, M7, M8)
11	0121F00549DG	PAINTED BASEPAN, 21 CF (M9, M10, M11, M12, M13, M14, M15, M16)	NS 0160F00013 INSULATION-BACK 21" (M9, M10, M11, M12, M13, M14, M15, M16)
31	0121F00536	DECK-BLOWER 17.5" CF (M1, M2, M3, M4, M5, M6, M7, M8)	Expanded Model Nomenclature M1 - GCV M970603BNBA M2 - GCV M970603BNBB M3 - GCV M970603BNBC M4 - GCV M970603BNBD M5 - GCV M970803BNBA M6 - GCV M970803BNBB M7 - GCV M970803BNBC M8 - GCV M970803BNBD M9 - GCV M970804CNBA M10 - GCV M970804CNBB M11 - GCV M970804CNBC M12 - GCV M970804CNBD M13 - GCV M971005CNBA M14 - GCV M971005CNBB M15 - GCV M971005CNBC M16 - GCV M971005CNBD
31	0121F00537	DECK-BLOWER 21" CF (M9, M10, M11, M12, M13, M14, M15, M16)	
101	0121F00314	ANGLE, DECK (M1, M2, M3, M4, M5, M6, M7, M8)	
101	0121F00315	ANGLE, DECK (M9, M10, M11, M12, M13, M14, M15, M16)	
111	0121F00426DG	TOP, PAINTED FURNACE 17.5" CF (M1, M2, M3, M4, M5, M6, M7, M8)	
111	0121F00434DG	TOP, PAINTED FURNACE 21" CF (M9, M10, M11, M12, M13, M14, M15, M16)	
121	0121F00313	ANGLE, SIDE (QTY 2)	
151	20179309	GASKET-FA (M1, M2, M3, M4, M5, M6, M7, M8)	
151	20179310	GASKET-FA (M9, M10, M11, M12, M13, M14, M15, M16)	
181	0159F00109	HARNESS, WIRING (M1, M2, M3, M5, M6, M7)	
181	0159F00150	WIRING HARNESS (M4, M8)	
191	0164M00122	HOSE- PRESSURE SW 19" (M1, M2, M3, M4, M5, M6, M7, M8)	
191	0164M00123	HOSE- PRESSURE SW 25" (M9, M10, M11, M12, M13, M14, M15, M16)	
201	0164M00115	HOSE- PRESSURE SW 6"	
211	0164M00117	HOSE- PRESSURE SW 8" (M9, M10, M11, M12, M13, M14, M15, M16)	
221	0130M00243	INTERLOCK SWITCH	
241	0164F00026	ELBOW-FLUE, 17.5" CFLOW (M1, M2, M3, M4, M5, M6, M7, M8)	
241	0164F00027	ELBOW-FLUE, 21" CFLOW (M9, M10, M11, M12, M13, M14, M15, M16)	
271	0171M00009	MOTOR, ID BLOWER	
281	0161F00037	COUPLING	
291	0130F00429	PRESSURE SWITCH	
301	0130F00720	PRESSURE SWITCH (M1, M2, M3, M4)	
301	0130F00721	PRESSURE SWITCH (M5, M6, M7, M8)	
301	0130F00722	PRESSURE SWITCH (M9, M10, M11, M12, M13, M14, M15, M16)	
311	0161F00042	JUNCTION BOX PLA	
331	0161F00043	JUNCTION BOX LID	
791	0154F00015	GASKET (QTY 2)	
811	0154F00014	GASKET (M1, M2, M3, M4, M5, M6, M7, M8)	
811	0154F00016	GASKET (M9, M10, M11, M12, M13, M14, M15, M16)	
991	0121F00389	BRACKET, DOOR SWITCH	
NS	0161F00046	DRAIN TRAP	
NS	0160F00015	INSULATION, HT EXCHANGER 17.5" (M1, M2, M3, M4, M5, M6, M7, M8)	
NS	0160F00016	INSULATION, HT EXCHANGER 21" (M9, M10, M11, M12, M13, M14, M15, M16)	
NS	0160F00018	INSULATION, SIDE (QTY 2)	

Heat Exchange Assembly

Ref. Part No:	Ref. Part No:	Description:	Description:
Image 1:		Expanded Model Nomenclature	
11	0130F00008	IGNITOR-SINI 17 SEC	M1 - GCV M970603BNBA
21	0151M00092	GAS VALVE, WR MOD	M2 - GCV M970603BNBB
31	10716005	ORIFICE, #45 DRILL (QTY 3)	M3 - GCV M970603BNBC
41	0130F00010	FLAME SENSOR	M4 - GCV M970603BNBD
51	10123529	LIMIT-RESET MAN-GREEN (QTY 2)	M5 - GCV M970803BNBA
61	0163F00008	MANIFOLD (M1, M2, M3, M4)	M6 - GCV M970803BNBB
61	0163F00009	MANIFOLD (M9, M10, M11, M12)	M7 - GCV M970803BNBC
61	0163F00010	MANIFOLD (M13, M14, M15, M16)	M8 - GCV M970803BNBD
61	0163F00014	MANIFOLD (M5, M6, M7, M8)	M9 - GCV M970804CNBA
71	0163F00017	BECKETT BURNER (QTY 3)	M10 - GCV M970804CNBB
81	0121F00455	BRACKET-BURNER 3 (M1, M2, M3, M4)	M11 - GCV M970804CNBC
81	0121F00454	BRACKET-BURNER 4 (M5, M6, M7, M8, M9, M10, M11, M12)	M12 - GCV M970804CNBD
81	0121F00453	BRACKET-BURNER 5 (M13, M14, M15, M16)	M13 - GCV M971005CNBA
111	0121F00458	ORIFICE BRACKET-BURNER 3 (M1, M2, M3, M4)	M14 - GCV M971005CNBB
111	0121F00457	ORIFICE BRACKET-BURNER 4 (M5, M6, M7, M8, M9, M10, M11, M12)	M15 - GCV M971005CNBC
111	0121F00452	ORIFICE BRACKET-BURNER 5 (M13, M14, M15, M16)	M16 - GCV M971005CNBD
131	0161F00027	COVER, FRONT (M13, M14, M15, M16)	
131	0161F00031	COVER, FRONT (M5, M6, M7, M8)	
131	0161F00056	COVER, FRONT (M1, M2, M3, M4)	
131	0161F00065	COVER, FRONT (M9, M10, M11, M12)	
141	0154F00026	GASKET FRONT COVER (M1, M2, M3, M4, M5, M6, M7, M8)	
141	0154F00030	GASKET FRONT COVER (M9, M10, M11, M12, M13, M14, M15, M16)	
151	0257F00282	HEAT EXCHANGER ASSY. (M5, M6, M7, M8)	
151	0257F00284	HEAT EXCHANGER ASSY. (M13, M14, M15, M16)	
151	0257F00311	HEAT EXCHANGER ASSY. (M1, M2, M3, M4)	
151	0257F00312	HEAT EXCHANGER ASSY. (M9, M10, M11, M12)	
161	M0326804	TUBE PLUG	
181	0154F00043	GASKET ID BLOWER	
231	A1781105	CAP-VINYL .500	
261	0121F00317	COVER, REAR (M1, M2, M3, M4, M5, M6, M7, M8)	
261	0121F00318	COVER, REAR (M9, M10, M11, M12, M13, M14, M15, M16)	
271	0154F00037	GASKET, REAR CVR (M1, M2, M3, M4, M5, M6, M7, M8)	
271	0154F00038	GASKET, REAR CVR (M9, M10, M11, M12, M13, M14, M15, M16)	
371	20162903	LIMIT, PRIMARY (M1, M2, M3, M4)	
371	20162904	LIMIT, PRIMARY (M5, M6, M7, M8, M9, M10, M11, M12, M13, M14, M15, M16)	
NS	0121F00439	HEAT SHIELD-PRIMARY LIMIT	
NS	0121F00542	SHIELD, BURNER (M13, M14, M15, M16)	
NS	0121F00355	SHIELD, COIL (QTY 2)	