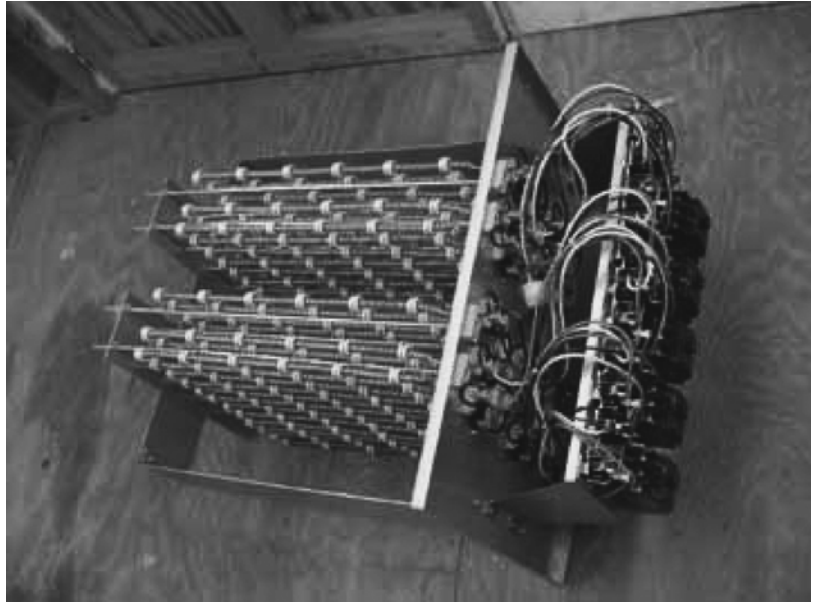


REPAIR PARTS

EHK Heater Kits

EHK1-10
EHK1-15
EHK1-18
EHK1-20
EHK3-10
EHK3-15
EHK3-16
EHK3-18
EHK3-20
EHK3-25
EHK3-30
EHK3-31
EHK3-45
EHK3-46
EHK3-60
EHK3-75
EHK4-10
EHK4-15
EHK4-16
EHK4-18
EHK4-20
EHK4-30
EHK4-45
EHK7-10
EHK7-15
EHK7-16
EHK7-18
EHK7-20
EHK7-30
EHK7-45



This manual is to be used by qualified technicians only.

This manual replaces RP-439 & RP-440.

© 2014 Goodman Manufacturing Company, L.P. ♦ 5151 San Felipe, Suite 500 ♦ Houston, TX 77056

Important Information

Index

Functional Parts List	3
Illustration and Parts	4 - 15

Views shown are for parts illustrations only, not servicing procedures

Electric Heater Updates per UL1995

Text Codes:

AR - As Required

NA - Not Available

NS - Not Shown

00000000 - See Note

QTY - Quantity Example (QTY 3) (If Quantity not shown, Quantity = 1)

M - Model Example (M1) (If M Code not shown, then part is used on all Models)

Expanded Model Nomenclature:

Example M1 - Model#1 M2 - Model#2 M3 - Model#3

Goodman Manufacturing Company, L.P. is not responsible for personal injury or property damage resulting from improper service. Review all service information before beginning repairs.

Warranty service must be performed by an authorized technician, using authorized factory parts. If service is required after the warranty expires, Goodman Manufacturing Company, L.P. also recommends contacting an authorized technician and using authorized factory parts.

Goodman Manufacturing Company, L.P. reserves the right to discontinue, or change at any time, specifications or designs without notice or without incurring obligations.

For assistance within the U.S.A. contact:
Consumer Affairs Department
Goodman Manufacturing Company, L.P.
7401 Security Way
Houston, Texas 77040
877-254-4729-Telephone
713-863-2382-Facsimile

For assistance outside the U.S.A. contact:
International Division
Goodman Manufacturing Company, L.P.
7401 Security Way
Houston, Texas 77040
713-861-2500-Telephone
713-863-2382-Facsimile

Functional Parts

Part

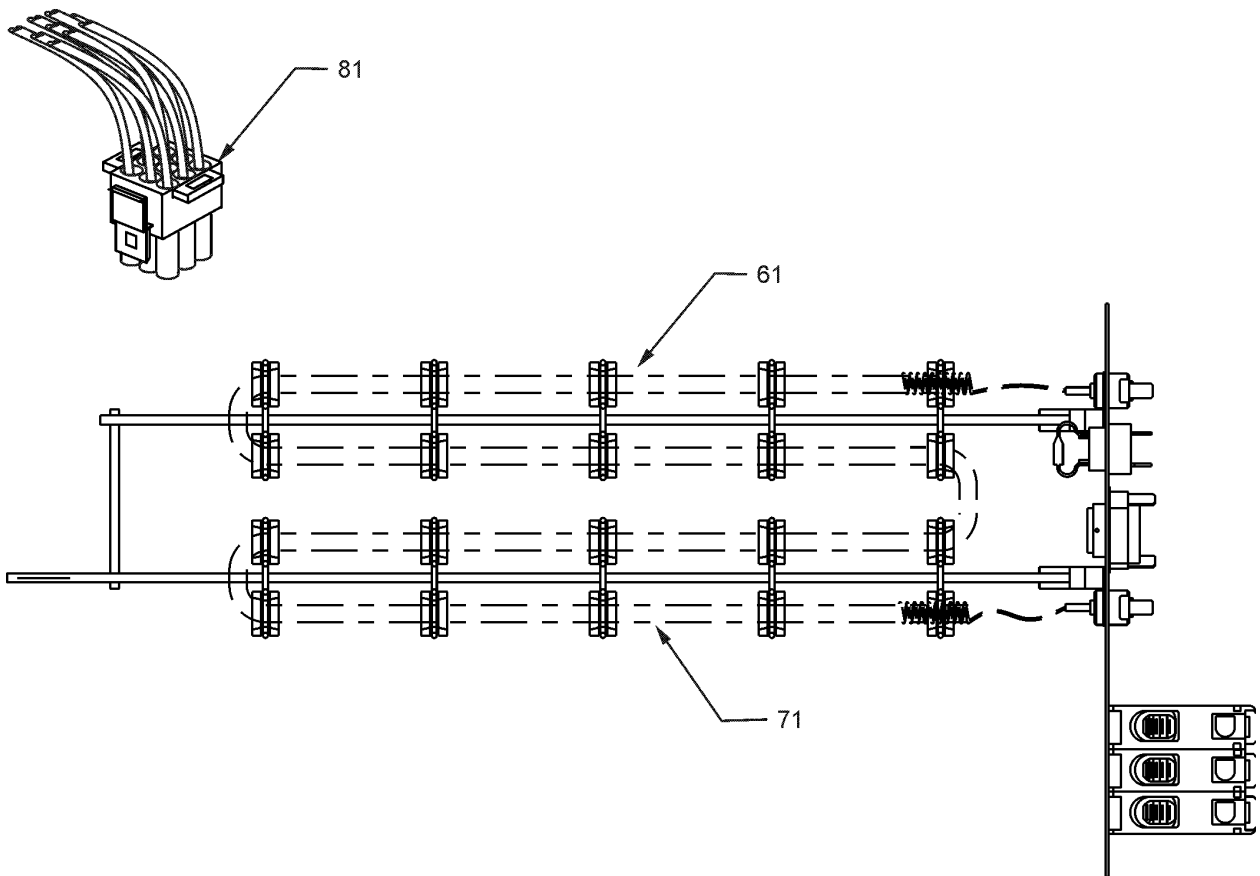
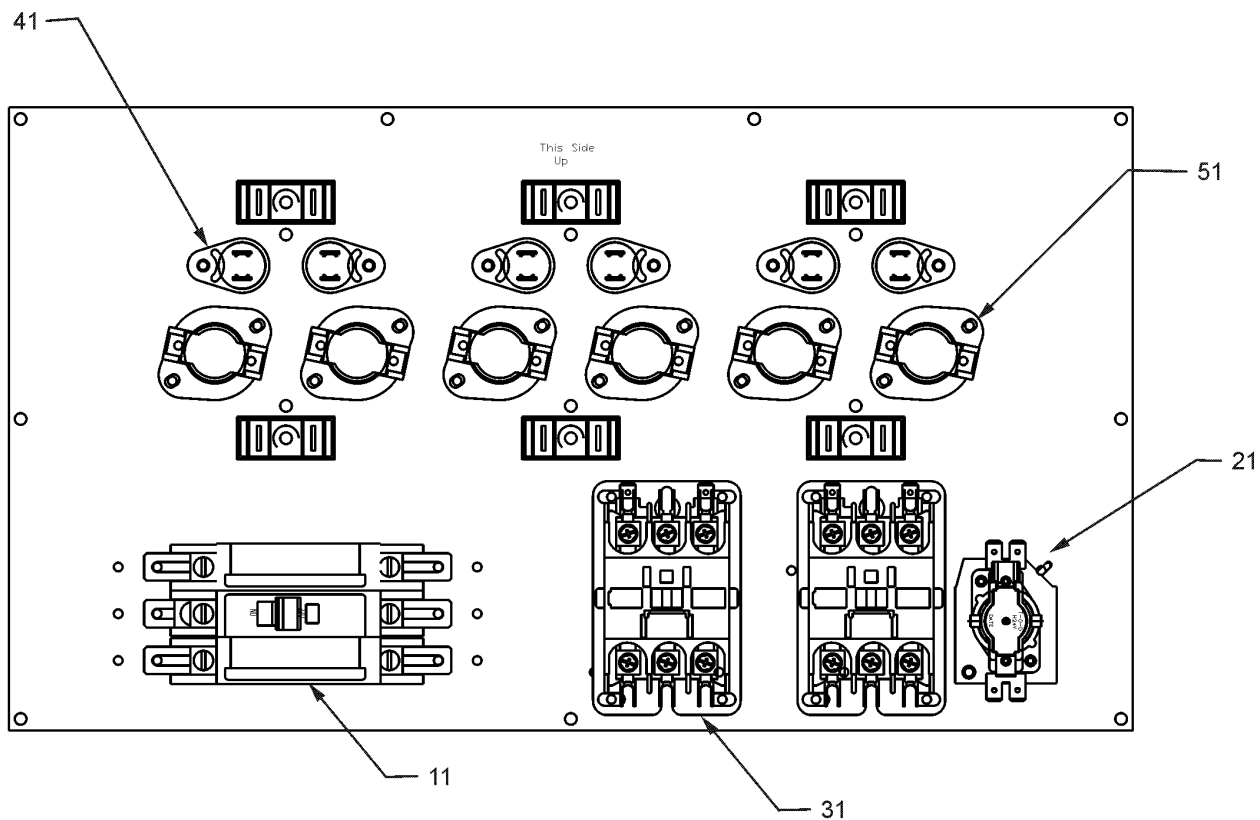
No: Description:

0200-167-008P	3 Pole Contactor HCC-3XQ02GN108 (M5, M6, M7, M8, M9, M10, M11, M12, M13, M14, M15, M16, M17, M18, M19, M20, M21, M22, M23, M24, M25, M26, M27, M28, M29, M30)
0200-167-007P	Contactor (M1, M2, M3, M4)
0200-140-001P	FUSE LINK 121°C (M7, M8, M11, M12, M13, M14, M15, M16)
0200-086-001P	FUSE LINK 93°C (M1, M2, M4, M5, M6, M9, M10)
0200-150-001P	FUSE LINK 98°C (M3, M8)
0200-148-001P	ONE SHOT LIMIT 250°F (M19, M22, M23, M26, M29, M30)
0200-142-001P	ONE SHOT LIMIT 60F14 200°F (M17, M18, M21, M24, M25, M28)
0200-151-001P	ONE SHOT LIMIT 60F14 208°F (M20, M27)

Expanded Model Nomenclature

M1 - EHK1-10
M2 - EHK1-15
M3 - EHK1-18
M4 - EHK1-20
M5 - EHK3-10
M6 - EHK3-15
M7 - EHK3-16
M8 - EHK3-18
M9 - EHK3-20
M10 - EHK3-25
M11 - EHK3-30
M12 - EHK3-31
M13 - EHK3-45
M14 - EHK3-46
M15 - EHK3-60
M16 - EHK3-75
M17 - EHK4-10
M18 - EHK4-15
M19 - EHK4-16
M20 - EHK4-18
M21 - EHK4-20
M22 - EHK4-30
M23 - EHK4-45
M24 - EHK7-10
M25 - EHK7-15
M26 - EHK7-16
M27 - EHK7-18
M28 - EHK7-20
M29 - EHK7-30
M30 - EHK7-45

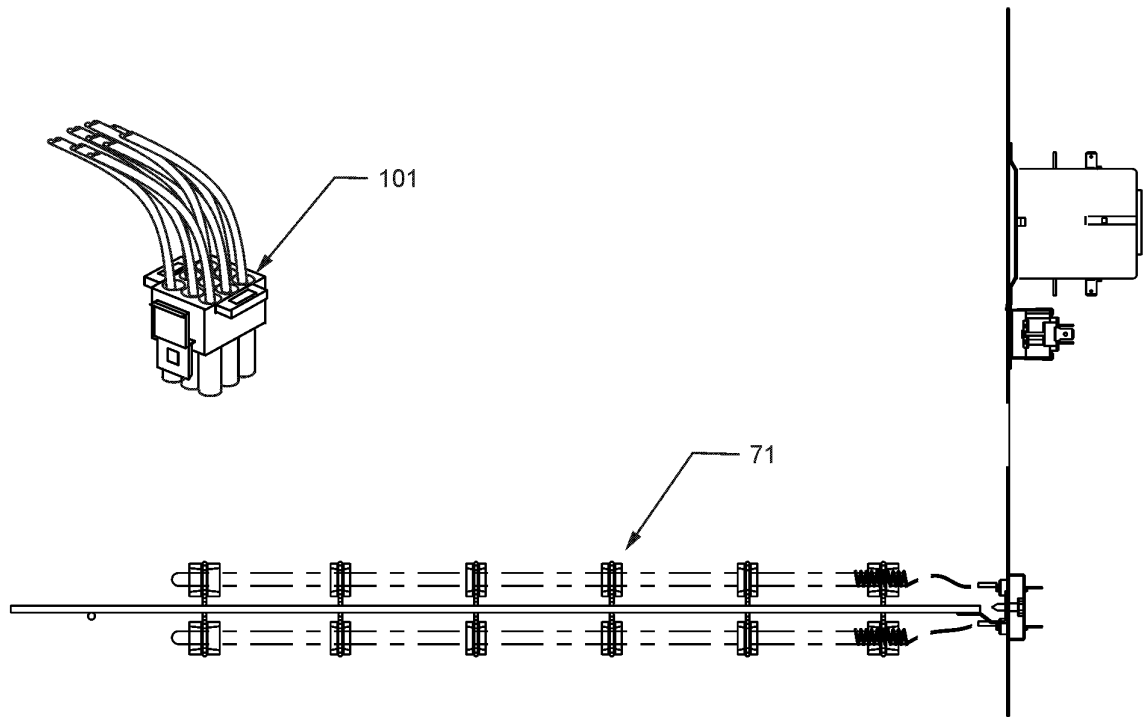
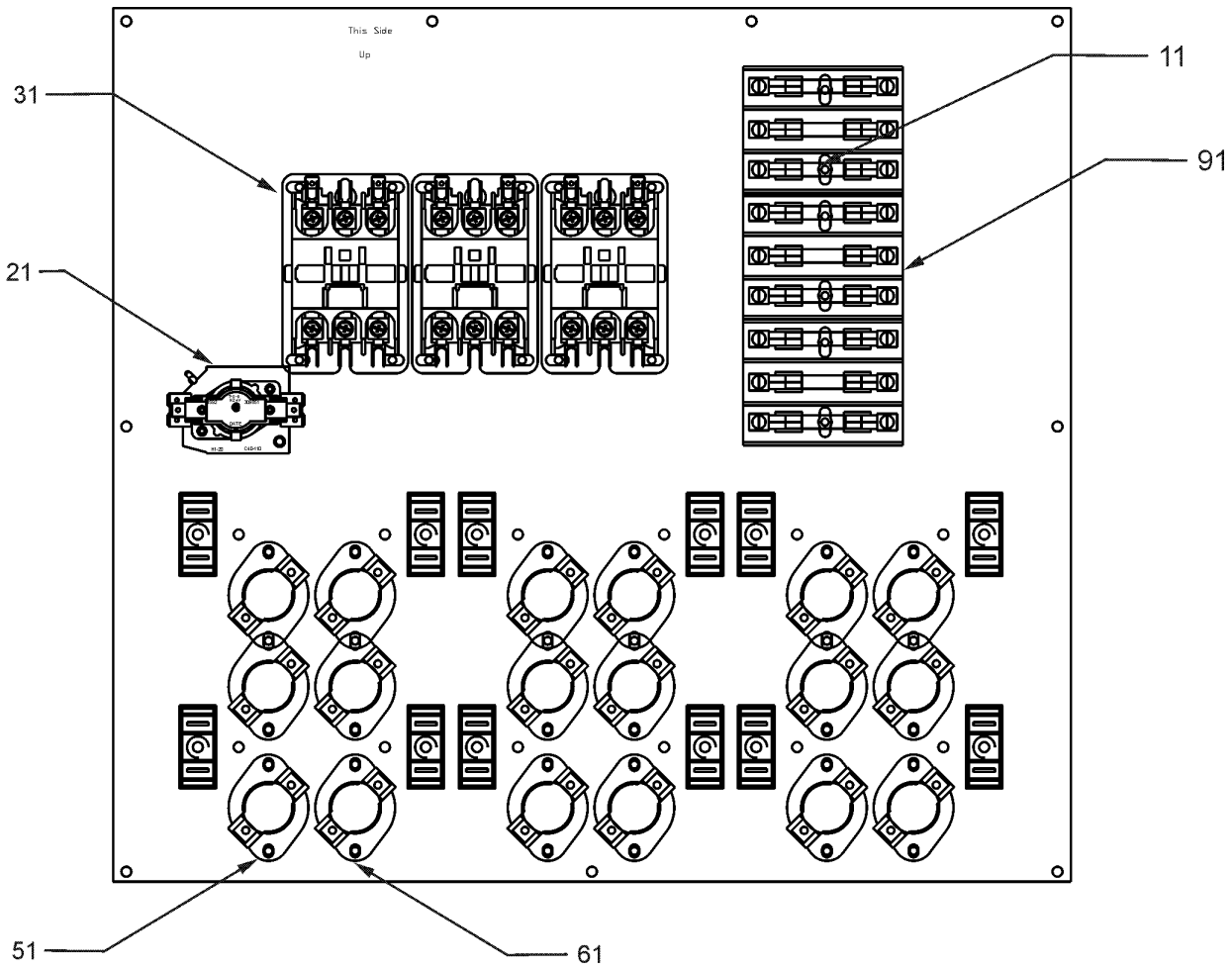
EHK Heater Kits w/CB



EHK Heater Kits w/CB

Ref. Part No: No:	Description:	Ref. Part No: No:	Description:
<i>Image 1:</i>		Expanded Model Nomenclature	
11	0200-130-006P	40 AMP CIRCUIT BREAKER 3P (M10)	M1 - EHK1-10
11	0200-129-008P	50 AMP CIRCUIT BREAKER 2P (M3)	M2 - EHK1-15
11	0200-130-008P	50 AMP CIRCUIT BREAKER 3P (M2, M6)	M3 - EHK1-18
11	0200-129-009P	60 AMP CIRCUIT BREAKER 2P (M1, M4)	M4 - EHK1-20
11	0200-130-004P	60 AMP CIRCUIT BREAKER 3P (M5)	M5 - EHK3-10
11	0200-130-009P	60 AMP CIRCUIT BREAKER 3P (M2, M8, M9)	M6 - EHK3-15
11	0200-130-007P	QOU345 CIRCUIT BREAKER (M7)	M7 - EHK3-16
21	0200-132-001P	SEQUENCER (M1, M3, M4, M5, M6, M7, M8, M9, M10)	M8 - EHK3-18
31	0200-167-008P	3 Pole Contactor HCC-3XQ02GN108 (M5, M6, M7, M8, M9, M10)	M9 - EHK3-20
31	0200-167-007P	Contactor (M1, M2, M3, M4)	M10 - EHK3-25
41	0200-140-001P	FUSE LINK 121°C (M7, M8)	M11 - EHK3-30
41	0200-086-001P	FUSE LINK 93°C (M1, M2, M4, M5, M6, M9, M10)	M12 - EHK3-31
41	0200-150-001P	FUSE LINK 98°C (M3, M8)	M13 - EHK3-45
51	0200-054-001P	THERMOSTAT (M7, M8, M9, M10)	M14 - EHK3-46
51	0200-141-001P	THERMOSTAT (M1, M2, M3, M4, M5, M6, M8, M9, M10)	M15 - EHK3-60
61	5000-275-502	HEATER ELEMENT 10 KW (M1, M2, M4, M6)	M16 - EHK3-75
61	5000-275-501	HEATER ELEMENT 6 KW (M5, M9)	M17 - EHK4-10
61	5000-275-504	HEATER ELEMENT 6.65 KW (M3)	M18 - EHK4-15
61	5000-275-505	HEATER ELEMENT 8.32 KW (M3, M10)	M19 - EHK4-16
61	5000-275-503	HEATER ELEMENT 9 KW (M8)	M20 - EHK4-18
71	5000-277-501	HEATER ELEMENT 3.325 KW (M5)	M21 - EHK4-20
71	5000-277-502	HEATER ELEMENT 5 KW (M2, M6)	M22 - EHK4-30
81	0200-129-004P	30 AMP CIRCUIT BREAKER 2P (M2)	M23 - EHK4-45
91	0200-129-100	BREAKER FEET (M1, M2, M3, M4, M5, M6, M7, M8, M9, M10)	M24 - EHK7-10
101	0200-134-005	WIRE HARNESS ASSY (M1, M2, M3, M4, M5, M6, M7, M8, M9, M10)	M25 - EHK7-15
NS	0400-008-001	TINNERMAN CLIP (M1, M2, M3, M4, M5, M6, M7, M8, M9, M10)	M26 - EHK7-16
			M27 - EHK7-18
			M28 - EHK7-20
			M29 - EHK7-30
			M30 - EHK7-45

EHK Heater Kits w/Fuse



EHK Heater Kits w/Fuse

Ref. Part No: No:	Description:	Ref. Part No: No:	Description:
-------------------	--------------	-------------------	--------------

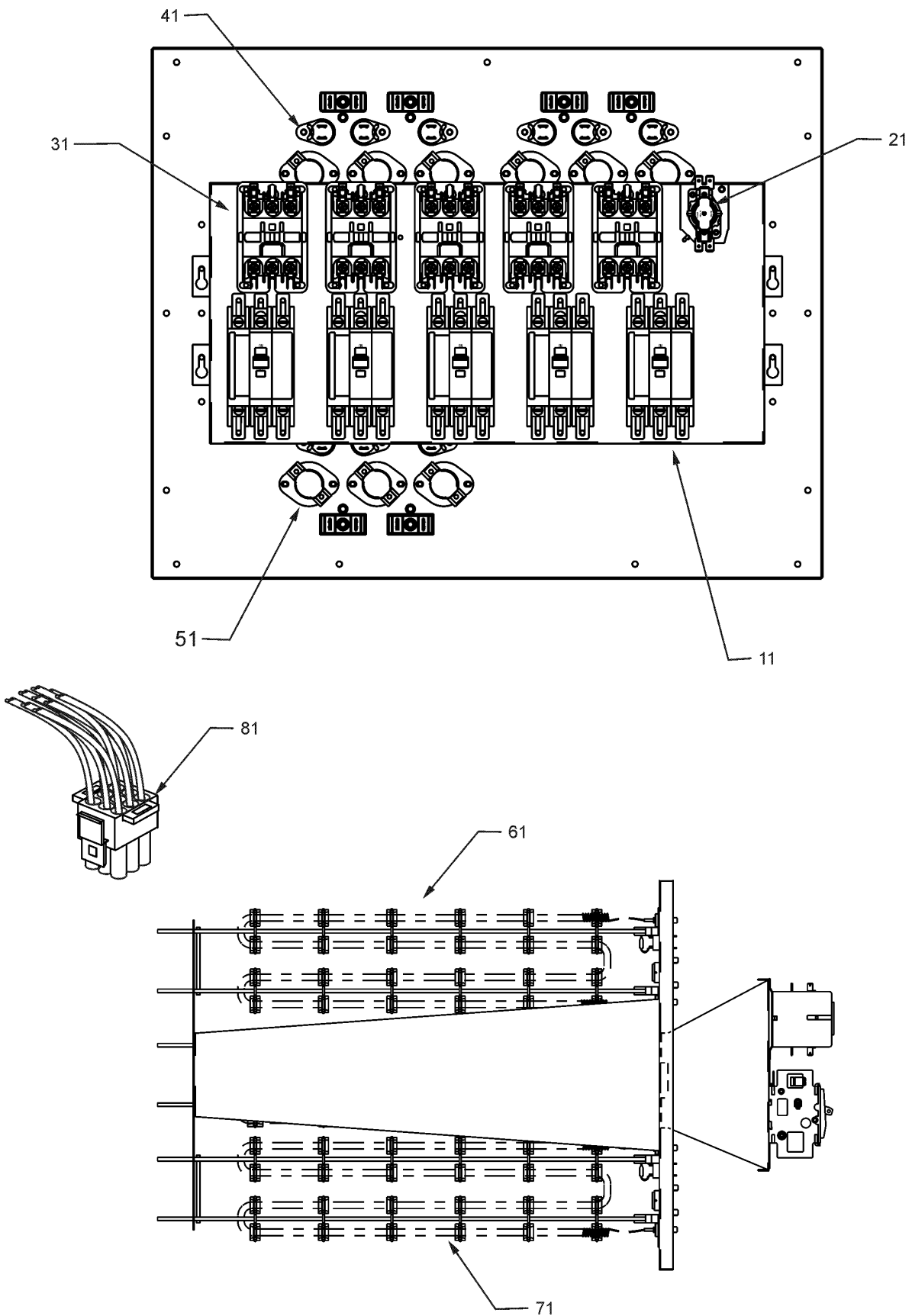
Image 1:

11	0200-147-003P	MIDGET FUSE KTK-20 20 AMP (M26)
11	0200-147-004P	MIDGET FUSE KTK-25 25 AMP (M19)
21	0200-132-001P	SEQUENCER 1P (M19, M26)
31	0200-167-008P	3 Pole Contactor HCC-3XQ02GN108 (M19, M26)
51	0200-148-001P	ONE SHOT LIMIT 250°F (M19, M26)
61	0200-197-001P	THERMOSTAT (M19, M26)
71	5000-278-481	HEATER ELEMENT 5 KW 480V (M19)
71	5000-278-602	HEATER ELEMENT 5 KW, 575V (M26)
91	0200-146-001P	FUSE BLOCK (M19, M26)
101	0200-134-005	WIRE HARNESS ASSY (M19, M26)
NS	0400-008-001	TINNERMAN CLIP (M19, M26)

Expanded Model Nomenclature

M1 - EHK1-10
M2 - EHK1-15
M3 - EHK1-18
M4 - EHK1-20
M5 - EHK3-10
M6 - EHK3-15
M7 - EHK3-16
M8 - EHK3-18
M9 - EHK3-20
M10 - EHK3-25
M11 - EHK3-30
M12 - EHK3-31
M13 - EHK3-45
M14 - EHK3-46
M15 - EHK3-60
M16 - EHK3-75
M17 - EHK4-10
M18 - EHK4-15
M19 - EHK4-16
M20 - EHK4-18
M21 - EHK4-20
M22 - EHK4-30
M23 - EHK4-45
M24 - EHK7-10
M25 - EHK7-15
M26 - EHK7-16
M27 - EHK7-18
M28 - EHK7-20
M29 - EHK7-30
M30 - EHK7-45

EHK Heater Kits w/CB



EHK Heater Kits w/CB

Ref. Part No:	Ref. Part No:	Description:	Description:
---------------	---------------	--------------	--------------

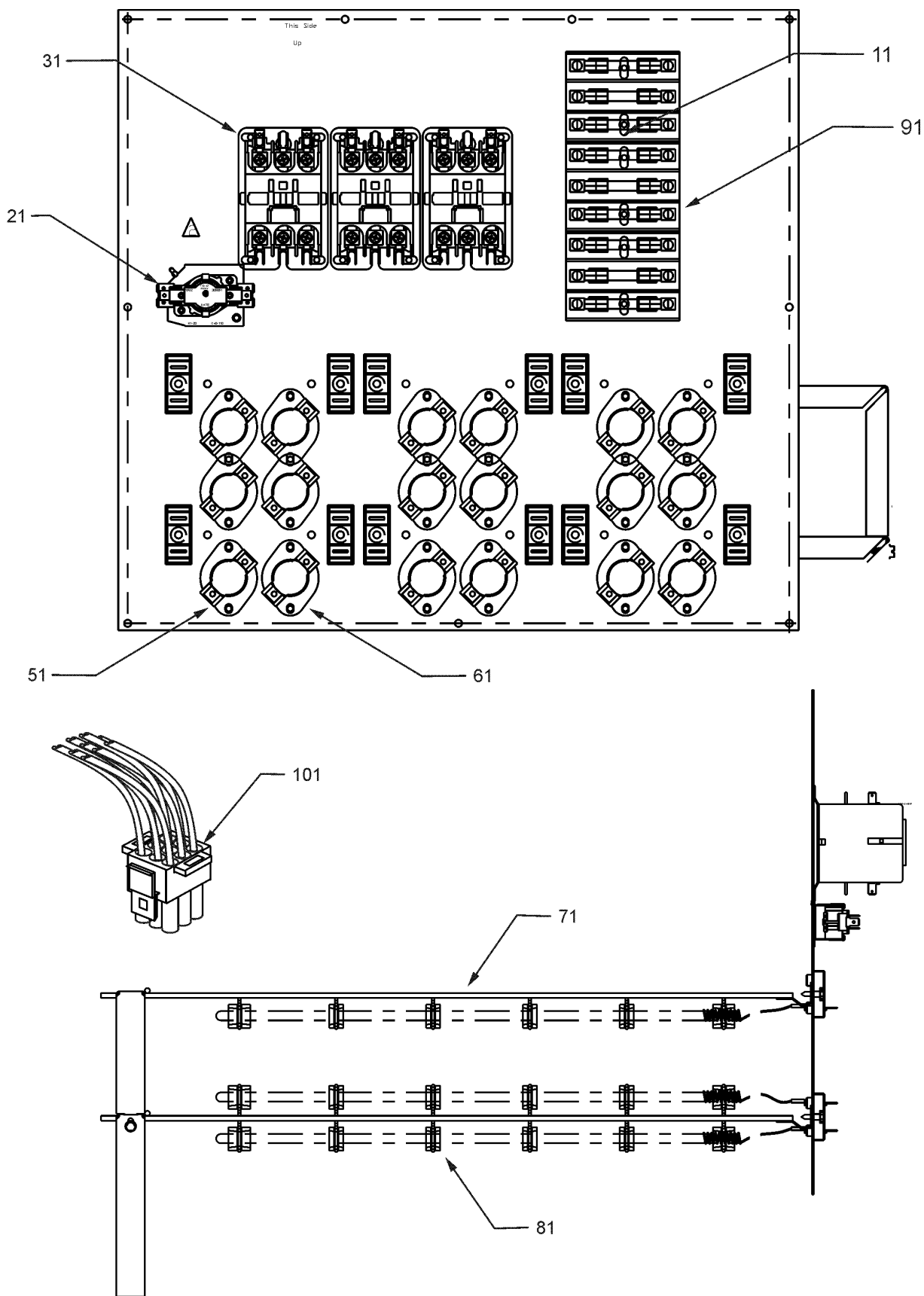
Image 1:

11	0200-130-007P	QOU345 CIRCUIT BREAKER (M12, M14, M15, M16)
21	0200-132-001P	SEQUENCER (M12, M14, M15, M16)
31	0200-167-008P	3 Pole Contactor HCC-3XQ02GN108 (M12, M14, M15, M16)
41	0200-140-001P	FUSE LINK 121°C (M12, M14, M15, M16)
51	0200-054-001P	THERMOSTAT (M16)
51	0200-141-001P	THERMOSTAT (M12, M14, M15)
61	5000-278-501	HEATER ELEMENT 5 KW, 240V (M12, M14, M15, M16)
71	5000-279-501	HEATER ELEMENT 10 KW, 240V (M12, M14, M15, M16)
81	0200-134-015	WIRE HARNESS ASSY (M12, M14, M15, M16)

Expanded Model Nomenclature

M1 - EHK1-10
M2 - EHK1-15
M3 - EHK1-18
M4 - EHK1-20
M5 - EHK3-10
M6 - EHK3-15
M7 - EHK3-16
M8 - EHK3-18
M9 - EHK3-20
M10 - EHK3-25
M11 - EHK3-30
M12 - EHK3-31
M13 - EHK3-45
M14 - EHK3-46
M15 - EHK3-60
M16 - EHK3-75
M17 - EHK4-10
M18 - EHK4-15
M19 - EHK4-16
M20 - EHK4-18
M21 - EHK4-20
M22 - EHK4-30
M23 - EHK4-45
M24 - EHK7-10
M25 - EHK7-15
M26 - EHK7-16
M27 - EHK7-18
M28 - EHK7-20
M29 - EHK7-30
M30 - EHK7-45

EHK Heater Kits w/Fuse



EHK Heater Kits w/Fuse

Ref. Part No: No:	Description:	Ref. Part No: No:	Description:
-------------------	--------------	-------------------	--------------

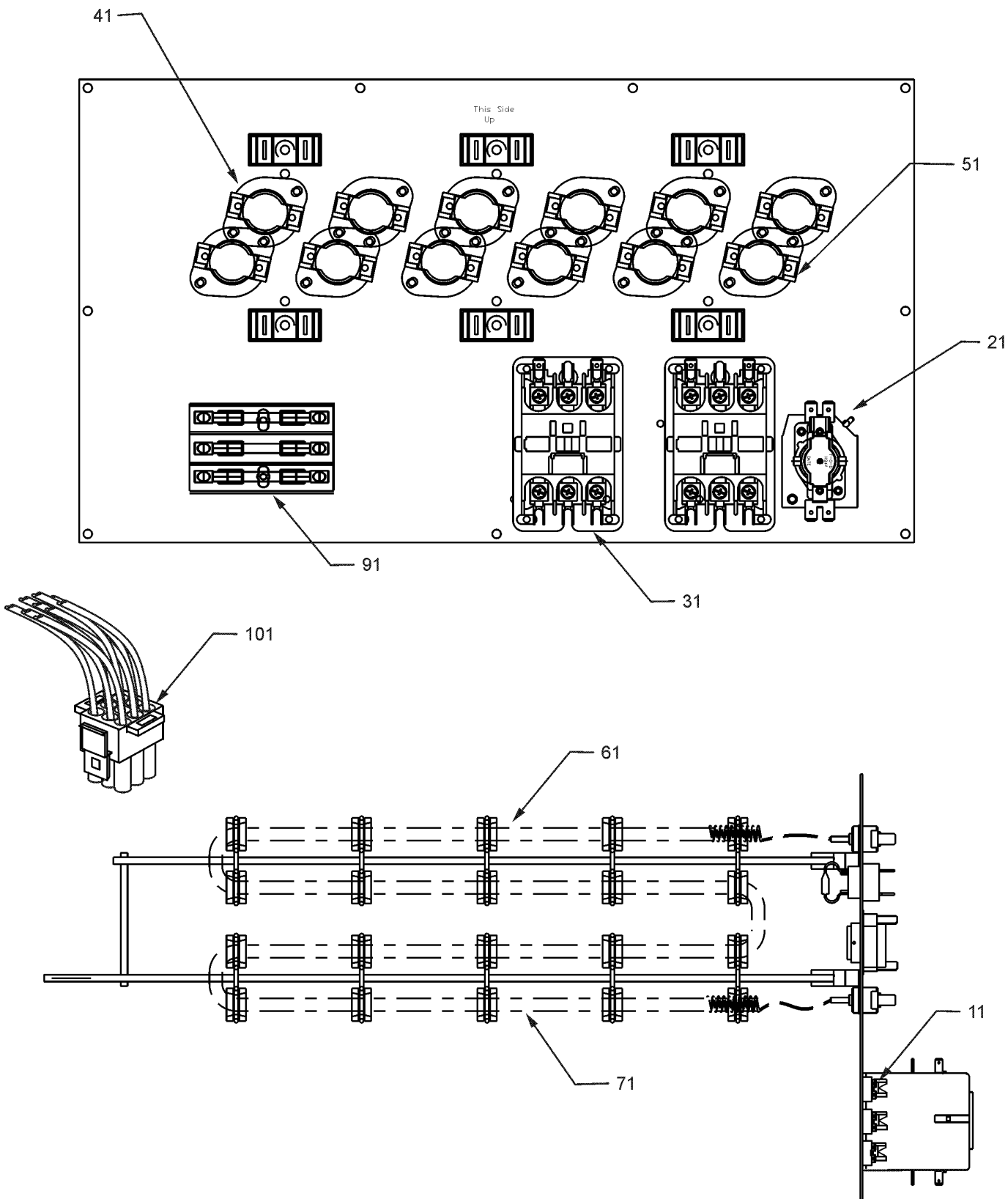
Image 1:

11	0200-147-003P	MIDGET FUSE KTK-20 20 AMP (M29, M30)
11	0200-147-004P	MIDGET FUSE KTK-25 25 AMP (M22, M23)
21	0200-132-001P	SEQUENCER 1P (M22, M23, M29, M30)
31	0200-167-008P	3 Pole Contactor HCC-3XQ02GN108 (M22, M23, M29, M30)
51	0200-148-001P	ONE SHOT LIMIT 250°F (M22, M23, M29, M30)
61	0200-197-001P	THERMOSTAT (M22, M23, M29, M30)
71	5000-275-602	HEATER ELEMENT 10 KW (M29)
71	5000-279-481	HEATER ELEMENT 10 KW 480V (M22, M23)
71	5000-279-603	HEATER ELEMENT 10 KW, 575V (M30)
81	5000-278-481	HEATER ELEMENT 5 KW 480V (M23)
81	5000-278-603	HEATER ELEMENT 5 KW, 575V (M30)
91	0200-146-001P	FUSE BLOCK (M22, M23, M29, M30)
101	0200-134-006	WIRE HARNESS ASSY (M22, M23, M29, M30)
NS	0400-008-001	TINNERMAN CLIP (M22, M23, M29, M30)

Expanded Model Nomenclature

M1 - EHK1-10
M2 - EHK1-15
M3 - EHK1-18
M4 - EHK1-20
M5 - EHK3-10
M6 - EHK3-15
M7 - EHK3-16
M8 - EHK3-18
M9 - EHK3-20
M10 - EHK3-25
M11 - EHK3-30
M12 - EHK3-31
M13 - EHK3-45
M14 - EHK3-46
M15 - EHK3-60
M16 - EHK3-75
M17 - EHK4-10
M18 - EHK4-15
M19 - EHK4-16
M20 - EHK4-18
M21 - EHK4-20
M22 - EHK4-30
M23 - EHK4-45
M24 - EHK7-10
M25 - EHK7-15
M26 - EHK7-16
M27 - EHK7-18
M28 - EHK7-20
M29 - EHK7-30
M30 - EHK7-45

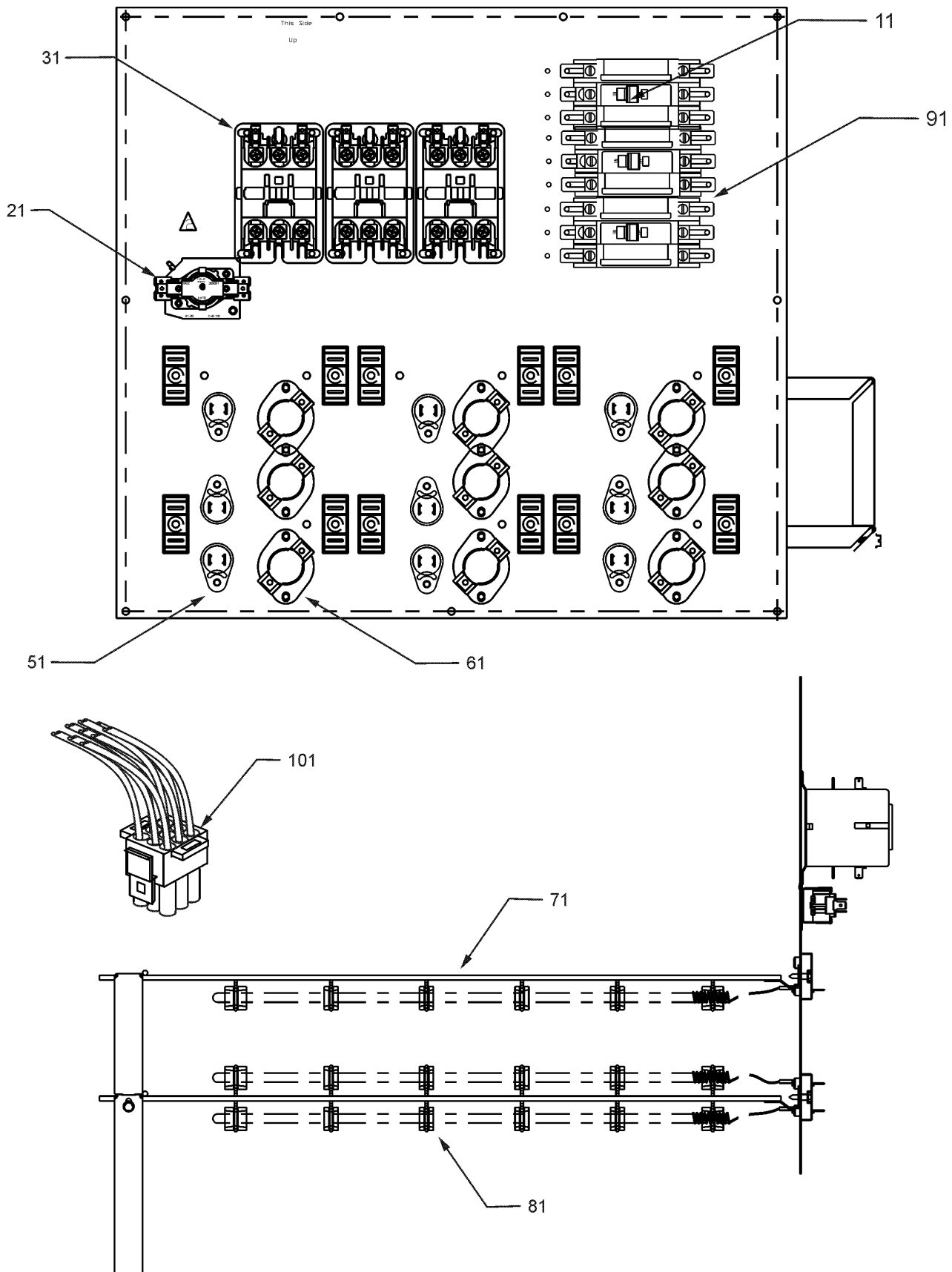
EHK Heater Kit w/Fuse



EHK Heater Kit w/Fuse

Ref. Part No:	No:	Description:	Ref. Part No:	No:	Description:
<i>Image 1:</i>			Expanded Model Nomenclature		
11	0200-146-001P	FUSE BLOCK (M17, M18, M20, M21, M24, M25, M27, M28)	M1	-	EHK1-10
21	0200-132-001P	SEQUENCER (M17, M18, M20, M21, M24, M25, M27, M28)	M2	-	EHK1-15
31	0200-167-008P	3 Pole Contactor HCC-3XQ02GN108 (M17, M18, M20, M21, M24, M25, M27, M28)	M3	-	EHK1-18
41	0200-142-001P	ONE SHOT LIMIT 60F14 200°F (M17, M18, M21, M24, M25, M28)	M4	-	EHK1-20
41	0200-151-001P	ONE SHOT LIMIT 60F14 208°F (M20, M27)	M5	-	EHK3-10
51	0200-141-001P	THERMOSTAT (M17, M18, M20, M21, M24, M25, M27, M28)	M6	-	EHK3-15
61	5000-275-602	HEATER ELEMENT 10 KW (M25)	M7	-	EHK3-16
61	5000-277-482	HEATER ELEMENT 5 KW (M17, M18)	M8	-	EHK3-18
61	5000-275-603	HEATER ELEMENT 6 KW (M27)	M9	-	EHK3-20
61	5000-275-601	HEATER ELEMENT 6.65 KW (M24, M28)	M10	-	EHK3-25
71	5000-275-482	HEATER ELEMENT 10 KW (M17, M18)	M11	-	EHK3-30
71	5000-277-601	HEATER ELEMENT 3.325 KW (M24)	M12	-	EHK3-31
71	5000-277-602	HEATER ELEMENT 5 KW (M25)	M13	-	EHK3-45
71	5000-275-483	HEATER ELEMENT 6 KW (M20)	M14	-	EHK3-46
71	5000-275-481	HEATER ELEMENT 6.65 KW (M21)	M15	-	EHK3-60
91	0200-147-002P	MIDGET FUSE KTK-15 15 AMP (M17, M24)	M16	-	EHK3-75
91	0200-147-003P	MIDGET FUSE KTK-20 20 AMP (M17, M18, M20, M21, M25)	M17	-	EHK4-10
91	0200-147-004P	MIDGET FUSE KTK-25 25 AMP (M17, M18, M27, M28)	M18	-	EHK4-15
91	0200-147-005P	MIDGET FUSE KTK-30 30 AMP (M17, M18, M20, M21)	M19	-	EHK4-16
101	0200-134-005	WIRE HARNESS ASSY (M17, M18, M20, M21, M24, M25, M27, M28)	M20	-	EHK4-18
NS	0400-008-001	TINNERMAN CLIP (M17, M18, M20, M21, M24, M25, M27, M28)	M21	-	EHK4-20
			M22	-	EHK4-30
			M23	-	EHK4-45
			M24	-	EHK7-10
			M25	-	EHK7-15
			M26	-	EHK7-16
			M27	-	EHK7-18
			M28	-	EHK7-20
			M29	-	EHK7-30
			M30	-	EHK7-45

EHK Heater Kit w/CB



EHK Heater Kit w/CB

Ref. Part No: No:	Description:	Ref. Part No: No:	Description:
-------------------	--------------	-------------------	--------------

Image 1:

11	0200-130-007P	QOU345 CIRCUIT BREAKER (M11, M13)
21	0200-132-001P	SEQUENCER 1P (M11, M13)
31	0200-167-008P	3 Pole Contactor HCC-3XQ02GN108 (M11, M13)
51	0200-140-001P	FUSE LINK 121°C (M11, M13)
61	0200-054-001P	THERMOSTAT (M11, M13)
71	5000-278-501	HEATER ELEMENT 5 KW, 240V (M13)
81	5000-279-501	HEATER ELEMENT 10 KW, 240V (M11, M13)
91	0200-129-100	BREAKER FEET (M11, M13)
101	0200-134-005	WIRE HARNESS ASSY (M11)
101	0200-134-006	WIRE HARNESS ASSY (M13)
NS	0400-008-001	TINNERMAN CLIP (M11, M13)

Expanded Model Nomenclature

M1 - EHK1-10
M2 - EHK1-15
M3 - EHK1-18
M4 - EHK1-20
M5 - EHK3-10
M6 - EHK3-15
M7 - EHK3-16
M8 - EHK3-18
M9 - EHK3-20
M10 - EHK3-25
M11 - EHK3-30
M12 - EHK3-31
M13 - EHK3-45
M14 - EHK3-46
M15 - EHK3-60
M16 - EHK3-75
M17 - EHK4-10
M18 - EHK4-15
M19 - EHK4-16
M20 - EHK4-18
M21 - EHK4-20
M22 - EHK4-30
M23 - EHK4-45
M24 - EHK7-10
M25 - EHK7-15
M26 - EHK7-16
M27 - EHK7-18
M28 - EHK7-20
M29 - EHK7-30
M30 - EHK7-45