

## Commercial 4 Ton Package Gas Unit

DSG0480703BHDBAA  
DSG0480703BWDUAA  
DSG0480703BWXAAA  
DSG0480703BWXXAA  
DSG0480704BVXBAA  
DSG0480704BXXAAA  
DSG0480704BXXBAA  
DSG0480903B1DDAA  
DSG0480903B2PXAA  
DSG0480903BJXAAA  
DSG0480903BWBPA  
DSG0480903BWDAAA  
DSG0480903BWDLAA  
DSG0480903BXSXAA  
DSG0480904BHXNAA  
DSG0480904BVXDAA  
DSG0480904BXSXAA  
DSG0481153BBXXAA  
DSG0481153BFXXAA  
DSG0481153BWXDAA  
DSG0481153BXXAAA  
DSG0481154BFXXAA  
DSG0481154BHXBAA  
DSG0481154BWXBAA  
DSG0481157BWDXAA



This manual is to be used by qualified technicians only.

This manual replaces RP-D1265B.

# Important Information

---

## Index

Functional Parts List .....	3
Illustration and Parts .....	4 - 17

*Views shown are for parts illustrations only, not servicing procedures*

### Text Codes:

AR - As Required

NA - Not Available

NS - Not Shown

00000000 - See Note

QTY - Quantity Example (QTY 3) (If Quantity not shown, Quantity = 1)

M - Model Example (M1) (If M Code not shown, then part is used on all Models)

### Expanded Model Nomenclature:

Example M1 - Model#1 M2 - Model#2 M3 - Model#3
---------------------------------------------------------

Daikin Company, L.P. is not responsible for personal injury or property damage resulting from improper service. Review all service information before beginning repairs.

Warranty service must be performed by an authorized technician, using authorized factory parts. If service is required after the warranty expires, Daikin Company, L.P. also recommends contacting an authorized technician and using authorized factory parts.

Daikin Company, L.P. reserves the right to discontinue, or change at any time, specifications or designs without notice or without incurring obligations.

For assistance within the U.S.A. contact:

Equipment Support  
Daikin North America, LLC  
19001 Kermier Road  
Waller, Texas 77484  
855-770-5678-Telephone  
713-863-2382-Facsimile

For assistance outside the U.S.A. contact:

International Division  
Daikin North America, LLC  
19001 Kermier Road  
Waller, Texas 77484  
713-861-2500-Telephone  
713-863-2382-Facsimile

# Functional Parts

## Part

## No: Description:

Part No:	Description:	Part No:	Description:
10735102	BECKETT BURNER (QTY 3)	0130M00595	TRANSFORMER, 75VA, 480V TO 24V (M5, M6, M7, M15, M16, M17, M22, M23, M24)
CAP075000440LA	CAP 7.5 MFD/440V/OVAL (M5, M6, M7, M15, M16, M17, M23, M24)	0130M00598	TRANSFORMER, 75VA, 575V TO 24V (M25)
CAP050000370LA	CAP, 5 MFD/370V/OVAL (M18, M19)	<b>Expanded Model Nomenclature</b>	
CAP075000370LA	CAP, 7.5 MFD/370V/OVAL (M22)	M1 - DSG0480703BHDBAA	
CAP030000440LA	CAPACITOR (M25)	M2 - DSG0480703BWDUAA	
CAP050000440LA	CAPACITOR 5/440V (M1, M2, M3, M4, M8, M9, M10, M11, M12, M13, M14, M20, M21)	M3 - DSG0480703BWXAAA	
ZP39K5ETFD130	COMP, 39000, 460/60/3 (M5, M6, M7, M15, M16, M17, M22, M23, M24)	M4 - DSG0480703BWXXAA	
ZP39K5ETF5130	COMP, 39000,200/230/60/3 (M1, M2, M3, M4, M8, M9, M10, M11, M12, M13, M14, M18, M19, M20, M21)	M5 - DSG0480704BVXBAA	
ZP39K5ETFE130	COMP, 39000,575/60/3 (M25)	M6 - DSG0480704BXXAAA	
CONT3P025024V	CONTACTOR 25 AMP, 3P, 24V (M5, M6, M7, M15, M16, M17, M22, M23, M24, M25)	M7 - DSG0480704BXXBAA	
CONT3P030024V	CONTACTOR 30 AMP, 3P, 24V (M1, M2, M3, M4, M8, M9, M10, M11, M12, M13, M14, M18, M19, M20, M21)	M8 - DSG0480903BJXAAA	
0259L00368	CURRENT SWITCH WITH TERMS (M18, M19, M22)	M9 - DSG0480903BWBPA	
0130M00074	CUT-OUT SWITCH, HIGH PRESSURE	M10 - DSG0480903BWDAAA	
0130M00087	CUT-OUT SWITCH, LOW PRESSURE	M11 - DSG0480903BWDLAA	
0130L00112	Duct Temp Sensor (M18, M19, M22)	M12 - DSG0480903BXSXAA	
0164L00010	FAN BELT, NOTCHED	M13 - DSG0480903B1DDAA	
0150G00004	FAN BLADE	M14 - DSG0480903B2PXAA	
0130F00010	FLAME SENSOR	M15 - DSG0480904BHXNAA	
0151F00000P	GAS VALVE	M16 - DSG0480904BVXDAA	
20261709	IGNITOR	M17 - DSG0480904BXSXAA	
10123532	MANUAL RESET LIMIT 350°F	M18 - DSG0481153BBXXAA	
0131M00847	MOTOR, 1/4 HP, 1 SP, 6 PL (M1, M3, M4, M8, M9, M10, M12, M13, M14, M18, M19, M20, M21)	M19 - DSG0481153BFXXAA	
0131M00857	MOTOR, 380/460 50/60 HZ (M5, M6, M7, M15, M16, M17, M22, M23, M24)	M20 - DSG0481153BWXDAA	
0131L00061	Motor, Cond, 1/4 HP, 208/230V (M2, M11)	M21 - DSG0481153BXXAAA	
0131M00431	MOTOR, COND, 575 V (M25)	M22 - DSG0481154BFXXAA	
0131L00003	MOTOR-1 HP BELT DRIVE (M1, M2, M3, M4, M5, M6, M7, M8, M9, M10, M11, M12, M13, M14, M15, M16, M17, M18, M19, M20, M21, M22, M23, M24)	M23 - DSG0481154BHXBAA	
0131L00004	MOTOR-1.5 HP BELT DRIVE 575 (M25)	M24 - DSG0481154BWXBAA	
0130L00108	OD Air Temp Sensor (M18, M19, M22)	M25 - DSG0481157BWDXAA	
PCBCG103	PCB, CONTROL, HP, GAS ,AC (M18, M19, M22)		
PCBAG123	PCB, IGNITION, DSI		
11112501	PRESSURE SWITCH		
0130F00037	PRIMARY LIMIT - GRAY 150° (M1, M2, M3, M4, M5, M6, M7, M18, M19, M20, M21, M22, M23, M24, M25)		
20162905	PRIMARY LIMIT-YELLOW (M8, M9, M10, M11, M12, M13, M14, M15, M16, M17)		
0130M00025	RELAY, SPDT		
0130M00038	TERMINAL BOARD		
0130M00274	TERMINAL BOARD (M18, M19, M22)		
0130M00275	TERMINAL BOARD (M18, M19, M22)		
0130M00596	TRANS, 150VA, 480V TO 230V (M5, M6, M7, M15, M16, M17, M22, M23, M24)		
0130M00597	TRANS, 150VA, 575V TO 230V (M25)		
0130M00138	TRANSFORMER 208/230, 24V (M1, M2, M3, M4, M8, M9, M10, M11, M12, M13, M14, M18, M19, M20, M21)		

# Top Panel and Tubing Assembly

IMAGE 1

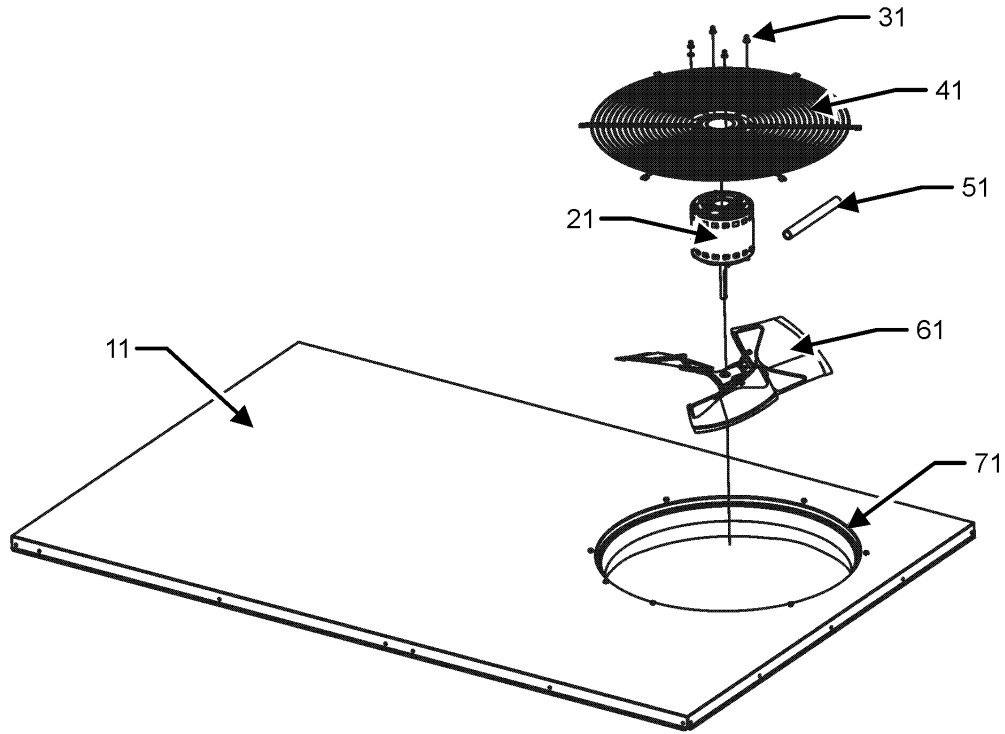
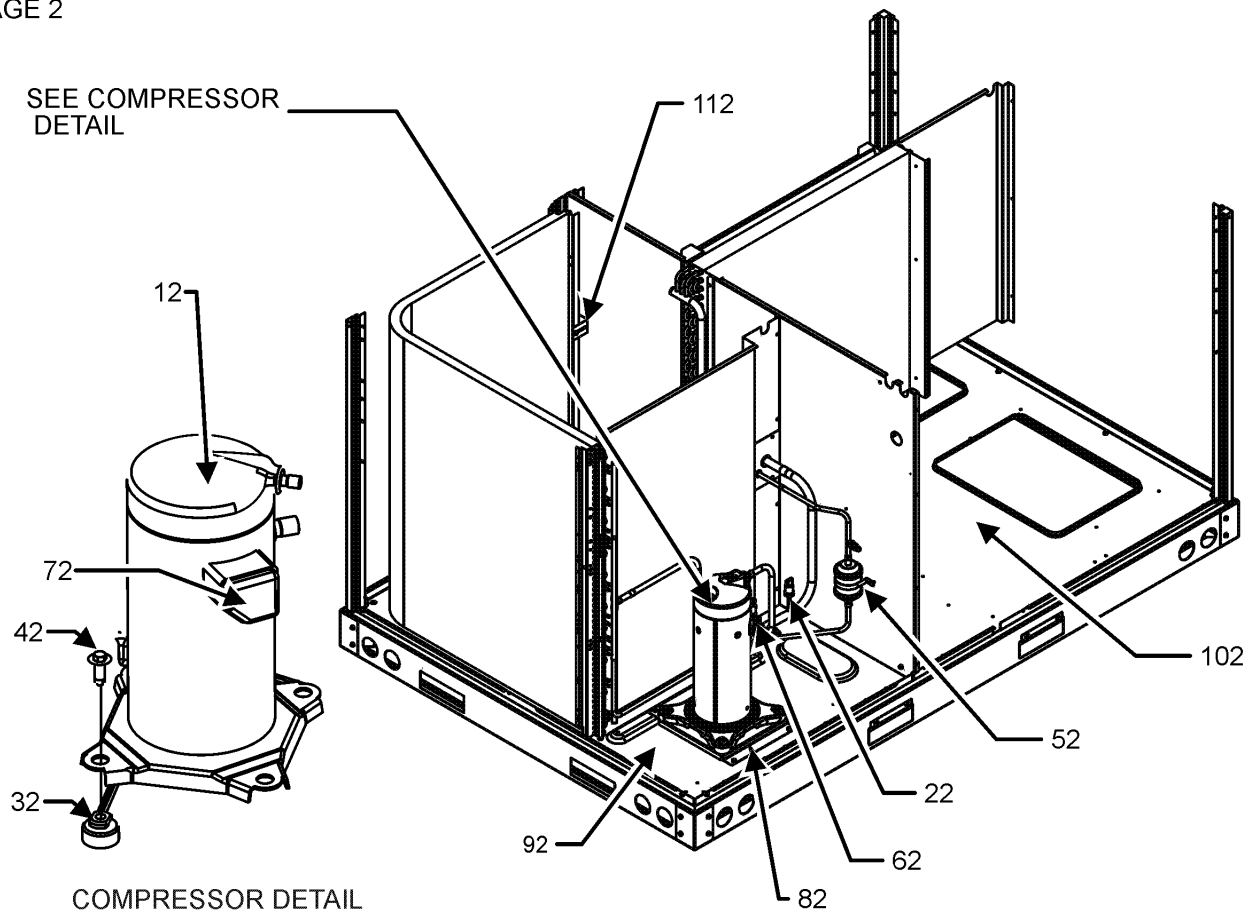


IMAGE 2



# Top Panel and Tubing Assembly

Ref. Part No:	Description:	Ref. Part No:	Description:
<b>Image 1:</b>		<b>Expanded Model Nomenclature</b>	
11	0121L00235NG TOP PANEL	M1	- DSG0480703BHDBAA
21	0131M00847 MOTOR, 1/4 HP, 1 SP, 6 PL (M1, M3, M4, M8, M9, M10, M12, M13, M14, M18, M19, M20, M21)	M2	- DSG0480703BWDUAA
21	0131M00857 MOTOR, 380/460 50/60 HZ (M5, M6, M7, M15, M16, M17, M22, M23, M24)	M3	- DSG0480703BWXAAA
21	0131L00061 Motor, Cond, 1/4 HP, 208/230V (M2, M11)	M4	- DSG0480703BWXAAA
21	0131M00431 MOTOR, COND, 575 V (M25)	M5	- DSG0480704BVXBAA
31	0163M00006P ACORN NUT 5/16 HEX BLACK (QTY 4)	M6	- DSG0480704BXXAAA
41	0152G00003 FAN GRILLE (M1, M3, M4, M5, M6, M7, M8, M9, M10, M12, M13, M14, M15, M16, M17, M18, M19, M20, M21, M22, M23, M24, M25)	M7	- DSG0480704BXXBAA
41	0152G00000 FAN GRILLE RAISED (M2, M11)	M8	- DSG0480903BJXAAA
51	0161R00003P CONDUIT	M9	- DSG0480903BWBAAA
61	0150G00004 FAN BLADE	M10	- DSG0480903BWDAAA
71	0161L00000 VENTURI RING 22"	M11	- DSG0480903BWDLAAA
NS	0163M00004 SCREW #10X3/4", BLACK (QTY 3)	M12	- DSG0480903BXSAAA
NS	0163M00005P WASHER, BLACK (.50 OD .218ID) (QTY 4)	M13	- DSG0480903B1DDAAA
		M14	- DSG0480903B2PXAAA
		M15	- DSG0480904BHXNAAA
		M16	- DSG0480904BVXDAAA
		M17	- DSG0480904BXSAAA
		M18	- DSG0481153BBXAAA
		M19	- DSG0481153BFXAAA
		M20	- DSG0481153BWXDAAA
		M21	- DSG0481153BXXAAA
		M22	- DSG0481154BFXAAA
		M23	- DSG0481154BHXBAA
		M24	- DSG0481154BWXBAA
		M25	- DSG0481157BWDXAAA
<b>Image 2:</b>			
12	ZP39K5ETFD130 COMP, 39000, 460/60/3 (M5, M6, M7, M15, M16, M17, M22, M23, M24)		
12	ZP39K5ETF5130 COMP, 39000,200/230/60/3 (M1, M2, M3, M4, M8, M9, M10, M11, M12, M13, M14, M18, M19, M20,		
12	ZP39K5ETFE130 COMP, 39000,575/60/3 (M25)		
22	0130M00087 CUT-OUT SWITCH, LOW PRESSURE		
32	B1339533 COMPRESSOR GROMMET (QTY 4)		
42	M0221641 TF SHOULDER SCREW (QTY 4)		
52	0162R00009 DRIER-FILTER		
62	0130M00074 CUT-OUT SWITCH, HIGH PRESSURE		
72	0159L00065 COMPRESSOR SCROLL HARNESS		
82	0121L00310 COMPRESSOR MOUNTING PLATE		
92	0121L01990 BASE PAN, OUTDOOR		
102	0121L02619 BASE PAN-INDOOR		
112	0121L00936 BRACKET-HAIRPIN END		
NS	B1373315 ACCESS FITTING (QTY 2)		
NS	0141L00003X FORK BOARD (QTY 2)		
NS	0121L00055 FORK BOARD BRACKET (QTY 4)		

# Cabinet Assembly

IMAGE 1

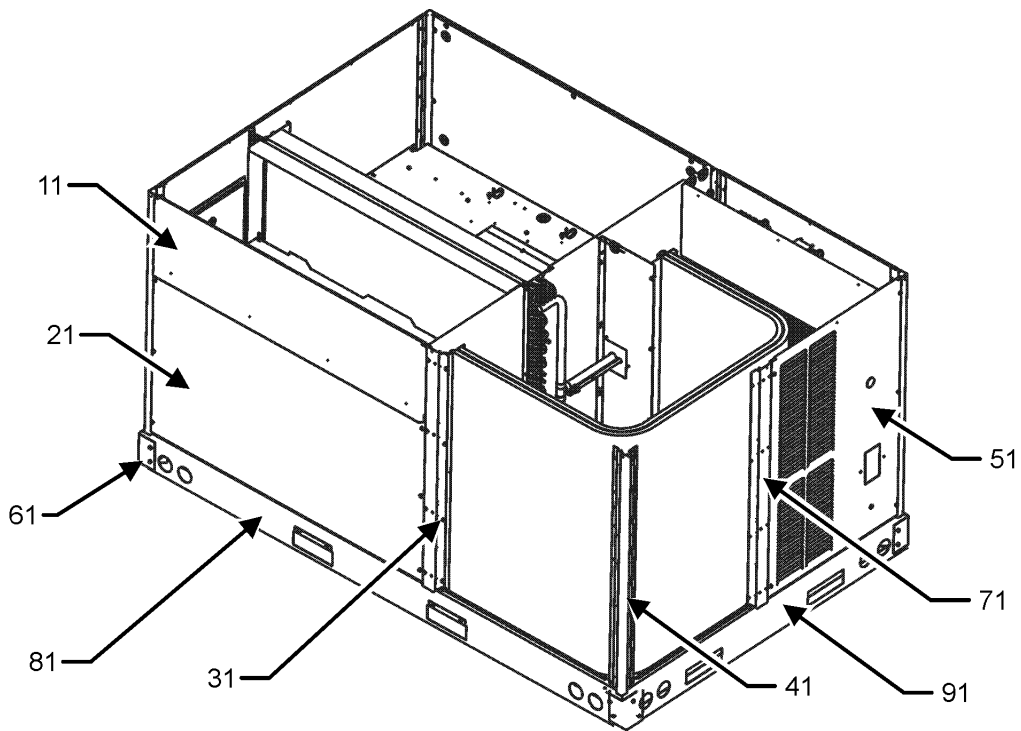
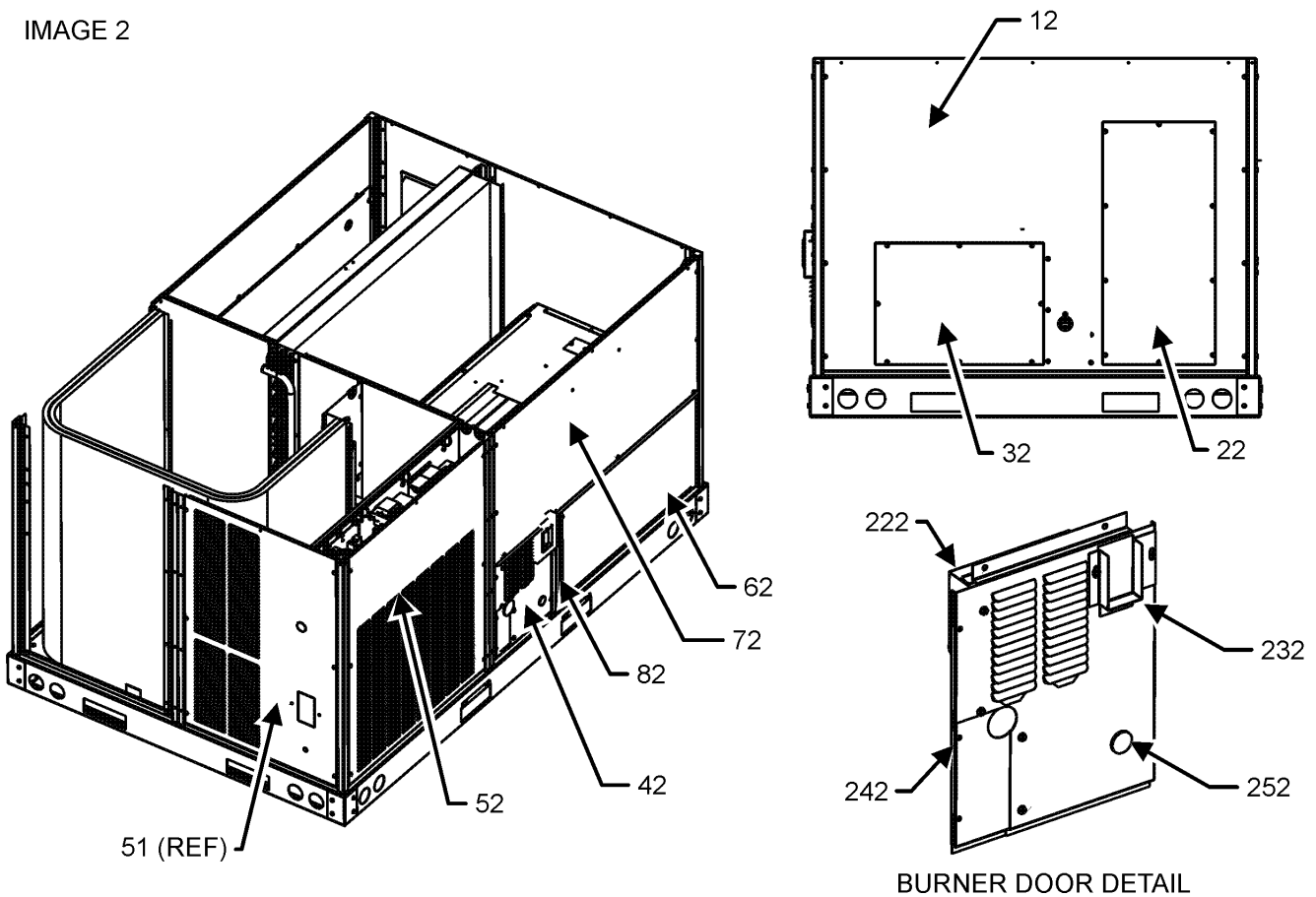


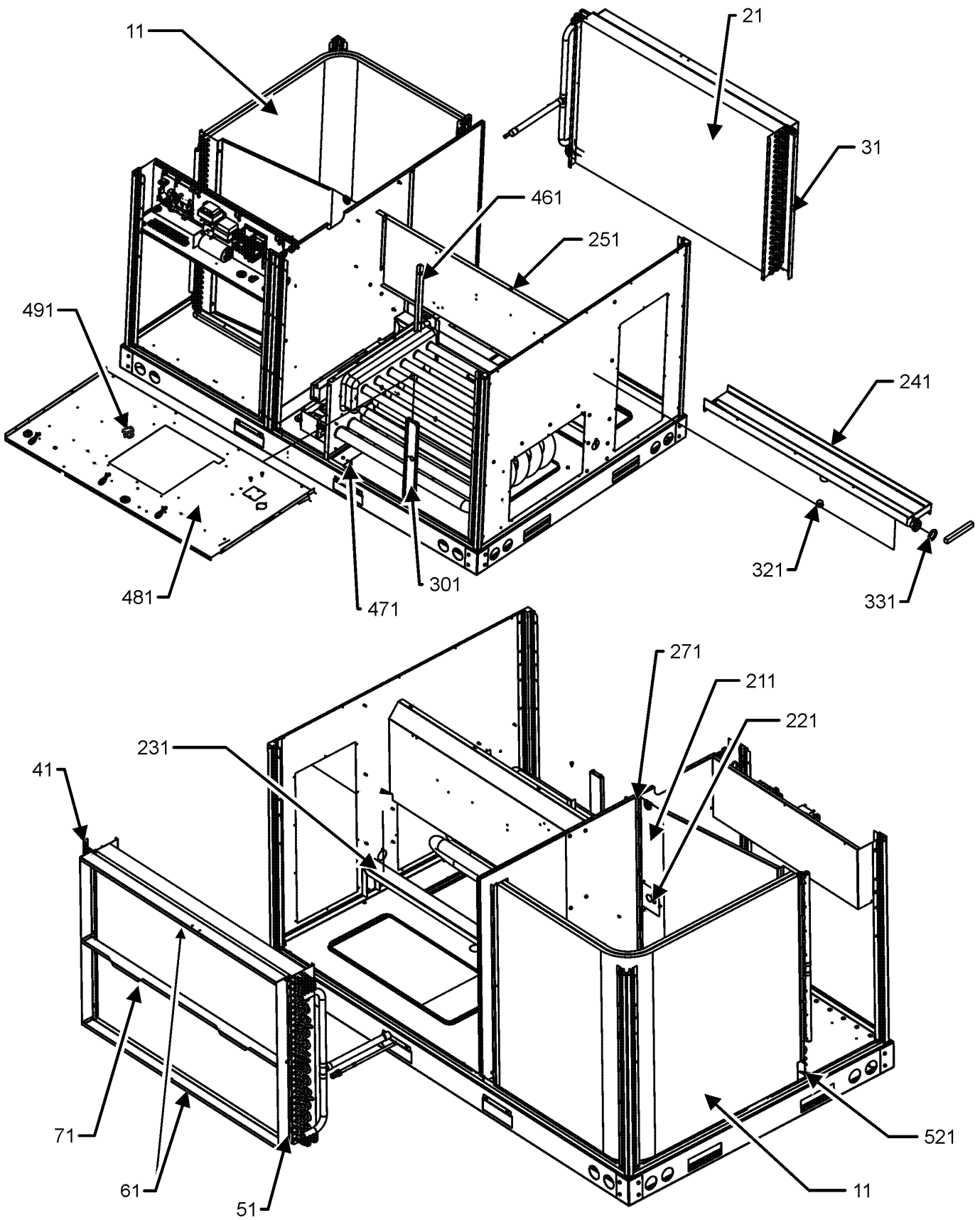
IMAGE 2



# Cabinet Assembly

Ref. Part No:	Ref. Part No:	Description:	Description:
<b>Image 1:</b>		<b>Expanded Model Nomenclature</b>	
11	0270L00362NG	FILTER DOOR	M1 - DSG0480703BHDBAA
21	0121L00976NG	ECONOMIZER DOOR (M1, M2, M3, M4, M5, M6, M7, M9, M10, M11, M12, M13, M14, M15, M16, M17, M18, M20, M21, M23, M24, M25)	M2 - DSG0480703BWDUAA
31	0121L00233RFNG	POST-SIDE SUPPORT (QTY 2)	M3 - DSG0480703BWXAAA
41	0121L00237RFNG	CORNER POST (QTY 2)	M4 - DSG0480703BWXXAA
41	0121L02553RFNG	PNT, CORNER POST (M1, M2, M10, M11, M13, M14, M25)	M5 - DSG0480704BVXBAA
51	0121L00263NG	LOUVERED COMPRESSOR PANEL (M5, M6, M7, M12, M14, M16, M17, M18, M19, M21, M22)	M6 - DSG0480704BXXAAA
51	0121L00836NG	LOUVERED COMPRESSOR PANEL (M1, M2, M3, M4, M8, M9, M10, M11, M13, M15, M20, M23, M24, M25)	M7 - DSG0480704BXXBAA
61	0121G00301	RAIL CORNER BRACKET (QTY 4)	M8 - DSG0480903BJXAAA
71	0121L01374RFNG	PNT, RL FMD SIDE POST SUPPORT (M1, M2, M10, M11, M13, M14, M25)	M9 - DSG0480903BWBPA
71	0121L01159RFNG	POST-SIDE SUPPORT (M3, M4, M5, M6, M7, M8, M9, M12, M15, M16, M17, M18, M19, M20, M21, M22, M23, M24)	M10 - DSG0480903BWDAAA
81	0121L00244RF	SIDE RAIL (QTY 2)	M11 - DSG0480903BWDLAA
91	0121L00245	END RAIL	M12 - DSG0480903BXSXAA
NS	0121L01309	ECONOMIZER COVER (M8, M19, M22)	M13 - DSG0480903B1DDAA
NS	0164L00009	GASKET-RUBBER, CPOST (QTY 3)	M14 - DSG0480903B2PXA
NS	0164L00011	GASKET-RUBBER, SIDE POST (QTY 3)	M15 - DSG0480904BHXNAA
<b>Image 2:</b>			
12	0121L00236NG	DUCT PANEL	M16 - DSG0480904BVXDAA
22	0121L00023NG	RETURN DUCT COVER	M17 - DSG0480904BXSXAA
32	0121L00024NG	SUPPLY DUCT COVER	M18 - DSG0481153BBXAA
42	0121L01438NG	BURNER DOOR	M19 - DSG0481153BFXXAA
52	0121L01121NG	CONTROL PANEL W/LOUVERS (M3, M4, M5, M6, M7, M8, M9, M12, M15, M16, M17, M18, M19, M20, M21, M22, M23, M24)	M20 - DSG0481153BWXDAA
52	0121L02551NG	PNT, CONTROL DOOR (M1, M2, M10, M11, M13, M14, M25)	M21 - DSG0481153BXXAAA
62	0121L01108NG	HEAT EXCHANGER DOOR	M22 - DSG0481154BFXXAA
72	0121L01157NG	BLOWER DOOR	M23 - DSG0481154BHXBAA
82	0121L01110RFNG	POST-BURNER	M24 - DSG0481154BWXBAA
222	0121L01439	RAIN SHIELD DOOR	M25 - DSG0481157BWDXAA
232	0121L01440NG	FLUE COLLAR	
242	0121L01441NG	BURNER DOOR PANEL	
252	B1392139	VIEW PORT BUSHING, CLEAR 1.00	
NS	0121L02655	END RAIL	
NS	B1910010	GAS LINE GROMMET	

# Partition Assembly

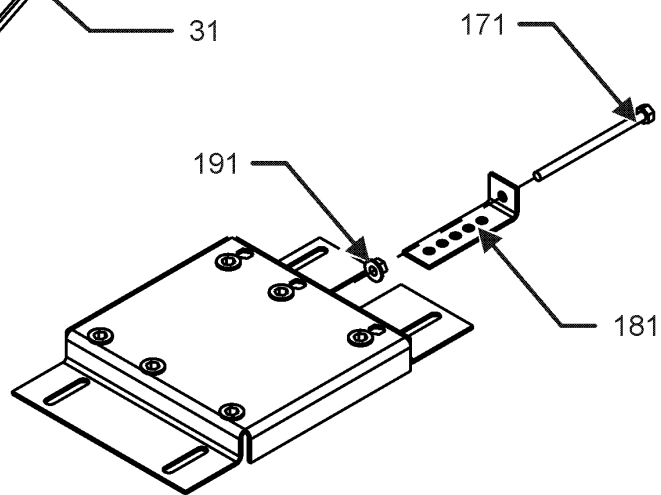
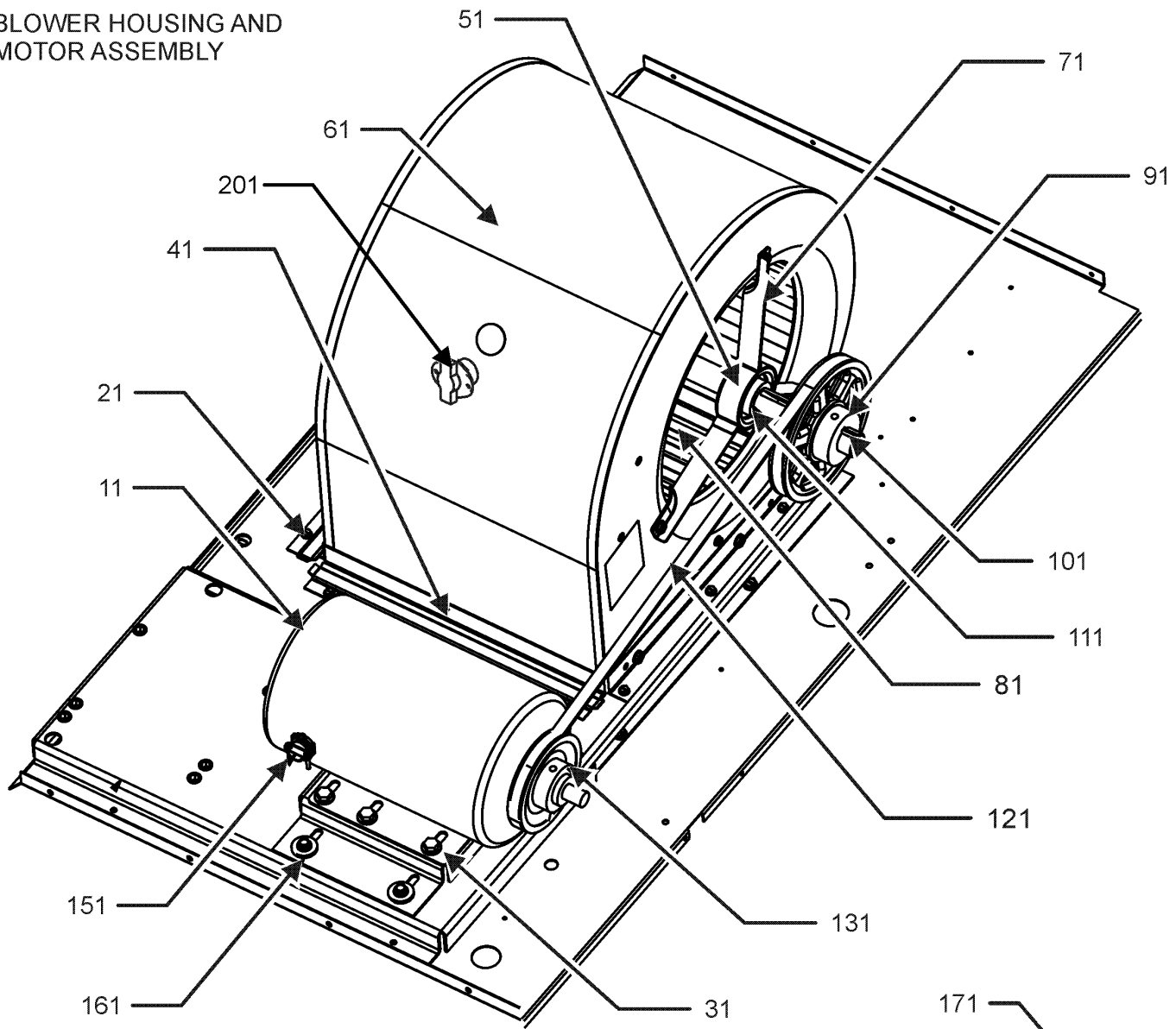


# Partition Assembly

Ref. Part No:	No:	Description:	Ref. Part No:	No:	Description:
<b>Image 1:</b>			<b>Expanded Model Nomenclature</b>		
11	0201L00141	TUBING ASSY, COND COIL	M1	-	DSG0480703BHDBAA
21	0202L00163	TUBING ASSY, EVAP COIL	M2	-	DSG0480703BWDUAA
31	0121L00252	BLOCKOFF-EVAPORATOR (M1, M3, M4, M5, M6, M7, M8, M9, M10, M12, M14, M17, M18, M19, M21, M22, M23, M24, M25)	M3	-	DSG0480703BWXAAA
31	0121L00337	BLOCKOFF-EVAPORATOR (M2, M11, M13, M15, M16, M20)	M4	-	DSG0480703BWXAAA
41	0121L00303	FILTER ANGLE-VERTICAL (HAIRPIN SIDE)	M5	-	DSG0480704BVXBAA
51	0121L00287	FILTER ANGLE-VERTICAL (RETURN SIDE)	M6	-	DSG0480704BXXAAA
61	0121L00932	FILTER ANGLE-HORIZONTAL (QTY 2)	M7	-	DSG0480704BXXBAA
71	0121L01255	ANGLE-FILTER CENTER	M8	-	DSG0480903BJXAAA
211	0121L00882	COND BLOCK-OFF	M9	-	DSG0480903BWBAAA
221	0121L00939	CONDENSER BLOCKOFF PLATE	M10	-	DSG0480903BWDAAA
231	0121L00238	DRAIN PAN SUPPORT	M11	-	DSG0480903BWDLAA
241	0161L00005	DRAIN PAN	M12	-	DSG0480903BXSAAA
251	0121L02123	DECK SIDE CHANNEL	M13	-	DSG0480903B1DDAA
271	0121L00254	COND MOUNTING ANGLE	M14	-	DSG0480903B2PXAA
301	0121L00300	POST-DECK SUPPORT	M15	-	DSG0480904BHXAAA
321	0163L00071	DRAIN PLUG	M16	-	DSG0480904BVXDAA
331	0154L00009	DRAIN PAN GASKET	M17	-	DSG0480904BXSAAA
461	0121L00293	ANGLE-HEAT EXCHANGER BACK (QTY 2)	M18	-	DSG0481153BBXAAA
471	0121L00266	HEAT PANEL CHANNEL (QTY 2)	M19	-	DSG0481153BFXAAA
481	0121L03396	DECK-BLOWER	M20	-	DSG0481153BWXDAA
491	0130M00063	LIMIT-PRIMARY 1400	M21	-	DSG0481153BXXAAA
521	0121L00937	BRACKET-COND TIE DOWN	M22	-	DSG0481154BFXAAA
NS	0160L00173	AIR FILTER 14 X 20 X 2 (QTY 4)	M23	-	DSG0481154BHXAAA
NS	0121L01377	BLOWER DECK SUPPORT (M1, M2, M10, M11, M13, M14, M25)	M24	-	DSG0481154BWXBAA
NS	A4568804	GROMMET-D (QTY 4)	M25	-	DSG0481157BWDAAA
NS	0121L00321	SMOKE DETECTOR COVER			

# Belt Drive Assembly

BLOWER HOUSING AND  
MOTOR ASSEMBLY



MOUNTING PLATE ASSEMBLY

# Belt Drive Assembly

**Ref. Part  
No: No:**

**Description:**

**Ref. Part  
No: No:**

**Description:**

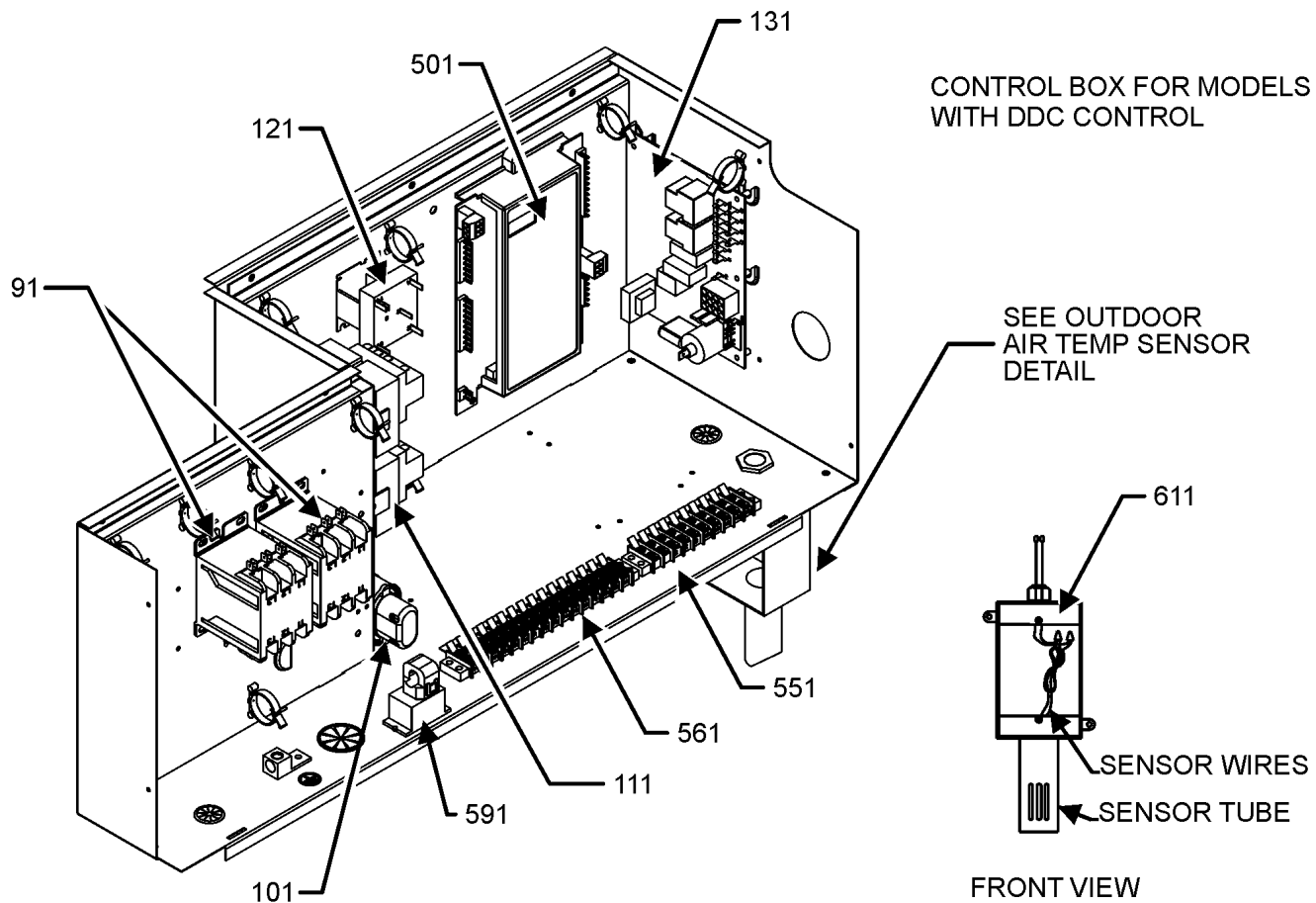
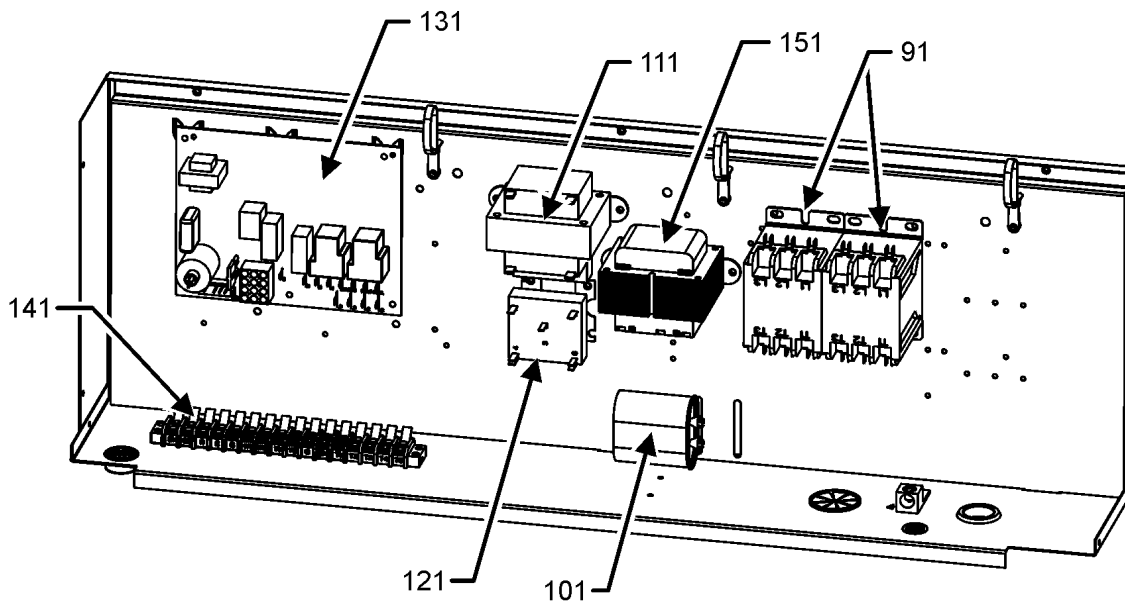
**Image 1:**

11	0131L00003	MOTOR-1 HP BELT DRIVE (M1, M2, M3, M4, M5, M6, M7, M8, M9, M10, M11, M12, M13, M14, M15, M16, M17, M18, M19, M20, M21, M22, M23, M24)
11	0131L00004	MOTOR-1.5 HP BELT DRIVE 575 (M25)
21	0121L00297	BLOWER SIDE ANGLE (QTY 3)
31	0121L01619	MOTOR BASE
41	0121L00281	BLOWER MOUNTING ANGLE
51	0163L00005	BELT DRIVE BLOWER SHAFT
61	2539302F	BLOWER HOUSING 11 X 10
71	B3201300	MOUNTING BRACKET BEARING (QTY 2)
81	B1368056	BELT DRIVE BLOWER WHEEL
91	0163L00135	SHEAVE, FIXED AK66H
101	0163M00407	MACHINE KEY, SPECIAL
111	0163L00247	BEARING, BALL, MOUNTED (QTY 2)
121	0164L00010	FAN BELT, NOTCHED
131	0163L00024	VARIABLE PITCH SHEAVE 1VL40 X 5/8"
151	B1393726	ELECT. CONNECTING BUSHING
161	B1393738	BOLT 1/4-20 X 3/4" (QTY 4)
171	0163M00045	BOLT 1/4-20 X 4"
181	3225000F	BELT TIGHTENER ANGLE
191	B1393023	NUT / LOCK .25-20
201	0130F00037	PRIMARY LIMIT - GRAY 150° (M1, M2, M3, M4, M5, M6, M7, M18, M19, M20, M21, M22, M23, M24,
201	20162905	PRIMARY LIMIT-YELLOW (M8, M9, M10, M11, M12, M13, M14, M15, M16, M17)
NS	1864703	BLOWER CUT-OFF ASM,5TON,MORRIS
NS	B1398603	STEEL KEY (000158812) 4.5"

**Expanded Model Nomenclature**

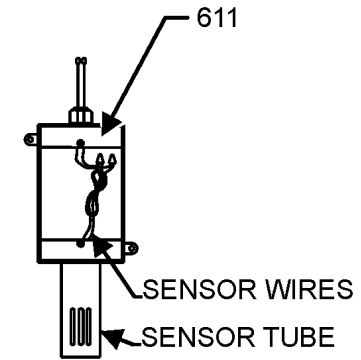
M1 - DSG0480703BHDBAA
M2 - DSG0480703BWDUAA
M3 - DSG0480703BWXAAA
M4 - DSG0480703BWXXAA
M5 - DSG0480704BVXBAA
M6 - DSG0480704BXXAAA
M7 - DSG0480704BXXBAA
M8 - DSG0480903BJXAAA
M9 - DSG0480903BWPAA
M10 - DSG0480903BWDAAA
M11 - DSG0480903BWDLAA
M12 - DSG0480903BXSXAA
M13 - DSG0480903B1DDAA
M14 - DSG0480903B2PXAA
M15 - DSG0480904BHXNAA
M16 - DSG0480904BVXDAA
M17 - DSG0480904BXSXAA
M18 - DSG0481153BBXXAA
M19 - DSG0481153BFXXAA
M20 - DSG0481153BWXDAA
M21 - DSG0481153BXXAAA
M22 - DSG0481154BFXXAA
M23 - DSG0481154BHXBAA
M24 - DSG0481154BWXBAA
M25 - DSG0481157BWDXAA

# Control Box Assembly



CONTROL BOX FOR MODELS WITH DDC CONTROL

SEE OUTDOOR AIR TEMP SENSOR DETAIL



FRONT VIEW

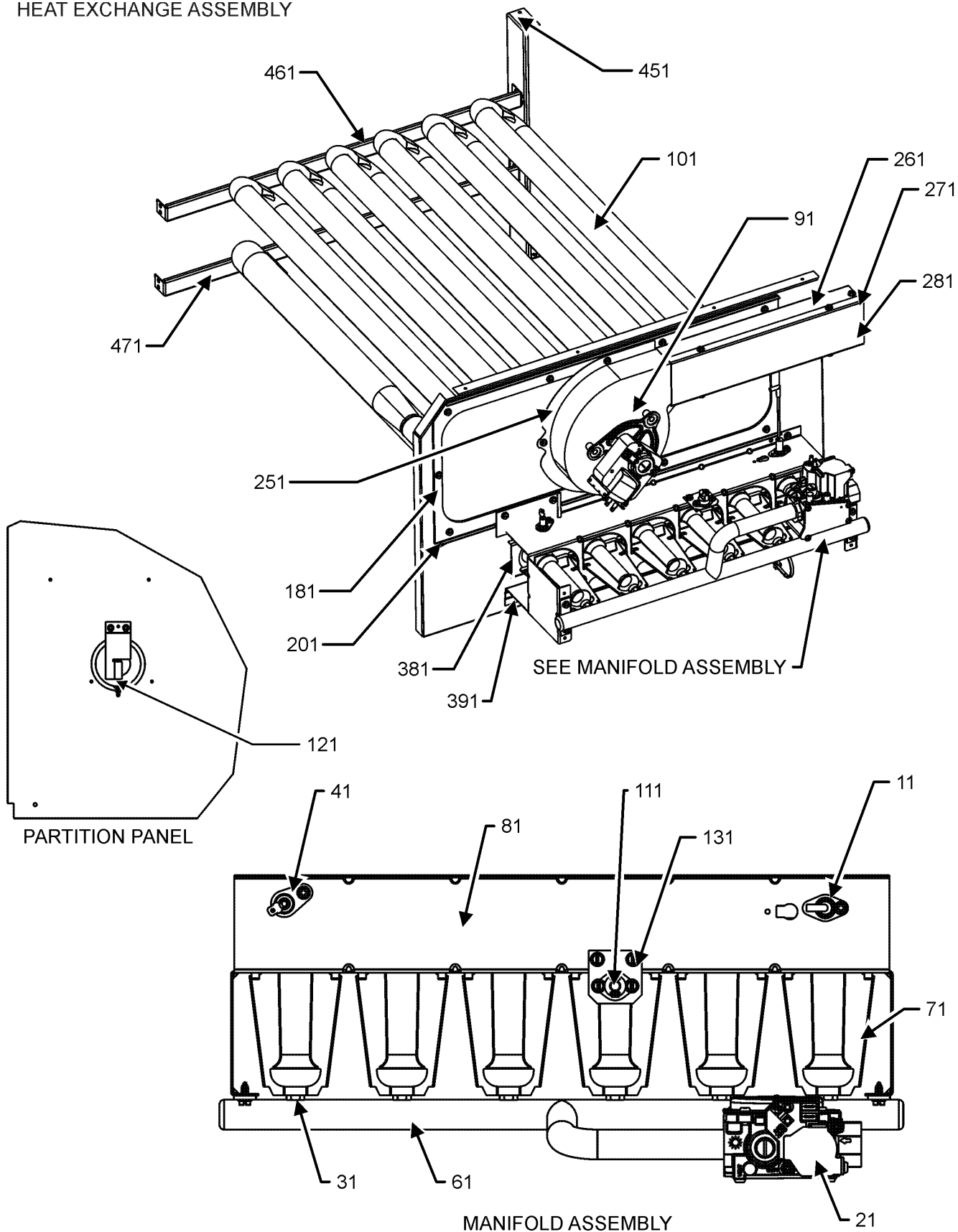
OUTDOOR AIR TEMP SENSOR DETAIL

# Control Box Assembly

Ref. Part No:	Ref. Part No:	Description:	Description:
<b>Image 1:</b>		<b>Expanded Model Nomenclature</b>	
91	CONT3P025024V	CONTACTOR 25 AMP, 3P, 24V (M5, M6, M7, M15, M16, M17, M22, M23, M24, M25)	M1 - DSG0480703BHDBAA M2 - DSG0480703BWDUAA M3 - DSG0480703BWXAAA M4 - DSG0480703BWXXAA M5 - DSG0480704BVXBAA M6 - DSG0480704BXXAAA M7 - DSG0480704BXXBAA M8 - DSG0480903BJXAAA M9 - DSG0480903BWBPA M10 - DSG0480903BWDAAA M11 - DSG0480903BWDLAA M12 - DSG0480903BXSXAA M13 - DSG0480903B1DDAA M14 - DSG0480903B2PXA M15 - DSG0480904BHXNAA M16 - DSG0480904BVXDAA M17 - DSG0480904BXSXAA M18 - DSG0481153BBXAA M19 - DSG0481153BFXAA M20 - DSG0481153BWXDAA M21 - DSG0481153BXXAAA M22 - DSG0481154BFXAA M23 - DSG0481154BHXBAA M24 - DSG0481154BWXBAA M25 - DSG0481157BWDXAA
91	CONT3P030024V	CONTACTOR 30 AMP, 3P, 24V (M1, M2, M3, M4, M8, M9, M10, M11, M12, M13, M14, M18, M19, M20, M21)	
101	CAP075000440LA	CAP 7.5 MFD/440V/OVAL (M5, M6, M7, M15, M16, M17, M23, M24)	
101	CAP050000370LA	CAP, 5 MFD/370V/OVAL (M18, M19)	
101	CAP075000370LA	CAP, 7.5 MFD/370V/OVAL (M22)	
101	CAP030000440LA	CAPACITOR (M25)	
101	CAP050000440LA	CAPACITOR 5/440V (M1, M2, M3, M4, M8, M9, M10, M11, M12, M13, M14, M20, M21)	
111	0130M00597	TRANS, 150VA, 575V TO 230V (M25)	
111	0130M00138	TRANSFORMER 208/230, 24V (M1, M2, M3, M4, M8, M9, M10, M11, M12, M13, M14, M18, M19, M20, M21)	
111	0130M00595	TRANSFORMER, 75VA, 480V TO 24V (M5, M6, M7, M15, M16, M17, M22, M23, M24)	
121	0130M00025	RELAY, SPDT	
131	PCBAG123	PCB, IGNITION, DSI	
141	0130M00038	TERMINAL BOARD	
151	0130M00596	TRANS, 150VA, 480V TO 230V (M5, M6, M7, M15, M16, M17, M22, M23, M24)	
151	0130M00598	TRANSFORMER, 75VA, 575V TO 24V (M25)	
501	PCBCG103	PCB, CONTROL, HP, GAS ,AC (M18, M19, M22)	
551	0130M00274	TERMINAL BOARD (M18, M19, M22)	
561	0130M00275	TERMINAL BOARD (M18, M19, M22)	
591	0259L00368	CURRENT SWITCH WITH TERMS (M18, M19, M22)	
611	0130L00108	OD Air Temp Sensor (M18, M19, M22)	
NS	20520901	CAPACITOR STRAP	
NS	0259L00074	CONTROL HARNESS (M1, M2, M3, M4, M8, M9, M10, M11, M12, M13, M14, M18, M19, M20, M21)	
NS	0259L00075	CONTROL HARNESS (M5, M6, M7, M15, M16, M17, M22, M23, M24, M25)	
NS	0121L01468	CONTROL, PH MON BOX (M9)	
NS	0121L01467	CONTROL, PH MON LID (M9)	
NS	0130L00112	Duct Temp Sensor (M18, M19, M22)	
NS	0259L00179	HARNESS, ECONOMIZER	
NS	0259L00054	HARNESS, WIRING	
NS	0259L00125	HARNESS, WIRING (M18, M19, M20, M21)	
NS	0130L00105	PHASE MONITOR (M9)	
NS	0130L00107	ROOM SENSOR (M18, M19, M22)	
NS	0259L00428	WIRE ASSY (M9)	
NS	0259L00090	WIRE HARNESS-SMOKE DETECTOR (M2, M9, M11, M13, M15, M16, M20)	
NS	0259L00065	WIRING HARNESS	
NS	0259L00069	WIRING HARNESS	

# Heat Exchange Assembly

## HEAT EXCHANGE ASSEMBLY



# Heat Exchange Assembly

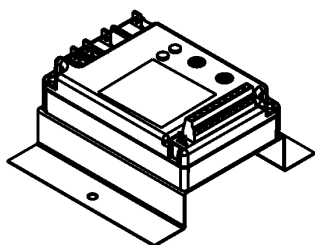
Ref. Part No:	Ref. Part No:	Description:	Description:
<b>Image 1:</b>		<b>Expanded Model Nomenclature</b>	
11	20261709	IGNITOR	M1 - DSG0480703BHDBAA
21	0151F00000P	GAS VALVE	M2 - DSG0480703BWDUAA
31	0163F00018	ORIFICE (QTY 3)	M3 - DSG0480703BWXAAA
41	0130F00010	FLAME SENSOR	M4 - DSG0480703BWXXAA
61	0163L00143	MANIFOLD, GAS 3 BURNER (M1, M2, M3, M4, M5, M6, M7)	M5 - DSG0480704BVXBAA
61	0163L00026	MANIFOLD-GAS 4 BURNER (M8, M9, M10, M11, M12, M13, M14, M15, M16, M17)	M6 - DSG0480704BXXAAA
61	0163L00029	MANIFOLD-GAS, 5 BURNER (M18, M19, M20, M21, M22, M23, M24, M25)	M7 - DSG0480704BXXBAA
71	10735102	BECKETT BURNER (QTY 3)	M8 - DSG0480903BJXAAA
81	0121L02164	BRKT-BURNER 3B FUR (M1, M2, M3, M4, M5, M6, M7)	M9 - DSG0480903BWBPA
81	20190412	BURNER BRACKET 4B (M8, M9, M10, M11, M12, M13, M14, M15, M16, M17)	M10 - DSG0480903BWDAAA
81	20190413	BURNER BRACKET 5B (M18, M19, M20, M21, M22, M23, M24, M25)	M11 - DSG0480903BWDLAA
91	0131M00121	BLOWER-ID COMBUSTION	M12 - DSG0480903BXSXAA
101	0270L00110	PART/TUBE ASSY 5B (M18, M19, M20, M21, M22, M23, M24, M25)	M13 - DSG0480903B1DDAA
101	0270L00940	PART/TUBE ASSY, 3B (M1, M2, M3, M4, M5, M6, M7)	M14 - DSG0480903B2PXAA
101	0270L00092	PART/TUBE ASSY, 4B (M8, M9, M10, M11, M13, M14, M15, M16)	M15 - DSG0480904BHXNAA
101	0270L00105	PART/TUBE ASSY, 4B (M12, M17)	M16 - DSG0480904BVXDAA
111	10123532	MANUAL RESET LIMIT 350°F	M17 - DSG0480904BXSXAA
121	11112501	PRESSURE SWITCH	M18 - DSG0481153BBXXAA
131	0121L00053	BRACKET-FLAME ROLLOUT	M19 - DSG0481153BFXXAA
181	0154L00018	GASKET-ID BLOWER PLATE 2,4 (M1, M2, M3, M4, M5, M6, M7, M8, M9, M10, M11, M12, M13, M14, M15, M16, M17)	M20 - DSG0481153BWXDAA
181	0154L00017	GASKET-ID BLOWER PLATE 6 (M18, M19, M20, M21, M22, M23, M24, M25)	M21 - DSG0481153BXXAAA
201	0121L00318	PLATE-ID BLOWER (M18, M19, M20, M21, M22, M23, M24, M25)	M22 - DSG0481154BFXXAA
201	0121L00284	PLATE-ID BLOWER 4 (M1, M2, M3, M4, M5, M6, M7, M8, M9, M10, M11, M12, M13, M14, M15, M16, M17)	M23 - DSG0481154BHXBAA
251	0154L00020	GASKET-ID BLOWER	M24 - DSG0481154BWXBAA
261	0121L00277	FLUE-CHANNEL	M25 - DSG0481157BWDXAA
271	0121L00278	FLUE-SIDE COVER	
281	0163L00072	SCREEEN-FLUE	
381	11072202	SHIELD-ORF CO FUR (M1, M2, M3, M4, M5, M6, M7)	
381	11072203	SHIELD-ORF CO FUR (M8, M9, M10, M11, M12, M13, M14, M15, M16, M17)	
381	11072204	SHIELD-ORF CO FUR (M18, M19, M20, M21, M22, M23, M24, M25)	
391	0121L00267	BRACKET-BURNER SLIDE	
451	0121L02618	BRACKET-HEAT EXCHANGER	
461	0121L01576	BRACKET-HEAT EXCHANGER	
471	0121L02617	BRACKET-HEAT EXCHANGER	

# Accessory Parts List

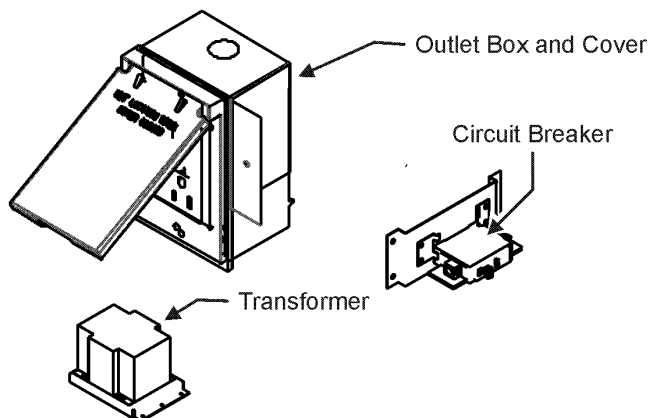
## ACCESSORY PARTS LIST

NOTE: NOT ALL OPTIONS AVAILABLE FOR ALL PRODUCTS

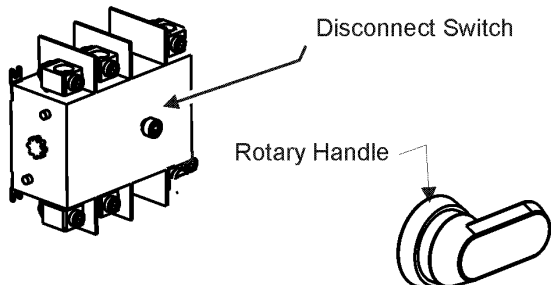
### 1 LOW AMBIENT KITS



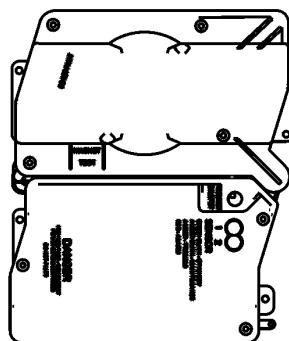
### 2 GFCI CONVENIENCE OUTLET



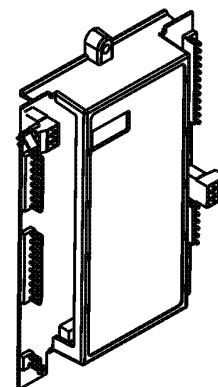
### 3 DISCONNECT MODULE (NON-FUSED)



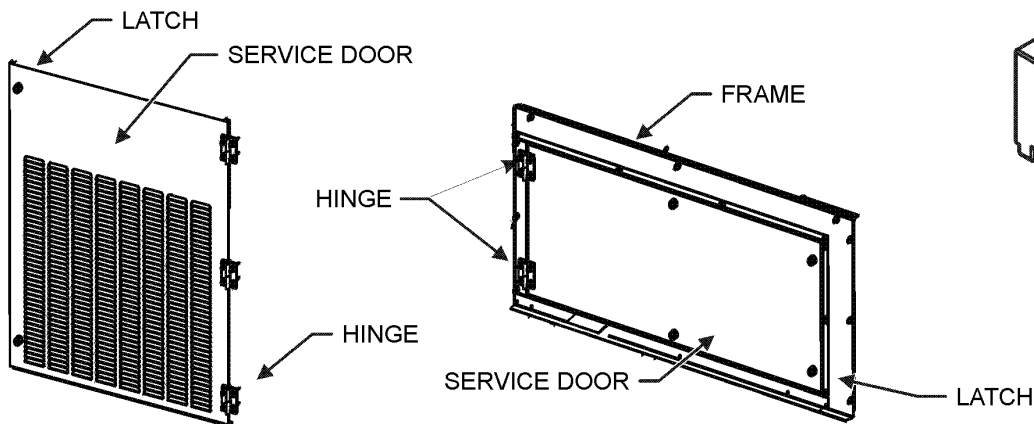
### 4 SMOKE DETECTORS



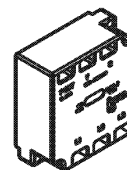
### 5 DDC CONTROL



### 6 HINGED DOOR ASSEMBLIES



### 7 PHASE MONITOR



# Accessory Parts List

Ref. Part No:	Description:	Ref. Part No:	Description:
<b>Image 1:</b>		<b>Expanded Model Nomenclature</b>	
NS 1036609C	3-6 TON DFLOW ECONOMIZER (M8)	M1 - DSG0480703BHDBAA	
NS DDNECNJ3672C	3-6 TON DFLOW ECONOMIZER (M2, M3, M4, M5, M9, M10, M11, M14, M16, M20, M24, M25)	M2 - DSG0480703BWDUAA	
NS 10366D09C	3-6 TON DFLOW ECONOMIZER, DDC (M19, M22)	M3 - DSG0480703BWXAAA	
NS 0121L01934	BRACKET SMOKE DETECTOR (M2, M9, M11, M13, M15, M16, M20)	M4 - DSG0480703BWXAAA	
NS 0121L00316	BRACKET-CONV OUTLET MOUNT (M1, M2, M3, M5, M6, M7, M8, M9, M10, M11, M15, M21, M23, M24)	M5 - DSG0480704BVBXAAA	
NS 0121L00835	BRACKET-DISCONNECT SWITCH (M1, M2, M3, M4, M8, M9, M10, M11, M13, M15, M20, M23, M24, M25)	M6 - DSG0480704BXXAAA	
NS 0130M00065	CIRCUIT BREAKER, CONVENIENCE OUTLET (M1, M5, M7, M9, M15, M23, M24)	M7 - DSG0480704BXXBAA	
NS 0121L00837NG	DISCONNECT COVER (M1, M2, M3, M4, M8, M9, M10, M11, M13, M15, M20, M23, M24, M25)	M8 - DSG0480903BJXAAA	
NS 0130L00012	GANG BOX-GFCI OUTLET (M1, M2, M3, M5, M6, M7, M8, M9, M10, M11, M15, M21, M23, M24)	M9 - DSG0480903BWBAAA	
NS 0130L00039	HANDLE, ROTARY (M1, M2, M3, M4, M8, M9, M10, M11, M13, M15, M20, M23, M24, M25)	M10 - DSG0480903BWDAAA	
NS 0163M00307	HINGE, LEFT HAND (M1, M2, M10, M11, M13, M14, M25)	M11 - DSG0480903BWDLAA	
NS 0163M00308	HINGE, RIGHT HAND (M1, M2, M10, M11, M13, M14, M25)	M12 - DSG0480903BXSAAA	
NS 0163M00360	LATCH (M1, M2, M10, M11, M13, M14, M25)	M13 - DSG0480903B1DDAA	
NS 0130M00058	LOW AMBIENT KIT (M2, M11)	M14 - DSG0480903B2PAAA	
NS 0121L02527NG	PNT, BLOWER DOOR BACK (M1, M2, M10, M11, M13, M14, M25)	M15 - DSG0480904BHXAAA	
NS 0121L02526NG	PNT, BLOWER DOOR FRONT (M1, M2, M10, M11, M13, M14, M25)	M16 - DSG0480904BVDAAA	
NS 0121L02509NG	PNT, BLOWER FRAME (M1, M2, M10, M11, M13, M14, M25)	M17 - DSG0480904BXSAAA	
NS 0121L02507NG	PNT, FILLER PLATE (M1, M2, M10, M11, M13, M14, M25)	M18 - DSG0481153BBXAAA	
NS 0161G00012	POWER OUTLET BOX (M1, M2, M3, M5, M6, M7, M8, M9, M10, M11, M15, M21, M23, M24)	M19 - DSG0481153BFXAAA	
NS 0130L00103	RECEPTACLE-GFCI OUTLET (M1, M2, M3, M5, M6, M7, M8, M9, M10, M11, M15, M21, M23, M24)	M20 - DSG0481153BWXDAA	
NS RS400	REMOTE SENSOR (M13, M14)	M21 - DSG0481153BXXAAA	
NS SP400	SENSOR PACK (M13, M14)	M22 - DSG0481154BFXAAA	
NS 0130L00042	SHAFT, CUT (M1, M2, M3, M4, M8, M9, M10, M11, M13, M15, M20, M23, M24, M25)	M23 - DSG0481154BHXAAA	
NS 0130L00049	SHAFT, DISCONNECT (M1, M2, M3, M4, M8, M9, M10, M11, M13, M15, M20, M23, M24, M25)	M24 - DSG0481154BWXBAA	
NS D4120	SMOKE DETECTOR, PHOTO 4WIRE (M2, M9, M11, M13, M15, M16, M20)	M25 - DSG0481157BWDAAA	
NS D4S	SMOKE DETECTOR, SENSOR ONLY (M11)		
NS ECP400-5	SURVEYOR ECP (M13, M14)		
NS 0130L00046	SWITCH-DISCONNECT 60A (M1, M2, M3, M4, M8, M9, M10, M11, M13, M15, M20, M23, M24, M25)		
NS 0130M00061	TRANSFORMER, CONVENIENCE OUTLET (M1, M5, M7, M9, M15, M23, M24)		