

DRY093G Package Terminal Air Conditioner

DRY093G25AXXXGA
DRY093G25CXXXGA
DRY093G25DXXXGA
DRY093G35AXXXGA
DRY093G35CXXXGA
DRY093G35QXXXGA
DRY093G35RXXXGA



Amana[®] is a registered trademark of Maytag Corporation or its related companies and is used under license. All rights reserved.

This manual is to be used by qualified technicians only.

Important Information

Index

| | |
|------------------------------|--------|
| Functional Parts List | 3 |
| Illustration and Parts | 4 - 13 |

Views shown are for parts illustrations only, not servicing procedures

Text Codes:

AR - As Required

NA - Not Available

NS - Not Shown

00000000 - See Note

QTY - Quantity Example (QTY 3) (If Quantity not shown, Quantity = 1)

M - Model Example (M1) (If M Code not shown, then part is used on all Models)

Expanded Model Nomenclature:

| |
|---|
| Example M1 - Model#1 M2 - Model#2 M3 - Model#3 |
|---|

Goodman Company, L.P. is not responsible for personal injury or property damage resulting from improper service. Review all service information before beginning repairs.

Warranty service must be performed by an authorized technician, using authorized factory parts. If service is required after the warranty expires, Goodman Company, L.P. also recommends contacting an authorized technician and using authorized factory parts.

Goodman Company, L.P. reserves the right to discontinue, or change at any time, specifications or designs without notice or without incurring obligations.

For assistance within the U.S.A. contact:

Homeowner Support
Goodman Company, L.P.
19001 Kermier Road
Waller, Texas 77484
877-254-4729-Telephone
713-863-2382-Facsimile

For assistance outside the U.S.A. contact:

International Division
Goodman Company, L.P.
19001 Kermier Road
Waller, Texas 77484
713-861-2500-Telephone
713-863-2382-Facsimile

Functional Parts

Part

No: Description:

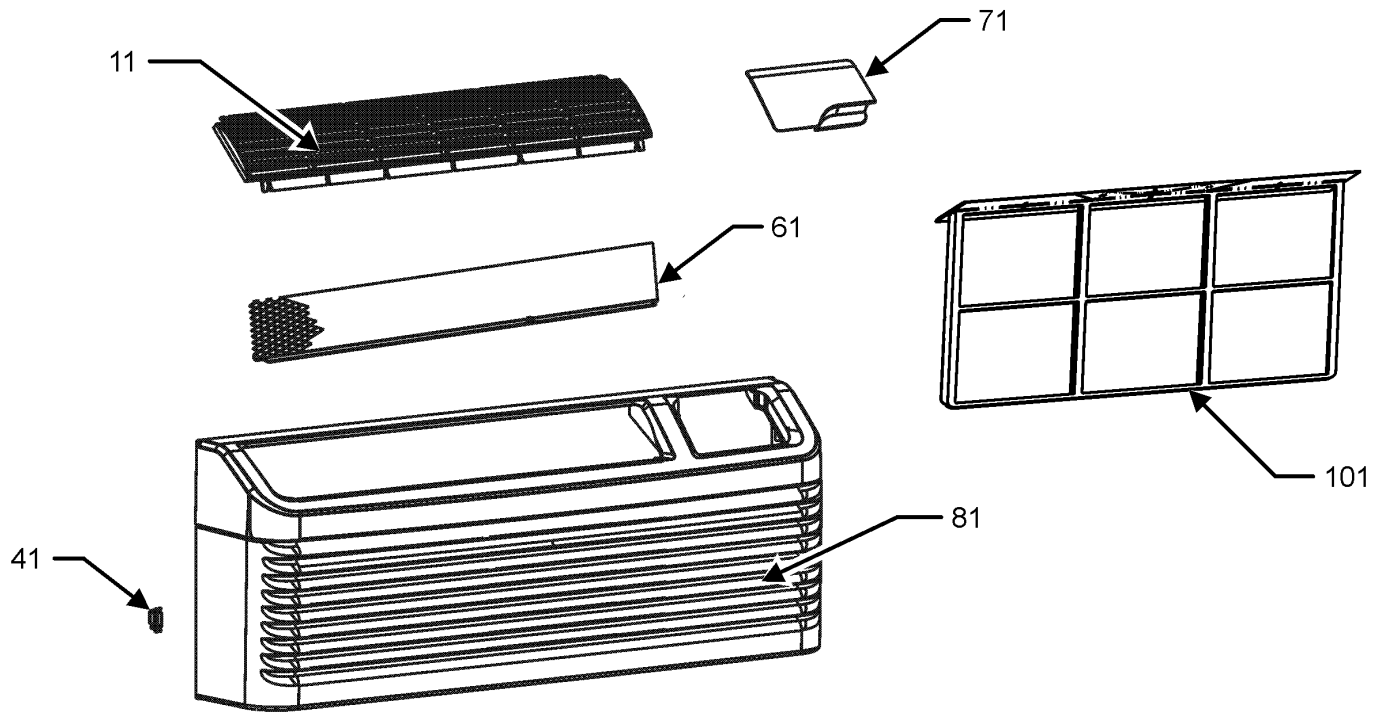
| | |
|----------------|--|
| CAP030250450CS | CAP, 3/25 MFD/450V/DUAL RD |
| CAP020000440RP | CAPACITOR 2/440V |
| 44A212AK&AEKD | COMPRESSOR, RECHI |
| RSKP0012 | CONTROL BOARD M70 |
| 0130P00112 | CORD,250VAC,15A (LCD) (M1, M2, M3) |
| 0130P00115 | CORD,250VAC,20A (LCD) (M4, M5, M6, M7) |
| 0131P00054 | FAN MOTOR, INDOOR |
| 0131P00030 | FAN MOTOR, OUTDOOR DC |
| 0161P00055 | FAN, CONDENSER |
| 0275P00038 | HEATER ASSY (M4, M5, M6, M7) |
| 0275P00019 | HEATER ASSY (M1, M2, M3) |
| 0130P00133 | HUMIDITY SENSOR (M3) |
| RSKP0015 | MEMBRANE KIT |
| 0130P00137 | MOTOR (M3) |
| 60343539 | OVERLOAD PROTECTOR |
| PCBCP147 | PCB, CONTROL, D70 (M3) |
| 0130M00169 | SWITCH, HIGH PRESS |
| 802007090 | TERM BOARD |
| 0130P00164 | THERMISTOR IAT BLACK |
| 0130P00159 | THERMISTOR ICT RED |
| 0130P00134 | THERMISTOR IDT YELLOW |
| 0130P00077 | THERMISTOR IHD ORANGE (M7) |
| 0130P00098 | THERMISTOR OAT GREEN (M3, M7) |
| 0130P00094 | THERMISTOR OCT BLUE (M7) |
| 0130M00599 | TRANSFMR,40VA,240V/208V TO 24V (M3) |
| 0130M00341 | TRANSFORMER 20VA 230V |
| PCBEP101 | VARIABLE SPEED TERMINAL BOARD |

Expanded Model Nomenclature

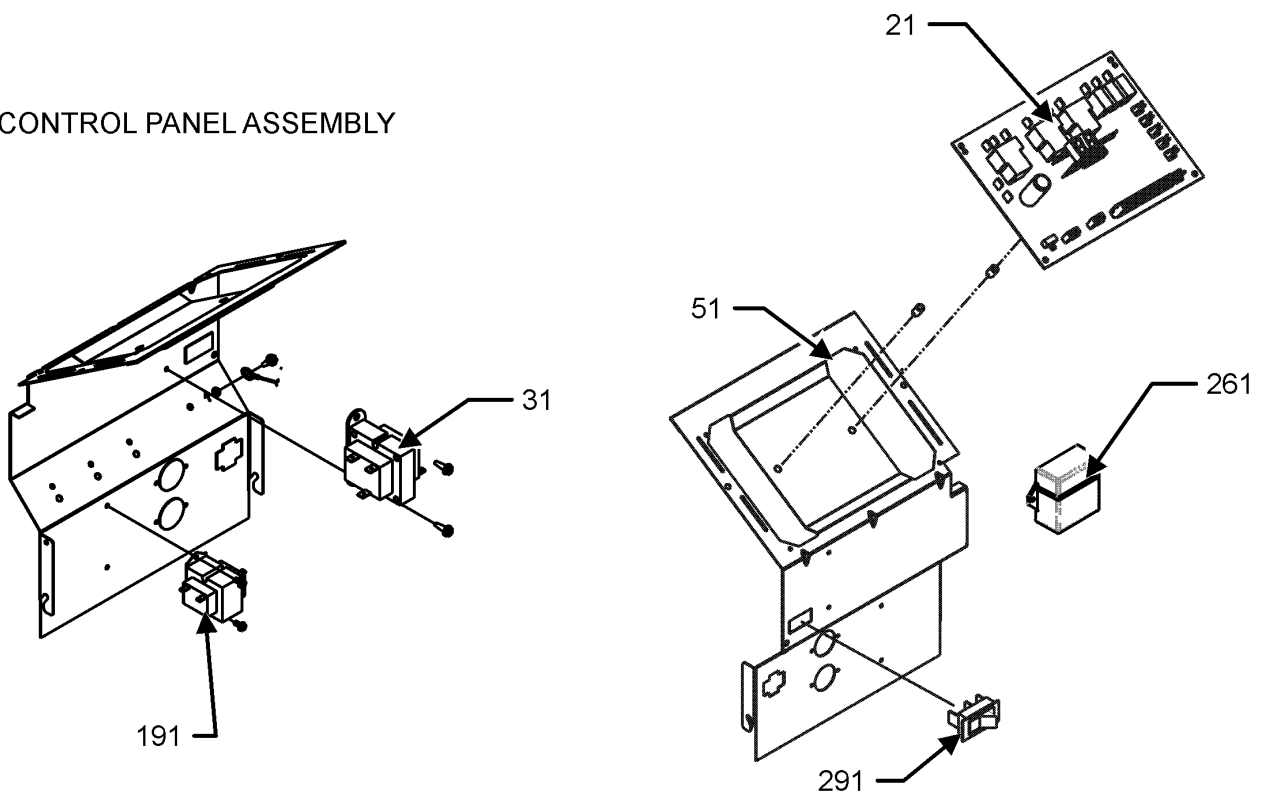
| |
|----------------------|
| M1 - DRY093G25AXXXGA |
| M2 - DRY093G25CXXXGA |
| M3 - DRY093G25DXXXGA |
| M4 - DRY093G35AXXXGA |
| M5 - DRY093G35CXXXGA |
| M6 - DRY093G35QXXXGA |
| M7 - DRY093G35RXXXGA |

Front Panel and Control Panel Assembly

FRONT PANEL ASSEMBLY



CONTROL PANEL ASSEMBLY



Front Panel and Control Panel Assembly

| Ref. Part No: | No: | Description: | Ref. Part No: | No: | Description: |
|---------------|-----|--------------|---------------|-----|--------------|
|---------------|-----|--------------|---------------|-----|--------------|

Image 1:

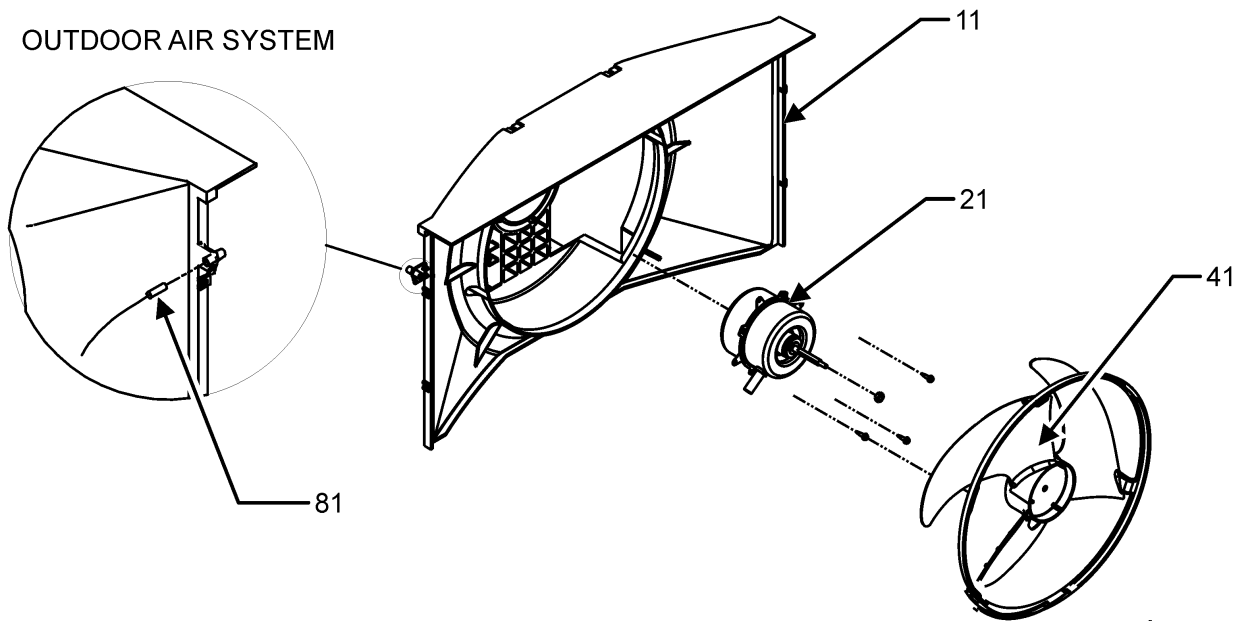
| | | |
|-----|--------------|-------------------------------------|
| 11 | 0161P00048 | FRONT-DICHARGE LOUVERS |
| 21 | RSKP0012 | CONTROL BOARD M70 |
| 31 | 0130M00341 | TRANSFORMER 20VA 230V |
| 41 | 0163P00025 | CLIP (QTY 2) |
| 51 | 0121P00130 | PANEL, CONTROL |
| 61 | 0121P00194BL | SCREEN, DISCHARGE, PAINTED |
| 71 | 0261P00003 | DOOR ASSY -AMANA- |
| 81 | 0261P00011 | FRONT ASSY |
| 101 | 0161P00035 | FILTER, RACK (QTY 2) |
| 191 | 0130M00599 | TRANSFMR,40VA,240V/208V TO 24V (M3) |
| 261 | 0130P00104 | ANTENNA (M7) |
| 291 | B1337701 | PADDLE SWITCH (M3) |
| NS | PCBCP147 | PCB, CONTROL, D70 (M3) |

Expanded Model Nomenclature

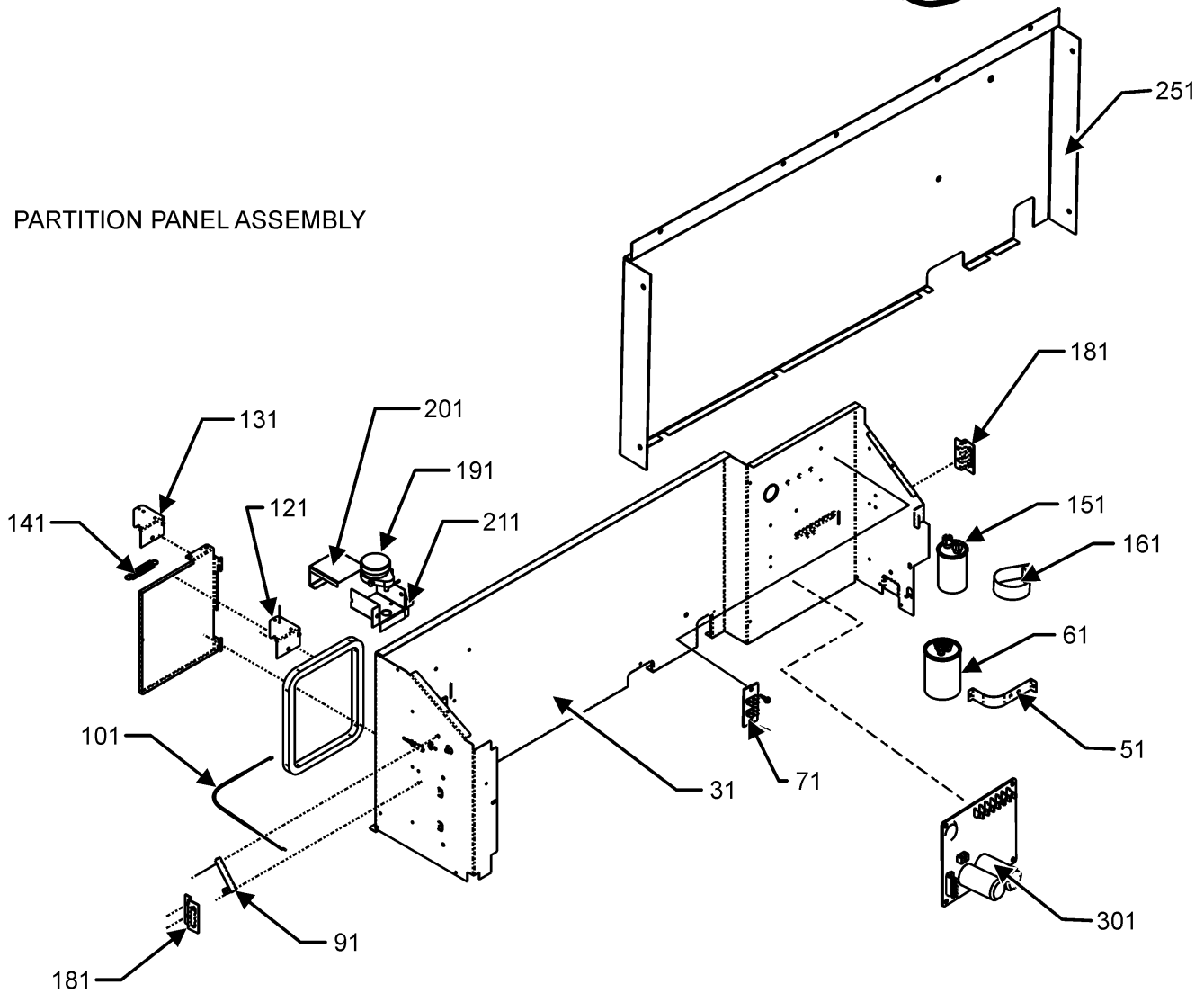
| |
|-----------------------|
| M1 - DRY093G25A XXXGA |
| M2 - DRY093G25C XXXGA |
| M3 - DRY093G25D XXXGA |
| M4 - DRY093G35A XXXGA |
| M5 - DRY093G35C XXXGA |
| M6 - DRY093G35Q XXXGA |
| M7 - DRY093G35R XXXGA |

Outdoor Air System and Partition Panel

OUTDOOR AIR SYSTEM



PARTITION PANEL ASSEMBLY



Outdoor Air System and Partition Panel

| Ref. Part No: | Ref. Part No: | Description: | Description: |
|---------------|---------------|--------------|--------------|
|---------------|---------------|--------------|--------------|

Image 1:

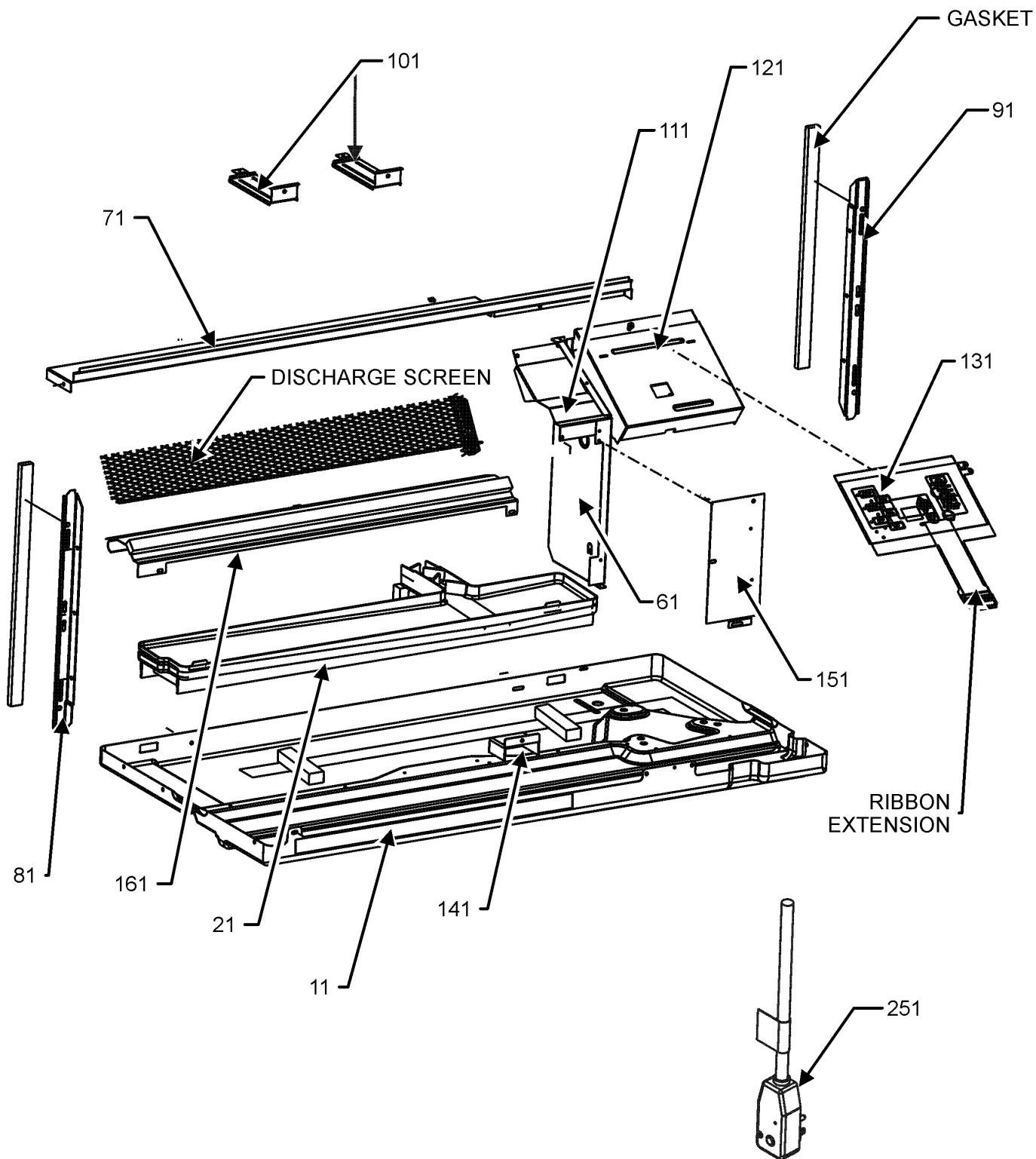
| | | |
|-----|----------------|---|
| 11 | 0161P00110 | CONDENSER SHROUD |
| 21 | 0131P00030 | FAN MOTOR, OUTDOOR DC |
| 31 | 0121P00093 | PANEL-PARTITION (M6) |
| 31 | 0121P00108NG | PANEL-PARTITION |
| 41 | 0161P00055 | FAN, CONDENSER |
| 51 | C6300502 | CAPACITOR STRAP |
| 61 | CAP030250450CS | CAP, 3/25 MFD/450V/DUAL RD |
| 71 | 802007090 | TERM BOARD |
| 81 | 0130P00098 | THERMISTOR OAT GREEN (M3, M7) |
| 91 | 11046302 | LEVER ARM (M1, M2, M4, M5, M7) |
| 101 | 0163P00019 | CABLE (M1, M2, M4, M5, M7) |
| 111 | 0121P00177NG | DOOR-VENT PTC (M1, M2, M3, M4, M5, M7) |
| 121 | 0121P00079 | BRACKET, VENT DOOR (M3) |
| 131 | 0121P00180 | BRACKET, POWER VENT (M3) |
| 131 | 0121P00072NG | BRACKET, VENT DOOR (M1, M2, M4, M5, M6, M7) |
| 141 | 11166401 | EXTENSION SPRING (M3) |
| 151 | CAP020000440RP | CAPACITOR 2/440V |
| 161 | 0163P00029 | CAPACITOR CLAMP |
| 181 | 11191703 | PARTITION PANEL BRACKET (QTY 2) |
| 191 | 0130P00137 | MOTOR (M3) |
| 201 | 11166201 | POWER VENT COVER BRACKET (M3) |
| 211 | 11166101 | POWER VENT MOTOR BRACKET (M3) |
| 251 | 0121P00091 | PANEL-AUXILLIARY (M6) |
| 301 | PCBEP101 | VARIABLE SPEED TERMINAL BOARD |
| NS | 0130P00133 | HUMIDITY SENSOR (M3) |

Expanded Model Nomenclature

| |
|-----------------------|
| M1 - DRY093G25A XXXGA |
| M2 - DRY093G25C XXXGA |
| M3 - DRY093G25D XXXGA |
| M4 - DRY093G35A XXXGA |
| M5 - DRY093G35C XXXGA |
| M6 - DRY093G35Q XXXGA |
| M7 - DRY093G35R XXXGA |

Base Pan Assembly

BASE PAN ASSEMBLY



Base Pan Assembly

| Ref. Part No: | No: | Description: | Ref. Part No: | No: | Description: |
|---------------|-----|--------------|---------------|-----|--------------|
|---------------|-----|--------------|---------------|-----|--------------|

Image 1:

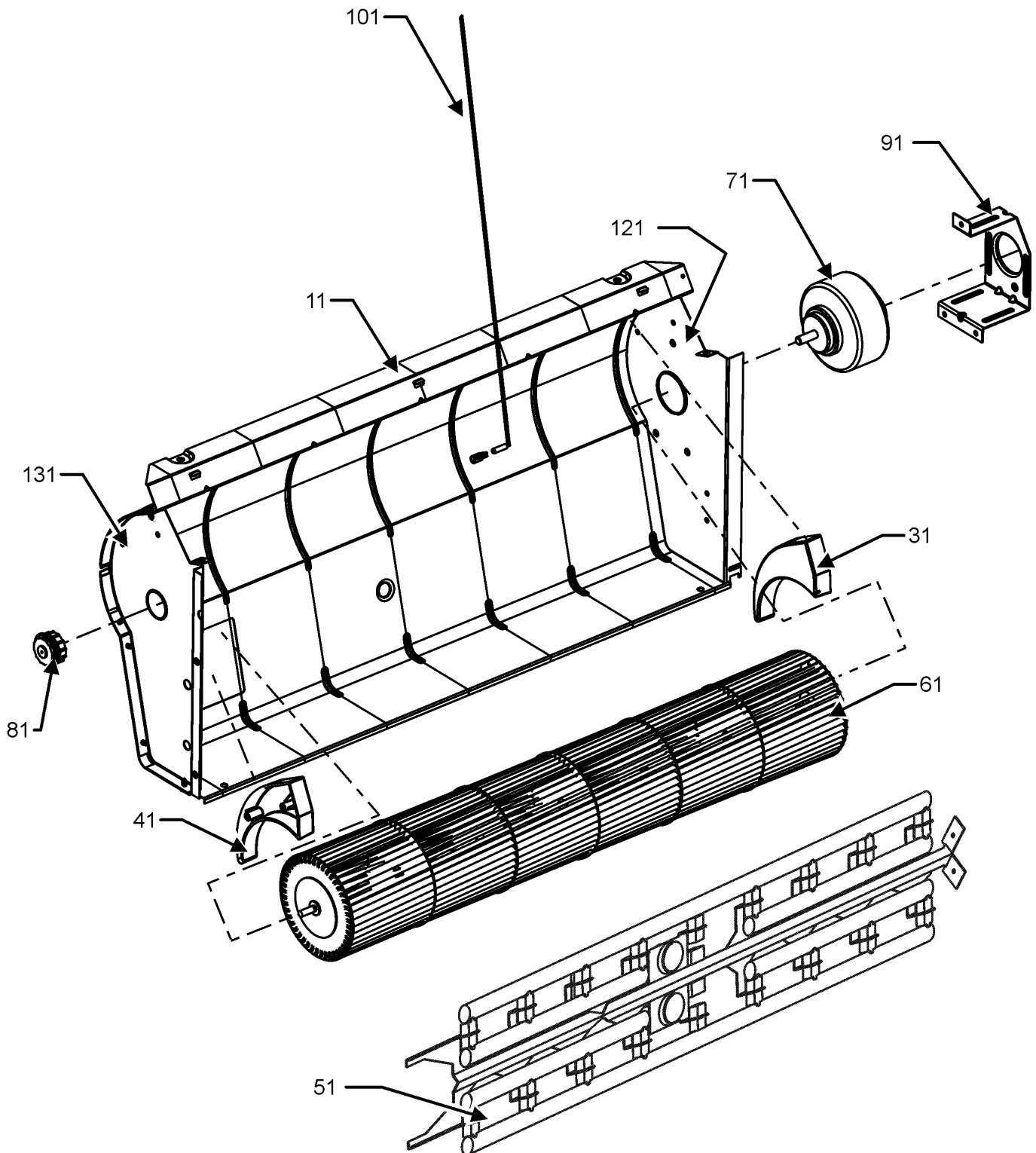
| | | |
|-----|--------------|---|
| 11 | 0121P00175DG | BASE PAN (M1, M3, M4, M6, M7) |
| 11 | 0121P00175NG | BASE PAN (M2, M5) |
| 21 | 0161P00044 | PLASTIC-DRAIN PAN |
| 61 | 0121P00278 | PANEL-MID PTN PTC |
| 71 | 0121P00063NG | TOP, PARTITION PANEL |
| 81 | 0121P00197 | SEAL-L SIDE PTC |
| 91 | 0121P00198 | SEAL-R SIDE PTC |
| 101 | 0121P00071 | BRACE, TIE (M1, M3, M4, M6, M7) |
| 111 | 0121P00070DG | COVER, MOTOR |
| 121 | 0121P00280 | COVER-CONTROL PANEL |
| 131 | RSKP0015 | MEMBRANE KIT |
| 141 | 0161P00016 | PLASTIC-HOOD (M1, M2, M3, M4, M5, M7) |
| 151 | 20410801 | ACCESS COVER |
| 161 | 0121P00061DG | CUTOFF-SCROLL DG |
| 251 | 0130P00112 | CORD,250VAC, 15A (LCD) (M1, M2, M3) |
| 251 | 0130P00115 | CORD,250VAC, 20A (LCD) (M4, M5, M6, M7) |
| NS | 0130P00109 | MEMBRANE (CONTROL) |

Expanded Model Nomenclature

| |
|-----------------------|
| M1 - DRY093G25A XXXGA |
| M2 - DRY093G25C XXXGA |
| M3 - DRY093G25D XXXGA |
| M4 - DRY093G35A XXXGA |
| M5 - DRY093G35C XXXGA |
| M6 - DRY093G35Q XXXGA |
| M7 - DRY093G35R XXXGA |

Indoor Blower Assembly

INDOOR BLOWER ASSEMBLY



Indoor Blower Assembly

Ref. Part

No: No:

Description:

Ref. Part

No: No:

Description:

Image 1:

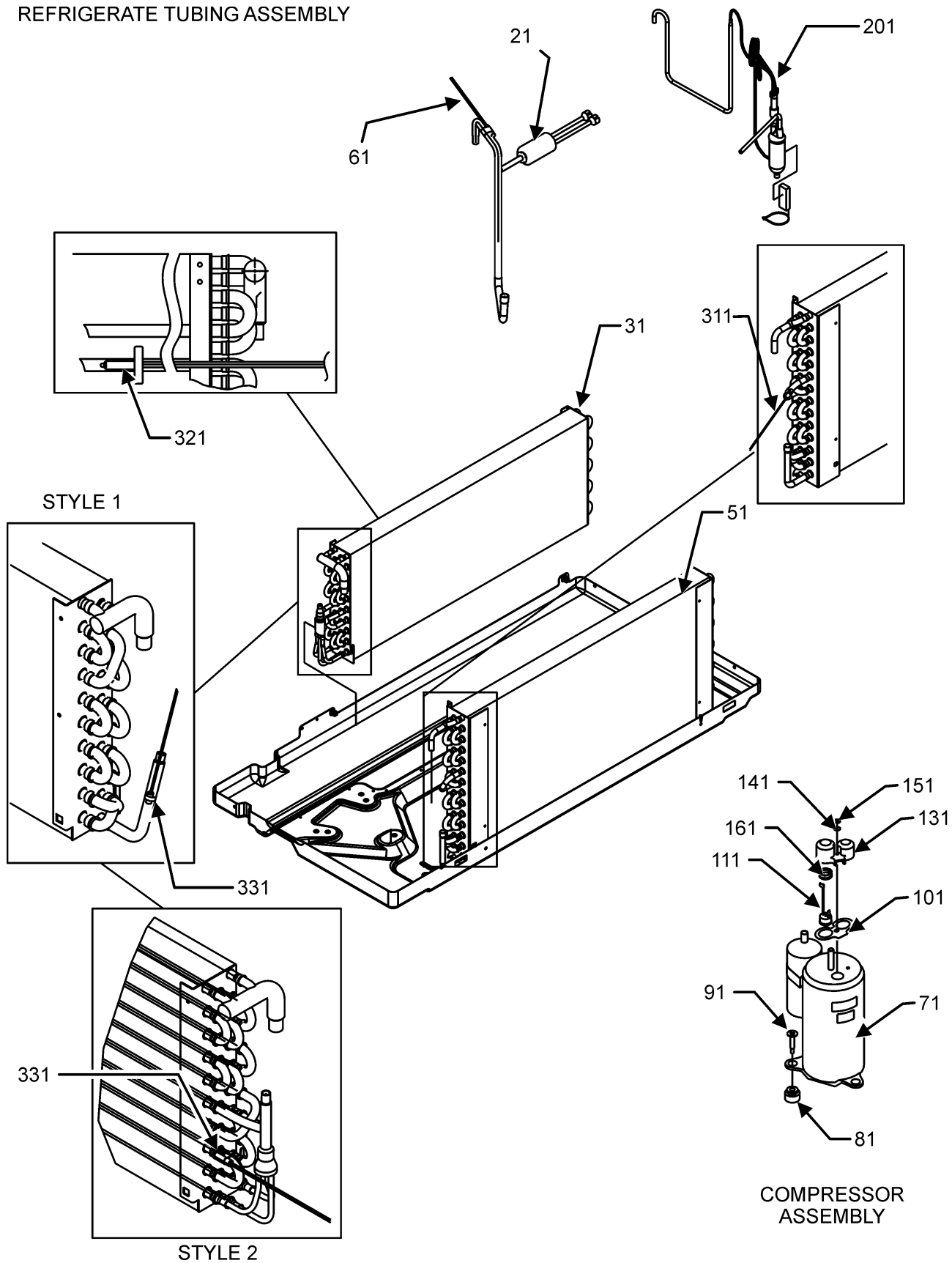
| | | |
|-----|--------------|------------------------------|
| 11 | 0121P00173DG | SCROLL |
| 31 | 0161P00021 | END CAP, RIGHT |
| 41 | 0161P00022 | END CAP, LEFT |
| 51 | 0275P00019 | HEATER ASSY (M1, M2, M3) |
| 51 | 0275P00038 | HEATER ASSY (M4, M5, M6, M7) |
| 61 | 0150P00005 | WHEEL, BLOWER |
| 71 | 0131P00054 | FAN MOTOR, IN DOOR |
| 81 | 0163P00027 | BEARING |
| 91 | 0121P00048 | BRACKET-MOTOR MOUNT |
| 101 | 0130P00134 | THERMISTOR IDT YELLOW |
| 121 | 0121P00059DG | ENDPLATE-RH SCROLL |
| 131 | 0121P00215DG | ENDPLATE- LH SCROLL |

Expanded Model Nomenclature

| |
|-----------------------|
| M1 - DRY093G25A XXXGA |
| M2 - DRY093G25C XXXGA |
| M3 - DRY093G25D XXXGA |
| M4 - DRY093G35A XXXGA |
| M5 - DRY093G35C XXXGA |
| M6 - DRY093G35Q XXXGA |
| M7 - DRY093G35R XXXGA |

Refrigerate Tube Assembly

REFRIGERATE TUBING ASSEMBLY



Refrigerate Tube Assembly

| Ref. Part No: | Ref. Part No: | Description: | Description: |
|---------------|---------------|--------------|--------------|
|---------------|---------------|--------------|--------------|

Image 1:

| | | |
|-----|---------------|--|
| 21 | 0130M00169 | SWITCH, HIGH PRESS |
| 31 | 0202P00099 | 7MM EVAP ASSY 3 ROW |
| 51 | 0201P00137NG | 5MM COND ASSY PAINTED (M2, M5) |
| 51 | 0201P00130 | 5MM CONDENSER COIL ASSY (M1, M3, M4, M6, M7) |
| 61 | 0130P00077 | THERMISTOR IHD ORANGE (M7) |
| 71 | 44A212AK&AEKD | COMPRESSOR, RECHI |
| 81 | 60130203 | GROMMET - RECHI COMPRESSOR (QTY 3) |
| 91 | 0163M00079 | SHOULDER SCREW (QTY 3) |
| 101 | 60100103 | TERMINAL GASKET |
| 111 | 60343539 | OVERLOAD PROTECTOR |
| 131 | 60100314 | TERMINAL COVER - RECHI COMP |
| 141 | 60100201 | WASHER - RECHI COMPRESSOR |
| 151 | 60100401 | TERMINAL NUT - RECHI COMP |
| 161 | 60500101 | OLP SPRING - RECHI COMPRESSOR |
| 201 | 0210P00508 | CAPILLARY ASSY |
| 311 | 0130P00094 | THERMISTOR OCT BLUE (M7) |
| 321 | 0130P00164 | THERMISTOR IAT BLACK |
| 331 | 0130P00159 | THERMISTOR ICT RED |

Expanded Model Nomenclature

| |
|-----------------------|
| M1 - DRY093G25A XXXGA |
| M2 - DRY093G25C XXXGA |
| M3 - DRY093G25D XXXGA |
| M4 - DRY093G35A XXXGA |
| M5 - DRY093G35C XXXGA |
| M6 - DRY093G35Q XXXGA |
| M7 - DRY093G35R XXXGA |