

REPAIR PARTS

DRY Package Terminal Air Conditioners

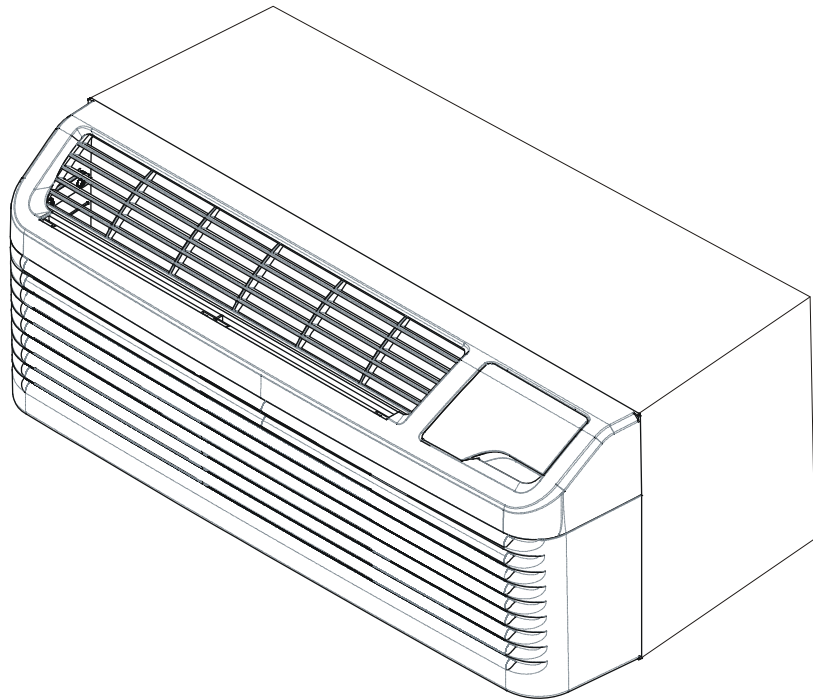
DRY093E25CXXXAB

DRY093E35AXXXAB

DRY093E35CDXXAB

DRY093E35CRXXAB

DRY093E35CXXXAB



This manual is to be used by qualified technicians only.

This manual replaces RP-639.

© 2012 Goodman Manufacturing Company, L.P. ♦ 5151 San Felipe, Suite 500 ♦ Houston, TX 77056

Important Information

Index

Functional Parts List	3
Illustration and Parts	4 - 13

Views shown are for parts illustrations only, not servicing procedures.

This system uses R410A refrigerant. If sealed system work is required, use approved equipment and follow service procedures. Refer to Service Manual or Installation Instructions for service procedures.

Text Codes:

AR - As Required

NA - Not Available

NS - Not Shown

00000000 - See Note

QTY - Quantity Example (QTY 3) (If Quantity not shown, Quantity = 1)

M - Model Example (M1) (If M Code not shown, then part is used on all Models)

Expanded Model Nomenclature:

Example M1 - Model#1 M2 - Model#2 M3 - Model#3

Goodman Manufacturing Company, L.P. is not responsible for personal injury or property damage resulting from improper service. Review all service information before beginning repairs.

Warranty service must be performed by an authorized technician, using authorized factory parts. If service is required after the warranty expires, Goodman Manufacturing Company, L.P. also recommends contacting an authorized technician and using authorized factory parts.

Goodman Manufacturing Company, L.P. reserves the right to discontinue, or change at any time, specifications or designs without notice or without incurring obligations.

For assistance within the U.S.A. contact:
Consumer Affairs Department
Goodman Manufacturing Company, L.P.
7401 Security Way
Houston, Texas 77040
877-254-4729-Telephone
713-863-2382-Facsimile

For assistance outside the U.S.A. contact:
International Division
Goodman Manufacturing Company, L.P.
7401 Security Way
Houston, Texas 77040
713-861-2500-Telephone
713-863-2382-Facsimile

Functional Parts

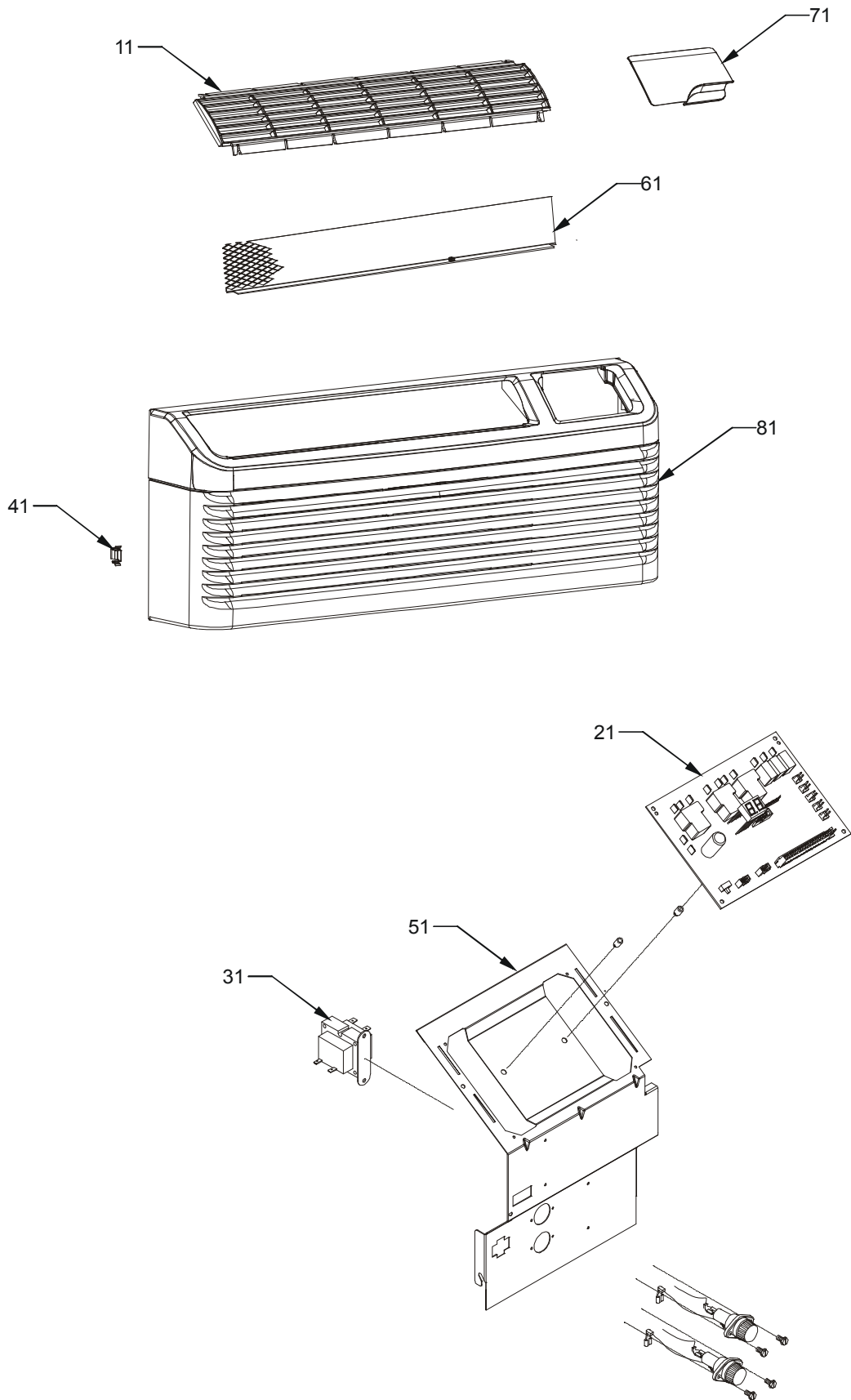
Part

No:

Description:

CAP030250450RS	CAP, 3/25 MFD/450V/DUAL RD
CAP020000440P	CAPACITOR, 440V
44A212A	COMPRESSOR, RECHI
RSKP0010	CONTROL BOARD M61
0131P00006	FAN MOTOR, INDOOR
0131P00014	FAN MOTOR, OUTDOOR
0161P00030SA	FAN, CONDENSER
0275P00019	HEATER ASSY (M1)
0275P00038	HEATER ASSY (M2, M3, M4, M5)
60343539	OVERLOAD PROTECTOR
0130M00066	SWITCH, HIGH PRESS
0130P00077	THERMISTOR (M4)
0130P00074	THERMISTOR
0130P00038	THERMISTOR-DISCHARGE
20295709	THERMISTOR-HEAT PUMP (M4)
20295707	THERMISTOR-INDOOR COIL
0130P00039	THERMISTOR-OUTDOOR AMBIENT (M4)
B1378501	TRANSFORMER (M3)
20512501	TRANSFORMER (HYDRONIC)
0150P00004	WHEEL, BLOWER

Front Assy



Front Assy

Ref. Part No: No:	Description:	Ref. Part No: No:	Description:
-------------------	--------------	-------------------	--------------

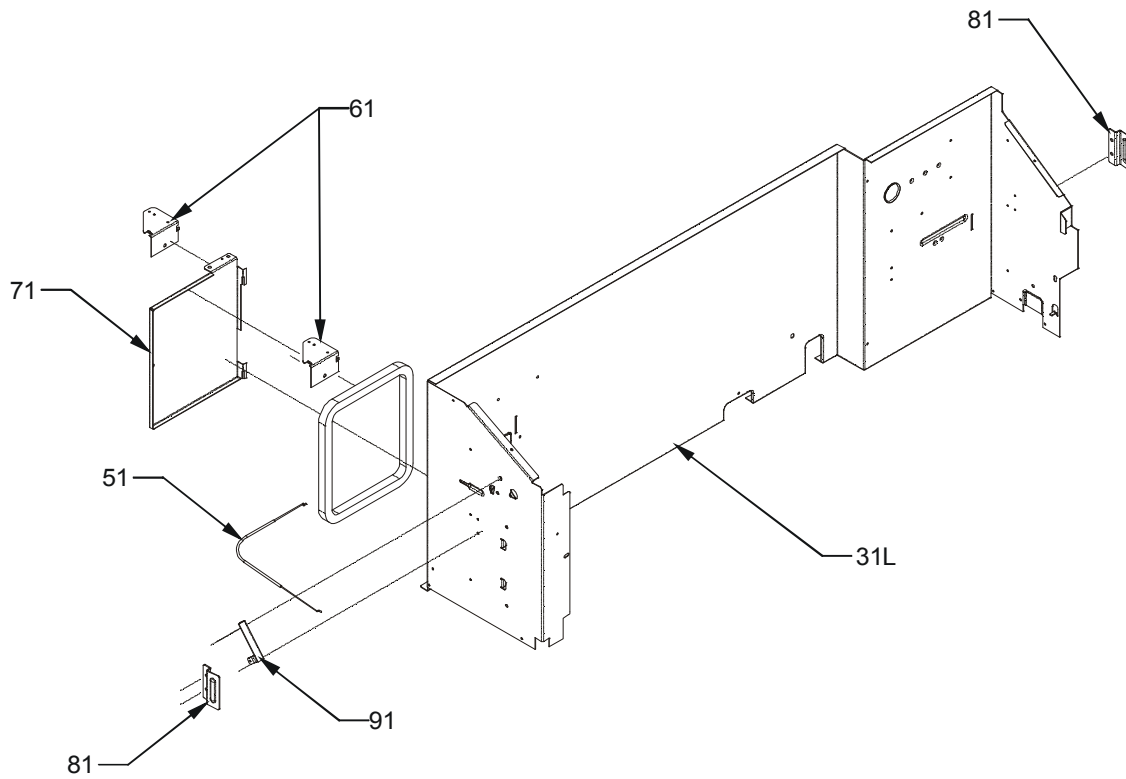
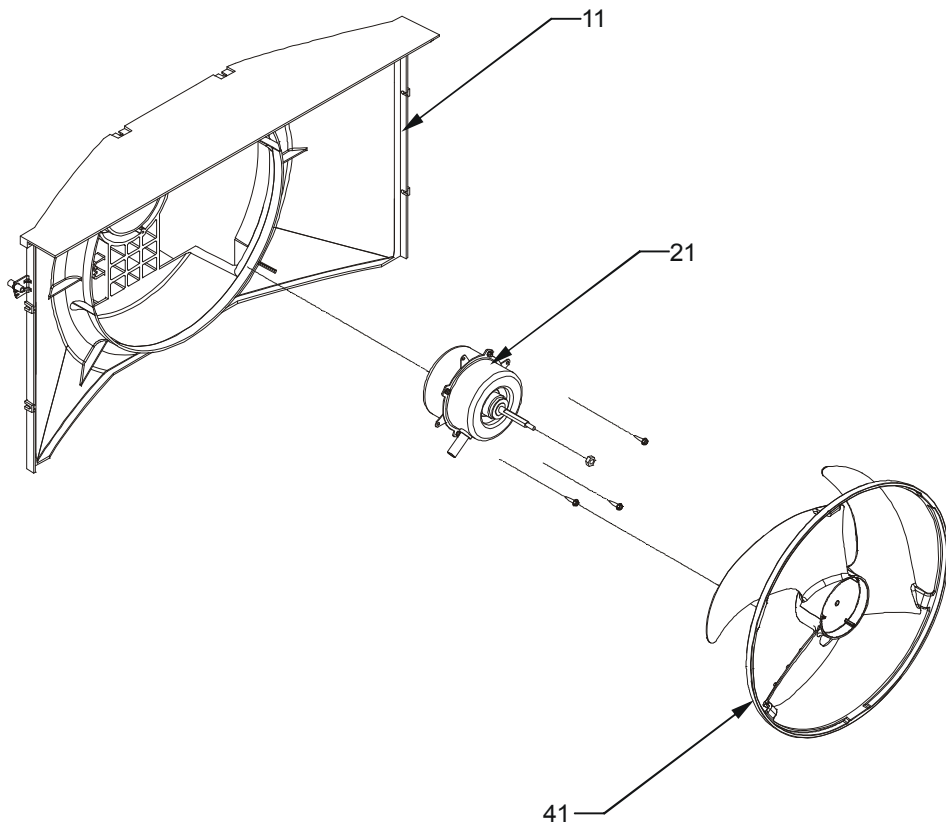
Image 1:

11	0161P00033	FRONT-DICHARGE LOUVERS
21	RSKP0010	CONTROL BOARD M61
31	B1378501	TRANSFORMER (M3)
31	20512501	TRANSFORMER (HYDRONIC)
41	0163P00025	CLIP (QTY 2)
51	0121P00001P	CONTROL PANEL COVER
61	0121P00073	SCREEN, DISCHARGE
71	0261P00003	DOOR ASSY -AMANA-
81	0261P00011	FRONT ASSY
NS	CAP030250450RS	CAP, 3/25 MFD/450V/DUAL RD
NS	0121P00087	PANEL, CONTROL

Expanded Model Nomenclature

M1 - DRY093E25CXXXAB
M2 - DRY093E35AXXXAB
M3 - DRY093E35CDXXAB
M4 - DRY093E35CRXXAB
M5 - DRY093E35CXXXAB

Chassis Control Panel



Chassis Control Panel

Ref. Part No:	No:	Description:	Ref. Part No:	No:	Description:
---------------	-----	--------------	---------------	-----	--------------

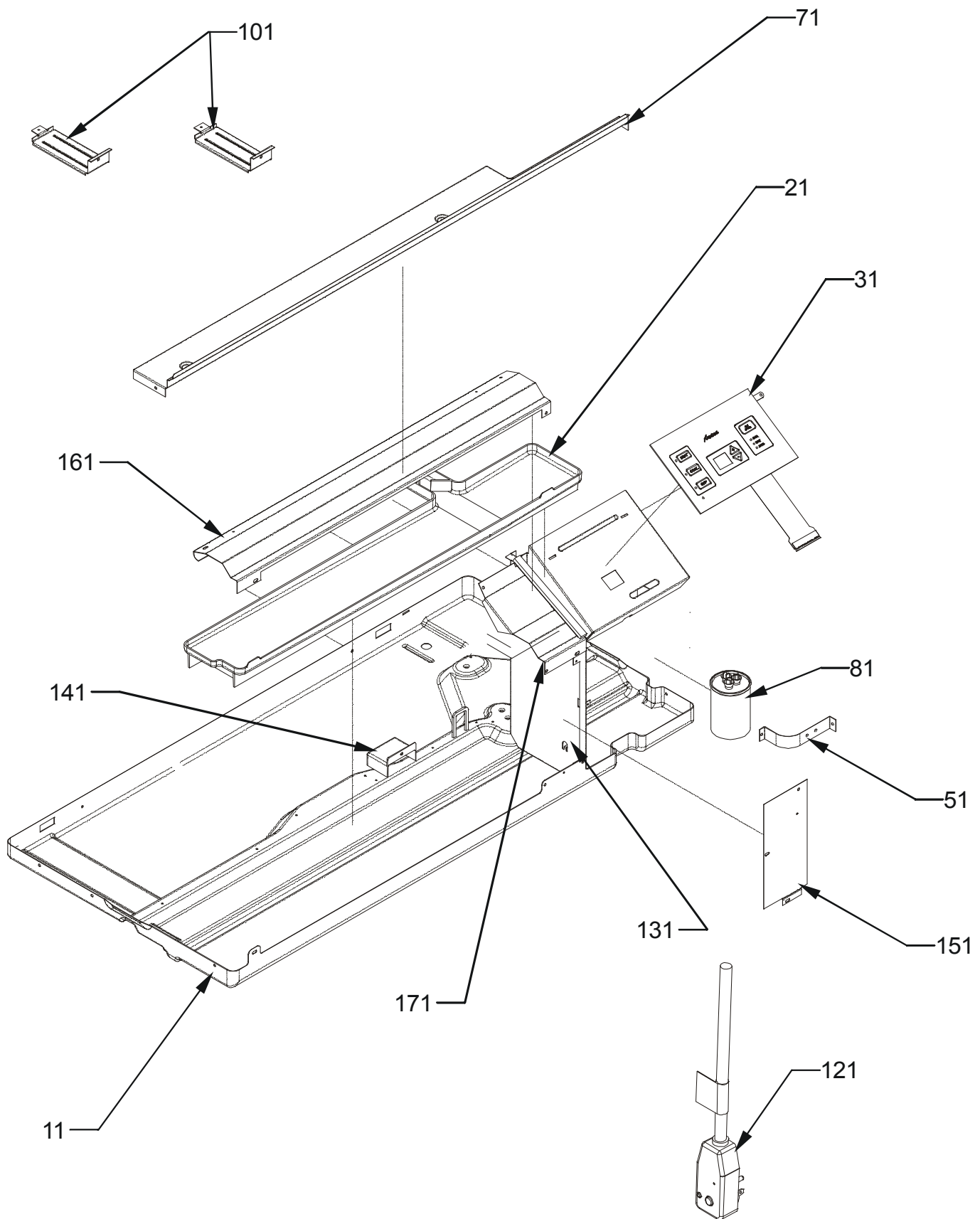
Image 1:

11	0161P00026	SHROUD, CONDENSER
21	0131P00014	FAN MOTOR, OUTDOOR
31	0121P00089DG	PANEL PARTITION
41	0161P00030SA	FAN, CONDENSER
51	0163P00019	CABLE
61	0121P00079	BRACKET, VENT DOOR (M3)
61	0121P00072DG	BRACKET, VENT DOOR-C (M1, M2, M4, M5)
71	11046105PDG	VENT DOOR
81	11191703	PARTITION PANEL BRACKET (QTY 2)
91	11046302	LEVER ARM (M1, M2, M4, M5)

Expanded Model Nomenclature

- M1 - DRY093E25CXXXAB
- M2 - DRY093E35AXXXAB
- M3 - DRY093E35CDXXAB
- M4 - DRY093E35CRXXAB
- M5 - DRY093E35CXXXAB

Partition Assy



Partition Assy

Ref. Part No: No:	Description:	Ref. Part No: No:	Description:
-------------------	--------------	-------------------	--------------

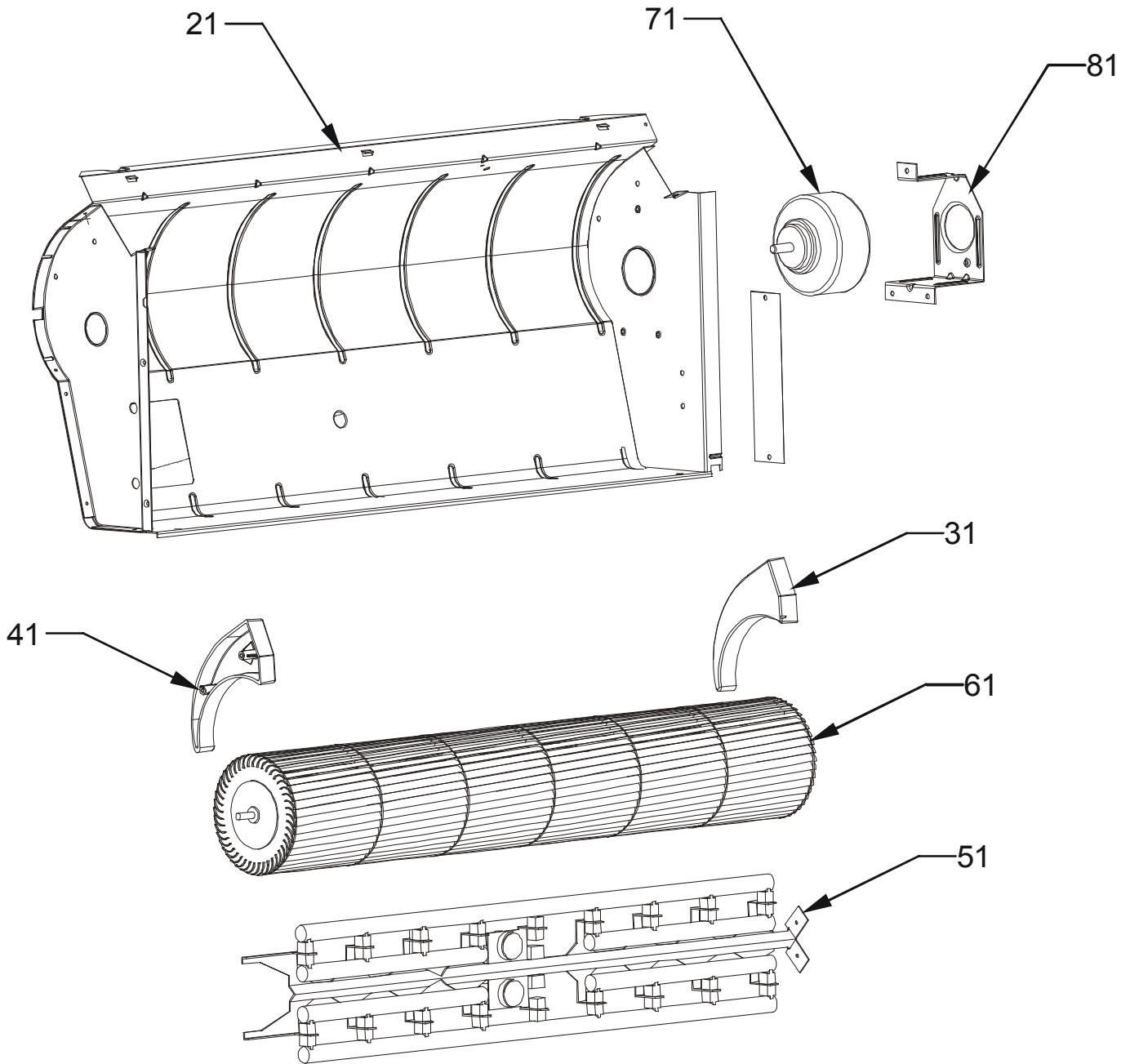
Image 1:

11	0121P00056DG	BASEPAN, PNT
21	0161P00044	PLASTIC-DRAIN PAN
31	RSKP0005	CONTROL PANEL COVER AND MEMBRANE
51	C6300502	CAPACITOR STRAP
71	0121P00063DG	TOP, PARTITION PANEL PNT
81	CAP020000440P	CAPACITOR, 440V
101	0121P00071DG	BRACE, TIE PNT (QTY 2)
121	0130P00069	CORD, 250VAC, 15A (LCD) (M1)
121	0130P00058	CORD, 250VAC, 20A (LCD) (M2, M3, M4, M5)
131	20403301	MID PARTITION PANEL
141	0161P00016	PLASTIC-HOOD
151	20410801	ACCESS COVER
161	0121P00061DG	CUTOFF-SCROLL DG
171	0121P00070DG	COVER, MOTOR PNT

Expanded Model Nomenclature

M1 - DRY093E25CXXXAB
M2 - DRY093E35AXXXAB
M3 - DRY093E35CDXXAB
M4 - DRY093E35CRXXAB
M5 - DRY093E35CXXXAB

Indoor Assy



Indoor Assy

Ref. Part No:	No:	Description:	Ref. Part No:	No:	Description:
---------------	-----	--------------	---------------	-----	--------------

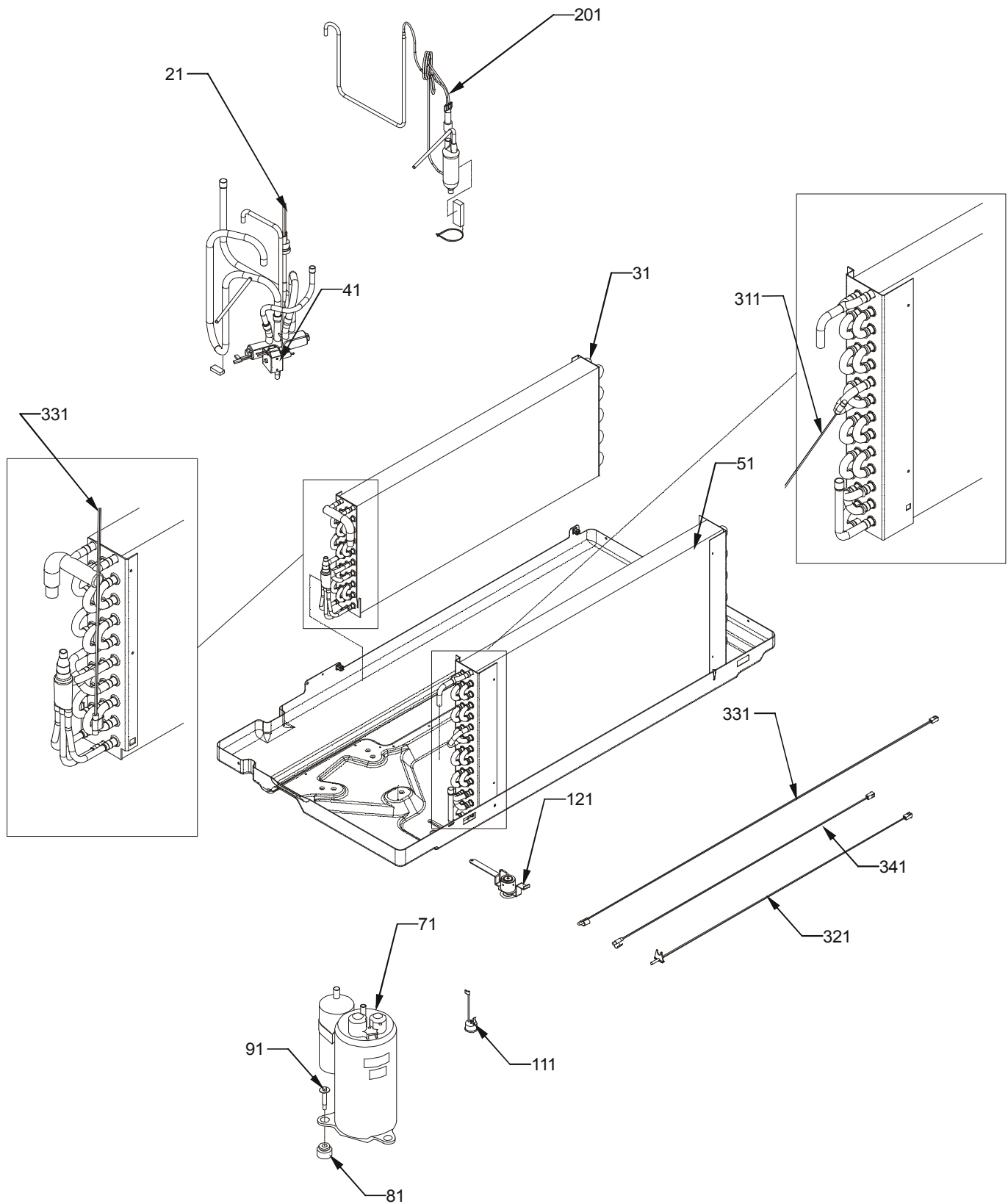
Image 1:

21	0270P01070	SCROLL ASSY
31	0161P00021	END CAP, RIGHT
41	0161P00022	END CAP, LEFT
51	0275P00019	HEATER ASSY (M1)
51	0275P00038	HEATER ASSY (M2, M3, M4, M5)
61	0150P00004	WHEEL, BLOWER
71	0131P00006	FAN MOTOR, INDOOR
81	0121P00048	BRACKET-MOTOR MOUNT
NS	0163P00027	BEARING

Expanded Model Nomenclature

M1 - DRY093E25CXXXAB
M2 - DRY093E35AXXXAB
M3 - DRY093E35CDXXAB
M4 - DRY093E35CRXXAB
M5 - DRY093E35CXXXAB

Tubing Assy



Tubing Assy

Ref. Part No:	No:	Description:	Ref. Part No:	No:	Description:
---------------	-----	--------------	---------------	-----	--------------

Image 1:

21	0130M00066	SWITCH, HIGH PRESS
31	0202P00068	EVAP ASSY, 5/16, 3 ROW
41	0210P00159	DISCHARGE WELD ASSY
51	0201P00081	COND SLAB/ASSY-5/16, 2 ROW (M2)
51	0201P00085DG	CONDENSER ASSY PNT (M1, M3, M4, M5)
71	44A212A	COMPRESSOR, RECHI
81	60130203	GROMMET - RECHI COMPRESSOR (QTY 3)
91	M0227803	SCREW-TC (QTY 3)
111	60343539	OVERLOAD PROTECTOR
311	0130P00077	THERMISTOR (M4)
311	0130P00039	THERMISTOR-OUTDOOR AMBIENT (M4)
321	0130P00074	THERMISTOR
321	20295709	THERMISTOR-HEAT PUMP (M4)
331	20295707	THERMISTOR-INDOOR COIL
341	0130P00038	THERMISTOR-DISCHARGE
NS	BT1392310	PLASTIC CLAMP, .1875 DIA

Expanded Model Nomenclature

M1 - DRY093E25CXXXAB
M2 - DRY093E35AXXXAB
M3 - DRY093E35CDXXAB
M4 - DRY093E35CRXXAB
M5 - DRY093E35CXXXAB