



# REPAIR PARTS

---

## CTS SERIES Condensing Units

CTS36-1  
CTS48-1  
CTS48-3  
CTS60-1  
CTS60-3

This manual is to be used by qualified technicians only.

© 1989-2008 Goodman Manufacturing Company, L.P. ♦ 5151 San Felipe, Suite 500 ♦ Houston, TX 77056



# Important Information

---

## Index

Functional Parts List .....	3
Illustration and Parts .....	4 - 5

*Views shown are for parts illustrations only, not servicing procedures.*

### Text Codes:

AR - As Required

NA - Not Available

NS - Not Shown

00000000 - See Note

QTY - Quantity Example (QTY 3) (If Quantity not shown, Quantity = 1)

M - Model Example (M1) (If M Code not shown, then part is used on all Models)

### Expanded Model Nomenclature:

Example M1 - Model#1 M2 - Model#2 M3 - Model#3
---

Goodman Manufacturing Company, L.P. is not responsible for personal injury or property damage resulting from improper service. Review all service information before beginning repairs.

Warranty service must be performed by an authorized technician, using authorized factory parts. If service is required after the warranty expires, Goodman Manufacturing Company, L.P. also recommends contacting an authorized technician and using authorized factory parts.

Goodman Manufacturing Company, L.P. reserves the right to discontinue, or change at any time, specifications or designs without notice or without incurring obligations.

For assistance within the U.S.A. contact:  
Consumer Affairs Department  
Goodman Manufacturing Company, L.P.  
7401 Security Way  
Houston, Texas 77040  
877-254-4729-Telephone  
713-863-2382-Facsimile

For assistance outside the U.S.A. contact:  
International Division  
Goodman Manufacturing Company, L.P.  
7401 Security Way  
Houston, Texas 77040  
713-861-2500-Telephone  
713-863-2382-Facsimile

# Functional Parts

## Part

**No:**            **Description:**

---

0130M00025S	24V RELAY (M3, M5)
CAP050350440RSS	CAPACITOR 5/35/440V (M1)
CAP050000370VAS	CAPACITOR 5/370V (M3, M5)
CAP050450440RTS	CAPACITOR 5/45/440V (M2)
CAP050550440RTS	CAPACITOR 5/55/440V (M4)
B9266250	COMPRESSOR #H23A353JPCA (M1)
B9266252	COMPRESSOR #H23A463GPDA (M3)
B9266251	COMPRESSOR #H23A463JPCA (M2)
B9266254	COMPRESSOR #H23A623GPDA (M5)
B9266253	COMPRESSOR #H23A623JPCA (M4)
0131M00007PS	COND MOTOR 1/4 HP, 1 SP, 8 PL
B1360309	CONTACTOR 25 AMP, 3/5P, 24V (M3, M5)
CONT2P040024VS	CONTACTOR 40 AMP, 2P, 24V (M1, M2, M4)
B1243731	CRANKCASE HEATER
B1360713	CUT-OUT SWITCH, HIGH PRESSURE
B1360717	CUT-OUT SWITCH, LOW PRESSURE
B1370752	HEAT RELAY 208-230, 460, 575 (M3, M5)
B1370500	LOCKOUT TIMER DELAY (M1, M2, M4)
B1370747	POTENTIAL RELAY (M1)
B1370748	POTENTIAL RELAY (M2)
B1370749	POTENTIAL RELAY (M4)
B1360308	RELAY, SPEED CHANGE (M1, M2, M4)
B1104806	START CAPACITOR 145-175/330V (M1, M2)
B94580001	START CAPACITOR 175-216/330V (M4)
B1370501	TIMER, 60 SECONDS (M3, M5)

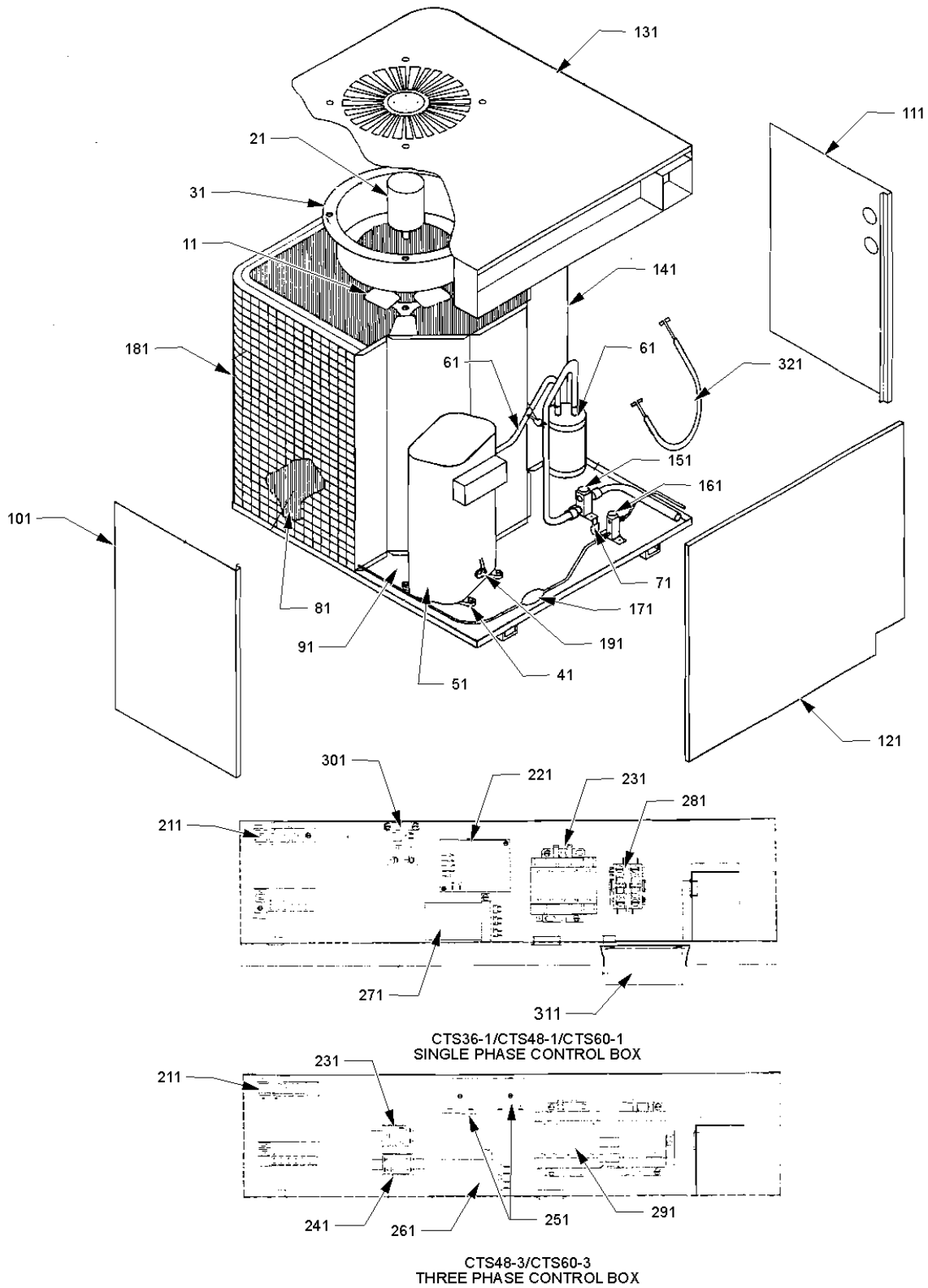
## SPECIAL PARTS

RP-125	REPAIR PARTS MANUAL
B260S8291	SPRAY PAINT (BAHAMA BEIGE)
B260S8300	SPRAY PAINT COIL (BROWN)

## Expanded Model Nomenclature

M1 - CTS36-1
M2 - CTS48-1
M3 - CTS48-3
M4 - CTS60-1
M5 - CTS60-3

# Replacement Parts List



# Replacement Parts List

Ref. Part No:	No:	Description:	Ref. Part No:	No:	Description:
<i>Image 1:</i>			Expanded Model Nomenclature		
11	B1086750S	FAN BLADE 22", 3 BLADE, 24°	M1	-	CTS36-1
21	0131M00007PS	COND MOTOR 1/4 HP, 1 SP, 8 PL	M2	-	CTS48-1
31	B1787811	VENTURI	M3	-	CTS48-3
41	B1339530	COMPRESSOR GROMMET (QTY 4)	M4	-	CTS60-1
51	B9266250	COMPRESSOR #H23A353JPCA (M1)	M5	-	CTS60-3
51	B9266252	COMPRESSOR #H23A463GPDA (M3)			
51	B9266251	COMPRESSOR #H23A463JPCA (M2)			
51	B9266254	COMPRESSOR #H23A623GPDA (M5)			
51	B9266253	COMPRESSOR #H23A623JPCA (M4)			
61	B1226207	ACCUMULATOR			
71	B1360713	CUT-OUT SWITCH, HIGH PRESSURE			
81	1262511	TUBING ASSY, COND COIL 32.5"			
91	1779107P	BOTTOM PAN ASSY			
101	1779213P	LEFT CORNER PANEL 32.5"			
111	1779214P	RIGHT CORNER PANEL 32.5"			
121	1779304P	ACCESS PANEL 32.5"			
131	1779402P	TOP PANEL-LOUVERED			
141	1779506	PARTITION PANEL 32.5"			
151	B1282543	7/8" SERVICE VALVE			
161	20163801S	3/8" SERVICE VALVE			
171	B1219220	FILTER DRIER 057114-01			
181	B1259332	INLET GRILLE 32.5"			
191	B1243731	CRANKCASE HEATER			
201	B1360717	CUT-OUT SWITCH, LOW PRESSURE			
211	B1370300	MOTOR PROTECTOR			
221	B1370500	LOCKOUT TIMER DELAY (M1, M2, M4)			
231	B1370752	HEAT RELAY 208-230, 460, 575 (M3, M5)			
231	B1360308	RELAY, SPEED CHANGE (M1, M2, M4)			
241	0130M00025S	24V RELAY (M3, M5)			
251	B1370501	TIMER, 60 SECONDS (M3, M5)			
261	CAP050000370VAS	CAPACITOR 5/370V (M3, M5)			
271	CAP050350440RSS	CAPACITOR 5/35/440V (M1)			
271	CAP050450440RTS	CAPACITOR 5/45/440V (M2)			
271	CAP050550440RTS	CAPACITOR 5/55/440V (M4)			
281	CONT2P040024VS	CONTACTOR 40 AMP, 2P, 24V (M1, M2, M4)			
291	B1360309	CONTACTOR 25 AMP, 3/5P, 24V (M3, M5)			
301	B1370747	POTENTIAL RELAY (M1)			
301	B1370748	POTENTIAL RELAY (M2)			
301	B1370749	POTENTIAL RELAY (M4)			
301	B94580001	START CAPACITOR 175-216/330V (M4)			
311	B1104806	START CAPACITOR 145-175/330V (M1, M2)			
321	1172604	SHIELDED CABLE ASSY			
NS	B260S8300	SPRAY PAINT COIL (BROWN)			