



REPAIR PARTS

CTS090/120 Condensing Units

CTS090-3B
CTS090-4B
CTS120-3B
CTS120-4B

This manual is to be used by qualified technicians only.

© 1989-2008 Goodman Manufacturing Company, L.P. ♦ 5151 San Felipe, Suite 500 ♦ Houston, TX 77056



Important Information

Index

Functional Parts List	3
Illustration and Parts	4 - 5

Views shown are for parts illustrations only, not servicing procedures.

Text Codes:

AR - As Required

NA - Not Available

NS - Not Shown

00000000 - See Note

QTY - Quantity Example (QTY 3) (If Quantity not shown, Quantity = 1)

M - Model Example (M1) (If M Code not shown, then part is used on all Models)

Expanded Model Nomenclature:

Example M1 - Model#1 M2 - Model#2 M3 - Model#3

Goodman Manufacturing Company, L.P. is not responsible for personal injury or property damage resulting from improper service. Review all service information before beginning repairs.

Warranty service must be performed by an authorized technician, using authorized factory parts. If service is required after the warranty expires, Goodman Manufacturing Company, L.P. also recommends contacting an authorized technician and using authorized factory parts.

Goodman Manufacturing Company, L.P. reserves the right to discontinue, or change at any time, specifications or designs without notice or without incurring obligations.

For assistance within the U.S.A. contact:
Consumer Affairs Department
Goodman Manufacturing Company, L.P.
7401 Security Way
Houston, Texas 77040
877-254-4729-Telephone
713-863-2382-Facsimile

For assistance outside the U.S.A. contact:
International Division
Goodman Manufacturing Company, L.P.
7401 Security Way
Houston, Texas 77040
713-861-2500-Telephone
713-863-2382-Facsimile

Functional Parts

Part

No: Description:

CAP050000370VAS	CAPACITOR 5/370V (QTY 2)
B9266243	COMPRESSOR #H2DA124DBEH* (M4)
B9266241	COMPRESSOR #H2DA124DBLH* (M2)
B9266242	COMPRESSOR #H2DA923DBEH* (M3)
B9266240	COMPRESSOR #H2DA924DBLH* (M1)
0131M00007PS	COND MOTOR 1/4 HP, 1 SP, 8 PL (M1, M2)
B13400269S	COND MOTOR 380/460 50/60 CYCLE (M3, M4)
CONT2P040024VS	CONTACTOR 40 AMP, 2P, 24V (QTY 2)
B1243733	CRANKCASE HEATER (QTY 2)
B1360713	CUT-OUT SWITCH, HIGH PRESSURE
B1360717	CUT-OUT SWITCH, LOW PRESSURE
B1370117	MILD AMBIENT CONTROL

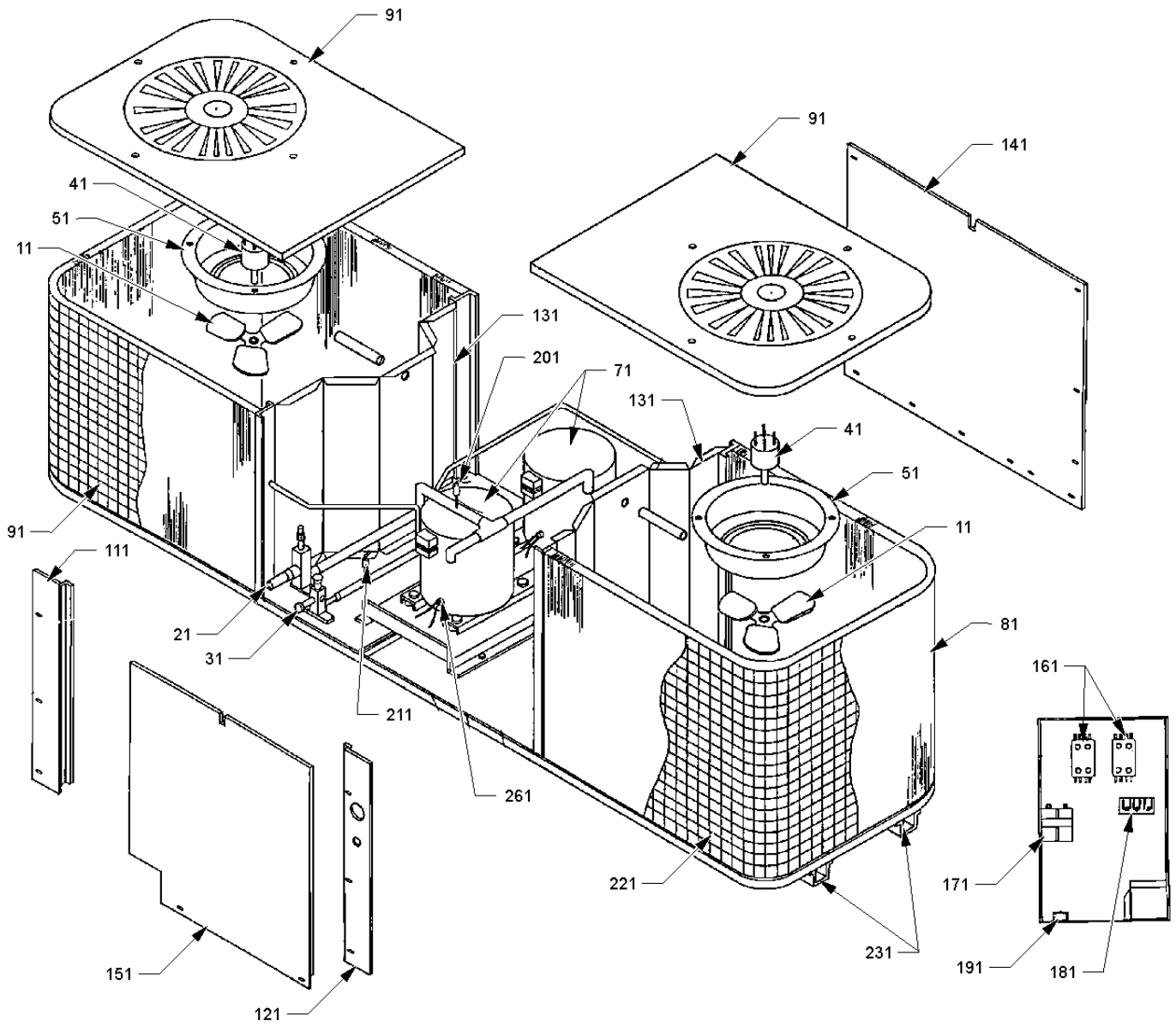
SPECIAL PARTS

RP-134	REPAIR PARTS MANUAL
B260S8291	SPRAY PAINT (BAHAMA BEIGE)

Expanded Model Nomenclature

M1 - CTS090-3B
M2 - CTS090-4B
M3 - CTS120-3B
M4 - CTS120-4B

Replacement Parts List



Replacement Parts List

Ref. Part No:	No:	Description:	Ref. Part No:	No:	Description:
<i>Image 1:</i>					
11	B1086750S	FAN BLADE 22", 3 BLADE, 24° (QTY 2)			
21	B128254S	1-1/8" SERVICE VALVE			
31	B1282573	5/8" SERVICE VALVE			
41	0131M00007PS	COND MOTOR 1/4 HP, 1 SP, 8 PL (M1, M2)			
41	B13400269S	COND MOTOR 380/460 50/60 CYCLE (M3, M4)			
51	1787811	VENTURI (QTY 2)			
71	B9266243	COMPRESSOR #H2DA124DBEH* (M4)			
71	B9266241	COMPRESSOR #H2DA124DBLH* (M2)			
71	B9266242	COMPRESSOR #H2DA923DBEH* (M3)			
71	B9266240	COMPRESSOR #H2DA924DBLH* (M1)			
81	1264808	TUBING ASSY, COND COIL 27.5" (QTY 2)			
91	1779402P	TOP PANEL-LOUVERED (QTY 2)			
101	1779106P	BOTTOM PAN (QTY 2)			
111	1723701P	PANEL, LEFT SIDE			
121	1723702P	PANEL, RIGHT SIDE			
131	1779505	PARTITION PANEL (QTY 2)			
141	1723703P	REAR PANEL			
151	1723704P	ACCESS PANEL			
161	CONT2P040024VS	CONTACTOR 40 AMP, 2P, 24V (QTY 2)			
171	CAP050000370VAS	CAPACITOR 5/370V (QTY 2)			
181	B1368254	TERMINAL BLOCK			
191	B1370117	MILD AMBIENT CONTROL			
201	B1360717	CUT-OUT SWITCH, LOW PRESSURE			
211	B1360713	CUT-OUT SWITCH, HIGH PRESSURE			
221	B1249333	INLET GRILLE (QTY 2)			
231	779705	CHANNEL, BOTTOM PAN (QTY 2)			
241	B1372801	SIGHT GLASS			
251	B1219215	FILTER DRIER			
261	B1243733	CRANKCASE HEATER (QTY 2)			

Expanded Model Nomenclature

M1 - CTS090-3B
M2 - CTS090-4B
M3 - CTS120-3B
M4 - CTS120-4B

*EACH COMPRESSOR TO USE (8) GROMMETS AND (8) SPACERS.