



# REPAIR PARTS

---

## CT\* Series Condensing Units

CT24-1B  
CT30-1B  
CT36-1B  
CT42-1B  
CT48-1B  
CT60-1C

This manual is to be used by qualified technicians only.

© 1994-2008 Goodman Manufacturing Company, L.P. ♦ 5151 San Felipe, Suite 500 ♦ Houston, TX 77056

# Important Information

---

## Index

Functional Parts List .....	3
Illustration and Parts .....	4 - 5

*Views shown are for parts illustrations only, not servicing procedures.*

### Text Codes:

AR - As Required

NA - Not Available

NS - Not Shown

00000000 - See Note

QTY - Quantity Example (QTY 3) (If Quantity not shown, Quantity = 1)

M - Model Example (M1) (If M Code not shown, then part is used on all Models)

### Expanded Model Nomenclature:

Example M1 - Model#1 M2 - Model#2 M3 - Model#3
---

Goodman Manufacturing Company, L.P. is not responsible for personal injury or property damage resulting from improper service. Review all service information before beginning repairs.

Warranty service must be performed by an authorized technician, using authorized factory parts. If service is required after the warranty expires, Goodman Manufacturing Company, L.P. also recommends contacting an authorized technician and using authorized factory parts.

Goodman Manufacturing Company, L.P. reserves the right to discontinue, or change at any time, specifications or designs without notice or without incurring obligations.

For assistance within the U.S.A. contact:  
Consumer Affairs Department  
Goodman Manufacturing Company, L.P.  
7401 Security Way  
Houston, Texas 77040  
877-254-4729-Telephone  
713-863-2382-Facsimile

For assistance outside the U.S.A. contact:  
International Division  
Goodman Manufacturing Company, L.P.  
7401 Security Way  
Houston, Texas 77040  
713-861-2500-Telephone  
713-863-2382-Facsimile

# Functional Parts

## Part

## No: Description:

---

CAP050250370RSS	CAPACITOR 5/25/370V (M1)
CAP050350370RSS	CAPACITOR 5/35/370V (M2)
CAP050400370RSS	CAPACITOR 5/40/370V (M3, M4, M5)
CAP050450370RSS	CAPACITOR 5/45/370V (M5)
CAP050600370RTS	CAPACITOR 5/60/370V (M6)
CR18K6PFV960	COMPRESSOR 18000, 208/230/60/1 (M1)
CR22K6PFV960	COMPRESSOR 22100, 208/230/60/1 (M2)
CR35K6PFV960	COMPRESSOR 35000, 208/230/60/1 (M3, M4)
CR38K6PFV960	COMPRESSOR 38200, 208/230/60/1 (M5)
ZR48K3PFV935	COMPRESSOR 49800, 208/230/60/1 (M6)
0131M00007PS	COND MOTOR 1/4 HP, 1 SP, 8 PL (M5, M6)
0131M00009PS	COND MOTOR 1/6 HP, 1 SP, 8 PL (M1, M2, M3, M4)
CONT2P025024VS	CONTACTOR 25 AMP, 2P, 24V (M1, M2, M3, M4, M5)
CONT2P030024VS	CONTACTOR 30 AMP, 2P, 24V (M2, M6)
B1141658	START ASSIST (M1, M2, M3, M4)
B1370760	TIME DELAY (M6)

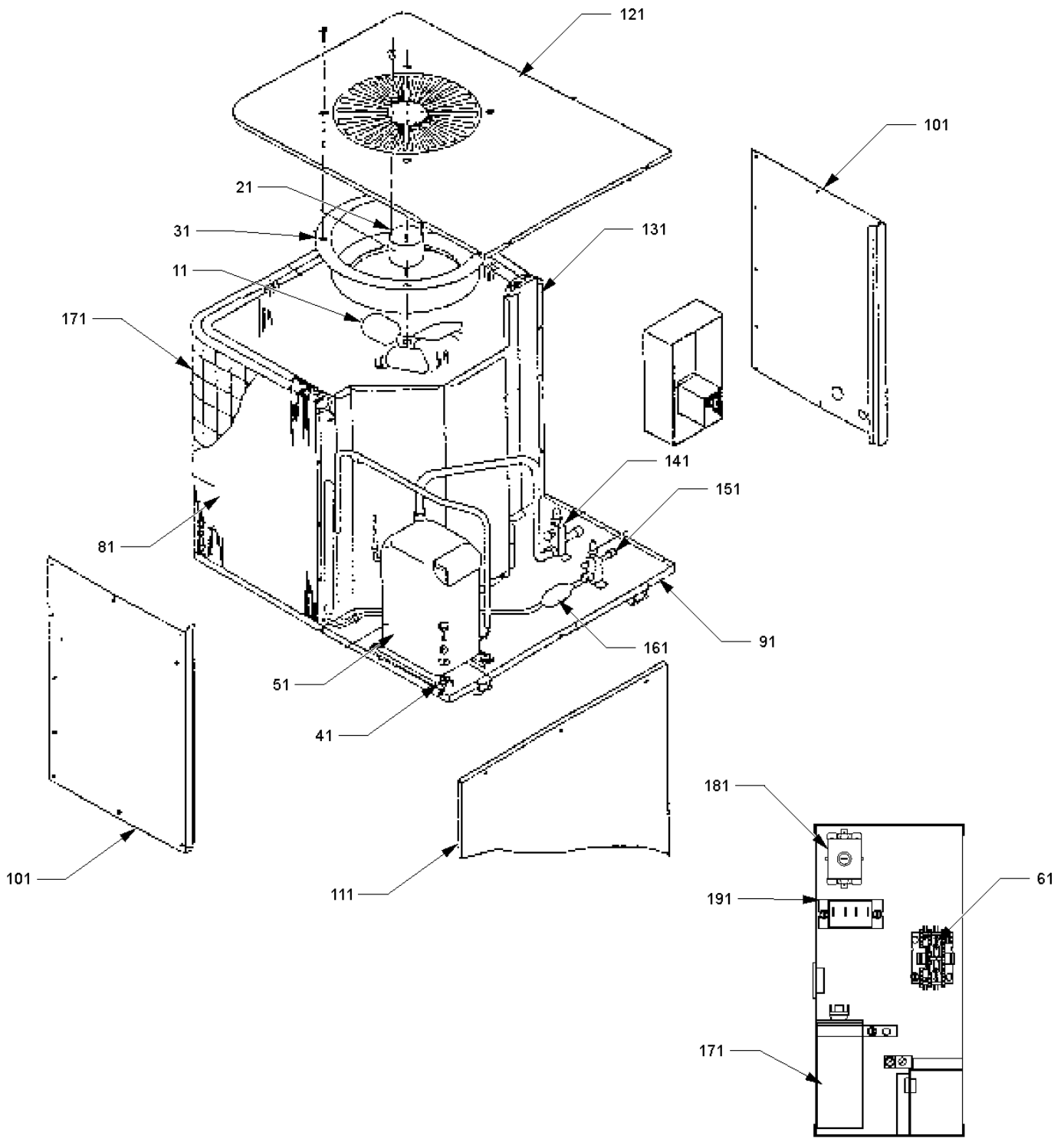
## SPECIAL PARTS

RP-181 REPAIR PARTS MANUAL

### Expanded Model Nomenclature

M1 - CT24-1B
M2 - CT30-1B
M3 - CT36-1B
M4 - CT42-1B
M5 - CT48-1B
M6 - CT60-1C

# Replacement Parts List



# Replacement Parts List

Ref. Part No:	No:	Description:	Ref. Part No:	No:	Description:
<i>Image 1:</i>					
11	B1086750S	FAN BLADE 22", 3 BLADE, 24°			
21	0131M00007PS	COND MOTOR 1/4 HP, 1 SP, 8 PL (M5, M6)			
21	0131M00009PS	COND MOTOR 1/6 HP, 1 SP, 8 PL (M1, M2, M3, M4)			
31	1787811	VENTURI			
41	B1339530	COMPRESSOR GROMMET (M1, M2)			
41	B1339533	COMPRESSOR GROMMET (M3, M4, M5, M6)			
51	CR18K6PFV960	COMPRESSOR 18000, 208/230/60/1 (M1)			
51	CR22K6PFV960	COMPRESSOR 22100, 208/230/60/1 (M2)			
51	CR35K6PFV960	COMPRESSOR 35000, 208/230/60/1 (M3, M4)			
51	CR38K6PFV960	COMPRESSOR 38200, 208/230/60/1 (M5)			
51	ZR48K3PFV935	COMPRESSOR 49800, 208/230/60/1 (M6)			
61	CONT2P025024VS	CONTACTOR 25 AMP, 2P, 24V (M1, M2, M3, M4, M5)			
61	CONT2P030024VS	CONTACTOR 30 AMP, 2P, 24V (M2, M6)			
71	CAP050250370RSS	CAPACITOR 5/25/370V (M1)			
71	CAP050350370RSS	CAPACITOR 5/35/370V (M2)			
71	CAP050400370RSS	CAPACITOR 5/40/370V (M3, M4, M5)			
71	CAP050450370RSS	CAPACITOR 5/45/370V (M5)			
71	CAP050600370RTS	CAPACITOR 5/60/370V (M6)			
81	1262312	TUBING ASSY, COND COIL (M1, M2, M3)			
81	1264916	TUBING ASSY, COND COIL (M5, M6)			
81	1264923	TUBING ASSY, COND COIL (M4)			
91	1779107P	BOTTOM PAN ASSY			
101	1779232P	SIDE PANEL 32.5" (M1, M2, M3, M4)			
101	1779240P	SIDE PANEL 40.0" (M5, M6)			
111	1779304P	ACCESS PANEL 32.5" (M1, M2, M3, M4)			
111	1779305P	ACCESS PANEL 40.0" (M5, M6)			
121	1779404P	TOP PANEL - LOUVERED			
131	1779532	PARTITION PANEL 32.5" (M1, M2, M3, M4)			
131	1779540	PARTITION PANEL 40.0" (M5, M6)			
141	B1282566	3/4" SERVICE VALVE (M1, M2)			
141	B1282543	7/8" SERVICE VALVE (M3, M4, M5, M6)			
151	20163801S	3/8" SERVICE VALVE			
161	B1219204	FILTER DRIER			
171	B1259432	INLET GRILLE (M1, M2, M3, M4)			
171	B1259440	INLET GRILLE (M5, M6)			
181	B1141658	START ASSIST (M1, M2, M3, M4)			
191	B1370760	TIME DELAY (M6)			

## Expanded Model Nomenclature

M1 - CT24-1B
M2 - CT30-1B
M3 - CT36-1B
M4 - CT42-1B
M5 - CT48-1B
M6 - CT60-1C