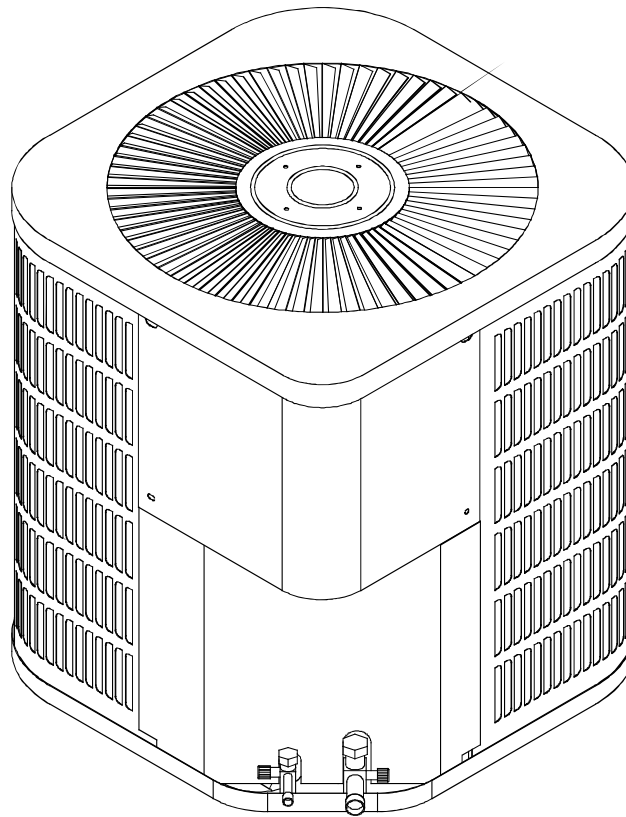




# REPAIR PARTS

## CRT\*-1PFT

CRT18-1PFT  
CRT24-1PFT  
CRT30-1PFT



Made in the USA by:  
Goodman Manufacturing Company, L.P.  
2550 North Loop West, Suite 400  
Houston Texas 77092

[www.goodmanmfg.com](http://www.goodmanmfg.com)

RP-372  
Revision 0  
November 2005

# Important Information

---

## Index

Functional Parts List .....	3
Illustration and Parts .....	4 - 9

*Views shown are for parts illustrations only, not servicing procedures*

### Text Codes:

AR - As Required

NA - Not Available

NS - Not Shown

00000000 - See Note

QTY - Quantity Example (QTY 3) (If Quantity not shown, Quantity = 1)

M - Model Example (M1) (If M Code not shown, then part is used on all Models)

### Expanded Model Nomenclature:

Example	
M1 - Model#1	P _____
M2 - Model#2	P _____
M3 - Model#3	P _____

Goodman Manufacturing Company, L.P. is not responsible for personal injury or property damage resulting from improper service. Review all service information before beginning repairs.

Warranty service must be performed by an authorized technician, using authorized factory parts. If service is required after the warranty expires, Goodman Manufacturing Company, L.P. also recommends contacting an authorized technician and using authorized factory parts.

Goodman Manufacturing Company, L.P., reserves the right to discontinue, or change at any time, specifications or designs without notice or without incurring obligations. Goodman® brand products are made proudly in the USA.

For assistance within the U.S.A. contact:  
Consumer Affairs Department  
Goodman Manufacturing Company, L.P.  
7401 Security Way  
Houston, Texas 77040  
877-254-4729-Telephone  
713-863-2382-Facsimile

For assistance outside the U.S.A. contact:  
International Division  
Goodman Manufacturing Company, L.P.  
7401 Security Way  
Houston, Texas 77040  
713-861-2500-Telephone  
713-863-2382-Facsimile

# Functional Parts

## Part

## No: Description:

---

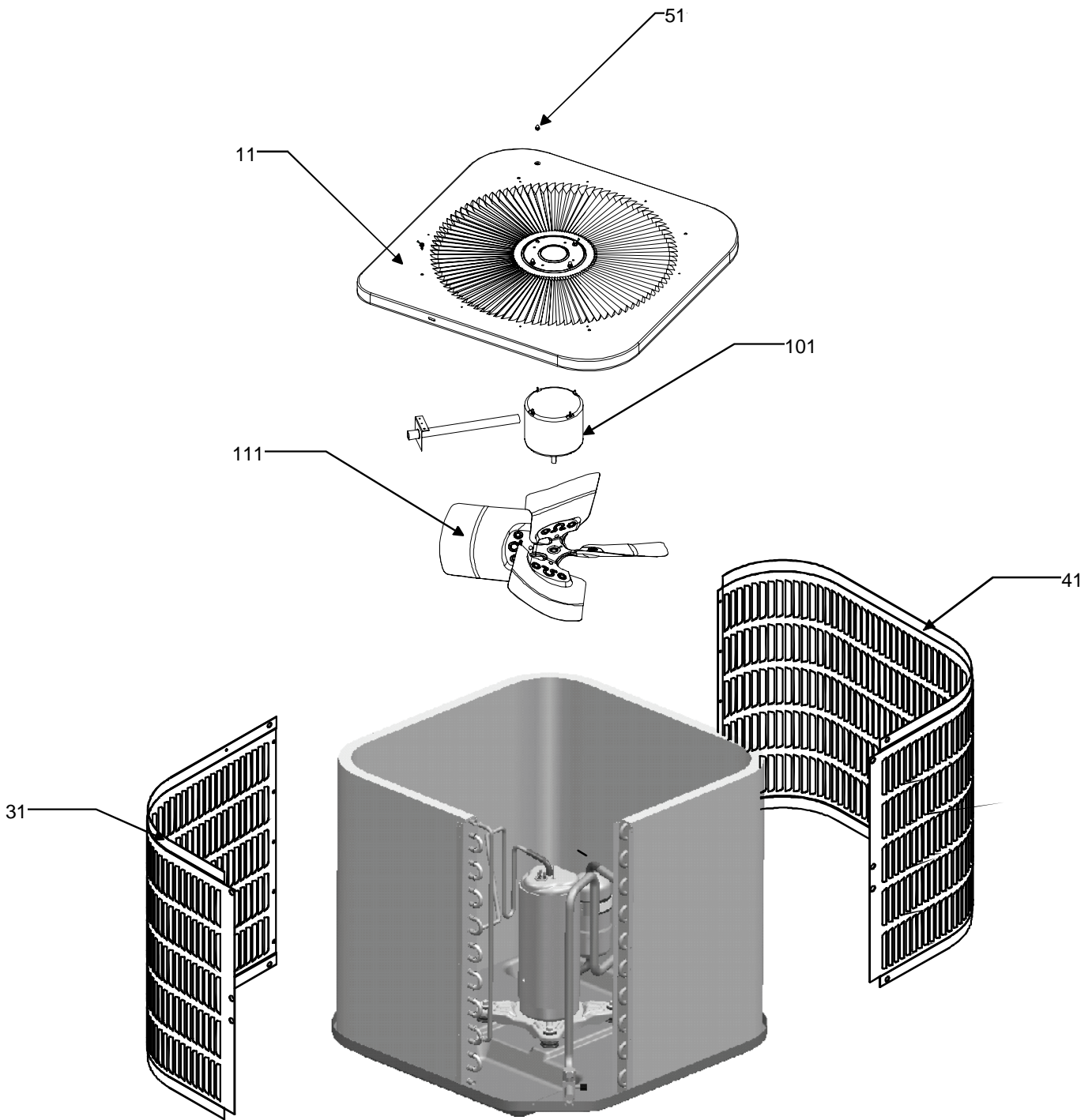
B94575300	CAPACITOR, DUAL-SECTION, 35/5/370 (M1)
B94577200	CAPACITOR, DUAL-SECTION, 45/5/370 (M2)
B94577500	CAPACITOR, DUAL-SECTION, 60/5/370 (M3)
2K22S236SUB	COMPRESSOR, PANASONIC (M1)
2J35S236B1A	COMPRESSOR, PANASONIC (M3)
2J27S236A1A	COMPRESSOR, PANASONIC (M2)
B13400348	FAN MOTOR, 208/230-60-1, 1 SPD, 830 RPM, 1/6 HP
B1219212	SINGLE-FLOW FILTER DRIER

### SPECIAL PARTS

IO-101J	INSTR, INSTL & OPER
RP-372	MANUAL, REPAIR PARTS
B1610637	PAINT, POWDER DARK GRAY

### Expanded Model Nomenclature

M1 - CRT18-1PFT
M2 - CRT24-1PFT
M3 - CRT30-1PFT



**Ref. Part  
No: No:**

**Description:**

**Ref. Part  
No: No:**

**Description:**

---

*Image 1:*

11	1779406PDG	TOP PANEL W/PAINT
31	1259560PDG	LOUVER PNL 25.0" HAIRPIN SIDE (M1)
31	1259568PDG	LOUVER PNL 27.5" HAIRPIN SIDE (M2)
31	1259569PDG	LOUVER PNL 32.5" HAIRPIN SIDE (M3)
41	1259564PDG	LOUVER PNL 25.0" RETURN SIDE (M1)
41	1259571PDG	LOUVER PNL 27.5" RETURN SIDE (M2)
41	1259572PDG	LOUVER PNL 32.5" RETURN SIDE (M3)
51	B1783803	NUT, ACORN (QTY 4)
101	B13400348	FAN MOTOR, 208/230-60-1, 1 SPD, 830 RPM, 1/6 HP
111	B1086764	FAN, 4 BLADE, 22°P, 22" DIA.
NS	B1393530	SCREW, HWH, 10X1/2, A, Y
NS	B1392826	WASHER,FLAT(.50 OD,., (QTY 4)

Expanded Model Nomenclature

M1 - CRT18-1PFT
M2 - CRT24-1PFT
M3 - CRT30-1PFT

Image 1

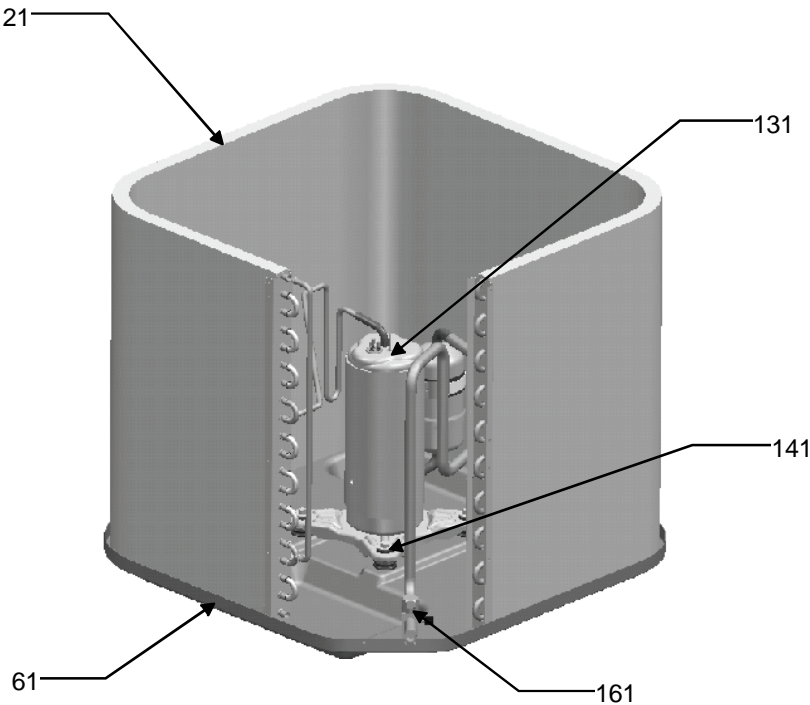
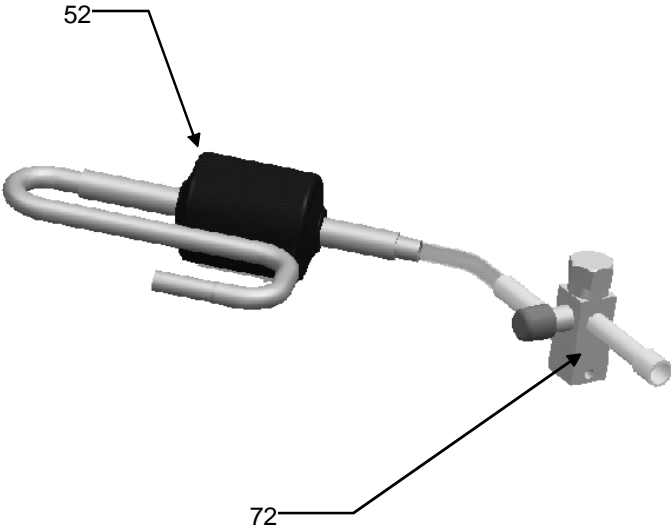


Image 2



Ref. Part No:	Part No:	Description:	Ref. Part No:	Part No:	Description:
---------------	----------	--------------	---------------	----------	--------------

*Image 1:*

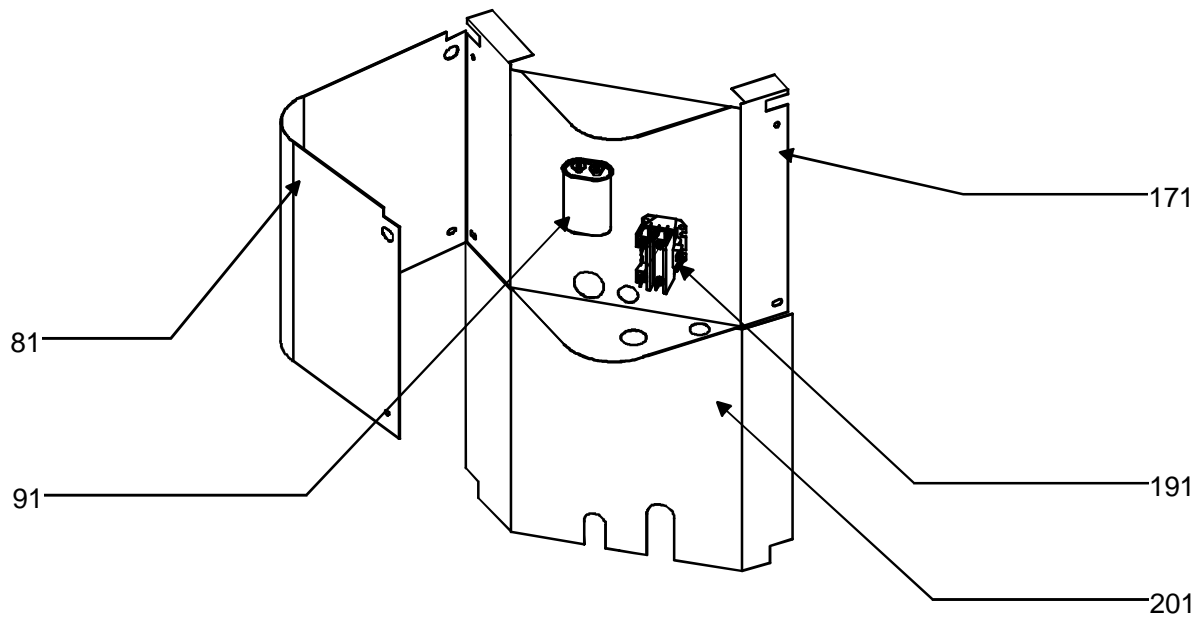
21	1262107	CRATED COND. SERVICE COIL W/DRIER (M1, M2)
21	1262109	CRATED COND. SERVICE COIL W/DRIER (M3)
61	1787212PDG	BOTTOM PAN, LARGE
131	2J27S236A1A	COMPRESSOR, PANASONIC (M2)
131	2J35S236B1A	COMPRESSOR, PANASONIC (M3)
131	2K22S236SUB	COMPRESSOR, PANASONIC (M1)
141	0164M00000P	GROMMET, COMPRESSOR, PANASONIC (QTY 4)
161	B12825166	BASE VALVE, SUCTION LINE 3/4" X 3/4"
NS	B1393736	BOLT, COMPRESSOR (QTY 4)

*Image 2:*

52	B1219212	SINGLE-FLOW FILTER DRIER
72	B12825171	BASE VALVE, LIQUID LINE 3/8" X 5/16"

Expanded Model Nomenclature

M1 - CRT18-1PFT
M2 - CRT24-1PFT
M3 - CRT30-1PFT



**Ref. Part  
No: No:**

**Description:**

**Ref. Part  
No: No:**

**Description:**

---

*Image 1:*

81	1787624PDG	CONTROL BOX COVER
91	B94575300	CAPACITOR, DUAL-SECTION, 35/5/370 (M1)
91	B94577200	CAPACITOR, DUAL-SECTION, 45/5/370 (M2)
91	B94577500	CAPACITOR, DUAL-SECTION, 60/5/370 (M3)
171	1787623	CONTROL BOX
191	B1360321	CONTACTOR, 25 AMP, 1 POLE
201	1787707PDG	ACCESS PANEL, 25.0" UNIT W/PAINT (M1)
201	1787708PDG	ACCESS PANEL, 27.5" UNIT W/PAINT (M2)
201	1787710PDG	ACCESS PANEL, 32.5" UNIT W/PAINT (M3)
NS	1411004	LOW VOLTAGE BARRIER
NS	B1378533	LUG, GROUND SMALL
NS	B1392105	STRAIN RELIEF SR 5P3
NS	1284835	STRAP
NS	B1392104	UNIVERSAL BUSHING (QTY 2)
NS	B1392135	UNIVERSAL BUSHING

Expanded Model Nomenclature

M1 - CRT18-1PFT

M2 - CRT24-1PFT

M3 - CRT30-1PFT