

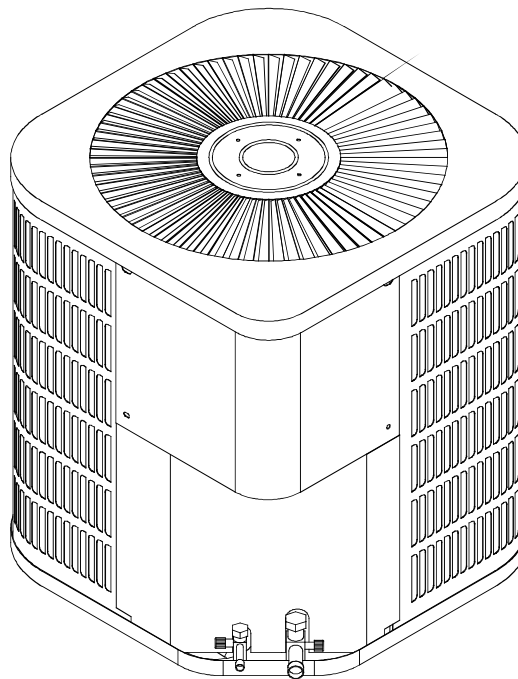
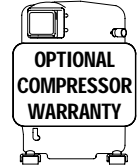


REPAIR PARTS

CPRT (24 - 60) -1 Condensing Units

This manual replaces RP-339.

CPRT24-1
CPRT30-1
CPRT36-1
CPRT42-1
CPRT48-1
CPRT60-1



Made in the USA by:
Goodman Manufacturing Company, L.P.
2550 North Loop West, Suite 400
Houston Texas 77092

RP - 339A
February 2005

Important Information

Goodman Manufacturing Company, L.P. is not responsible for personal injury or property damage resulting from improper service. Review all service information before beginning repairs.

Warranty service must be performed by an authorized technician, using authorized factory parts. If service is required after the warranty expires, Goodman Manufacturing Company, L.P. also recommends contacting an authorized technician and using authorized factory parts.

For assistance within the U.S.A. contact:
Consumer Affairs Department
Goodman Manufacturing Company, L.P.
7401 Security Way
Houston, Texas 77040
877-254-4729-Telephone
713-863-2382-Facsimile

For assistance outside the U.S.A. contact:
International Division
Goodman Manufacturing Company, L.P.
7401 Security Way
Houston, Texas 77040
713-861-2500-Telephone
713-863-2382-Facsimile

Index

Functional Parts List	5
Illustration and Parts	6 - 11

Views shown are for parts illustrations only, not servicing procedures.

RP-339A: Removed Warranty from special parts.

Text Codes:

AR - As Required

NA - Not Available

NS - Not Shown

00000000 - See Note

QTY - Quantity Example (QTY 3) (If Quantity not shown, Quantity = 1)

M - Model Example (M1) (If M Code not shown, then part is used on all Models)

Expanded Model Nomenclature:

Example M1 - Model#1 M2 - Model#2 M3 - Model#3

Functional Parts

Part

No: Description:

B1226206	ACCUMULATOR, 0750" (M1, M2)
B1226207	ACCUMULATOR, 0875" (M3, M4, M5, M6)
B94575300	CAPACITOR, DUAL-SECTION, 40/5/370 (M1)
B94577200S	CAPACITOR, DUAL-SECTION, 45/5/370 (M2, M3)
B94577400S	CAPACITOR, DUAL-SECTION, 50/5/370 (M4)
B94577500	CAPACITOR, DUAL-SECTION, 60/5/370 (M5)
B94578800	CAPACITOR, DUAL-SECTION, 60/5/440 (M6)
ZR22K4PFV930	COMPRESSOR, ZR22K4-PFV-230 (OLD PN# B9266390) (M1)
ZR28K3PFV930	COMPRESSOR, ZR28K3-PFV-230 (OLD PN# B9266369) (M2)
ZR32K3PFV930	COMPRESSOR, ZR32K3-PFV-230 (OLD PN# B9266380) (M3)
ZR36K3PFV930	COMPRESSOR, ZR36K3-PFV-230 (OLD PN# B9266375) (M4)
ZR42K3PFV930	COMPRESSOR, ZR42K3-PFV-230 (OLD PN# B9266352) (M5)
ZR48K3PFV935	COMPRESSOR, ZR48K3-PFV-235 (OLD PN# B9266379) (M6)
B1360321	CONTACTOR, 25 AMP, 1 POLE, 24V (M1, M2)
B1360324	CONTACTOR, 30 AMP, 1 POLE, 24V (M3, M4, M5)
B1360305	CONTACTOR, 40 AMP, 2 POLE, 24V (M6)
1262232	CRATED SERVICE COIL W/FILTER DRIER (M6)
1262215	CRATED SERVICE COIL W/FILTER DRIER (M3)
1262231	CRATED SERVICE COIL W/FILTER DRIER (M5)
1262218	CRATED SERVICE COIL W/FILTER DRIER (M1)
1262222	CRATED SERVICE COIL W/FILTER DRIER (M4)
1262213	CRATED SERVICE COIL W/FILTER DRIER (M2)
B1370803	DEFROST THERMOSTAT
B1226008S	DEFROST TIMER
B1219204	DRIER, BI-FLOW, STEEL
B13400271	FAN MOTOR, 1/4 HP, 1 SPD, 830 RPM (M5, M6)
B13400270	FAN MOTOR, 1/4 HP, 1 SPD, 830 RPM (M3, M4)
B13400348	FAN MOTOR, 1/6 HP, 1 SPD, 840 RPM (M1, M2)
B1086764S	FAN, 4 BLADE, 22° PITCH, 22 DIAMETER (M1, M2)
B1086769	FAN, 4 BLADE, 22° PITCH, 26 DIAMETER (M5, M6)
B1086765S	FAN, 4 BLADE, 28° PITCH, 22 DIAMETER (M3, M4)
B1360719	LOW PRESSURE SWITCH
B1227315S	REVERSING VALVE W/SOLENOID (M1)
B1227316S	REVERSING VALVE W/SOLENOID (M2)
B1227317S	REVERSING VALVE W/SOLENOID (M3, M4, M5, M6)

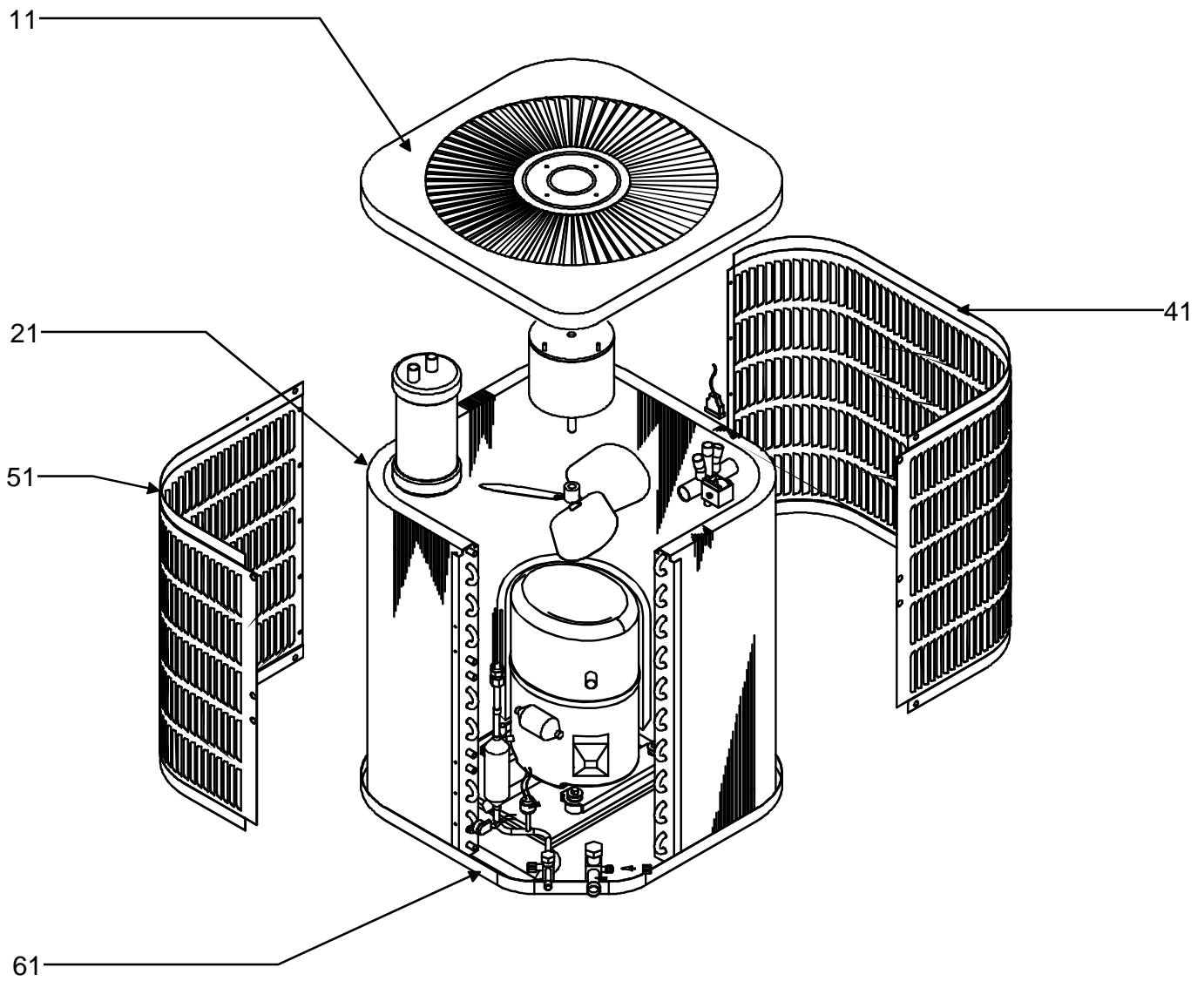
SPECIAL PARTS

IO-101	MANUAL - INSTALLATION AND OPERATINGINSTRUCTIONS
RP-339	MANUAL - REPAIR PARTS
SS-388D	SPECIFICATION SHEET/PRODUCT DATA BULLETIN

Expanded Model Nomenclature

M1 - CPRT24-1
M2 - CPRT30-1
M3 - CPRT36-1
M4 - CPRT42-1
M5 - CPRT48-1
M6 - CPRT60-1

Chassis



Chassis

Ref. Part No:	No:	Description:	Ref. Part No:	No:	Description:
---------------	-----	--------------	---------------	-----	--------------

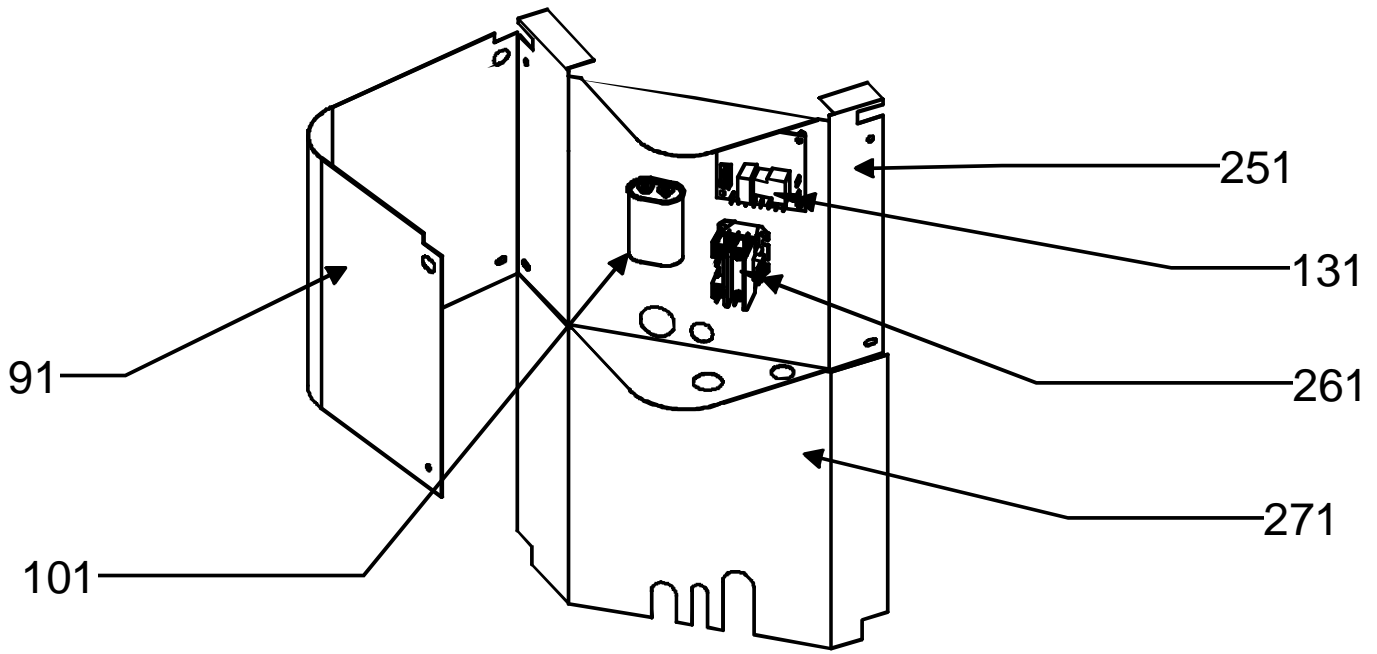
Image 1:

11	1779406PDG	TOP PANEL, LOUVERED (M1, M2)
11	1779415PDG	TOP PANEL, LOUVERED (M3, M4)
11	4279400PDG	TOP PANEL, NON LOUVERED (M5, M6)
21	1262213	CRATED SERVICE COIL W/FILTER DRIER (M2)
21	1262215	CRATED SERVICE COIL W/FILTER DRIER (M3)
21	1262218	CRATED SERVICE COIL W/FILTER DRIER (M1)
21	1262222	CRATED SERVICE COIL W/FILTER DRIER (M4)
21	1262231	CRATED SERVICE COIL W/FILTER DRIER (M5)
21	1262232	CRATED SERVICE COIL W/FILTER DRIER (M6)
41	1259560PDG	LOUVER PANEL, 25.0", HAIRPIN SIDE (M2)
41	1259568PDG	LOUVER PANEL, 27.5", HAIRPIN SIDE (M3)
41	1259561PDG	LOUVER PANEL, 30.0", HAIRPIN SIDE (M1, M4)
41	4203410PDG	LOUVER PANEL, 30.0", HAIRPIN SIDE (M5)
41	4203414PDG	LOUVER PANEL, 35.0", HAIRPIN SIDE (M6)
51	1259564PDG	LOUVER PANEL, 25.0", RETURN SIDE (M2)
51	1259571PDG	LOUVER PANEL, 27.5", RETURN SIDE (M3)
51	1259565PDG	LOUVER PANEL, 30.0", RETURN SIDE (M1, M4)
51	4203411PDG	LOUVER PANEL, 30.0", RETURN SIDE (M5)
51	4203415PDG	LOUVER PANEL, 35.0", RETURN SIDE (M6)
61	1787212PDG	BOTTOM/BASE PAN, 29" (M1, M2, M3, M4)
61	4279100PDG	BOTTOM/BASE PAN, 35" (M5, M6)
NS	B1376925	FAN GRILLE GUARD (M5, M6)
NS	B260S8292	SPRAY PAINT, DARK GRAY

Expanded Model Nomenclature

M1 - CPRT24-1
M2 - CPRT30-1
M3 - CPRT36-1
M4 - CPRT42-1
M5 - CPRT48-1
M6 - CPRT60-1

Control Panel



Control Panel

Ref. Part No: No:	Description:	Ref. Part No: No:	Description:
-------------------	--------------	-------------------	--------------

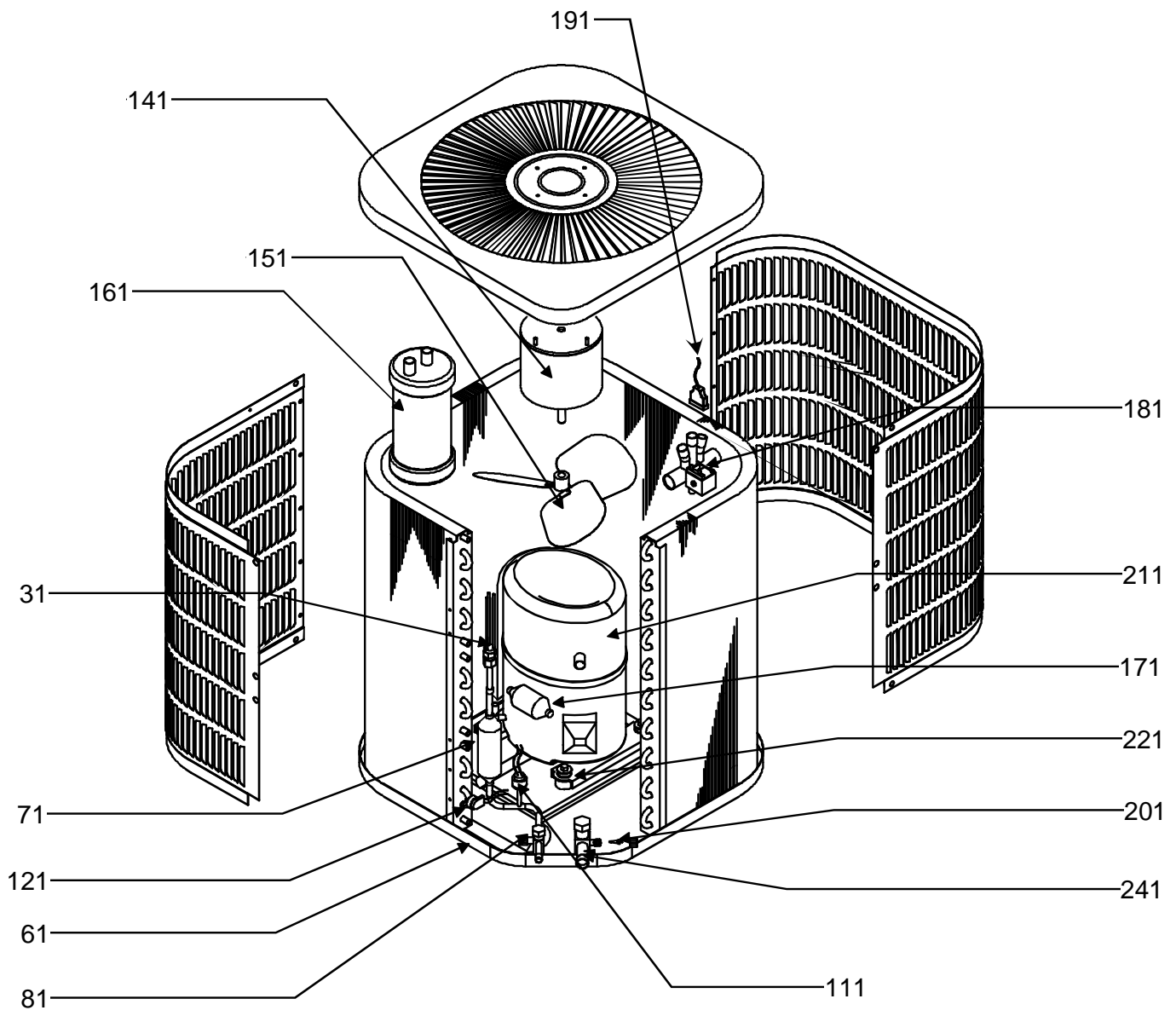
Image 1:

91	1787624PDG	CONTROL BOX COVER (M1, M2, M3, M4)
91	4223701PDG	CONTROL BOX COVER (M5, M6)
101	B94575300	CAPACITOR, DUAL-SECTION, 40/5/370 (M1)
101	B94577200S	CAPACITOR, DUAL-SECTION, 45/5/370 (M2, M3)
101	B94577400S	CAPACITOR, DUAL-SECTION, 50/5/370 (M4)
101	B94577500	CAPACITOR, DUAL-SECTION, 60/5/370 (M5)
101	B94578800	CAPACITOR, DUAL-SECTION, 60/5/440 (M6)
131	B1226008S	DEFROST TIMER
251	1787623	CONTROL BOX (M1, M2, M3, M4)
251	4287600	CONTROL BOX (M5, M6)
261	B1360321	CONTACTOR, 25 AMP, 1 POLE, 24V (M1, M2)
261	B1360324	CONTACTOR, 30 AMP, 1 POLE, 24V (M3, M4, M5)
261	B1360305	CONTACTOR, 40 AMP, 2 POLE, 24V (M6)
271	1787707PDG	ACCESS PANEL, 25.0" (M2)
271	1787708PDG	ACCESS PANEL, 27.5" (M3)
271	1787709PDG	ACCESS PANEL, 30.0" (M1, M4)
271	4223705PDG	ACCESS PANEL, 30.0" (M5)
271	4223707PDG	ACCESS PANEL, 35.0" (M6)

Expanded Model Nomenclature

M1 - CPRT24-1
M2 - CPRT30-1
M3 - CPRT36-1
M4 - CPRT42-1
M5 - CPRT48-1
M6 - CPRT60-1

Internal Components



Internal Components

Ref. Part No:	No:	Description:	Ref. Part No:	No:	Description:
<i>Image 1:</i>					
31	B2114645	FLOWRATOR (M1)			
31	B2114655	FLOWRATOR (M2, M3)			
31	B2114657	FLOWRATOR (M4)			
31	B2114870	FLOWRATOR (M5)			
31	B2114872	FLOWRATOR (M6)			
71	B1219204	DRIER, BI-FLOW, STEEL			
81	B1282580	BASE VALVE, LIQUID LINE, 3/8" x 5/16"			
111	B1360719	LOW PRESSURE SWITCH			
121	B1370803	DEFROST THERMOSTAT			
141	B13400270	FAN MOTOR, 1/4 HP, 1 SPD, 830 RPM (M3, M4)			
141	B13400271	FAN MOTOR, 1/4 HP, 1 SPD, 830 RPM (M5, M6)			
141	B13400348	FAN MOTOR, 1/6 HP, 1 SPD, 840 RPM (M1, M2)			
151	B1086764S	FAN, 4 BLADE, 22° PITCH, 22 DIAMETER (M1, M2)			
151	B1086769	FAN, 4 BLADE, 22° PITCH, 26 DIAMETER (M5, M6)			
151	B1086765S	FAN, 4 BLADE, 28° PITCH, 22 DIAMETER (M3, M4)			
161	B1226206	ACCUMULATOR, 0750" (M1, M2)			
161	B1226207	ACCUMULATOR, 0875" (M3, M4, M5, M6)			
171	B1219301	MUFFLER ½" x ½"			
181	B1227315S	REVERSING VALVE W/SOLENOID (M1)			
181	B1227316S	REVERSING VALVE W/SOLENOID (M2)			
181	B1227317S	REVERSING VALVE W/SOLENOID (M3, M4, M5, M6)			
191	B1225020	SOLENOID COIL CORD			
201	B1787000	CORE, VALVE			
211	ZR22K4PFV930	COMPRESSOR, ZR22K4-PFV-230 (OLD PN# B9266390) (M1)			
211	ZR28K3PFV930	COMPRESSOR, ZR28K3-PFV-230 (OLD PN# B9266369) (M2)			
211	ZR32K3PFV930	COMPRESSOR, ZR32K3-PFV-230 (OLD PN# B9266380) (M3)			
211	ZR36K3PFV930	COMPRESSOR, ZR36K3-PFV-230 (OLD PN# B9266375) (M4)			
211	ZR42K3PFV930	COMPRESSOR, ZR42K3-PFV-230 (OLD PN# B9266352) (M5)			
211	ZR48K3PFV935	COMPRESSOR, ZR48K3-PFV-235 (OLD PN# B9266379) (M6)			
221	B1339533	GROMMET, COMPRESSOR			
241	B1282581	BASE VALVE, SUCTION LINE, 3/4" x 3/4" (M1, M2)			
241	B1282582	BASE VALVE, SUCTION LINE, 7/8" x 7/8" (M3, M4, M5, M6)			
NS	B1789862	FLOW CHECK PISTON KIT (M1)			
NS	B1789871	FLOW CHECK PISTON KIT (M2)			
NS	B1789873	FLOW CHECK PISTON KIT (M3)			
NS	B1789878	FLOW CHECK PISTON KIT (M4)			
NS	B1789884	FLOW CHECK PISTON KIT (M5)			
NS	B1789892	FLOW CHECK PISTON KIT (M6)			
NS	B1376927	MOTOR MOUNTING BRACKET (M5, M6)			
NS	B1225022S	REVERSING VALVE, SOLONOID REPLACEMENT			

Expanded Model Nomenclature

M1 - CPRT24-1
M2 - CPRT30-1
M3 - CPRT36-1
M4 - CPRT42-1
M5 - CPRT48-1
M6 - CPRT60-1