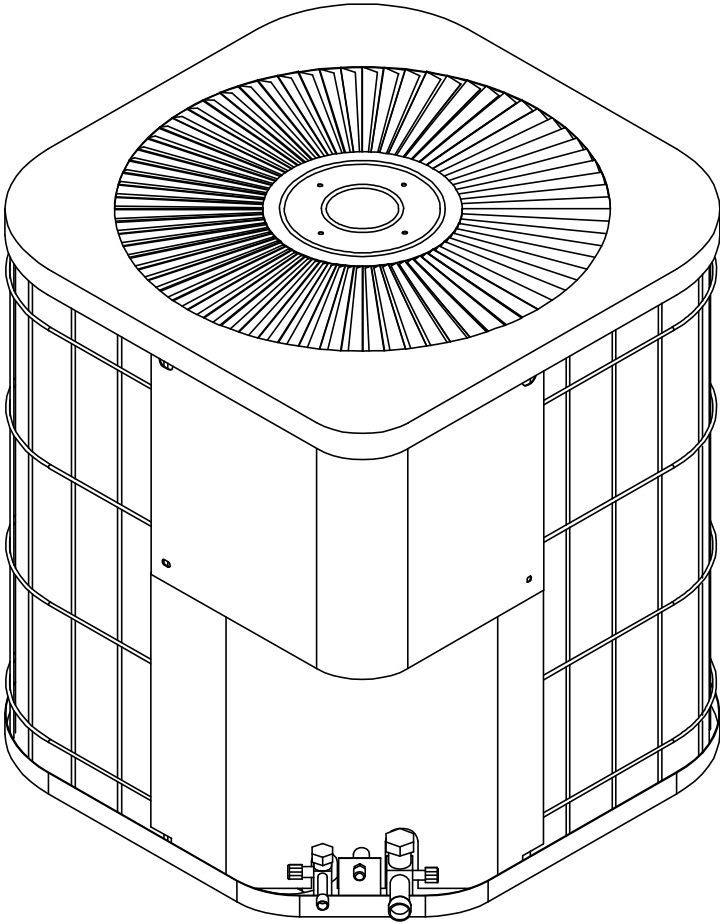
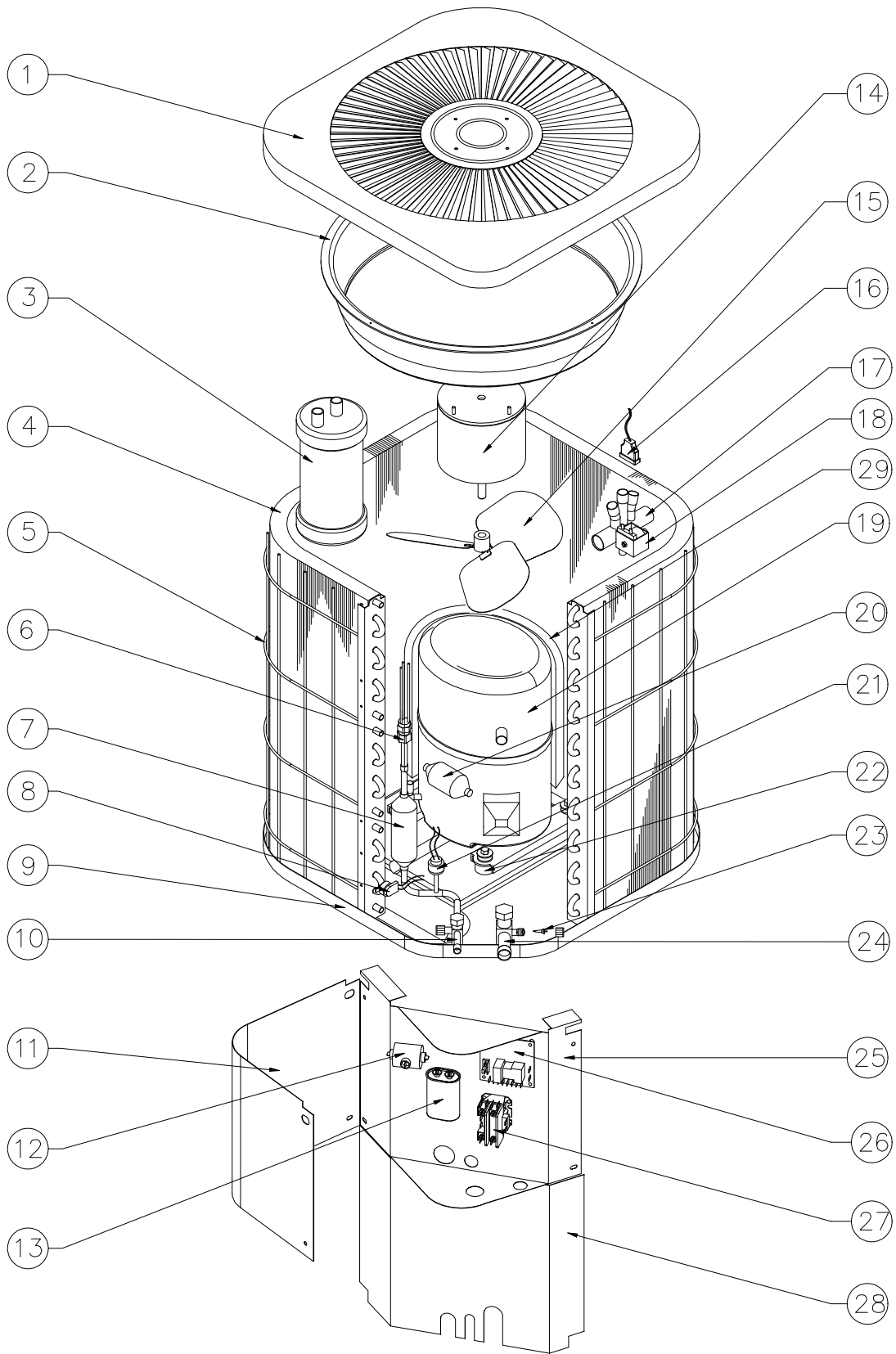


REPAIR PARTS

MODEL: CPKJ SERIES
HEAT PUMP





REPLACEMENT PARTS LIST

UNIT: HEAT PUMPS
MODEL: CPKJ

REF. NO.	PART NO.	DESCRIPTION	QTY. PER SIZE									
			C P K J 1 8 -1	C P K J 2 4 -1	C P K J 2 4 -1 A	C P K J 3 0 -1	C P K J 3 0 -1 A	C P K J 3 6 -1	C P K J 3 6 -1 A	C P K J 4 2 -1	C P K J 4 8 -1	C P K J 6 0 -1
1	1779405P 1779406P	PANEL, TOP (LOUVERED) PANEL, TOP (LOUVERED)	1	1	1	1	1	1	1	1	1	
2	*1787815	VENTURI, PLASTIC						1	1	1	1	
3	B1226205 B1226206 B1226207	ACCUMULATOR (5/8 O.D.) ACCUMULATOR (3/4 O.D.) ACCUMULATOR (7/8 O.D.)	1	1	1	1	1	1	1	1	1	
4	1260432 1284425 1284630 1284637 1284840	COIL, COND.,(FORMED) (32" X 60 ") COIL, COND.,(FORMED) (25" X 84 ") COIL, COND.,(FORMED) (30" X 84 ") COIL, COND.,(FORMED) (37.5" X 84 ") COIL, COND.,(FORMED) (40" X 84 ")	1	1	1	1	1	1	1	1	1	
5	B1259532 B1259625 B1259630 B1259637 B1259640	GRILLE, INLET, (32.0" SMALL) GRILLE, INLET, (25.0" LARGE) GRILLE, INLET, (30.0" LARGE) GRILLE, INLET, (37.5" LARGE) GRILLE, INLET, (40.0" LARGE)	1	1	1	1	1	1	1	1	1	
6	B2114443 B2114447 B2114452 B2114659 B2114665 B2114876	FLOWRATER W/COPPER FLOWRATER W/COPPER FLOWRATER W/COPPER FLOWRATER W/COPPER FLOWRATER W/COPPER FLOWRATER W/COPPER	1	1	1	1	1	1	1	1	1	
7	B1219201S	DRIER, BI-FLOW, PARKER #031624-02	1	1	1	1	1	1	1	1	1	
8	B1370803	THERMOSTAT, DEFROST, T.I. #3NT11L-1201	1	1	1	1	1	1	1	1	1	
9	1787209P 1787210P	PAN, BOTTOM (SMALL) PAN, BOTTOM (LARGE)	1	1	1	1	1	1	1	1	1	
10	B1282565	VALVE, BASE, LIQUID LINE 3/8" SWEAT X 3/8" SWEAT	1	1	1	1	1	1	1	1	1	
11	1787624P	CONTROL BOX COVER	1	1	1	1	1	1	1	1	1	
12	B1141670 B1141671	START ASSIST START ASSIST				1	1	1	1	1		
13	B94575300 B94575500 B94577200 B94577500 B94578700	CAPACITOR, DUAL-SECTION 35 MFD, 5 MFD, 370 VAC CAPACITOR, DUAL-SECTION 40 MFD, 5 MFD, 370 VAC CAPACITOR, DUAL-SECTION 45 MFD, 5 MFD, 370 VAC CAPACITOR, DUAL-SECTION 60 MFD, 5 MFD, 370 VAC CAPACITOR, DUAL-SECTION 30 MFD, 5 MFD, 370 VAC	1			1	1		1	1		

* Plastic Venturi will be converted to metal (17878-18) approximately January 1, 1998.

REPLACEMENT PARTS LIST

UNIT: HEAT PUMPS
MODEL: CPKJ

REF. NO.	PART NO.	DESCRIPTION	QTY. PER SIZE									
			C P K J 1 8 - 1	C P K J 2 4 - 1	C P K J 2 4 - 1	C P K J 3 0 - 1	C P K J 3 0 - 1	C P K J 3 6 - 1	C P K J 3 6 - 1	C P K J 4 2 - 1	C P K J 4 8 - 1	C P K J 6 0 - 1
14	B13400247	MOTOR, CONDENSER, FAN, 208/230-60-1, 1 SPEED, PSC, 1075 RPM, 1/4 HP GE # 5KCP39EGT974 S A.O. SMITH # F48F97A76						1		1	1	1
	B13400348	MOTOR, CONDENSER, FAN, 208/230-60-1, 1 SPEED, PSC, 1/6 HP GE # 5KCP39GGS027S, 850 RPM GE # 5KCP39GGS027S, 810 RPM, A.O. SMITH #F48C77A76, 840 RPM,	1	1	1	1	1		1			
15	B1086750	FAN, CONDENSER, 3 BLADE, 24° PITCH, 22" DIA., LAU # 609107-01		1	1	1	1	1	1	1	1	1
	B1086756	FAN, CONDENSER, 3 BLADE, 29° PITCH, 18" DIA., LAU # 609109-01 28° PITCH, 18" DIA., **REVCOR #T1803-28L	1									
16	B1225020	SOLENOID COIL CORD	1	1	1	1	1	1	1	1	1	1
17	B1227300	VALVE, REVERSING, RANCO #V2-310061-3GD	1									
	B1227302	VALVE, REVERSING, RANCO #V6-312081-1GD		1	1	1	1		1			
	B1227310	VALVE, REVERSING, RANCO #V10-31408-1GD						1		1	1	1
18	B1225017	SOLENOID, REVERSING VALVE, RANCO #L30-12000-0GD, 24 VOLT COIL	1	1	1	1	1	1	1	1	1	1
19	B9266863	COMPRESSOR, 208/230-60-1 COPELAND #ZR49K3-PFV										1
	*B9266684A	COMPRESSOR, 208/230-60-1 BRISTOL #H25B22QABCA		1								
	*B9266639A	COMPRESSOR, 208/230-60-1 BRISTOL #H27B28QCBCA					1					
	*B9266667	COMPRESSOR, 200/230-60-1 BRISTOL #H27B32QCBCA							1			
	*B9266663A	COMPRESSOR, 208/230-60-1 BRISTOL #H25A38QCBCA								1		
	*B9266639A	COMPRESSOR, 208/230-60-1 BRISTOL #H27A28QCBCA				1						
	B9266600A	COMPRESSOR, 208/230-60-1 TECUMSEH #AW5516H-W050	1									
	*B9266662A	COMPRESSOR, 208/230-60-1 BRISTOL # H27A42QCBCA									1	
	*B9266667	COMPRESSOR, 208/230-60-1 BRISTOL # H27A32QCBCA							1			
	*B9266833A	COMPRESSOR, 208/230-60-1 BRISTOL # H29B22UABCA			1							

* "A" suffix on Bristol Compressors designates a straight suction compressor stub and without "A" suffix designates an elbow on suction compressor stub.

** Motor shaft must protrude a minimum of 3/8" past the fan hub to minimize vibration.

REPLACEMENT PARTS LIST

UNIT: HEAT PUMPS
MODEL: CPKJ

REF. NO.	PART NO.	DESCRIPTION	QTY. PER SIZE																	
			C P K J 1 8 - 1	C P K J 2 4 - 1	C P K J 2 4 - 1 A	C P K J 3 0 - 1	C P K J 3 0 - 1 A	C P K J 3 6 - 1	C P K J 3 6 - 1 A	C P K J 4 2 - 1	C P K J 4 8 - 1	C P K J 6 0 - 1								
20	B1219300	MUFFLER (3/8" X 3/8") PARKER #O54801-01	1				1													
	B1219301	MUFFLER (1/2" X 1/2") PARKER #P54801-02		1	1	1			1	1	1	1	1	1	1	1	1	1	1	1
21	B1360719	SWITCH, LOW PRESSURE T.I. #20-PS025GA025E007C	1	1	1	1	1	1	1	1	1	1	1	1	1	1	1	1	1	1
22	B1339530	GROMMET, COMPRESSOR BRISTOL #027-0167-00	4	4		4	4			4										
	B1339533	GROMMET, COMPRESSOR BRISTOL #027-0186-00			4				4		4	4	4	4	4	4	4	4	4	4
23	B1787000	CORE, VALVE	2	2	2	2	2	2	2	2	2	2	2	2	2	2	2	2	2	2
24	B1282566	VALVE, BASE, SUCTION LINE 3/4" SWEAT X 3/4" SWEAT	1	1	1	1	1	1	1	1	1									
	B1282567	VALVE, BASE, SUCTION LINE 7/8" SWEAT X 7/8" SWEAT											1	1	1	1	1	1	1	1
25	1787623	CONTROL BOX	1	1	1	1	1	1	1	1	1	1	1	1	1	1	1	1	1	1
26	B1226008	DEFROST CONTROL WITH RELAY ICM #W1001, U.T. #1018-200, RANCO #7410108	1	1	1	1	1	1	1	1	1	1	1	1	1	1	1	1	1	1
27	B1360321	CONTACTOR, 25 FLA, 125 LRA, 1 POLE 240/277 VOLTS, 24 VOLT COIL	1	1	1	1	1													
	B1360324	CONTACTOR, 30 FLA, 150 LRA, 1 POLE 240/277 VOLTS, 24 VOLT COIL								1	1	1	1	1	1	1	1	1	1	1
28	1787707P	PANEL, ACCESS, (25.0")		1	1	1	1	1		1	1									
	1787709P	PANEL, ACCESS, (30.0")																		
	1787710P	PANEL, ACCESS, (32.0")																		
	1787717P	PANEL, ACCESS, (37.5")											1							
	1787718P	PANEL, ACCESS, (40.0")	1															1	1	1
29	B1488800	COMPRESSOR NOISE BLANKET				1			1								1			
30	B260S8291	SPRAY PAINT (HIGH GLOSS BAHAMA BEIGE)																		

NOTE: SPECIFICATIONS AND PERFORMANCE DATA LISTED HEREIN ARE SUBJECT TO CHANGE WITHOUT NOTICE