



REPAIR PARTS

CPJ SERIES Remote Heat Pumps

CPJ18-1B
CPJ24-1AB
CPJ30-1AB
CPJ36-1AB
CPJ42-1AB
CPJ48-1AB
CPJ60-1C

This manual is to be used by qualified technicians only.

© 1994-2008 Goodman Manufacturing Company, L.P. ♦ 5151 San Felipe, Suite 500 ♦ Houston, TX 77056



Important Information

Index

Functional Parts List	3
Illustration and Parts	4 - 7

Views shown are for parts illustrations only, not servicing procedures.

Text Codes:

AR - As Required

NA - Not Available

NS - Not Shown

00000000 - See Note

QTY - Quantity Example (QTY 3) (If Quantity not shown, Quantity = 1)

M - Model Example (M1) (If M Code not shown, then part is used on all Models)

Expanded Model Nomenclature:

Example M1 - Model#1 M2 - Model#2 M3 - Model#3

Goodman Manufacturing Company, L.P. is not responsible for personal injury or property damage resulting from improper service. Review all service information before beginning repairs.

Warranty service must be performed by an authorized technician, using authorized factory parts. If service is required after the warranty expires, Goodman Manufacturing Company, L.P. also recommends contacting an authorized technician and using authorized factory parts.

Goodman Manufacturing Company, L.P. reserves the right to discontinue, or change at any time, specifications or designs without notice or without incurring obligations.

For assistance within the U.S.A. contact:
Consumer Affairs Department
Goodman Manufacturing Company, L.P.
7401 Security Way
Houston, Texas 77040
877-254-4729-Telephone
713-863-2382-Facsimile

For assistance outside the U.S.A. contact:
International Division
Goodman Manufacturing Company, L.P.
7401 Security Way
Houston, Texas 77040
713-861-2500-Telephone
713-863-2382-Facsimile

Functional Parts

Part

No: Description:

CAP050300370RSS	CAPACITOR 5/30/370V (M1, M2)
CAP050350370RSS	CAPACITOR 5/35/370V (M3, M4)
CAP050400370RSS	CAPACITOR 5/40/370V (M4, M5, M6)
CAP050450370RSS	CAPACITOR 5/45/370V [CONTROL BOX] (M6, M7)
CAP050600370RTS	CAPACITOR 5/60/370V (M7)
CR18K6PFV960	COMPRESSOR 18000, 208/230/60/1 (M1, M2)
CR28K6PFV960	COMPRESSOR 28200, 208/230/60/1 (M3, M4)
ZR48K3PFV935	COMPRESSOR 49800,208/230/60/1 (M7)
CR35K6PFV960	COMPRESSOR H27A32QCBCA (706920-1501-00) (M4, M5)
B9266201AS	COMPRESSOR H27A42QCBCA (706929-1501-00) (M6, M7)
CR22K6PFV960	COMPRESSOR H29B22UABCA (729011-1501-00) (M1, M2)
0131M00007PS	COND MOTOR 1/4 HP, 1 SP, 8 PL (M5, M6, M7)
B13400251S	COND MOTOR 1/6 HP, 1 SP (M1, M2)
0131M00009PS	COND MOTOR 1/6 HP, 8P, 1 SP
CONT2P025024VS	CONTACTOR 25 AMP, 1P, 24V
CONT2P030024VS	CONTACTOR 30 AMP, 2P, 24V (M7)
B1360719	CUT-OUT SWITCH, LOW PRESSURE
PCBDM101S	DEFROST CONTROL W/RELAY
B1370803	DEFROST THERMOSTAT (M1, M2)
B1370803	DEFROST THERMOSTAT (M3, M4, M5, M6, M7)
B1141658	START ASSIST # 305C9L01, 10 OHMS (M1, M2, M3, M4, M5, M6)
B1370760	TIME DELAY 30 SEC DELAY, 24V (M7)

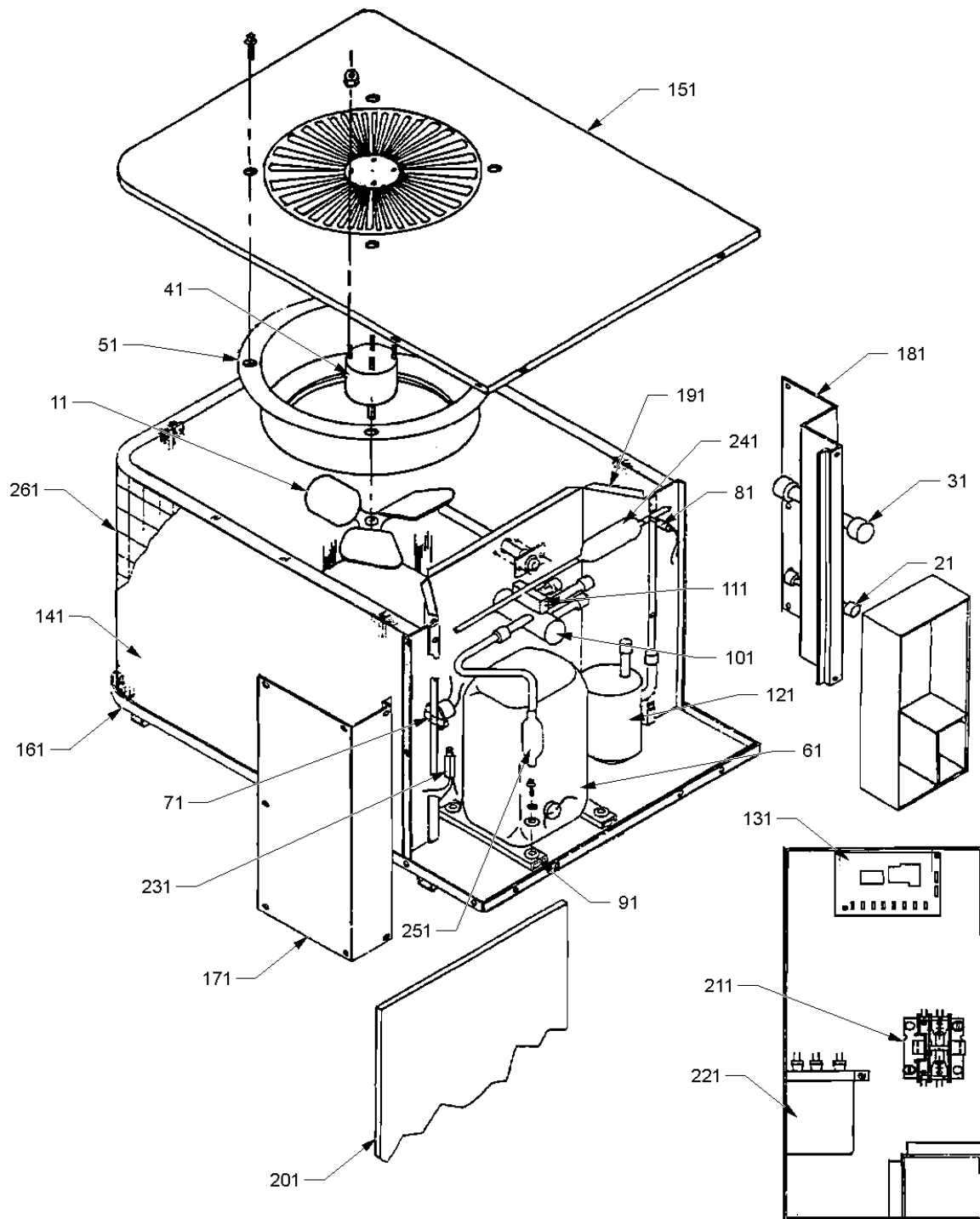
SPECIAL PARTS

RP-171	REPAIR PARTS MANUAL
B260S8291	SPRAY PAINT (HIGH GLOSS BAHAMA BEIGE)

Expanded Model Nomenclature

M1 - CPJ18-1B
M2 - CPJ24-1AB
M3 - CPJ30-1AB
M4 - CPJ36-1AB
M5 - CPJ42-1AB
M6 - CPJ48-1AB
M7 - CPJ60-1C

Replacement Parts List



Replacement Parts List

Ref. Part No:	No:	Description:	Ref. Part No:	No:	Description:
<i>Image 1:</i>					
11	B1086756S	FAN BLADE 18", 3 BLADE, 29° (M1, M2)			
21	20163801S	3/8" SERVICE VALVE (M1, M2)			
31	B1282566	3/4" SERVICE VALVE (M1, M2)			
41	B13400251S	COND MOTOR 1/6 HP, 1 SP (M1, M2)			
41	0131M00009PS	COND MOTOR 1/6 HP, 1 SP, 8 PL (M1, M2)			
51	B1787810	VENTURI (M1, M2)			
61	CR18K6PFV960	COMPRESSOR 18000, 208/230/60/1 (M1, M2)			
61	CR22K6PFV960	COMPRESSOR H29B22UABCA (729011-1501-00) (M1, M2)			
71	B1370803	DEFROST THERMOSTAT (M1, M2)			
81	B1360719	CUT-OUT SWITCH, LOW PRESSURE (M1, M2)			
91	B1339530	COMPRESSOR GROMMET (M1, M2)			
101	B1227316S	REVERSING VALVE W/SOLENOID COIL (M1, M2)			
111	B1225017	REVERSING VALVE SOLENOID (M1, M2)			
121	B1226206	ACCUMULATOR (M1, M2)			
131	PCBDM101S	DEFROST CONTROL BOARD (M1, M2)			
141	1262304	TUBING ASSY, COND COIL 30" (M1, M2)			
151	1779403P	TOP PANEL-LOUVERED (M1, M2)			
161	1787208P	BOTTOM PAN ASSY (M1, M2)			
171	1787303P	LEFT CORNER PANEL 30" (M1, M2)			
181	1787424P	RIGHT CORNER PANEL 30" (M1, M2)			
191	1787503	PARTITION PANEL 30" (M1, M2)			
201	1787703P	ACCESS PANEL 30" (M1, M2)			
211	CONT2P025024VS	CONTACTOR 25 AMP, 2P, 24V (M1, M2)			
221	CAP050300370RSS	CAPACITOR 5/30/370V (M1, M2)			
231	B1313447	FLOWRATOR (M1, M2)			
231	B1314455	FLOWRATOR (M1, M2)			
241	B1219201S	BI-FLOW FILTER DRIER (M1, M2)			
251	B1219300	MUFFLER 3/8 X 3/8 (M1, M2)			
261	B1259330	INLET GRILLE 30" (M1, M2)			

Expanded Model Nomenclature

- | |
|----------------|
| M1 - CPJ18-1B |
| M2 - CPJ24-1AB |
| M3 - CPJ30-1AB |
| M4 - CPJ36-1AB |
| M5 - CPJ42-1AB |
| M6 - CPJ48-1AB |
| M7 - CPJ60-1C |

Replacement Parts List

Ref. Part No:	Ref. Part No:	Description:	Description:
<i>Image 1:</i>			
11	B1086750S	FAN BLADE 22", 3 BLADE, 24° (M3, M4, M5, M6, M7)	231 B2114665 FLOWRATOR .065 [EVAP] (M5, M6)
21	20163801	3/8" SERVICE VALVE (M3, M4, M5, M6, M7)	241 B1219301 MUFFLER (1/2" X 1/2") (M3, M4, M5, M6, M7)
31	B1282566	3/4" SERVICE VALVE (M3, M4)	251 B1259432 INLET GRILLE 32.5" (M3, M4, M5, M7)
31	B1282543	7/8" SERVICE VALVE (M4, M5, M6, M7)	251 B1259440 INLET GRILLE 40.0" (M6)
41	0131M00007PS	COND MOTOR 1/4 HP, 1 SP, 8 PL (M5, M6, M7)	261 B1141658 START ASSIST # 305C9L01, 10 OHMS (M1, M2, M3, M4, M5, M6)
41	0131M00009PS	COND MOTOR 1/6 HP, 8P, 1 SP (M3, M4, M6)	271 B1370760 TIME DELAY 30 SEC DELAY, 24V (M7)
51	1787811	VENTURI (M3, M4, M5, M6, M7)	NS B1219201S BI-FLOW FILTER DRIER (M3, M4, M5, M6, M7)
61	CR28K6PFV960	COMPRESSOR 28200, 208/230/60/1 (M3, M4)	Expanded Model Nomenclature
61	ZR48K3PFV935	COMPRESSOR 49800,208/230/60/1 (M7)	M1 - CPJ18-1B
61	CR35K6PFV960	COMPRESSOR H27A32QCBCA (706920-1501-00) (M4, M5)	M2 - CPJ24-1AB
61	B9266201AS	COMPRESSOR H27A42QCBCA (706929-1501-00) (M6, M7)	M3 - CPJ30-1AB
71	B1370803	DEFROST THERMOSTAT (M3, M4, M5, M6, M7)	M4 - CPJ36-1AB
81	B1360719	CUT-OUT SWITCH, LOW PRESSURE (M3, M4, M5, M6, M7)	M5 - CPJ42-1AB
91	PCBDM101S	DEFROST CONTROL W/RELAY (M3, M4, M5, M6, M7)	M6 - CPJ48-1AB
101	B1227317S	REVERSING VALVE (M4, M5, M6, M7)	M7 - CPJ60-1C
101	B1227316S	REVERSING VALVE W/SOLENOID COIL (M3, M4)	
111	B1225017	REVERSING VALVE SOLENOID (M3, M4, M5, M6, M7)	
121	B1226206	ACCUMULATOR (M3, M4)	
121	B1226207	ACCUMULATOR (M4, M5, M6, M7)	
131	B1339533	COMPRESSOR GROMMET (M3, M4, M5, M6, M7)	
141	1262307	TUBING ASSY, COND COIL 32.5" (M7)	
141	1264905	TUBING ASSY, COND COIL 32.5" (M3, M4, M5)	
141	1264907	TUBING ASSY, COND COIL 40" (M6)	
151	1779404P	TOP PANEL-LOUVERED (M3, M4, M5, M6, M7)	
161	1779107P	BOTTOM PANEL ASSY (M3, M4, M5, M6, M7)	
171	1779232P	SIDE PANEL 32.5" (M3, M4, M5, M7)	
171	1779240P	SIDE PANEL 40" (M6)	
181	1779532	PARTITION PANEL 32.5" (M3, M4, M5, M7)	
181	1779540	PARTITION PANEL 40" (M6)	
191	1779304P	ACCESS PANEL 32.5" (M3, M4, M5, M7)	
191	1779305P	ACCESS PANEL 40" (M6)	
201	CONT2P025024VS	CONTACTOR 25 AMP, 1P, 24V (M3, M4, M5, M6)	
201	CONT2P030024VS	CONTACTOR 30 AMP, 2P, 24V (M7)	
211	CAP050350370RSS	CAPACITOR 5/35/370V (M3, M4)	
211	CAP050400370RSS	CAPACITOR 5/40/370V (M4, M5, M6)	
211	CAP050450370RSS	CAPACITOR 5/45/370V [CONTROL BOX] (M6, M7)	
211	CAP050600370RTS	CAPACITOR 5/60/370V (M7)	
231	B2114676	FLOWRATOR (M7)	
231	B2114871	FLOWRATOR (M6, M7)	
231	B2114655	FLOWRATOR .055 [COND] (M3, M4)	
231	B2114659	FLOWRATOR .059 [COND] (M4, M5)	