

# REPAIR PARTS

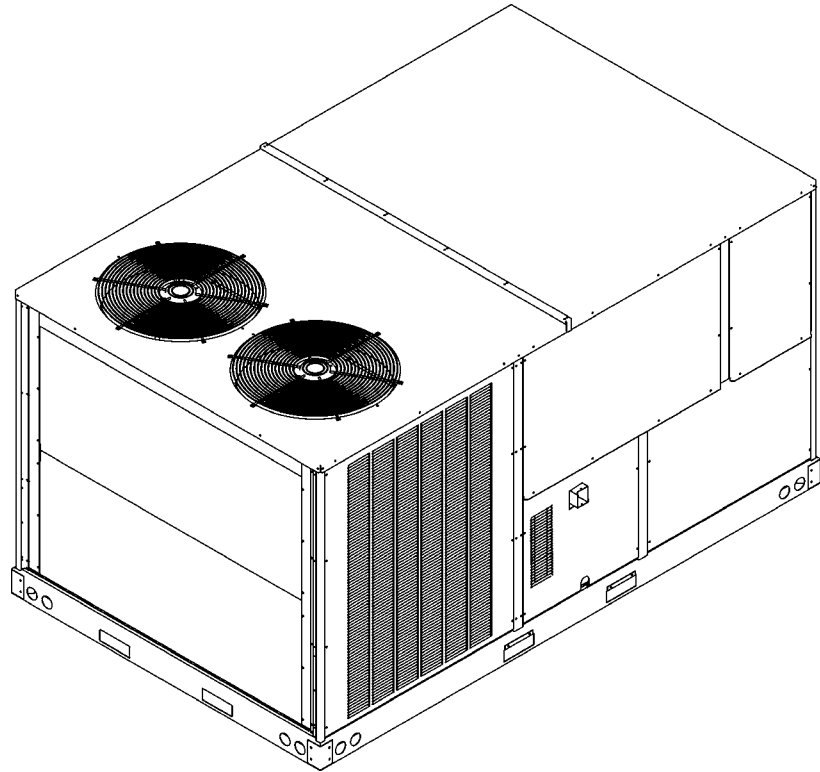
---

## Commercial 10 Ton Package Heat Pump

CPH120XXX3VXXXAA

CPH120XXX4VXXXAA

CPH120XXX7VXXXAA



This manual is to be used by qualified technicians only.

© 2013 Goodman Manufacturing Company, L.P. ♦ 5151 San Felipe, Suite 500 ♦ Houston, TX 77056

# Important Information

---

## Index

Functional Parts List .....	3
Illustration and Parts .....	4 - 13

*Views shown are for parts illustrations only, not servicing procedures.*

Addition of models with 2-Speed Evaporator Motors {Title 24}.

### Text Codes:

AR - As Required

NA - Not Available

NS - Not Shown

00000000 - See Note

QTY - Quantity Example (QTY 3) (If Quantity not shown, Quantity = 1)

M - Model Example (M1) (If M Code not shown, then part is used on all Models)

### Expanded Model Nomenclature:

Example M1 - Model#1 M2 - Model#2 M3 - Model#3
---

Goodman Manufacturing Company, L.P. is not responsible for personal injury or property damage resulting from improper service. Review all service information before beginning repairs.

Warranty service must be performed by an authorized technician, using authorized factory parts. If service is required after the warranty expires, Goodman Manufacturing Company, L.P. also recommends contacting an authorized technician and using authorized factory parts.

Goodman Manufacturing Company, L.P. reserves the right to discontinue, or change at any time, specifications or designs without notice or without incurring obligations.

For assistance within the U.S.A. contact:  
Consumer Affairs Department  
Goodman Manufacturing Company, L.P.  
7401 Security Way  
Houston, Texas 77040  
877-254-4729-Telephone  
713-863-2382-Facsimile

For assistance outside the U.S.A. contact:  
International Division  
Goodman Manufacturing Company, L.P.  
7401 Security Way  
Houston, Texas 77040  
713-861-2500-Telephone  
713-863-2382-Facsimile

# Functional Parts

## Part

## No:

## Description:

---

0130M00025	24V RELAY (QTY 3)
03-78497	BLOWER WHEEL
CAP050000370VA	CAPACITOR 5/370V (QTY 2)
ZP51K5ETF5130	COMP,51000,208/230/60/3 (QTY 2)
0131M00008P	COND MOTOR 1/3 HP, 1 SP, 6 PL (M1)
B13400249	COND MOTOR 1/3 HP, 460V (M2)
0131M00179	COND MOTOR 1/3 HP, 6 PL, 575V (M3)
CONT3P025024V	CONTACTOR 25 AMP, 3P, 24V (QTY 4)
CONT2P040024V	CONTACTOR 40 AMP, 2P, 24V
0130M00104	CONTROL, DEFROST
0130M00102	CONTROL, DEFROST
0130M00031	CUT-OUT SWITCH, HIGH PRESSURE
0130M00030	CUT-OUT SWITCH, HIGH PRESSURE
0130L00003	CUT-OUT SWITCH, LOW PRESSURE
0130L00002	CUTOUT-LOW PRESSURE
PCBFM131	ELECTRONIC BLOWER TIME DELAY RELAY
0164L00017	FAN BELT, NOTCHED
10625733	FAN BLADE 22" ALUM CCW (QTY 2)
0162L00006	FLOWRATOR [COND]
0162L00011	FLOWRATOR [EVAP] (QTY 2)
0131L00023	MOTOR, 2 HP BELT DRIVE 230V (M1)
0131L00029	MOTOR, 2 HP BELT DRIVE 460 V (M2)
0131L00026	MOTOR, 2 HP BELT DRIVE 575 V (M3)
PCBDM130	PCB, DEFROST CONTROL
10135604	RELAY (QTY 4)
0151M00021	REVERSING VALVE
B1225022	SOLENOID COIL
B1141653	TRANSFORMER 480V, 75VA, RESETTABLE (M2)
B1141672	TRANSFORMER 480V, 75VA, RESETTABLE (M1)
0130M00045	TRANSFORMER, 575/24V (M3)

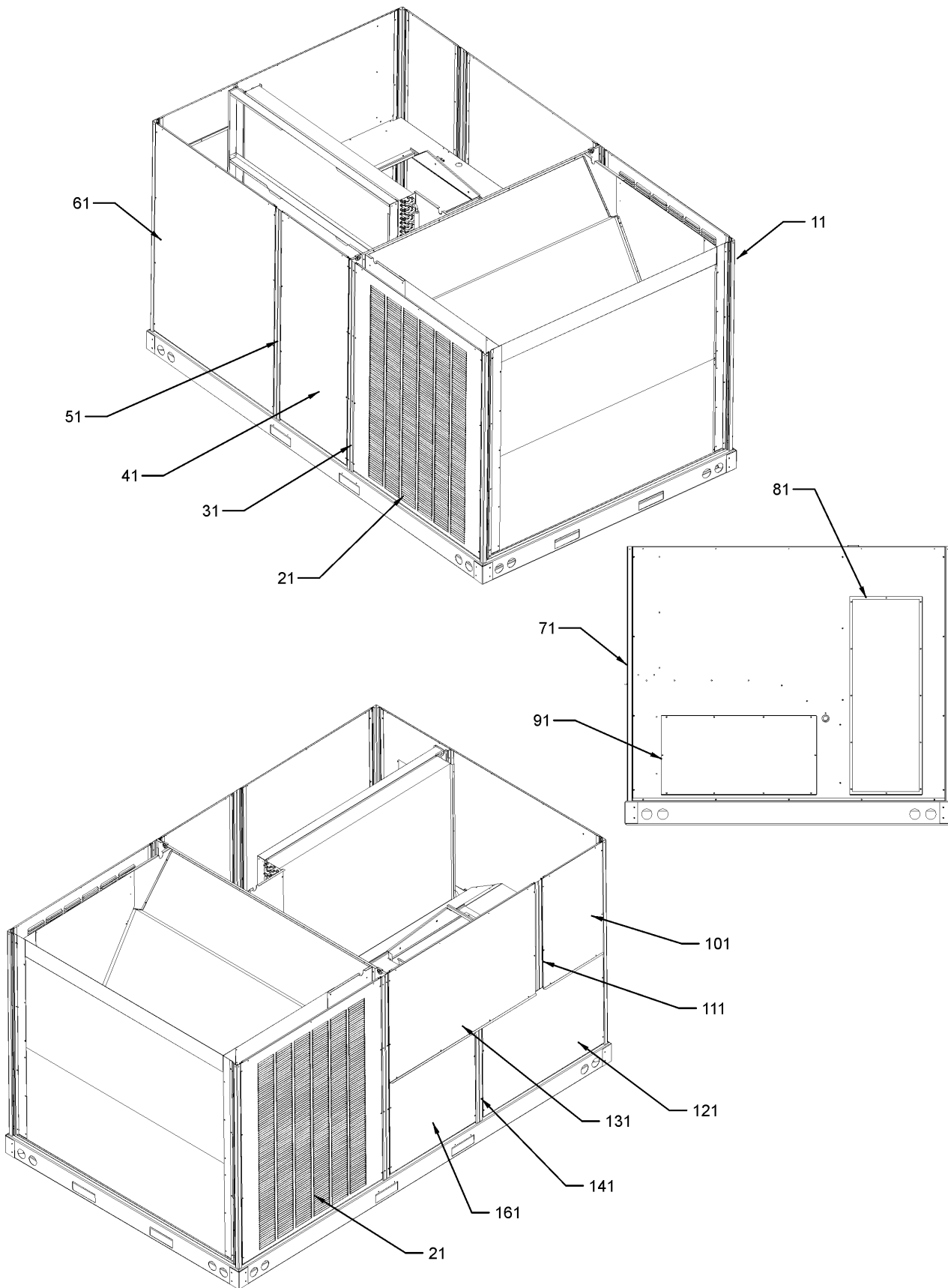
### Expanded Model Nomenclature

M1 - CPH120XXX3VXXXAA

M2 - CPH120XXX4VXXXAA

M3 - CPH120XXX7VXXXAA

# Cabinet Assy



# Cabinet Assy

Ref. Part No: No:	Description:	Ref. Part No: No:	Description:
-------------------	--------------	-------------------	--------------

---

*Image 1:*

11	0121L00065RFDG	CORNER POST (QTY 4)
21	0121L00511DG	LOUVERED SIDE PANEL (QTY 2)
31	0121L00738RFDG	PNT, ROLL FORM SIDE POST (QTY 2)
41	0270L00272	INSUL FILTER DOOR ASSY
51	0121L00739RFDG	PNT, RFORM, FILTER DOOR POST
61	0270L00175	INSULATED ASSY, ECONOMIZER DOOR
71	0270L00398	INSUL DUCT PANEL ASSY
81	0270L00041	INSULATED ASSY, SUPPLY DUCT
91	0270L00040	INSULATED ASSY, RETURN DUCT
101	0121L00974DG	PNT, DOOR, CONTROL
111	0121L00762RFDG	RF, PNT, POST, CONTROL BOX
121	0270L00299	INSUL HEAT EXCH DOOR ASSY
131	0270L00298	INSUL BLWR DOOR ASSY
141	0121L00765RFDG	RF, PNT, POST, BURNER BOX
161	0121L00828DG	PNT, DOOR, BURNER AREA

Expanded Model Nomenclature

M1 - CPH120XXX3VXXXAA
M2 - CPH120XXX4VXXXAA
M3 - CPH120XXX7VXXXAA

# Top Panel / Tubing Assy

Image 1

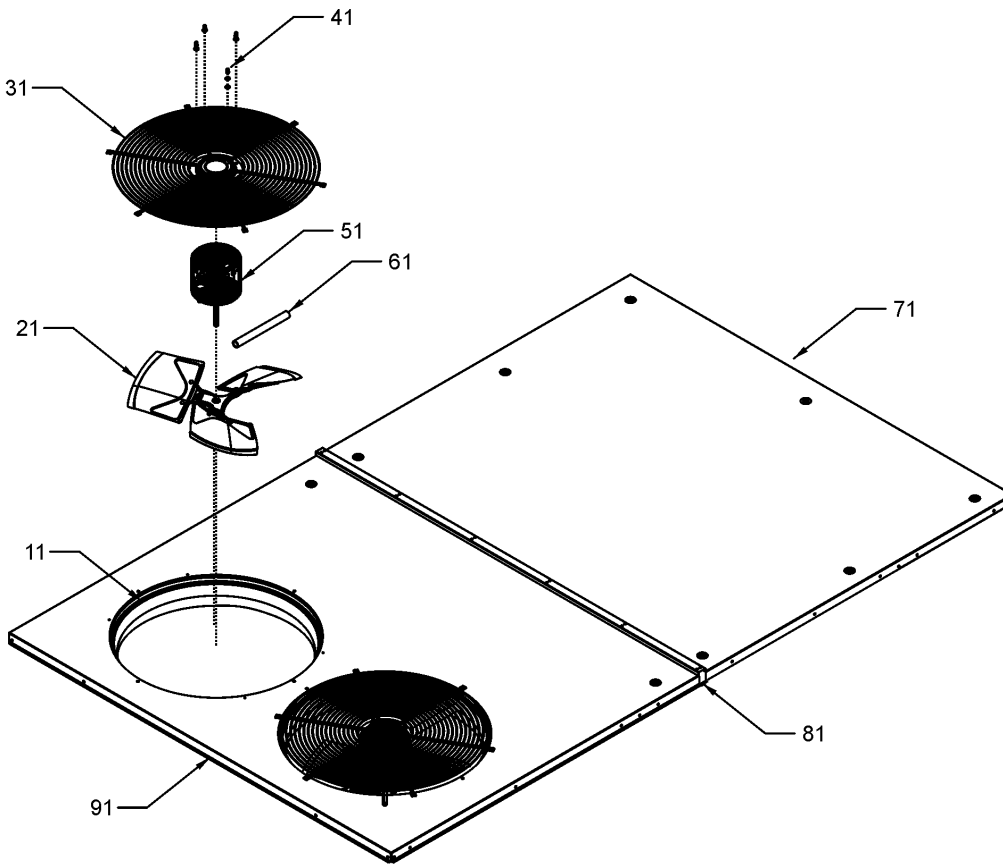
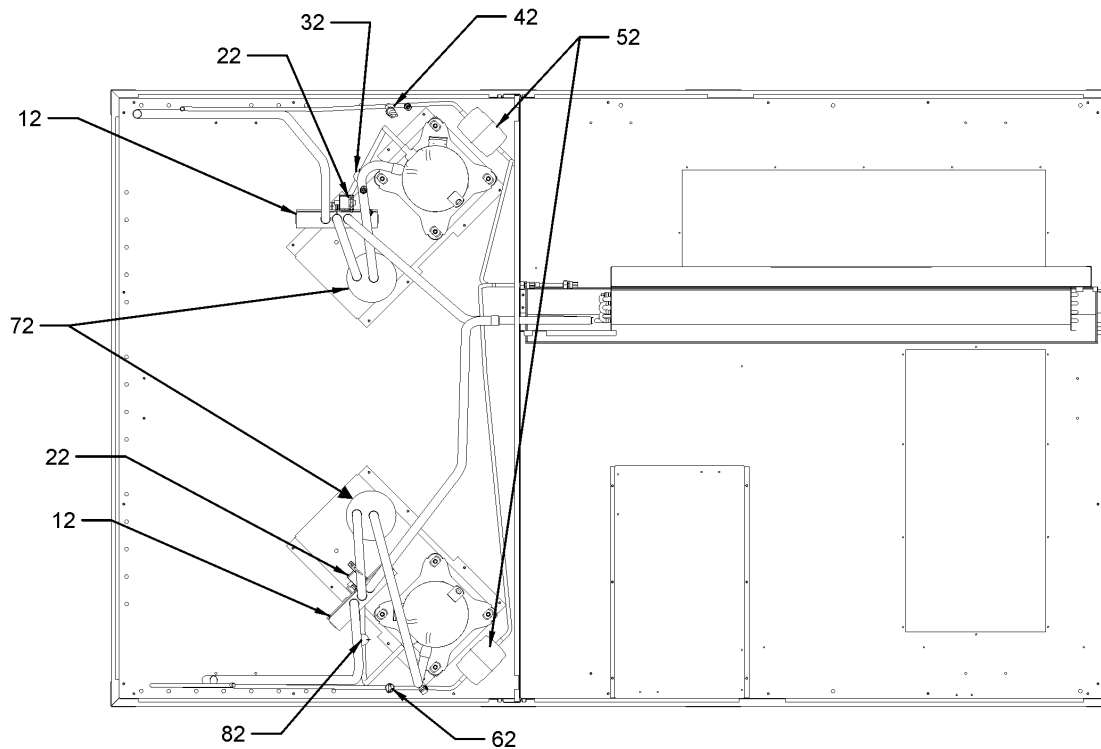


Image 2



# Top Panel / Tubing Assy

Ref. Part No: No:	Description:	Ref. Part No: No:	Description:
-------------------	--------------	-------------------	--------------

*Image 1:*

11	0161L00000	VENTURI RING 22" (QTY 2)
21	10625733	FAN BLADE 22" ALUM CCW (QTY 2)
31	0152G00002	GRILLE-FAN (QTY 2)
41	0163M00006P	ACORN NUT 5/16 HEX BLACK (QTY 8)
51	0131M00008P	COND MOTOR 1/3 HP, 1 SP, 6 PL (M1)
51	B13400249	COND MOTOR 1/3 HP, 460V (M2)
51	0131M00179	COND MOTOR 1/3 HP, 6 PL, 575V (M3)
61	17788000083F	PVC CONDUIT 8.25"
71	0121L00497DG	EVAP TOP PANEL
81	0121L00114DG	SPLICE
91	0121L01014DG	COND TOP PANEL
NS	0163M00175	CAP WITH O-RING
NS	0259L00025	COND MOTOR HARNESS 230V
NS	0259L00027	COND MOTOR HARNESS 230V

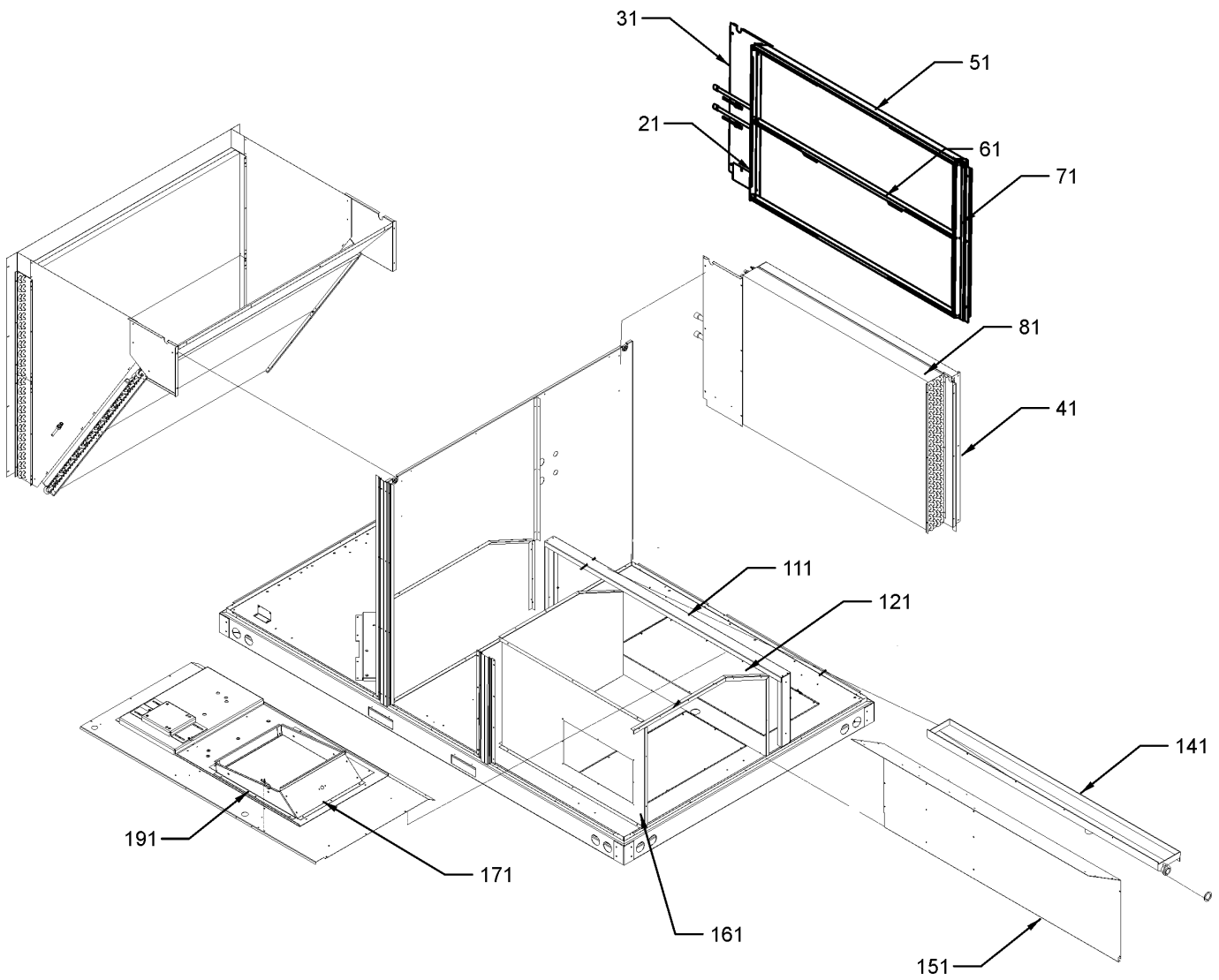
*Image 2:*

12	0151M00021	REVERSING VALVE
22	B1225022	SOLENOID COIL
32	0130M00031	CUT-OUT SWITCH, HIGH PRESSURE
42	0130L00003	CUT-OUT SWITCH, LOW PRESSURE
52	20485201	BI-FLOW FILTER DRIER
62	0130L00002	CUTOUT-LOW PRESSURE
72	B1226207	ACCUMULATOR .875 (QTY 2)
82	0130M00030	CUT-OUT SWITCH, HIGH PRESSURE
NS	B1373315	ACCESS FITTING (QTY 4)
NS	0130M00102	CONTROL, DEFROST
NS	0130M00104	CONTROL, DEFROST
NS	0121L00359	SHIELD - EVAPORATOR DRIP

Expanded Model Nomenclature

M1 - CPH120XXX3VXXXAA
M2 - CPH120XXX4VXXXAA
M3 - CPH120XXX7VXXXAA

# Partition Assy



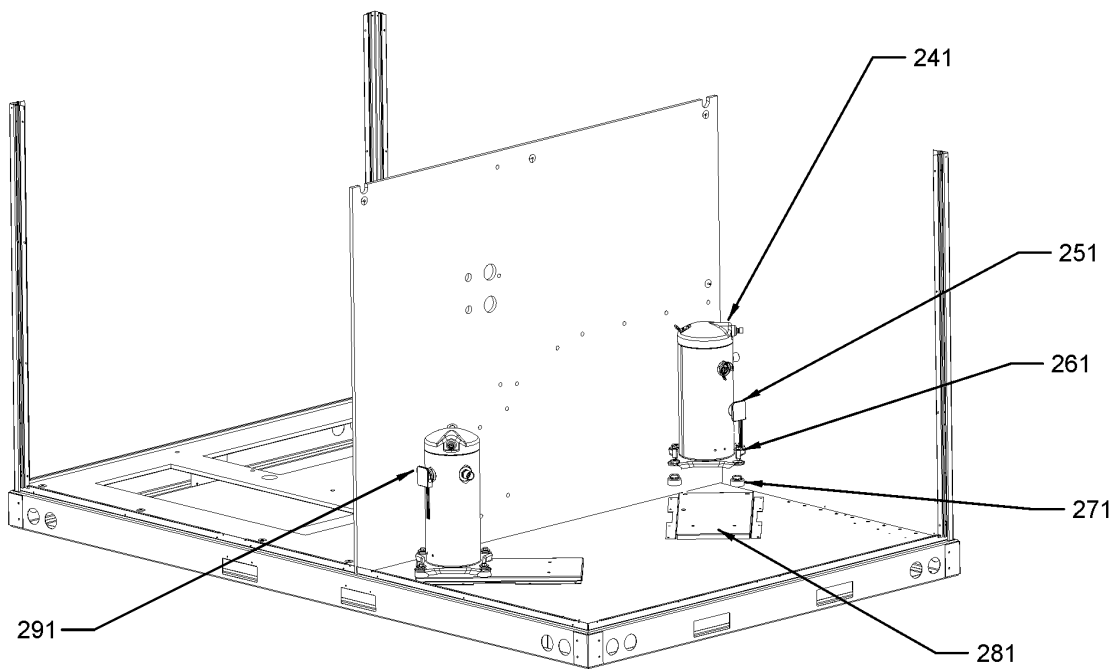
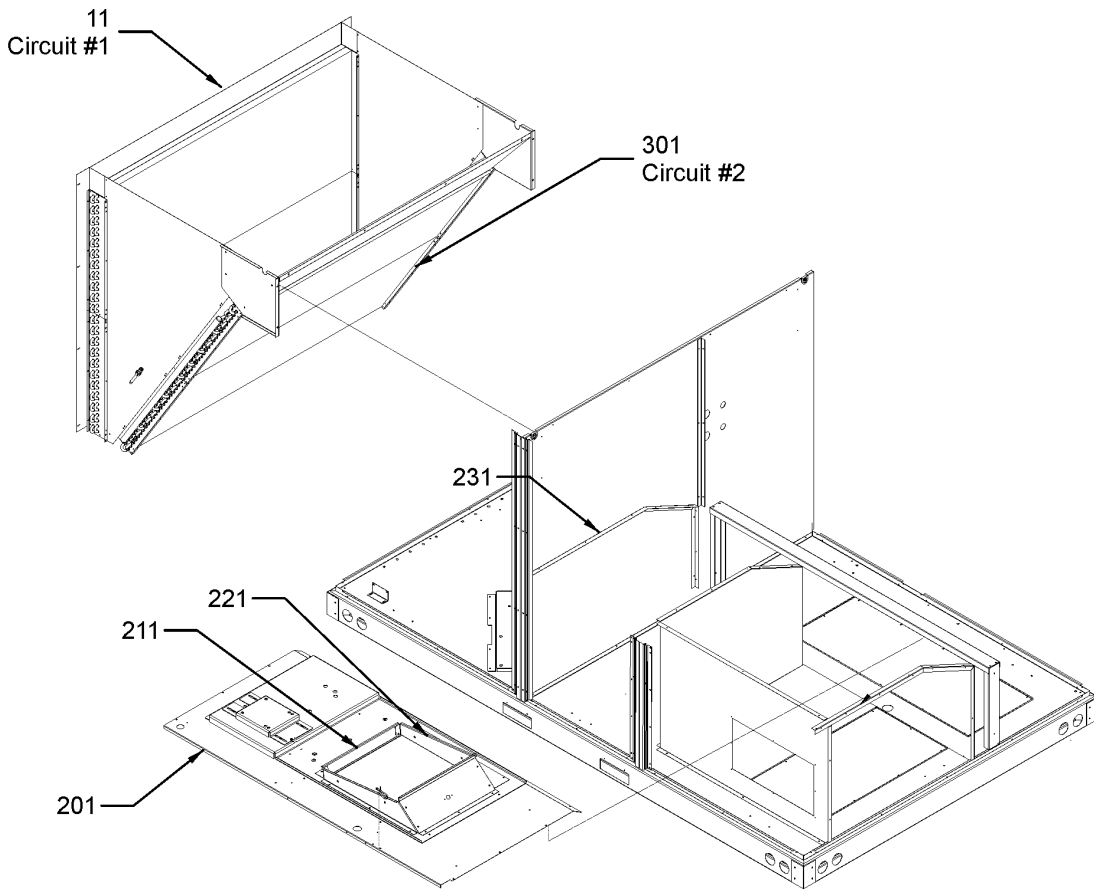
# Partition Assy

Ref. Part No:	No:	Description:	Ref. Part No:	No:	Description:
<i>Image 1:</i>					
21	0121L00650	FILTER ANGLE-VERTICAL (RETURN SIDE)			
31	0121L00210	EVAP EXTENSION-RETURN SIDE			
41	0121L00843	EXTENSION-EVAP HPIN			
51	0121L00649	FILTER ANGLE - HORIZONTAL (QTY 2)			
61	0121L00648	FILTER ANGLE - HORIZONTAL (CENTER)			
71	0121L00358	FILTER ANGLE-VERTICAL (HAIRPIN SIDE)			
81	0202L00007	TUBING ASSY, EVAP COIL			
111	0121L00508	DRAIN PAN SUPPORT			
121	0121L00103	MOUNTING ANGLE, DECK-DUCT SIDE			
141	0161L00002	DRAIN PAN			
151	0121L00374	DECK SIDE CHANNEL			
161	0121L00365	ELECTRIC HEAT PANEL			
171	0121L00168	BLOWER TRANSITION, RH END			
191	0121L00092	BLOWER TRANSITION, FRONT			
NS	0160L00021	FILTER (QTY 4)			
NS	0162L00011	FLOWRATOR [EVAP] (QTY 2)			

## Expanded Model Nomenclature

M1 - CPH120XXX3VXXXAA
M2 - CPH120XXX4VXXXAA
M3 - CPH120XXX7VXXXAA

# Compressor / Condenser / Partition Assy



# Compressor / Condenser / Partition Assy

Ref. Part No:	Ref. Part No:	Description:	Description:
---------------	---------------	--------------	--------------

Image 1:

11	0201L00015	TUBING ASSY, COND COIL
201	0121L00975	BLOWER DECK
211	0121L00169	BLOWER TRANSITION, LH END
221	0121L00094	BLOWER TRANSITION, BACK
231	0121L00102	MOUNTING ANGLE, DECK-COND SIDE
241	ZP51K5ETF5130	COMP,51000,208/230/60/3 (QTY 2)
251	0159L00005	COMPRESSOR SCROLL HARNESS
261	M0221641	TF SHOULDER SCREW (QTY 8)
271	B1339533	COMPRESSOR GROMMET (QTY 8)
281	0121L00408	COMPRESSOR MOUNTING PLATE (QTY 2)
291	0159L00004	COMPRESSOR SCROLL HARNESS
301	0201L00016	TUBING ASSY, COND COIL
NS	0162L00006	FLOWRATOR [COND]

Expanded Model Nomenclature

M1 - CPH120XXX3VXXXAA
M2 - CPH120XXX4VXXXAA
M3 - CPH120XXX7VXXXAA

# Blower Assembly and Control Box Assembly

Image 1

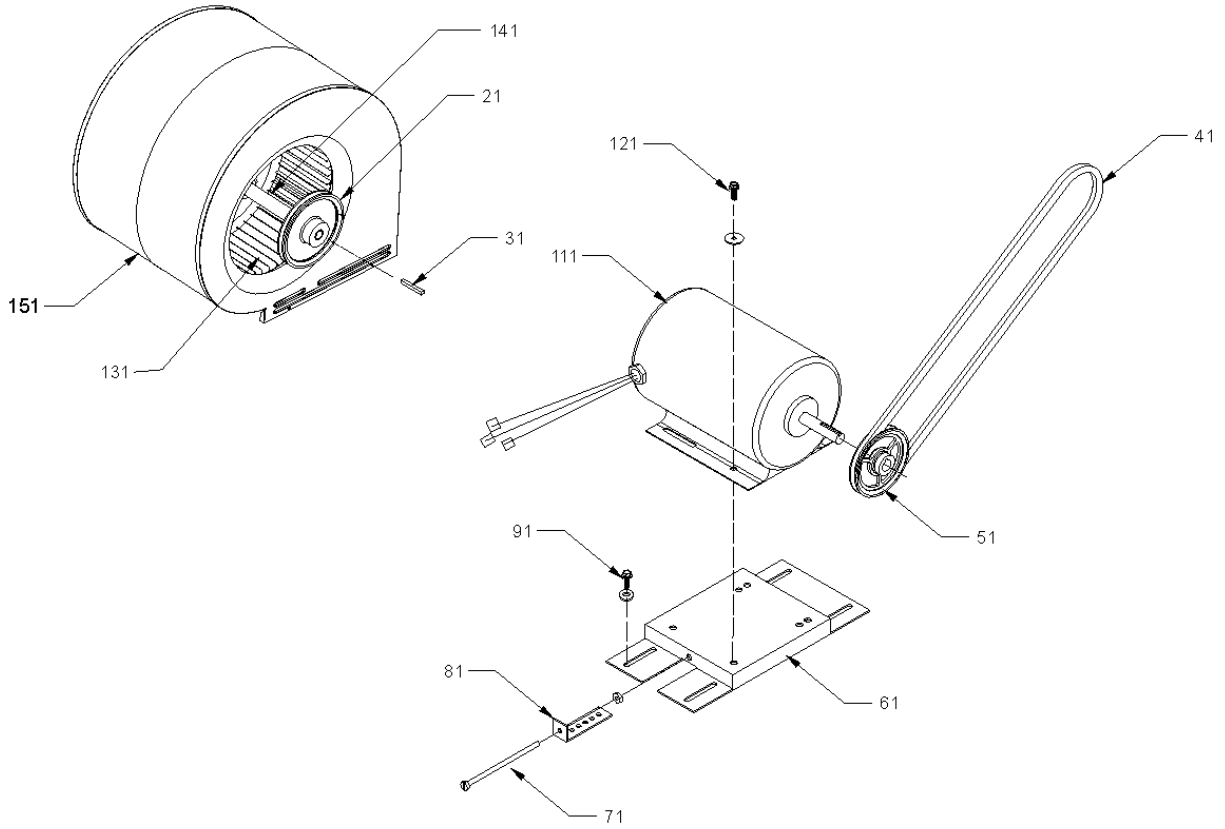


Image 2

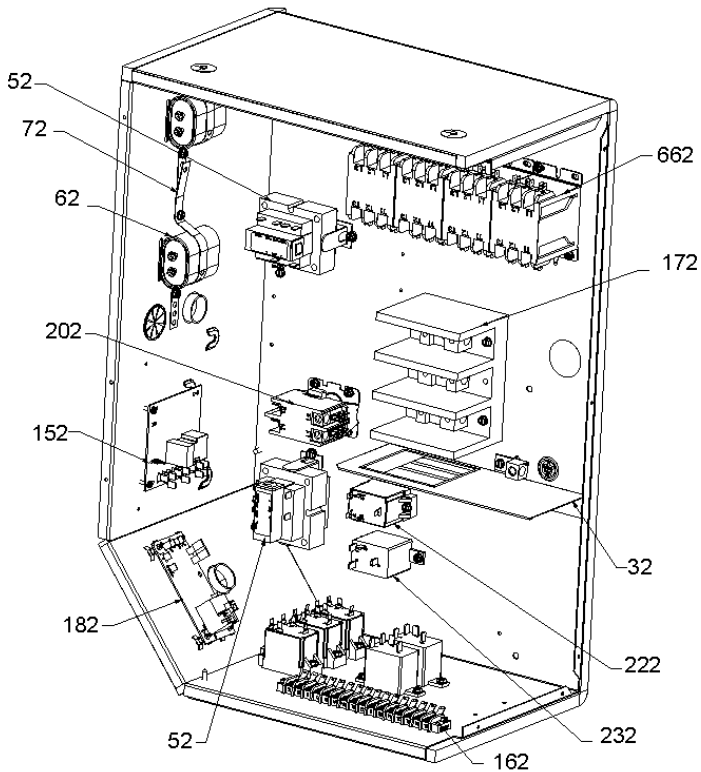
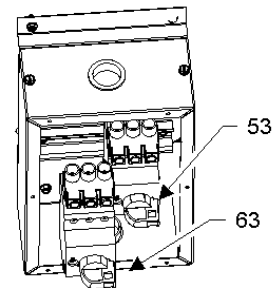


Image 3



# Blower Assembly and Control Box Assembly

Ref. Part No:	Ref. Part No:	Description:	Description:
<i>Image 1:</i>		<i>Image 3:</i>	
21	0163L00011	FIXED SHEAVE AK74	63 0130L00082 ROTARY MANUAL MOTOR PROTECTOR (M1, M2)
31	B1398604	STEEL KEY (000158812) 2.0"	NS 0259L00161 CIRCUIT BREAKER HARNESS
41	0164L00017	FAN BELT, NOTCHED	Expanded Model Nomenclature
51	0163L00012	VARIABLE PITCH SHEAVE VL40	M1 - CPH120XXX3VXXXAA
61	0270L00015	MOTOR BASE ASSY	M2 - CPH120XXX4VXXXAA
71	0163M00045	BOLT 1/4-20 X 4"	M3 - CPH120XXX7VXXXAA
81	3225000F	BELT TIGHTENER ANGLE	
91	B1446707	SCREW 5/16-18 X 1" (QTY 4)	
111	0131L00023	MOTOR, 2 HP BELT DRIVE 230V (M1)	
111	0131L00029	MOTOR, 2 HP BELT DRIVE 460 V (M2)	
111	0131L00026	MOTOR, 2 HP BELT DRIVE 575 V (M3)	
121	B1393738	BOLT 1/4-20 X 3/4" (QTY 5)	
131	03-78497	BLOWER WHEEL	
141	04-11526	BLOWER SHAFT	
151	04-01526	BLOWER HOUSING	
NS	04-02196	BEARING & FRAME ASSY	
NS	0259L00160	HARNESS-BELT DRIVE 2 SP MOTOR	
<i>Image 2:</i>			
32	0121G00491	VOLTAGE BARRIER	
52	B1141653	TRANSFORMER 480V, 75VA, RESETTABLE (M2)	
52	B1141672	TRANSFORMER 480V, 75VA, RESETTABLE (M1)	
52	0130M00045	TRANSFORMER, 575/24V (M3)	
62	CAP050000370VA	CAPACITOR 5/370V (QTY 2)	
72	20520901	CAPACITOR STRAP (QTY 2)	
152	PCBDM130	PCB, DEFROST CONTROL	
162	0130M00038	TERMINAL BOARD	
172	16330-3	POWER BLOCK	
182	PCBFM131	ELECTRONIC BLOWER TIME DELAY RELAY	
202	CONT2P040024V	CONTACTOR 40 AMP, 2P, 24V	
222	10135604	RELAY (QTY 4)	
232	0130M00025	24V RELAY (QTY 3)	
662	CONT3P025024V	CONTACTOR 25 AMP, 3P, 24V (QTY 4)	
NS	0259L00153	2 SPEED CONTROL HARNESS	
NS	0259L00154	2 Speed HP Harness	
NS	0259L00155	2 Speed Relay Harness	
NS	0259L00147	COND FAN/ TRANSFORMER HARNESS	
NS	0259L00159	DEFROST BOARD HARNESS	
NS	0259L00157	Defrost Relay Harness	
NS	0259L00032	LCM HARNESS, ELECTRIC HEAT	
NS	0259L00146	POWER HARNESS	
<i>Image 3:</i>			
53	0130L00070	ROTARY MANUAL MOTOR PROTECTOR (M2, M3)	
53	0130L00084	ROTARY MANUAL MOTOR PROTECTOR (M1)	
63	0130L00070	ROTARY MANUAL MOTOR PROTECTOR (M3)	