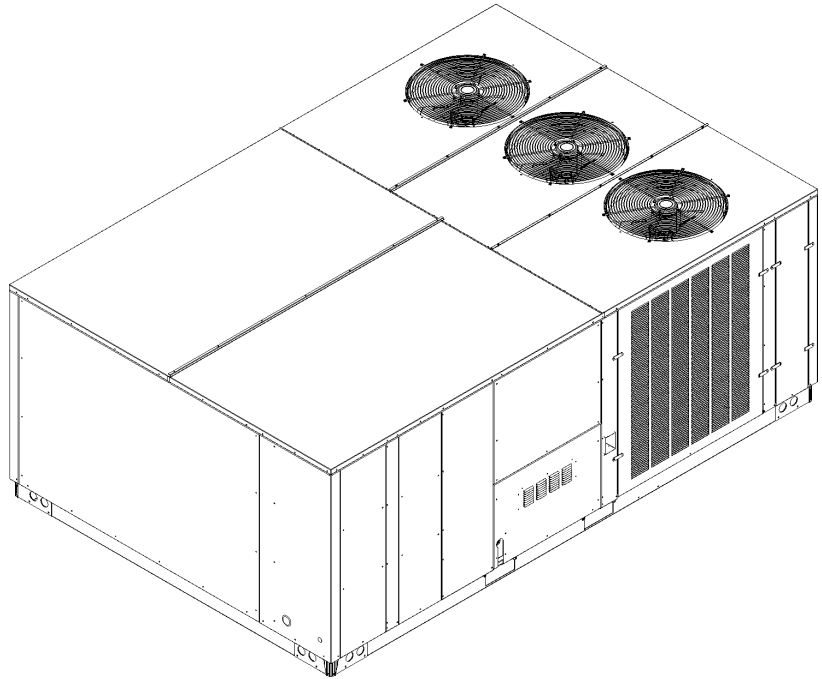


REPAIR PARTS

Commercial 20 Ton Package Gas Units

CPG2404003BAXBBA
CPG2404003BAXBBB
CPG2404003BJXNBA
CPG2404003BJXNBB
CPG2404003BJXOBA
CPG2404003BJXOBB
CPG2404003BXSXBA
CPG2404003BXSXBB
CPG2404003BXXBBA
CPG2404003BXXBBB
CPG2404003BXXXBA
CPG2404003BXXXBB
CPG2404003HAXBBA
CPG2404003HAXBBB
CPG2404004BAXCBA
CPG2404004BAXCBB
CPG2404004BAXXBB
CPG2404004BJXFBA
CPG2404004BXSABA
CPG2404004BXSABB
CPG2404004BXSXBA
CPG2404004BXSXBB
CPG2404004BXXXBA
CPG2404004BXXXBB
CPG2404004HXXXBA
CPG2404004HXXXBB
CPG2404007BAXXBB
CPG2404007BXSXBA
CPG2404007BXSXBB
CPG2404007BXXXBA
CPG2404007BXXXBB



This manual is to be used by qualified technicians only.

This manual replaces RP-699E.

© 2012-2013, 2015-2016 Goodman Manufacturing Company, L.P. ♦ 5151 San Felipe St., Suite 500 ♦ Houston, TX 77056

Important Information

Index

Functional Parts List	3
Illustration and Parts	4 - 25

Views shown are for parts illustrations only, not servicing procedures

Text Codes:

AR - As Required

NA - Not Available

NS - Not Shown

00000000 - See Note

QTY - Quantity Example (QTY 3) (If Quantity not shown, Quantity = 1)

M - Model Example (M1) (If M Code not shown, then part is used on all Models)

Expanded Model Nomenclature:

Example M1 - Model#1 M2 - Model#2 M3 - Model#3

Goodman Manufacturing Company, L.P. is not responsible for personal injury or property damage resulting from improper service. Review all service information before beginning repairs.

Warranty service must be performed by an authorized technician, using authorized factory parts. If service is required after the warranty expires, Goodman Manufacturing Company, L.P. also recommends contacting an authorized technician and using authorized factory parts.

Goodman Manufacturing Company, L.P. reserves the right to discontinue, or change at any time, specifications or designs without notice or without incurring obligations.

For assistance within the U.S.A. contact:
Consumer Affairs Department
Goodman Manufacturing Company, L.P.
7401 Security Way
Houston, Texas 77040
877-254-4729-Telephone
713-863-2382-Facsimile

For assistance outside the U.S.A. contact:
International Division
Goodman Manufacturing Company, L.P.
7401 Security Way
Houston, Texas 77040
713-861-2500-Telephone
713-863-2382-Facsimile

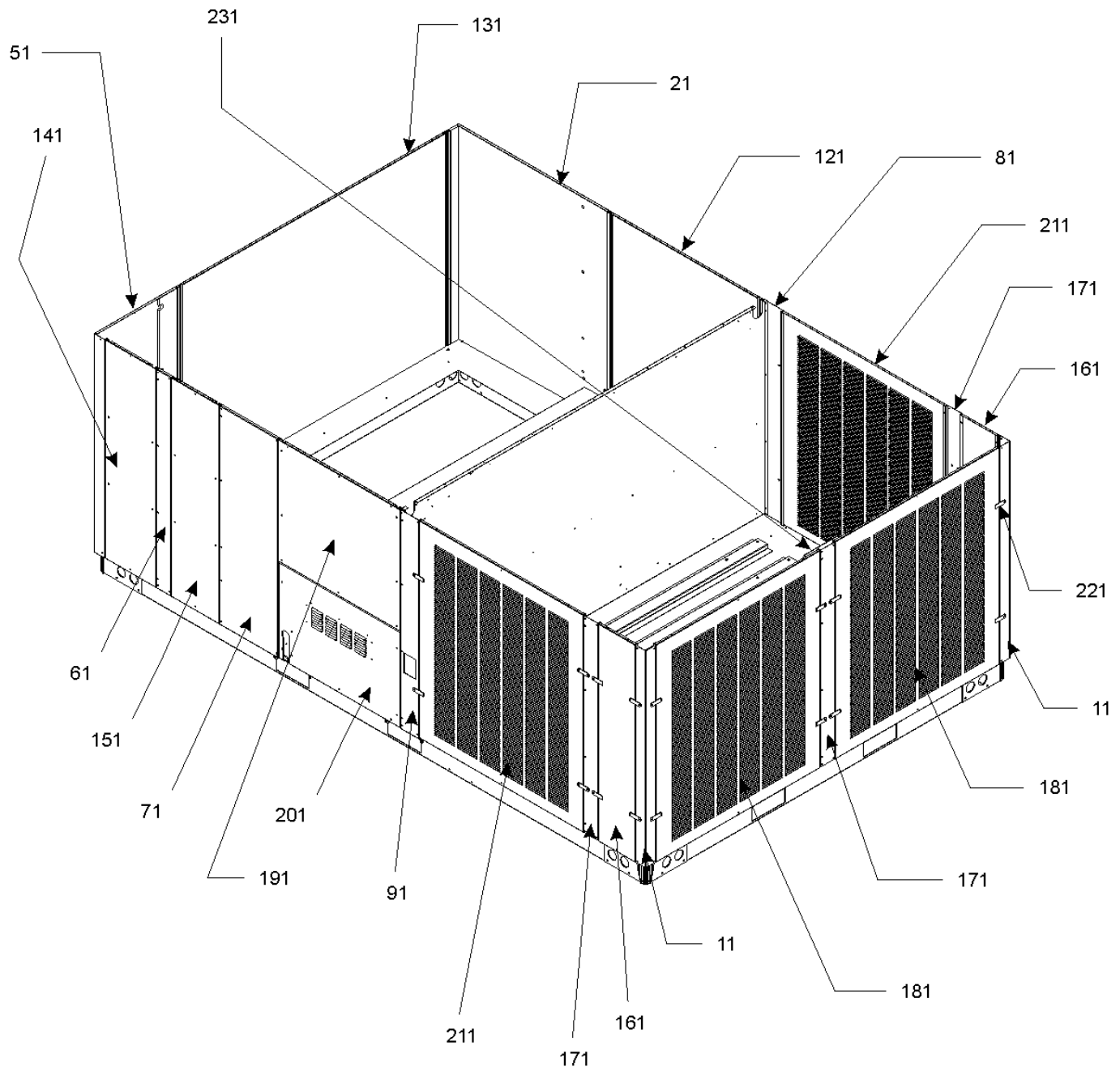
Functional Parts

Part

No: **Description:**

Part No:	Description:	Expanded Model Nomenclature
0130M00025	24V RELAY (QTY 3)	M1 - CPG2404003BAXBBA
CAP050000370LA	CAPACITOR 5/370V (QTY 3)	M2 - CPG2404003BAXBBB
ZP120KCETFE155	COMPRESSOR 121,000, 575/60/3 (M26, M27, M28, M29, M30)	M3 - CPG2404003BJXNBA
ZP120KCETF5250	COMPRESSOR 123,000, 200/230/60/3 (M1, M2, M3, M4, M5, M6, M7, M8, M9, M10, M11, M12, M13)	M4 - CPG2404003BJXNBB
ZP120KCETFD155	COMPRESSOR 123,000, 460/60/3 (M14, M15, M16, M17, M18, M19, M20, M21, M22, M23, M24, M25)	M5 - CPG2404003BJXOBA
0131M00430	COND MOTOR 1/3 HP, 1 SP, 6 PL (M1, M2, M3, M4, M5, M6, M7, M8, M9, M10, M11, M12, M13)	M6 - CPG2404003BJXOBB
B13400249	COND MOTOR 1/3 HP, 460V (M14, M15, M16, M17, M18, M19, M20, M21, M22, M23, M24, M25)	M7 - CPG2404003BXSXBA
0131M00179	COND MOTOR 1/3 HP, 6 PL, 575V (M26, M27, M28, M29, M30)	M8 - CPG2404003BXSXBB
CONT3P030024V	CONTACTOR 30 AMP, 3P, 24V	M9 - CPG2404003BXXBBA
CONT3P050024V	CONTACTOR 50 AMP, 3P, 24V (M1, M2, M3, M4, M5, M6, M7, M8, M9, M10, M11, M12, M13)	M10 - CPG2404003BXXBBB
0130L00020	CRANK CASE HEATER, 90W, 240V (M1, M2, M3, M4, M5, M6, M7, M8, M9, M10, M11, M12, M13)	M11 - CPG2404003BXXXBA
0130L00021	CRANK CASE HEATER, 90W, 480V (M14, M15, M16, M17, M18, M19, M20, M21, M22, M23, M24, M25)	M12 - CPG2404003BXXXBB
0130L00022	CRANK CASE HEATER, 90W, 575V (M26, M27, M28, M29, M30)	M13 - CPG2404003HAXBBB
0130M00074	CUT-OUT SWITCH, HIGH PRESSURE	M14 - CPG2404004BAXCBA
0130M00087	CUT-OUT SWITCH, LOW PRESSURE	M15 - CPG2404004BAXCBB
10625733	FAN BLADE 22" ALUM CCW (QTY 3)	M16 - CPG2404004BAXXBB
0130F00010	FLAME SENSOR	M17 - CPG2404004BJXFBA
PCBAG123	IGNITION BOARD, DSI INTEGRATED	M18 - CPG2404004BXSABA
20261709	IGNITOR	M19 - CPG2404004BXSABB
0131M00274	MOTOR 5.0 HP (M1, M2, M3, M4, M5, M6, M7, M8, M9, M10, M11, M12, M13, M14, M15, M16, M17, M18, M19, M20, M21, M22, M23, M24, M25)	M20 - CPG2404004BXSXBA
0131L00007	MOTOR-5 HP BELT DRIVE 575V 3P (M26, M27, M28, M29, M30)	M21 - CPG2404004BXSXBB
0164L00008	NOTCHED FAN BELT (M13, M24, M25)	M22 - CPG2404004BXXXBA
0164L00005	NOTCHED FAN BELT BX46	M23 - CPG2404004BXXXBB
11112501	PRESSURE SWITCH	M24 - CPG2404004HXXXBA
20162903	PRIMARY LIMIT - BLUE	M25 - CPG2404004HXXXBB
0130M00038	TERMINAL BOARD	M26 - CPG2404007BAXXBB
0130M00144	TRANSFORMER (M1, M2, M3, M4, M5, M6, M7, M8, M9, M10, M11, M12, M13)	M27 - CPG2404007BXSXBA
0130M00146	TRANSFORMER 480V TO 230V, 150VA (M14, M15, M16, M17, M18, M19, M20, M21, M22, M23, M24, M25)	M28 - CPG2404007BXSXBB
0130M00145	TRANSFORMER 480V to 24V, 75VA (M14, M15, M16, M17, M18, M19, M20, M21, M22, M23, M24, M25)	M29 - CPG2404007BXXXBA
0130M00147	TRANSFORMER 575V TO 230V, 150VA (M26, M27, M28, M29, M30)	M30 - CPG2404007BXXXBB
0130M00148	TRANSFORMER 575V to 24V, 75VA (M26, M27, M28, M29, M30)	
0151M00015	VALVE, GAS (HW) VR83	

Cabinet Assembly



Cabinet Assembly

**Ref. Part
No: No:**

Description:

**Ref. Part
No: No:**

Description:

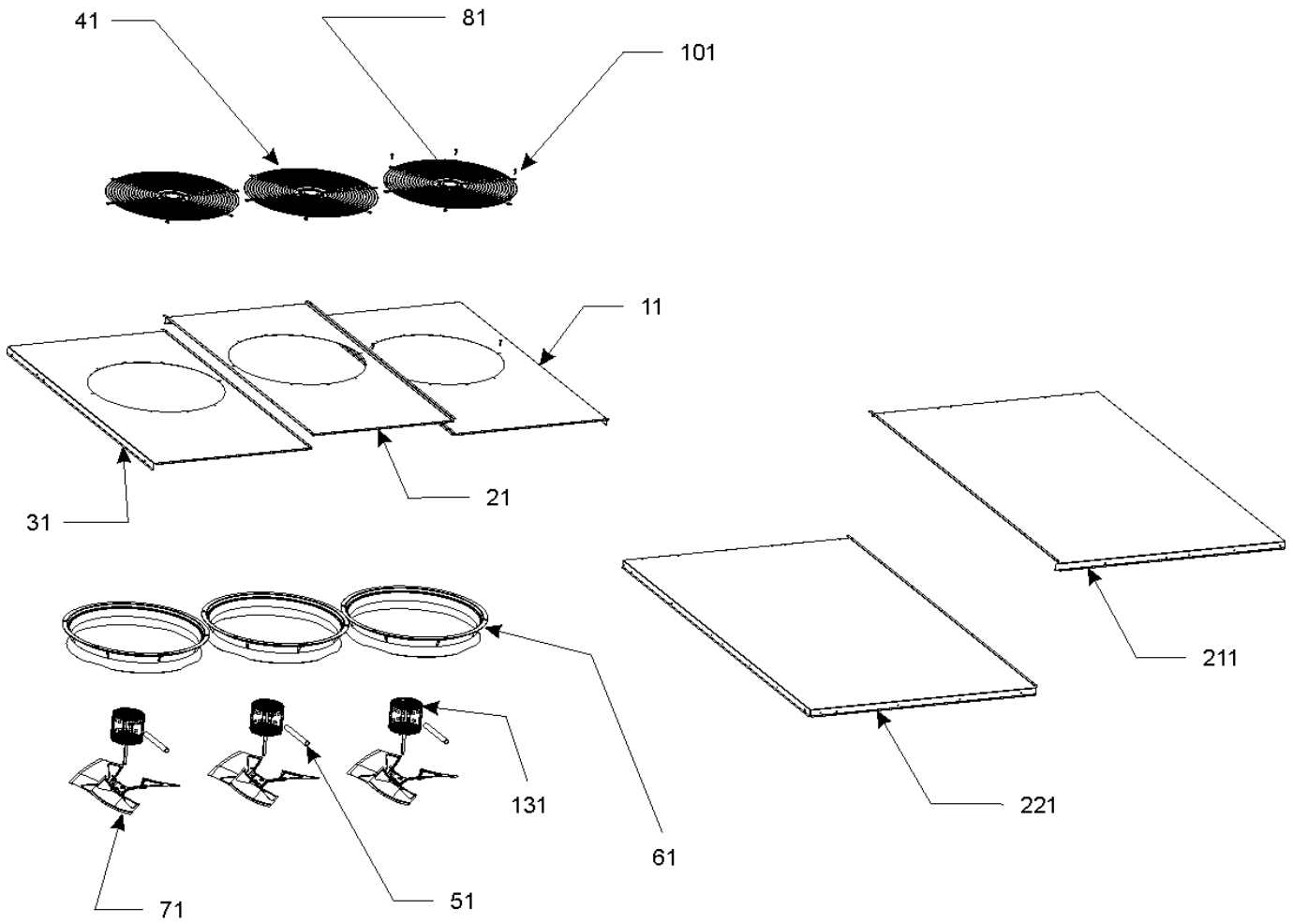
Image 1:

11	0121L00440DG	CORNER POST (QTY 2)
21	0121L00681DG	PNT, PANEL-EVARORATOR
51	0121L00679DG	PNT, PANEL-CONTROL CORNER
61	0121L00673DG	PNT, POST-CONTROL/FILTER
71	0121L00710DG	PNT, POST-BLOWER DOOR
81	0121L00903DG	PNT, POST-PARTITION, EVAP SIDE
91	0121L00904DG	PNT, POST-PARTITION, GAS FLUE
121	0121L00685DG	PNT, DOOR-BLOWER, EVAP SIDE
131	0121L00688DG	PNT, PANEL-ACCESSORY
141	0121L00687DG	CONTROL DOOR
151	0121L00686DG	PNT, DOOR-FILTER
161	0121L00907DG	PNT, PANEL-CONDENSER SIDE (QTY 2)
171	0121L00905DG	PNT, POST-COND PANELS (QTY 3)
181	0121L00537DG	LOUVER PANEL (QTY 2)
191	0121L00713DG	PNT, DOOR-BLOWER, GAS SIDE
201	0121L00712DG	BURNER DOOR
211	0152L00000	GRILLE-CONDENSER (QTY 2)
221	0121L00476DG	DOOR TURNBUCKLE (QTY 16)
231	0121L00580	CONDENSER POST BRACKET, CENTER
NS	0121L00562DG	COMBUSTION AIR HOOD
NS	M0204317	SCREW-MACHINE (QTY 16)

Expanded Model Nomenclature

M1 - CPG2404003BAXBBA
M2 - CPG2404003BAXBBB
M3 - CPG2404003BJXNBA
M4 - CPG2404003BJXNBB
M5 - CPG2404003BJXOBA
M6 - CPG2404003BJXOBB
M7 - CPG2404003BXSXBA
M8 - CPG2404003BXSXBB
M9 - CPG2404003BXXBBA
M10 - CPG2404003BXXBBB
M11 - CPG2404003BXXXBA
M12 - CPG2404003BXXXBB
M13 - CPG2404003HAXBBB
M14 - CPG2404004BAXCBA
M15 - CPG2404004BAXCBB
M16 - CPG2404004BAXXBB
M17 - CPG2404004BJXFBA
M18 - CPG2404004BXSABA
M19 - CPG2404004BXSABB
M20 - CPG2404004BXSXBA
M21 - CPG2404004BXSXBB
M22 - CPG2404004BXXXBA
M23 - CPG2404004BXXXBB
M24 - CPG2404004HXXXBA
M25 - CPG2404004HXXXBB
M26 - CPG2404007BAXXBB
M27 - CPG2404007BXSXBA
M28 - CPG2404007BXSXBB
M29 - CPG2404007BXXXBA
M30 - CPG2404007BXXXBB

Top Panel Assembly



Top Panel Assembly

Ref. Part No: No:	Description:	Ref. Part No: No:	Description:
-------------------	--------------	-------------------	--------------

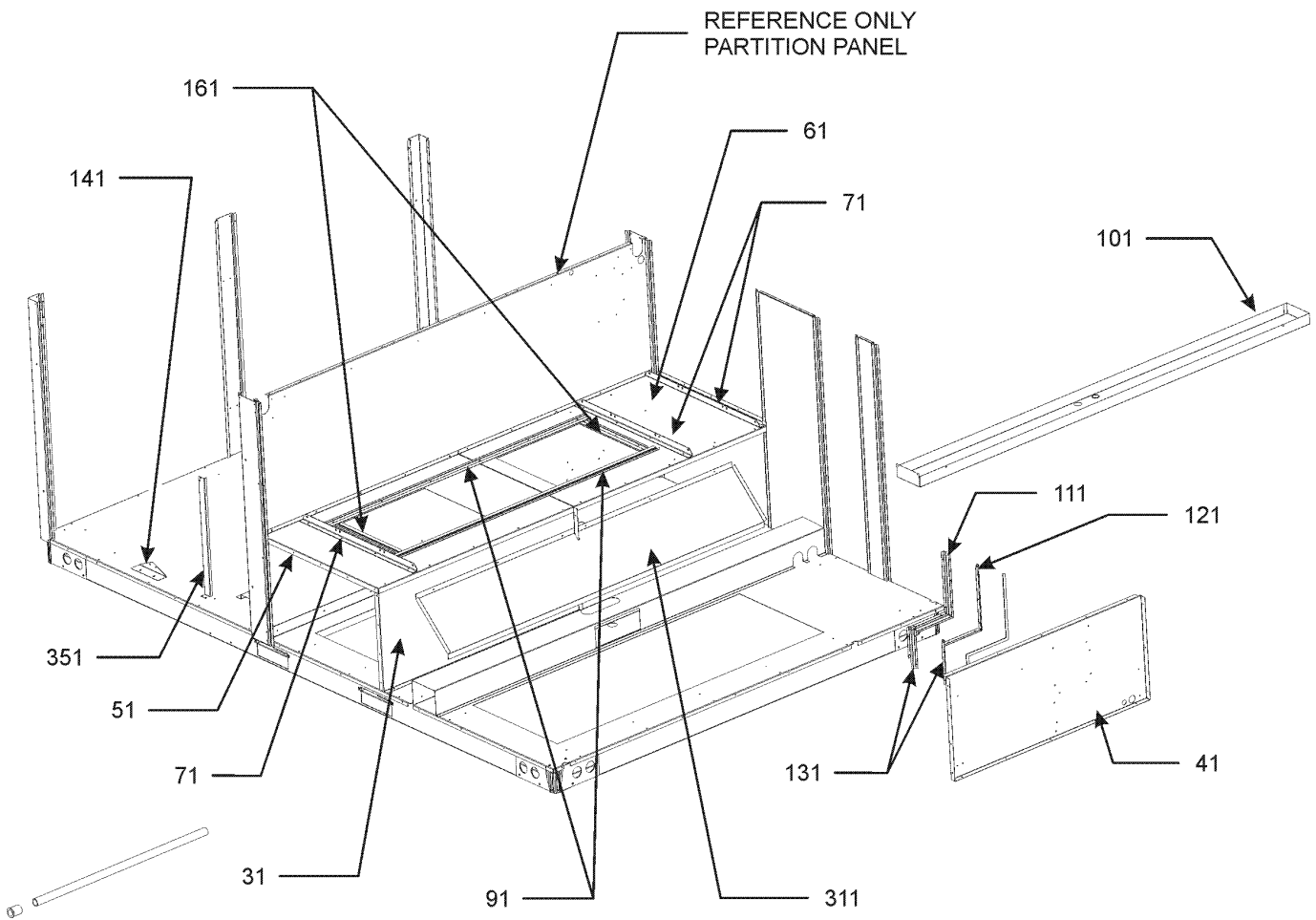
Image 1:

11	0121L00693DG	PNT, TOP-CONTROL SIDE
21	0121L01039DG	PNT, TOP-FAN, CENTER
31	0121L01040DG	PNT, TOP-FAN, EVAP SIDE
41	0152G00003	FAN GRILLE (QTY 3)
51	17788000083F	PVC CONDUIT 8.25" (QTY 3)
61	0161L00000	VENTURI RING 22" (QTY 3)
71	10625733	FAN BLADE 22" ALUM CCW (QTY 3)
81	0163M00006P	ACORN NUT 5/16 HEX BLACK (QTY 12)
101	0163M00004	SCREW #10X3/4", BLACK (QTY 36)
131	0131M00430	COND MOTOR 1/3 HP, 1 SP, 6 PL (M1, M2, M3, M4, M5, M6, M7, M8, M9, M10, M11, M12, M13)
131	B13400249	COND MOTOR 1/3 HP, 460V (M14, M15, M16, M17, M18, M19, M20, M21, M22, M23, M24, M25)
131	0131M00179	COND MOTOR 1/3 HP, 6 PL, 575V (M26, M27, M28, M29, M30)
211	0121L00693DG	TOP, CONTROL SIDE
221	0121L00694DG	TOP, EVAP SIDE
NS	0163M00005P	WASHER, BLACK (.50 OD .218ID) (QTY 12)

Expanded Model Nomenclature

- M1 - CPG2404003BAXBBA
- M2 - CPG2404003BAXBBB
- M3 - CPG2404003BJXNBA
- M4 - CPG2404003BJXNBB
- M5 - CPG2404003BJXOBA
- M6 - CPG2404003BJXOBB
- M7 - CPG2404003BXSXBA
- M8 - CPG2404003BXSXBB
- M9 - CPG2404003BXXBBA
- M10 - CPG2404003BXXBBB
- M11 - CPG2404003BXXXBA
- M12 - CPG2404003BXXXBB
- M13 - CPG2404003HAXBBB
- M14 - CPG2404004BAXCBA
- M15 - CPG2404004BAXCBB
- M16 - CPG2404004BAXXBB
- M17 - CPG2404004BJXFBA
- M18 - CPG2404004BXSABA
- M19 - CPG2404004BXSABB
- M20 - CPG2404004BXSXBA
- M21 - CPG2404004BXSXBB
- M22 - CPG2404004BXXXBA
- M23 - CPG2404004BXXXBB
- M24 - CPG2404004HXXXBA
- M25 - CPG2404004HXXXBB
- M26 - CPG2404007BAXXBB
- M27 - CPG2404007BXSXBA
- M28 - CPG2404007BXSXBB
- M29 - CPG2404007BXXXBA
- M30 - CPG2404007BXXXBB

Partition Assembly



Partition Assembly

Ref. Part No: No:	Description:	Ref. Part No: No:	Description:
-------------------	--------------	-------------------	--------------

Image 1:

31	0121L01163	DECK-SIDE, DUCT END
41	0121L01162	BLOWER DECK SIDE, HT END
51	0121L01160	BLOWER DECK, EVAP SIDE
61	0121L01161	BLOWER DECK, MOTOR SIDE
71	0121L00714	MOTOR MOUNT ANGLE (QTY 3)
91	0121L00478	BLOWER DECK RAIL (QTY 2)
101	0270L00612DG	WELDMENT-DRAIN PAN
111	0121L00551	HEAT EXCHANGER ANGLE, RH SIDE
121	0121L00552	HEAT EXCHANGER ANGLE, LH SIDE
131	0121L00553	LOWER HEAT EXCHANGER ANGLE (QTY 2)
141	0121L00913	BRACKET-COND/BASEPAN (QTY 2)
161	0121L00481	BLOWER RAIL (QTY 2)
311	0121L00807	SHIELD-BLOWOFF
351	0121L00901	BRACE-COND COILS (QTY 2)

Expanded Model Nomenclature

- M1 - CPG2404003BAXBBA
- M2 - CPG2404003BAXBBB
- M3 - CPG2404003BJXNBA
- M4 - CPG2404003BJXNBB
- M5 - CPG2404003BJXOBA
- M6 - CPG2404003BJXOBB
- M7 - CPG2404003BXSXBA
- M8 - CPG2404003BXSXBB
- M9 - CPG2404003BXXBBA
- M10 - CPG2404003BXXBBB
- M11 - CPG2404003BXXXBA
- M12 - CPG2404003BXXXBB
- M13 - CPG2404003HAXBBB
- M14 - CPG2404004BAXCBA
- M15 - CPG2404004BAXCBB
- M16 - CPG2404004BAXXBB
- M17 - CPG2404004BJXFBA
- M18 - CPG2404004BXSABA
- M19 - CPG2404004BXSABB
- M20 - CPG2404004BXSXBA
- M21 - CPG2404004BXSXBB
- M22 - CPG2404004BXXXBA
- M23 - CPG2404004BXXXBB
- M24 - CPG2404004HXXXBA
- M25 - CPG2404004HXXXBB
- M26 - CPG2404007BAXXBB
- M27 - CPG2404007BXSXBA
- M28 - CPG2404007BXSXBB
- M29 - CPG2404007BXXXBA
- M30 - CPG2404007BXXXBB

Basepan / Compressor / Tubing Assembly

Image 1

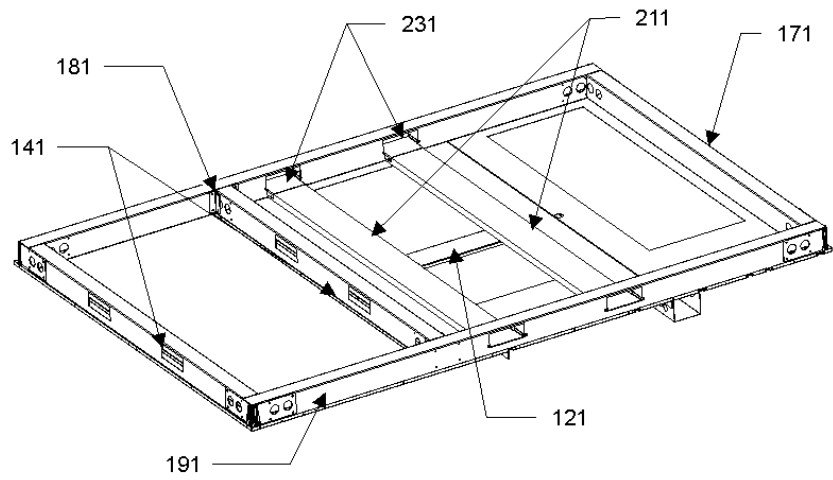
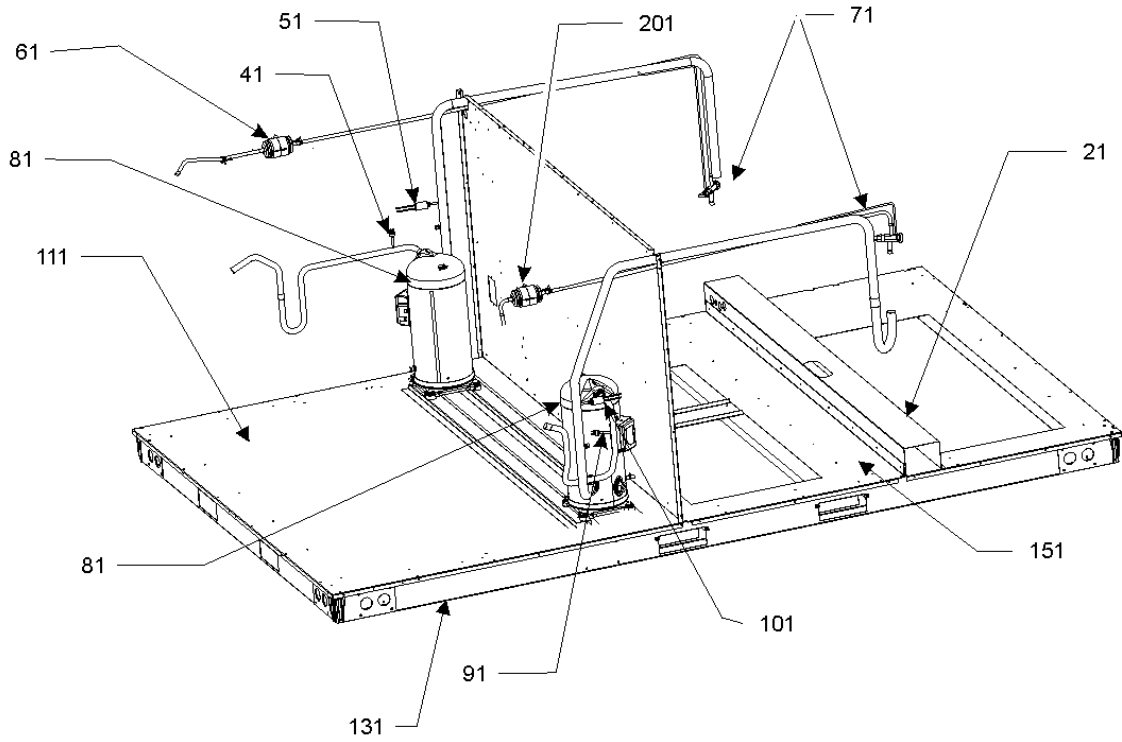


Image 2

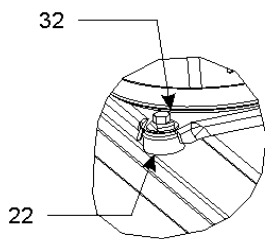
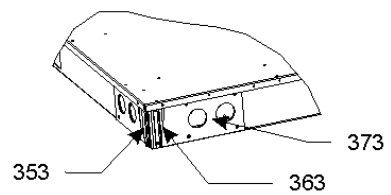


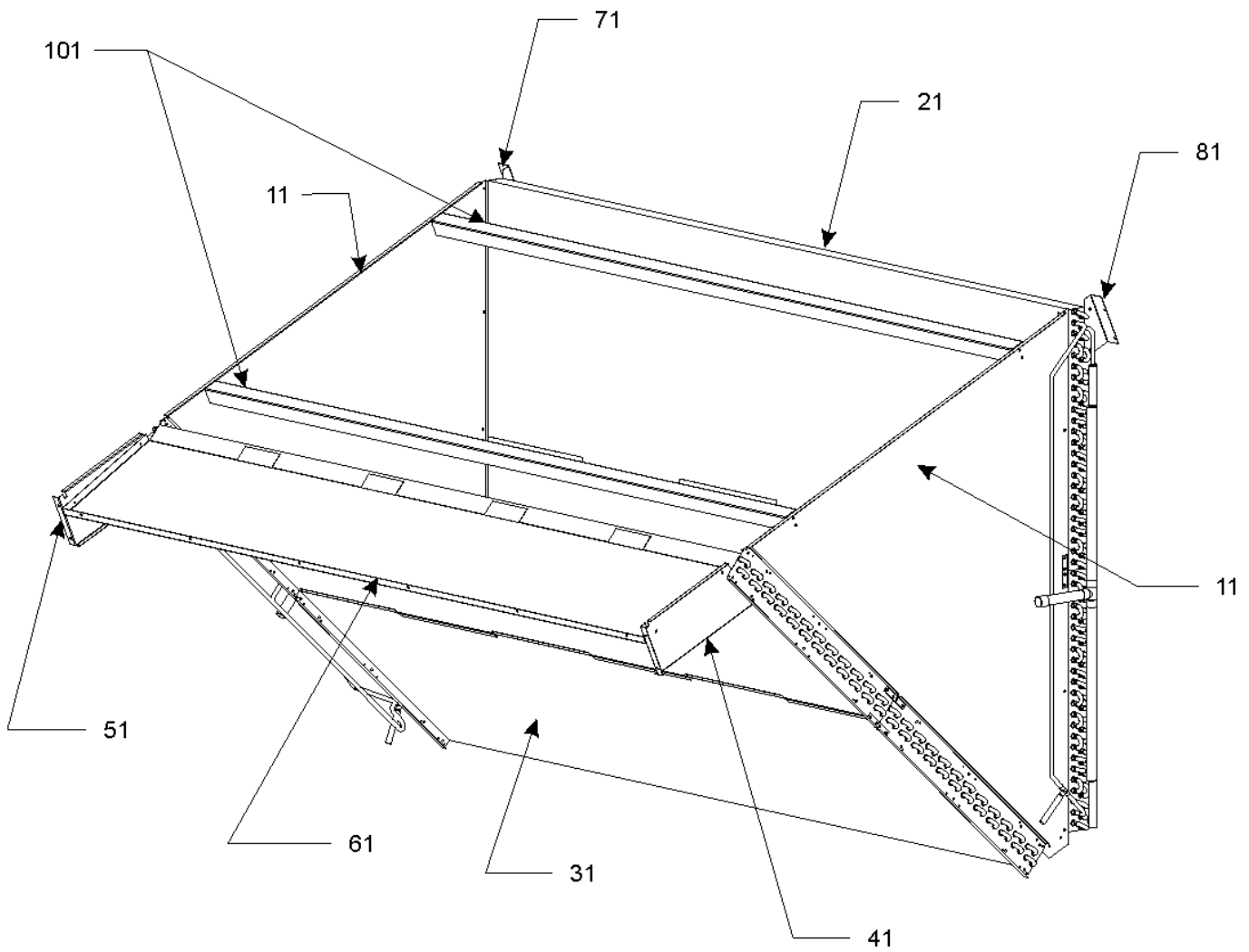
Image 3



Basepan / Compressor / Tubing Assembly

Ref. Part No: No:	Description:	Ref. Part No: No:	Description:
Image 1:		Expanded Model Nomenclature	
21	0121L00947	BASEPAN, RETURN SIDE	M1 - CPG2404003BAXBBA
41	0130M00074	CUT-OUT SWITCH, HIGH PRESSURE	M2 - CPG2404003BAXBBB
51	0130M00087	CUT-OUT SWITCH, LOW PRESSURE	M3 - CPG2404003BJXNBA
61	0151M00012	BI-FLOW FILTER DRIER	M4 - CPG2404003BJXNBB
71	0151L00011	VALVE, TXV R-410A (QTY 8)	M5 - CPG2404003BJXOBA
81	ZP120KCETFE155	COMPRESSOR 121,000, 575/60/3 (M26, M27, M28, M29, M30)	M6 - CPG2404003BJXOBB
81	ZP120KCETF5250	COMPRESSOR 123,000, 200/230/60/3 (M1, M2, M3, M4, M5, M6, M7, M8, M9, M10, M11, M12, M13)	M7 - CPG2404003BXSXBA
81	ZP120KCETFD155	COMPRESSOR 123,000, 460/60/3 (M14, M15, M16, M17, M18, M19, M20, M21, M22, M23, M24, M25)	M8 - CPG2404003BXSXBB
91	0130M00074	CUT-OUT SWITCH, HIGH PRESSURE	M9 - CPG2404003BXXBBA
101	0130M00087	CUT-OUT SWITCH, LOW PRESSURE	M10 - CPG2404003BXXBBB
111	0121L00902	BASEPAN , OUTDOOR	M11 - CPG2404003BXXXBA
121	0121L00605	FORK BOARD PLATE	M12 - CPG2404003BXXXBB
131	0121L00720	SIDE RAIL	M13 - CPG2404003HAXBBB
141	0121L00721	BASE RAIL, CONDENSER END (QTY 2)	M14 - CPG2404004BAXCBA
151	0121L00948	BASEPAN, SUPPLY	M15 - CPG2404004BAXCBB
171	0121L00722	BASE RAIL, ACCESSORY END	M16 - CPG2404004BAXXBB
181	0121L00625	COMPRESSOR RAIL BRACKET (QTY 4)	M17 - CPG2404004BJXFBA
191	0121L00719	CONTROL SIDE BASE RAIL	M18 - CPG2404004BXSABA
201	0151M00012	BI-FLOW FILTER DRIER	M19 - CPG2404004BXSABB
211	0141L00029	FORK BOARD (QTY 2)	M20 - CPG2404004BXSXBA
231	0121L00724	FORK BOARD BRACKET (QTY 4)	M21 - CPG2404004BXSXBB
NS	0163M00175	CAP WITH O-RING (QTY 4)	M22 - CPG2404004BXXXBA
NS	0159L00044	COMPRESSOR SCROLL HARNESS (M14, M15, M16, M17, M18, M19, M20, M21, M22, M23, M24, M25, M26, M27, M28, M29, M30)	M23 - CPG2404004BXXXBB
NS	0159L00045	COMPRESSOR SCROLL HARNESS (M14, M15, M16, M17, M18, M19, M20, M21, M22, M23, M24, M25, M26, M27, M28, M29, M30)	M24 - CPG2404004HXXXBA
NS	0159L00048	COMPRESSOR SCROLL HARNESS (M1, M2, M3, M4, M5, M6, M7, M8, M9, M10, M11, M12, M13)	M25 - CPG2404004HXXXBB
NS	0159L00049	COMPRESSOR SCROLL HARNESS (M1, M2, M3, M4, M5, M6, M7, M8, M9, M10, M11, M12, M13)	M26 - CPG2404007BAXXBB
NS	0130L00020	CRANK CASE HEATER, 90W, 240V (M1, M2, M3, M4, M5, M6, M7, M8, M9, M10, M11, M12, M13)	M27 - CPG2404007BXSXBA
NS	0130L00021	CRANK CASE HEATER, 90W, 480V (M14, M15, M16, M17, M18, M19, M20, M21, M22, M23, M24, M25)	M28 - CPG2404007BXSXBB
NS	0130L00022	CRANK CASE HEATER, 90W, 575V (M26, M27, M28, M29, M30)	M29 - CPG2404007BXXXBA
			M30 - CPG2404007BXXXBB
Image 2:			
22	0164M00018	COMPRESSOR GROMMET (QTY 8)	
32	B1393740	COMPRESSOR BOLT & SLEEVE (QTY 8)	
Image 3:			
353	0121L00616	RAIL BRACE ANGLE, RIGHT (QTY 4)	
363	0121L00617	RAIL BRACE ANGLE, LEFT (QTY 4)	
373	0121L00723	BASE RAIL CORNER BRACE (QTY 4)	

Condenser Assembly



Condenser Assembly

Ref. Part No: No:	Description:	Ref. Part No: No:	Description:
-------------------	--------------	-------------------	--------------

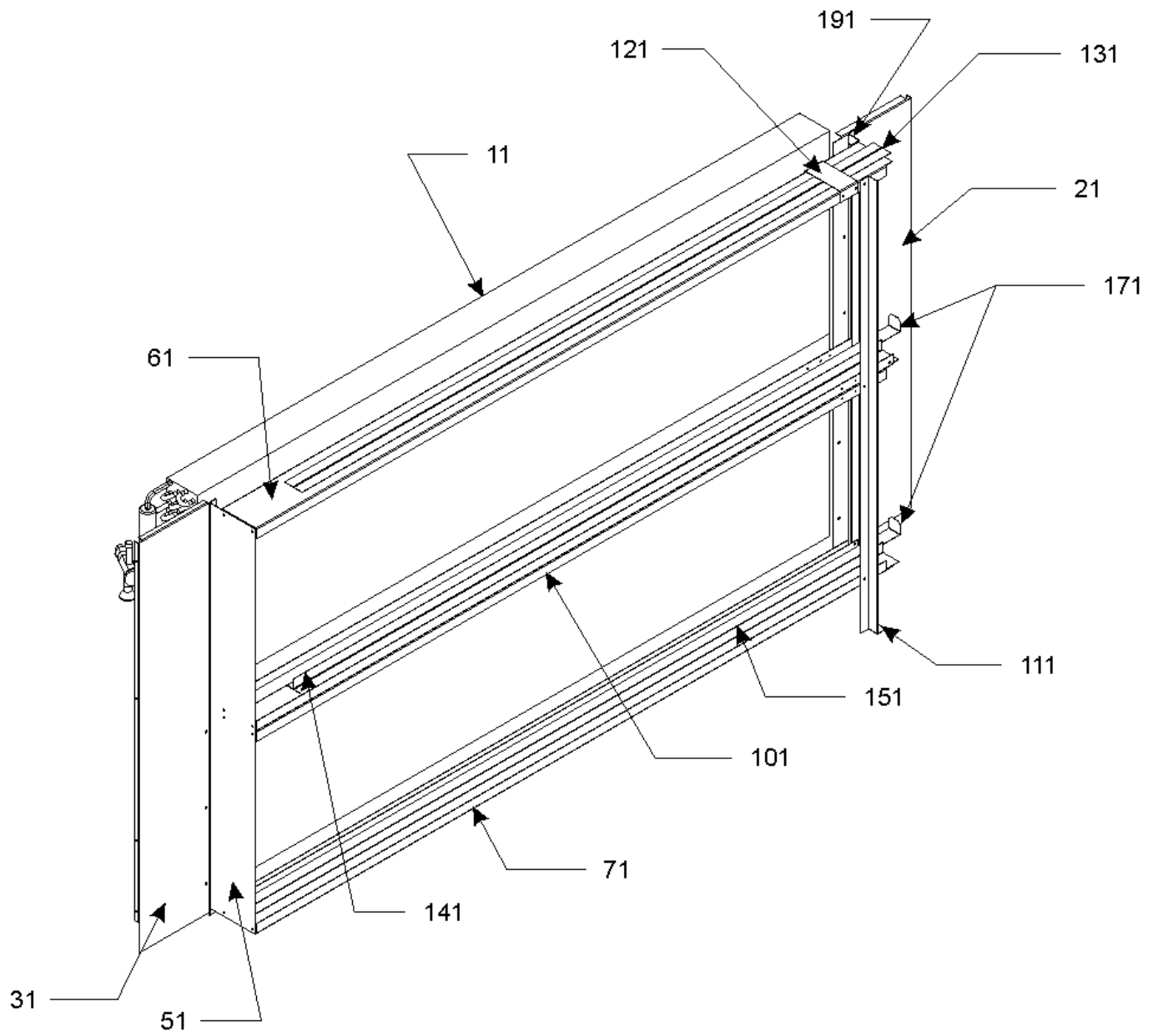
Image 1:

11	0121L00854	END COVER-CONDENSER (QTY 2)
21	0201L00151	CONDENSER COIL ASSY C1 (M1, M2, M3, M4, M5, M6, M7, M8, M9, M10, M11, M12, M13, M16, M17, M20, M21, M22, M23, M24, M25, M26, M27, M28, M29, M30)
21	0201L00123	CONDENSER COIL ASSY, C1 (M14, M15, M18, M19)
31	0201L00124	CONDENSER COIL ASSY C2 (M14, M15, M18, M19)
31	0201L00152	CONDENSER COIL ASSY C2 (M1, M2, M3, M4, M5, M6, M7, M8, M9, M10, M11, M12, M13, M16, M17, M20, M21, M22, M23, M24, M25, M26, M27, M28, M29, M30)
41	0121L01154	BRACKET-CONDENSER END, C1
51	0121L01156	BRACKET-CONDENSER END, C2
61	0121L00572	CONDENSER BLOCKOFF, INSIDE TOP
71	0121L01155	BRACKET-COND/POST, C1
81	0121L01153	BRACKET-COND/POST, C2
101	0121L01037	ANGLE, TOP BRACE (QTY 2)

Expanded Model Nomenclature

- M1 - CPG2404003BAXBBA
- M2 - CPG2404003BAXBBB
- M3 - CPG2404003BJXNBA
- M4 - CPG2404003BJXNBB
- M5 - CPG2404003BJXOBA
- M6 - CPG2404003BJXOBB
- M7 - CPG2404003BXSXBA
- M8 - CPG2404003BXSXBB
- M9 - CPG2404003BXXBBA
- M10 - CPG2404003BXXBBB
- M11 - CPG2404003BXXXBA
- M12 - CPG2404003BXXXBB
- M13 - CPG2404003HAXBBB
- M14 - CPG2404004BAXCBA
- M15 - CPG2404004BAXCBB
- M16 - CPG2404004BAXXBB
- M17 - CPG2404004BJXFBA
- M18 - CPG2404004BXSABA
- M19 - CPG2404004BXSABB
- M20 - CPG2404004BXSXBA
- M21 - CPG2404004BXSXBB
- M22 - CPG2404004BXXXBA
- M23 - CPG2404004BXXXBB
- M24 - CPG2404004HXXXBA
- M25 - CPG2404004HXXXBB
- M26 - CPG2404007BAXXBB
- M27 - CPG2404007BXSXBA
- M28 - CPG2404007BXSXBB
- M29 - CPG2404007BXXXBA
- M30 - CPG2404007BXXXBB

Evaporator Assembly



Evaporator Assembly

Ref. Part No: No:	Description:	Ref. Part No: No:	Description:
-------------------	--------------	-------------------	--------------

Image 1:

11	0202L00047	EVAPORATOR COIL ASSY (QTY 2)
21	0121L00698	EVAPORATOR BLOCKOFF PANEL
31	0121L00848	PANEL-EVAPORATOR, SMOKE DET
51	0121L00933	ANGLE-FILTER, LEFT VERTICAL
61	0121L00629	TOP FILTER RACK
71	0121L00701	BOTTOM FILTER RACK
101	0270L00230	CENTER FILTER RACK
111	0121L00632	FILTER SUPPORT ANGLE
121	0121L00634	TOP ANGLE BRACKET
131	0270L00271	WELDMENT-TOP SLIDER
141	0270L00232	CENTER SLIDER
151	0121L00627	BOTTOM SLIDER (QTY 2)
171	0121L00640	FILTER PULL (QTY 2)
191	0121L00702	RIGHT SIDE BLOCKOFF, FILTER RACK
NS	B1369611	AIR FILTER 20 X 25 X 2 (QTY 6)
NS	0121L00703	BOTTOM BLOCKOFF, FILTER RACK

Expanded Model Nomenclature

- M1 - CPG2404003BAXBBA
- M2 - CPG2404003BAXBBB
- M3 - CPG2404003BJXNBA
- M4 - CPG2404003BJXNBB
- M5 - CPG2404003BJXOBA
- M6 - CPG2404003BJXOBB
- M7 - CPG2404003BXSXBA
- M8 - CPG2404003BXSXBB
- M9 - CPG2404003BXXBBA
- M10 - CPG2404003BXXBBB
- M11 - CPG2404003BXXXBA
- M12 - CPG2404003BXXXBB
- M13 - CPG2404003HAXBBA
- M14 - CPG2404004BAXCBA
- M15 - CPG2404004BAXCBB
- M16 - CPG2404004BAXXBB
- M17 - CPG2404004BJXFBA
- M18 - CPG2404004BXSABA
- M19 - CPG2404004BXSABB
- M20 - CPG2404004BXSXBA
- M21 - CPG2404004BXSXBB
- M22 - CPG2404004BXXXBA
- M23 - CPG2404004BXXXBB
- M24 - CPG2404004HXXXBA
- M25 - CPG2404004HXXXBB
- M26 - CPG2404007BAXXBB
- M27 - CPG2404007BXSXBA
- M28 - CPG2404007BXSXBB
- M29 - CPG2404007BXXXBA
- M30 - CPG2404007BXXXBB

Blower Assembly

Image 1

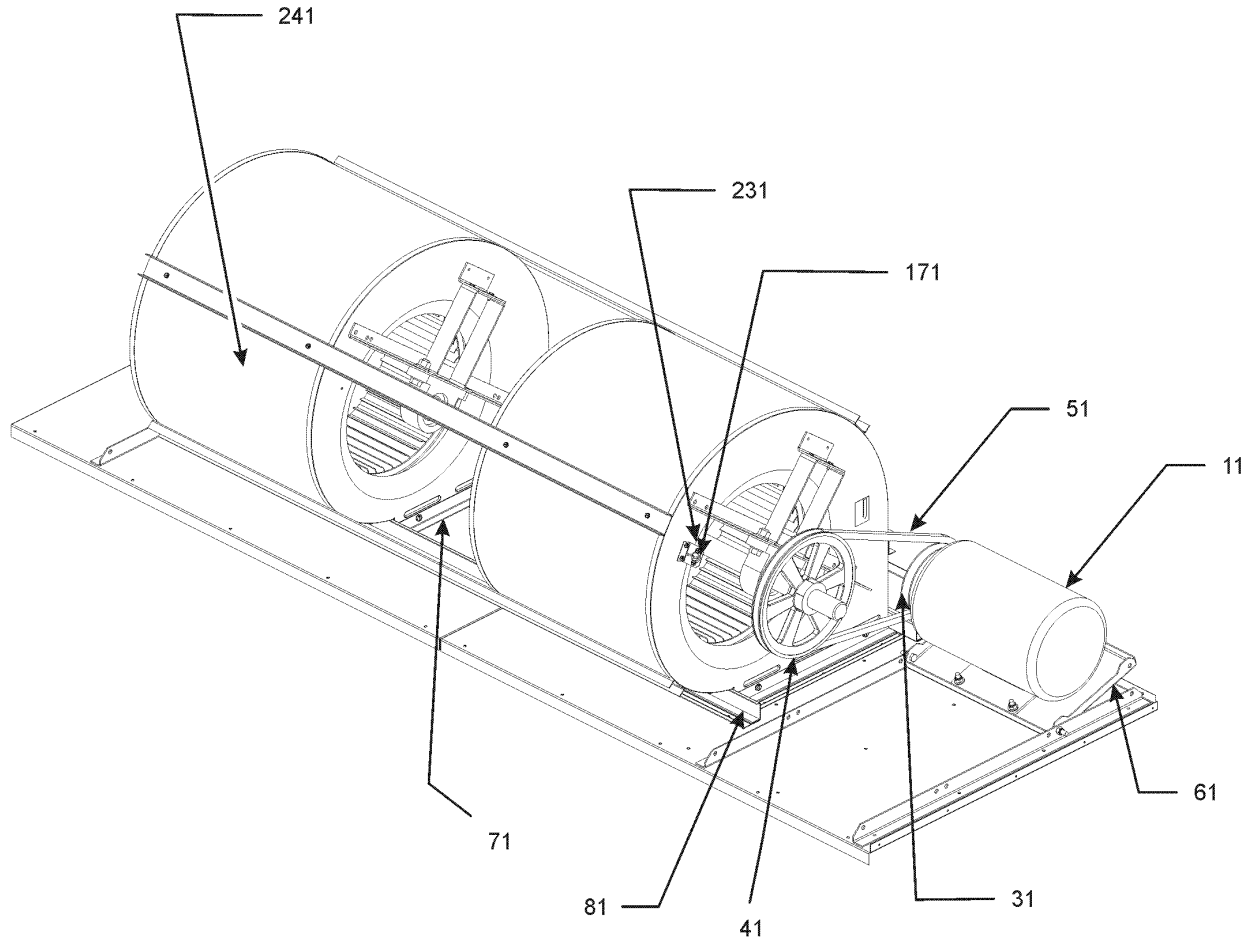
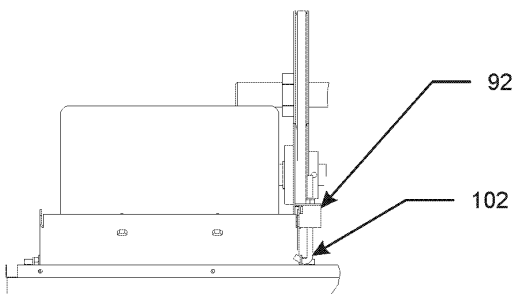


Image 2



Blower Assembly

Ref. Part No:	Ref. Part No:	Description:	Description:
---------------	---------------	--------------	--------------

Image 1:

11	0131M00274	MOTOR 5.0 HP (M1, M2, M3, M4, M5, M6, M7, M8, M9, M10, M11, M12, M13, M14, M15, M16, M17, M18, M19, M20, M21, M22, M23, M24, M25)
11	0131L00007	MOTOR-5 HP BELT DRIVE 575V 3P (M26, M27, M28, M29, M30)
31	0163L00037	VARIABLE PITCH SHEAVE
41	0163L00036	FIXED SHEAVE
41	0163L00038	SHEAVE-FIXED (M13, M24, M25)
51	0164L00008	NOTCHED FAN BELT (M13, M24, M25)
51	0164L00005	NOTCHED FAN BELT BX46
61	0121L00555	MOTOR BASE PLATE
71	0121L00482	BLOWER SIDE ANGLE (QTY 4)
81	0121L00479	BLOWER RAIL (QTY 2)
171	0130M00064	LIMIT
231	0121L00594	SECONDARY LIMIT BRACKET
241	0271L00027	150-15R BD 1.44 TWIN BLOWER

Image 2:

92	0121L00557	MOTOR ADJUST BRACKET
102	0163L00034	HOOKEB BOLT

Expanded Model Nomenclature

- M1 - CPG2404003BAXBBA
- M2 - CPG2404003BAXBBB
- M3 - CPG2404003BJXNBA
- M4 - CPG2404003BJXNBB
- M5 - CPG2404003BJXOBA
- M6 - CPG2404003BJXOBB
- M7 - CPG2404003BXSXBA
- M8 - CPG2404003BXSXBB
- M9 - CPG2404003BXXBBA
- M10 - CPG2404003BXXBBB
- M11 - CPG2404003BXXXBA
- M12 - CPG2404003BXXXBB
- M13 - CPG2404003HAXBBB
- M14 - CPG2404004BAXCBA
- M15 - CPG2404004BAXCBB
- M16 - CPG2404004BAXXBB
- M17 - CPG2404004BJXFBA
- M18 - CPG2404004BXSABA
- M19 - CPG2404004BXSABB
- M20 - CPG2404004BXSXBA
- M21 - CPG2404004BXSXBB
- M22 - CPG2404004BXXXBA
- M23 - CPG2404004BXXXBB
- M24 - CPG2404004HXXXBA
- M25 - CPG2404004HXXXBB
- M26 - CPG2404007BAXXBB
- M27 - CPG2404007BXSXBA
- M28 - CPG2404007BXSXBB
- M29 - CPG2404007BXXXBA
- M30 - CPG2404007BXXXBB

Heat Exchanger Assembly

Image 1

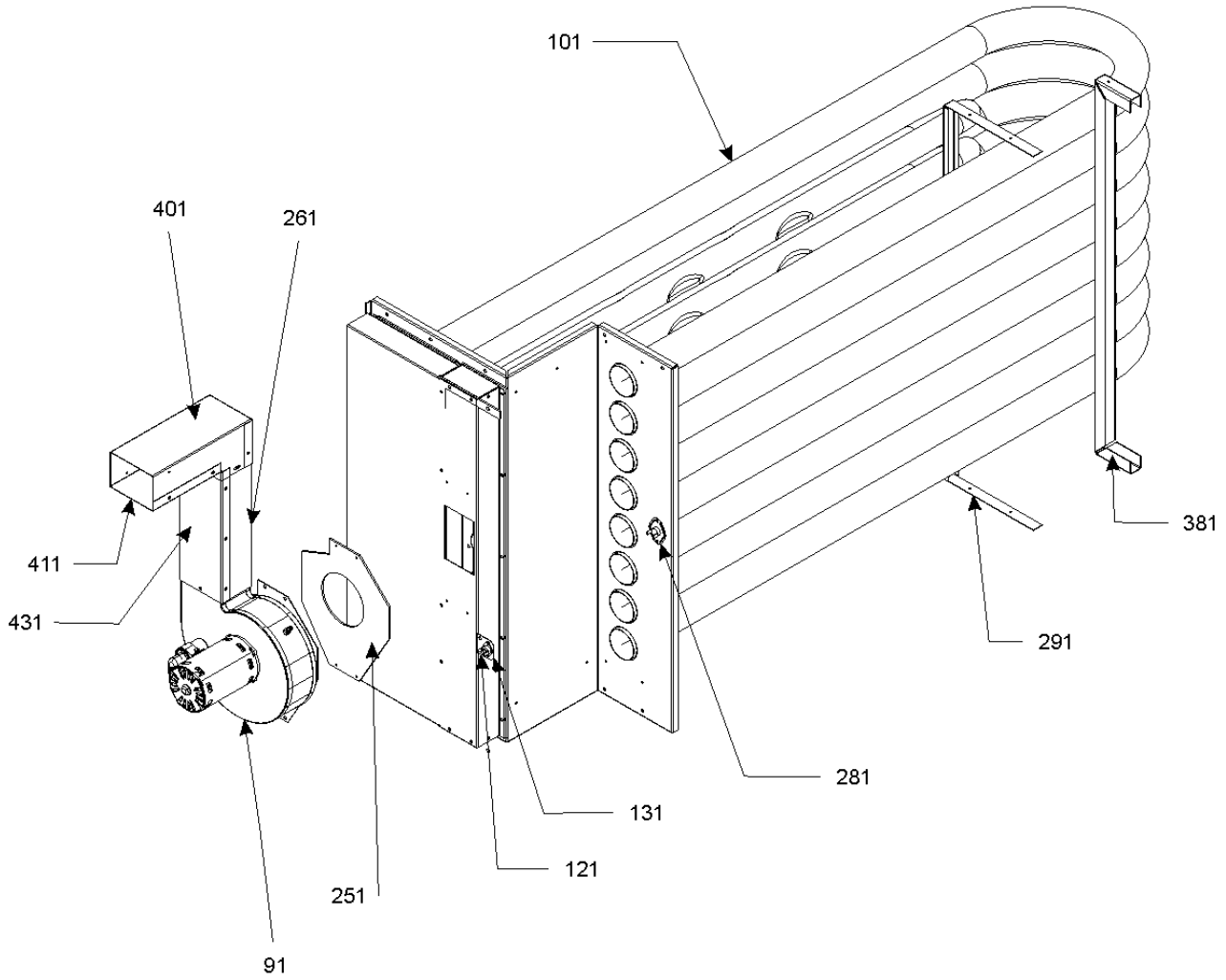


Image 2

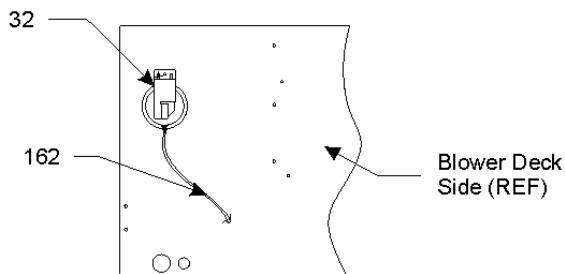
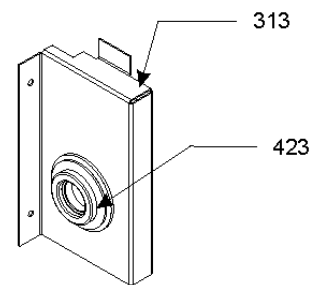


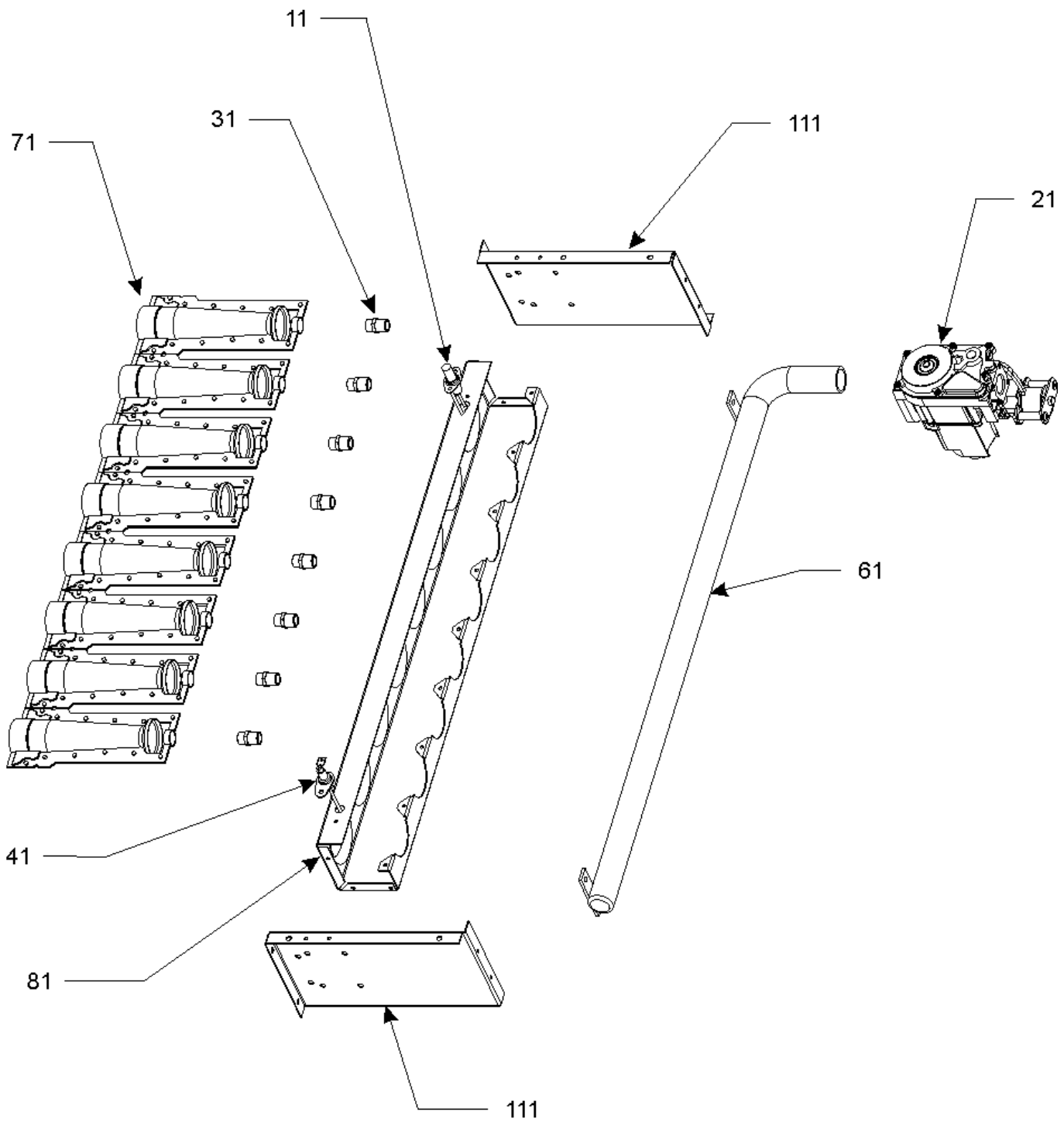
Image 3



Heat Exchanger Assembly

Ref. Part No: No:	Description:	Ref. Part No: No:	Description:
Image 1:		Expanded Model Nomenclature	
91	0131L00014 VENT MOTOR	M1	CPG2404003BAXBBA
101	0270L00186 PARTITION TUBE ASSY 8B (M1, M2, M3, M4, M5, M6, M9, M10, M11, M12, M13, M14, M15, M16, M17, M22, M23, M24, M25, M26, M29, M30)	M2	CPG2404003BAXBBB
101	0270L00221 PARTITION TUBE ASSY-8B SS (M7, M8, M18, M19, M20, M21, M27, M28)	M3	CPG2404003BJXNBA
121	10123529 MANUAL RESET LIMIT-GREEN	M4	CPG2404003BJXNBB
131	0121L00053 FLAME ROLLOUT BRACKET	M5	CPG2404003BJXOBA
251	0154L00029 ID BLOWER GASKET	M6	CPG2404003BJXOBB
261	0121L00668 FLUE WRAPPER, BACK	M7	CPG2404003BXSXBA
281	20162903 PRIMARY LIMIT - BLUE	M8	CPG2404003BXSXBB
291	0121L00808 SUPPORT-HEAT TUBES	M9	CPG2404003BXXBBA
381	0121L00930 SUPPORT-HEAT TUBES 2.25	M10	CPG2404003BXXBBB
401	0121L00670 FLUE WRAPPER EXIT	M11	CPG2404003BXXXBA
411	0121L00671 FLUE COVER EXIT	M12	CPG2404003BXXXBB
431	0121L00669 FLUE COVER, FRONT	M13	CPG2404003HAXBBB
NS	0154L00025 COVER GASKET	M14	CPG2404004BAXCBA
NS	0163L00040 FLUE SCREEN	M15	CPG2404004BAXCBB
NS	0154L00026 INNER COLLECTOR BOX GASKET	M16	CPG2404004BAXXBB
NS	0154L00027 OUTER COLLECTOR BOX GASKET	M17	CPG2404004BJXFBA
Image 2:		M18	CPG2404004BXSABA
32	11112501 PRESSURE SWITCH	M19	CPG2404004BXSABB
162	A3468601 PRESSURE SWITCH HOSE	M20	CPG2404004BXSXBA
Image 3:		M21	CPG2404004BXSXBB
313	0121L00697 GAS VALVE PIPE BRACKET	M22	CPG2404004BXXXBA
423	B1910013 GAS LINE GROMMET	M23	CPG2404004BXXXBB
		M24	CPG2404004HXXXBA
		M25	CPG2404004HXXXBB
		M26	CPG2404007BAXXBB
		M27	CPG2404007BXSXBA
		M28	CPG2404007BXSXBB
		M29	CPG2404007BXXXBA
		M30	CPG2404007BXXXBB

Burner Assembly



Burner Assembly

Ref. Part No: No:	Description:	Ref. Part No: No:	Description:
-------------------	--------------	-------------------	--------------

Image 1:

11	20261709	IGNITOR
21	0151M00015	VALVE, GAS (HW) VR83
31	0163L00014	ORIFICE (QTY 8)
41	0130F00010	FLAME SENSOR
61	0163L00033	MANIFOLD-GAS 8 BURNER
71	0163L00000	BECKETT BURNER (QTY 8)
81	0121L00635	BRACKET-8 BURNERS
111	0121G00268	BRACKET-BURNER TOP/BOT (QTY 2)

Expanded Model Nomenclature

- M1 - CPG2404003BAXBBA
- M2 - CPG2404003BAXBBB
- M3 - CPG2404003BJXNBA
- M4 - CPG2404003BJXNBB
- M5 - CPG2404003BJXOBA
- M6 - CPG2404003BJXOBB
- M7 - CPG2404003BXSXBA
- M8 - CPG2404003BXSXBB
- M9 - CPG2404003BXXBBA
- M10 - CPG2404003BXXBBB
- M11 - CPG2404003BXXXBA
- M12 - CPG2404003BXXXBB
- M13 - CPG2404003HAXBBA
- M14 - CPG2404004BAXCBA
- M15 - CPG2404004BAXCBB
- M16 - CPG2404004BAXXBB
- M17 - CPG2404004BJXFBA
- M18 - CPG2404004BXSABA
- M19 - CPG2404004BXSABB
- M20 - CPG2404004BXSXBA
- M21 - CPG2404004BXSXBB
- M22 - CPG2404004BXXXBA
- M23 - CPG2404004BXXXBB
- M24 - CPG2404004HXXXBA
- M25 - CPG2404004HXXXBB
- M26 - CPG2404007BAXXBB
- M27 - CPG2404007BXSXBA
- M28 - CPG2404007BXSXBB
- M29 - CPG2404007BXXXBA
- M30 - CPG2404007BXXXBB

Control Box / Capacitor Assembly

Image 1

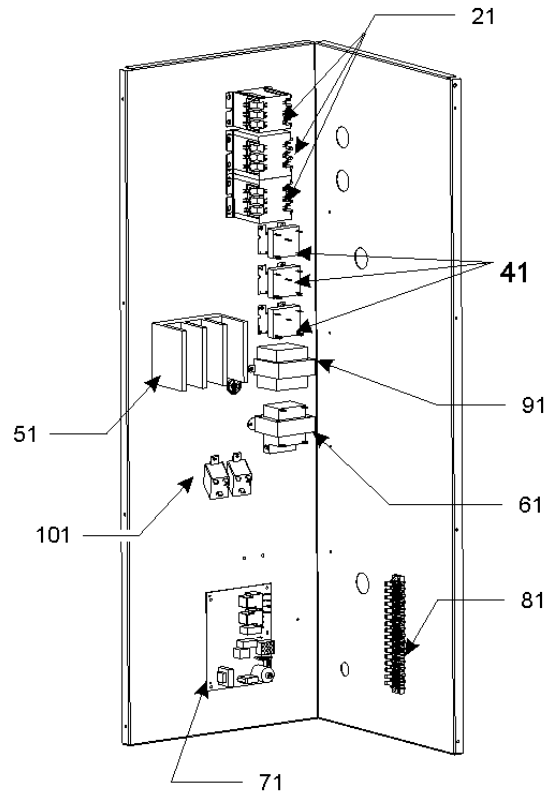
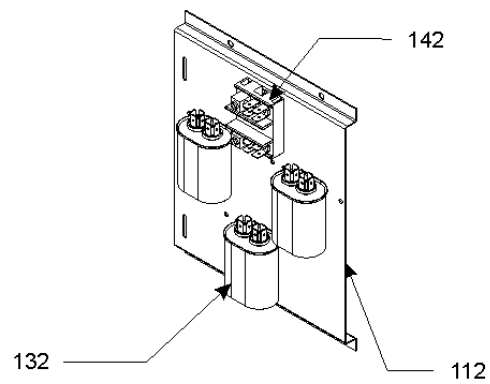


Image 2



Control Box / Capacitor Assembly

Ref. Part No:	Description:	Ref. Part No:	Description:
Image 1:		Expanded Model Nomenclature	
21	CONT3P030024V CONTACTOR 30 AMP, 3P, 24V	M1 - CPG2404003BAXBBA	
21	CONT3P050024V CONTACTOR 50 AMP, 3P, 24V (M1, M2, M3, M4, M5, M6, M7, M8, M9, M10, M11, M12, M13)	M2 - CPG2404003BAXBBA	
41	0130M00025 24V RELAY (QTY 3)	M3 - CPG2404003BJXNBA	
51	0130M00042 POWER BLOCK (M1, M2, M3, M4, M5, M6, M7, M8, M9, M10, M11, M12, M13)	M4 - CPG2404003BJXNBB	
61	0130M00144 TRANSFORMER (M1, M2, M3, M4, M5, M6, M7, M8, M9, M10, M11, M12, M13)	M5 - CPG2404003BJXOBA	
61	0130M00145 TRANSFORMER 480V TO 24V, 75VA (M14, M15, M16, M17, M18, M19, M20, M21, M22, M23, M24, M25)	M6 - CPG2404003BJXOBB	
61	0130M00147 TRANSFORMER 575V TO 230V, 150VA (M26, M27, M28, M29, M30)	M7 - CPG2404003BXSXBA	
71	PCBAG123 IGNITION BOARD, DSI INTEGRATED	M8 - CPG2404003BXSXBB	
81	0130M00038 TERMINAL BOARD	M9 - CPG2404003BXXBBA	
91	0130M00146 TRANSFORMER 480V TO 230V, 150VA (M14, M15, M16, M17, M18, M19, M20, M21, M22, M23, M24, M25)	M10 - CPG2404003BXXBBB	
91	0130M00148 TRANSFORMER 575V TO 24V, 75VA (M26, M27, M28, M29, M30)	M11 - CPG2404003BXXXBA	
101	0130M00242 RELAY, 24V (M1, M2, M3, M4, M5, M6, M7, M8, M9, M10, M11, M12, M13, M15, M16, M19, M21, M23, M25, M26, M28, M30)	M12 - CPG2404003BXXXBB	
NS	0259L00102 ECONOMIZER HARNESS	M13 - CPG2404003HAXBBA	
NS	0159L00052 HARNESS JUMPER LONG (M1, M2, M3, M4, M5, M6, M7, M8, M9, M10, M11, M12, M13)	M14 - CPG2404004BAXCBA	
NS	0259L00134 HARNESS, 12 PIN GAS (M1, M2, M3, M4, M5, M6, M7, M8, M9, M10, M11, M12, M13, M15, M16, M19, M21, M23, M25, M26, M28, M30)	M15 - CPG2404004BAXCBB	
NS	0159L00051 HARNESS, JUMPER SHORT (M1, M2, M3, M4, M5, M6, M7, M8, M9, M10, M11, M12, M13)	M16 - CPG2404004BAXXBB	
NS	0259L00101 MOTOR HARNESS-BELT DRIVE	M17 - CPG2404004BJXFBA	
NS	0259L00136 WIRE HARNESS ASSY (M1, M2, M3, M4, M5, M6, M7, M8, M9, M10, M11, M12, M13, M15, M16, M19, M21, M23, M25, M26, M28, M30)	M18 - CPG2404004BXSABA	
NS	0259L00103 WIRING HARNESS (M14, M17, M18, M20, M22, M24, M27, M29)	M19 - CPG2404004BXSABB	
		M20 - CPG2404004BXSXBA	
		M21 - CPG2404004BXSXBB	
		M22 - CPG2404004BXXXBA	
		M23 - CPG2404004BXXXBB	
		M24 - CPG2404004HXXXBA	
		M25 - CPG2404004HXXXBB	
		M26 - CPG2404007BAXXBB	
		M27 - CPG2404007BXSXBA	
		M28 - CPG2404007BXSXBB	
		M29 - CPG2404007BXXXBA	
		M30 - CPG2404007BXXXBB	
Image 2:			
112	0121L00585 CAPACITOR MOUNTING PLATE		
132	CAP050000370LA CAPACITOR 5/370V (QTY 3)		
142	B1368250 TERMINAL BLOCK (HIGH VOLTAGE)		
NS	0121L00586 CAPACITOR COVER		
NS	20520901 CAPACITOR STRAP (QTY 3)		
NS	0259L00118 CONDENSER FAN HARNESS, LONG		
NS	0259L00117 CONDENSER FAN HARNESS, MEDIUM		
NS	0259L00116 CONDENSER FAN HARNESS, SHORT		

Accessory Parts List

Accessory Parts

Ref. Part No:	Description:	Ref. Part No:	Description:
Image 1:			
NS 0121L01053	BRACKET-SMOKE DETECTOR RETURN (M3, M4, M5, M6)		
NS 0130M00065	CIRCUIT BREAKER, CONVENIENCE OUTLET (M1, M2, M3, M4, M5, M6, M9, M10, M13)		
NS 0130L00010	COVER-GANG GFCI VERT OUTLET (M17, M18, M19)		
NS 0270L00317	DISCONNECT COVER ASSY (M3, M4, M5, M6, M17)		
NS 0130L00012	GANG BOX-GFCI OUTLET (M17, M18, M19)		
NS 0130L00039	HANDLE, ROTARY (M3, M4, M5, M6, M17)		
NS LAKT03	LOW AMBIENT KIT-15-20 TON (M14, M15, M17)		
NS 0130L00011	RECEPTACLE-GFCI OUTLET (M17, M18, M19)		
NS 0130L00043	SHAFT, CUT (M3, M4, M5, M6)		
NS D4120	SMOKE DETECTOR, PHOTO WIRE (M3, M4, M5, M6)		
NS 0130L00033	SWITCH-DISCONNECT 200A (M3, M4, M5, M6)		
NS 0130L00046	SWITCH-DISCONNECT 60A (M17)		
NS 0130M00061	TRANSFORMER, CONVENIENCE OUTLET (M1, M2, M3, M4, M5, M6, M9, M10, M13)		

Expanded Model Nomenclature

- M1 - CPG2404003BAXBBA
- M2 - CPG2404003BAXBBB
- M3 - CPG2404003BJXNBA
- M4 - CPG2404003BJXNBB
- M5 - CPG2404003BJXOBA
- M6 - CPG2404003BJXOBB
- M7 - CPG2404003BXSXBA
- M8 - CPG2404003BXSXBB
- M9 - CPG2404003BXXBBA
- M10 - CPG2404003BXXBBB
- M11 - CPG2404003BXXXBA
- M12 - CPG2404003BXXXBB
- M13 - CPG2404003HAXBBB
- M14 - CPG2404004BAXCBA
- M15 - CPG2404004BAXCBB
- M16 - CPG2404004BAXXBB
- M17 - CPG2404004BJXFBA
- M18 - CPG2404004BXSABA
- M19 - CPG2404004BXSABB
- M20 - CPG2404004BXSXBA
- M21 - CPG2404004BXSXBB
- M22 - CPG2404004BXXXBA
- M23 - CPG2404004BXXXBB
- M24 - CPG2404004HXXXBA
- M25 - CPG2404004HXXXBB
- M26 - CPG2404007BAXXBB
- M27 - CPG2404007BXSXBA
- M28 - CPG2404007BXSXBB
- M29 - CPG2404007BXXXBA
- M30 - CPG2404007BXXXBB