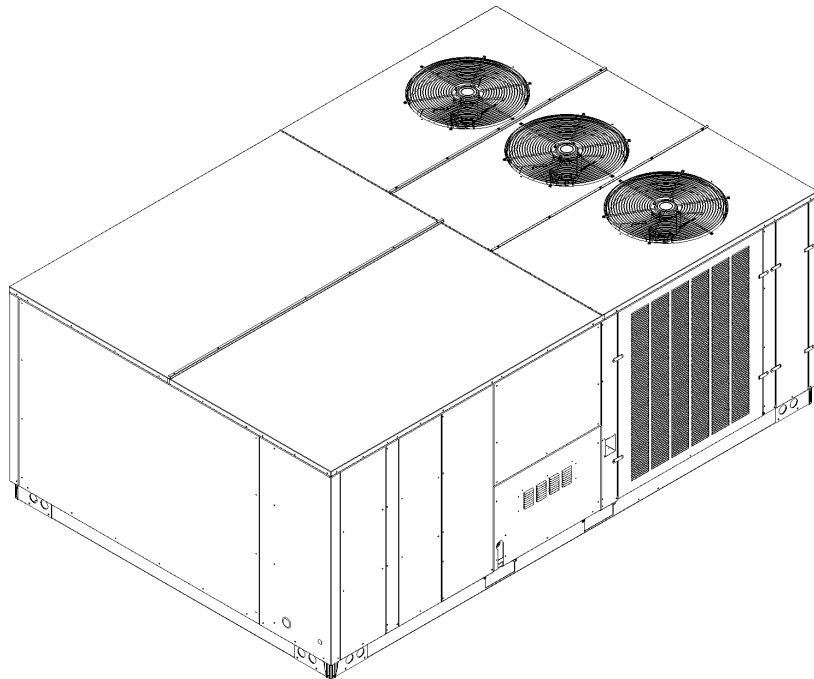


REPAIR PARTS

CPG240 20-Ton Commercial Pkg Gas Unit

CPG2404003BXSXAA
CPG2404003BXXXAA
CPG2404004BXSXAA
CPG2404004BXXXAA
CPG2404007BXSXAA
CPG2404007BXXXAA



This manual is to be used by qualified technicians only.

© 2010 Goodman Manufacturing Company, L.P. ♦ 5151 San Felipe, Suite 500 ♦ Houston, TX 77056

Important Information

Index

Functional Parts List	3
Illustration and Parts	4 - 23

Views shown are for parts illustrations only, not servicing procedures.

Text Codes:

AR - As Required

NA - Not Available

NS - Not Shown

00000000 - See Note

QTY - Quantity Example (QTY 3) (If Quantity not shown, Quantity = 1)

M - Model Example (M1) (If M Code not shown, then part is used on all Models)

Expanded Model Nomenclature:

Example
M1 - Model#1
M2 - Model#2
M3 - Model#3

Goodman Manufacturing Company, L.P. is not responsible for personal injury or property damage resulting from improper service. Review all service information before beginning repairs.

Warranty service must be performed by an authorized technician, using authorized factory parts. If service is required after the warranty expires, Goodman Manufacturing Company, L.P. also recommends contacting an authorized technician and using authorized factory parts.

Goodman Manufacturing Company, L.P. reserves the right to discontinue, or change at any time, specifications or designs without notice or without incurring obligations.

For assistance within the U.S.A. contact:
Consumer Affairs Department
Goodman Manufacturing Company, L.P.
7401 Security Way
Houston, Texas 77040
877-254-4729-Telephone
713-863-2382-Facsimile

For assistance outside the U.S.A. contact:
International Division
Goodman Manufacturing Company, L.P.
7401 Security Way
Houston, Texas 77040
713-861-2500-Telephone
713-863-2382-Facsimile

Functional Parts

Part

No: Description:

Part No:	Description:	Part No:	Description:
0130M00025S	24V RELAY (QTY 3)	0163L00037	VARIABLE PITCH SHEAVE
0163L00000	BECKETT BURNER (QTY 8)	0131L00014	VENT MOTOR
CAP050000370VAS	CAPACITOR 5/370V (QTY 3)	04-78499	WHEEL (QTY 2)
ZP120KCETFE155	COMPRESSOR 121,000, 575/60/3 (M5, M6)		
ZP120KCETF5250	COMPRESSOR 123,000, 200/230/60/3 (M1, M2)		
ZP120KCETFD155	COMPRESSOR 123,000, 460/60/3 (M3, M4)		
0231L00018	CONDENSER MOTOR, 1/3 HP, 460V (M3, M4)		
0231L00019	CONDENSER MOTOR, 1/3 HP, 575V (M5, M6)		
0231L00017	CONDENSER MOTOR, 1/3HP,1SP, 6PL (M1, M2)		
CONT3P030024VS	CONTACTOR 30 AMP, 3P, 24V		
CONT3P050024V	CONTACTOR 50 AMP, 3P, 24V (M1, M2)		
0130L00020	CRANK CASE HEATER, 90W, 240V (M1, M2)		
0130L00021	CRANK CASE HEATER, 90W, 480V (M3, M4)		
0130L00022	CRANK CASE HEATER, 90W, 575V (M5, M6)		
10625733S	FAN BLADE 22" ALUM CCW (QTY 3)		
0163L00036	FIXED SHEAVE		
0130F00010	FLAME SENSOR		
0151L00000S	GAS VALVE, MANIFOLD (36H)		
0130M00074	HIGH PRESSURE SWITCH C1		
0130M00074	HIGH PRESSURE SWITCH C2		
PCBAG123S	IGNITION BOARD, DSI INTEGRATED		
20261709S	IGNITOR		
0130M00064	LIMIT		
0130M00087	LOW PRESSURE SWITCH C1		
0130M00087	LOW PRESSURE SWITCH C2		
10123529	MANUAL RESET LIMIT		
B3240005	MOTOR, 5 HP, 230 & 460V, 3P (M1, M2, M3, M4)		
0131L00007	MOTOR-5 HP BELT DRIVE 575V 3P (M5, M6)		
0163L00014	ORIFICE (QTY 8)		
16330-3S	POWER BLOCK (M1, M2)		
11112501S	PRESSURE SWITCH		
20162903	PRIMARY LIMIT - BLUE		
B1368250	TERMINAL BLOCK (HIGH VOLTAGE)		
0130M00038S	TERMINAL BOARD		
B1141663	TRANSFORMER 460V TO 230V, 150 VA (M3, M4)		
B1141672	TRANSFORMER 480V, 75VA, RESETTABLE (M1, M2, M3, M4)		
0130M00044S	TRANSFORMER 575/230V (M5, M6)		
0130M00045S	TRANSFORMER 575/24V (M5, M6)		
0151L00004S	VALVE, TXV R-410A (QTY 2)		

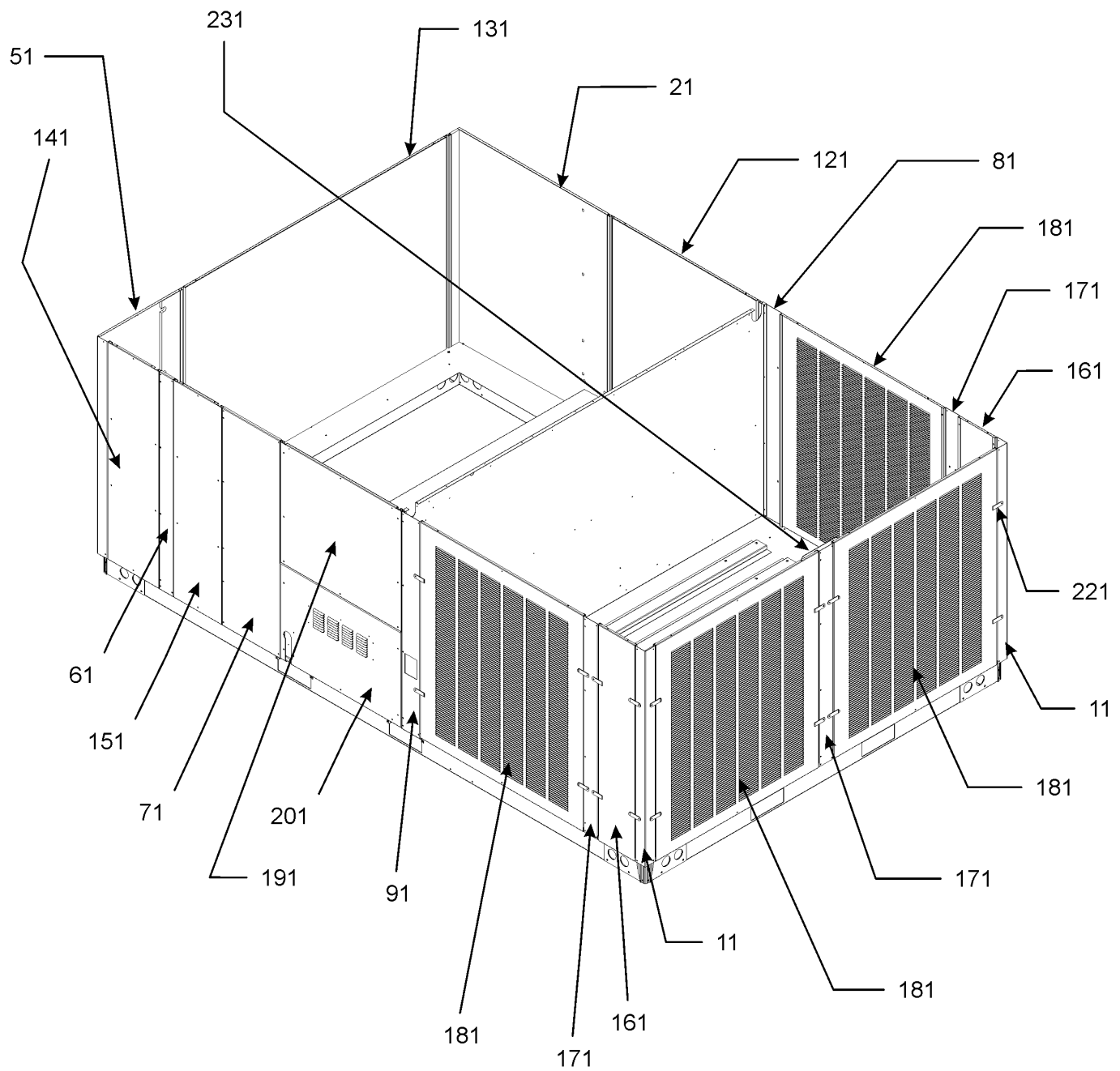
SPECIAL PARTS

HI-122A	HOMEOWNER-INSTRUCTIONS
IO-366	INSTALLATION INSTRUCTIONS

Expanded Model Nomenclature

M1 - CPG2404003BXSXAA
M2 - CPG2404003BXXXAA
M3 - CPG2404004BXSXAA
M4 - CPG2404004BXXXAA
M5 - CPG2404007BXSXAA
M6 - CPG2404007BXXXAA

Cabinet Assembly



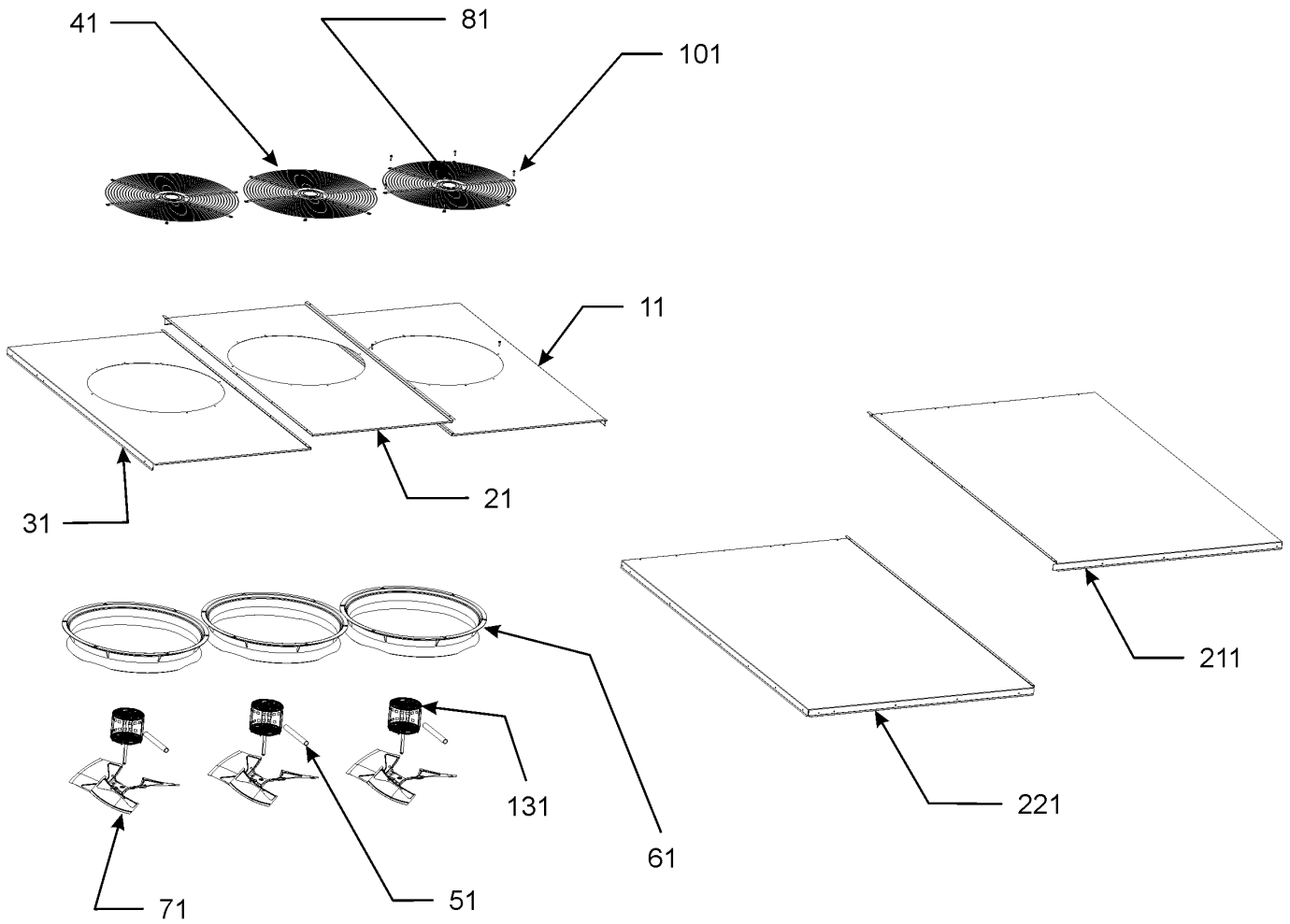
Cabinet Assembly

Ref. Part No:	No:	Description:	Ref. Part No:	No:	Description:
<i>Image 1:</i>					
11	0121L00440DG	CORNER POST (QTY 2)			
21	0270L00196	INSULATED RETURN CORNER PANEL			
51	0270L00219	INSULATED ACCESSORY POST ASSY			
61	0270L00205	INSULATED FILTER POST ASSY			
71	0270L00258	INSULATED BLOWER POST ASSY			
81	0121L00678DG	PARTITION POST, EVAP SIDE			
91	0121L00711DG	PARTITION POST, FLUE			
121	0270L00194	INSULATED BLOWER DOOR ASSY			
131	0270L00250	INSULATED ACCESSORY PANEL ASSY			
141	0121L00687DG	CONTROL DOOR			
151	0270L00198	INSULATED FILTER DOOR ASSY			
161	0121L00599DG	CONDENSER CORNER PANEL (QTY 2)			
171	0121L00445DG	FILTER DOOR POST (QTY 3)			
181	0121L00537DG	LOUVER PANEL (QTY 4)			
191	0270L00259	INSULATED BLOWER DOOR ASSY, HT SIDE			
201	0121L00712DG	BURNER DOOR			
221	0121L00476DG	DOOR TURNBUCKLE (QTY 24)			
231	0121L00580	CONDENSER POST BRACKET, CENTER			
NS	0121L00562DG	COMBUSTION AIR HOOD			
NS	M0204317	SCREW-MACH (QTY 24)			

Expanded Model Nomenclature

- | |
|-----------------------|
| M1 - CPG2404003BXSXAA |
| M2 - CPG2404003BXXXAA |
| M3 - CPG2404004BXSXAA |
| M4 - CPG2404004BXXXAA |
| M5 - CPG2404007BXSXAA |
| M6 - CPG2404007BXXXAA |

Top Panel Assembly



Top Panel Assembly

Ref. Part No: No:	Description:	Ref. Part No: No:	Description:
-------------------	--------------	-------------------	--------------

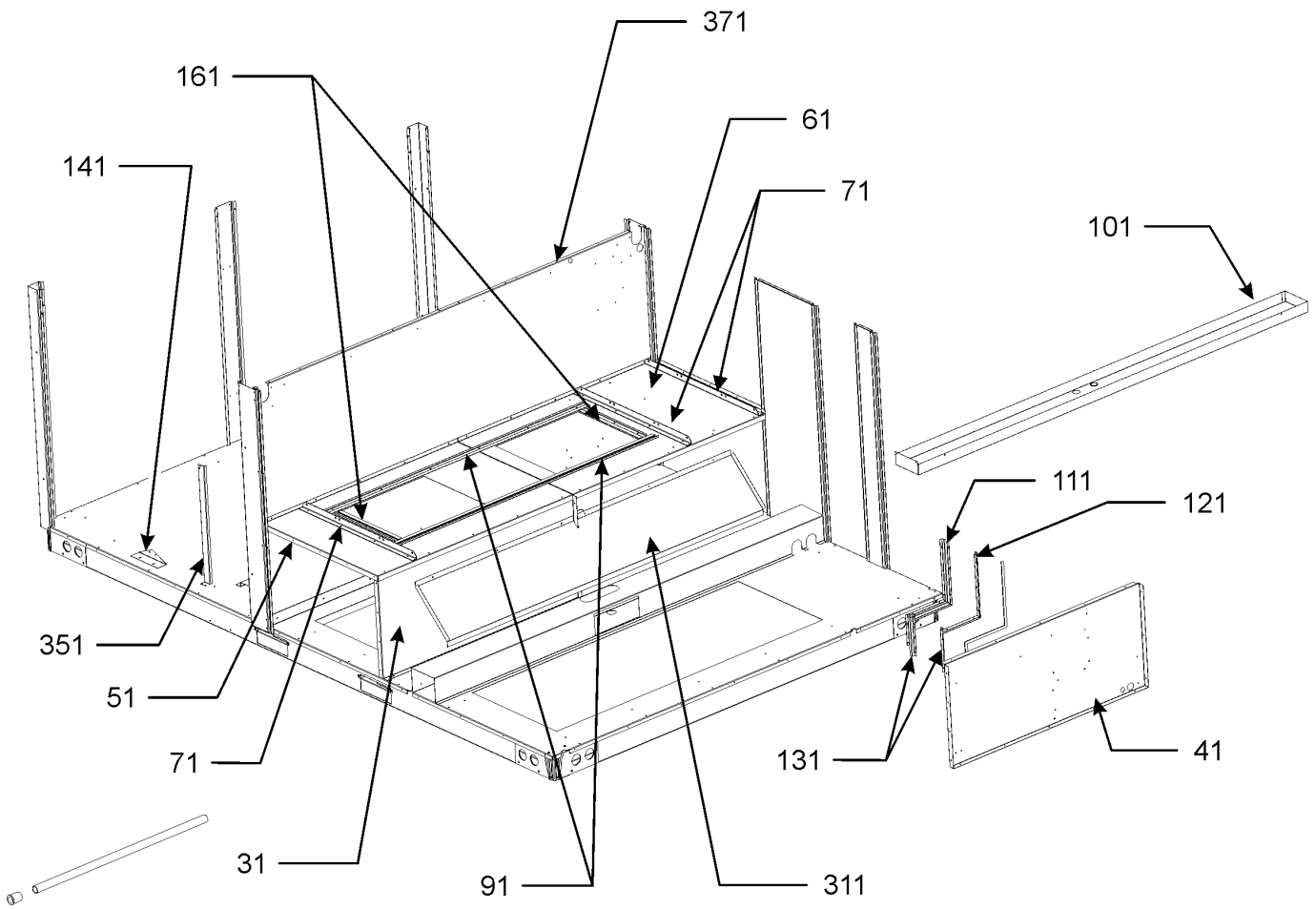
Image 1:

11	0121L00636DG	CONDENSER TOP, CONTROL SIDE
21	0121L00638DG	CONDENSER TOP, CENTER
31	0121L00637DG	CONDENSER TOP, EVAP SIDE
41	0152G00002S	FAN GRILLE (QTY 3)
51	17788000083F	PVC CONDUIT 8.25" (QTY 3)
61	0161L00000	VENTURI RING 22" (QTY 3)
71	10625733S	FAN BLADE 22" ALUM CCW (QTY 3)
81	0163M00006P	ACORN NUT 5/16 HEX BLACK (QTY 12)
101	0163M00004	SCREW #10X3/4", BLACK (QTY 24)
131	0231L00018	CONDENSER MOTOR, 1/3 HP, 460V (M3, M4)
131	0231L00019	CONDENSER MOTOR, 1/3 HP, 575V (M5, M6)
131	0231L00017	CONDENSER MOTOR, 1/3HP,1SP, 6PL (M1, M2)
211	0270L00193	INSULATED TOP ASSY, CONTROL SIDE
221	0270L00210	INSULATED TOP ASSY, EVAP SIDE

Expanded Model Nomenclature

- | |
|-----------------------|
| M1 - CPG2404003BXSXAA |
| M2 - CPG2404003BXXXAA |
| M3 - CPG2404004BXSXAA |
| M4 - CPG2404004BXXXAA |
| M5 - CPG2404007BXSXAA |
| M6 - CPG2404007BXXXAA |

Partition Assembly



Partition Assembly

Ref. Part No:	No:	Description:	Ref. Part No:	No:	Description:
<i>Image 1:</i>					
31	0121L00603	BLOWER DECK SIDE, DUCT END			
41	0121L00684	BLOWER DECK SIDE, HT END			
51	0121L00682	BLOWER DECK, EVAP SIDE			
61	0121L00683	BLOWER DECK, MOTOR SIDE			
71	0121L00714	MOTOR MOUNT ANGLE (QTY 3)			
91	0121L00478	BLOWER DECK RAIL (QTY 2)			
101	0270L00226DG	DRAIN PAN			
111	0121L00551	HEAT EXCHANGER ANGLE, RH SIDE			
121	0121L00552	HEAT EXCHANGER ANGLE, LH SIDE			
131	0121L00553	LOWER HEAT EXCHANGER ANGLE (QTY 2)			
141	0121L00581	BRACKET-COND/BASEPAN (QTY 2)			
161	0121L00481	BLOWER RAIL (QTY 2)			
311	0121L00618	BLOWOFF SHIELD			
351	0121L00624	CONDENSER BRACE, C2			
371	0121L00427	PARTITION PANEL			
NS	0121L00623	CONDENSER BRACE, C1			

Expanded Model Nomenclature

- M1 - CPG2404003BXSXAA
- M2 - CPG2404003BXXXAA
- M3 - CPG2404004BXSXAA
- M4 - CPG2404004BXXXAA
- M5 - CPG2404007BXSXAA
- M6 - CPG2404007BXXXAA

Basepan / Compressor / Tubing Assembly

Image 1

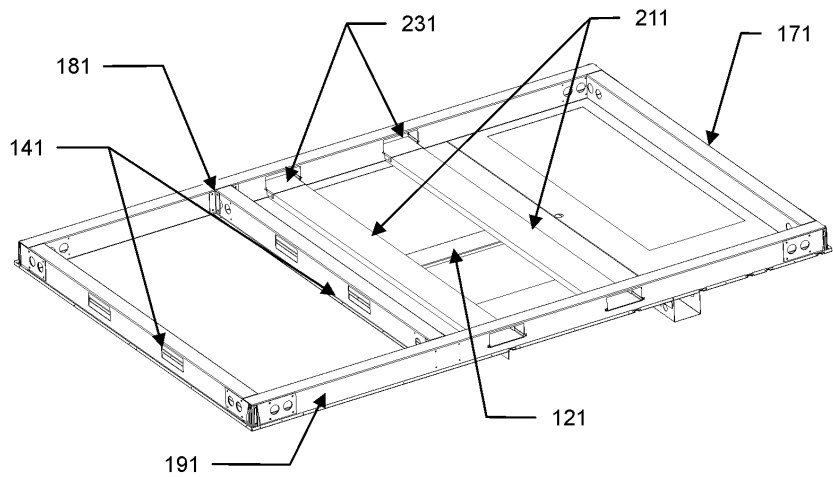
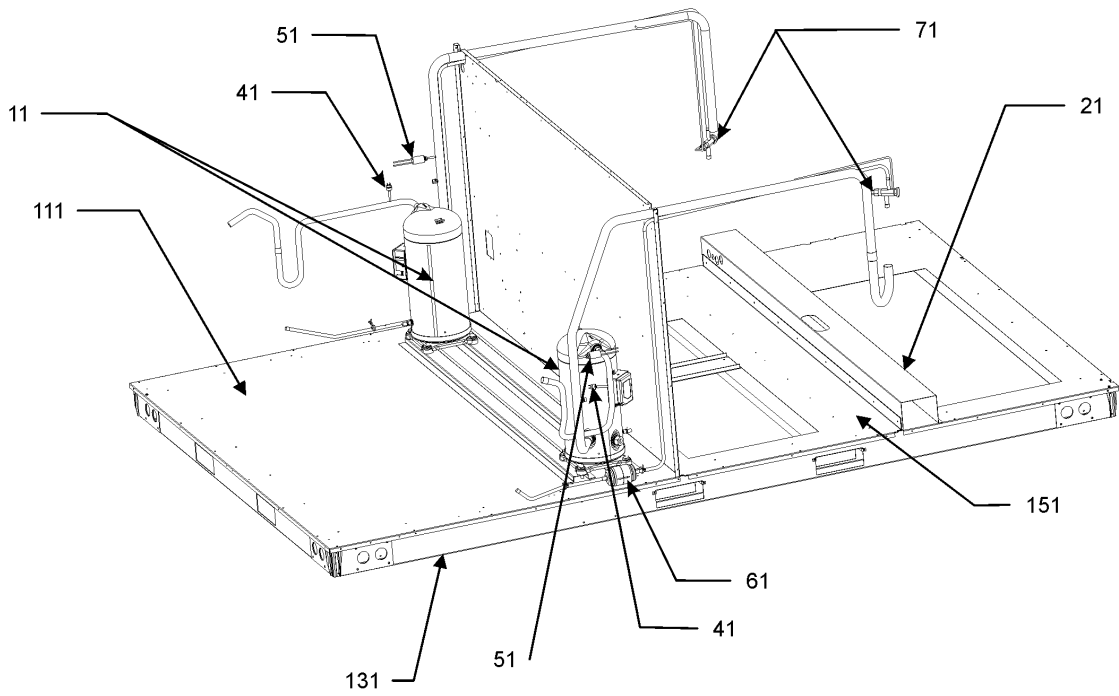


Image 2

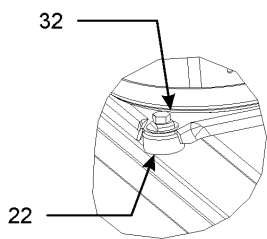
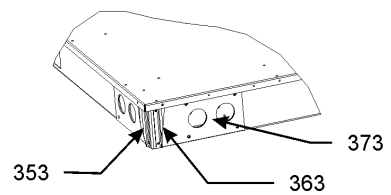


Image 3



Basepan / Compressor / Tubing Assembly

Ref. Part No: No:	Description:	Ref. Part No: No:	Description:
-------------------	--------------	-------------------	--------------

Image 1:

11	ZP120KCETFE155	COMPRESSOR 121,000, 575/60/3 (M5, M6)
11	ZP120KCETF5250	COMPRESSOR 123,000, 200/230/60/3 (M1, M2)
11	ZP120KCETFD155	COMPRESSOR 123,000, 460/60/3 (M3, M4)
21	0270L00189	BASEPAN WELDMENT, RETURN SIDE
41	0130M00074	HIGH PRESSURE SWITCH C1
41	0130M00074	HIGH PRESSURE SWITCH C2
51	0130M00087	LOW PRESSURE SWITCH C1
51	0130M00087	LOW PRESSURE SWITCH C2
61	0151M00012	BI-FLOW FILTER DRIER (QTY 2)
71	0151L00004S	VALVE, TXV R-410A (QTY 2)
111	0270L00208	BASEBAN WELDMENT, OUTDOOR SIDE
121	0121L00605	FORK BOARD PLATE
131	0121L00720	SIDE RAIL
141	0121L00721	BASE RAIL, CONDENSER END (QTY 2)
151	0121L00676	SUPPLY SIDE BASE PAN
171	0121L00722	BASE RAIL, ACCESSORY END
181	0121L00625	COMPRESSOR RAIL BRACKET (QTY 4)
191	0121L00719	CONTROL SIDE BASE RAIL
211	0141L00029	FORK BOARD (QTY 2)
231	0121L00724	FORK BOARD BRACKET (QTY 4)
NS	B9102097	CAP W/O-RING (QTY 4)
NS	0159L00044	COMPRESSOR SCROLL HARNESS (M3, M4, M5, M6)
NS	0159L00045	COMPRESSOR SCROLL HARNESS (M3, M4, M5, M6)
NS	0159L00048	COMPRESSOR SCROLL HARNESS (M1, M2)
NS	0159L00049	COMPRESSOR SCROLL HARNESS (M1, M2)
NS	0130L00020	CRANK CASE HEATER, 90W, 240V (M1, M2)
NS	0130L00021	CRANK CASE HEATER, 90W, 480V (M3, M4)
NS	0130L00022	CRANK CASE HEATER, 90W, 575V (M5, M6)

Image 2:

22	0164M00018	COMPRESSOR GROMMET (QTY 8)
32	B1393740	COMPRESSOR BOLT & SLEEVE (QTY 8)

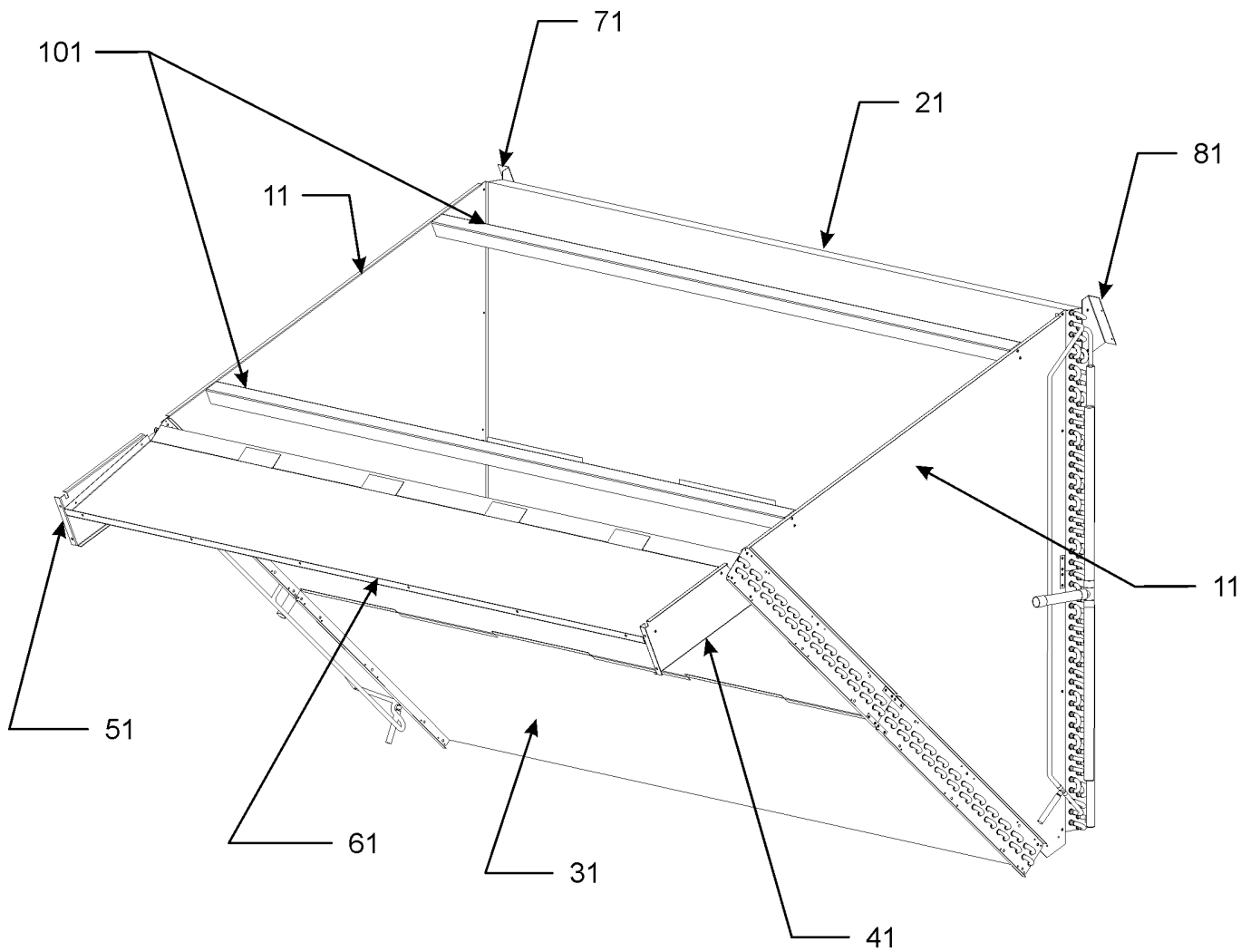
Image 3:

353	0121L00616	RAIL BRACE ANGLE, RIGHT (QTY 4)
363	0121L00617	RAIL BRACE ANGLE, LEFT (QTY 4)
373	0121L00723	BASE RAIL CORNER BRACE (QTY 4)

Expanded Model Nomenclature

M1 - CPG2404003BXSXAA
M2 - CPG2404003BXXXAA
M3 - CPG2404004BXSXAA
M4 - CPG2404004BXXXAA
M5 - CPG2404007BXSXAA
M6 - CPG2404007BXXXAA

Condenser Assembly



Condenser Assembly

Ref. Part No:	No:	Description:	Ref. Part No:	No:	Description:
---------------	-----	--------------	---------------	-----	--------------

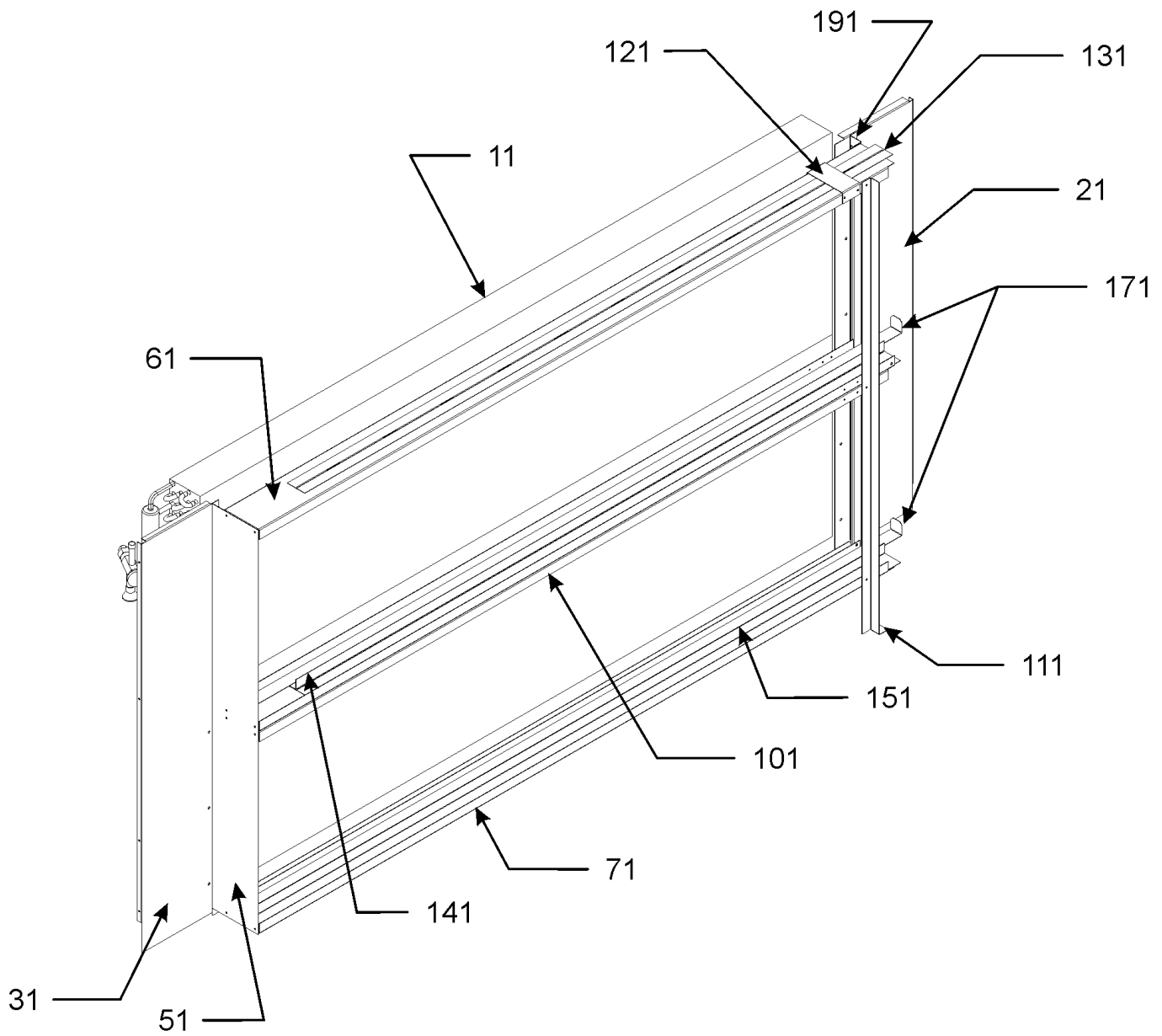
Image 1:

11	0121L00619	CONDENSER END COVER (QTY 2)
21	0201L00091	CONDENSER COIL ASSY C1
31	0201L00094	CONDENSER COIL ASSY C2
41	0121L00573	CONDENSER END BRACKET
51	0121L00574	CONDENSER END BRACKET
61	0121L00572	CONDENSER BLOCKOFF, INSIDE TOP
71	0121L00579	CONDENSER POST BRACKET
81	0121L00575	CONDENSER POST BRACKET
101	0121L00620	CONDENSER TOP BRACE (QTY 2)

Expanded Model Nomenclature

M1 - CPG2404003BXSXAA
M2 - CPG2404003BXXXAA
M3 - CPG2404004BXSXAA
M4 - CPG2404004BXXXAA
M5 - CPG2404007BXSXAA
M6 - CPG2404007BXXXAA

Evaporator Assembly



Evaporator Assembly

Ref. Part No:	No:	Description:	Ref. Part No:	No:	Description:
---------------	-----	--------------	---------------	-----	--------------

Image 1:

11	0202L00047	EVAPORATOR COIL ASSY (QTY 2)
21	0121L00698	EVAPORATOR BLOCKOFF PANEL
31	0121L00699	EVAPORATOR PANEL
51	0121L00700	VERTICAL FILTER ANGLE, LEFT
61	0121L00629	TOP FILTER RACK
71	0121L00701	BOTTOM FILTER RACK
101	0270L00230	CENTER FILTER RACK
111	0121L00632	FILTER SUPPORT ANGLE
121	0121L00634	TOP ANGLE BRACKET
131	0270L00231	TOP SLIDER
141	0270L00232	CENTER SLIDER
151	0270L00233	BOTTOM SLIDER
171	0121L00640	FILTER PULL (QTY 2)
191	0121L00702	RIGHT SIDE BLOCKOFF, FILTER RACK
NS	0121L00703	BOTTOM BLOCKOFF, FILTER RACK

Expanded Model Nomenclature

M1 - CPG2404003BXSXAA
M2 - CPG2404003BXXXAA
M3 - CPG2404004BXSXAA
M4 - CPG2404004BXXXAA
M5 - CPG2404007BXSXAA
M6 - CPG2404007BXXXAA

Blower Assembly

Image 1

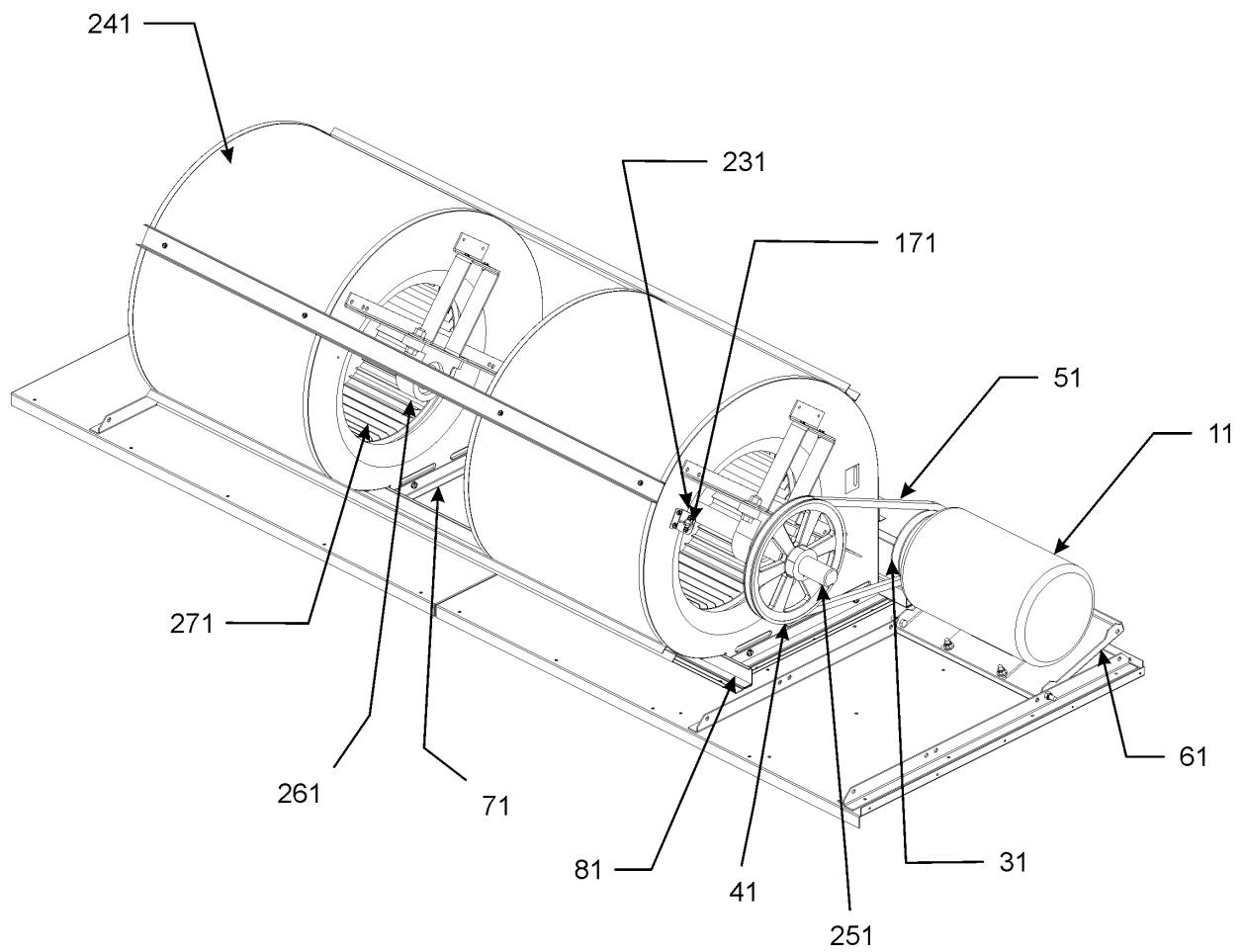
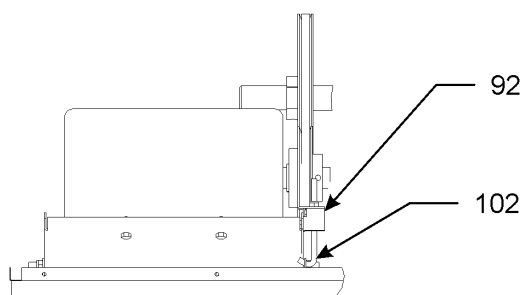


Image 2



Blower Assembly

Ref. Part No: No:	Description:	Ref. Part No: No:	Description:
-------------------	--------------	-------------------	--------------

Image 1:

11	B3240005	MOTOR, 5 HP, 230 & 460V, 3P (M1, M2, M3, M4)
11	0131L00007	MOTOR-5 HP BELT DRIVE 575V 3P (M5, M6)
31	0163L00037	VARIABLE PITCH SHEAVE
41	0163L00036	FIXED SHEAVE
51	0164L00005	NOTCHED FAN BELT BX46
61	0121L00555	MOTOR BASE PLATE
71	0121L00482	BLOWER SIDE ANGLE (QTY 4)
81	0121L00479	BLOWER RAIL (QTY 2)
171	0130M00064	LIMIT
231	0121L00594	SECONDARY LIMIT BRACKET
241	04-01542	HOUSING ASSY (QTY 2)
251	04-11552	SHAFT
261	04-02197	BEARING & FRAME ASSY (QTY 2)
271	04-78499	WHEEL (QTY 2)

Image 2:

92	0121L00557	MOTOR ADJUST BRACKET
102	0163L00034	HOKED BOLT

Expanded Model Nomenclature

- | |
|-----------------------|
| M1 - CPG2404003BXSXAA |
| M2 - CPG2404003BXXXAA |
| M3 - CPG2404004BXSXAA |
| M4 - CPG2404004BXXXAA |
| M5 - CPG2404007BXSXAA |
| M6 - CPG2404007BXXXAA |

Heat Exchanger Assembly

Image 1

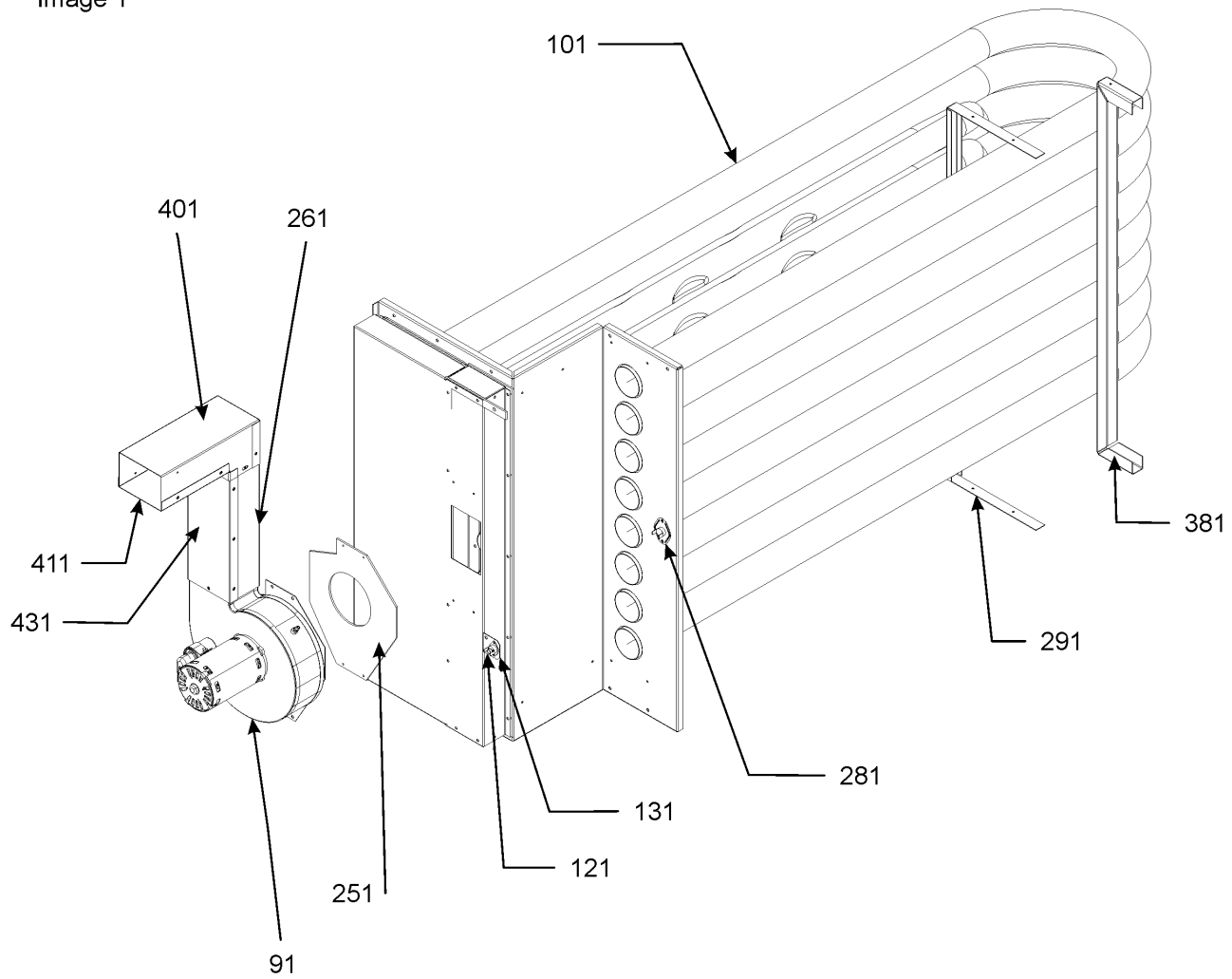


Image 2

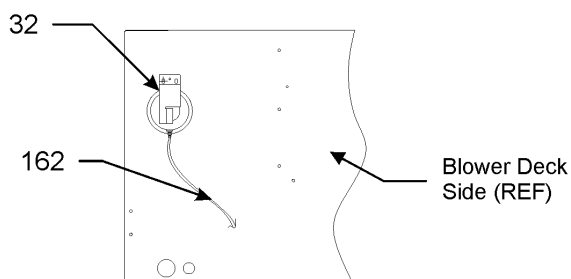
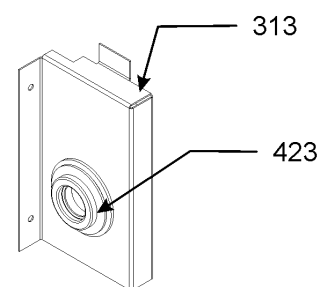


Image 3



Heat Exchanger Assembly

Ref. Part No:	Part No:	Description:	Ref. Part No:	Part No:	Description:
---------------	----------	--------------	---------------	----------	--------------

Image 1:

91	0131L00014	VENT MOTOR
101	0270L00186	PARTITION TUBE ASSY 8B (M2, M4, M6)
101	0270L00221	PARTITION TUBE ASSY 8B, SS (M1, M3, M5)
121	10123529	MANUAL RESET LIMIT
131	0121L00053	FLAME ROLLOUT BRACKET
251	0154L00029	ID BLOWER GASKET
261	0121L00668	FLUE WRAPPER, BACK
281	20162903	PRIMARY LIMIT - BLUE
291	0121L00461	HEAT EXCHANGER TUBE SUPPORT
381	0121L00583	HEAT EXCHANGER TUBE SUPPORT
401	0121L00670	FLUE WRAPPER EXIT
411	0121L00671	FLUE COVER EXIT
431	0121L00669	FLUE COVER, FRONT
NS	0154L00025	COVER GASKET
NS	0163L00040	FLUE SCREEN
NS	0154L00026	INNER COLLECTOR BOX GASKET
NS	0154L00027	OUTER COLLECTOR BOX GASKET
NS	0154L00028	TUBE PANEL GASKET

Image 2:

32	11112501S	PRESSURE SWITCH
162	A3468601	PRESSURE SWITCH HOSE

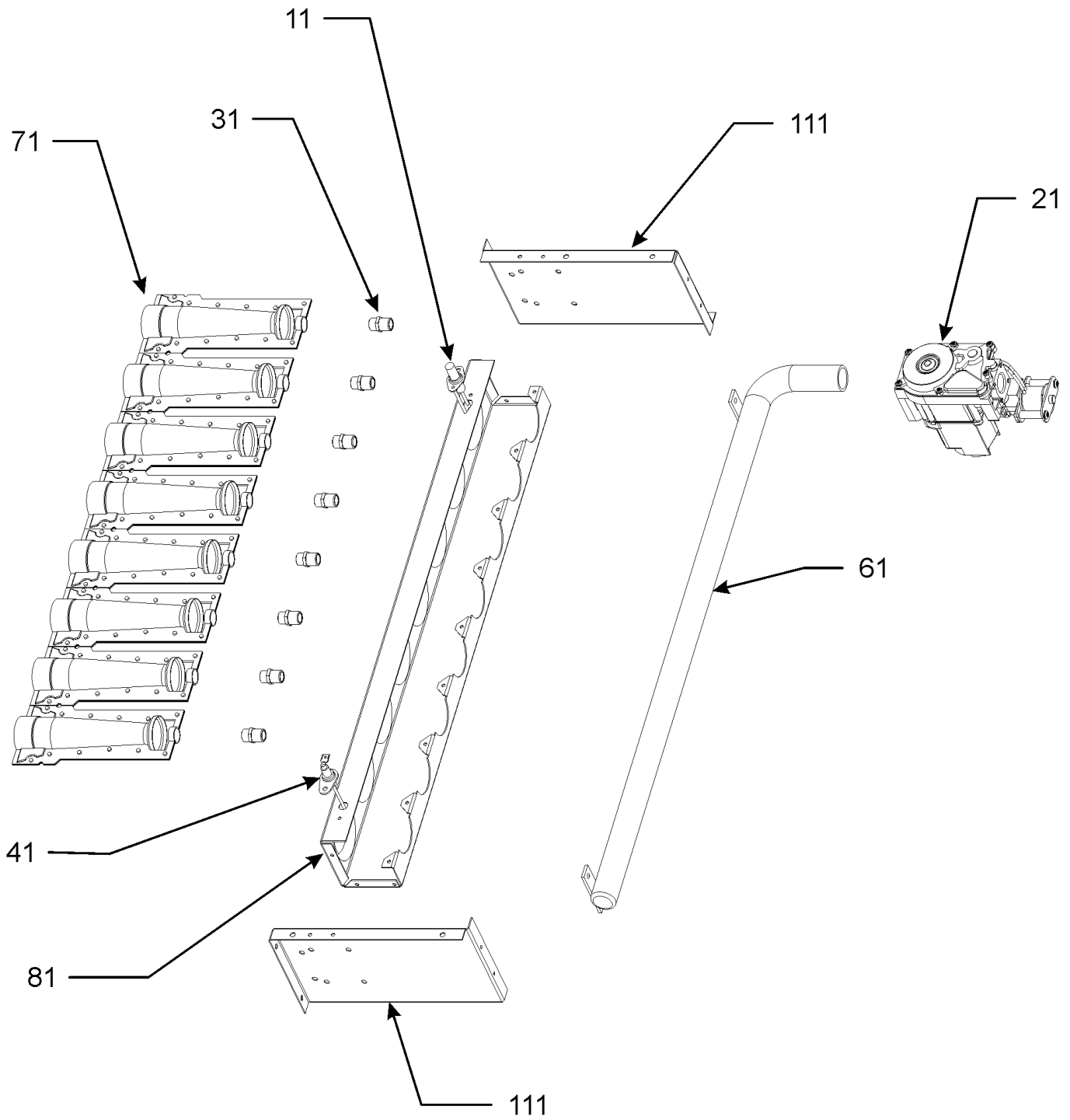
Image 3:

313	0121L00697	GAS VALVE PIPE BRACKET
423	B1910013	GAS LINE GROMMET

Expanded Model Nomenclature

M1 - CPG2404003BXSXAA
M2 - CPG2404003BXXXAA
M3 - CPG2404004BXSXAA
M4 - CPG2404004BXXXAA
M5 - CPG2404007BXSXAA
M6 - CPG2404007BXXXAA

Burner Assembly



Burner Assembly

Ref. Part No:	No:	Description:	Ref. Part No:	No:	Description:
---------------	-----	--------------	---------------	-----	--------------

Image 1:

11	20261709S	IGNITOR
21	0151L00000S	GAS VALVE, MANIFOLD (36H)
31	0163L00014	ORIFICE (QTY 8)
41	0130F00010	FLAME SENSOR
61	0163L00033	GAS MANIFOLD, 8 BURNER
71	0163L00000	BECKETT BURNER (QTY 8)
81	0121L00635	BRACKET-8 BURNERS
111	0121G00268	BRACKET-BURNER TOP/BOT (QTY 2)

Expanded Model Nomenclature

- M1 - CPG2404003BXSXAA
- M2 - CPG2404003BXXXAA
- M3 - CPG2404004BXSXAA
- M4 - CPG2404004BXXXAA
- M5 - CPG2404007BXSXAA
- M6 - CPG2404007BXXXAA

Control Box / Capacitor Assembly

Image 1

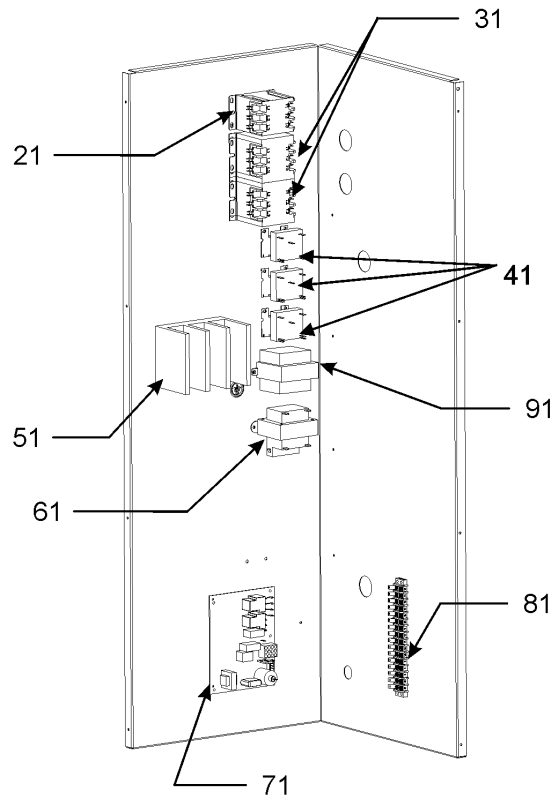
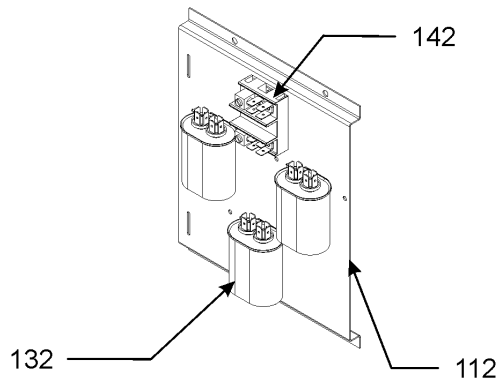


Image 2



Control Box / Capacitor Assembly

Ref. Part No:	Part No:	Description:	Ref. Part No:	Part No:	Description:
---------------	----------	--------------	---------------	----------	--------------

Image 1:

21	CONT3P030024VS	CONTACTOR 30 AMP, 3P, 24V
31	CONT3P030024VS	CONTACTOR 30 AMP, 3P, 24V (M3, M4, M5, M6)
31	CONT3P050024V	CONTACTOR 50 AMP, 3P, 24V (M1, M2)
41	0130M00025S	24V RELAY (QTY 3)
51	16330-3S	POWER BLOCK (M1, M2)
61	B1141672	TRANSFORMER 480V, 75VA, RESETTABLE (M1, M2, M3, M4)
61	0130M00045S	TRANSFORMER 575/24V (M5, M6)
71	PCBAG123S	IGNITION BOARD, DSI INTEGRATED
81	0130M00038S	TERMINAL BOARD
91	B1141663	TRANSFORMER 460V TO 230V, 150 VA (M3, M4)
91	0130M00044S	TRANSFORMER 575/230V (M5, M6)
NS	0259L00100	12-PIN GAS HARNESS
NS	0259L00102	ECONOMIZER HARNESS
NS	0159L00052	HARNESS JUMPER LONG (M1, M2)
NS	0159L00051	HARNESS, JUMPER SHORT (M1, M2)
NS	0259L00101	MOTOR HARNESS-BELT DRIVE
NS	0259L00103	WIRING HARNESS (M3, M4, M5, M6)
NS	0259L00104	WIRING HARNESS (M1, M2)

Image 2:

112	0121L00585	CAPACITOR MOUNTING PLATE
132	CAP050000370VAS	CAPACITOR 5/370V (QTY 3)
142	B1368250	TERMINAL BLOCK (HIGH VOLTAGE)
NS	0121L00586	CAPACITOR COVER
NS	20520901	CAPACITOR STRAP (QTY 3)
NS	0259L00118	CONDENSER FAN HARNESS, LONG
NS	0259L00117	CONDENSER FAN HARNESS, MEDIUM
NS	0259L00116	CONDENSER FAN HARNESS, SHORT

Expanded Model Nomenclature

M1 - CPG2404003BXSXAA
M2 - CPG2404003BXXXAA
M3 - CPG2404004BXSXAA
M4 - CPG2404004BXXXAA
M5 - CPG2404007BXSXAA
M6 - CPG2404007BXXXAA

THIS PAGE INTENTIONALLY LEFT BLANK