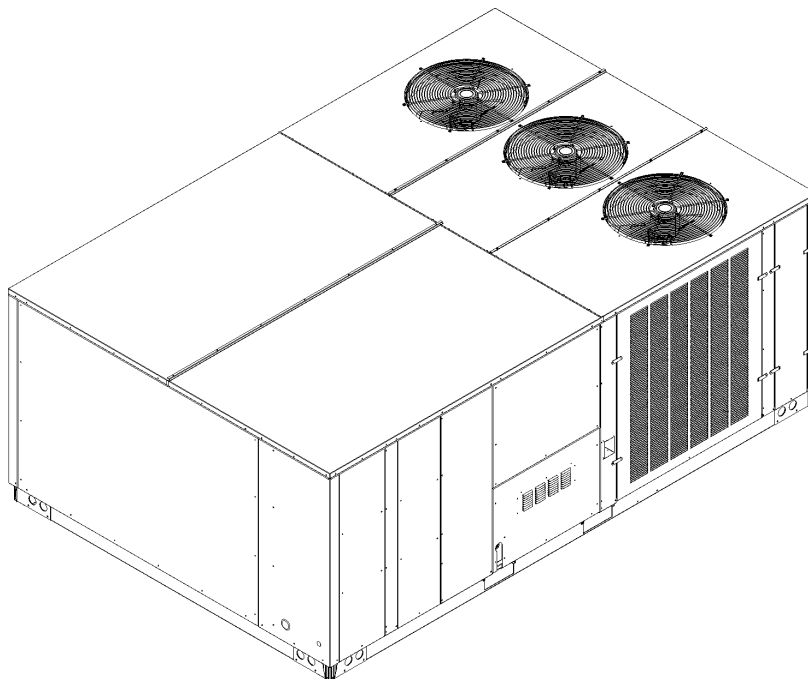




# REPAIR PARTS

## CPG180 15 Ton Commercial Package Gas

- CPG1803503BAXBBB
- CPG1803503BJXNBB
- CPG1803503BJXOBB
- CPG1803503BXSXBB
- CPG1803503BXXABB
- CPG1803503BXXXBB
- CPG1803503HXXXBB
- CPG1803504BAXBBB
- CPG1803504BAXXBB
- CPG1803504BJXNBB
- CPG1803504BJXTBB
- CPG1803504BXSXBB
- CPG1803504BXXXBB
- CPG1803504HXXXBB
- CPG1803507BXSXBB
- CPG1803507BXXXBB
- CPG1803507HJXQBB



This manual is to be used by qualified technicians only.

This manual replaces RP-768.

© 2012-2013 Goodman Manufacturing Company, L.P. ♦ 5151 San Felipe, Suite 500 ♦ Houston, TX 77056

# Important Information

---

## Index

Functional Parts List .....	3
Illustration and Parts .....	4 - 25

*Views shown are for parts illustrations only, not servicing procedures.*

Rev A: addition of models with various FIOP's

### Text Codes:

AR - As Required

NA - Not Available

NS - Not Shown

00000000 - See Note

QTY - Quantity Example (QTY 3) (If Quantity not shown, Quantity = 1)

M - Model Example (M1) (If M Code not shown, then part is used on all Models)

### Expanded Model Nomenclature:

Example M1 - Model#1 M2 - Model#2 M3 - Model#3
---

Goodman Manufacturing Company, L.P. is not responsible for personal injury or property damage resulting from improper service. Review all service information before beginning repairs.

Warranty service must be performed by an authorized technician, using authorized factory parts. If service is required after the warranty expires, Goodman Manufacturing Company, L.P. also recommends contacting an authorized technician and using authorized factory parts.

Goodman Manufacturing Company, L.P. reserves the right to discontinue, or change at any time, specifications or designs without notice or without incurring obligations.

For assistance within the U.S.A. contact:  
Consumer Affairs Department  
Goodman Manufacturing Company, L.P.  
7401 Security Way  
Houston, Texas 77040  
877-254-4729-Telephone  
713-863-2382-Facsimile

For assistance outside the U.S.A. contact:  
International Division  
Goodman Manufacturing Company, L.P.  
7401 Security Way  
Houston, Texas 77040  
713-861-2500-Telephone  
713-863-2382-Facsimile

# Functional Parts

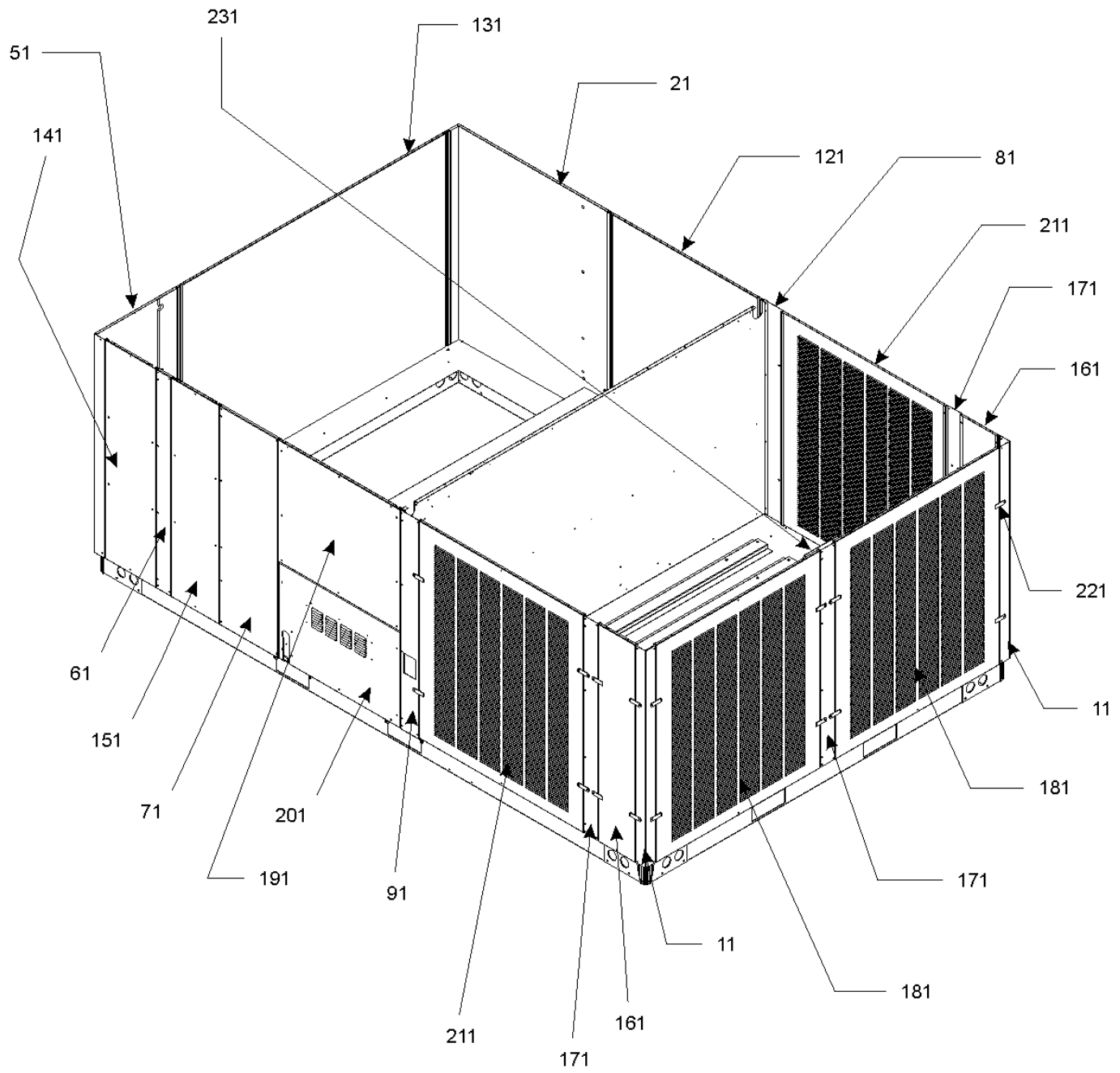
**Part No:**            **Description:**

B1370751	24V RELAY (QTY 2)
0130M00025	24V RELAY (QTY 3)
0130M00044	575V/230V TRANSFORMER (M15, M16, M17)
03-77419	BLOWER WHEEL (QTY 2)
CAP050000370VA	CAPACITOR 5/370V (QTY 3)
ZP83KCETF5250	COMPRESSOR, 83000, 200/230/60/3 (M1, M2, M3, M4, M5, M6, M7)
ZP83KCETFD130	COMPRESSOR, 83000, 460/60/3 (M8, M9, M10, M11, M12, M13, M14)
ZP83KCETFE130	COMPRESSOR, 83000, 575/60/3 (M15, M16, M17)
0131M00008P	COND MOTOR 1/3 HP, 1 SP, 6 PL (M1, M2, M3, M4, M5, M6, M7)
B13400249	COND MOTOR 1/3 HP, 460V (M8, M9, M10, M11, M12, M13, M14)
0131M00179	COND MOTOR, 1/3 HP, 6 PL, 575V (M15, M16, M17)
CONT3P030024V	CONTACTOR 30 AMP, 3P, 24V (M8, M9, M10, M11, M12, M13, M14, M15, M16, M17)
CONT3P040024V	CONTACTOR 40 AMP, 3P, 24V (M1, M2, M3, M4, M5, M6, M7)
0130L00019	CRANK CASE HEATER, 70W, 575V (M15, M16, M17)
0130L00017	CRANK CASE HEATER-70W 240V (M1, M2, M3, M4, M5, M6, M7)
0130L00018	CRANK CASE HEATER-70W, 480V (M8, M9, M10, M11, M12, M13, M14)
0164L00007	FAN BELT, NOTCHED (M7, M14, M17)
0164L00008	FAN BELT, NOTCHED
10625733	FAN BLADE 22" ALUM CCW (QTY 3)
0130F00010	FLAME SENSOR
0130M00074	HIGH PRESSURE SWITCH
PCBAG123	IGNITION BOARD, DSI INTEGRATED
20261709	IGNITOR
0130M00087	LOW PRESSURE SWITCH
10123529	MANUAL RESET LIMIT
0131L00007	MOTOR-5 HP BELT DRIVE 575V 3P (M15, M16, M17)
0131M00274	MOTOR-5.0 HP (M1, M2, M3, M4, M5, M6, M7, M8, M9, M10, M11, M12, M13, M14)
0131L00014	MOTOR-ID VENT
16330-3	POWER BLOCK (M1, M2, M3, M4, M5, M6, M7)
11112501	PRESSURE SWITCH
20162904	PRIMARY LIMIT-TEMPERATURE CONTROL
0130M00038	TERMINAL BOARD
B1141663	TRANSFORMER 460V TO 230V, 150 VA (M8, M9, M10, M11, M12, M13, M14)
B1141653	TRANSFORMER 480V, 75VA, RESETTABLE (M8, M9, M10, M11, M12, M13, M14)
B1141672	TRANSFORMER 480V, 75VA, RESETTABLE (M1, M2, M3, M4, M5, M6, M7)
0130M00045	TRANSFORMER, 575/24V (M15, M16, M17)
0151L00000	VALVE, GAS (HW) VR83
0151L00011	VALVE, TXV R-410A (QTY 8)

Expanded Model Nomenclature

M1 - CPG1803503BAXBBB
M2 - CPG1803503BJXNBB
M3 - CPG1803503BJXOBB
M4 - CPG1803503BXSXBB
M5 - CPG1803503BXXABB
M6 - CPG1803503BXXXBB
M7 - CPG1803503HXXXBB
M8 - CPG1803504BAXBBB
M9 - CPG1803504BAXXBB
M10 - CPG1803504BJXNBB
M11 - CPG1803504BJXTBB
M12 - CPG1803504BXSXBB
M13 - CPG1803504BXXXBB
M14 - CPG1803504HXXXBB
M15 - CPG1803507BXSXBB
M16 - CPG1803507BXXXBB
M17 - CPG1803507HJXQBB

# Cabinet Assembly



# Cabinet Assembly

Ref. Part No: No:	Description:	Ref. Part No: No:	Description:
-------------------	--------------	-------------------	--------------

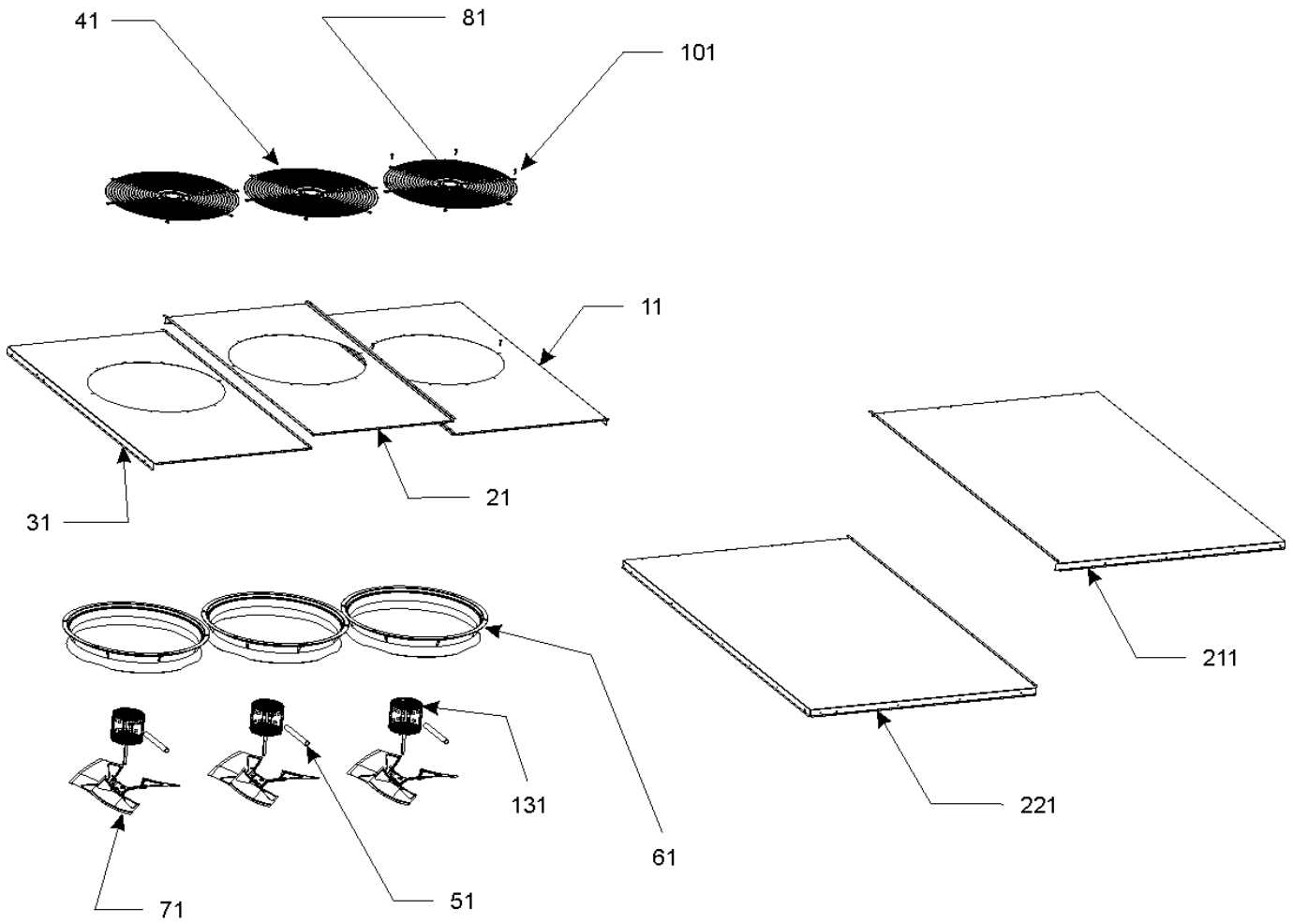
Image 1:

11	0121L00440DG	CORNER POST (QTY 2)
21	0270L00196	INSULATED RETURN CORNER PANEL
51	0270L00219	INSULATED ACCESSORY POST ASSY
61	0270L00205	INSULATED FILTER POST ASSY
71	0270L00258	INSULATED BLOWER POST ASSY
81	0121L00903DG	PNT, POST-PARTITION, EVAP SIDE
91	0121L00904DG	PNT, POST-PARTITION, GAS FLUE
121	0270L00194	INSULATED BLOWER DOOR ASSY
131	0270L00250	INSULATED ACCESSORY PANEL ASSY
141	0121L00687DG	CONTROL DOOR
151	0270L00198	INSULATED FILTER DOOR ASSY
161	0121L00907DG	PNT, PANEL-CONDENSER SIDE (QTY 2)
171	0121L00905DG	PNT, POST-COND PANELS (QTY 3)
181	0121L00537DG	LOUVER PANEL (QTY 2)
191	0270L00259	INSULATED BLOWER DOOR ASSY, HT SIDE
201	0121L00712DG	BURNER DOOR
211	0152L00000	GRILLE-CONDENSER (QTY 2)
221	0121L00476DG	DOOR TURNBUCKLE (QTY 16)
231	0121L00580	CONDENSER POST BRACKET, CENTER
NS	0121L00562DG	COMBUSTION AIR HOOD
NS	M0204317	SCREW-MACH (QTY 16)

Expanded Model Nomenclature

- M1 - CPG1803503BAXBBB
- M2 - CPG1803503BJXNBB
- M3 - CPG1803503BJXOBB
- M4 - CPG1803503BXSXBB
- M5 - CPG1803503BXXABB
- M6 - CPG1803503BXXXBB
- M7 - CPG1803503HXXXBB
- M8 - CPG1803504BAXBBB
- M9 - CPG1803504BAXXBB
- M10 - CPG1803504BJXNBB
- M11 - CPG1803504BJXTBB
- M12 - CPG1803504BXSXBB
- M13 - CPG1803504BXXXBB
- M14 - CPG1803504HXXXBB
- M15 - CPG1803507BXSXBB
- M16 - CPG1803507BXXXBB
- M17 - CPG1803507HJXQBB

# Top Panel Assembly



# Top Panel Assembly

Ref. Part No: No:	Description:	Ref. Part No: No:	Description:
-------------------	--------------	-------------------	--------------

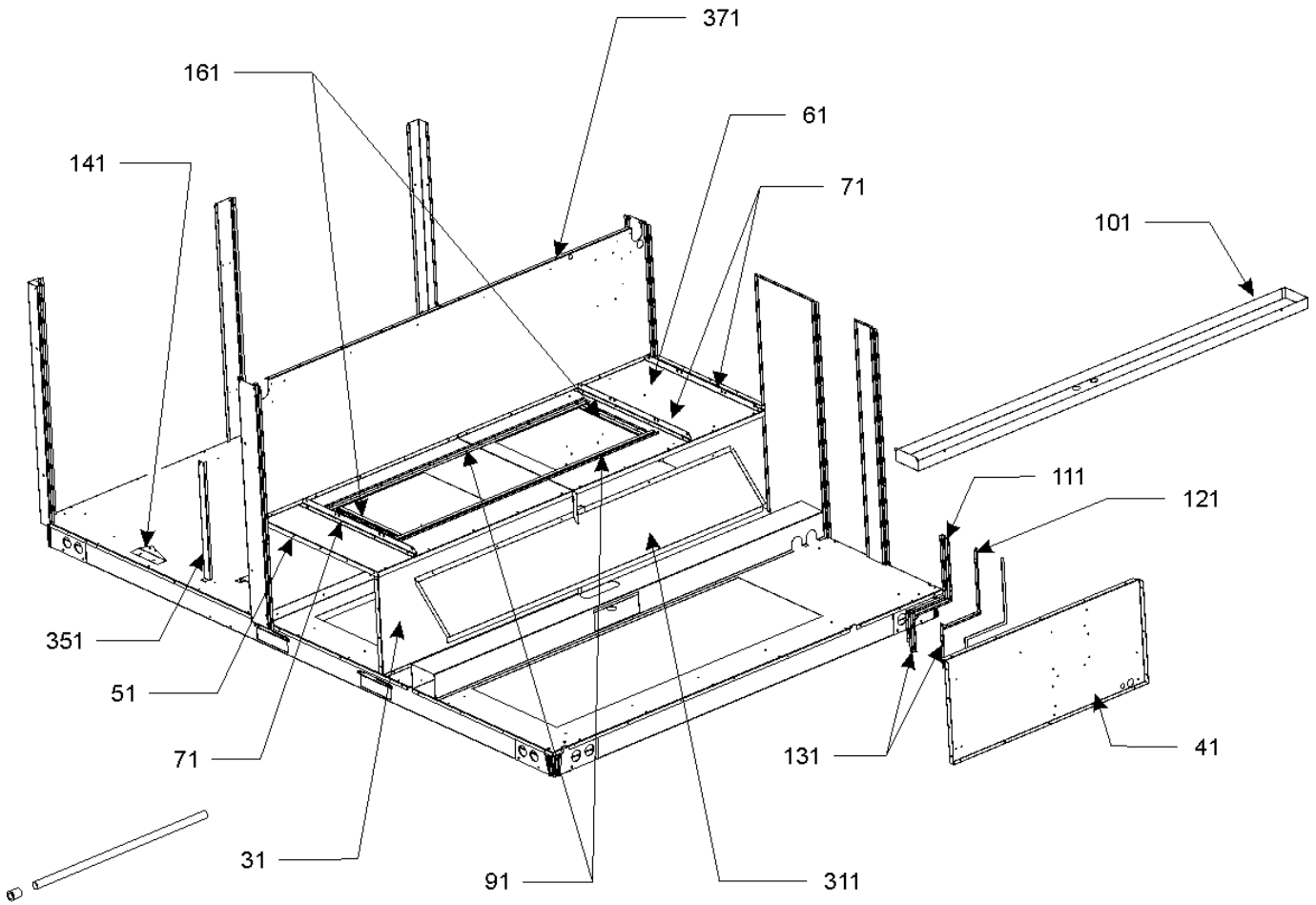
Image 1:

11	0121L01038DG	PNT, TOP-FAN, CONTROL SIDE
21	0121L01039DG	PNT, TOP-FAN, CENTER
31	0121L01040DG	PNT, TOP-FAN, EVAP SIDE
41	0152G00002	GRILLE-FAN (QTY 3)
51	17788000083F	PVC CONDUIT 8.25" (QTY 3)
61	0161L00000	VENTURI RING 22" (QTY 3)
71	10625733	FAN BLADE 22" ALUM CCW (QTY 3)
81	0163M00006P	ACORN NUT 5/16 HEX BLACK (QTY 12)
101	0163M00004	SCREW #10X3/4", BLACK (QTY 2)
131	0131M00008P	COND MOTOR 1/3 HP, 1 SP, 6 PL (M1, M2, M3, M4, M5, M6, M7)
131	B13400249	COND MOTOR 1/3 HP, 460V (M8, M9, M10, M11, M12, M13, M14)
131	0131M00179	COND MOTOR, 1/3 HP, 6 PL, 575V (M15, M16, M17)
211	0270L00193	INSULATED TOP ASSY, CONTROL SIDE
221	0270L00210	INSULATED TOP ASSY, EVAP SIDE

Expanded Model Nomenclature

M1 - CPG1803503BAXBBB
M2 - CPG1803503BJXNBB
M3 - CPG1803503BJXOBB
M4 - CPG1803503BXSXBB
M5 - CPG1803503BXXABB
M6 - CPG1803503BXXXBB
M7 - CPG1803503HXXXBB
M8 - CPG1803504BAXBBB
M9 - CPG1803504BAXXBB
M10 - CPG1803504BJXNBB
M11 - CPG1803504BJXTBB
M12 - CPG1803504BXSXBB
M13 - CPG1803504BXXXBB
M14 - CPG1803504HXXXBB
M15 - CPG1803507BXSXBB
M16 - CPG1803507BXXXBB
M17 - CPG1803507HJXQBB

# Partition Assembly



# Partition Assembly

Ref. Part No: No:	Description:	Ref. Part No: No:	Description:
-------------------	--------------	-------------------	--------------

*Image 1:*

31	0121L00927	DECK-SIDE, DUCT END
41	0121L00684	BLOWER DECK SIDE, HT END
51	0121L00652	BLOWER DECK, EVAP SIDE
61	0121L00653	BLOWER DECK, MOTOR SIDE
71	0121L00714	MOTOR MOUNT ANGLE (QTY 3)
91	0121L00478	BLOWER DECK RAIL (QTY 2)
101	0270L00226DG	DRAIN PAN
111	0121L00551	HEAT EXCHANGER ANGLE, RH SIDE
121	0121L00552	HEAT EXCHANGER ANGLE, LH SIDE
131	0121L00553	LOWER HEAT EXCHANGER ANGLE (QTY 2)
141	0121L00913	BRACKET-COND/BASEPAN (QTY 2)
161	0121L00481	BLOWER RAIL (QTY 2)
311	0121L00736	SHIELD-BLOWOFF
351	0121L00901	BRACE-COND COILS (QTY 2)
371	0121L00825	PARTITION PANEL

Expanded Model Nomenclature

- M1 - CPG1803503BAXBBB
- M2 - CPG1803503BJXNBB
- M3 - CPG1803503BJXOBB
- M4 - CPG1803503BXSXBB
- M5 - CPG1803503BXXABB
- M6 - CPG1803503BXXXBB
- M7 - CPG1803503HXXXBB
- M8 - CPG1803504BAXBBB
- M9 - CPG1803504BAXXBB
- M10 - CPG1803504BJXNBB
- M11 - CPG1803504BJXTBB
- M12 - CPG1803504BXSXBB
- M13 - CPG1803504BXXXBB
- M14 - CPG1803504HXXXBB
- M15 - CPG1803507BXSXBB
- M16 - CPG1803507BXXXBB
- M17 - CPG1803507HJXQBB

# Basepan / Compressor / Tubing Assembly

Image 1

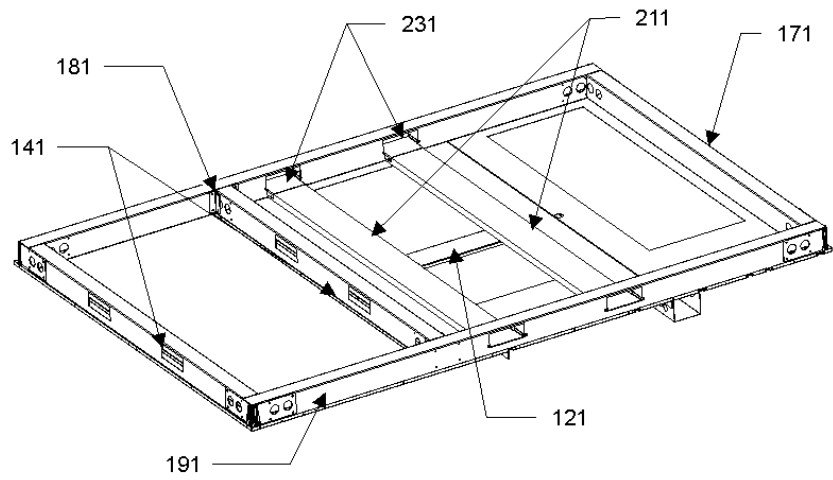
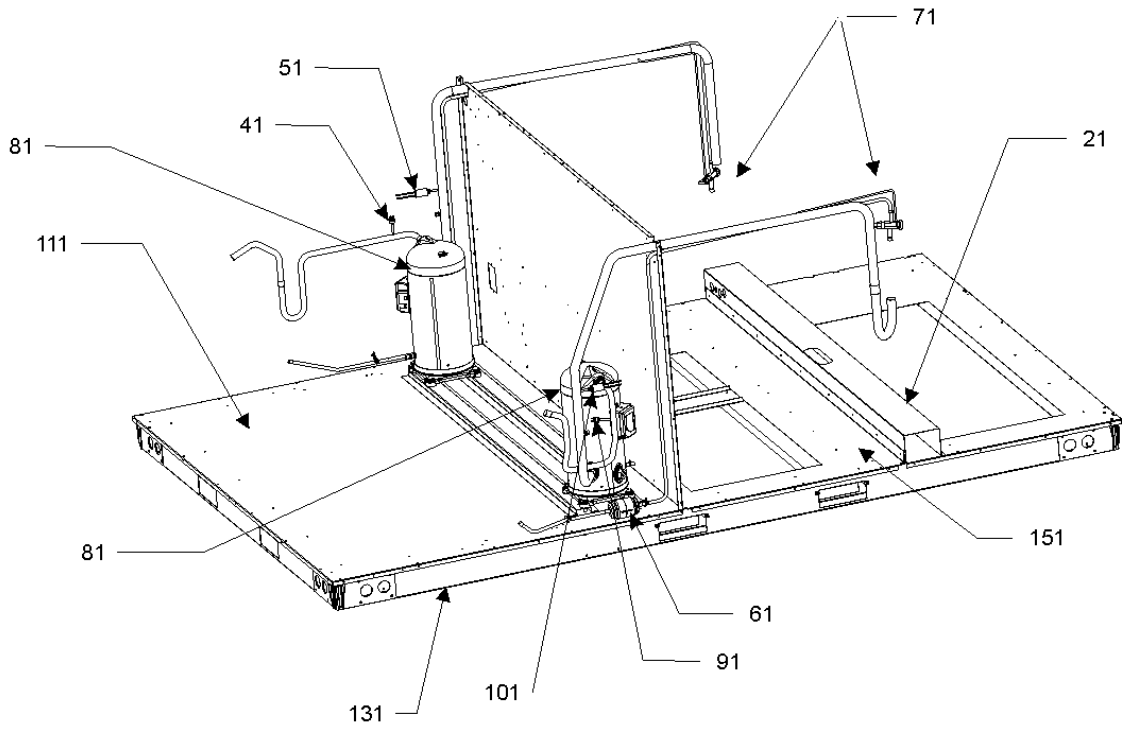


Image 2

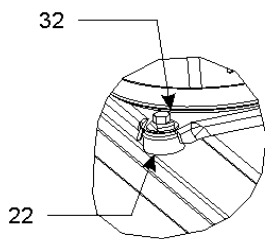
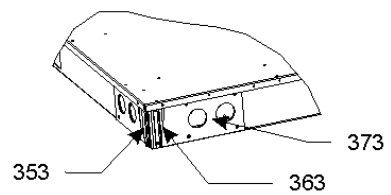


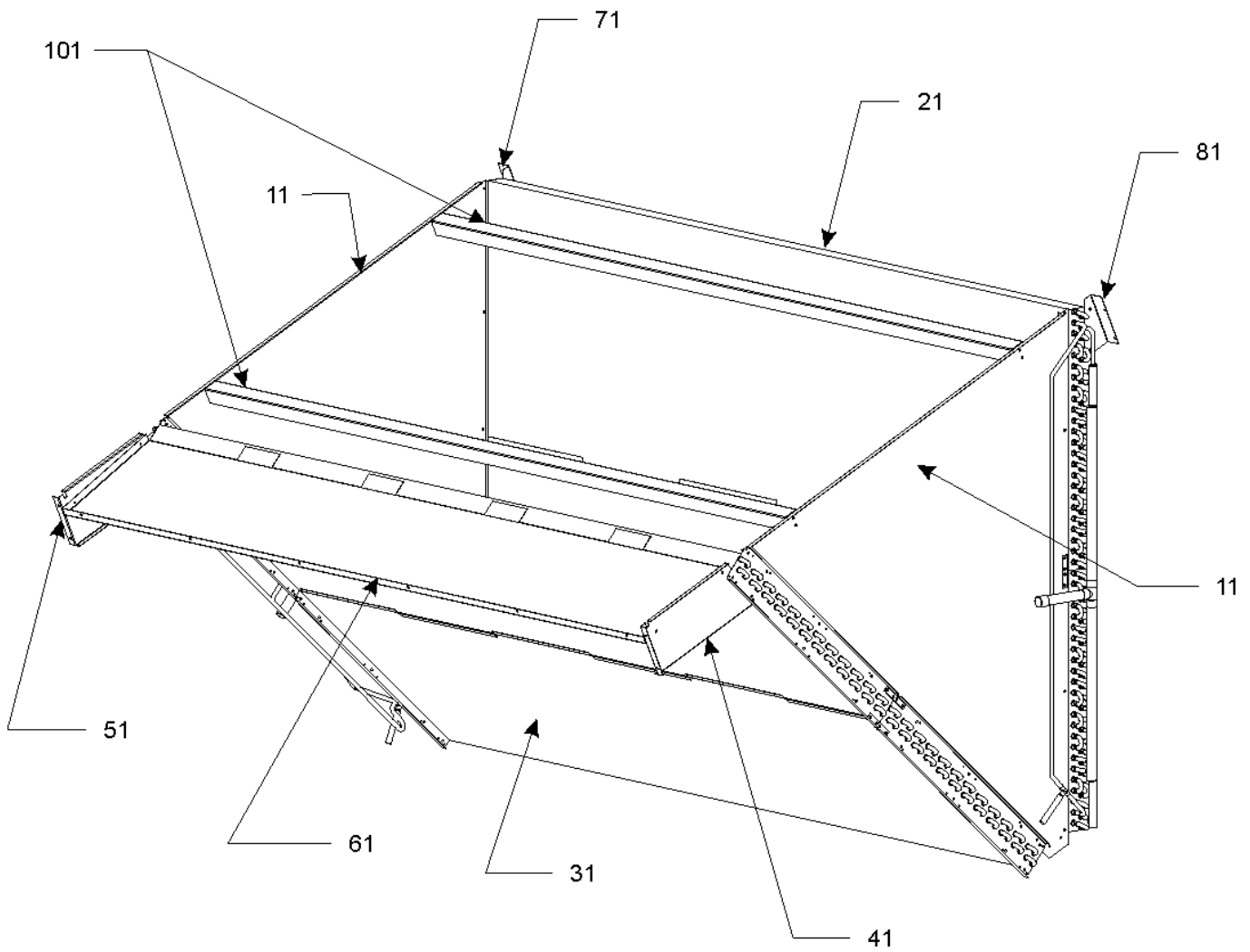
Image 3



# Basepan / Compressor / Tubing Assembly

Ref. Part No: No:	Description:	Ref. Part No: No:	Description:
<i>Image 1:</i>		Expanded Model Nomenclature	
21	0270L00189	BASEPAN WELDMENT, RETURN SIDE	M1 - CPG1803503BAXBBB
41	0130M00074	HIGH PRESSURE SWITCH, C1	M2 - CPG1803503BJXNBB
51	0130M00087	LOW PRESSURE SWITCH, C1	M3 - CPG1803503BJXOBB
61	0151M00012	BI-FLOW FILTER DRIER	M4 - CPG1803503BXSXBB
71	0151L00011	VALVE, TXV R-410A (QTY 8)	M5 - CPG1803503BXXABB
81	ZP83KCETF5250	COMPRESSOR, 83000, 200/230/60/3 (M1, M2, M3, M4, M5, M6, M7)	M6 - CPG1803503BXXXBB
81	ZP83KCETFD130	COMPRESSOR, 83000, 460/60/3 (M8, M9, M10, M11, M12, M13, M14)	M7 - CPG1803503HXXXBB
81	ZP83KCETFE130	COMPRESSOR, 83000, 575/60/3 (M15, M16, M17)	M8 - CPG1803504BAXBBB
91	0130M00074	HIGH PRESSURE SWITCH, C2	M9 - CPG1803504BAXXBB
101	0130M00087	LOW PRESSURE SWITCH, C2	M10 - CPG1803504BJXNBB
111	0270L00336	BASEPAN WELD, OUTDOOR	M11 - CPG1803504BJXTBB
121	0121L00605	FORK BOARD PLATE	M12 - CPG1803504BXSXBB
131	0121L00720	SIDE RAIL	M13 - CPG1803504BXXXBB
141	0121L00721	BASE RAIL, CONDENSER END (QTY 2)	M14 - CPG1803504HXXXBB
151	0121L01032	BASEPAN, SUPPLY	M15 - CPG1803507BXSXBB
171	0121L00722	BASE RAIL, ACCESSORY END	M16 - CPG1803507BXXXBB
181	0121L00625	COMPRESSOR RAIL BRACKET (QTY 4)	M17 - CPG1803507HJXQBB
191	0121L00719	CONTROL SIDE BASE RAIL	
211	0141L00029	FORK BOARD (QTY 2)	
231	0121L00724	FORK BOARD BRACKET (QTY 4)	
NS	0163M00175	CAP WITH O-RING (QTY 4)	
NS	0159L00035	COMPRESSOR SCROLL HARNESS (M8, M9, M10, M11, M12, M13, M14, M15, M16, M17)	
NS	0159L00048	COMPRESSOR SCROLL HARNESS (M1, M2, M3, M4, M5, M6, M7)	
NS	0130L00019	CRANK CASE HEATER, 70W, 575V (M15, M16, M17)	
NS	0130L00017	CRANK CASE HEATER-70W 240V (M1, M2, M3, M4, M5, M6, M7)	
NS	0130L00018	CRANK CASE HEATER-70W, 480V (M8, M9, M10, M11, M12, M13, M14)	
<i>Image 2:</i>			
22	0164M00018	COMPRESSOR GROMMET (QTY 8)	
32	B1393740	COMPRESSOR BOLT & SLEEVE (QTY 8)	
<i>Image 3:</i>			
353	0121L00616	RAIL BRACE ANGLE, RIGHT (QTY 4)	
363	0121L00617	RAIL BRACE ANGLE, LEFT (QTY 4)	
373	0121L00723	BASE RAIL CORNER BRACE (QTY 4)	

# Condenser Assembly



# Condenser Assembly

Ref. Part No:	Ref. Part No:	Description:	Description:
---------------	---------------	--------------	--------------

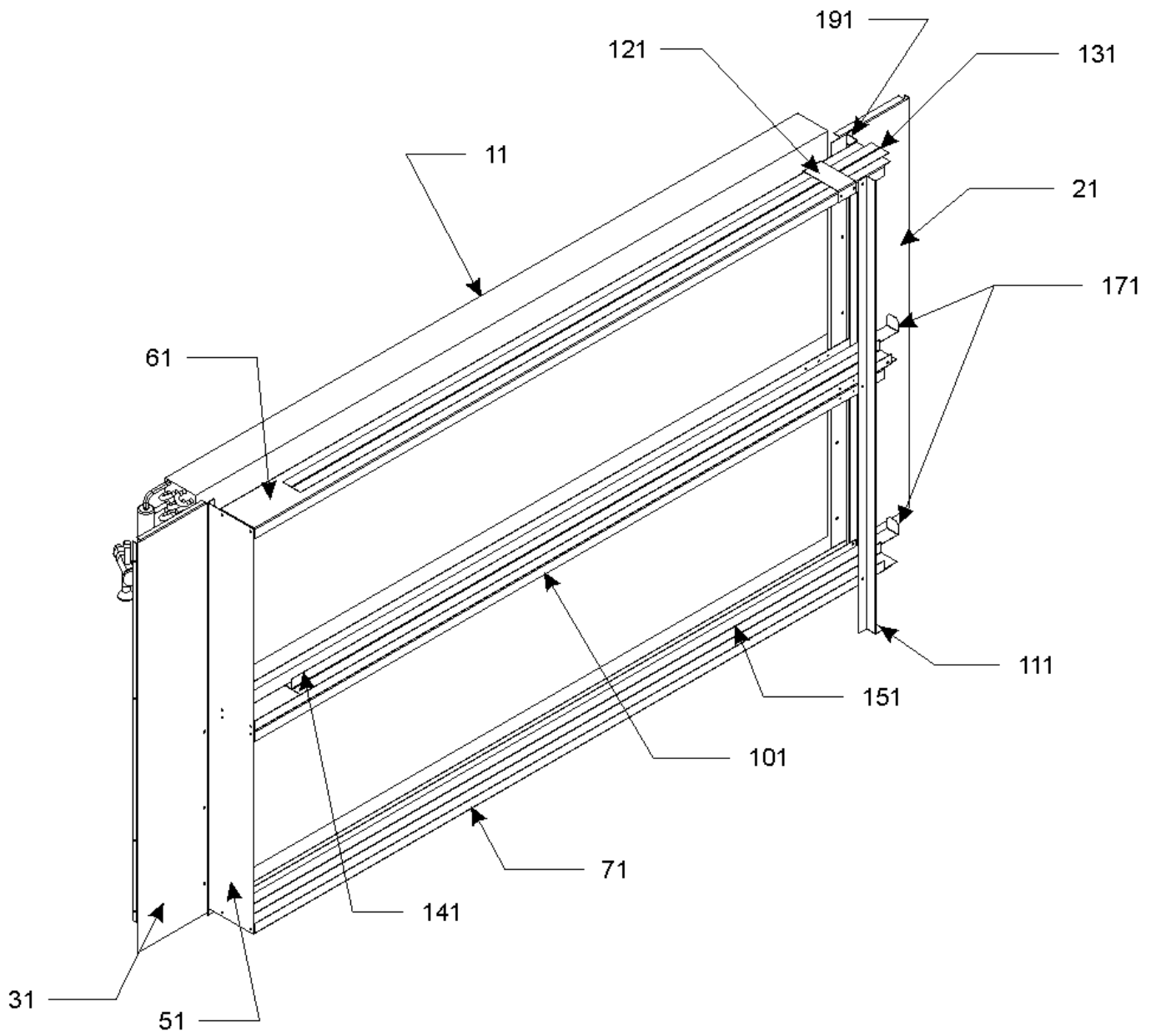
Image 1:

11	0121L00854	END COVER-CONDENSER (QTY 2)
21	0201L00123	CONDENSER COIL ASSY, C1
31	0201L00124	CONDENSER COIL ASSY C2
41	0121L00861	BRACKET-CONDENSER END
51	0121L00862	BRACKET-CONDENSER END
61	0121L00572	CONDENSER BLOCKOFF, INSIDE TOP
71	0121L00863	BRACKET-COND/POST
81	0121L00864	BRACKET-COND/POST
101	0121L01037	ANGLE, TOP BRACE (QTY 2)

Expanded Model Nomenclature

M1 - CPG1803503BAXB
M2 - CPG1803503BJXNB
M3 - CPG1803503BJXOB
M4 - CPG1803503BXSXB
M5 - CPG1803503BXXAB
M6 - CPG1803503BXXXB
M7 - CPG1803503HXXXB
M8 - CPG1803504BAXB
M9 - CPG1803504BAXB
M10 - CPG1803504BJXNB
M11 - CPG1803504BJXOB
M12 - CPG1803504BXSXB
M13 - CPG1803504BXXXB
M14 - CPG1803504HXXXB
M15 - CPG1803507BXSXB
M16 - CPG1803507BXXXB
M17 - CPG1803507HJXQB

# Evaporator Assembly



# Evaporator Assembly

Ref. Part No: No:	Description:	Ref. Part No: No:	Description:
-------------------	--------------	-------------------	--------------

Image 1:

11	0202L00047	EVAPORATOR COIL ASSY (QTY 2)
21	0121L00698	EVAPORATOR BLOCKOFF PANEL
31	0121L00848	PANEL-EVAPORATOR, SMOKE DET
51	0121L00933	ANGLE-FILTER, LEFT VERTICAL
61	0121L00629	TOP FILTER RACK (QTY 2)
71	0121L00701	BOTTOM FILTER RACK
101	0270L00230	CENTER FILTER RACK
111	0121L00632	FILTER SUPPORT ANGLE
121	0121L00634	TOP ANGLE BRACKET
131	0270L00271	WELDMENT-TOP SLIDER
141	0270L00232	CENTER SLIDER
151	0270L00233	BOTTOM SLIDER
171	0121L00640	FILTER PULL (QTY 2)
191	0121L00702	RIGHT SIDE BLOCKOFF, FILTER RACK
NS	0121L00703	BOTTOM BLOCKOFF, FILTER RACK
NS	B1369611	FILTER 20 X 25 X 2 (QTY 6)

Expanded Model Nomenclature

M1 - CPG1803503BAXB
M2 - CPG1803503BJXNB
M3 - CPG1803503BJXOB
M4 - CPG1803503BXSXB
M5 - CPG1803503BXXAB
M6 - CPG1803503BXXXB
M7 - CPG1803503HXXXB
M8 - CPG1803504BAXB
M9 - CPG1803504BAXXB
M10 - CPG1803504BJXNB
M11 - CPG1803504BJXTB
M12 - CPG1803504BXSXB
M13 - CPG1803504BXXXB
M14 - CPG1803504HXXXB
M15 - CPG1803507BXSXB
M16 - CPG1803507BXXXB
M17 - CPG1803507HJXQB

# Blower Assembly

Image 1

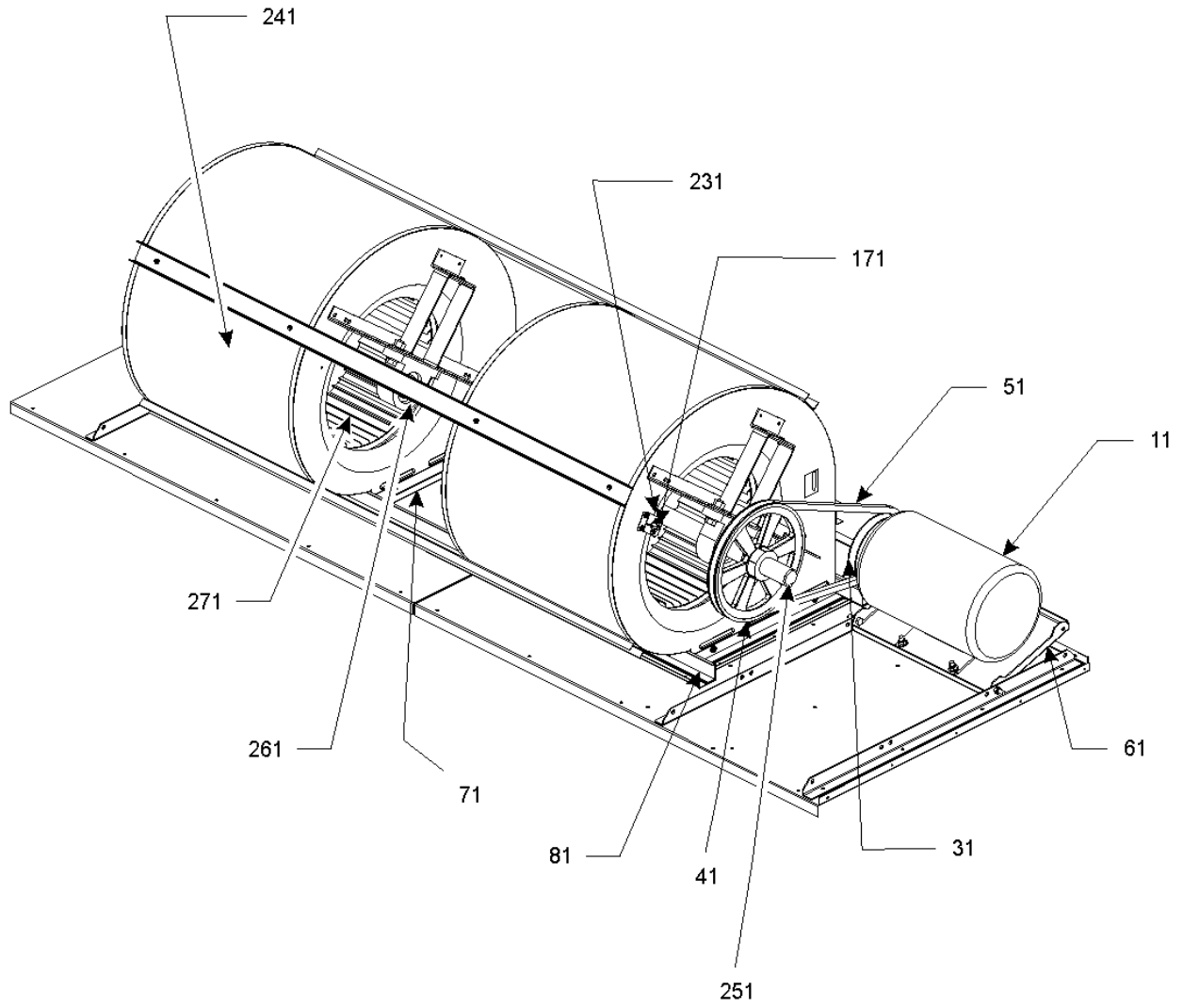
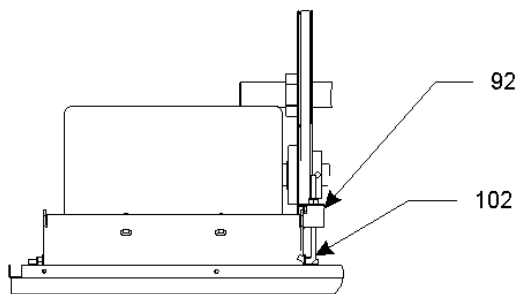


Image 2



# Blower Assembly

Ref. Part No:	Ref. Part No:	Description:	Description:
---------------	---------------	--------------	--------------

*Image 1:*

11	0131L00007	MOTOR-5 HP BELT DRIVE 575V 3P (M15, M16, M17)
11	0131M00274	MOTOR-5.0 HP (M1, M2, M3, M4, M5, M6, M7, M8, M9, M10, M11, M12, M13, M14)
31	0163L00035	VARIABLE PITCH SHEAVE
41	0163L00054	SHEAVE-FIXED (M7, M14, M17)
41	0163L00059	SHEAVE-FIXED
51	0164L00007	FAN BELT, NOTCHED (M7, M14, M17)
51	0164L00008	FAN BELT, NOTCHED
61	0121L00555	MOTOR BASE PLATE
71	0121L00482	BLOWER SIDE ANGLE (QTY 4)
81	0121L00654	BLOWER RAIL (QTY 2)
171	0130M00064	LIMIT
231	0121L00594	SECONDARY LIMIT BRACKET
241	04-01543	BLOWER HOUSING ASSY (QTY 2)
251	04-11555	BLOWER SHAFT
261	04-02198	BLOWER BEARING & FRAME ASSY (QTY 2)
271	03-77419	BLOWER WHEEL (QTY 2)

*Image 2:*

92	0121L00557	MOTOR ADJUST BRACKET
102	0163L00034	HOKED BOLT

Expanded Model Nomenclature

- M1 - CPG1803503BAXBBB
- M2 - CPG1803503BJXNBB
- M3 - CPG1803503BJXOBB
- M4 - CPG1803503BXSXBB
- M5 - CPG1803503BXXABB
- M6 - CPG1803503BXXXBB
- M7 - CPG1803503HXXXBB
- M8 - CPG1803504BAXBBB
- M9 - CPG1803504BAXXBB
- M10 - CPG1803504BJXNBB
- M11 - CPG1803504BJXTBB
- M12 - CPG1803504BXSXBB
- M13 - CPG1803504BXXXBB
- M14 - CPG1803504HXXXBB
- M15 - CPG1803507BXSXBB
- M16 - CPG1803507BXXXBB
- M17 - CPG1803507HJXQBB

# Heat Exchanger Assembly

Image 1

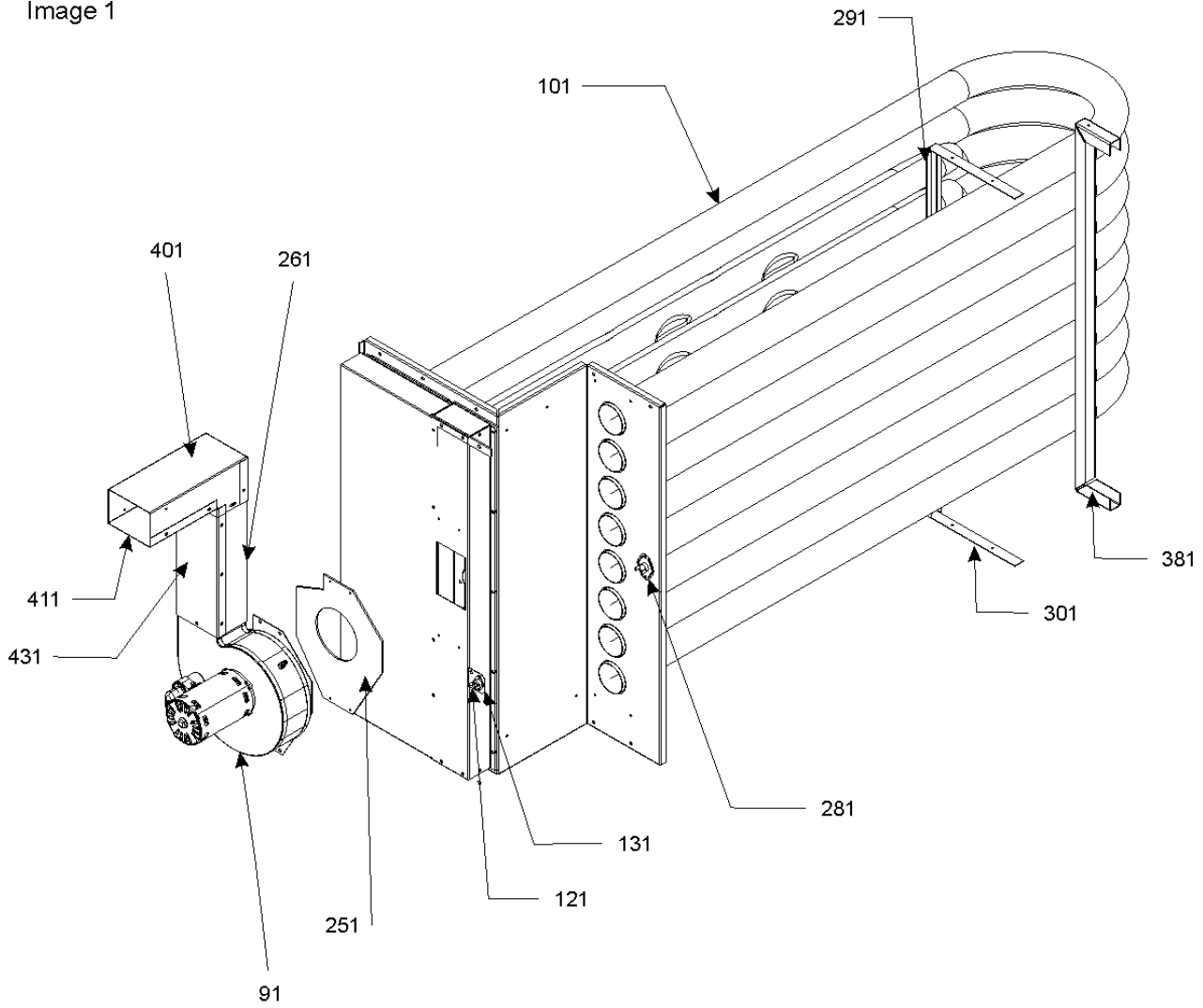


Image 2

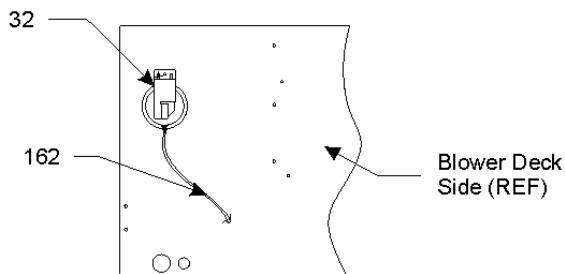
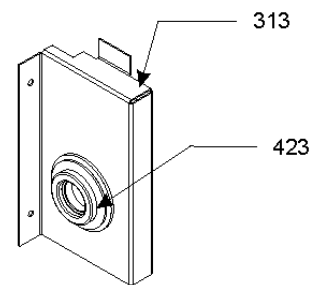


Image 3



# Heat Exchanger Assembly

Ref. Part No:	Part No:	Description:	Ref. Part No:	Part No:	Description:
---------------	----------	--------------	---------------	----------	--------------

*Image 1:*

91	0131L00014	MOTOR-ID VENT
101	0270L00236	PARTITION TUBE ASSY 7B (M1, M2, M3, M5, M6, M7, M8, M9, M10, M11, M13, M14, M16, M17)
101	0270L00237	PARTITION TUBE ASSY 7B, SS (M4, M12, M15)
121	10123529	MANUAL RESET LIMIT
131	0121L00053	FLAME ROLLOUT BRACKET
251	0154L00029	ID BLOWER GASKET
261	0121L00668	FLUE WRAPPER, BACK
281	20162904	PRIMARY LIMIT-TEMPERATURE CONTROL
291	0121L00808	SUPPORT-HEAT TUBES
301	0121L00823	BRACKET-TUBE SUPPORT (QTY 2)
381	0121L00930	SUPPORT-HEAT TUBES 2.25
401	0121L00670	FLUE WRAPPER EXIT
411	0121L00671	FLUE COVER EXIT
431	0121L00669	FLUE COVER, FRONT
NS	0154L00025	COVER GASKET
NS	0163L00040	FLUE SCREEN
NS	0154L00026	INNER COLLECTOR BOX GASKET
NS	0154L00027	OUTER COLLECTOR BOX GASKET

*Image 2:*

32	11112501	PRESSURE SWITCH
162	A3468601	PRESSURE SWITCH HOSE

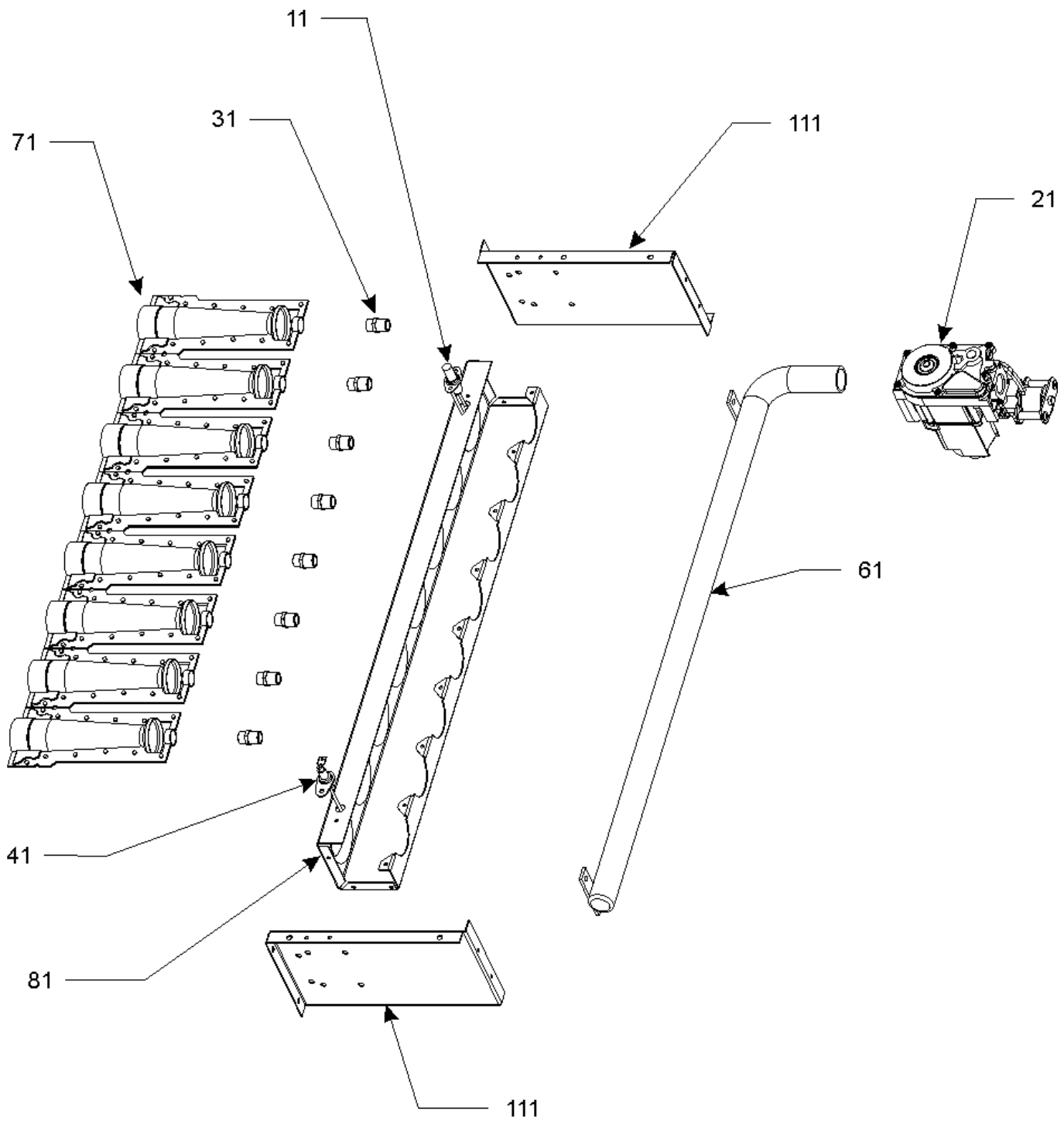
*Image 3:*

313	0121L00697	GAS VALVE PIPE BRACKET
423	B1910013	GAS LINE GROMMET

Expanded Model Nomenclature

M1 - CPG1803503BAXB
M2 - CPG1803503BJXNB
M3 - CPG1803503BJXOB
M4 - CPG1803503BXSXB
M5 - CPG1803503BXXAB
M6 - CPG1803503BXXXB
M7 - CPG1803503HXXXB
M8 - CPG1803504BAXB
M9 - CPG1803504BAXXB
M10 - CPG1803504BJXNB
M11 - CPG1803504BJXTB
M12 - CPG1803504BXSXB
M13 - CPG1803504BXXXB
M14 - CPG1803504HXXXB
M15 - CPG1803507BXSXB
M16 - CPG1803507BXXXB
M17 - CPG1803507HJXQB

# Burner Assembly



# Burner Assembly

Ref. Part No: No:	Description:	Ref. Part No: No:	Description:
-------------------	--------------	-------------------	--------------

Image 1:

11	20261709	IGNITOR
21	0151L00000	VALVE, GAS (HW) VR83
31	0163L00014	ORIFICE (QTY 7)
41	0130F00010	FLAME SENSOR
61	0163L00051	GAS MANIFOLD, 7 BURNER
71	0163L00000	BECKETT BURNER (QTY 7)
81	0121L00656	BRACKET-7 BURNERS
111	0121G00268	BRACKET-BURNER TOP/BOT (QTY 2)

Expanded Model Nomenclature

M1 - CPG1803503BAXBBB
M2 - CPG1803503BJXNBB
M3 - CPG1803503BJXOBB
M4 - CPG1803503BXSXBB
M5 - CPG1803503BXXABB
M6 - CPG1803503BXXXBB
M7 - CPG1803503HXXXBB
M8 - CPG1803504BAXBBB
M9 - CPG1803504BAXXBB
M10 - CPG1803504BJXNBB
M11 - CPG1803504BJXTBB
M12 - CPG1803504BXSXBB
M13 - CPG1803504BXXXBB
M14 - CPG1803504HXXXBB
M15 - CPG1803507BXSXBB
M16 - CPG1803507BXXXBB
M17 - CPG1803507HJXQBB

# Control Box / Capacitor Assembly

Image 1

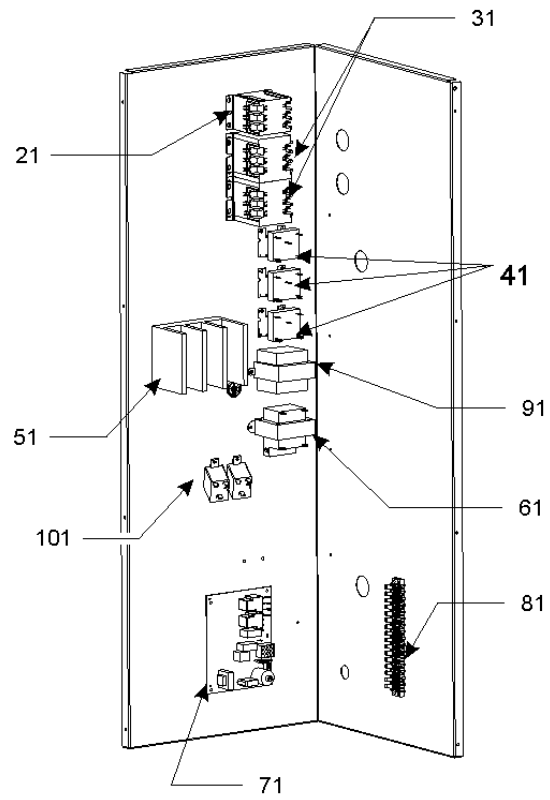
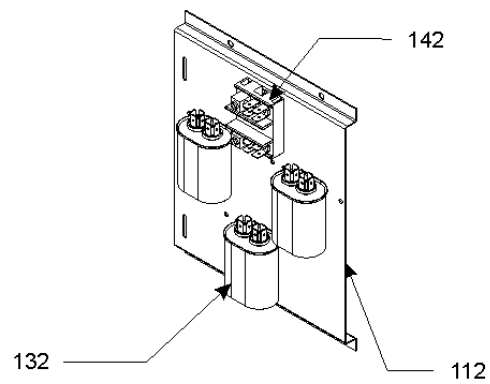


Image 2



# Control Box / Capacitor Assembly

Ref. Part No:	Part No:	Description:	Ref. Part No:	Part No:	Description:
---------------	----------	--------------	---------------	----------	--------------

*Image 1:*

21	CONT3P030024V	CONTACTOR 30 AMP, 3P, 24V (M8, M9, M10, M11, M12, M13, M14, M15, M16, M17)
31	CONT3P040024V	CONTACTOR 40 AMP, 3P, 24V (M1, M2, M3, M4, M5, M6, M7)
41	0130M00025	24V RELAY (QTY 3)
51	16330-3	POWER BLOCK (M1, M2, M3, M4, M5, M6, M7)
61	B1141653	TRANSFORMER 480V, 75VA, RESETTABLE (M8, M9, M10, M11, M12, M13, M14)
61	B1141672	TRANSFORMER 480V, 75VA, RESETTABLE (M1, M2, M3, M4, M5, M6, M7)
61	0130M00045	TRANSFORMER, 575/24V (M15, M16, M17)
71	PCBAG123	IGNITION BOARD, DSI INTEGRATED
81	0130M00038	TERMINAL BOARD
91	0130M00044	575V/230V TRANSFORMER (M15, M16, M17)
91	B1141663	TRANSFORMER 460V TO 230V, 150 VA (M8, M9, M10, M11, M12, M13, M14)
101	B1370751	24V RELAY (QTY 2)
NS	0259L00102	ECONOMIZER HARNESS
NS	0159L00052	HARNESS JUMPER LONG (M1, M2, M3, M4, M5, M6, M7)
NS	0259L00134	HARNESS, 12 PIN GAS
NS	0159L00051	HARNESS, JUMPER SHORT (M1, M2, M3, M4, M5, M6, M7)
NS	0259L00101	MOTOR HARNESS-BELT DRIVE
NS	0259L00136	WIRE HARNESS ASSY

*Image 2:*

112	0121L00585	CAPACITOR MOUNTING PLATE
132	CAP050000370VA	CAPACITOR 5/370V (QTY 3)
142	B1368250	TERMINAL BLOCK (HIGH VOLTAGE)
NS	0121L00586	CAPACITOR COVER
NS	20520901	CAPACITOR STRAP (QTY 3)
NS	0259L00118	CONDENSER FAN HARNESS, LONG
NS	0259L00117	CONDENSER FAN HARNESS, MEDIUM
NS	0259L00116	CONDENSER FAN HARNESS, SHORT

Expanded Model Nomenclature

M1 - CPG1803503BAXBBB
M2 - CPG1803503BJXNBB
M3 - CPG1803503BJXOBB
M4 - CPG1803503BXSXBB
M5 - CPG1803503BXXABB
M6 - CPG1803503BXXXBB
M7 - CPG1803503HXXXBB
M8 - CPG1803504BAXBBB
M9 - CPG1803504BAXXBB
M10 - CPG1803504BJXNBB
M11 - CPG1803504BJXTBB
M12 - CPG1803504BXSXBB
M13 - CPG1803504BXXXBB
M14 - CPG1803504HXXXBB
M15 - CPG1803507BXSXBB
M16 - CPG1803507BXXXBB
M17 - CPG1803507HJXQBB

# Accessory Parts List

# Accessory Parts

Ref. Part No: No:	Description:	Ref. Part No: No:	Description:
-------------------	--------------	-------------------	--------------

Image 1:

NS 0130M00065	CIRCUIT BREAKER, CONVENIENCE OUTLET (M1, M2, M3, M8, M10, M11)
NS 0270L00275	CONVENIENCE OUTLET ASSY-NP (M1, M2, M3, M5, M8, M10, M11, M17)
NS DSC060C50Y001FI	DISCONNECT MODULE ASSY (M10, M11, M17)
NS DSC100C50Y001FI	DISCONNECT MODULE ASSY (M2, M3)
NS DNECONGS180240	ECONOMIZER DOWNFLOW GAS/AC (M1, M2, M3, M8, M9, M10, M11, M17)
NS LAKT180240FIAC	LOW AMBIENT KIT-15-20 TON (M11, M17)
NS SDRKT01FI15T20	SMOKE DETECTOR ASSEMBLY (M2, M10, M17)
NS SDSRKT01FI15T20	SMOKE DETECTOR ASSEMBLY (M3, M11)
NS 0130M00061	TRANSFORMER, CONVENIENCE OUTLET (M1, M2, M3, M8, M10, M11)

Expanded Model Nomenclature

M1 - CPG1803503BAXB
M2 - CPG1803503BJXNB
M3 - CPG1803503BJXOB
M4 - CPG1803503BXSXB
M5 - CPG1803503BXXAB
M6 - CPG1803503BXXXB
M7 - CPG1803503HXXXB
M8 - CPG1803504BAXB
M9 - CPG1803504BAXXB
M10 - CPG1803504BJXNB
M11 - CPG1803504BJXTB
M12 - CPG1803504BXSXB
M13 - CPG1803504BXXXB
M14 - CPG1803504HXXXB
M15 - CPG1803507BXSXB
M16 - CPG1803507BXXXB
M17 - CPG1803507HJXQB