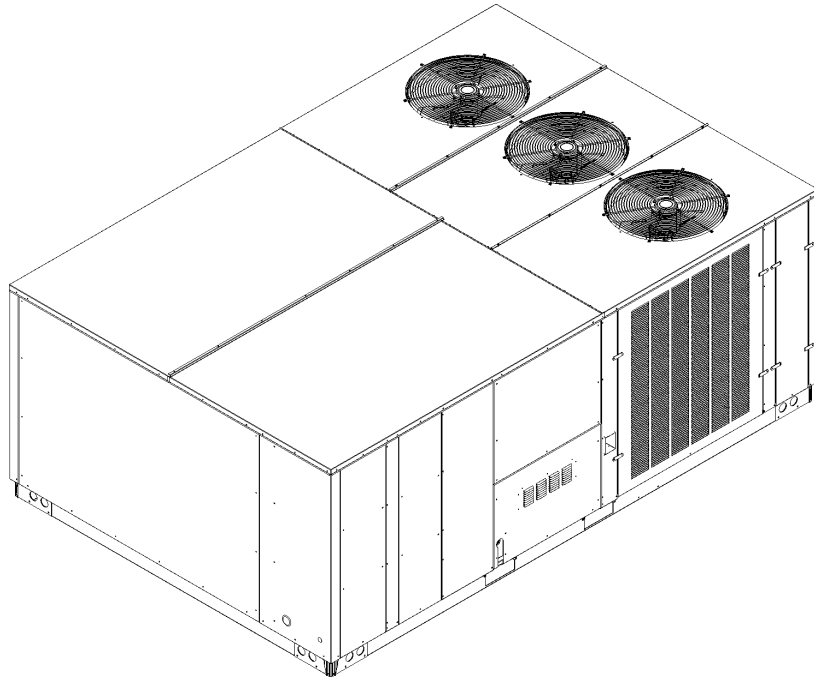


REPAIR PARTS

CPG180 15 Ton Commercial Package Gas

CPG1803503BAJBAA
CPG1803503BAJBAB
CPG1803503BHXZAA
CPG1803503BHXZAB
CPG1803503BXSXAA
CPG1803503BXXXAA
CPG1803504BAXBAA
CPG1803504BXSXAA
CPG1803504BXXXAA
CPG1803507BXSXAA
CPG1803507BXXXAA



This manual is to be used by qualified technicians only.

This manual replaces RP-600A.

© 2010-2013 Goodman Manufacturing Company, L.P. ♦ 5151 San Felipe, Suite 500 ♦ Houston, TX 77056

Important Information

Index

Functional Parts List	3
Illustration and Parts	4 - 25

Views shown are for parts illustrations only, not servicing procedures.

Rev B: Addition of models with two isolation relays & various FIOP's (factory installed options)

Text Codes:

AR - As Required

NA - Not Available

NS - Not Shown

00000000 - See Note

QTY - Quantity Example (QTY 3) (If Quantity not shown, Quantity = 1)

M - Model Example (M1) (If M Code not shown, then part is used on all Models)

Expanded Model Nomenclature:

Example M1 - Model#1 M2 - Model#2 M3 - Model#3

Goodman Manufacturing Company, L.P. is not responsible for personal injury or property damage resulting from improper service. Review all service information before beginning repairs.

Warranty service must be performed by an authorized technician, using authorized factory parts. If service is required after the warranty expires, Goodman Manufacturing Company, L.P. also recommends contacting an authorized technician and using authorized factory parts.

Goodman Manufacturing Company, L.P. reserves the right to discontinue, or change at any time, specifications or designs without notice or without incurring obligations.

For assistance within the U.S.A. contact:
Consumer Affairs Department
Goodman Manufacturing Company, L.P.
7401 Security Way
Houston, Texas 77040
877-254-4729-Telephone
713-863-2382-Facsimile

For assistance outside the U.S.A. contact:
International Division
Goodman Manufacturing Company, L.P.
7401 Security Way
Houston, Texas 77040
713-861-2500-Telephone
713-863-2382-Facsimile

Functional Parts

Part

No: Description:

Part No:	Description:	Part No:	Description:
0130M00025	24V RELAY (QTY 3)	B1141653	TRANSFORMER 480V, 75VA, RESETTABLE (M7, M8, M9)
B1370751	24V RELAY (M1, M2, M3, M4, M5, M6)	B1141672	TRANSFORMER 480V, 75VA, RESETTABLE (M1, M2, M3, M4, M5, M6)
CAP050000370VA	CAPACITOR 5/370V (QTY 3)	0130M00045	TRANSFORMER, 575/24V (M10, M11)
ZP83KCETFD130	COMP, 83000, 460/60/3 (M7, M8, M9)	0151L00000	VALVE, GAS (HW) VR83
ZP83KCETF5250	COMPRESSOR, 83000, 200/230/60/3 (M1, M2, M3, M4, M5, M6)		
ZP83KCETFE130	COMPRESSOR, 83000, 575/60/3 (M10, M11)		
ZP90KCETF5155	COMPRESSOR, 90,500, 200/230/60/3 (M1, M2, M3, M4, M5, M6)		
ZP90KCETFD155	COMPRESSOR, 90,500, 460/60/3 (M7, M8, M9)		
ZP90KCETFE155	COMPRESSOR, 90,500, 575/60/3 (M10, M11)		
0131M00008P	COND MOTOR 1/3 HP, 1 SP, 6 PL (M1, M2, M3, M4, M5, M6)		
B13400249	COND MOTOR 1/3 HP, 460V (M7, M8, M9)		
0131M00179	COND MOTOR, 1/3 HP, 6 PL, 575V (M10, M11)		
CONT3P030024V	CONTACTOR 30 AMP, 3P, 24V (M7, M8, M9, M10, M11)		
CONT3P040024V	CONTACTOR 40 AMP, 3P, 24V (M1, M2, M3, M4, M5, M6)		
0130L00019	CRANK CASE HEATER, 70W, 575V (M10, M11)		
0130L00020	CRANK CASE HEATER, 90W, 240V (M1, M2, M3, M4, M5, M6)		
0130L00021	CRANK CASE HEATER, 90W, 480V (M7, M8, M9)		
0130L00022	CRANK CASE HEATER, 90W, 575V (M10, M11)		
0130L00017	CRANK CASE HEATER-70W 240V (M1, M2, M3, M4, M5, M6)		
0130L00018	CRANK CASE HEATER-70W, 480V (M7, M8, M9)		
0164L00008	FAN BELT, NOTCHED		
10625733	FAN BLADE 22" ALUM CCW (QTY 3)		
0130F00010	FLAME SENSOR		
PCBAG123	IGNITION BOARD, DSI INTEGRATED		
20261709	IGNITOR		
0130M00064	LIMIT		
0130M00087	LOW PRESSURE SWITCH		
10123529	MANUAL RESET LIMIT		
0131L00007	MOTOR-5 HP BELT DRIVE 575V 3P (M10, M11)		
0131M00274	MOTOR-5.0 HP (M1, M2, M3, M4, M5, M6, M7, M8, M9)		
0131L00014	MOTOR-ID VENT		
11112501	PRESSURE SWITCH		
20162904	PRIMARY LIMIT-TEMPERATURE CONTROL		
B1141663	TRANSFORMER 460V TO 230V, 150 VA (M7, M8, M9)		

SPECIAL PARTS

B1369611 FILTER 20 X 25 X 2 (QTY 6)

Expanded Model Nomenclature

M1 - CPG1803503BAJBAA
M2 - CPG1803503BAJBAB
M3 - CPG1803503BHXZAA
M4 - CPG1803503BHXZAB
M5 - CPG1803503BXSXAA
M6 - CPG1803503BXXXAA
M7 - CPG1803504BAXBAA
M8 - CPG1803504BXSXAA
M9 - CPG1803504BXXXAA
M10 - CPG1803507BXSXAA
M11 - CPG1803507BXXXAA

Cabinet Assembly

Ref. Part No: No:	Description:	Ref. Part No: No:	Description:
-------------------	--------------	-------------------	--------------

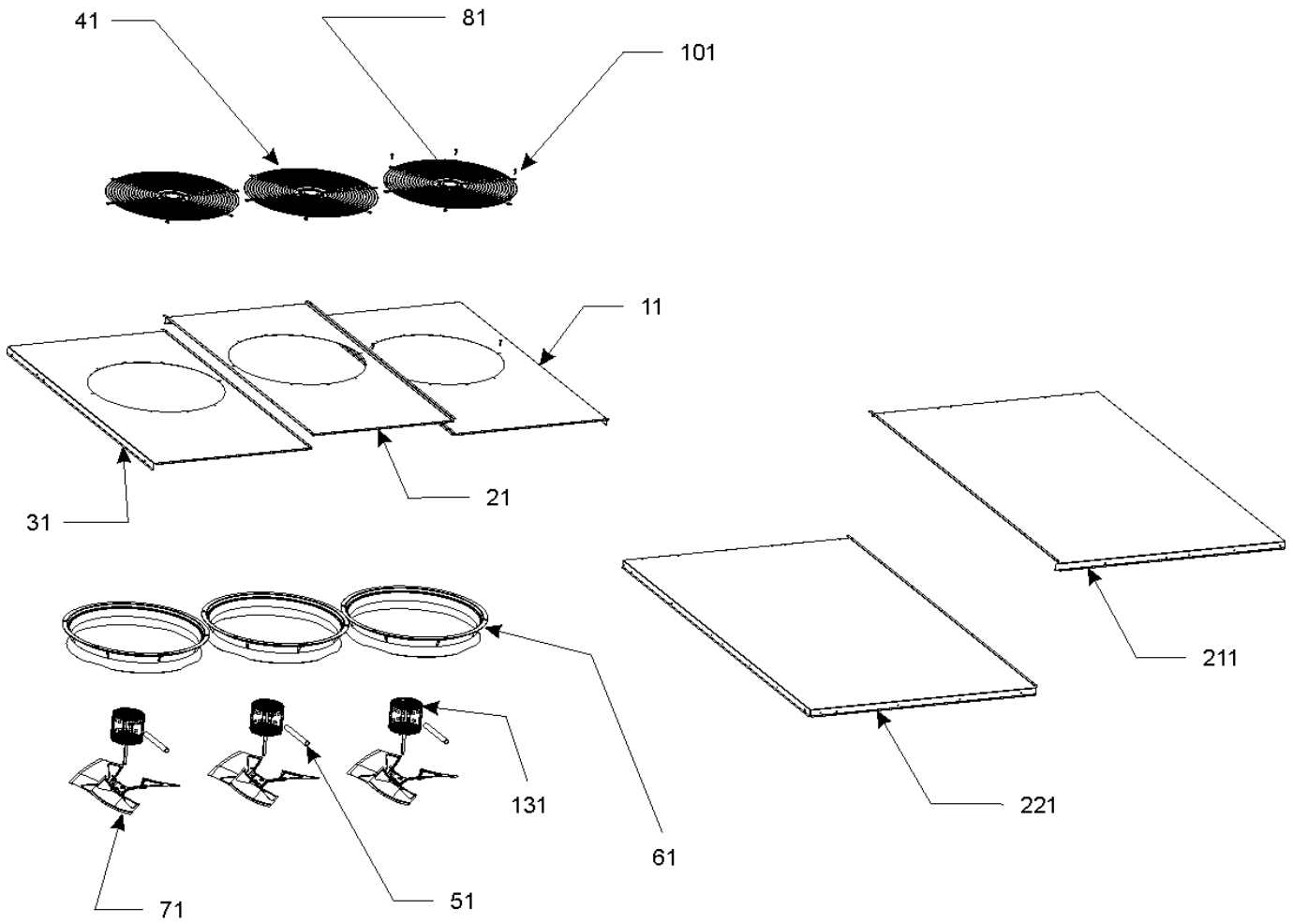
Image 1:

11	0121L00440DG	CORNER POST (QTY 2)
21	0270L00196	INSULATED RETURN CORNER PANEL
51	0270L00219	INSULATED ACCESSORY POST ASSY
61	0270L00205	INSULATED FILTER POST ASSY
71	0270L00258	INSULATED BLOWER POST ASSY
81	0121L00678DG	PARTITION POST, EVAP SIDE
91	0121L00711DG	PARTITION POST, FLUE
121	0270L00194	INSULATED BLOWER DOOR ASSY
131	0270L00250	INSULATED ACCESSORY PANEL ASSY
141	0121L00687DG	CONTROL DOOR
151	0270L00198	INSULATED FILTER DOOR ASSY
161	0121L00599DG	CONDENSER CORNER PANEL (QTY 2)
171	0121L00445DG	FILTER DOOR POST (QTY 3)
181	0121L00537DG	LOUVER PANEL (QTY 4)
191	0270L00259	INSULATED BLOWER DOOR ASSY, HT SIDE
201	0121L00712DG	BURNER DOOR
221	0121L00476DG	DOOR TURNBUCKLE (QTY 24)
231	0121L00580	CONDENSER POST BRACKET, CENTER
NS	0121L00562DG	COMBUSTION AIR HOOD
NS	M0204317	SCREW-MACH (QTY 24)

Expanded Model Nomenclature

M1 - CPG1803503BAJBAA
M2 - CPG1803503BAJBAB
M3 - CPG1803503BHXZAA
M4 - CPG1803503BHXZAB
M5 - CPG1803503BXSXAA
M6 - CPG1803503BXXXAA
M7 - CPG1803504BAXBAA
M8 - CPG1803504BXSXAA
M9 - CPG1803504BXXXAA
M10 - CPG1803507BXSXAA
M11 - CPG1803507BXXXAA

Top Panel Assembly



Top Panel Assembly

Ref. Part No: No:	Description:	Ref. Part No: No:	Description:
-------------------	--------------	-------------------	--------------

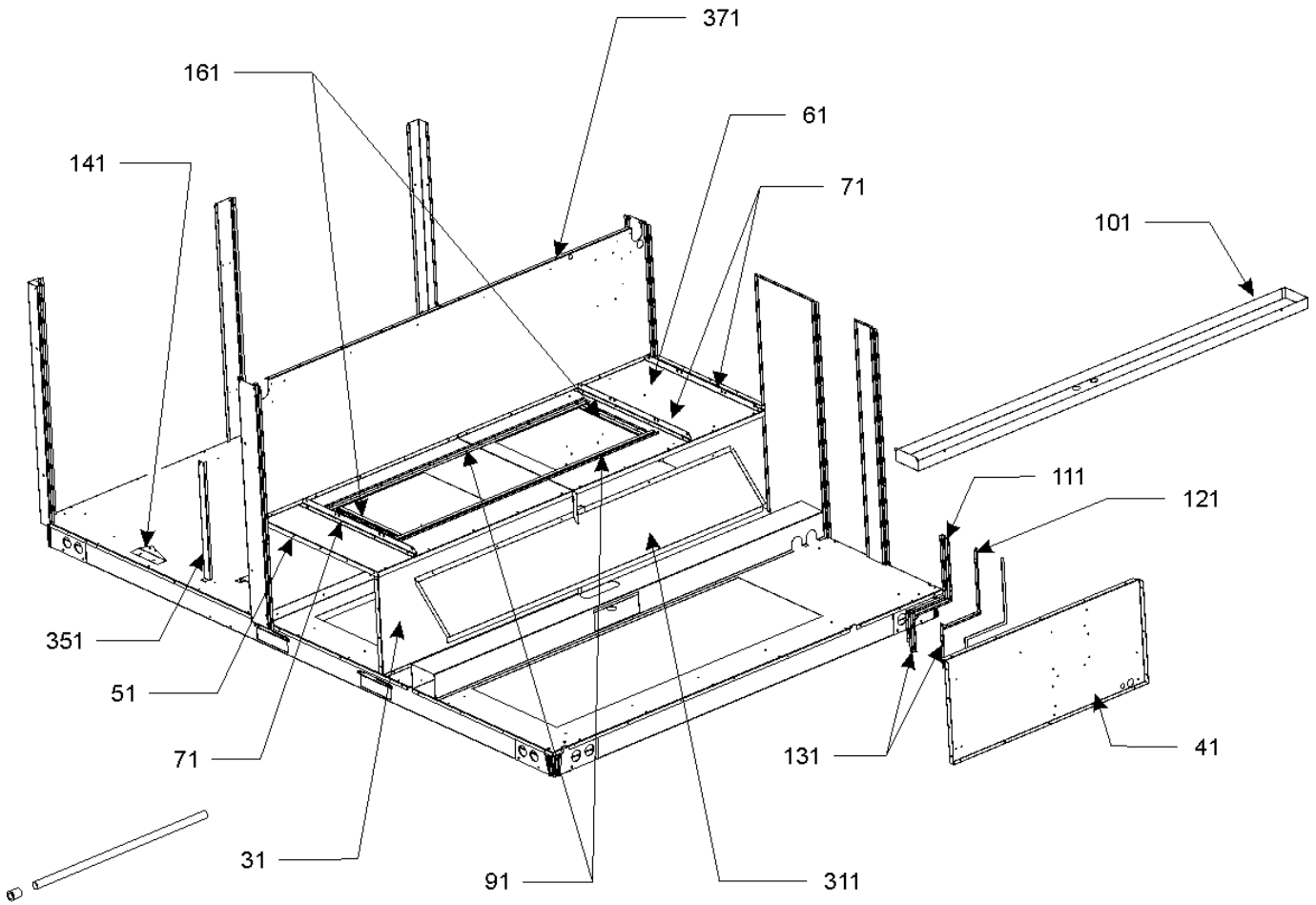
Image 1:

11	0121L00636DG	CONDENSER TOP, CONTROL SIDE
21	0121L00638DG	CONDENSER TOP, CENTER
31	0121L00637DG	CONDENSER TOP, EVAP SIDE
41	0152G00003	GRILLE-FAN (QTY 3)
51	17788000083F	PVC CONDUIT 8.25" (QTY 3)
61	0161L00000	VENTURI RING 22" (QTY 3)
71	10625733	FAN BLADE 22" ALUM CCW (QTY 3)
81	0163M00006P	ACORN NUT 5/16 HEX BLACK (QTY 12)
101	0163M00004	SCREW #10X3/4", BLACK (QTY 24)
131	0131M00008P	COND MOTOR 1/3 HP, 1 SP, 6 PL (M1, M2, M3, M4, M5, M6)
131	B13400249	COND MOTOR 1/3 HP, 460V (M7, M8, M9)
131	0131M00179	COND MOTOR, 1/3 HP, 6 PL, 575V (M10, M11)
211	0270L00193	INSULATED TOP ASSY, CONTROL SIDE
221	0270L00210	INSULATED TOP ASSY, EVAP SIDE

Expanded Model Nomenclature

- | |
|------------------------|
| M1 - CPG1803503BAJBAA |
| M2 - CPG1803503BAJBAB |
| M3 - CPG1803503BHXZAA |
| M4 - CPG1803503BHXZAB |
| M5 - CPG1803503BXSXAA |
| M6 - CPG1803503BXXXAA |
| M7 - CPG1803504BAXBAA |
| M8 - CPG1803504BXSXAA |
| M9 - CPG1803504BXXXAA |
| M10 - CPG1803507BXSXAA |
| M11 - CPG1803507BXXXAA |

Partition Assembly



Partition Assembly

Ref. Part No:	No:	Description:	Ref. Part No:	No:	Description:
<i>Image 1:</i>					
31	0121L00927	DECK-SIDE, DUCT END			
41	0121L00684	BLOWER DECK SIDE, HT END			
51	0121L00652	BLOWER DECK, EVAP SIDE			
61	0121L00653	BLOWER DECK, MOTOR SIDE			
71	0121L00714	MOTOR MOUNT ANGLE (QTY 3)			
91	0121L00478	BLOWER DECK RAIL (QTY 2)			
101	0270L00226DG	DRAIN PAN			
111	0121L00551	HEAT EXCHANGER ANGLE, RH SIDE			
121	0121L00552	HEAT EXCHANGER ANGLE, LH SIDE			
131	0121L00553	LOWER HEAT EXCHANGER ANGLE (QTY 2)			
141	0121L00581	BRACKET-COND/BASEPAN (QTY 2)			
161	0121L00654	BLOWER RAIL (QTY 2)			
311	0121L00736	SHIELD-BLOWOFF			
351	0121L00623	CONDENSER BRACE, C1			
351	0121L00624	CONDENSER BRACE, C2			
371	0121L00825	PARTITION PANEL			

Expanded Model Nomenclature

- M1 - CPG1803503BAJBAA
- M2 - CPG1803503BAJBAB
- M3 - CPG1803503BHXZAA
- M4 - CPG1803503BHXZAB
- M5 - CPG1803503BXSXAA
- M6 - CPG1803503BXXXAA
- M7 - CPG1803504BAXBAA
- M8 - CPG1803504BXSXAA
- M9 - CPG1803504BXXXAA
- M10 - CPG1803507BXSXAA
- M11 - CPG1803507BXXXAA

Basepan / Compressor / Tubing Assembly

Image 1

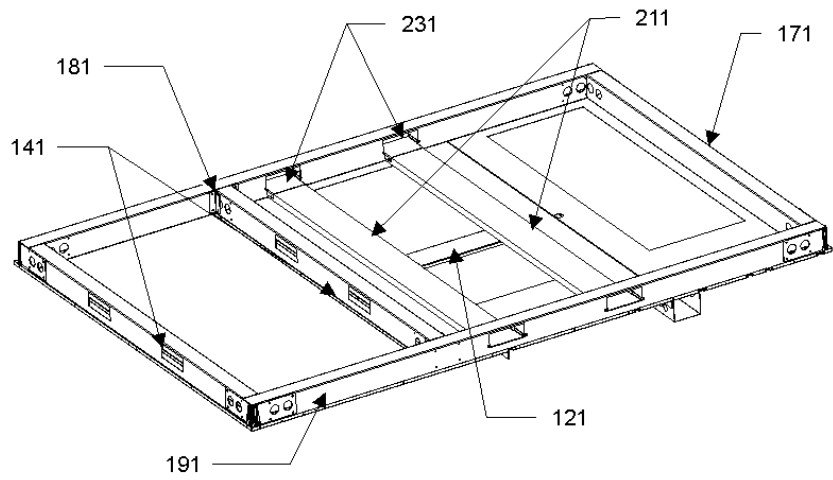
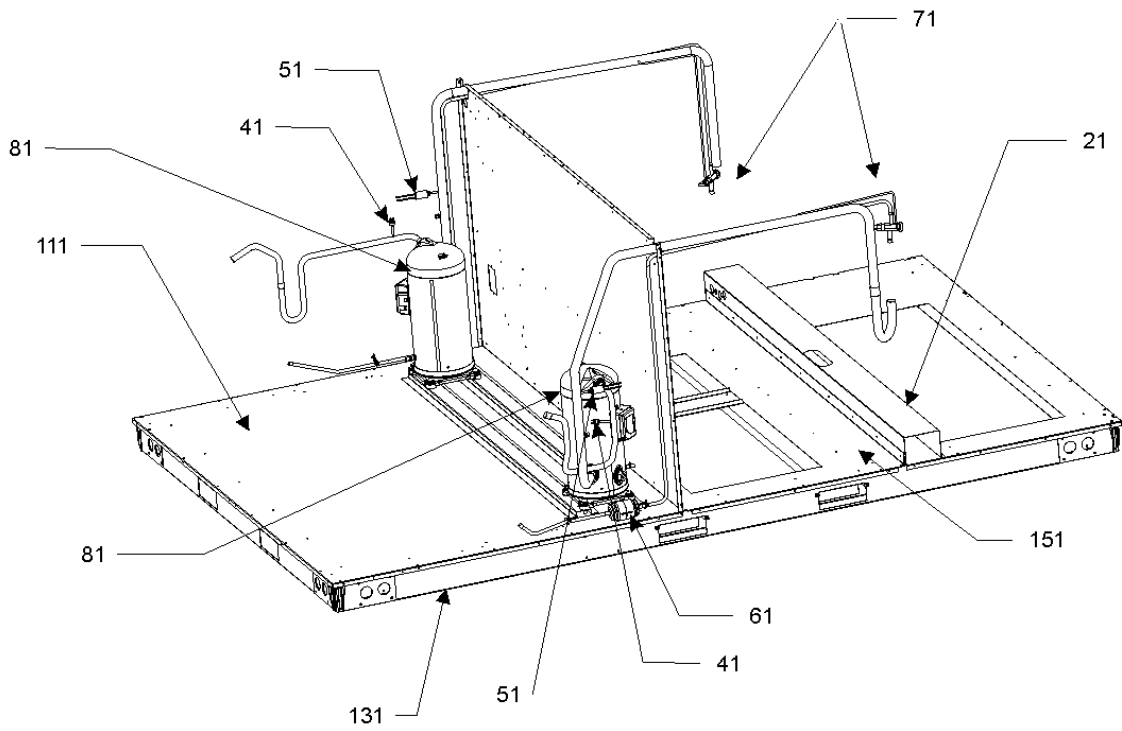


Image 2

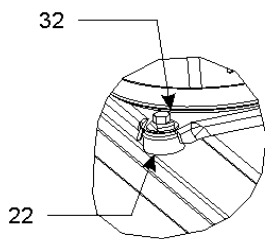
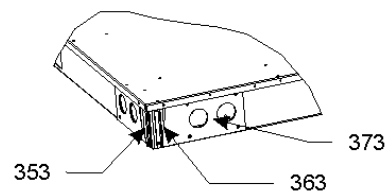


Image 3



Basepan / Compressor / Tubing Assembly

Ref. Part No: No:	Description:	Ref. Part No: No:	Description:
-------------------	--------------	-------------------	--------------

Image 1:

21	0270L00189	BASEPAN WELDMENT, RETURN SIDE
41	0130M00074	HIGH PRESSURE SWITCH
51	0130M00087	LOW PRESSURE SWITCH
61	0151M00012	BI-FLOW FILTER DRIER
71	0151L00011	VALVE, TXV R-410A
81	ZP83KCETFD130	COMP, 83000, 460/60/3 (M7, M8, M9)
81	ZP83KCETF5250	COMPRESSOR, 83000, 200/230/60/3 (M1, M2, M3, M4, M5, M6)
81	ZP83KCETFE130	COMPRESSOR, 83000, 575/60/3 (M10, M11)
81	ZP90KCETF5155	COMPRESSOR, 90,500, 200/230/60/3 (M1, M2, M3, M4, M5, M6)
81	ZP90KCETFD155	COMPRESSOR, 90,500, 460/60/3 (M7, M8, M9)
81	ZP90KCETFE155	COMPRESSOR, 90,500, 575/60/3 (M10, M11)
111	0270L00208	BASEBAN WELDMENT, OUTDOOR SIDE
121	0121L00605	FORK BOARD PLATE
131	0121L00720	SIDE RAIL
141	0121L00721	BASE RAIL, CONDENSER END (QTY 2)
151	0121L01032	BASEPAN, SUPPLY
171	0121L00722	BASE RAIL, ACCESSORY END
181	0121L00625	COMPRESSOR RAIL BRACKET (QTY 4)
191	0121L00719	CONTROL SIDE BASE RAIL
211	0141L00029	FORK BOARD (QTY 2)
231	0121L00724	FORK BOARD BRACKET (QTY 4)
NS	0163M00175	CAP WITH O-RING (QTY 4)
NS	0159L00020	COMPRESSOR SCROLL HARNESS (M1, M2, M3, M4, M5, M6)
NS	0159L00035	COMPRESSOR SCROLL HARNESS (M7, M8, M9, M10, M11)
NS	0159L00039	COMPRESSOR SCROLL HARNESS (M1, M2, M3, M4, M5, M6)
NS	0159L00045	COMPRESSOR SCROLL HARNESS (M7, M8, M9, M10, M11)
NS	0130L00019	CRANK CASE HEATER, 70W, 575V (M10, M11)
NS	0130L00020	CRANK CASE HEATER, 90W, 240V (M1, M2, M3, M4, M5, M6)
NS	0130L00021	CRANK CASE HEATER, 90W, 480V (M7, M8, M9)
NS	0130L00022	CRANK CASE HEATER, 90W, 575V (M10, M11)
NS	0130L00017	CRANK CASE HEATER-70W 240V (M1, M2, M3, M4, M5, M6)
NS	0130L00018	CRANK CASE HEATER-70W, 480V (M7, M8, M9)

Expanded Model Nomenclature

M1 - CPG1803503BAJBAA
M2 - CPG1803503BAJBAB
M3 - CPG1803503BHXXAA
M4 - CPG1803503BHXXAB
M5 - CPG1803503BXSXAA
M6 - CPG1803503BXXXAA
M7 - CPG1803504BAXBAA
M8 - CPG1803504BXSXAA
M9 - CPG1803504BXXXAA
M10 - CPG1803507BXSXAA
M11 - CPG1803507BXXXAA

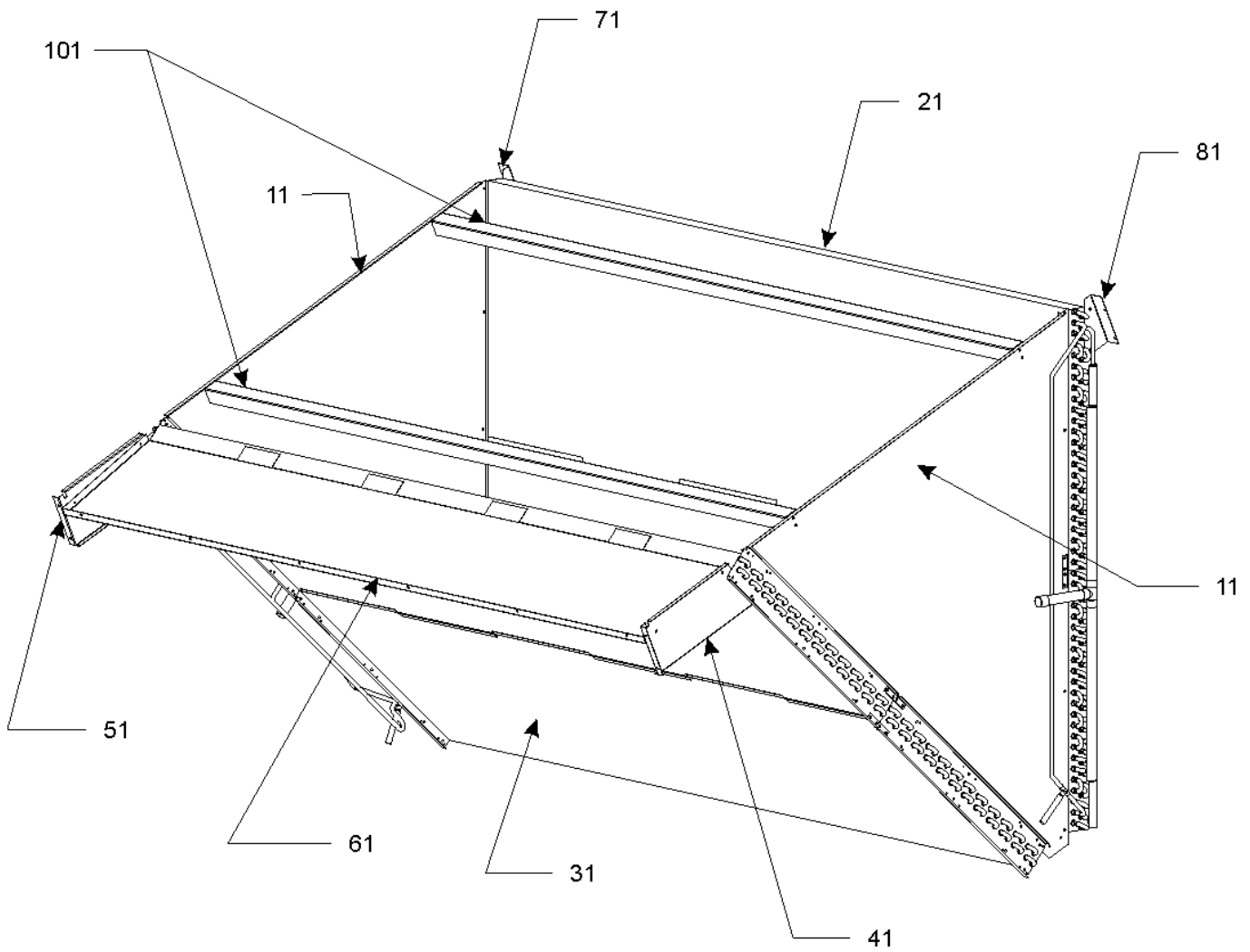
Image 2:

22	0164M00018	COMPRESSOR GROMMET (QTY 8)
32	B1393740	COMPRESSOR BOLT & SLEEVE (QTY 8)

Image 3:

353	0121L00616	RAIL BRACE ANGLE, RIGHT (QTY 4)
363	0121L00617	RAIL BRACE ANGLE, LEFT (QTY 4)
373	0121L00723	BASE RAIL CORNER BRACE (QTY 4)

Condenser Assembly



Condenser Assembly

Ref. Part No:	Part No:	Description:	Ref. Part No:	Part No:	Description:
---------------	----------	--------------	---------------	----------	--------------

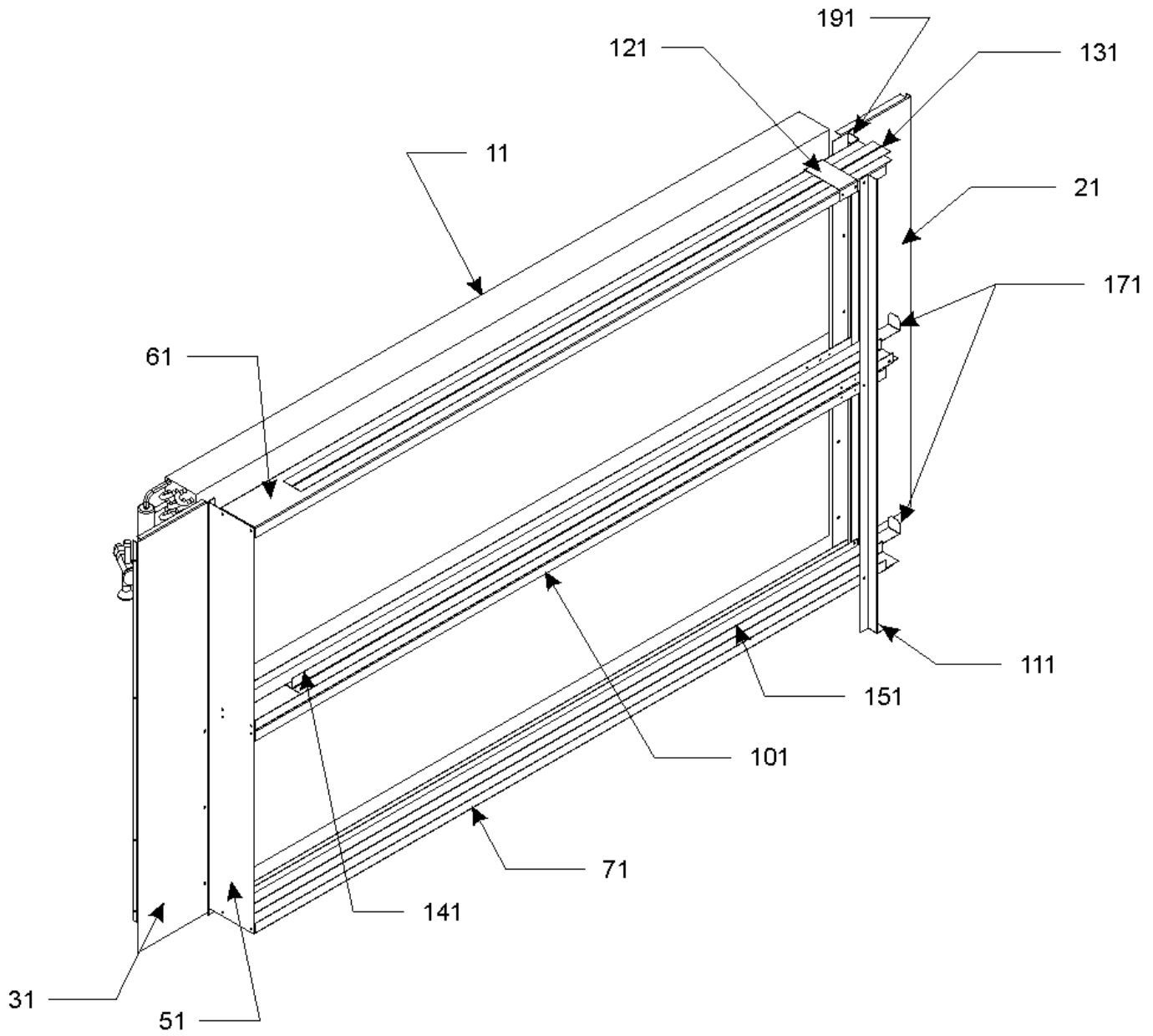
Image 1:

11	0121L00619	CONDENSER END COVER (QTY 2)
21	0201L00165	Cond Coil Assy C1-Ultra Gold (M1, M2)
21	0201L00091	CONDENSER COIL ASSY C1 (M3, M4, M5, M6, M7, M8, M9, M10, M11)
31	0201L00166	Cond Coil Assy C2-Ultra Gold (M1, M2)
31	0201L00094	CONDENSER COIL ASSY C2 (M3, M4, M5, M6, M7, M8, M9, M10, M11)
41	0121L00573	CONDENSER END BRACKET
51	0121L00574	CONDENSER END BRACKET
61	0121L00572	CONDENSER BLOCKOFF, INSIDE TOP
71	0121L00579	CONDENSER POST BRACKET
81	0121L00575	CONDENSER POST BRACKET
101	0121L01037	ANGLE, TOP BRACE (QTY 2)

Expanded Model Nomenclature

M1 - CPG1803503BAJBAA
M2 - CPG1803503BAJBAB
M3 - CPG1803503BHXZAA
M4 - CPG1803503BHXZAB
M5 - CPG1803503BXSXAA
M6 - CPG1803503BXXXAA
M7 - CPG1803504BAXBAA
M8 - CPG1803504BXSXAA
M9 - CPG1803504BXXXAA
M10 - CPG1803507BXSXAA
M11 - CPG1803507BXXXAA

Evaporator Assembly



Evaporator Assembly

Ref. Part No:	No:	Description:	Ref. Part No:	No:	Description:
<i>Image 1:</i>					
11	0202L00047	EVAPORATOR COIL ASSY (QTY 2)			
21	0121L00698	EVAPORATOR BLOCKOFF PANEL			
31	0121L00848	PANEL-EVAPORATOR, SMOKE DET			
51	0121L00933	ANGLE-FILTER, LEFT VERTICAL			
61	0121L00629	TOP FILTER RACK (QTY 2)			
71	0121L00701	BOTTOM FILTER RACK			
101	0270L00230	CENTER FILTER RACK			
111	0121L00632	FILTER SUPPORT ANGLE			
121	0121L00634	TOP ANGLE BRACKET			
131	0270L00271	WELDMENT-TOP SLIDER			
141	0270L00232	CENTER SLIDER			
151	0270L00233	BOTTOM SLIDER			
171	0121L00640	FILTER PULL (QTY 2)			
191	0121L00702	RIGHT SIDE BLOCKOFF, FILTER RACK			
NS	0121L00703	BOTTOM BLOCKOFF, FILTER RACK			
NS	B1369611	FILTER 20 X 25 X 2 (QTY 6)			

Expanded Model Nomenclature

- M1 - CPG1803503BAJBAA
- M2 - CPG1803503BAJBAB
- M3 - CPG1803503BHXZAA
- M4 - CPG1803503BHXZAB
- M5 - CPG1803503BXSXAA
- M6 - CPG1803503BXXXAA
- M7 - CPG1803504BAXBAA
- M8 - CPG1803504BXSXAA
- M9 - CPG1803504BXXXAA
- M10 - CPG1803507BXSXAA
- M11 - CPG1803507BXXXAA

Blower Assembly

Image 1

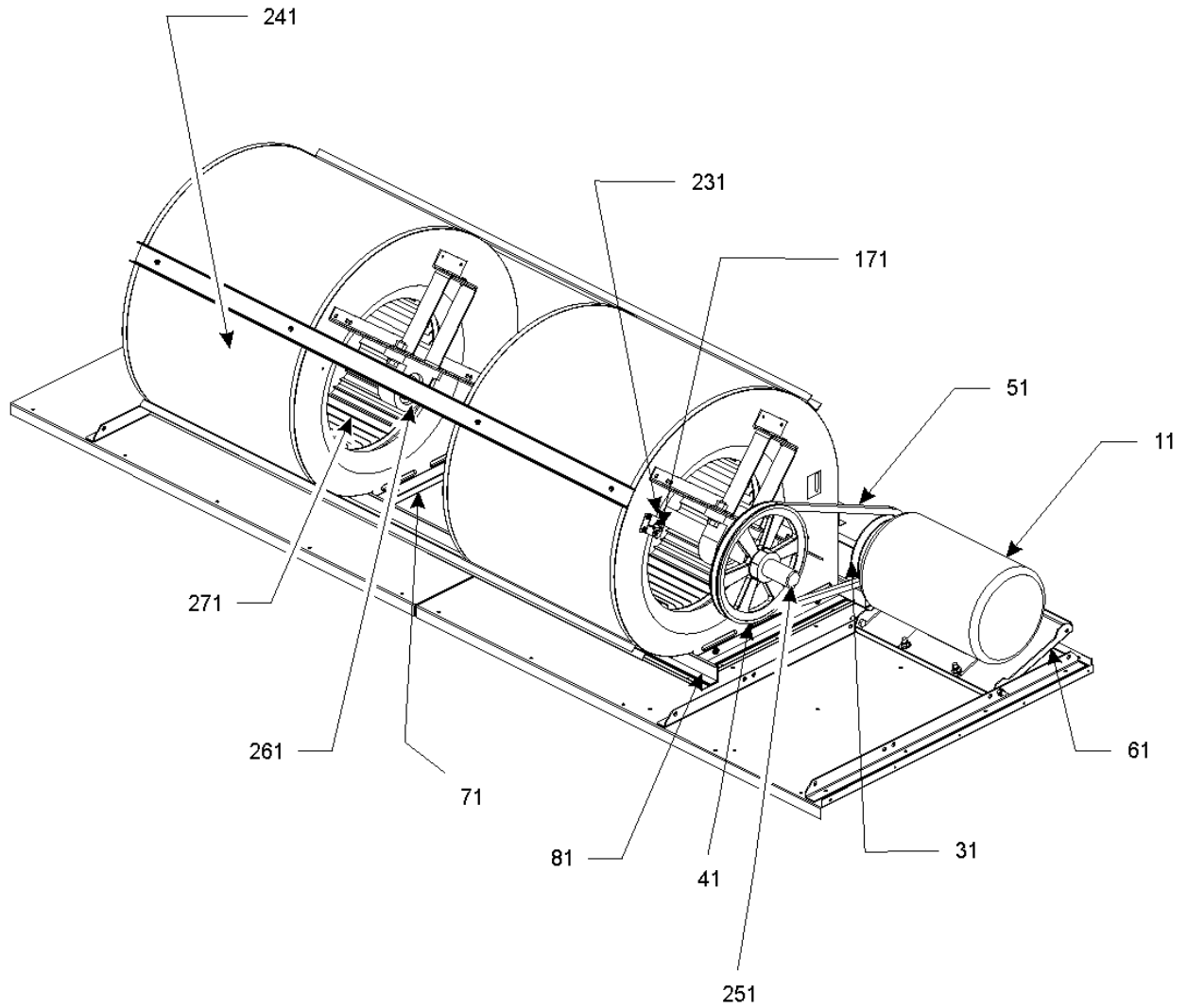
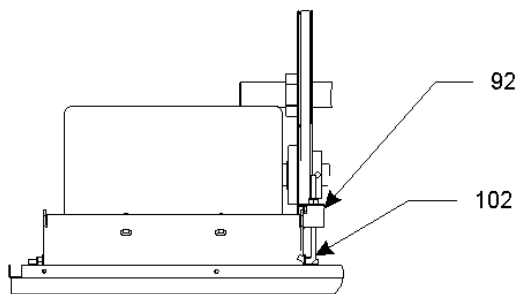


Image 2



Blower Assembly

Ref. Part No: No:	Description:	Ref. Part No: No:	Description:
-------------------	--------------	-------------------	--------------

Image 1:

11	0131L00007	MOTOR-5 HP BELT DRIVE 575V 3P (M10, M11)
11	0131M00274	MOTOR-5.0 HP (M1, M2, M3, M4, M5, M6, M7, M8, M9)
31	0163L00035	VARIABLE PITCH SHEAVE
41	0163L00059	SHEAVE-FIXED
51	0164L00008	FAN BELT, NOTCHED
61	0121L00555	MOTOR BASE PLATE
71	0121L00482	BLOWER SIDE ANGLE (QTY 4)
81	0121L00481	BLOWER RAIL (QTY 2)
171	0130M00064	LIMIT
231	0121L00594	SECONDARY LIMIT BRACKET
241	04-01543	BLOWER HOUSING ASSY (QTY 2)
251	04-11555	BLOWER SHAFT
261	04-02198	BLOWER BEARING & FRAME ASSY (QTY 2)
271	03-77419	BLOWER WHEEL (QTY 2)

Image 2:

92	0121L00557	MOTOR ADJUST BRACKET
102	0163L00034	HOOKED BOLT

Expanded Model Nomenclature

M1 - CPG1803503BAJBAA
M2 - CPG1803503BAJBAB
M3 - CPG1803503BHXZAA
M4 - CPG1803503BHXZAB
M5 - CPG1803503BXSXAA
M6 - CPG1803503BXXXAA
M7 - CPG1803504BAXBAA
M8 - CPG1803504BXSXAA
M9 - CPG1803504BXXXAA
M10 - CPG1803507BXSXAA
M11 - CPG1803507BXXXAA

Heat Exchanger Assembly

Image 1

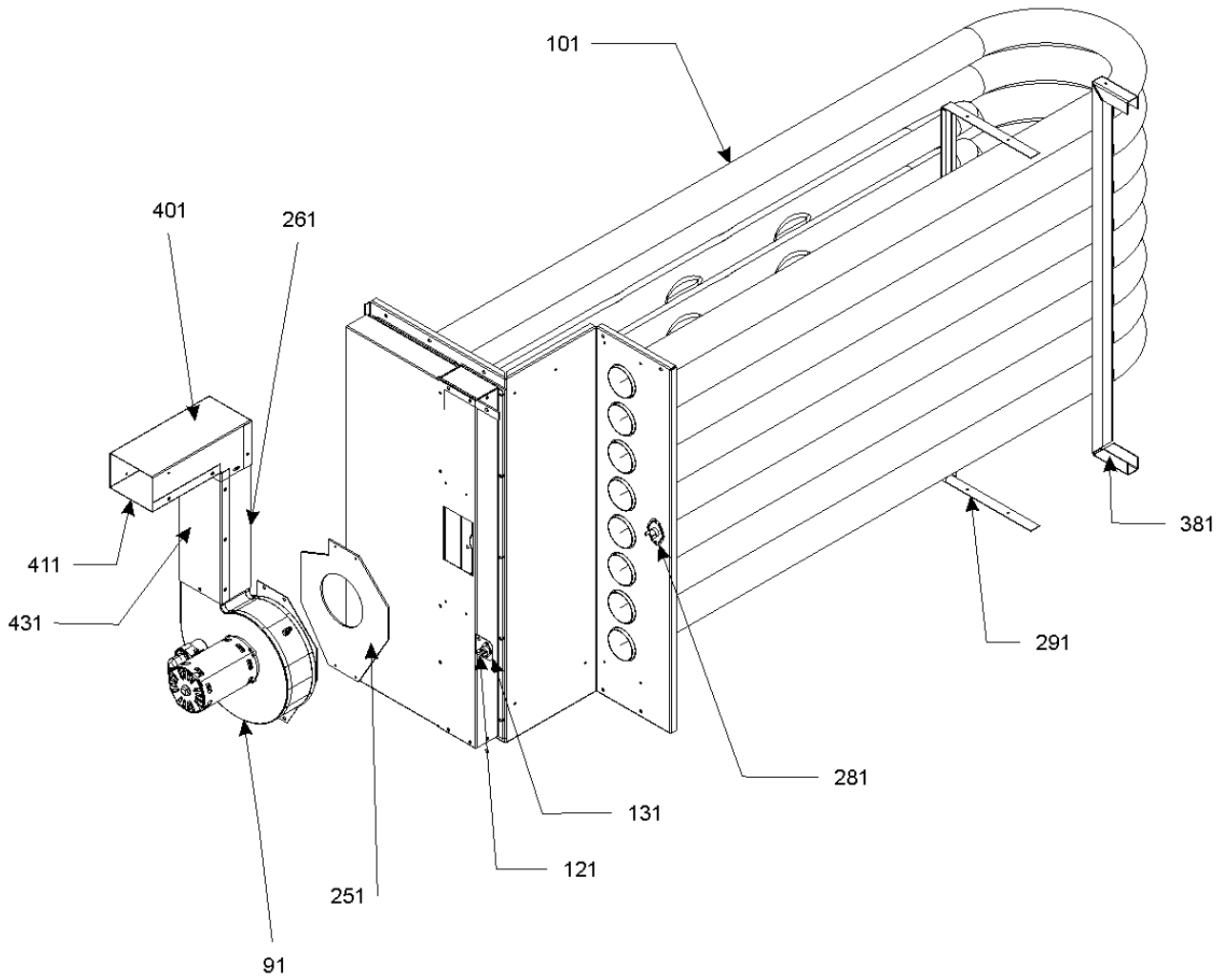


Image 2

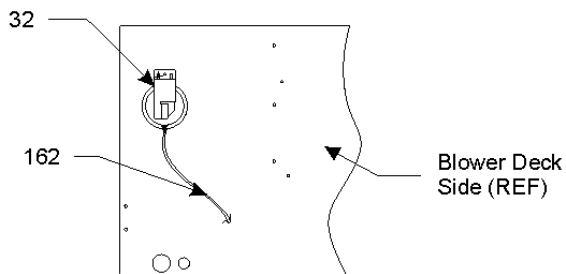
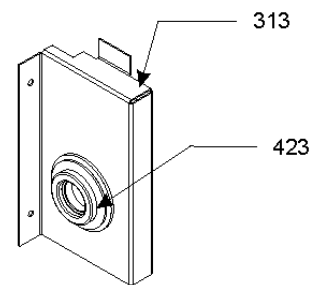


Image 3



Heat Exchanger Assembly

Ref. Part No:	Part No:	Description:	Ref. Part No:	Part No:	Description:
---------------	----------	--------------	---------------	----------	--------------

Image 1:

91	0131L00014	MOTOR-ID VENT
101	0270L00236	PARTITION TUBE ASSY 7B (M1, M2, M3, M4, M6, M7, M9, M11)
101	0270L00237	PARTITION TUBE ASSY 7B, SS (M5, M8, M10)
121	10123529	MANUAL RESET LIMIT
131	0121L00053	FLAME ROLLOUT BRACKET
251	0154L00029	ID BLOWER GASKET
261	0121L00668	FLUE WRAPPER, BACK
281	20162904	PRIMARY LIMIT-TEMPERATURE CONTROL
291	0121L00808	SUPPORT-HEAT TUBES 2.25
381	0121L00930	SUPPORT-HEAT TUBES 2.25
401	0121L00670	FLUE WRAPPER EXIT
411	0121L00671	FLUE COVER EXIT
431	0121L00669	FLUE COVER, FRONT
NS	0154L00025	COVER GASKET
NS	0163L00040	FLUE SCREEN
NS	0154L00026	INNER COLLECTOR BOX GASKET
NS	0154L00027	OUTER COLLECTOR BOX GASKET

Image 2:

32	11112501	PRESSURE SWITCH
162	A3468601	PRESSURE SWITCH HOSE

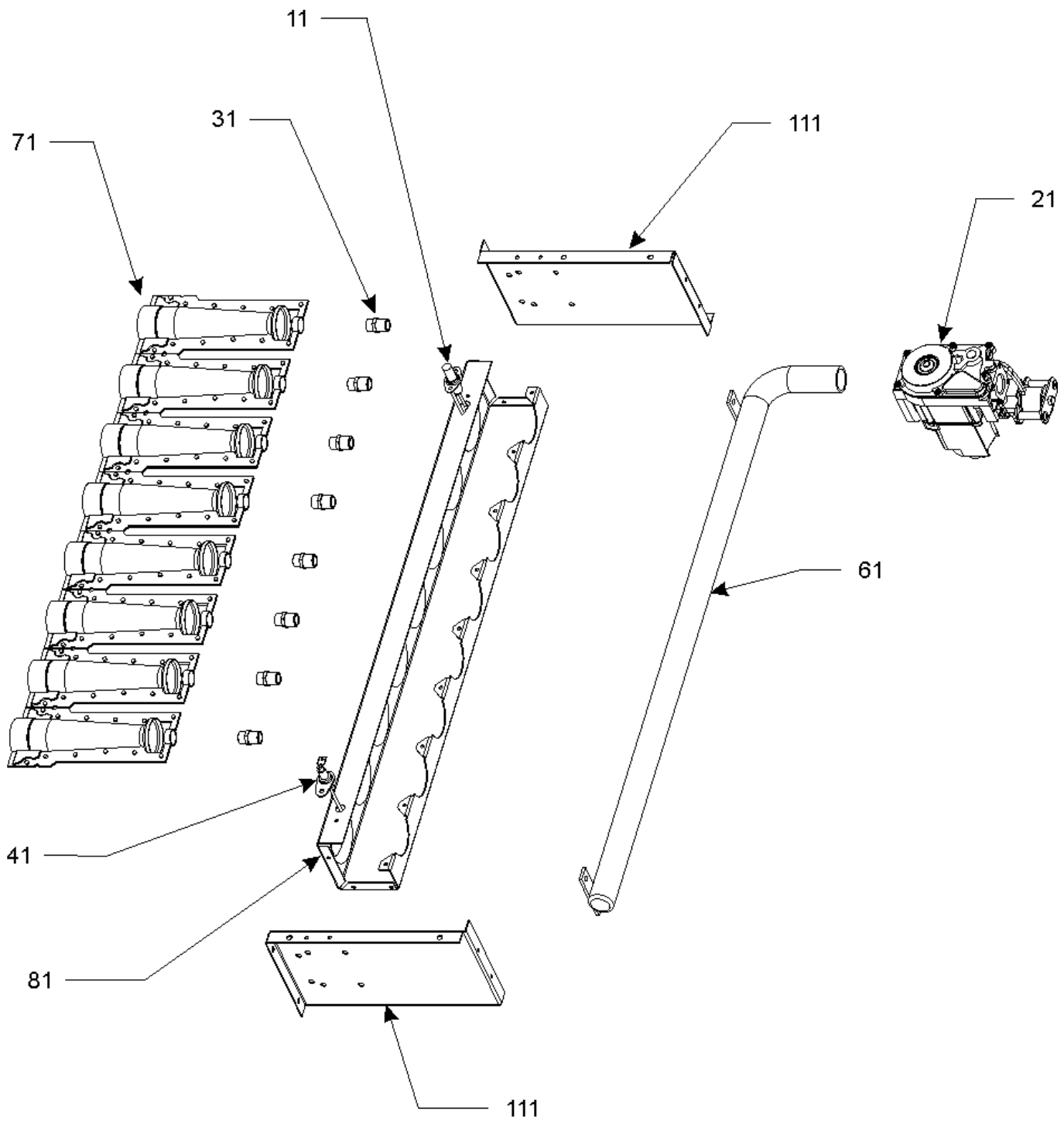
Image 3:

313	0121L00697	GAS VALVE PIPE BRACKET
423	B1910013	GAS LINE GROMMET

Expanded Model Nomenclature

M1 - CPG1803503BAJBAA
M2 - CPG1803503BAJBAB
M3 - CPG1803503BHXZAA
M4 - CPG1803503BHXZAB
M5 - CPG1803503BXSXAA
M6 - CPG1803503BXXXAA
M7 - CPG1803504BAXBAA
M8 - CPG1803504BXSXAA
M9 - CPG1803504BXXXAA
M10 - CPG1803507BXSXAA
M11 - CPG1803507BXXXAA

Burner Assembly



Burner Assembly

Ref. Part No: No:	Description:	Ref. Part No: No:	Description:
-------------------	--------------	-------------------	--------------

Image 1:

11	20261709	IGNITOR
21	0151L00000	VALVE, GAS (HW) VR83
31	0163L00014	ORIFICE (QTY 7)
41	0130F00010	FLAME SENSOR
61	0163L00051	GAS MANIFOLD, 7 BURNER
71	0163L00000	BECKETT BURNER (QTY 7)
81	0121L00656	BRACKET-7 BURNERS
111	0121G00268	BRACKET-BURNER TOP/BOT (QTY 2)

Expanded Model Nomenclature

- M1 - CPG1803503BAJBAA
- M2 - CPG1803503BAJBAB
- M3 - CPG1803503BHXZAA
- M4 - CPG1803503BHXZAB
- M5 - CPG1803503BXSXAA
- M6 - CPG1803503BXXXAA
- M7 - CPG1803504BAXBAA
- M8 - CPG1803504BXSXAA
- M9 - CPG1803504BXXXAA
- M10 - CPG1803507BXSXAA
- M11 - CPG1803507BXXXAA

Control Box / Capacitor Assembly

Image 1

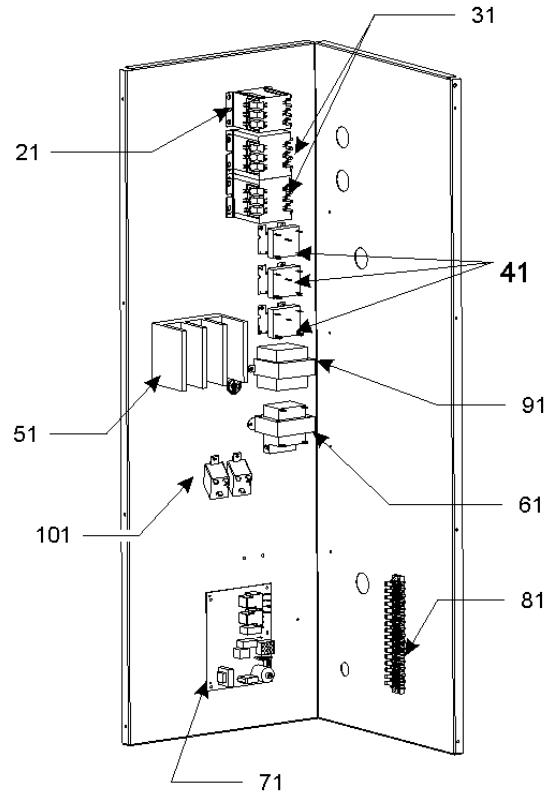
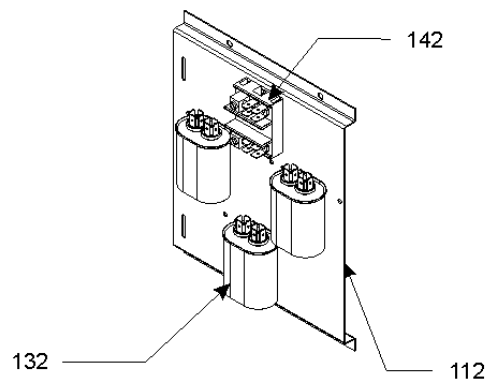


Image 2



Control Box / Capacitor Assembly

Ref. Part No:	Part No:	Description:	Ref. Part No:	Part No:	Description:
---------------	----------	--------------	---------------	----------	--------------

Image 1:

21	CONT3P030024V	CONTACTOR 30 AMP, 3P, 24V (M7, M8, M9, M10, M11)
31	CONT3P040024V	CONTACTOR 40 AMP, 3P, 24V (M1, M2, M3, M4, M5, M6)
41	0130M00025	24V RELAY (QTY 3)
51	16330-3	POWER BLOCK (M1, M2, M3, M4, M5, M6)
61	B1141653	TRANSFORMER 480V, 75VA, RESETTABLE (M7, M8, M9)
61	B1141672	TRANSFORMER 480V, 75VA, RESETTABLE (M1, M2, M3, M4, M5, M6)
61	0130M00045	TRANSFORMER, 575/24V (M10, M11)
71	PCBAG123	IGNITION BOARD, DSI INTEGRATED
81	0130M00038	TERMINAL BOARD
91	B1141663	TRANSFORMER 460V TO 230V, 150 VA (M7, M8, M9)
101	B1370751	24V RELAY (M1, M2, M3, M4, M5, M6)
NS	0259L00100	12-PIN GAS HARNESS (M7, M8, M9, M10, M11)
NS	0259L00134	12-PIN GAS HARNESS (M1, M2, M3, M4, M5, M6)
NS	0259L00102	ECONOMIZER HARNESS
NS	0159L00052	HARNESS JUMPER LONG (M1, M2, M3, M4, M5, M6)
NS	0159L00051	HARNESS, JUMPER SHORT (M1, M2, M3, M4, M5, M6)
NS	0259L00101	MOTOR HARNESS-BELT DRIVE
NS	0259L00136	WIRE HARNESS ASSY (M1, M2, M3, M4, M5, M6)
NS	0259L00103	WIRING HARNESS (M7, M8, M9, M10, M11)

Image 2:

112	0121L00585	CAPACITOR MOUNTING PLATE
132	CAP050000370VA	CAPACITOR 5/370V (QTY 3)
142	B1368250	TERMINAL BLOCK (HIGH VOLTAGE)
NS	0121L00586	CAPACITOR COVER
NS	20520901	CAPACITOR STRAP (QTY 3)
NS	0259L00118	CONDENSER FAN HARNESS, LONG
NS	0259L00117	CONDENSER FAN HARNESS, MEDIUM
NS	0259L00116	CONDENSER FAN HARNESS, SHORT

Expanded Model Nomenclature

M1 - CPG1803503BAJBAA
M2 - CPG1803503BAJBAB
M3 - CPG1803503BHXZAA
M4 - CPG1803503BHXZAB
M5 - CPG1803503BXSXAA
M6 - CPG1803503BXXXAA
M7 - CPG1803504BAXBAA
M8 - CPG1803504BXSXAA
M9 - CPG1803504BXXXAA
M10 - CPG1803507BXSXAA
M11 - CPG1803507BXXXAA

Accessory Parts List

Accessory Parts

Ref. Part No:	Ref. Part No:	Description:	Description:
---------------	---------------	--------------	--------------

Image 1:

NS 0130M00065	CIRCUIT BREAKER, CONVENIENCE OUTLET (M1, M2, M7)
NS 0270L00275	CONVENIENCE OUTLET ASSY-NP (M1, M2, M7)
NS DSC100C50N001FI	DISCONNECT MODULE ASSY (M3, M4)
NS DNECONGS180240	ECONOMIZER DOWNFLOW GAS/AC (M1, M2, M7)
NS SDSRKT01FI15T20	SMOKE DETECTOR ASSEMBLY (M3, M4)
NS 0130M00061	TRANSFORMER, CONVENIENCE OUTLET (M1, M2, M7)

Expanded Model Nomenclature

- M1 - CPG1803503BAJBAA
- M2 - CPG1803503BAJBAB
- M3 - CPG1803503BHXZAA
- M4 - CPG1803503BHXZAB
- M5 - CPG1803503BXSXAA
- M6 - CPG1803503BXXXAA
- M7 - CPG1803504BAXBAA
- M8 - CPG1803504BXSXAA
- M9 - CPG1803504BXXXAA
- M10 - CPG1803507BXSXAA
- M11 - CPG1803507BXXXAA