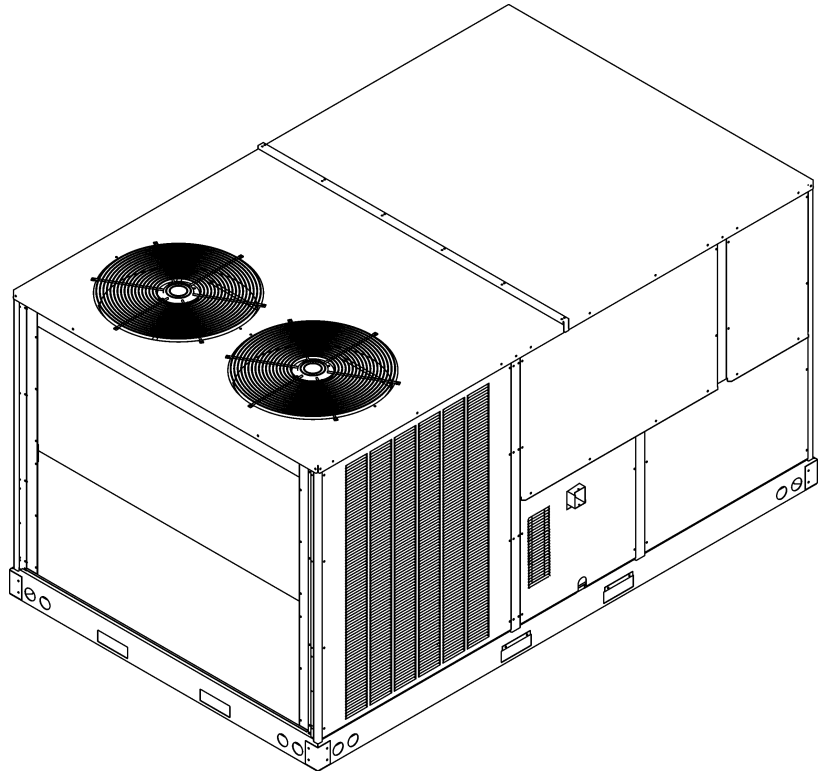


REPAIR PARTS

Commercial 12.5 Ton Package Gas Units

CPG1502103BABBAB
CPG1502103BHXJAB
CPG1502103BHXZAB
CPG1502103BJANAB
CPG1502103BJAOAB
CPG1502103BJXOAB
CPG1502103BXXCAB
CPG1502103BXXEAB
CPG1502104BASDAB
CPG1502104BHAXAB
CPG1502104BJANAB
CPG1502104BJATAB
CPG1502104BJXGAB
CPG1502104BJXNAB
CPG1502107HAXXAB



This manual is to be used by qualified technicians only.

This manual replaces RP-724E.

© 2012-2013, 2016 Goodman Manufacturing Company, L.P. ♦ 5151 San Felipe St., Suite 500 ♦ Houston, TX 77056

Important Information

Index

Functional Parts List	3
Illustration and Parts	4 - 19

Views shown are for parts illustrations only, not servicing procedures

Text Codes:

AR - As Required

NA - Not Available

NS - Not Shown

00000000 - See Note

QTY - Quantity Example (QTY 3) (If Quantity not shown, Quantity = 1)

M - Model Example (M1) (If M Code not shown, then part is used on all Models)

Expanded Model Nomenclature:

Example M1 - Model#1 M2 - Model#2 M3 - Model#3

Goodman Manufacturing Company, L.P. is not responsible for personal injury or property damage resulting from improper service. Review all service information before beginning repairs.

Warranty service must be performed by an authorized technician, using authorized factory parts. If service is required after the warranty expires, Goodman Manufacturing Company, L.P. also recommends contacting an authorized technician and using authorized factory parts.

Goodman Manufacturing Company, L.P. reserves the right to discontinue, or change at any time, specifications or designs without notice or without incurring obligations.

For assistance within the U.S.A. contact:
Consumer Affairs Department
Goodman Manufacturing Company, L.P.
7401 Security Way
Houston, Texas 77040
877-254-4729-Telephone
713-863-2382-Facsimile

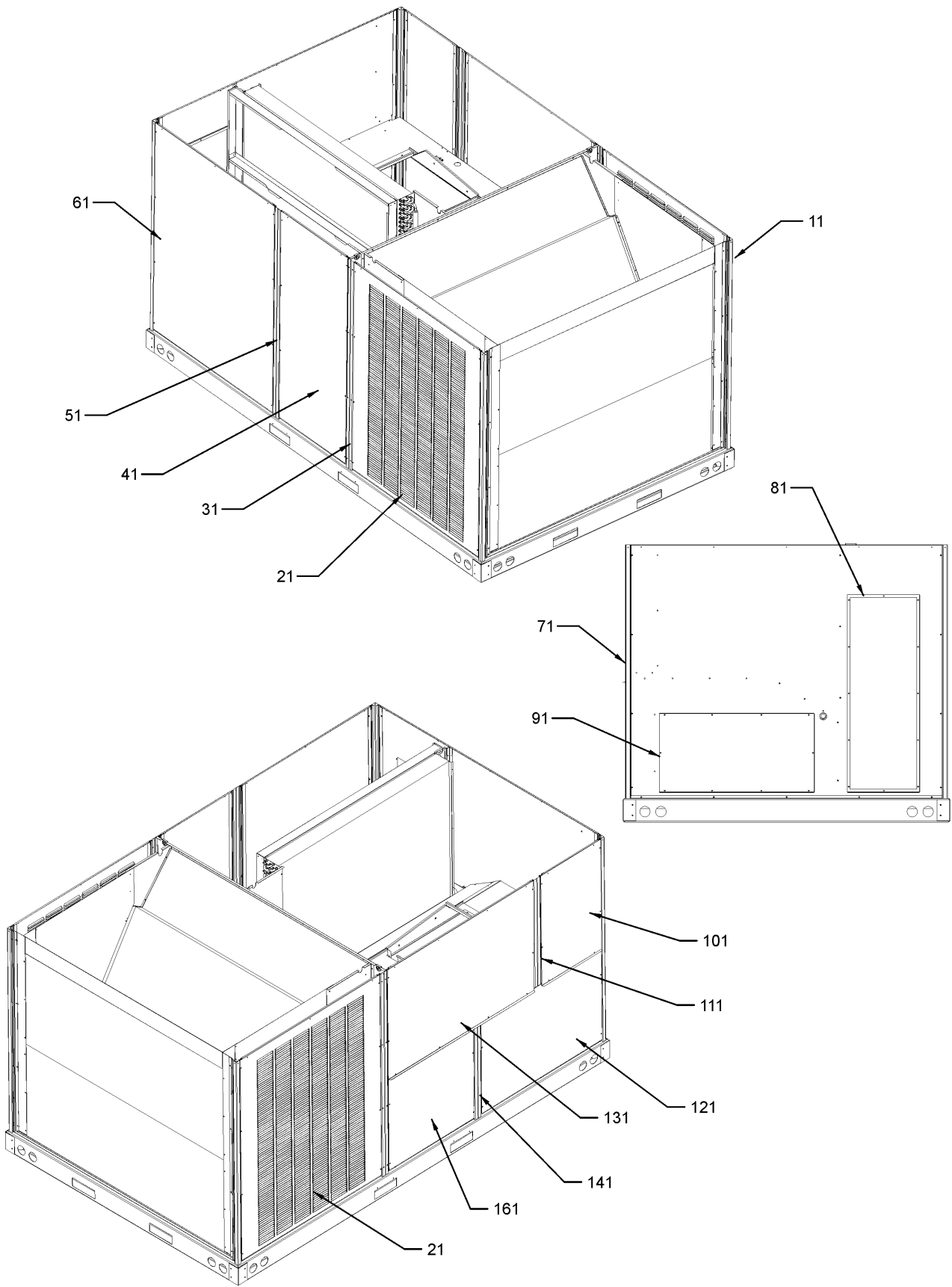
For assistance outside the U.S.A. contact:
International Division
Goodman Manufacturing Company, L.P.
7401 Security Way
Houston, Texas 77040
713-861-2500-Telephone
713-863-2382-Facsimile

Functional Parts

Part No: **Description:**

Part No:	Description:	Expanded Model Nomenclature
0130M00025	24V RELAY	M1 - CPG1502103BABBAB
0163L00000	BECKETT BURNER (QTY 6)	M2 - CPG1502103BHJAB
B3240004	BELT DRIVE MOTOR 2 HP (M1, M2, M3, M4, M5, M6, M7, M8, M9, M10, M11, M12, M13, M14)	M3 - CPG1502103BHJZAB
0131L00006	BELT DRIVE MOTOR 3 HP 575 V (M15)	M4 - CPG1502103BJANAB
03-78497	BLOWER WHEEL	M5 - CPG1502103BJAOAB
CAP050000370VA	CAPACITOR 5/370V (QTY 2)	M6 - CPG1502103BJXOAB
ZP67KCETFD830	COMP, 67000,460/60/3 (M9, M10, M11, M12, M13, M14)	M7 - CPG1502103BXXCAB
ZP67KCETF5830	COMP, 67500,200/230/60/3 (M1, M2, M3, M4, M5, M6, M7, M8)	M8 - CPG1502103BXXEAB
ZP67KCETFE830	COMPRESSOR 67500, 575/60/3 (M15)	M9 - CPG1502104BASDAB
0131M00430	COND MOTOR 1/3 HP, 1 SP, 6 PL (M1, M2, M3, M4, M5, M6, M7, M8)	M10 - CPG1502104BHAXAB
B13400249	COND MOTOR 1/3 HP, 460V (M9, M10, M11, M12, M13, M14)	M11 - CPG1502104BJANAB
0131M00179	COND MOTOR 1/3 HP, 6 PL, 575V (M15)	M12 - CPG1502104BJATAB
CONT3P025024V	CONTACTOR 25 AMP, 3P, 24V (M9, M10, M11, M12, M13, M14, M15)	M13 - CPG1502104BJXGAB
CONT3P030024V	CONTACTOR 30 AMP, 3P, 24V (M1, M2, M3, M4, M5, M6, M7, M8)	M14 - CPG1502104BJXNAB
10625733	FAN BLADE 22" ALUM CCW (QTY 2)	M15 - CPG1502107HAXXAB
0130F00010	FLAME SENSOR	
0151L00000	GAS VALVE (36H)	
0130M00074	HIGH PRESSURE SWITCH C2	
PCBAG123	IGNITION BOARD, DSI INTEGRATED	
20261709	IGNITOR	
0130M00075	LOW PRESSURE SWITCH C2	
10123532	MANUAL RESET LIMIT 350°F	
0164L00001	NOTCHED FAN BELT AX49	
11112501	PRESSURE SWITCH	
B1370187	PRIMARY LIMIT SWITCH 160°F	
0130M00038	TERMINAL BOARD	
0130M00144	TRANSFORMER (M1, M2, M3, M4, M5, M6, M7, M8)	
B1141663	TRANSFORMER 460V TO 230V, 150 VA (M9, M10, M11, M12, M13, M14)	
0130M00145	TRANSFORMER 480V to 24V, 75VA (M9, M10, M11, M12, M13, M14)	
0130M00044	TRANSFORMER 575/230V (M15)	
0130M00148	TRANSFORMER 575V to 24V, 75VA (M15)	
0131L00002	VENT MOTOR	

Cabinet Assembly



Cabinet Assembly

Ref. Part No: No:	Description:	Ref. Part No: No:	Description:
-------------------	--------------	-------------------	--------------

Image 1:

11	0121L00979RFDG	RF, PNT, CORNER POST (QTY 4)
21	0152L00001	GRILLE-CONDENSER (QTY 2)
31	0121L00980RFDG	POST-SIDE, RF PAINTED (QTY 2)
41	0121L00759	FILTER DOOR
51	0121L00757RFDG	POST-FILTER, RF PAINTED
61	0121L00378DG	DOOR-ECONOMISER
71	0121L00486DG	DUCT PANEL
81	0121L00082DG	SUPPLY DUCT
91	0121L00099DG	RETURN DUCT
101	0121L00821DG	CONTROL DOOR INSUL ASSY
111	0121L00817RFDG	RF, PNT, CONTROL POST
121	0121L00767DG	HEAT EXCH DOOR
131	0121L00819DG	BLOWER DOOR
141	0121L00765RFDG	RF, PNT, POST, BURNER BOX
161	0121L00766DG	DOOR, BURNERS, PAINTED
NS	0121L00129S	DOOR RAIN SHIELD (M1, M4, M5, M6, M9, M11, M12, M13, M14, M15)

Expanded Model Nomenclature

M1 - CPG1502103BABBAB
M2 - CPG1502103BHXJAB
M3 - CPG1502103BHXZAB
M4 - CPG1502103BJANAB
M5 - CPG1502103BJAOAB
M6 - CPG1502103BJXOAB
M7 - CPG1502103BXXCAB
M8 - CPG1502103BXXEAB
M9 - CPG1502104BASDAB
M10 - CPG1502104BHAXAB
M11 - CPG1502104BJANAB
M12 - CPG1502104BJATAB
M13 - CPG1502104BJXGAB
M14 - CPG1502104BJXNAB
M15 - CPG1502107HAXXAB

Top Panel / Tubing Assembly

Ref. Part No:	Ref. Part No:	Description:	Description:
Image 1:			
11	0161L00000	VENTURI RING 22" (QTY 2)	
21	10625733	FAN BLADE 22" ALUM CCW (QTY 2)	
31	0152G00003	FAN GRILLE (QTY 2)	
41	0163M00006P	ACORN NUT 5/16 HEX BLACK (QTY 8)	
51	0131M00430	COND MOTOR 1/3 HP, 1 SP, 6 PL (M1, M2, M3, M4, M5, M6, M7, M8)	
51	B13400249	COND MOTOR 1/3 HP, 460V (M9, M10, M11, M12, M13, M14)	
51	0131M00179	COND MOTOR 1/3 HP, 6 PL, 575V (M15)	
61	17788000083F	PVC CONDUIT 8.25" (QTY 2)	
71	0121L00497DG	EVAP TOP PANEL	
81	0121L00121	SPLICE-COND PLATE (QTY 4)	
91	0121L01014DG	COND TOP PANEL	
NS	0259L00096	COND MOTOR HARNESS (M1, M2, M3, M4, M5, M6, M7, M8, M15)	
NS	0259L00097	COND MOTOR HARNESS (M9, M10, M11, M12, M13, M14)	
NS	0259L00027	COND MOTOR HARNESS 230V (M1, M2, M3, M4, M5, M6, M7, M8, M15)	
NS	0259L00028	COND MOTOR HARNESS 460V (M9, M10, M11, M12, M13, M14)	

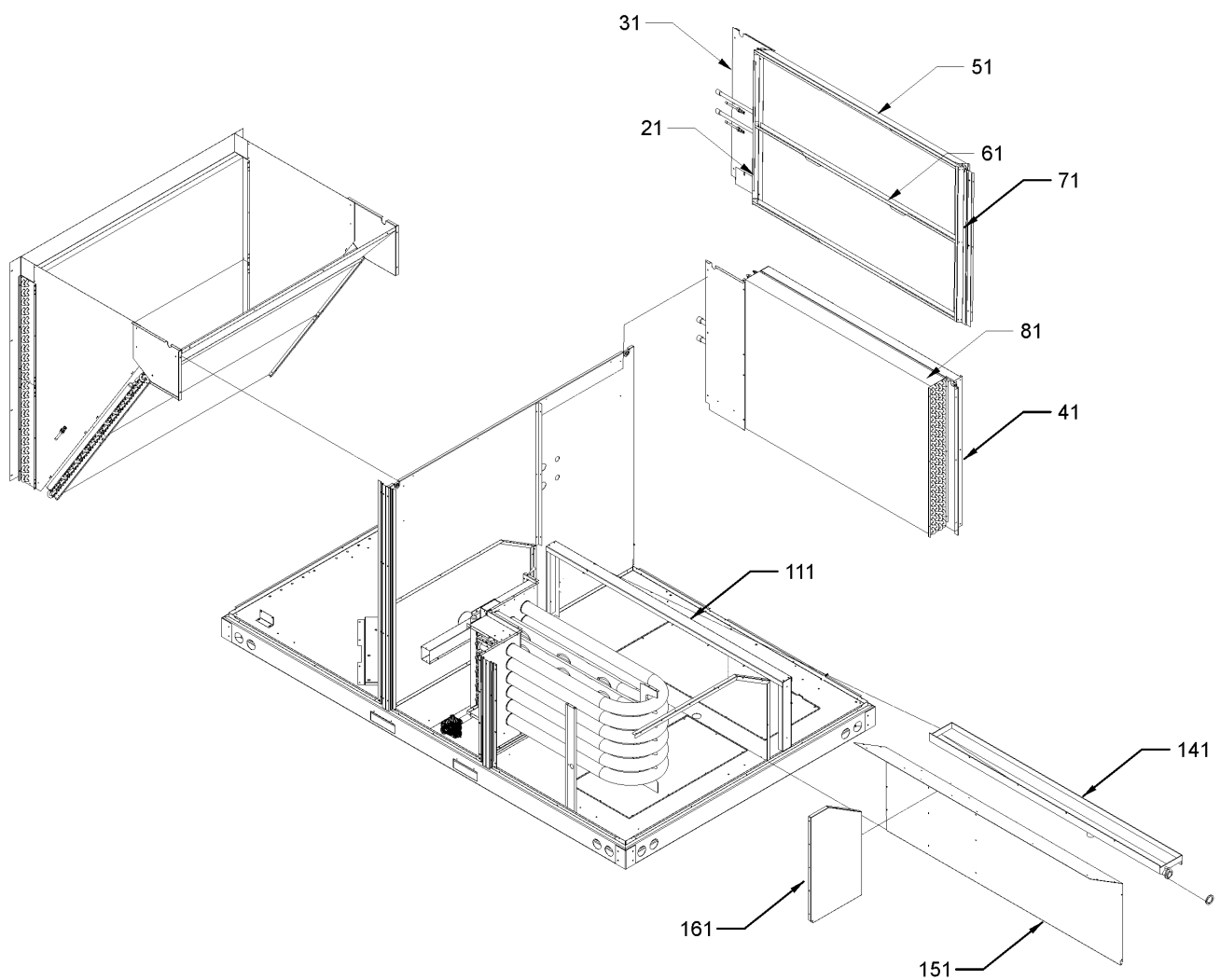
Image 2:

12	0130M00074	HIGH PRESSURE SWITCH C2
22	0130M00075	LOW PRESSURE SWITCH C2
32	0151M00012	BI-FLOW FILTER DRIER
52	0130M00075	CUT-OUT SWITCH, LOW PRESSURE
62	0130M00074	CUT-OUT SWITCH, HIGH PRESSURE
NS	B1373315	ACCESS FITTING (QTY 4)
NS	0163M00175	CAP WITH O-RING (QTY 4)

Expanded Model Nomenclature

M1 - CPG1502103BABBAB
M2 - CPG1502103BHXJAB
M3 - CPG1502103BHXZAB
M4 - CPG1502103BJANAB
M5 - CPG1502103BJAOAB
M6 - CPG1502103BJXOAB
M7 - CPG1502103BXXCAB
M8 - CPG1502103BXXEAB
M9 - CPG1502104BASDAB
M10 - CPG1502104BHAXAB
M11 - CPG1502104BJANAB
M12 - CPG1502104BJATAB
M13 - CPG1502104BJXGAB
M14 - CPG1502104BJXNAB
M15 - CPG1502107HAXXAB

Evaporator / Partition Assembly



Evaporator / Partition Assembly

Ref. Part No: No:	Description:	Ref. Part No: No:	Description:
-------------------	--------------	-------------------	--------------

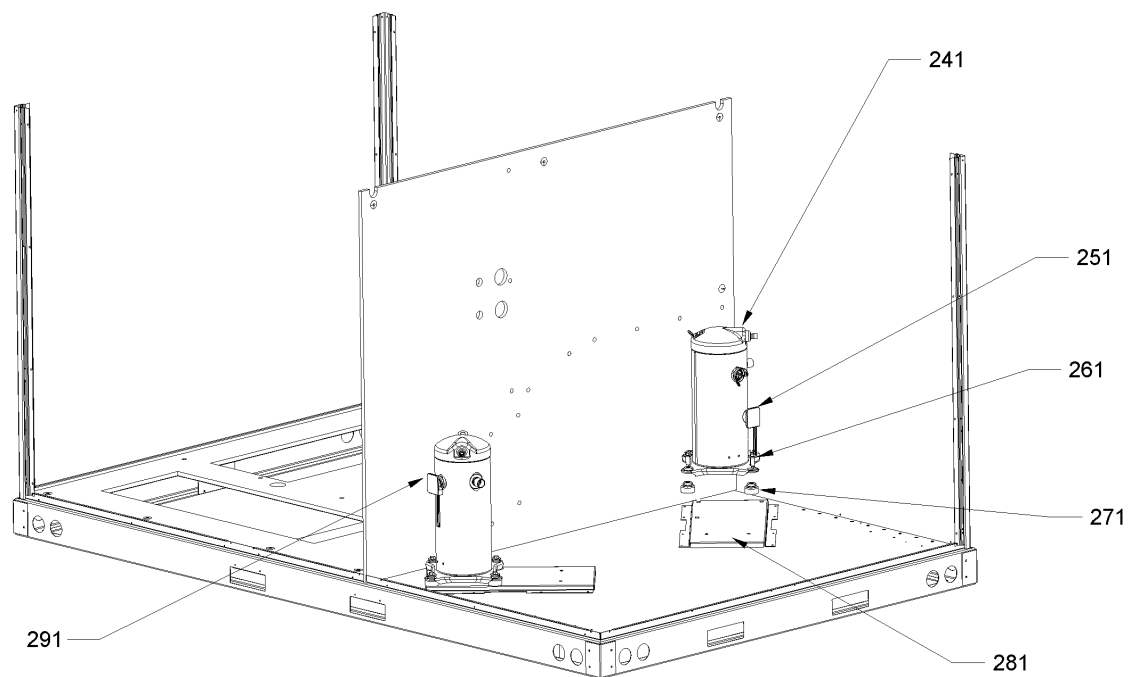
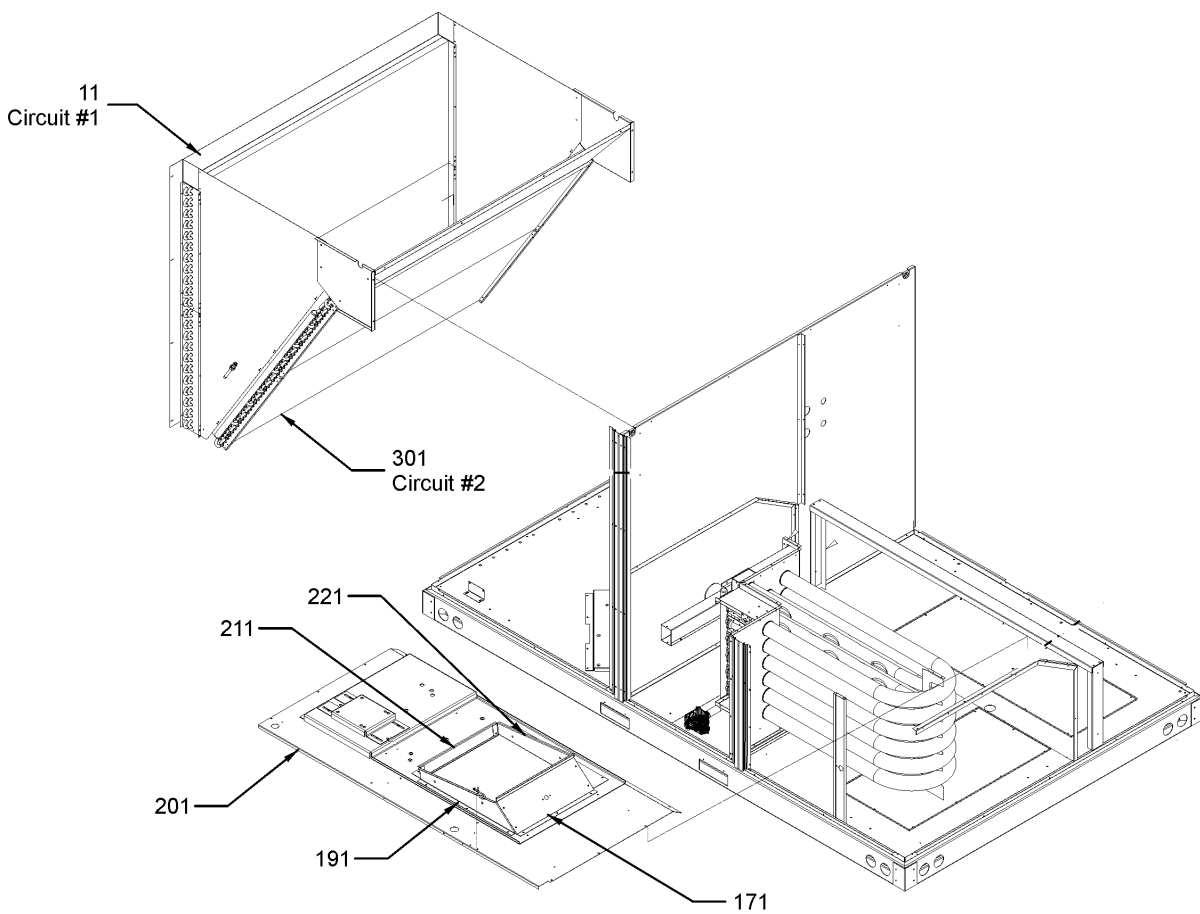
Image 1:

21	0270L00184	SIDE VERTICAL WELDMENT, RET
31	0121L00517	BLOCKOFF-EVAPORATOR, RET END
41	0121L00845	EVAP EXTENSION-HAIRPIN SIDE
51	0121L00399	FILTER ANGLE-HORIZONTAL
61	0270L00161	FILTER ANGLE-HORIZONTAL (CENTER)
71	0270L00185	SIDE VERTICAL WELDMENT, HPIN
81	0202L00044	TUBING ASSY, EVAP COIL
111	0121L00372	DRAIN PAN SUPPORT
141	0161L00002	DRAIN PAN
151	0121L00374	DECK SIDE CHANNEL
161	0121L00522	HEAT EXCHANGER BLOCK-OFF
NS	B1369611	AIR FILTER 20 X 25 X 2 (QTY 4)

Expanded Model Nomenclature

- M1 - CPG1502103BABBAB
- M2 - CPG1502103BHXJAB
- M3 - CPG1502103BHXZAB
- M4 - CPG1502103BJANAB
- M5 - CPG1502103BJAOAB
- M6 - CPG1502103BJXOAB
- M7 - CPG1502103BXXCAB
- M8 - CPG1502103BXXEAB
- M9 - CPG1502104BASDAB
- M10 - CPG1502104BHAXAB
- M11 - CPG1502104BJANAB
- M12 - CPG1502104BJATAB
- M13 - CPG1502104BJXGAB
- M14 - CPG1502104BJXNAB
- M15 - CPG1502107HAXXAB

Condenser / Partition Assembly



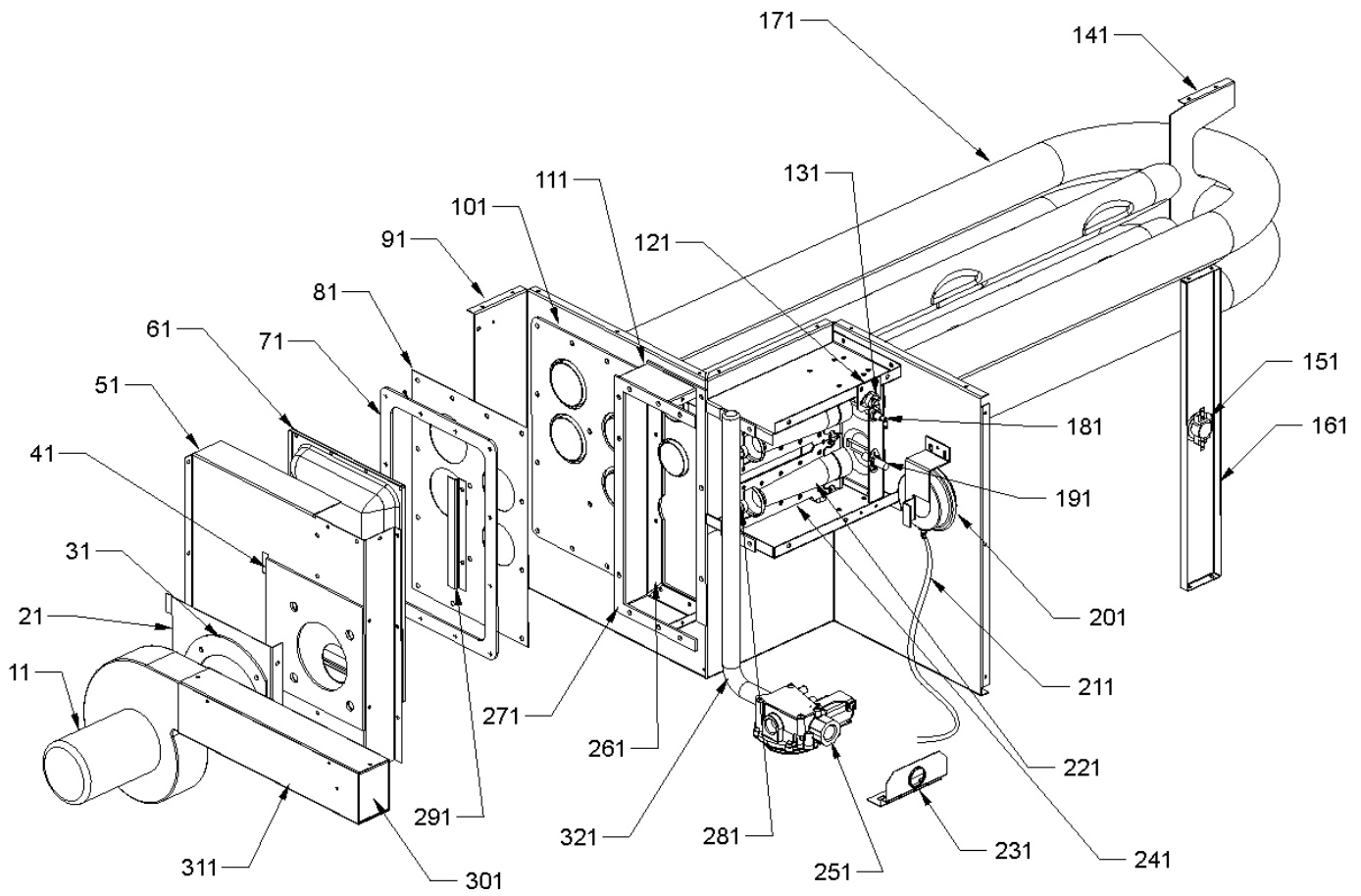
Condenser / Partition Assembly

Ref. Part No:	Ref. Part No:	Description:	Description:
Image 1:			
11	0201L00148	CONDENSER TUBING ASSY C1 (M1)	
11	0201L00080	TUBING ASSY, COND COIL (M2, M3, M4, M5, M6, M7, M8, M9, M10, M11, M12, M13, M14, M15)	
171	0121L00168	BLOWER TRANSITION, RH END	
191	0121L00092	BLOWER TRANSITION, FRONT	
201	0121L00928	DECK-BLOWER	
211	0121L00169	BLOWER TRANSITION, LH END	
221	0121L00094	BLOWER TRANSITION, BACK	
241	ZP67KCETFD830	COMP, 67000,460/60/3 (M9, M10, M11, M12, M13, M14)	
241	ZP67KCETF5830	COMP, 67500,200/230/60/3 (M1, M2, M3, M4, M5, M6, M7, M8)	
241	ZP67KCETFE830	COMPRESSOR 67500, 575/60/3 (M15)	
251	0159L00004	COMPRESSOR SCROLL HARNESS (M9, M10, M11, M12, M13, M14, M15)	
251	0159L00009	COMPRESSOR SCROLL HARNESS (M1, M2, M3, M4, M5, M6, M7, M8)	
261	M0221641	TF SHOULDER SCREW (QTY 8)	
271	B1339533	COMPRESSOR GROMMET (QTY 8)	
281	0121L00408	COMPRESSOR MOUNTING PLATE (QTY 2)	
291	0159L00033	COMPRESSOR SCROLL HARNESS (M1, M2, M3, M4, M5, M6, M7, M8)	
291	0159L00035	COMPRESSOR SCROLL HARNESS (M9, M10, M11, M12, M13, M14, M15)	
301	0201L00149	CONDENSER TUBING ASSY C2 (M1)	
301	0201L00081	TUBING ASSY, COND COIL (M2, M3, M4, M5, M6, M7, M8, M9, M10, M11, M12, M13, M14, M15)	

Expanded Model Nomenclature

M1 - CPG1502103BABBAB
M2 - CPG1502103BHXJAB
M3 - CPG1502103BHXZAB
M4 - CPG1502103BJANAB
M5 - CPG1502103BJAOAB
M6 - CPG1502103BJXOAB
M7 - CPG1502103BXXCAB
M8 - CPG1502103BXXEAB
M9 - CPG1502104BASDAB
M10 - CPG1502104BHAXAB
M11 - CPG1502104BJANAB
M12 - CPG1502104BJATAB
M13 - CPG1502104BJXGAB
M14 - CPG1502104BJXNAB
M15 - CPG1502107HAXXAB

Heat Exchanger Assembly



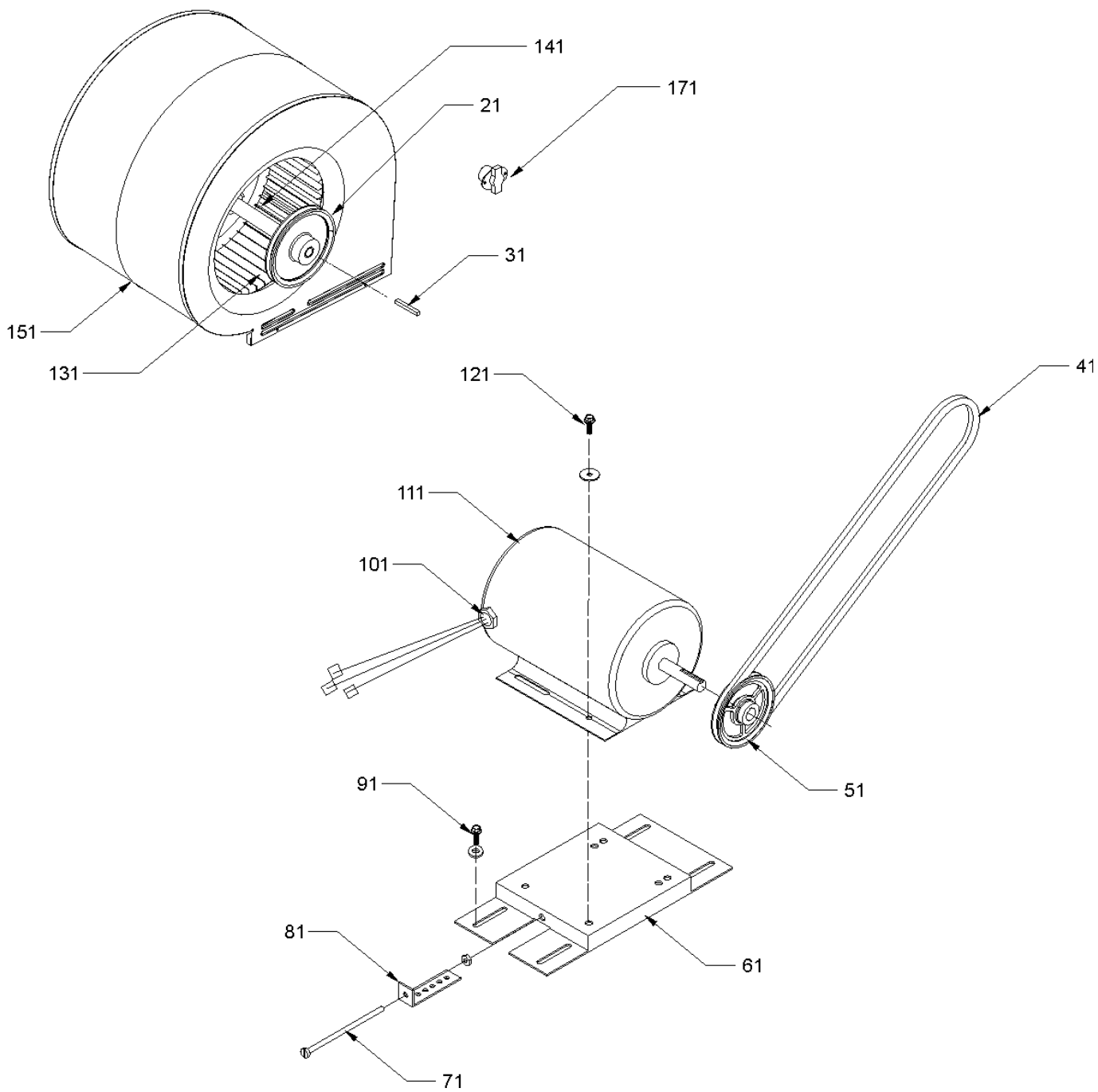
Heat Exchanger Assembly

Ref. Part No:	Part No:	Description:	Ref. Part No:	Part No:	Description:
Image 1:					
11	0131L00002	VENT MOTOR			
21	0121L00080	MOUNTING PLATE-ID BLOWER			
31	0154L00007	GASKET, BLOWER/ORIFICE PLATE			
41	0154L00006	GASKET, COLLECTOR/ORIFICE PLATE			
51	0121L00077	COLLECTOR BOX COVER			
61	0121L00072	REAR COVER, HEAT EXCHANGER			
71	0154L00010	REAR COVER GASKET, HEAT EXCHANGER			
81	0121L00133	TUBE PLATE, HEAT EXCHANGER			
91	0121L00033	PANEL-HT TUBES, 6 BURNER			
101	0154L00015	TUBE PLATE GASKET, HEAT EXCHANGER			
111	0121L00076	COLLECTOR BOX CHANNEL			
121	0121L00323	FLAME ROLLOUT BRACKET			
131	10123532	MANUAL RESET LIMIT 350°F			
141	0121L01065	SUPPORT-HT TUBES 6			
151	B1370187	PRIMARY LIMIT SWITCH 160°F			
161	0121L00093	POST-LIMIT SWITCH			
171	0270L00043	HEAT EXCHANGER ASSY 6B (M1, M2, M3, M4, M5, M6, M7, M8, M10, M11, M12, M13, M14, M15)			
171	0270L00171	HEAT EXCHANGER ASSY 6B (M9)			
181	0130F00010	FLAME SENSOR			
191	20261709	IGNITOR			
201	11112501	PRESSURE SWITCH			
211	A3468601	PRESSURE SWITCH HOSE			
221	0163L00000	BECKETT BURNER (QTY 6)			
231	0121L00147	PIPE BRACKET-GAS VALVE			
241	0121G00268	BRACKET-BURNER TOP/BOT (QTY 2)			
251	0151L00000	GAS VALVE (36H)			
261	0154L00011	INNER GASKET, COLLECTOR BOX			
271	0154L00012	OUTER GASKET, COLLECTOR BOX			
281	0163L00007	ORIFICE #34 DRILL (QTY 6)			
291	0121L00073	TUBE RESTRICTOR			
301	0163L00006	FLUE SCREEN			
311	0121L00049	HEAT EXCHANGER FLUE			
321	0163L00010	MANIFOLD - 6 BRNR			
NS	0121L00130DG	FLUE COLLAR			
NS	B1392609	SEAL STRIP, RED, 1/8 X 1/2 X 100 (QTY 3)			

Expanded Model Nomenclature

M1 - CPG1502103BABBAB
M2 - CPG1502103BHXJAB
M3 - CPG1502103BHXZAB
M4 - CPG1502103BJANAB
M5 - CPG1502103BJAOAB
M6 - CPG1502103BJXOAB
M7 - CPG1502103BXXCAB
M8 - CPG1502103BXXEAB
M9 - CPG1502104BASDAB
M10 - CPG1502104BHAXAB
M11 - CPG1502104BJANAB
M12 - CPG1502104BJATAB
M13 - CPG1502104BJXGAB
M14 - CPG1502104BJXNAB
M15 - CPG1502107HAXXAB

Belt Drive Blower / Motor Assembly



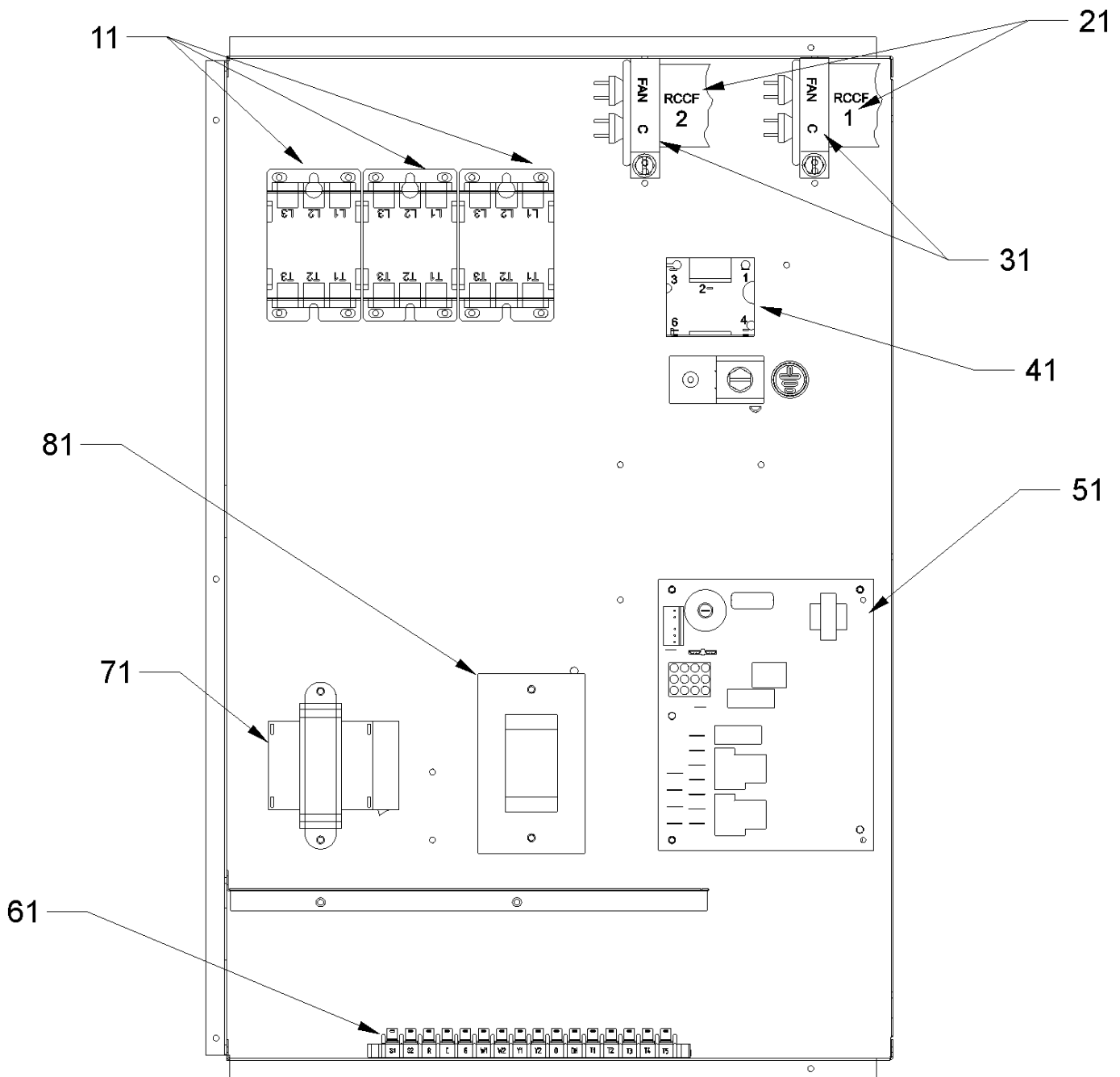
Belt Drive Blower / Motor Assembly

Ref. Part No: No:	Description:	Ref. Part No: No:	Description:
<i>Image 1:</i>			
21	B3204310		FIXED SHEAVE AK66
31	B1398604		STEEL KEY (000158812) 2.0"
41	0164L00001		NOTCHED FAN BELT AX49
51	0163L00035		VARIABLE PITCH SHEAVE (M15)
51	0163L00012		VARIABLE PITCH SHEAVE VL40
61	0270L00015		MOTOR BASE ASSY
71	0163M00045		BOLT 1/4-20 X 4"
81	3225000F		BELT TIGHTENER ANGLE
91	B1446707		SCREW 5/16-18 X 1" (QTY 4)
101	B1393726		ELECT. CONNECTING BUSHING
111	B3240004		BELT DRIVE MOTOR 2 HP (M1, M2, M3, M4, M5, M6, M7, M8, M9, M10, M11, M12, M13, M14)
111	0131L00006		BELT DRIVE MOTOR 3 HP 575 V (M15)
121	B1393738		BOLT 1/4-20 X 3/4" (QTY 4)
131	03-78497		BLOWER WHEEL
141	04-11526		BLOWER SHAFT
151	04-01526		BLOWER HOUSING
171	0130F00036		PRIMARY LIMIT - PINK
NS	04-02196		BLOWER BEARING & FRAME ASSY
NS	0270L00188		MOTOR ADAPATOR PLATE - HI STATIC (M15)
NS	0259L00008		MOTOR HARNESS-BELT DRIVE

Expanded Model Nomenclature

M1 - CPG1502103BABBAB
M2 - CPG1502103BHXJAB
M3 - CPG1502103BHXZAB
M4 - CPG1502103BJANAB
M5 - CPG1502103BJAOAB
M6 - CPG1502103BJXOAB
M7 - CPG1502103BXXCAB
M8 - CPG1502103BXXEAB
M9 - CPG1502104BASDAB
M10 - CPG1502104BHAXAB
M11 - CPG1502104BJANAB
M12 - CPG1502104BJATAB
M13 - CPG1502104BJXGAB
M14 - CPG1502104BJXNAB
M15 - CPG1502107HAXXAB

Control Box Assembly



Control Box Assembly

Ref. Part No:	No:	Description:	Ref. Part No:	No:	Description:
Image 1:					
11	CONT3P025024V	CONTACTOR 25 AMP, 3P, 24V (M9, M10, M11, M12, M13, M14, M15)			
11	CONT3P030024V	CONTACTOR 30 AMP, 3P, 24V (M1, M2, M3, M4, M5, M6, M7, M8)			
21	CAP050000370VA	CAPACITOR 5/370V (QTY 2)			
31	20520901	CAPACITOR STRAP (QTY 2)			
41	0130M00025	24V RELAY			
51	PCBAG123	IGNITION BOARD, DSI INTEGRATED			
61	0130M00038	TERMINAL BOARD			
71	0130M00144	TRANSFORMER (M1, M2, M3, M4, M5, M6, M7, M8)			
71	0130M00145	TRANSFORMER 480V to 24V, 75VA (M9, M10, M11, M12, M13, M14)			
71	0130M00148	TRANSFORMER 575V to 24V, 75VA (M15)			
81	B1141663	TRANSFORMER 460V TO 230V, 150 VA (M9, M10, M11, M12, M13, M14)			
81	0130M00044	TRANSFORMER 575/230V (M15)			
NS	0259L00031	12-PIN HARNESS			
NS	0259L00021	CONTROL HARNESS (M9, M10, M11, M12, M13, M14, M15)			
NS	0259L00022	CONTROL HARNESS (M1, M2, M3, M4, M5, M6, M7, M8)			
NS	0259L00099	ECONOMIZER HARNESS			

Expanded Model Nomenclature

M1 - CPG1502103BABBAB
M2 - CPG1502103BHXJAB
M3 - CPG1502103BHXZAB
M4 - CPG1502103BJANAB
M5 - CPG1502103BJAOAB
M6 - CPG1502103BJXOAB
M7 - CPG1502103BXXCAB
M8 - CPG1502103BXXEAB
M9 - CPG1502104BASDAB
M10 - CPG1502104BHAXAB
M11 - CPG1502104BJANAB
M12 - CPG1502104BJATAB
M13 - CPG1502104BJXGAB
M14 - CPG1502104BJXNAB
M15 - CPG1502107HAXXAB

ACCESSORY PARTS LIST

ACCESSORY PARTS

Ref. Part No:	Ref. Part No:	Description:	Description:
Image 1:			
NS 0130M00065		CIRCUIT BREAKER, CONVENIENCE OUTLET (M1, M4, M5, M6, M11, M12, M14)	
NS 0270L00275		CONVENIENCE OUTLET ASSY-NP (M1, M4)	
NS 0270L00279		CONVENIENCE OUTLET ASSY-NP (M2, M5, M6, M11, M12, M13, M14)	
NS DSC060B59N001FI		DISCONNECT MODULE ASSY (M10, M13)	
NS DSC060B59Y001FI		DISCONNECT MODULE ASSY (M11, M12, M14)	
NS DSC100B59N001FI		DISCONNECT MODULE ASSY (M2, M3)	
NS DSC100B59Y001FI		DISCONNECT MODULE ASSY (M4, M5, M6)	
NS DNECONGS150		ECONOMIZER DOWNFLOW GAS/AC (M1, M4, M5, M6, M9, M11, M12, M13, M14, M15)	
NS HAILGD05FI		HAIL GUARD ASSY (M1, M4, M5, M10, M11, M12)	
NS LAKT03		LOW AMBIENT KIT (M7)	
NS LAKT03		LOW AMBIENT KIT (M12)	
NS SDRKT01FI75T12		SMOKE DETECTOR ASSEMBLY (M4, M9, M11, M13, M14)	
NS SDSKT01FI75T12		SMOKE DETECTOR ASSEMBLY (M8)	
NS SDSRKT01FI75T12		SMOKE DETECTOR ASSEMBLY (M2, M3, M5, M6, M12)	
NS 0130M00061		TRANSFORMER, CONVENIENCE OUTLET (M1, M4, M5, M6, M11, M12, M14)	

Expanded Model Nomenclature

M1 - CPG1502103BABBAB
M2 - CPG1502103BHXJAB
M3 - CPG1502103BHXZAB
M4 - CPG1502103BJANAB
M5 - CPG1502103BJAOAB
M6 - CPG1502103BJXOAB
M7 - CPG1502103BXXCAB
M8 - CPG1502103BXXEAB
M9 - CPG1502104BASDAB
M10 - CPG1502104BHAXAB
M11 - CPG1502104BJANAB
M12 - CPG1502104BJATAB
M13 - CPG1502104BJXGAB
M14 - CPG1502104BJXNAB
M15 - CPG1502107HAXXAB