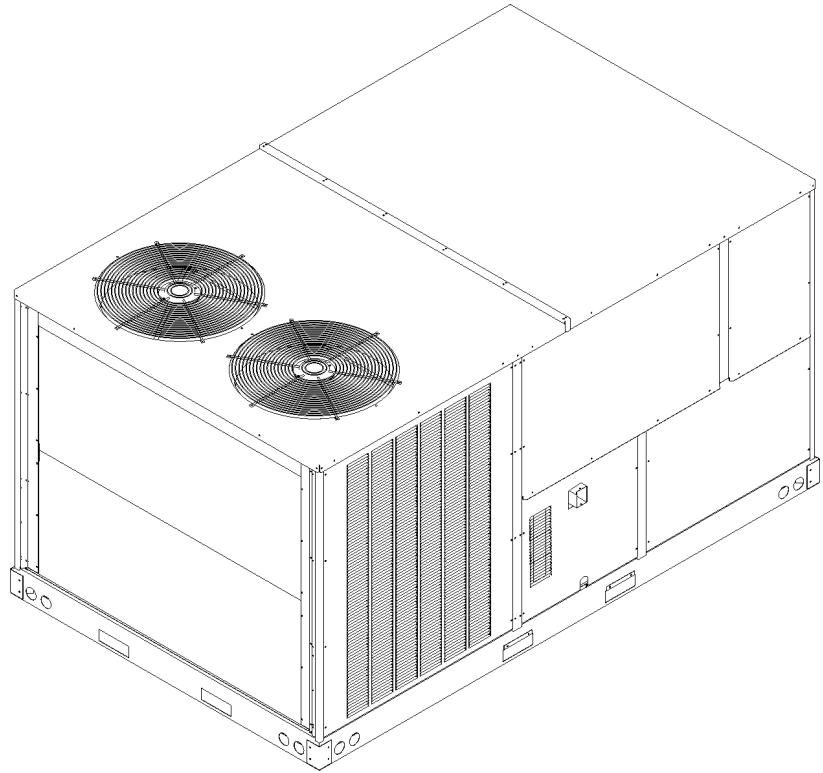


REPAIR PARTS

Commercial 10 Ton Package Gas Units

CPG1202103BAABAB
CPG1202103BABBAB
CPG1202103BHADAB
CPG1202103BHXABA
CPG1202103BHXBAB
CPG1202103BHXJBA
CPG1202103BHXNBA
CPG1202103BHXZAB
CPG1202103BJANAB
CPG1202103BXXEBA
CPG1202103HAABAB
CPG1202103HAAVAB
CPG1202103HAAXAB
CPG1202104BJANAB
CPG1202104BJXNBA
CPG1202104BXSAAB
CPG1202104HAABAB
CPG1202104HASCAB
CPG1202107BASFAB
CPG1202107HAAXAB
CPG1202107HAJXAB
CPG1202107HAXXAB



This manual is to be used by qualified technicians only.

This manual replaces RP-683F.

© 2012-2013, 2016 Goodman Manufacturing Company, L.P. ♦ 5151 San Felipe St., Suite 500 ♦ Houston, TX 77056

Important Information

Index

Functional Parts List	3
Illustration and Parts	4 - 19

Views shown are for parts illustrations only, not servicing procedures

Text Codes:

AR - As Required

NA - Not Available

NS - Not Shown

00000000 - See Note

QTY - Quantity Example (QTY 3) (If Quantity not shown, Quantity = 1)

M - Model Example (M1) (If M Code not shown, then part is used on all Models)

Expanded Model Nomenclature:

Example M1 - Model#1 M2 - Model#2 M3 - Model#3

Goodman Manufacturing Company, L.P. is not responsible for personal injury or property damage resulting from improper service. Review all service information before beginning repairs.

Warranty service must be performed by an authorized technician, using authorized factory parts. If service is required after the warranty expires, Goodman Manufacturing Company, L.P. also recommends contacting an authorized technician and using authorized factory parts.

Goodman Manufacturing Company, L.P. reserves the right to discontinue, or change at any time, specifications or designs without notice or without incurring obligations.

For assistance within the U.S.A. contact:

Consumer Affairs Department
Goodman Manufacturing Company, L.P.
7401 Security Way
Houston, Texas 77040
877-254-4729-Telephone
713-863-2382-Facsimile

For assistance outside the U.S.A. contact:

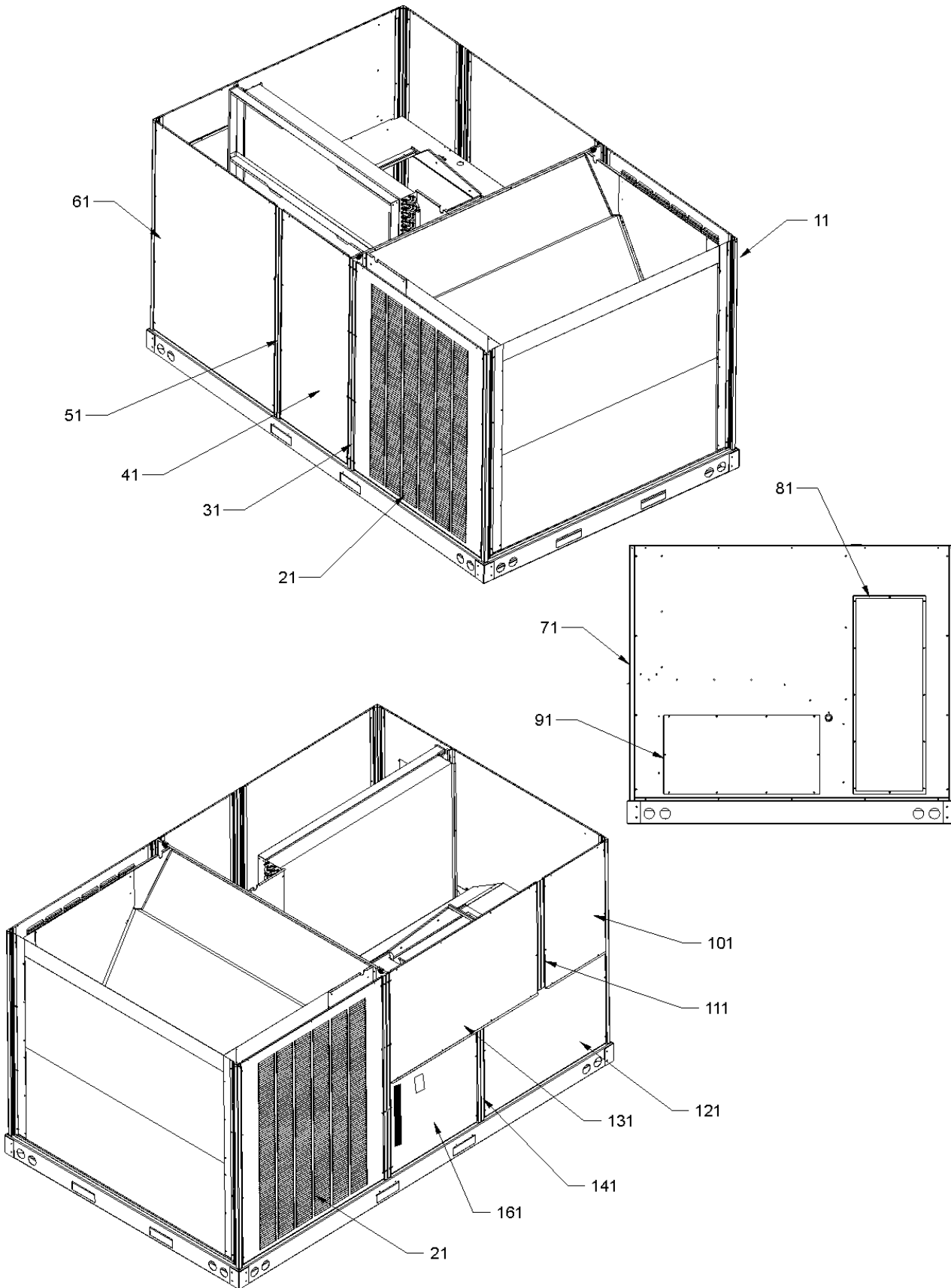
International Division
Goodman Manufacturing Company, L.P.
7401 Security Way
Houston, Texas 77040
713-861-2500-Telephone
713-863-2382-Facsimile

Functional Parts

Part No: **Description:**

Part No:	Description:	Expanded Model Nomenclature
0130M00025	24V RELAY	M1 - CPG1202103BAABAB
B3240004	BELT DRIVE MOTOR 2 HP (M11, M12, M13, M17, M18)	M2 - CPG1202103BABBAB
B3240006	BELT DRIVE MOTOR 2 HP (M1, M2, M3, M4, M5, M6, M7, M8, M9, M10, M14, M15, M16)	M3 - CPG1202103BHADAB
0131L00005	BELT DRIVE MOTOR 2 HP 575 V (M19)	M4 - CPG1202103BHXABA
0131L00006	BELT DRIVE MOTOR 3 HP 575 V (M20, M21, M22)	M5 - CPG1202103BHXBAB
03-78497	BLOWER WHEEL	M6 - CPG1202103BHXJBA
CAP050000370VA	CAPACITOR 5/370V (QTY 2)	M7 - CPG1202103BHXNBA
ZP51K5ETF5130	COMPRESSOR 51000, 208/230/60/3 (M1, M2, M3, M4, M5, M6, M7, M8, M9, M10, M11, M12, M13)	M8 - CPG1202103BHXZAB
ZP51K5ETFD130	COMPRESSOR 51000, 460/60/3 (M14, M15, M16, M17, M18)	M9 - CPG1202103BJANAB
ZP51K5ETFE130	COMPRESSOR 51000, 575/60/3 (M19, M20, M21, M22)	M10 - CPG1202103BXXEBA
0131M00008P	COND MOTOR 1/3 HP, 1 SP, 6 PL (M1, M2, M3, M4, M5, M6, M7, M8, M9, M10, M11, M12, M13)	M11 - CPG1202103HAABAB
B13400249	COND MOTOR 1/3 HP, 460V (M14, M15, M16, M17, M18)	M12 - CPG1202103HAAVAB
0131M00179	COND MOTOR 1/3 HP, 6 PL, 575V (M19, M20, M21, M22)	M13 - CPG1202103HAAXAB
CONT3P025024V	CONTACTOR 25 AMP, 3P, 24V (QTY 3)	M14 - CPG1202104BJANAB
0130M00030	CUT-OUT SWITCH, HIGH PRESSURE	M15 - CPG1202104BJXNBA
0130M00031	CUT-OUT SWITCH, HIGH PRESSURE	M16 - CPG1202104BXSAB
0130L00002	CUT-OUT SWITCH, LOW PRESSURE	M17 - CPG1202104HAABAB
0130L00003	CUT-OUT SWITCH, LOW PRESSURE	M18 - CPG1202104HASCAB
10625733	FAN BLADE 22" ALUM CCW (QTY 2)	M19 - CPG1202107BASFAB
0130F00010	FLAME SENSOR	M20 - CPG1202107HAAXAB
0151L00000	GAS VALVE (36H)	M21 - CPG1202107HAJXAB
PCBAG123	IGNITION BOARD, DSI INTEGRATED	M22 - CPG1202107HAXXAB
20261709	IGNITOR	
10123532	MANUAL RESET LIMIT 350°F	
0164L00001	NOTCHED FAN BELT AX49 (M11, M12, M13, M17, M18, M20, M21, M22)	
0164L00000	NOTCHED FAN BELT AX51	
11112501	PRESSURE SWITCH	
0130M00038	TERMINAL BOARD	
B1141663	TRANSFORMER 460V TO 230V, 150 VA (M14, M15, M16, M17, M18)	
B1141653	TRANSFORMER 480V, 75VA, RESETTABLE (M14, M15, M16, M17, M18)	
B1141672	TRANSFORMER 480V, 75VA, RESETTABLE (M1, M2, M3, M4, M5, M6, M7, M8, M9, M10, M11, M12, M13)	
0130M00044	TRANSFORMER 575/230V (M19, M20, M21, M22)	
0130M00045	TRANSFORMER 575/24V (M19, M20, M21, M22)	
0131L00002	VENT MOTOR	

Cabinet Assembly



Cabinet Assembly

Ref. Part No: No:	Description:	Ref. Part No: No:	Description:
-------------------	--------------	-------------------	--------------

Image 1:

11	0121L00065RFDG	CORNER POST (QTY 4)
21	0121L00511DG	LOUVERED SIDE PANEL (QTY 2)
31	0121L00738RFDG	PNT, ROLL FORM SIDE POST (QTY 2)
41	0270L00272	INSUL FILTER DOOR ASSY
51	0121L00739RFDG	PNT, RFORM, FILTER DOOR POST
61	0270L00175	INSULATED ASSY, ECONOMIZER DOOR
71	0270L00180	INSULATED ASSY, DUCT PANEL
81	0270L00041	INSULATED ASSY, SUPPLY DUCT
91	0270L00040	INSULATED ASSY, RETURN DUCT
101	0121L00764DG	PNT, DOOR, CONTROL
111	0121L00762RFDG	RF, PNT, POST, CONTROL BOX
121	0270L00299	INSUL HEAT EXCH DOOR ASSY
131	0270L00298	INSUL BLWR DOOR ASSY
141	0121L00765RFDG	RF, PNT, POST, BURNER BOX
161	0121L00766DG	DOOR, BURNERS, PAINTED
NS	0121L00129	DOOR RAIN SHIELD (M1, M2, M9, M11, M12, M13, M14, M15, M17, M18, M19, M20, M21, M22)

Expanded Model Nomenclature

- M1 - CPG1202103BAABAB
- M2 - CPG1202103BABBAB
- M3 - CPG1202103BHADAB
- M4 - CPG1202103BHXABA
- M5 - CPG1202103BHXBAB
- M6 - CPG1202103BHXJBA
- M7 - CPG1202103BHXNBA
- M8 - CPG1202103BHXZAB
- M9 - CPG1202103BJANAB
- M10 - CPG1202103BXXEBA
- M11 - CPG1202103HAABAB
- M12 - CPG1202103HAAVAB
- M13 - CPG1202103HAAXAB
- M14 - CPG1202104BJANAB
- M15 - CPG1202104BJXNBA
- M16 - CPG1202104BXSAB
- M17 - CPG1202104HAABAB
- M18 - CPG1202104HASCAB
- M19 - CPG1202107BASFAB
- M20 - CPG1202107HAAXAB
- M21 - CPG1202107HAJXAB
- M22 - CPG1202107HAXXAB

Top Panel / Tubing Assembly

Image 1

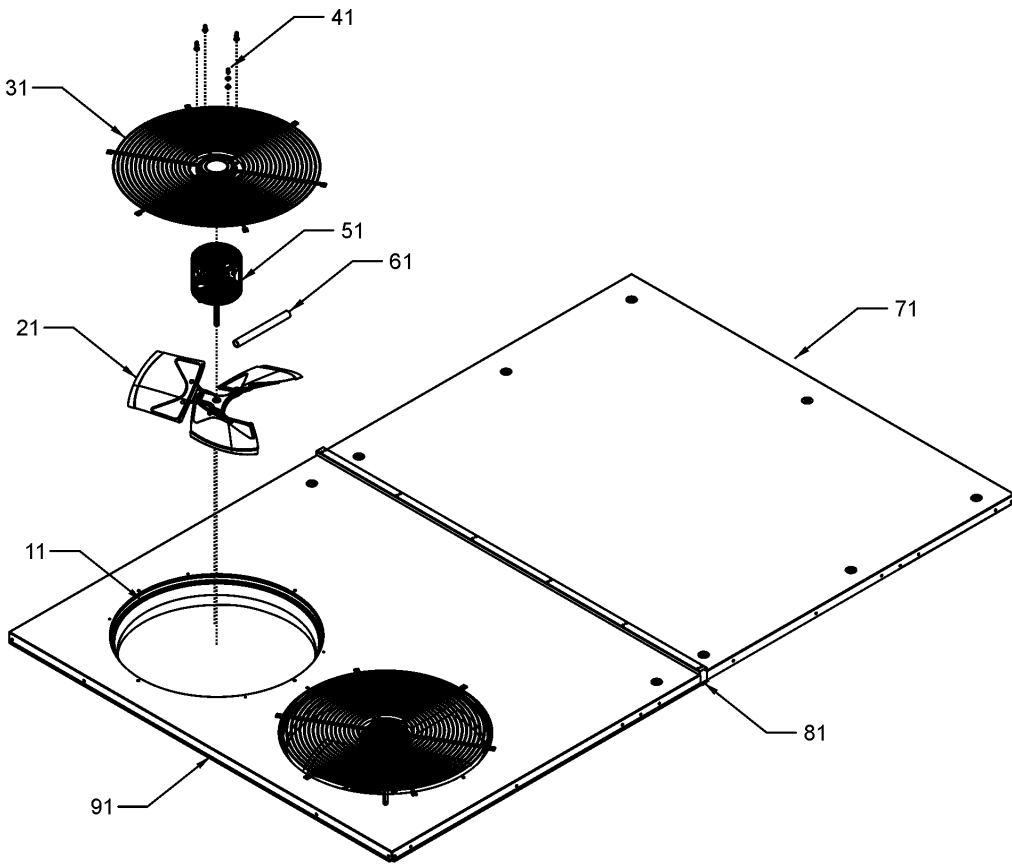
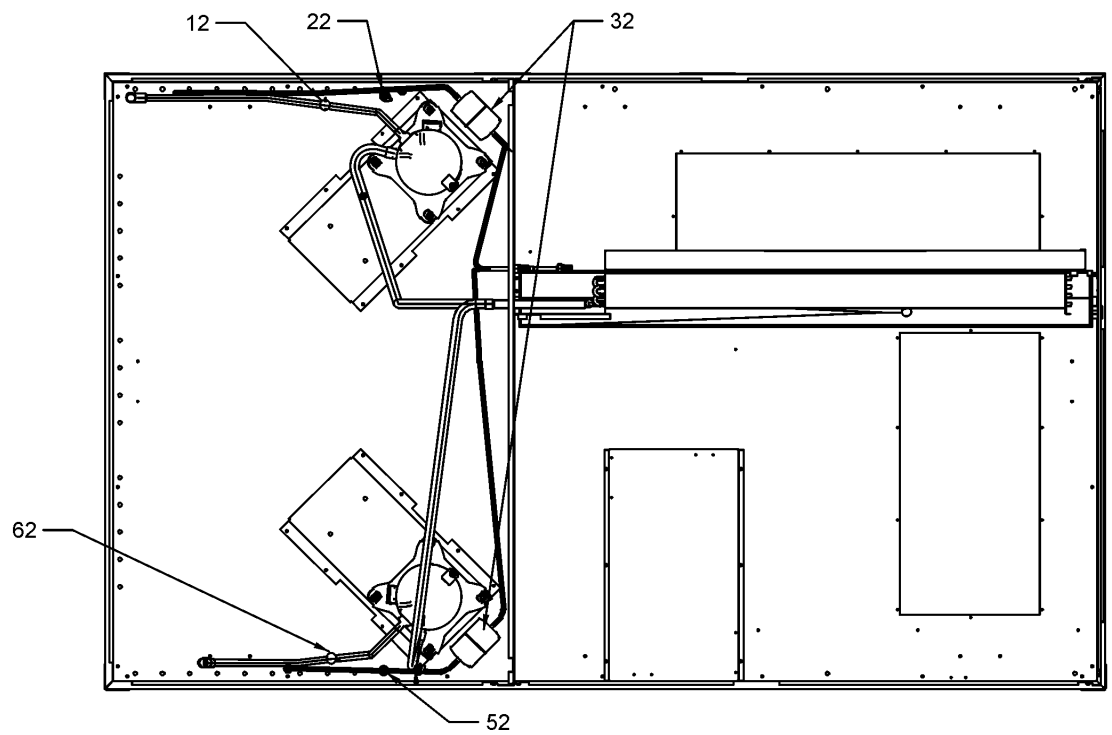


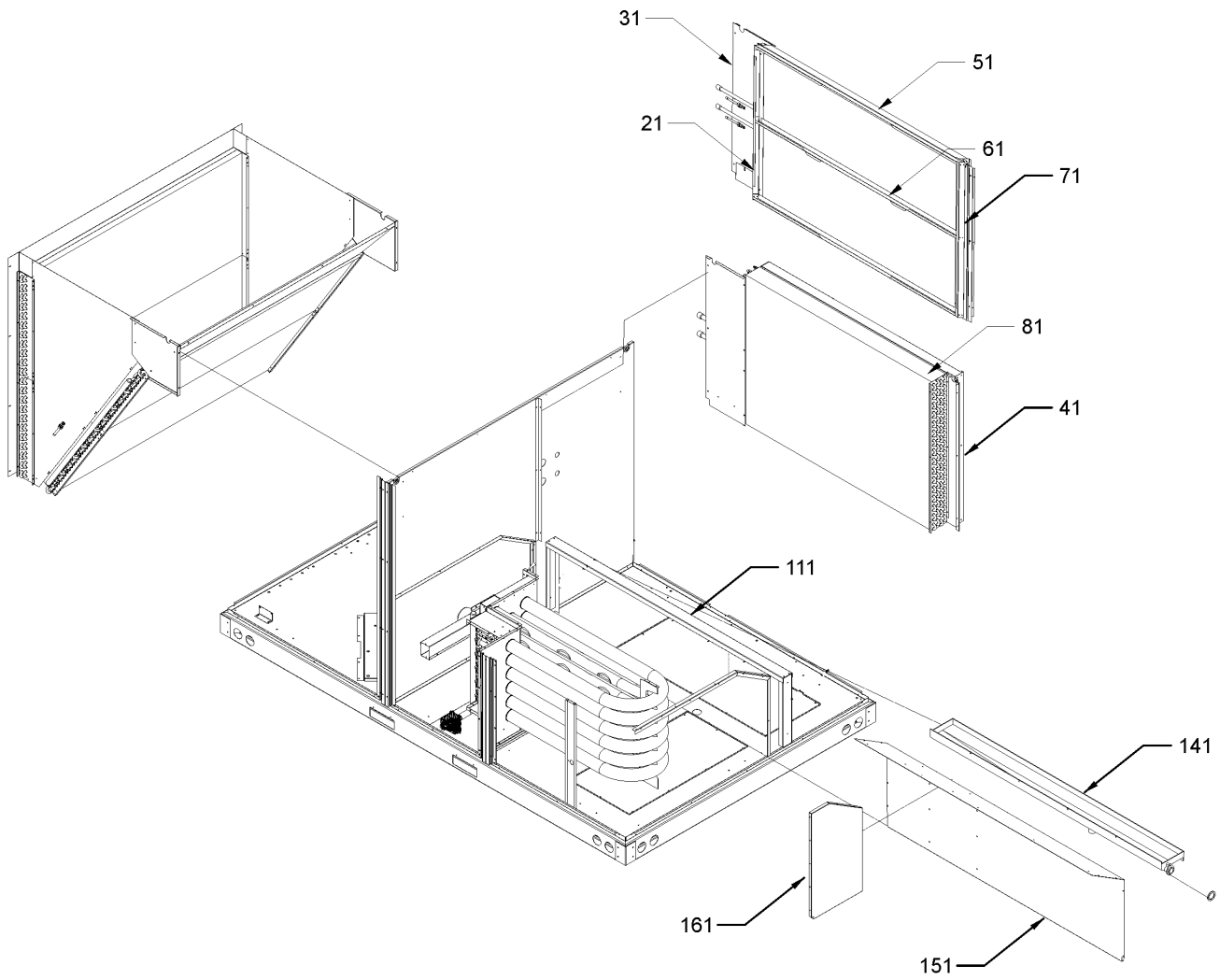
Image 2



Top Panel / Tubing Assembly

Ref. Part No: No:	Description:	Ref. Part No: No:	Description:
Image 1:		Expanded Model Nomenclature	
11	0161L00000 VENTURI RING 22" (QTY 2)	M1	CPG1202103BAABAB
21	10625733 FAN BLADE 22" ALUM CCW (QTY 2)	M2	CPG1202103BABBAB
31	0152G00003 FAN GRILLE (QTY 2)	M3	CPG1202103BHADAB
41	0163M00006P ACORN NUT 5/16 HEX BLACK (QTY 8)	M4	CPG1202103BHXABA
51	0131M00008P COND MOTOR 1/3 HP, 1 SP, 6 PL (M1, M2, M3, M4, M5, M6, M7, M8, M9, M10, M11, M12, M13)	M5	CPG1202103BHXBAB
51	B13400249 COND MOTOR 1/3 HP, 460V (M14, M15, M16, M17, M18)	M6	CPG1202103BHXJBA
51	0131M00179 COND MOTOR 1/3 HP, 6 PL, 575V (M19, M20, M21, M22)	M7	CPG1202103BHXNBA
61	17788000083F PVC CONDUIT 8.25" (QTY 2)	M8	CPG1202103BHXZAB
71	0121L00497DG EVAP TOP PANEL	M9	CPG1202103BJANAB
81	20455902 SPLICE GASKET .50 X .25 (QTY 5)	M10	CPG1202103BXXEBA
91	0121L01014DG COND TOP PANEL	M11	CPG1202103HAABAB
NS	0259L00025 COND MOTOR HARNESS 230V (M1, M2, M3, M4, M5, M6, M7, M8, M9, M10, M11, M12, M13, M19, M20, M21, M22)	M12	CPG1202103HAAVAB
NS	0259L00027 COND MOTOR HARNESS 230V (M1, M2, M3, M4, M5, M6, M7, M8, M9, M10, M11, M12, M13, M19, M20, M21, M22)	M13	CPG1202103HAAXAB
NS	0259L00026 COND MOTOR HARNESS 460V (M14, M15, M16, M17, M18)	M14	CPG1202104BJANAB
NS	0259L00028 COND MOTOR HARNESS 460V (M14, M15, M16, M17, M18)	M15	CPG1202104BJXNBA
		M16	CPG1202104BXSAB
		M17	CPG1202104HAABAB
		M18	CPG1202104HASCAB
		M19	CPG1202107BASFAB
		M20	CPG1202107HAAXAB
		M21	CPG1202107HAJXAB
		M22	CPG1202107HAXXAB
Image 2:			
12	0130M00030 CUT-OUT SWITCH, HIGH PRESSURE		
22	0130L00002 CUT-OUT SWITCH, LOW PRESSURE		
32	B1219204 BI-FLOW FILTER DRIER		
52	0130L00003 CUT-OUT SWITCH, LOW PRESSURE		
62	0130M00031 CUT-OUT SWITCH, HIGH PRESSURE		
NS	B1373315 ACCESS FITTING (QTY 4)		
NS	0163M00175 CAP WITH O-RING (QTY 4)		

Evaporator / Partition Assembly



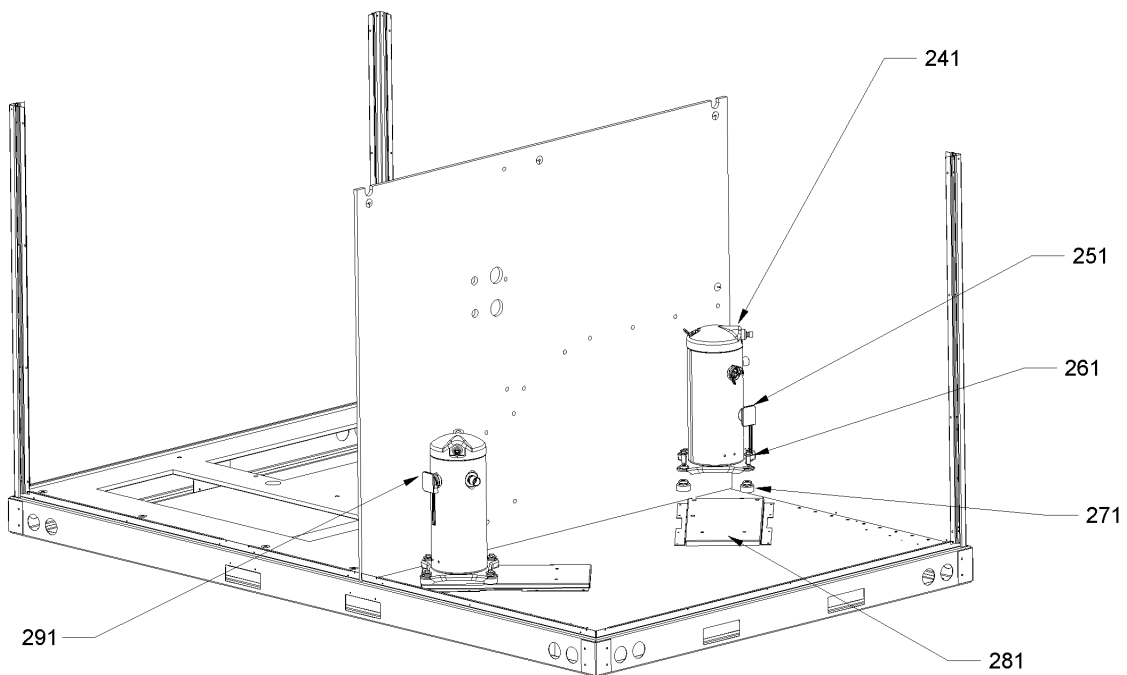
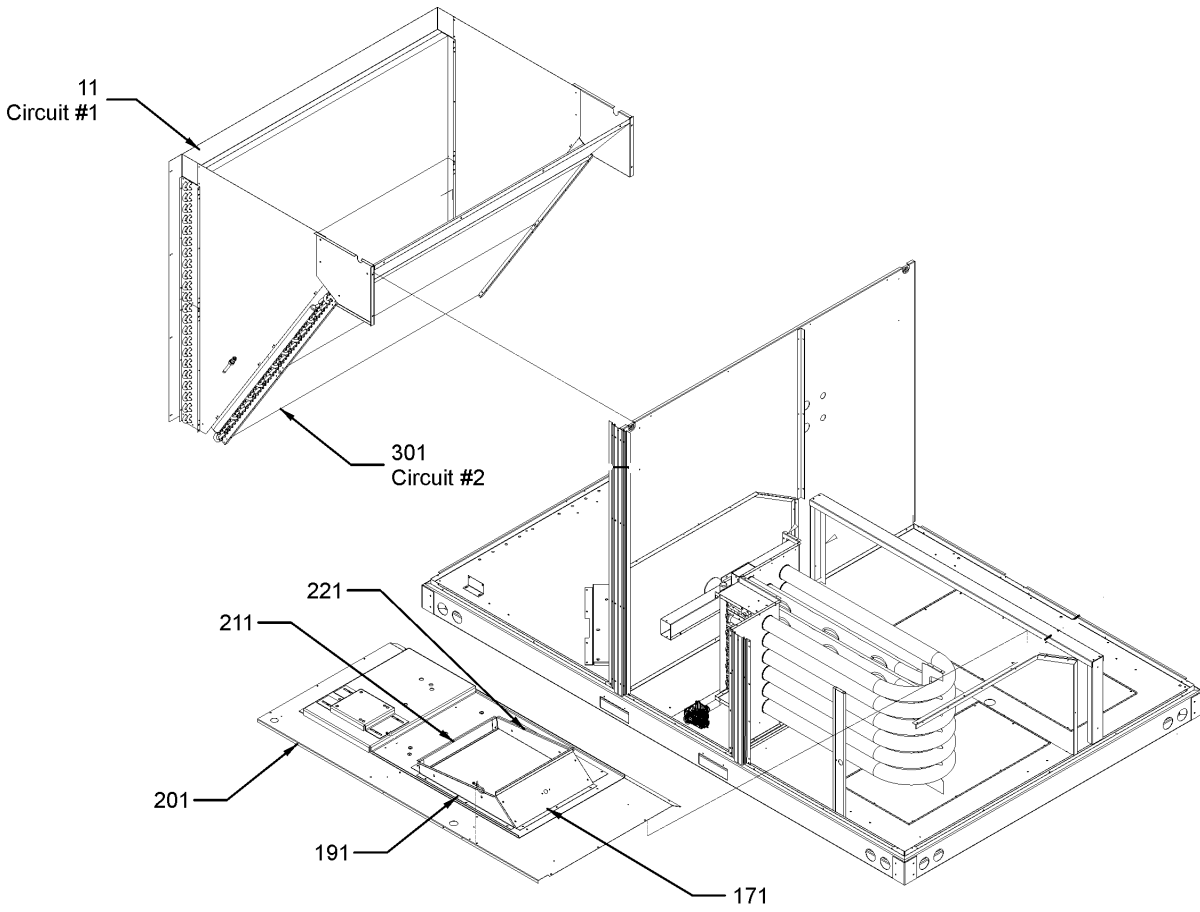
Evaporator / Partition Assembly

Ref. Part No:	Part No:	Description:	Ref. Part No:	Part No:	Description:
Image 1:					
21	0121L00650	FILTER ANGLE-VERTICAL (RETURN SIDE)			
31	0121L00210	EVAP EXTENSION-RETURN SIDE			
41	0121L00843	EVAP EXTENSION-HAIRPIN SIDE			
51	0121L00649	FILTER ANGLE - HORIZONTAL (QTY 2)			
61	0121L00648	FILTER ANGLE - HORIZONTAL (CENTER)			
71	0121L00358	FILTER ANGLE-VERTICAL (HAIRPIN SIDE)			
81	0202L00007	TUBING ASSY, EVAP COIL (M1, M2, M3, M4, M5, M6, M7, M8, M9, M10, M11, M12, M13, M14, M15, M16, M17, M18)			
81	0202L00059	TUBING ASSY, EVAP COIL (M19, M20, M21, M22)			
111	0121L00508	DRAIN PAN SUPPORT			
141	0161L00002	DRAIN PAN			
151	0121L00374	DECK SIDE CHANNEL			
161	0121L00522	HEAT EXCHANGER BLOCK-OFF			
NS	0160L00021	AIR FILTER (QTY 4)			
NS	0162L00004	FLOWRATOR [EVAP] (M19, M20, M21, M22)			
NS	0162L00011	FLOWRATOR [EVAP] (M1, M2, M3, M4, M5, M6, M7, M8, M9, M10, M11, M12, M13, M14, M15, M16, M17, M18)			

Expanded Model Nomenclature

- M1 - CPG1202103BAABAB
- M2 - CPG1202103BABBAB
- M3 - CPG1202103BHADAB
- M4 - CPG1202103BHXABA
- M5 - CPG1202103BHXBAB
- M6 - CPG1202103BHXJBA
- M7 - CPG1202103BHXNBA
- M8 - CPG1202103BHXZAB
- M9 - CPG1202103BJANAB
- M10 - CPG1202103BXXEBA
- M11 - CPG1202103HAABAB
- M12 - CPG1202103HAAVAB
- M13 - CPG1202103HAAXAB
- M14 - CPG1202104BJANAB
- M15 - CPG1202104BJXNBA
- M16 - CPG1202104BXSAB
- M17 - CPG1202104HAABAB
- M18 - CPG1202104HASCAB
- M19 - CPG1202107BASFAB
- M20 - CPG1202107HAAXAB
- M21 - CPG1202107HAJXAB
- M22 - CPG1202107HAXXAB

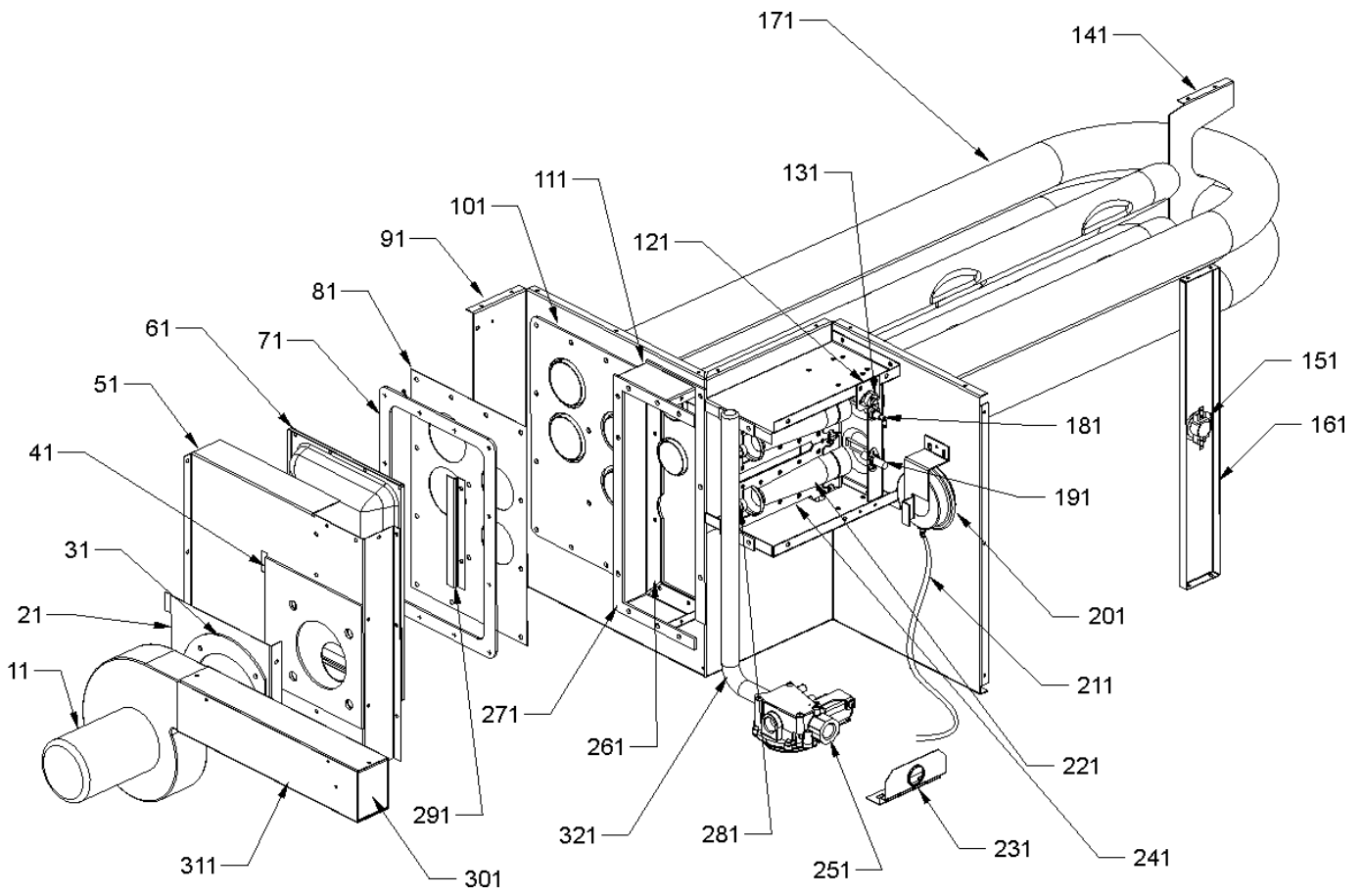
Condenser / Partition Assembly



Condenser / Partition Assembly

Ref. Part No: No:	Description:	Ref. Part No: No:	Description:
<i>Image 1:</i>		Expanded Model Nomenclature	
11	0201L00130	COND COIL ASSY, 5MM C1 (M4, M6, M7, M10, M15)	M1 - CPG1202103BAABAB
11	0201L00015	TUBING ASSY, COND COIL (M1, M3, M5, M8, M9, M11, M12, M13, M14, M16, M17, M18, M19, M20, M22)	M2 - CPG1202103BABAB
11	0201L00028	TUBING ASSY, COND COIL (M2, M21)	M3 - CPG1202103BHADAB
171	0121L00168	BLOWER TRANSITION, RH END	M4 - CPG1202103BHXABA
191	0121L00092	BLOWER TRANSITION, FRONT	M5 - CPG1202103BHXBAB
201	0121L00928	DECK-BLOWER	M6 - CPG1202103BHXJBA
211	0121L00169	BLOWER TRANSITION, LH END	M7 - CPG1202103BHXNBA
221	0121L00094	BLOWER TRANSITION, BACK	M8 - CPG1202103BHXZAB
241	ZP51K5ETFF5130	COMPRESSOR 51000, 208/230/60/3 (M1, M2, M3, M4, M5, M6, M7, M8, M9, M10, M11, M12, M13)	M9 - CPG1202103BJANAB
241	ZP51K5ETFD130	COMPRESSOR 51000, 460/60/3 (M14, M15, M16, M17, M18)	M10 - CPG1202103BXXEBA
241	ZP51K5ETFE130	COMPRESSOR 51000, 575/60/3 (M19, M20, M21, M22)	M11 - CPG1202103HAABAB
251	0159L00004	COMPRESSOR SCROLL HARNESS	M12 - CPG1202103HAAVAB
261	M0221641	TF SHOULDER SCREW (QTY 8)	M13 - CPG1202103HAAXAB
271	B1339533	COMPRESSOR GROMMET (QTY 8)	M14 - CPG1202104BJANAB
281	0121L00408	COMPRESSOR MOUNTING PLATE (QTY 2)	M15 - CPG1202104BJXNBA
291	0159L00005	COMPRESSOR SCROLL HARNESS	M16 - CPG1202104BXSAB
301	0201L00136	COND COIL ASSY, 5MM C2 (M4, M6, M7, M10, M15)	M17 - CPG1202104HAABAB
301	0201L00016	TUBING ASSY, COND COIL (M1, M3, M5, M8, M9, M11, M12, M13, M14, M16, M17, M18, M19, M20, M22)	M18 - CPG1202104HASCAB
301	0201L00029	TUBING ASSY, COND COIL (M2, M21)	M19 - CPG1202107BASFAB
NS	0162L00006	FLOWRATOR [COND] (M1, M2, M3, M5, M8, M9, M11, M12, M13, M14, M16, M17, M18, M19, M20, M21, M22)	M20 - CPG1202107HAAXAB
			M21 - CPG1202107HAJXAB
			M22 - CPG1202107HAXXAB

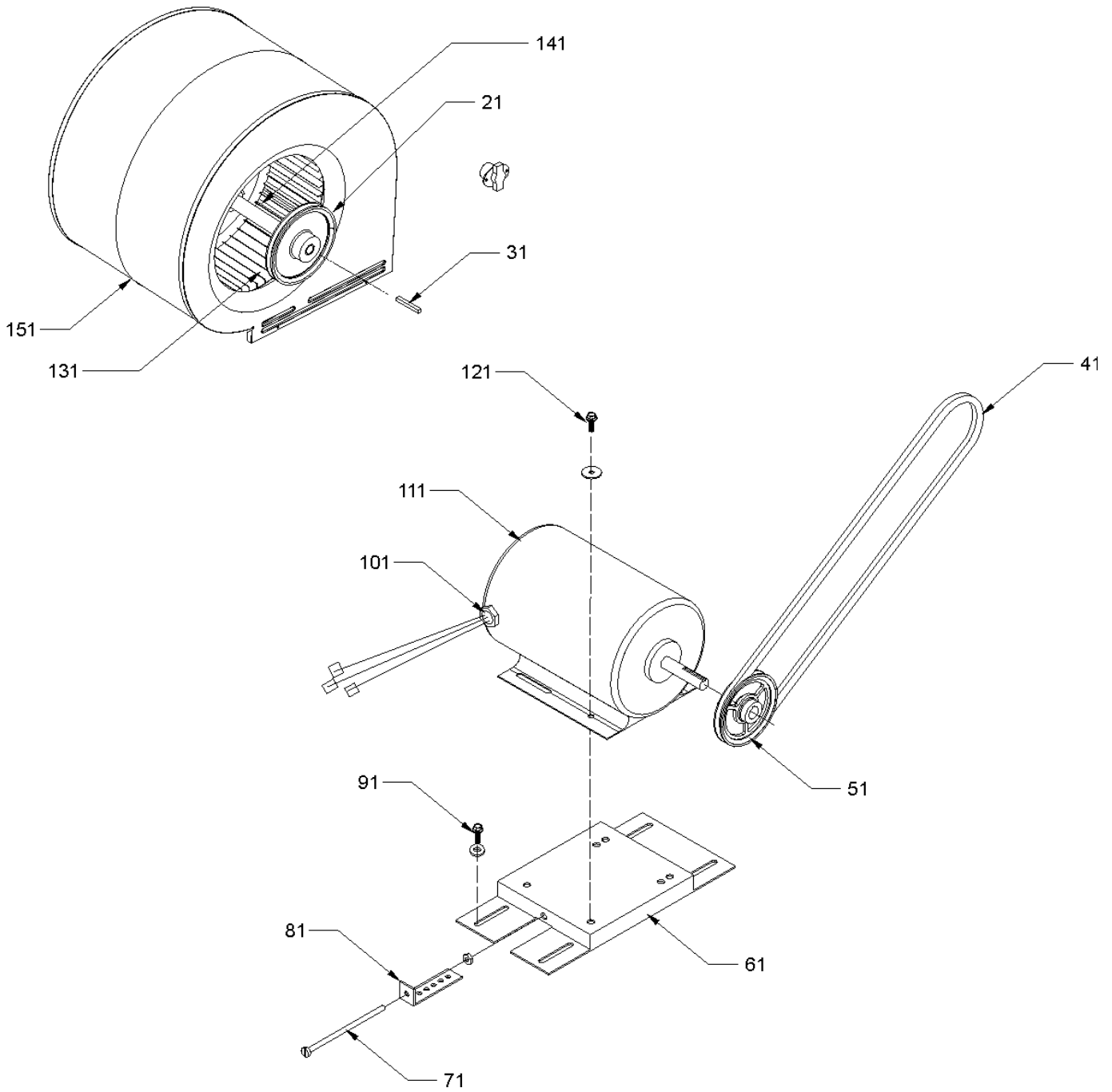
Heat Exchanger Assembly



Heat Exchanger Assembly

Ref. Part No: No:	Description:	Ref. Part No: No:	Description:
Image 1:		Expanded Model Nomenclature	
11	0131L00002 VENT MOTOR	M1	CPG1202103BAABAB
21	0121L00080 MOUNTING PLATE-ID BLOWER	M2	CPG1202103BABBAB
31	0154L00007 GASKET, BLOWER/ORIFICE PLATE	M3	CPG1202103BHADAB
41	0154L00006 GASKET, COLLECTOR/ORIFICE PLATE	M4	CPG1202103BHXABA
51	0121L00077 COLLECTOR BOX COVER	M5	CPG1202103BHXBAB
61	0121L00072 REAR COVER, HEAT EXCHANGER	M6	CPG1202103BHXJBA
71	0154L00010 REAR COVER GASKET, HEAT EXCHANGER	M7	CPG1202103BHXNBA
81	0121L00133 TUBE PLATE, HEAT EXCHANGER	M8	CPG1202103BHXZAB
91	0121L00033 PANEL-HT TUBES, 6 BURNER	M9	CPG1202103BJANAB
101	0154L00015 TUBE PLATE GASKET, HEAT EXCHANGER	M10	CPG1202103BXXEBA
111	0121L00076 COLLECTOR BOX CHANNEL	M11	CPG1202103HAABAB
121	0121L00323 FLAME ROLLOUT BRACKET	M12	CPG1202103HAAVAB
131	10123532 MANUAL RESET LIMIT 350°F	M13	CPG1202103HAAXAB
141	0121L01065 SUPPORT-HT TUBES 6	M14	CPG1202104BJANAB
151	B1370199 PRIMARY LIMIT SWITCH 190°F	M15	CPG1202104BJXNBA
161	0121L00093 POST-LIMIT SWITCH	M16	CPG1202104BXSAB
171	0270L00043 HEAT EXCHANGER ASSY 6B (M1, M2, M3, M4, M5, M6, M7, M8, M9, M10, M11, M12, M13, M14, M15, M17, M20, M21, M22)	M17	CPG1202104HAABAB
171	0270L00171 HEAT EXCHANGER ASSY 6B (M16, M18, M19)	M18	CPG1202104HASCAB
181	0130F00010 FLAME SENSOR	M19	CPG1202107BASFAB
191	20261709 IGNITOR	M20	CPG1202107HAAXAB
201	11112501 PRESSURE SWITCH	M21	CPG1202107HAJXAB
211	A3468601 PRESSURE SWITCH HOSE	M22	CPG1202107HAXXAB
221	0163L00000 BECKETT BURNER (QTY 6)		
231	0121L00147 PIPE BRACKET-GAS VALVE		
241	0121G00268 BRACKET-BURNER TOP/BOT (QTY 2)		
251	0151L00000 GAS VALVE (36H)		
261	0154L00011 INNER GASKET, COLLECTOR BOX		
271	0154L00012 OUTER GASKET, COLLECTOR BOX		
281	0163L00007 ORIFICE #34 DRILL (QTY 6)		
291	0121L00073 TUBE RESTRICTOR		
301	0163L00006 FLUE SCREEN		
311	0121L00049 HEAT EXCHANGER FLUE (QTY 2)		
321	0163L00010 MANIFOLD - 6 BRNR		
NS	0121L00130DG FLUE COLLAR		
NS	20162904 PRIMARY LIMIT-TEMPERATURE CONTROL		
NS	B1392609 SEAL STRIP, RED, 1/8 X 1/2 X 100 (QTY 3)		

Belt Drive Blower / Motor Assembly



Belt Drive Blower / Motor Assembly

Ref. Part No: No:	Description:	Ref. Part No: No:	Description:
-------------------	--------------	-------------------	--------------

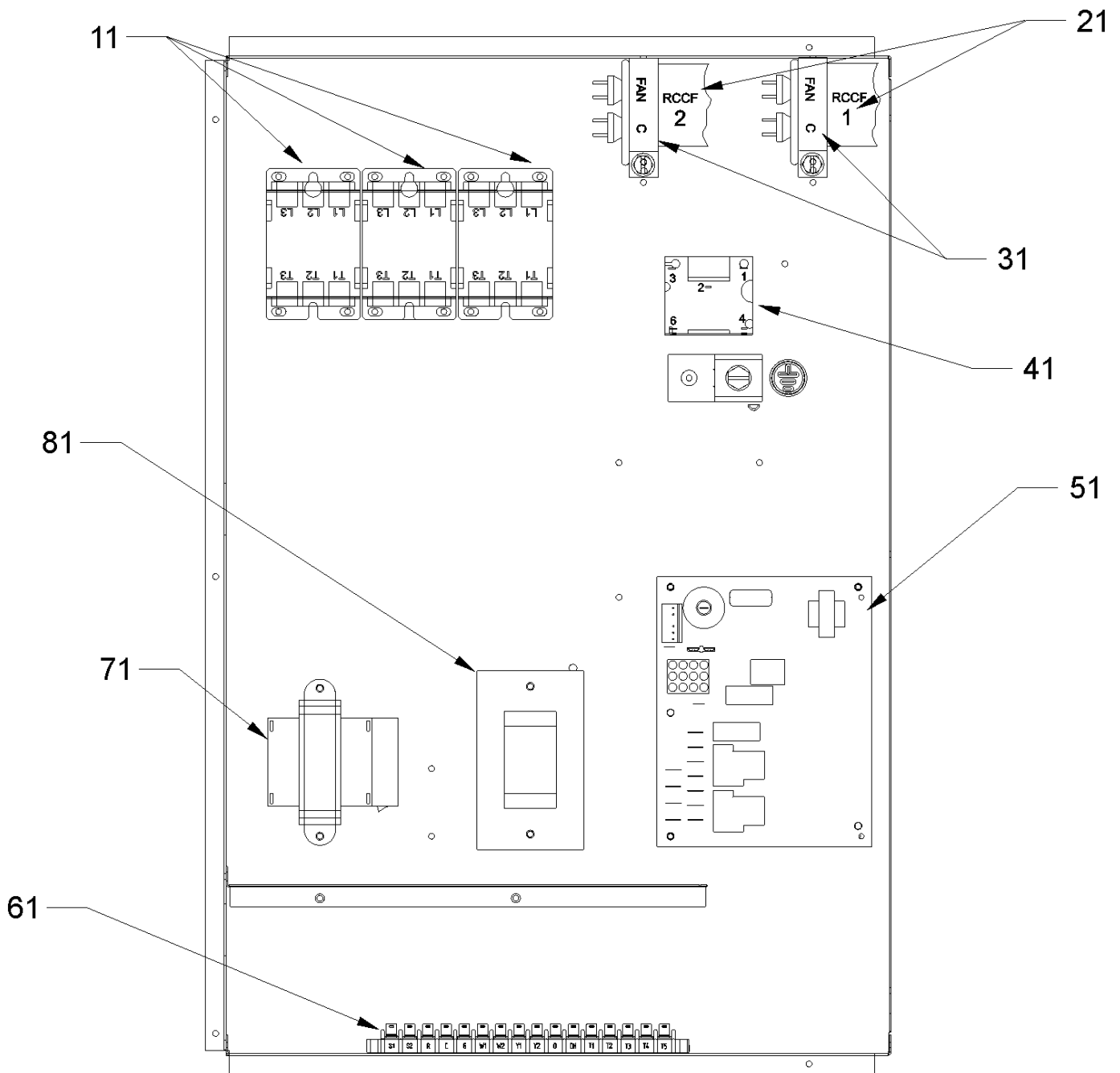
Image 1:

21	B3204303	FIXED SHEAVE AK61 (M11, M12, M13, M17, M18, M20, M21, M22)
21	0163L00011	FIXED SHEAVE AK74
31	B1398604	STEEL KEY (000158812) 2.0"
41	0164L00001	NOTCHED FAN BELT AX49 (M11, M12, M13, M17, M18, M20, M21, M22)
41	0164L00000	NOTCHED FAN BELT AX51
51	B2120014	VARIABLE PITCH SHEAVE 1VL44 X 7/8" (M11, M12, M13, M17, M18, M20, M21, M22)
51	0163L00012	VARIABLE PITCH SHEAVE VL40
61	0270L00015	MOTOR BASE ASSY
71	0163M00045	BOLT 1/4-20 X 4"
81	3225000F	BELT TIGHTENER ANGLE
91	B1446707	SCREW 5/16-18 X 1" (QTY 4)
101	B1393726	ELECT. CONNECTING BUSHING
111	B3240004	BELT DRIVE MOTOR 2 HP (M11, M12, M13, M17, M18)
111	B3240006	BELT DRIVE MOTOR 2 HP (M1, M2, M3, M4, M5, M6, M7, M8, M9, M10, M14, M15, M16)
111	0131L00005	BELT DRIVE MOTOR 2 HP 575 V (M19)
111	0131L00006	BELT DRIVE MOTOR 3 HP 575 V (M20, M21, M22)
121	B1393738	BOLT 1/4-20 X 3/4" (QTY 4)
131	03-78497	BLOWER WHEEL
141	04-11526	BLOWER SHAFT
151	04-01526	BLOWER HOUSING
NS	04-02196	BLOWER BEARING & FRAME ASSY
NS	0259L00008	MOTOR HARNESS-BELT DRIVE

Expanded Model Nomenclature

M1 - CPG1202103BAABAB
M2 - CPG1202103BABBAB
M3 - CPG1202103BHADAB
M4 - CPG1202103BHXABA
M5 - CPG1202103BHXBAB
M6 - CPG1202103BHXJBA
M7 - CPG1202103BHXNBA
M8 - CPG1202103BHXZAB
M9 - CPG1202103BJANAB
M10 - CPG1202103BXXEBA
M11 - CPG1202103HAABAB
M12 - CPG1202103HAAVAB
M13 - CPG1202103HAAXAB
M14 - CPG1202104BJANAB
M15 - CPG1202104BJXNBA
M16 - CPG1202104BXSAAAB
M17 - CPG1202104HAABAB
M18 - CPG1202104HASCAB
M19 - CPG1202107BASFAB
M20 - CPG1202107HAAXAB
M21 - CPG1202107HAJXAB
M22 - CPG1202107HAXXAB

Control Box Assembly



Control Box Assembly

Ref. Part No:	Part No:	Description:	Ref. Part No:	Part No:	Description:
---------------	----------	--------------	---------------	----------	--------------

Image 1:

11	CONT3P025024V	CONTACTOR 25 AMP, 3P, 24V (QTY 3)
21	CAP050000370VA	CAPACITOR 5/370V (QTY 2)
31	20520901	CAPACITOR STRAP (QTY 2)
41	0130M00025	24V RELAY
51	PCBAG123	IGNITION BOARD, DSI INTEGRATED
61	0130M00038	TERMINAL BOARD
71	B1141653	TRANSFORMER 480V, 75VA, RESETTABLE (M14, M15, M16, M17, M18)
71	B1141672	TRANSFORMER 480V, 75VA, RESETTABLE (M1, M2, M3, M4, M5, M6, M7, M8, M9, M10, M11, M12, M13)
71	0130M00045	TRANSFORMER 575/24V (M19, M20, M21, M22)
81	B1141663	TRANSFORMER 460V TO 230V, 150 VA (M14, M15, M16, M17, M18)
81	0130M00044	TRANSFORMER 575/230V (M19, M20, M21, M22)
NS	0259L00031	12-PIN HARNESS
NS	0259L00021	CONTROL HARNESS (M14, M15, M16, M17, M18, M19, M20, M21, M22)
NS	0259L00022	CONTROL HARNESS (M1, M2, M3, M4, M5, M6, M7, M8, M9, M10, M11, M12, M13)
NS	0259L00033	ECONOMIZER HARNESS

Expanded Model Nomenclature

- M1 - CPG1202103BAABAB
- M2 - CPG1202103BABBAB
- M3 - CPG1202103BHADAB
- M4 - CPG1202103BHXABA
- M5 - CPG1202103BHXBAB
- M6 - CPG1202103BHXJBA
- M7 - CPG1202103BHXNBA
- M8 - CPG1202103BHXZAB
- M9 - CPG1202103BJANAB
- M10 - CPG1202103BXXEBA
- M11 - CPG1202103HAABAB
- M12 - CPG1202103HAAVAB
- M13 - CPG1202103HAAXAB
- M14 - CPG1202104BJANAB
- M15 - CPG1202104BJXNBA
- M16 - CPG1202104BXSAB
- M17 - CPG1202104HAABAB
- M18 - CPG1202104HASCAB
- M19 - CPG1202107BASFAB
- M20 - CPG1202107HAAXAB
- M21 - CPG1202107HAJXAB
- M22 - CPG1202107HAXXAB

ACCESSORY PARTS LIST

Accessory Parts

Ref. Part No:	No:	Description:	Ref. Part No:	No:	Description:
Image 1:					
NS	0130M00065	CIRCUIT BREAKER, CONVENIENCE OUTLET (M1, M2, M5, M7, M9, M11, M14, M15, M17)			
NS	0270L00274	CONVENIENCE OUTLET ASSY-NP (M1, M2, M4, M5, M6, M7, M9, M11, M14, M15, M16, M17, M19)			
NS	DSC060B53N001FI	DISCONNECT MODULE ASSY (M3, M4, M6, M8)			
NS	DSC060B53Y001FI	DISCONNECT MODULE ASSY (M14, M15)			
NS	DSC100B53Y001FI	DISCONNECT MODULE ASSY (M5, M7, M9)			
NS	DNECONGS90120	ECONOMIZER DOWNFLOW GAS/AC (M1, M2, M9, M11, M12, M13, M14, M15, M17, M18, M19, M20, M21, M22)			
NS	HAILGD02FI	HAIL GUARD ASSY (M1, M2, M3, M9, M11, M12, M13, M14, M17, M20)			
NS	LAKT03	LOW AMBIENT KIT (M12, M19)			
NS	LAKT03	LOW AMBIENT KIT (M18)			
NS	SDRKT01FI75T12	SMOKE DETECTOR ASSEMBLY (M3, M7, M9, M12, M14, M15)			
NS	SDSKT01FI75T12	SMOKE DETECTOR ASSEMBLY (M10)			
NS	SDSRKT01FI75T12	SMOKE DETECTOR ASSEMBLY (M6, M8)			
NS	0130M00061	TRANSFORMER, CONVENIENCE OUTLET (M1, M2, M5, M7, M9, M11, M14, M15, M17)			

Expanded Model Nomenclature

M1 - CPG1202103BAABAB
M2 - CPG1202103BABBAB
M3 - CPG1202103BHADAB
M4 - CPG1202103BHXABA
M5 - CPG1202103BHXBAB
M6 - CPG1202103BHXJBA
M7 - CPG1202103BHXNBA
M8 - CPG1202103BHXZAB
M9 - CPG1202103BJANAB
M10 - CPG1202103BXXEBA
M11 - CPG1202103HAABAB
M12 - CPG1202103HAAVAB
M13 - CPG1202103HAAXAB
M14 - CPG1202104BJANAB
M15 - CPG1202104BJXNBA
M16 - CPG1202104BXSAAAB
M17 - CPG1202104HAABAB
M18 - CPG1202104HASCAB
M19 - CPG1202107BASFAB
M20 - CPG1202107HAAXAB
M21 - CPG1202107HAJXAB
M22 - CPG1202107HAXXAB