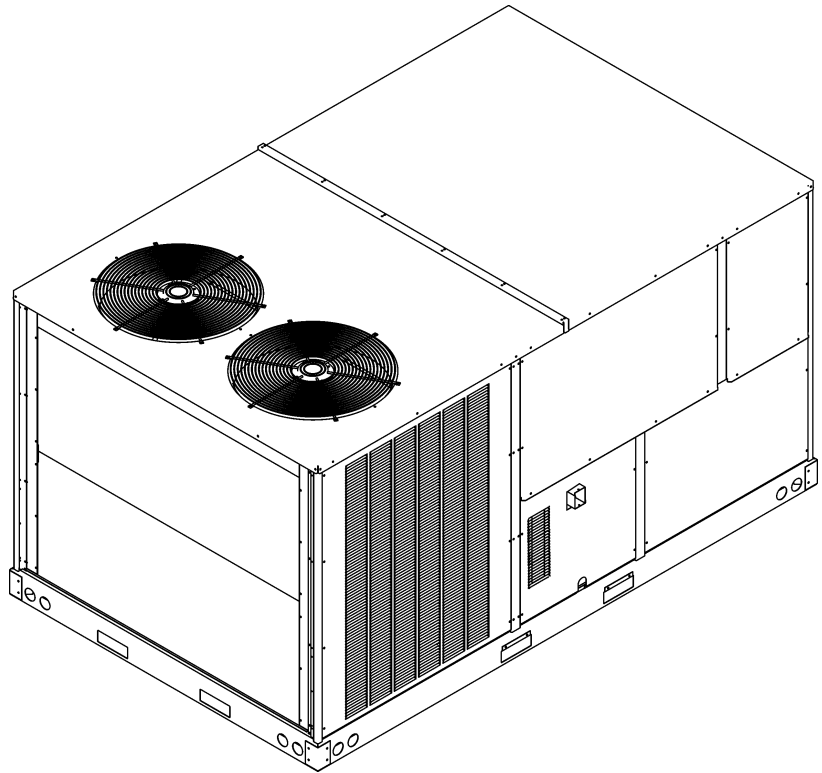


REPAIR PARTS

Light Commercial 3 Phase 7.5-12 Ton Package Gas

CPG0902103BXJXAA
CPG0902103BXXXAA
CPG0902103HXXXAA
CPG0902104BXJXAA
CPG0902104BXXXAA
CPG0902104HXXXAA
CPG1202103BXJXAA
CPG1202103BXSXAA
CPG1202103BXXXAA
CPG1202103HXXXAA
CPG1202104BXJXAA
CPG1202104BXSXAA
CPG1202104BXXXAA
CPG1202104HXXXAA
CPG1202107BXJXAA
CPG1202107BXSXAA
CPG1202107BXXXAA
CPG1502103BXSXAA
CPG1502103BXXXAA
CPG1502104BXSXAA
CPG1502104BXXXAA
CPG1502107BXSXAA
CPG1502107BXXXAA



This manual is to be used by qualified technicians only.

This manual replaces RP-477H.

© 2008-2010,2016 Goodman Manufacturing Company, L.P. ♦ 5151 San Felipe St., Suite 500 ♦ Houston, TX 77056

Important Information

Index

| | |
|------------------------------|--------|
| Functional Parts List | 3 |
| Illustration and Parts | 4 - 17 |

Views shown are for parts illustrations only, not servicing procedures

Text Codes:

AR - As Required

NA - Not Available

NS - Not Shown

00000000 - See Note

QTY - Quantity Example (QTY 3) (If Quantity not shown, Quantity = 1)

M - Model Example (M1) (If M Code not shown, then part is used on all Models)

Expanded Model Nomenclature:

| |
|---|
| Example M1 - Model#1 M2 - Model#2 M3 - Model#3 |
|---|

Goodman Manufacturing Company, L.P. is not responsible for personal injury or property damage resulting from improper service. Review all service information before beginning repairs.

Warranty service must be performed by an authorized technician, using authorized factory parts. If service is required after the warranty expires, Goodman Manufacturing Company, L.P. also recommends contacting an authorized technician and using authorized factory parts.

Goodman Manufacturing Company, L.P. reserves the right to discontinue, or change at any time, specifications or designs without notice or without incurring obligations.

For assistance within the U.S.A. contact:
Consumer Affairs Department
Goodman Manufacturing Company, L.P.
7401 Security Way
Houston, Texas 77040
877-254-4729-Telephone
713-863-2382-Facsimile

For assistance outside the U.S.A. contact:
International Division
Goodman Manufacturing Company, L.P.
7401 Security Way
Houston, Texas 77040
713-861-2500-Telephone
713-863-2382-Facsimile

Functional Parts

Part No: **Description:**

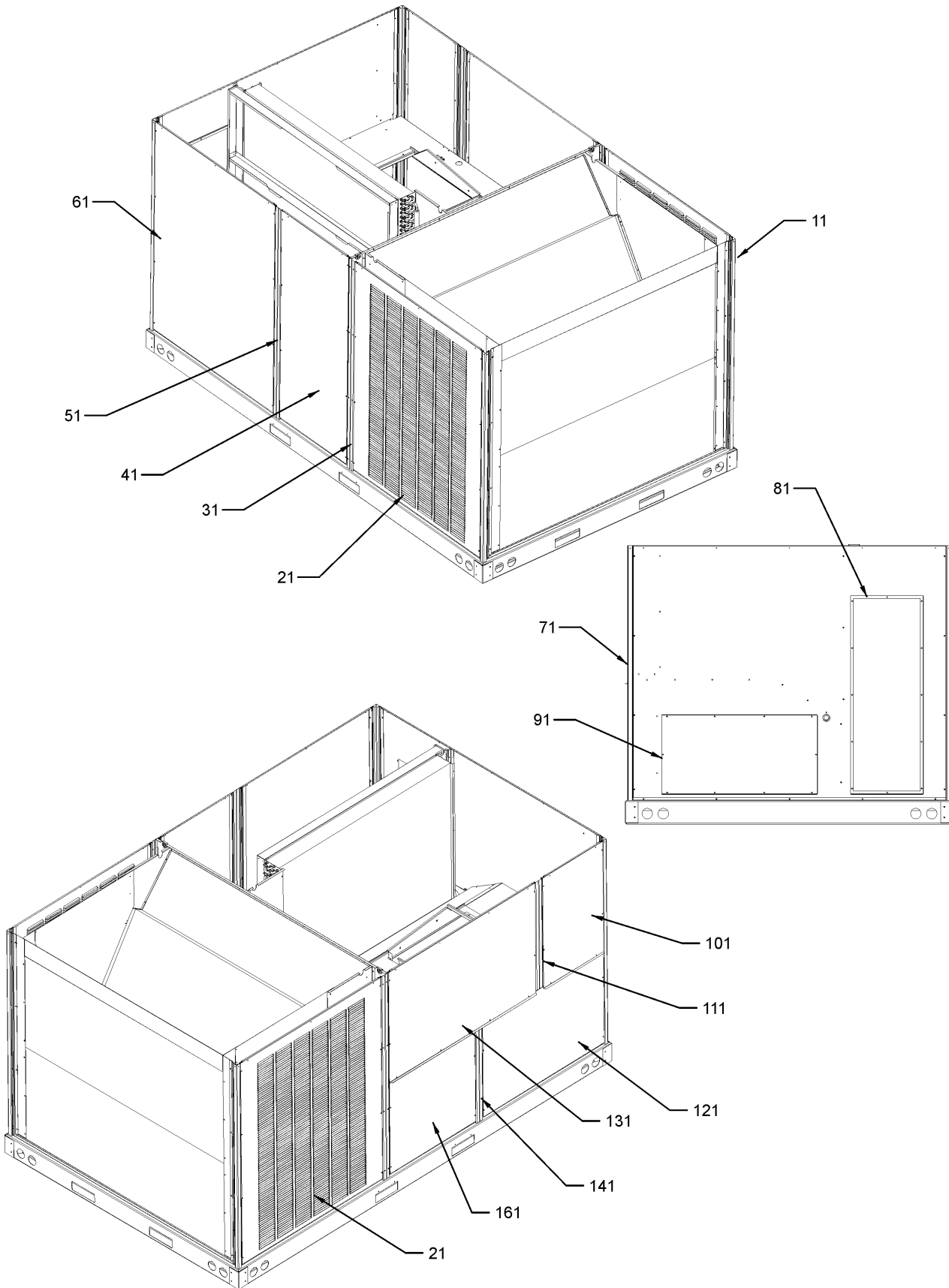
| | |
|-----------------|--|
| 0130M00025S | 24V RELAY |
| B3240007 | BELT DRIVE MOTOR 1.5 HP (M1, M2, M4, M5) |
| B3240006 | BELT DRIVE MOTOR 2 HP (M3, M6, M7, M8, M9, M11, M12, M13) |
| 0131L00005 | BELT DRIVE MOTOR 2 HP 575 V (M15, M16, M17) |
| B3240004 | BELT DRIVE MOTOR 3 HP (M10, M14, M18, M19, M20, M21) |
| 0131L00006 | BELT DRIVE MOTOR 3 HP 575 V (M22, M23) |
| CAP050000370VAS | CAPACITOR 5/370V (QTY 2) |
| ZP39K5ETF5830 | COMPRESSOR 39000, 200/230/60/3 (M1, M2, M3) |
| ZP39K5ETFD130 | COMPRESSOR 39000, 460/60/3 (M4, M5, M6) |
| ZP51K5ETF5130 | COMPRESSOR 51000, 208/230/60/3 (M7, M8, M9, M10) |
| ZP51K5ETFD830 | COMPRESSOR 51000, 460/60/3 (M11, M12, M13, M14) |
| ZP51K5ETFE830 | COMPRESSOR 51000, 575/60/3 (M15, M16, M17) |
| ZP67KCETFD830 | COMPRESSOR 67000, 460/60/3 (M20, M21) |
| ZP67KCETF5830 | COMPRESSOR 67500, 200/230/60/3 (M18, M19) |
| ZP67KCETFE830 | COMPRESSOR 67500, 575/60/3 (M22, M23) |
| 0131M00008PS | COND MOTOR 1/3 HP, 1 SP, 6 PL (M7, M8, M9, M10, M18, M19) |
| B13400249 | COND MOTOR 1/3 HP, 460V (M11, M12, M13, M14, M20, M21) |
| 0131M00179S | COND MOTOR 1/3 HP, 6 PL, 575V (M15, M16, M17, M22, M23) |
| 0131M00007PS | COND MOTOR 1/4 HP, 1 SP, 6 PL (M1, M2, M3) |
| B13400269 | COND MOTOR 380/460 50/60 CYCLE (M4, M5, M6) |
| CONT3P025024V | CONTACTOR 25 AMP, 3P, 24V (M1, M2, M3, M4, M5, M6, M7, M8, M9, M10, M11, M12, M13, M14, M15, M16, M17, M20, M21, M22, M23) |
| CONT3P030024VS | CONTACTOR 30 AMP, 3P, 24V (M18, M19) |
| 0151L00000 | GAS VALVE (36H) |
| PCBAG123 | IGNITION BOARD, DSI INTEGRATED |
| 10123532 | MANUAL RESET LIMIT 350°F |
| 11112501 | PRESSURE SWITCH |
| 0130F00036 | PRIMARY LIMIT - PINK (M18, M19, M20, M21, M22, M23) |
| B1370187 | PRIMARY LIMIT SWITCH 160°F (M18, M19, M20, M21, M22, M23) |
| B1370199 | PRIMARY LIMIT SWITCH 190°F (M1, M2, M3, M4, M5, M6, M7, M8, M9, M10, M11, M12, M13, M14, M15, M16, M17) |
| 20162904 | PRIMARY LIMIT-TEMPERATURE CONTROL (M1, M2, M3, M4, M5, M6, M7, M8, M9, M10, M11, M12, M13, M14, M15, M16, M17) |
| B1141663 | TRANSFORMER 460V TO 230V, 150 VA (M4, M5, M6, M11, M12, M13, M14, M20, M21) |
| B1141672 | TRANSFORMER 480V, 75VA, RESETTABLE (M1, M2, M3, M4, M5, M6, M7, M8, M9, M10, M11, M12, M13, M14, M18, M19, M20, M21) |
| 0130M00044S | TRANSFORMER 575/230V (M15, M16, M17, M22, M23) |
| 0130M00045S | TRANSFORMER 575/24V (M15, M16, M17, M22, M23) |
| 0131L00002 | VENT MOTOR |

Expanded Model Nomenclature

| |
|------------------------|
| M1 - CPG0902103BXJXAA |
| M2 - CPG0902103BXXXAA |
| M3 - CPG0902103HXXXAA |
| M4 - CPG0902104BXJXAA |
| M5 - CPG0902104BXXXAA |
| M6 - CPG0902104HXXXAA |
| M7 - CPG1202103BXJXAA |
| M8 - CPG1202103BXSXAA |
| M9 - CPG1202103BXXXAA |
| M10 - CPG1202103HXXXAA |
| M11 - CPG1202104BXJXAA |
| M12 - CPG1202104BXSXAA |
| M13 - CPG1202104BXXXAA |
| M14 - CPG1202104HXXXAA |
| M15 - CPG1202107BXJXAA |
| M16 - CPG1202107BXSXAA |
| M17 - CPG1202107BXXXAA |
| M18 - CPG1502103BXSXAA |
| M19 - CPG1502103BXXXAA |
| M20 - CPG1502104BXSXAA |
| M21 - CPG1502104BXXXAA |
| M22 - CPG1502107BXSXAA |
| M23 - CPG1502107BXXXAA |

HI-122A HOMEOWNER-INSTRUCTIONS
 IO-337J INSTALLATION INSTRUCTIONS

Cabinet Assembly



Cabinet Assembly

| Ref. Part No: No: | Description: | Ref. Part No: No: | Description: | | | | | | | | | | | | | | | | | | | | | | | |
|------------------------|---|---|--|-----------------------|----------------------|-----------------------|-----------------------|----------------------|-----------------------|-----------------------|-----------------------|----------------------|------------------------|------------------------|------------------------|-----------------------|------------------------|------------------------|------------------------|-----------------------|------------------------|-----------------------|------------------------|-----------------------|------------------------|-----------------------|
| Image 1: | | Image 1: | | | | | | | | | | | | | | | | | | | | | | | | |
| 11 | 0121L00065RFDG CORNER POST (M1, M2, M3, M4, M5, M6, M7, M8, M9, M10, M11, M12, M13, M14, M15, M16, M17) | 141 | 0121L00068RFDG POST-BURNER DOOR | | | | | | | | | | | | | | | | | | | | | | | |
| 11 | 0121L00487RFDG CORNER POST (M18, M19, M20, M21, M22, M23) | 161 | 0121G00317DG BURNER DOOR (M1, M2, M3, M4, M5, M6, M7, M8, M9, M10, M11, M12, M13, M14) | | | | | | | | | | | | | | | | | | | | | | | |
| 21 | 0121L00115DG LOUVERED SIDE PANEL (M1, M2, M3, M4, M5, M6, M7, M8, M9, M10, M11, M12, M13, M14) | 161 | 0121L00405DG BURNER DOOR (M15, M16, M17, M18, M19, M20, M21, M22, M23) | | | | | | | | | | | | | | | | | | | | | | | |
| 21 | 0121L00386DG LOUVERED SIDE PANEL (M18, M19, M20, M21, M22, M23) | NS | 0121L00129S DOOR RAIN SHIELD | | | | | | | | | | | | | | | | | | | | | | | |
| 21 | 0121L00511DG LOUVERED SIDE PANEL (M15, M16, M17) | Expanded Model Nomenclature | | | | | | | | | | | | | | | | | | | | | | | | |
| 31 | 0121L00066RFDG POST-SIDE SUPPORT (M1, M2, M3, M4, M5, M6, M7, M8, M9, M10, M11, M12, M13, M14, M15, M16, M17) | <table border="1"> <tr><td>M1 - CPG0902103BXJXAA</td></tr> <tr><td>M2 - CPG0902103BXXAA</td></tr> <tr><td>M3 - CPG0902103HXXXAA</td></tr> <tr><td>M4 - CPG0902104BXJXAA</td></tr> <tr><td>M5 - CPG0902104BXXAA</td></tr> <tr><td>M6 - CPG0902104HXXXAA</td></tr> <tr><td>M7 - CPG1202103BXJXAA</td></tr> <tr><td>M8 - CPG1202103BXSXAA</td></tr> <tr><td>M9 - CPG1202103BXXAA</td></tr> <tr><td>M10 - CPG1202103HXXXAA</td></tr> <tr><td>M11 - CPG1202104BXJXAA</td></tr> <tr><td>M12 - CPG1202104BXSXAA</td></tr> <tr><td>M13 - CPG1202104BXXAA</td></tr> <tr><td>M14 - CPG1202104HXXXAA</td></tr> <tr><td>M15 - CPG1202107BXJXAA</td></tr> <tr><td>M16 - CPG1202107BXSXAA</td></tr> <tr><td>M17 - CPG1202107BXXAA</td></tr> <tr><td>M18 - CPG1502103BXSXAA</td></tr> <tr><td>M19 - CPG1502103BXXAA</td></tr> <tr><td>M20 - CPG1502104BXSXAA</td></tr> <tr><td>M21 - CPG1502104BXXAA</td></tr> <tr><td>M22 - CPG1502107BXSXAA</td></tr> <tr><td>M23 - CPG1502107BXXAA</td></tr> </table> | | M1 - CPG0902103BXJXAA | M2 - CPG0902103BXXAA | M3 - CPG0902103HXXXAA | M4 - CPG0902104BXJXAA | M5 - CPG0902104BXXAA | M6 - CPG0902104HXXXAA | M7 - CPG1202103BXJXAA | M8 - CPG1202103BXSXAA | M9 - CPG1202103BXXAA | M10 - CPG1202103HXXXAA | M11 - CPG1202104BXJXAA | M12 - CPG1202104BXSXAA | M13 - CPG1202104BXXAA | M14 - CPG1202104HXXXAA | M15 - CPG1202107BXJXAA | M16 - CPG1202107BXSXAA | M17 - CPG1202107BXXAA | M18 - CPG1502103BXSXAA | M19 - CPG1502103BXXAA | M20 - CPG1502104BXSXAA | M21 - CPG1502104BXXAA | M22 - CPG1502107BXSXAA | M23 - CPG1502107BXXAA |
| M1 - CPG0902103BXJXAA | | | | | | | | | | | | | | | | | | | | | | | | | | |
| M2 - CPG0902103BXXAA | | | | | | | | | | | | | | | | | | | | | | | | | | |
| M3 - CPG0902103HXXXAA | | | | | | | | | | | | | | | | | | | | | | | | | | |
| M4 - CPG0902104BXJXAA | | | | | | | | | | | | | | | | | | | | | | | | | | |
| M5 - CPG0902104BXXAA | | | | | | | | | | | | | | | | | | | | | | | | | | |
| M6 - CPG0902104HXXXAA | | | | | | | | | | | | | | | | | | | | | | | | | | |
| M7 - CPG1202103BXJXAA | | | | | | | | | | | | | | | | | | | | | | | | | | |
| M8 - CPG1202103BXSXAA | | | | | | | | | | | | | | | | | | | | | | | | | | |
| M9 - CPG1202103BXXAA | | | | | | | | | | | | | | | | | | | | | | | | | | |
| M10 - CPG1202103HXXXAA | | | | | | | | | | | | | | | | | | | | | | | | | | |
| M11 - CPG1202104BXJXAA | | | | | | | | | | | | | | | | | | | | | | | | | | |
| M12 - CPG1202104BXSXAA | | | | | | | | | | | | | | | | | | | | | | | | | | |
| M13 - CPG1202104BXXAA | | | | | | | | | | | | | | | | | | | | | | | | | | |
| M14 - CPG1202104HXXXAA | | | | | | | | | | | | | | | | | | | | | | | | | | |
| M15 - CPG1202107BXJXAA | | | | | | | | | | | | | | | | | | | | | | | | | | |
| M16 - CPG1202107BXSXAA | | | | | | | | | | | | | | | | | | | | | | | | | | |
| M17 - CPG1202107BXXAA | | | | | | | | | | | | | | | | | | | | | | | | | | |
| M18 - CPG1502103BXSXAA | | | | | | | | | | | | | | | | | | | | | | | | | | |
| M19 - CPG1502103BXXAA | | | | | | | | | | | | | | | | | | | | | | | | | | |
| M20 - CPG1502104BXSXAA | | | | | | | | | | | | | | | | | | | | | | | | | | |
| M21 - CPG1502104BXXAA | | | | | | | | | | | | | | | | | | | | | | | | | | |
| M22 - CPG1502107BXSXAA | | | | | | | | | | | | | | | | | | | | | | | | | | |
| M23 - CPG1502107BXXAA | | | | | | | | | | | | | | | | | | | | | | | | | | |
| 31 | 0121L00488RFDG POST-SIDE SUPPORT (M18, M19, M20, M21, M22, M23) | | | | | | | | | | | | | | | | | | | | | | | | | |
| 41 | 0270L00038S INSULATED ASSY, FILTER DOOR (M1, M2, M3, M4, M5, M6, M7, M8, M9, M10, M11, M12, M13, M14) | | | | | | | | | | | | | | | | | | | | | | | | | |
| 41 | 0270L00168 INSULATED ASSY, FILTER DOOR (M18, M19, M20, M21, M22, M23) | | | | | | | | | | | | | | | | | | | | | | | | | |
| 41 | 0270L00176 INSULATED ASSY, FILTER DOOR (M15, M16, M17) | | | | | | | | | | | | | | | | | | | | | | | | | |
| 51 | 0121L00116RFDG SIDE POST-FILTER DOOR (M1, M2, M3, M4, M5, M6, M7, M8, M9, M10, M11, M12, M13, M14, M15, M16, M17) | | | | | | | | | | | | | | | | | | | | | | | | | |
| 51 | 0121L00382RFDG SIDE POST-FILTER DOOR (M18, M19, M20, M21, M22, M23) | | | | | | | | | | | | | | | | | | | | | | | | | |
| 61 | 0270L00037S INSULATED ASSY, ECONOMIZER DOOR (M1, M2, M3, M4, M5, M6, M7, M8, M9, M10, M11, M12, M13, M14) | | | | | | | | | | | | | | | | | | | | | | | | | |
| 61 | 0270L00167 INSULATED ASSY, ECONOMIZER DOOR (M18, M19, M20, M21, M22, M23) | | | | | | | | | | | | | | | | | | | | | | | | | |
| 61 | 0270L00175 INSULATED ASSY, ECONOMIZER DOOR (M15, M16, M17) | | | | | | | | | | | | | | | | | | | | | | | | | |
| 71 | 0270L00035S INSULATED ASSY, DUCT PANEL (M1, M2, M3, M4, M5, M6, M7, M8, M9, M10, M11, M12, M13, M14) | | | | | | | | | | | | | | | | | | | | | | | | | |
| 71 | 0270L00164 INSULATED ASSY, DUCT PANEL (M18, M19, M20, M21, M22, M23) | | | | | | | | | | | | | | | | | | | | | | | | | |
| 71 | 0270L00180 INSULATED ASSY, DUCT PANEL (M15, M16, M17) | | | | | | | | | | | | | | | | | | | | | | | | | |
| 81 | 0270L00041S INSULATED ASSY, SUPPLY DUCT | | | | | | | | | | | | | | | | | | | | | | | | | |
| 91 | 0270L00040S INSULATED ASSY, RETURN DUCT | | | | | | | | | | | | | | | | | | | | | | | | | |
| 101 | 0121G00315DG CONTROL DOOR (M1, M2, M3, M4, M5, M6, M7, M8, M9, M10, M11, M12, M13, M14, M15, M16, M17) | | | | | | | | | | | | | | | | | | | | | | | | | |
| 101 | 0270L00170 CONTROL DOOR (M18, M19, M20, M21, M22, M23) | | | | | | | | | | | | | | | | | | | | | | | | | |
| 111 | 0121L00067RFDG POST-CONTROL DOOR (M1, M2, M3, M4, M5, M6, M7, M8, M9, M10, M11, M12, M13, M14, M15, M16, M17) | | | | | | | | | | | | | | | | | | | | | | | | | |
| 111 | 0121L00491RFDG POST-CONTROL DOOR (M18, M19, M20, M21, M22, M23) | | | | | | | | | | | | | | | | | | | | | | | | | |
| 121 | 0270L00039S INSULATED ASSY, HEAT EXCHANGER DOOR (M1, M2, M3, M4, M5, M6, M7, M8, M9, M10, M11, M12, M13, M14) | | | | | | | | | | | | | | | | | | | | | | | | | |
| 121 | 0270L00169 INSULATED ASSY, HEAT EXCHANGER DOOR (M15, M16, M17, M18, M19, M20, M21, M22, M23) | | | | | | | | | | | | | | | | | | | | | | | | | |
| 131 | 0270L00036S INSULATED ASSY, BLOWER DOOR (M1, M2, M3, M4, M5, M6, M7, M8, M9, M10, M11, M12, M13, M14) | | | | | | | | | | | | | | | | | | | | | | | | | |
| 131 | 0270L00166 INSULATED ASSY, BLOWER DOOR (M18, M19, M20, M21, M22, M23) | | | | | | | | | | | | | | | | | | | | | | | | | |
| 131 | 0270L00174 INSULATED ASSY, BLOWER DOOR (M15, M16, M17) | | | | | | | | | | | | | | | | | | | | | | | | | |

Top Panel / Tubing Assembly

Image 1

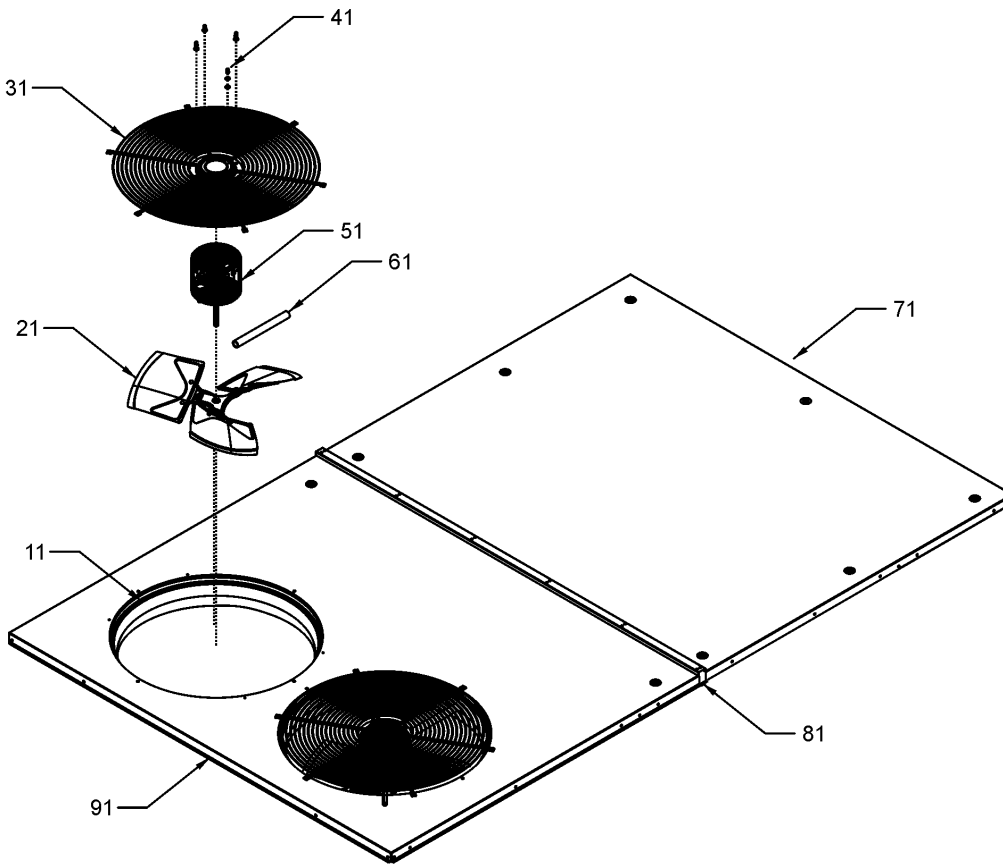
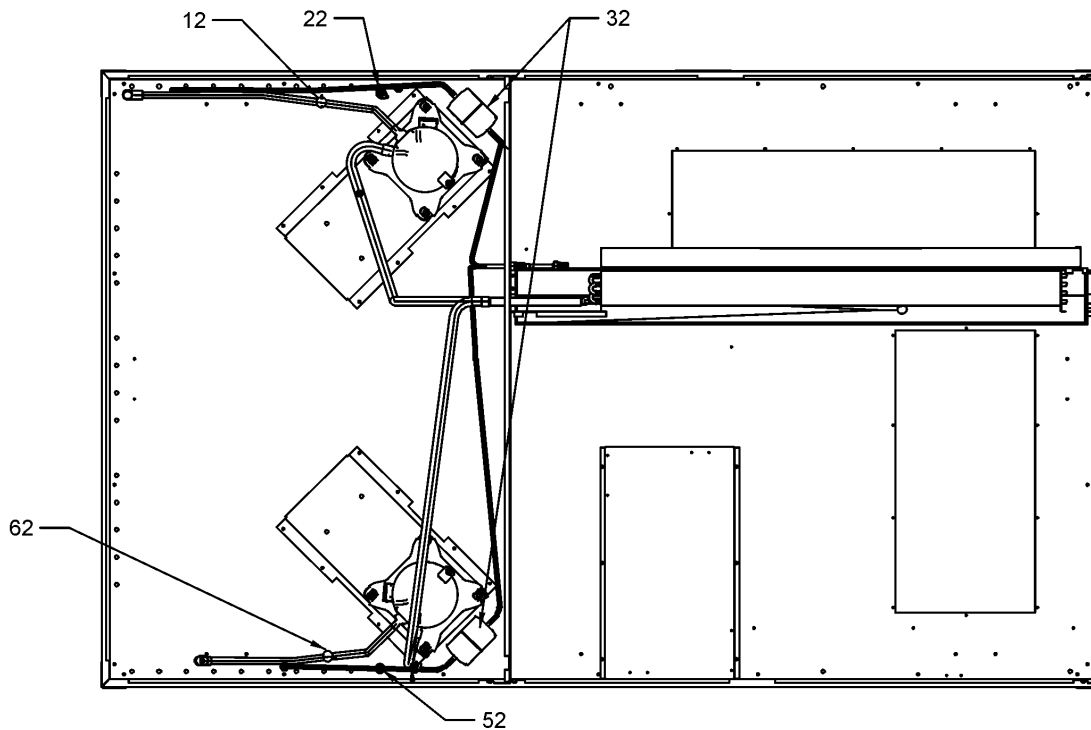


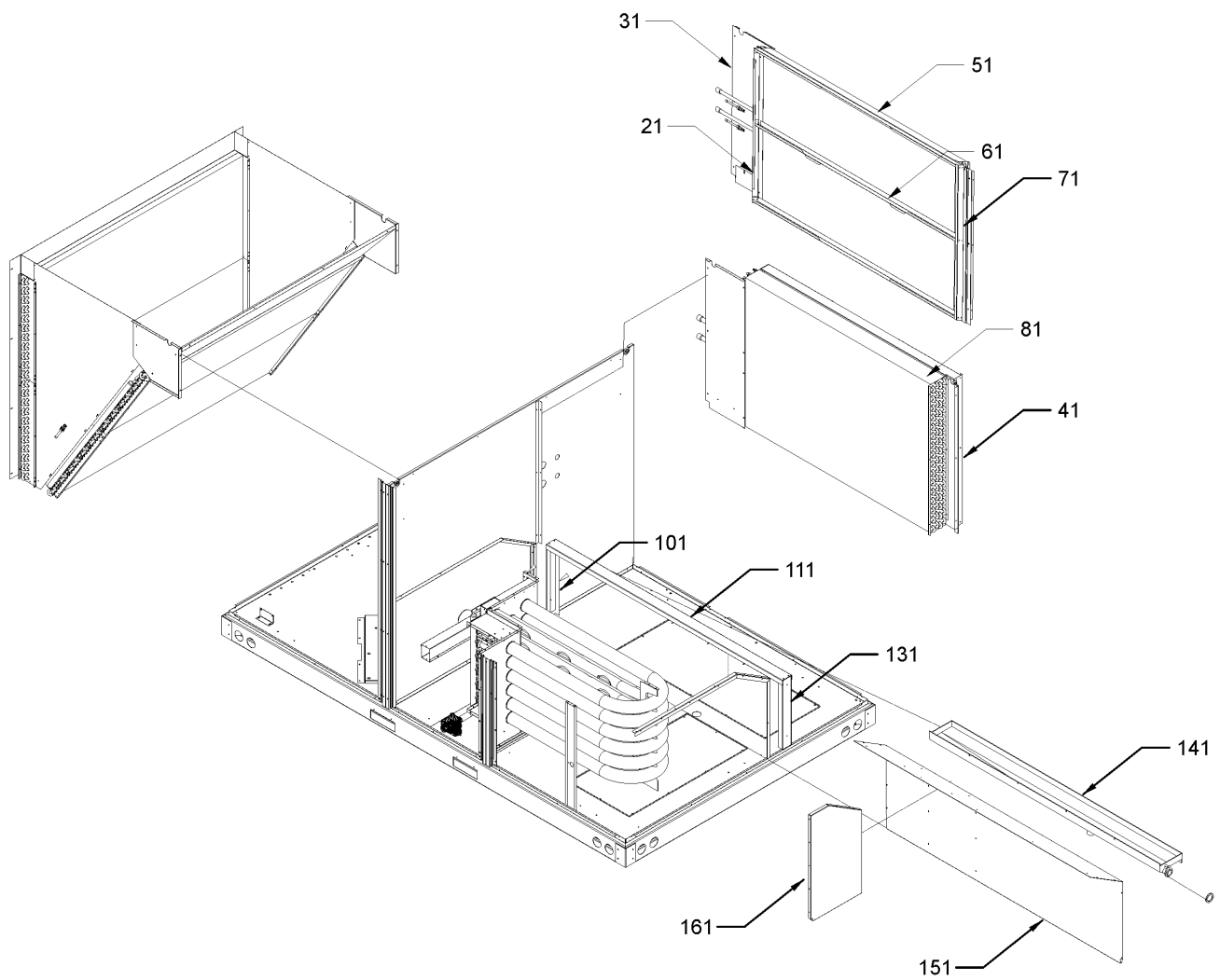
Image 2



Top Panel / Tubing Assembly

| Ref. Part No: No: | Description: | Ref. Part No: No: | Description: | | |
|-------------------|--|---|---|--|--|
| Image 1: | | Image 2: | | | |
| 11 | 0161L00000 VENTURI RING 22" (QTY 2) | 62 | 0130M00030S HIGH PRESSURE SWITCH, C2 (M1, M2, M3, M4, M5, M6, M7, M8, M9, M10, M11, M12, M13, M14, M15, M16, M17) | | |
| 21 | 0150G00001 FAN BLADE (M1, M2, M3, M4, M5, M6) | NS | B1373315 ACCESS FITTING (QTY 4) | | |
| 21 | 10625733 FAN BLADE 22" ALUM CCW (M7, M8, M9, M10, M11, M12, M13, M14, M15, M16, M17, M18, M19, M20, M21, M22, M23) | NS | B9102097 CAP W/O-RING (QTY 4) | | |
| 31 | 0152G00003 FAN GRILLE (QTY 2) | Expanded Model Nomenclature | | | |
| 41 | 0163M00006P ACORN NUT 5/16 HEX BLACK (QTY 8) | <div style="border: 1px solid black; padding: 5px;"> M1 - CPG0902103BXJXAA M2 - CPG0902103BXXXAA M3 - CPG0902103HXXXAA M4 - CPG0902104BXJXAA M5 - CPG0902104BXXXAA M6 - CPG0902104HXXXAA M7 - CPG1202103BXJXAA M8 - CPG1202103BXSXAA M9 - CPG1202103BXXXAA M10 - CPG1202103HXXXAA M11 - CPG1202104BXJXAA M12 - CPG1202104BXSXAA M13 - CPG1202104BXXXAA M14 - CPG1202104HXXXAA M15 - CPG1202107BXJXAA M16 - CPG1202107BXSXAA M17 - CPG1202107BXXXAA M18 - CPG1502103BXSXAA M19 - CPG1502103BXXXAA M20 - CPG1502104BXSXAA M21 - CPG1502104BXXXAA M22 - CPG1502107BXSXAA M23 - CPG1502107BXXXAA </div> | | | |
| 51 | 0131M00008PS COND MOTOR 1/3 HP, 1 SP, 6 PL (M7, M8, M9, M10, M18, M19) | | | | |
| 51 | B13400249 COND MOTOR 1/3 HP, 460V (M11, M12, M13, M14, M20, M21) | | | | |
| 51 | 0131M00179S COND MOTOR 1/3 HP, 6 PL, 575V (M15, M16, M17, M22, M23) | | | | |
| 51 | 0131M00007PS COND MOTOR 1/4 HP, 1 SP, 6 PL (M1, M2, M3) | | | | |
| 51 | B13400269 COND MOTOR 380/460 50/60 CYCLE (M4, M5, M6) | | | | |
| 61 | 17788000083F PVC CONDUIT 8.25" (QTY 2) | | | | |
| 71 | 0121L00113DGS EVAP TOP PANEL (M1, M2, M3, M4, M5, M6, M7, M8, M9, M10, M11, M12, M13, M14, M18, M19, M20, M21, M22, M23) | | | | |
| 71 | 0121L00497DG EVAP TOP PANEL (M15, M16, M17) | | | | |
| 81 | 0121L00114DG SPLICE (M1, M2, M3, M4, M5, M6, M7, M8, M9, M10, M11, M12, M13, M14, M18, M19, M20, M21, M22, M23) | | | | |
| 91 | 0121G00312DGS COND TOP PANEL | | | | |
| NS | 0259L00096 COND MOTOR HARNESS (M18, M19, M22, M23) | | | | |
| NS | 0259L00097 COND MOTOR HARNESS (M20, M21) | | | | |
| NS | 0259L00025 COND MOTOR HARNESS 230V (M1, M2, M3, M7, M8, M9, M10, M15, M16, M17) | | | | |
| NS | 0259L00027 COND MOTOR HARNESS 230V (M1, M2, M3, M7, M8, M9, M10, M15, M16, M17, M18, M19, M22, M23) | | | | |
| NS | 0259L00026 COND MOTOR HARNESS 460V (M4, M5, M6, M11, M12, M13, M14) | | | | |
| NS | 0259L00028 COND MOTOR HARNESS 460V (M4, M5, M6, M11, M12, M13, M14, M20, M21) | | | | |
| Image 2: | | | | | |
| 12 | 0130M00074 CUT-OUT SWITCH, HIGH PRESSURE (M18, M19, M20, M21, M22, M23) | | | | |
| 12 | 0130M00031S HIGH PRESSURE SWITCH, C1 (M1, M2, M3, M4, M5, M6, M7, M8, M9, M10, M11, M12, M13, M14, M15, M16, M17) | | | | |
| 22 | 0130M00075 CUT-OUT SWITCH, LOW PRESSURE (M18, M19, M20, M21, M22, M23) | | | | |
| 22 | 0130L00003S LOW PRESSURE SWITCH, C1 (M1, M2, M3, M4, M5, M6, M7, M8, M9, M10, M11, M12, M13, M14, M15, M16, M17) | | | | |
| 32 | 0151M00012 BI-FLOW FILTER DRIER (M18, M19, M20, M21, M22, M23) | | | | |
| 32 | B1219204 BI-FLOW FILTER DRIER (M1, M2, M3, M4, M5, M6, M7, M8, M9, M10, M11, M12, M13, M14, M15, M16, M17) | | | | |
| 52 | 0130L00002 CUT-OUT SWITCH, LOW PRESSURE (M1, M2, M3, M4, M5, M6, M7, M8, M9, M10, M11, M12, M13, M14, M15, M16, M17) | | | | |
| 52 | 0130M00075 CUT-OUT SWITCH, LOW PRESSURE (M18, M19, M20, M21, M22, M23) | | | | |
| 62 | 0130M00074 CUT-OUT SWITCH, HIGH PRESSURE (M18, M19, M20, M21, M22, M23) | | | | |

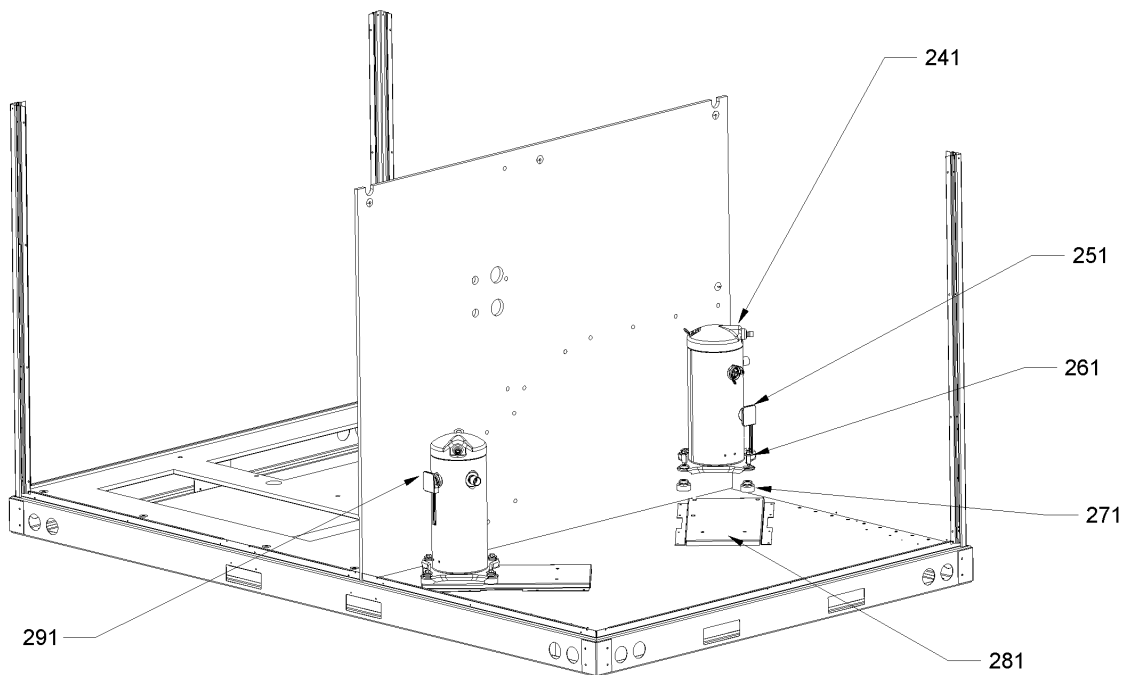
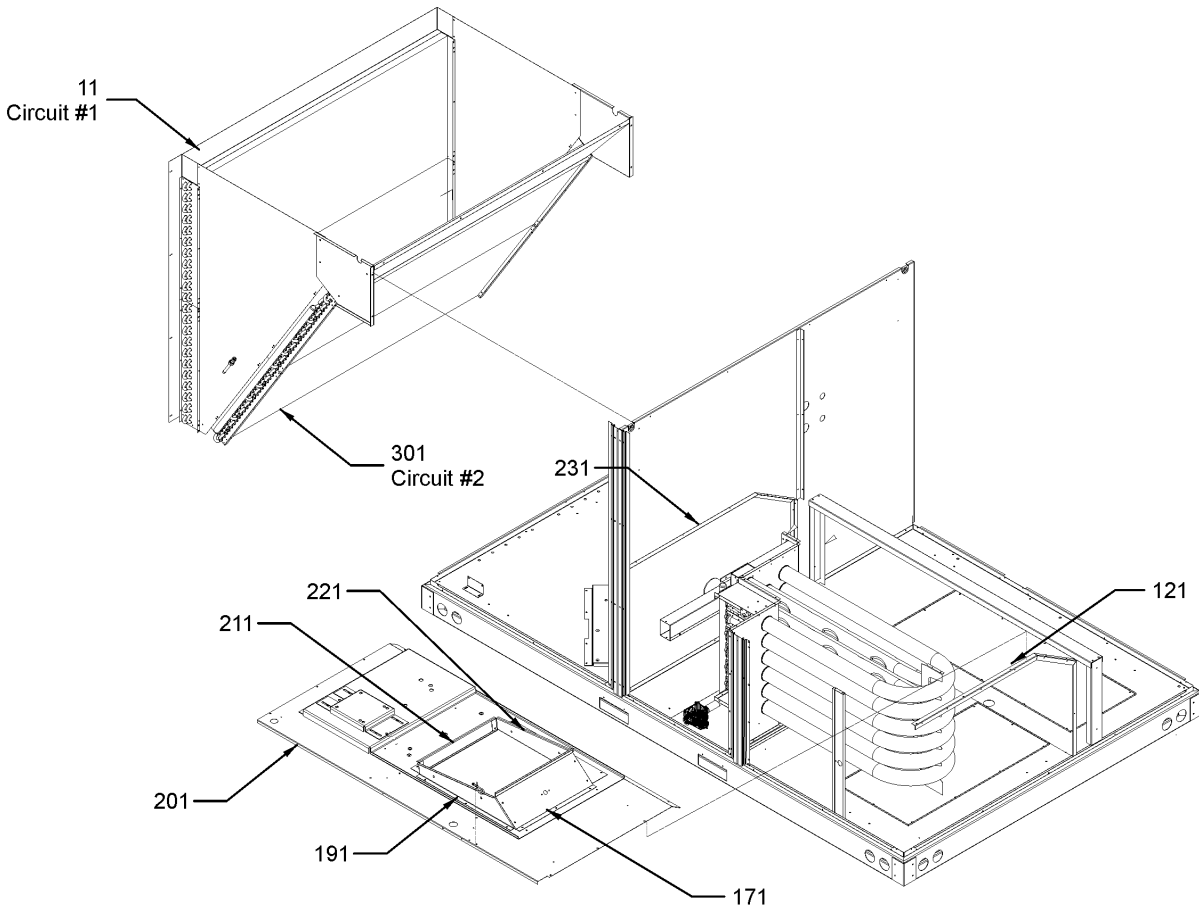
Evaporator / Partition Assembly



Evaporator / Partition Assembly

| Ref. Part No: | Description: | Ref. Part No: | Description: |
|-----------------|--|------------------------------------|---|
| Image 1: | | Image 1: | |
| 21 0121L00226 | FILTER ANGLE-VERTICAL (RETURN SIDE) (M1, M2, M3, M4, M5, M6, M7, M8, M9, M10, M11, M12, M13, M14) | 161 0121L00522 | HEAT EXCHANGER BLOCK-OFF (M15, M16, M17, M18, M19, M20, M21, M22, M23) |
| 21 0121L00650 | FILTER ANGLE-VERTICAL (RETURN SIDE) (M15, M16, M17) | NS 0160L00021 | AIR FILTER (M1, M2, M3, M4, M5, M6, M7, M8, M9, M10, M11, M12, M13, M14, M15, M16, M17) |
| 21 0270L00163 | FILTER ANGLE-VERTICAL (RETURN SIDE) (M18, M19, M20, M21, M22, M23) | NS B1369611 | AIR FILTER 20 X 25 X 2 (M18, M19, M20, M21, M22, M23) |
| 31 0121L00517 | BLOCKOFF-EVAPORATOR, RET END (M18, M19, M20, M21, M22, M23) | NS 0162L00003S | FLOWRATOR [EVAP] (M1, M2, M3, M4, M5, M6) |
| 31 0121L00209 | EVAP EXTENSION-HAIRPIN SIDE (M1, M2, M3, M4, M5, M6, M7, M8, M9, M10, M11, M12, M13, M14, M15, M16, M17) | NS 0162L00004S | FLOWRATOR [EVAP] (M15, M16, M17) |
| 41 0121L00518 | BLOCKOFF-EVAPORATOR, HPIN END (M18, M19, M20, M21, M22, M23) | NS 0162L00011S | FLOWRATOR [EVAP] (M7, M8, M9, M10, M11, M12, M13, M14) |
| 41 0121L00210 | EVAP EXTENSION-RETURN SIDE (M1, M2, M3, M4, M5, M6, M7, M8, M9, M10, M11, M12, M13, M14, M15, M16, M17) | NS 0162M00129 | FLOWRATOR [EVAP] (M18, M19, M20, M21, M22, M23) |
| 51 0121L00649 | FILTER ANGLE - HORIZONTAL (M15, M16, M17) | Expanded Model Nomenclature | |
| 51 0121L00223 | FILTER ANGLE-HORIZONTAL (M1, M2, M3, M4, M5, M6, M7, M8, M9, M10, M11, M12, M13, M14) | M1 - CPG0902103BXJXAA | |
| 51 0121L00399 | FILTER ANGLE-HORIZONTAL (M18, M19, M20, M21, M22, M23) | M2 - CPG0902103BXXXAA | |
| 61 0121L00648 | FILTER ANGLE - HORIZONTAL (CENTER) (M15, M16, M17) | M3 - CPG0902103HXXXAA | |
| 61 0270L00161 | FILTER ANGLE-HORIZONTAL (CENTER) (M18, M19, M20, M21, M22, M23) | M4 - CPG0902104BXJXAA | |
| 61 0121L00224 | FILTER RACK STRAP (M1, M2, M3, M4, M5, M6, M7, M8, M9, M10, M11, M12, M13, M14) | M5 - CPG0902104BXXXAA | |
| 71 0121L00227 | FILTER ANGLE-VERTICAL (HAIRPIN SIDE) (M1, M2, M3, M4, M5, M6, M7, M8, M9, M10, M11, M12, M13, M14) | M6 - CPG0902104HXXXAA | |
| 71 0121L00358 | FILTER ANGLE-VERTICAL (HAIRPIN SIDE) (M15, M16, M17) | M7 - CPG1202103BXJXAA | |
| 71 0270L00185 | FILTER ANGLE-VERTICAL (HAIRPIN SIDE) (M18, M19, M20, M21, M22, M23) | M8 - CPG1202103BXSXAA | |
| 81 0202L00059 | EVAPORATOR ASSY (M15, M16, M17) | M9 - CPG1202103BXXXAA | |
| 81 0202L00004S | TUBING ASSY, EVAP COIL (M1, M2, M3, M4, M5, M6) | M10 - CPG1202103HXXXAA | |
| 81 0202L00007S | TUBING ASSY, EVAP COIL (M7, M8, M9, M10, M11, M12, M13, M14) | M11 - CPG1202104BXJXAA | |
| 81 0202L00044 | TUBING ASSY, EVAP COIL (M18, M19, M20, M21, M22, M23) | M12 - CPG1202104BXSXAA | |
| 101 0121L00089 | SUPPORT LEG-DRAIN PAN (M1, M2, M3, M4, M5, M6, M7, M8, M9, M10, M11, M12, M13, M14) | M13 - CPG1202104BXXXAA | |
| 111 0121L00086 | DRAIN PAN SUPPORT (M1, M2, M3, M4, M5, M6, M7, M8, M9, M10, M11, M12, M13, M14) | M14 - CPG1202104HXXXAA | |
| 111 0121L00372 | DRAIN PAN SUPPORT (M18, M19, M20, M21, M22, M23) | M15 - CPG1202107BXJXAA | |
| 111 0121L00508 | DRAIN PAN SUPPORT (M15, M16, M17) | M16 - CPG1202107BXSXAA | |
| 131 0121L00087 | SUPPORT LEG-DRAIN PAN (M1, M2, M3, M4, M5, M6, M7, M8, M9, M10, M11, M12, M13, M14) | M17 - CPG1202107BXXXAA | |
| 141 0161L00002 | DRAIN PAN | M18 - CPG1502103BXSXAA | |
| 151 0121L00105 | DECK SIDE CHANNEL (M1, M2, M3, M4, M5, M6, M7, M8, M9, M10, M11, M12, M13, M14) | M19 - CPG1502103BXXXAA | |
| 151 0121L00374 | DECK SIDE CHANNEL (M15, M16, M17, M18, M19, M20, M21, M22, M23) | M20 - CPG1502104BXSXAA | |
| 161 0121L00112 | HEAT EXCHANGER BLOCK-OFF (M1, M2, M3, M4, M5, M6, M7, M8, M9, M10, M11, M12, M13, M14) | M21 - CPG1502104BXXXAA | |
| | | M22 - CPG1502107BXSXAA | |
| | | M23 - CPG1502107BXXXAA | |

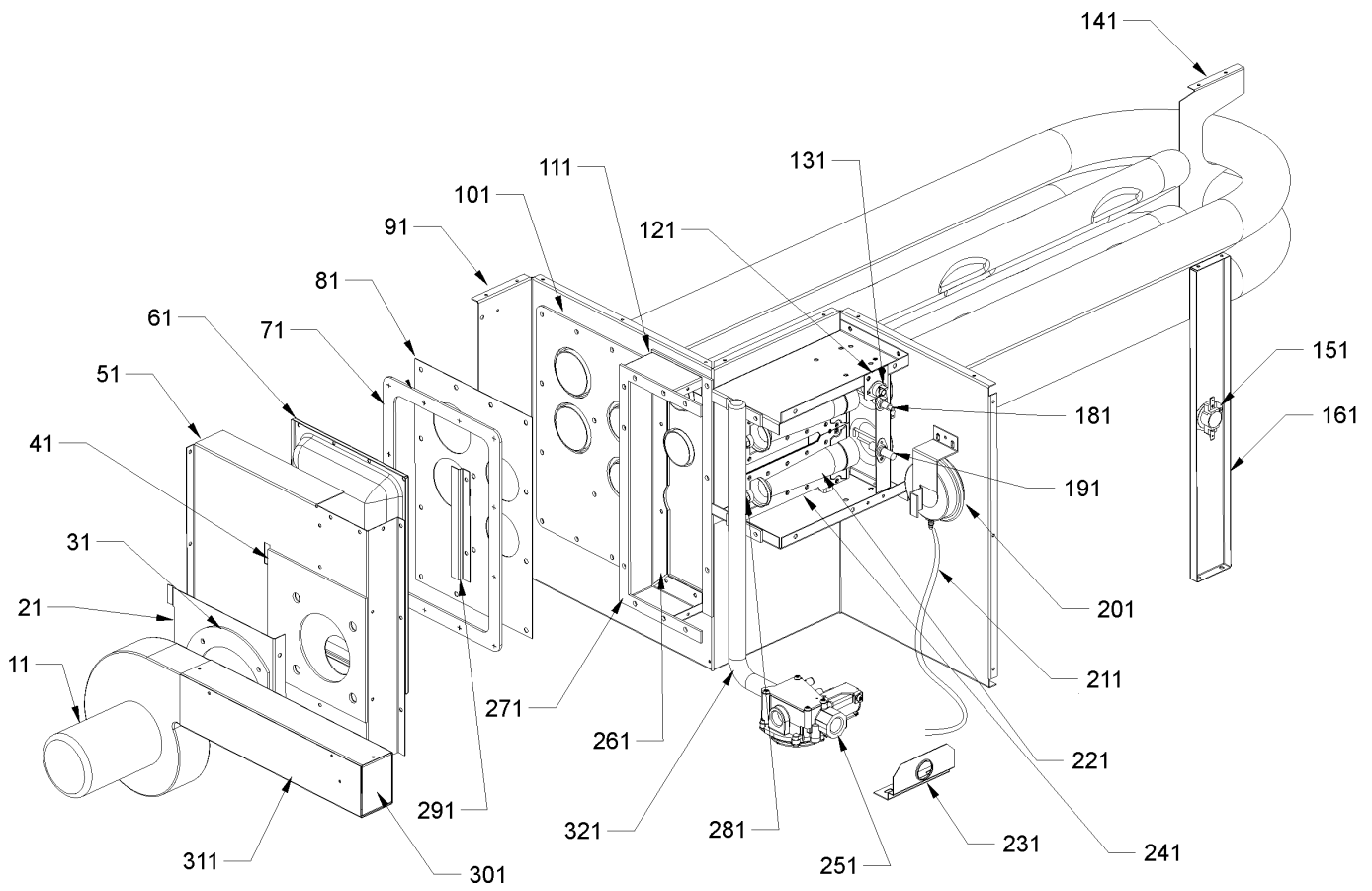
Condenser / Partition Assembly



Condenser / Partition Assembly

| Ref. Part No: No: | Description: | Ref. Part No: No: | Description: |
|-------------------|---|------------------------------------|---|
| Image 1: | | Image 1: | |
| 11 | 0201L00002S TUBING ASSY, COND COIL (M2, M3, M5, M6) | 291 | 0159L00035 COMPRESSOR SCROLL HARNESS (M20, M21, M22, M23) |
| 11 | 0201L00015S TUBING ASSY, COND COIL (M8, M9, M10, M12, M13, M14, M16, M17) | 301 | 0201L00002S TUBING ASSY, COND COIL (M2, M3, M5, M6) |
| 11 | 0201L00025S TUBING ASSY, COND COIL (M1, M4) | 301 | 0201L00016S TUBING ASSY, COND COIL (M8, M9, M10, M12, M13, M14, M16, M17) |
| 11 | 0201L00028S TUBING ASSY, COND COIL (M7, M11, M15) | 301 | 0201L00025S TUBING ASSY, COND COIL (M1, M4) |
| 11 | 0201L00080S TUBING ASSY, COND COIL (M18, M19, M20, M21, M22, M23) | 301 | 0201L00029S TUBING ASSY, COND COIL (M7, M11, M15) |
| 121 | 0121L00103 MOUNTING ANGLE, DECK-DUCT SIDE (M1, M2, M3, M4, M5, M6, M7, M8, M9, M10, M11, M12, M13, M14) | 301 | 0201L00081S TUBING ASSY, COND COIL (M18, M19, M20, M21, M22, M23) |
| 171 | 0121L00090 BLOWER TRANSITION, RH END (M1, M2, M3, M4, M5, M6) | NS | 0162L00002S FLOWRATOR [COND] (M1, M2, M3, M4, M5, M6) |
| 171 | 0121L00168 BLOWER TRANSITION, RH END (M7, M8, M9, M10, M11, M12, M13, M14, M15, M16, M17, M18, M19, M20, M21, M22, M23) | NS | 0162L00006S FLOWRATOR [COND] (M7, M8, M9, M10, M11, M12, M13, M14, M15, M16, M17) |
| 191 | 0121L00092 BLOWER TRANSITION, FRONT | Expanded Model Nomenclature | |
| 201 | 0121L00219 BLOWER DECK (M1, M2, M3, M4, M5, M6, M7, M8, M9, M10, M11, M12, M13, M14) | M1 - CPG0902103BXJXAA | |
| 201 | 0121L00373 BLOWER DECK (M15, M16, M17, M18, M19, M20, M21, M22, M23) | M2 - CPG0902103BXXXAA | |
| 211 | 0121L00097 BLOWER TRANSITION, LH END (M1, M2, M3, M4, M5, M6) | M3 - CPG0902103HXXXAA | |
| 211 | 0121L00169 BLOWER TRANSITION, LH END (M7, M8, M9, M10, M11, M12, M13, M14, M15, M16, M17, M18, M19, M20, M21, M22, M23) | M4 - CPG0902104BXJXAA | |
| 221 | 0121L00094 BLOWER TRANSITION, BACK (M7, M8, M9, M10, M11, M12, M13, M14, M15, M16, M17, M18, M19, M20, M21, M22, M23) | M5 - CPG0902104BXXXAA | |
| 221 | 0121L00145 BLOWER TRANSITION, BACK (M1, M2, M3, M4, M5, M6) | M6 - CPG0902104HXXXAA | |
| 231 | 0121L00102 MOUNTING ANGLE, DECK-COND SIDE (M1, M2, M3, M4, M5, M6, M7, M8, M9, M10, M11, M12, M13, M14) | M7 - CPG1202103BXJXAA | |
| 241 | ZP39K5ETFE5830 COMPRESSOR 39000, 200/230/60/3 (M1, M2, M3) | M8 - CPG1202103BXSXAA | |
| 241 | ZP39K5ETFD130 COMPRESSOR 39000, 460/60/3 (M4, M5, M6) | M9 - CPG1202103BXXXAA | |
| 241 | ZP51K5ETFE5130 COMPRESSOR 51000, 208/230/60/3 (M7, M8, M9, M10) | M10 - CPG1202103HXXXAA | |
| 241 | ZP51K5ETFD830 COMPRESSOR 51000, 460/60/3 (M11, M12, M13, M14) | M11 - CPG1202104BXJXAA | |
| 241 | ZP51K5ETFE830 COMPRESSOR 51000, 575/60/3 (M15, M16, M17) | M12 - CPG1202104BXSXAA | |
| 241 | ZP67KCETFD830 COMPRESSOR 67000, 460/60/3 (M20, M21) | M13 - CPG1202104BXXXAA | |
| 241 | ZP67KCETFE5830 COMPRESSOR 67500, 200/230/60/3 (M18, M19) | M14 - CPG1202104HXXXAA | |
| 241 | ZP67KCETFE830 COMPRESSOR 67500, 575/60/3 (M22, M23) | M15 - CPG1202107BXJXAA | |
| 251 | 0159L00004 COMPRESSOR SCROLL HARNESS (M1, M2, M3, M4, M5, M6, M7, M8, M9, M10, M11, M12, M13, M14, M15, M16, M17, M20, M21, M22, M23) | M16 - CPG1202107BXSXAA | |
| 251 | 0159L00009 COMPRESSOR SCROLL HARNESS (M18, M19) | M17 - CPG1202107BXXXAA | |
| 261 | M0221641 TF SHOULDER SCREW (QTY 8) | M18 - CPG1502103BXSXAA | |
| 271 | B1339533 COMPRESSOR GROMMET (QTY 8) | M19 - CPG1502103BXXXAA | |
| 281 | 0121L00004 COMPRESSOR MOUNTING PLATE (M1, M2, M3, M4, M5, M6, M7, M8, M9, M10, M11, M12, M13, M14) | M20 - CPG1502104BXSXAA | |
| 281 | 0121L00408 COMPRESSOR MOUNTING PLATE (M15, M16, M17, M18, M19, M20, M21, M22, M23) | M21 - CPG1502104BXXXAA | |
| 291 | 0159L00005 COMPRESSOR SCROLL HARNESS (M1, M2, M3, M4, M5, M6, M7, M8, M9, M10, M11, M12, M13, M14, M15, M16, M17) | M22 - CPG1502107BXSXAA | |
| 291 | 0159L00033 COMPRESSOR SCROLL HARNESS (M18, M19) | M23 - CPG1502107BXXXAA | |

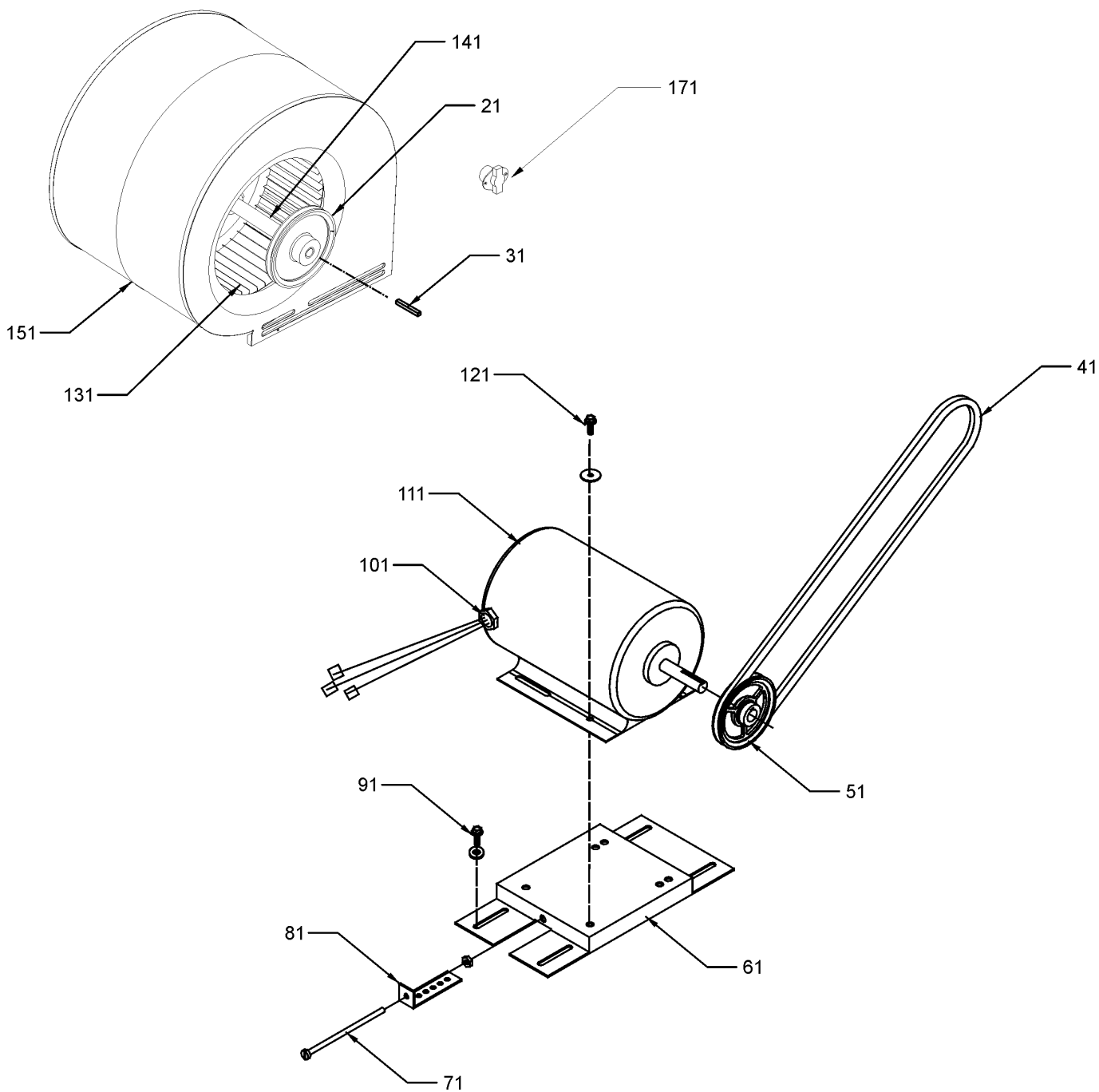
Heat Exchanger Assembly



Heat Exchanger Assembly

| Ref. Part No: No: | Description: | Ref. Part No: No: | Description: |
|-------------------|--|------------------------------------|------------------|
| <i>Image 1:</i> | | Expanded Model Nomenclature | |
| 11 | 0131L00002 VENT MOTOR | M1 | CPG0902103BXJXAA |
| 21 | 0121L00080 MOUNTING PLATE-ID BLOWER | M2 | CPG0902103BXXXAA |
| 31 | 0154L00007 GASKET, BLOWER/ORIFICE PLATE | M3 | CPG0902103HXXXAA |
| 41 | 0154L00006 GASKET, COLLECTOR/ORIFICE PLATE | M4 | CPG0902104BXJXAA |
| 51 | 0121L00077 COLLECTOR BOX COVER | M5 | CPG0902104BXXXAA |
| 61 | 0121L00072 REAR COVER, HEAT EXCHANGER | M6 | CPG0902104HXXXAA |
| 71 | 0154L00010 REAR COVER GASKET, HEAT EXCHANGER | M7 | CPG1202103BXJXAA |
| 81 | 0121L00133 TUBE PLATE, HEAT EXCHANGER | M8 | CPG1202103BXSXAA |
| 91 | 0270L00043 HEAT EXCHANGER ASSY 6B (M1, M2, M3, M4, M5, M6, M7, M9, M10, M11, M13, M14, M15, M17, M19, M21, M23) | M9 | CPG1202103BXXXAA |
| 91 | 0270L00171 HEAT EXCHANGER ASSY 6B (M8, M12, M16, M18, M20, M22) | M10 | CPG1202103HXXXAA |
| 101 | 0154L00015 TUBE PLATE GASKET, HEAT EXCHANGER | M11 | CPG1202104BXJXAA |
| 111 | 0121L00076 COLLECTOR BOX CHANNEL | M12 | CPG1202104BXSXAA |
| 121 | 0121L00323 FLAME ROLLOUT BRACKET | M13 | CPG1202104BXXXAA |
| 131 | 10123532 MANUAL RESET LIMIT 350°F | M14 | CPG1202104HXXXAA |
| 141 | 0121L00091 HEAT EXCHANGER TUBES SUPPORT | M15 | CPG1202107BXJXAA |
| 151 | B1370187 PRIMARY LIMIT SWITCH 160°F (M18, M19, M20, M21, M22, M23) | M16 | CPG1202107BXSXAA |
| 151 | B1370199 PRIMARY LIMIT SWITCH 190°F (M1, M2, M3, M4, M5, M6, M7, M8, M9, M10, M11, M12, M13, M14, M15, M16, M17) | M17 | CPG1202107BXXXAA |
| 161 | 0121L00093 POST-LIMIT SWITCH | M18 | CPG1502103BXSXAA |
| 181 | 0130F00010 FLAME SENSOR | M19 | CPG1502103BXXXAA |
| 191 | 20261709 IGNITOR | M20 | CPG1502104BXSXAA |
| 201 | 11112501 PRESSURE SWITCH | M21 | CPG1502104BXXXAA |
| 211 | A3468601 PRESSURE SWITCH HOSE | M22 | CPG1502107BXSXAA |
| 221 | 0163L00000 BECKETT BURNER (QTY 6) | M23 | CPG1502107BXXXAA |
| 231 | 0121L00147 PIPE BRACKET-GAS VALVE | | |
| 241 | 0121L00075 BURNER BRACKET 6B | | |
| 251 | 0151L00000 GAS VALVE (36H) | | |
| 261 | 0154L00011 INNER GASKET, COLLECTOR BOX | | |
| 271 | 0154L00012 OUTER GASKET, COLLECTOR BOX | | |
| 281 | 0163L00007 ORIFICE #34 DRILL (QTY 6) | | |
| 291 | 0121L00073 TUBE RESTRICTOR | | |
| 301 | 0163L00006 FLUE SCREEN | | |
| 311 | 0121L00049S HEAT EXCHANGER FLUE (QTY 2) | | |
| 321 | 0163L00010 MANIFOLD - 6 BRNR | | |
| NS | 0121L00130DGS FLUE COLLAR | | |
| NS | B1392609 SEAL STRIP, RED, 1/8 X 1/2 X 100 (QTY 3) | | |

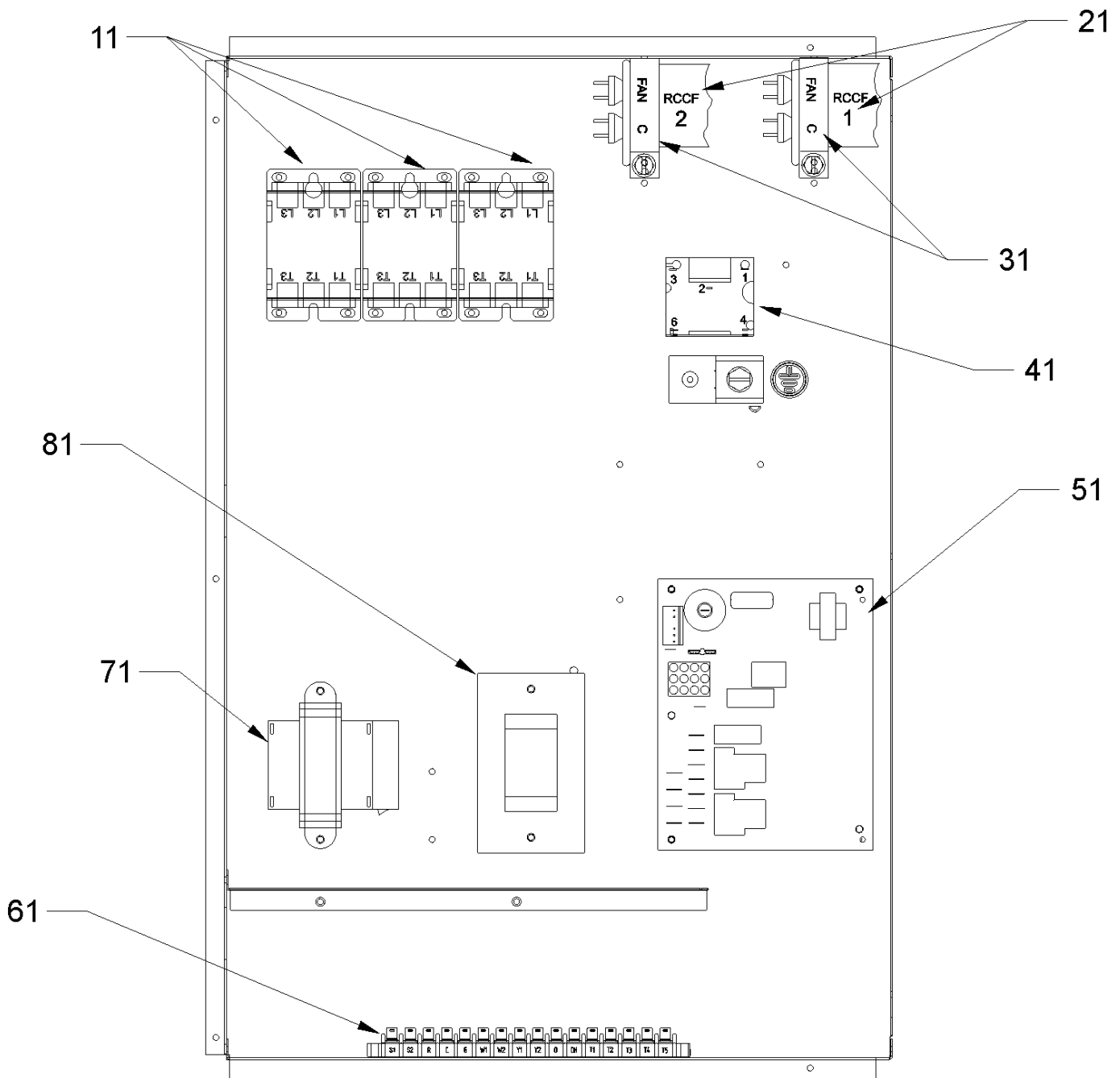
Belt Drive Blower / Motor Assembly



Belt Drive Blower / Motor Assembly

| Ref. Part No: | No: | Description: | Ref. Part No: | No: | Description: |
|-----------------|------------|---|------------------------------------|-----|------------------|
| <i>Image 1:</i> | | | Expanded Model Nomenclature | | |
| 21 | B3204303 | FIXED SHEAVE AK61 (M3, M6, M10, M14) | M1 | - | CPG0902103BXJXAA |
| 21 | B3204310 | FIXED SHEAVE AK66 (M18, M19, M20, M21, M22, M23) | M2 | - | CPG0902103BXXXAA |
| 21 | 0163L00011 | FIXED SHEAVE AK74 (M1, M2, M4, M5, M7, M8, M9, M11, M12, M13, M15, M16, M17) | M3 | - | CPG0902103HXXXAA |
| 31 | B1398604 | STEEL KEY (000158812) 2.0" | M4 | - | CPG0902104BXJXAA |
| 41 | 0164L00001 | NOTCHED FAN BELT AX49 (M3, M6, M10, M14, M18, M19, M20, M21, M22, M23) | M5 | - | CPG0902104BXXXAA |
| 41 | 0164L00000 | NOTCHED FAN BELT AX51 (M1, M2, M4, M5, M7, M8, M9, M11, M12, M13, M15, M16, M17) | M6 | - | CPG0902104HXXXAA |
| 51 | B2120014 | VARIABLE PITCH SHEAVE 1VL44 X 7/8" (M3, M6, M10, M14) | M7 | - | CPG1202103BXJXAA |
| 51 | 0163L00012 | VARIABLE PITCH SHEAVE VL40 (M1, M2, M4, M5, M7, M8, M9, M11, M12, M13, M15, M16, M17, M18, M19, M20, M21, M22, M23) | M8 | - | CPG1202103BXSXAA |
| 61 | 0270L00266 | MOTOR BASE ASSY | M9 | - | CPG1202103BXXXAA |
| 71 | 0163M00045 | BOLT 1/4-20 X 4" | M10 | - | CPG1202103HXXXAA |
| 81 | 3225000F | BELT TIGHTENER ANGLE | M11 | - | CPG1202104BXJXAA |
| 91 | B1446707 | SCREW 5/16-18 X 1" (QTY 4) | M12 | - | CPG1202104BXSXAA |
| 101 | B1393726 | ELECT. CONNECTING BUSHING | M13 | - | CPG1202104BXXXAA |
| 111 | B3240007 | BELT DRIVE MOTOR 1.5 HP (M1, M2, M4, M5) | M14 | - | CPG1202104HXXXAA |
| 111 | B3240006 | BELT DRIVE MOTOR 2 HP (M3, M6, M7, M8, M9, M11, M12, M13) | M15 | - | CPG1202107BXJXAA |
| 111 | 0131L00005 | BELT DRIVE MOTOR 2 HP 575 V (M15, M16, M17) | M16 | - | CPG1202107BXSXAA |
| 111 | B3240004 | BELT DRIVE MOTOR 3 HP (M10, M14, M18, M19, M20, M21) | M17 | - | CPG1202107BXXXAA |
| 111 | 0131L00006 | BELT DRIVE MOTOR 3 HP 575 V (M22, M23) | M18 | - | CPG1502103BXSXAA |
| 121 | B1393738 | BOLT 1/4-20 X 3/4" (QTY 4) | M19 | - | CPG1502103BXXXAA |
| 131 | 03-77429 | BELT DRIVE BLOWER WHEEL (M1, M2, M3, M4, M5, M6) | M20 | - | CPG1502104BXSXAA |
| 131 | 03-78497 | BELT DRIVE BLOWER WHEEL (M7, M8, M9, M10, M11, M12, M13, M14, M15, M16, M17, M18, M19, M20, M21, M22, M23) | M21 | - | CPG1502104BXXXAA |
| 141 | 04-11525 | BELT DRIVE BLOWER SHAFT (M1, M2, M3, M4, M5, M6) | M22 | - | CPG1502107BXSXAA |
| 141 | 04-11526 | BELT DRIVE BLOWER SHAFT (M7, M8, M9, M10, M11, M12, M13, M14, M15, M16, M17, M18, M19, M20, M21, M22, M23) | M23 | - | CPG1502107BXXXAA |
| 151 | 04-01525 | BELT DRIVE BLOWER HOUSING (M1, M2, M3, M4, M5, M6) | | | |
| 151 | 04-01526 | BELT DRIVE BLOWER HOUSING (M7, M8, M9, M10, M11, M12, M13, M14, M15, M16, M17, M18, M19, M20, M21, M22, M23) | | | |
| 171 | 0130F00036 | PRIMARY LIMIT - PINK (M18, M19, M20, M21, M22, M23) | | | |
| 171 | 20162904 | PRIMARY LIMIT-TEMPERATURE CONTROL (M1, M2, M3, M4, M5, M6, M7, M8, M9, M10, M11, M12, M13, M14, M15, M16, M17) | | | |
| NS | 04-02196 | BALL BEARING & FRAME ASSY | | | |
| NS | 0259L00008 | MOTOR HARNESS-BELT DRIVE | | | |

Control Box Assembly



Control Box Assembly

| Ref. Part No: | Ref. Part No: | Description: | Description: |
|-----------------|-----------------|--|--------------|
| Image 1: | | | |
| 11 | CONT3P025024V | CONTACTOR 25 AMP, 3P, 24V (M1, M2, M3, M4, M5, M6, M7, M8, M9, M10, M11, M12, M13, M14, M15, M16, M17, M20, M21, M22, M23) | |
| 11 | CONT3P030024VS | CONTACTOR 30 AMP, 3P, 24V (M18, M19) | |
| 21 | CAP050000370VAS | CAPACITOR 5/370V (QTY 2) | |
| 31 | 20520901 | CAPACITOR STRAP (QTY 2) | |
| 41 | 0130M00025S | 24V RELAY | |
| 51 | PCBAG123 | IGNITION BOARD, DSI INTEGRATED | |
| 61 | 0130M00038 | TERMINAL BOARD | |
| 71 | B1141672 | TRANSFORMER 480V, 75VA, RESETTABLE (M1, M2, M3, M4, M5, M6, M7, M8, M9, M10, M11, M12, M13, M14, M18, M19, M20, M21) | |
| 71 | 0130M00045S | TRANSFORMER 575/24V (M15, M16, M17, M22, M23) | |
| 81 | B1141663 | TRANSFORMER 460V TO 230V, 150 VA (M4, M5, M6, M11, M12, M13, M14, M20, M21) | |
| 81 | 0130M00044S | TRANSFORMER 575/230V (M15, M16, M17, M22, M23) | |
| NS | 0259L00031 | 12-PIN HARNESS | |
| NS | 0259L00021 | CONTROL HARNESS (M4, M5, M6, M11, M12, M13, M14, M15, M16, M17, M20, M21, M22, M23) | |
| NS | 0259L00022 | CONTROL HARNESS (M1, M2, M3, M7, M8, M9, M10, M18, M19) | |
| NS | 0259L00033 | ECONOMIZER HARNESS (M1, M2, M3, M4, M5, M6, M7, M8, M9, M10, M11, M12, M13, M14, M15, M16, M17) | |
| NS | 0259L00099 | ECONOMIZER HARNESS (M18, M19, M20, M21, M22, M23) | |

Expanded Model Nomenclature

M1 - CPG0902103BXJXAA
 M2 - CPG0902103BXXXAA
 M3 - CPG0902103HXXXAA
 M4 - CPG0902104BXJXAA
 M5 - CPG0902104BXXXAA
 M6 - CPG0902104HXXXAA
 M7 - CPG1202103BXJXAA
 M8 - CPG1202103BXSXAA
 M9 - CPG1202103BXXXAA
 M10 - CPG1202103HXXXAA
 M11 - CPG1202104BXJXAA
 M12 - CPG1202104BXSXAA
 M13 - CPG1202104BXXXAA
 M14 - CPG1202104HXXXAA
 M15 - CPG1202107BXJXAA
 M16 - CPG1202107BXSXAA
 M17 - CPG1202107BXXXAA
 M18 - CPG1502103BXSXAA
 M19 - CPG1502103BXXXAA
 M20 - CPG1502104BXSXAA
 M21 - CPG1502104BXXXAA
 M22 - CPG1502107BXSXAA
 M23 - CPG1502107BXXXAA