

REPAIR PARTS

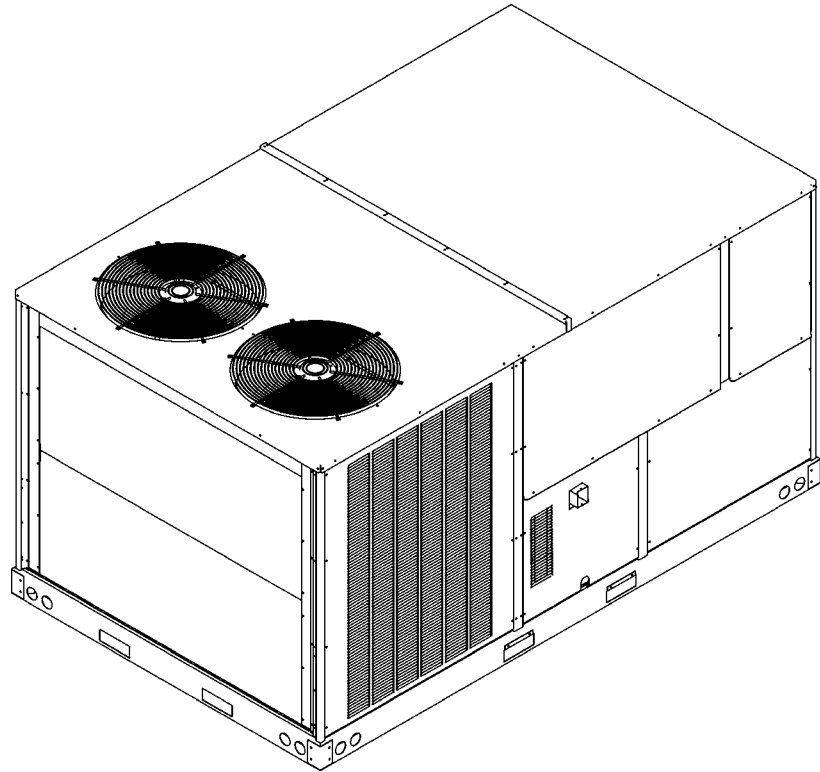
Commercial 10 Ton Package Gas

CPG1202103VXXXAA

CPG1202104VXXXAA

CPG1202107VASXAA

CPG1202107VXXXAA



This manual is to be used by qualified technicians only.

This manual replaces RP-760.

© 2012-2013 Goodman Manufacturing Company, L.P. ♦ 5151 San Felipe, Suite 500 ♦ Houston, TX 77056

Important Information

Index

Functional Parts List	3
Illustration and Parts	4 - 19

Views shown are for parts illustrations only, not servicing procedures.

Text Codes:

AR - As Required

NA - Not Available

NS - Not Shown

00000000 - See Note

QTY - Quantity Example (QTY 3) (If Quantity not shown, Quantity = 1)

M - Model Example (M1) (If M Code not shown, then part is used on all Models)

Expanded Model Nomenclature:

Example M1 - Model#1 M2 - Model#2 M3 - Model#3

Goodman Manufacturing Company, L.P. is not responsible for personal injury or property damage resulting from improper service. Review all service information before beginning repairs.

Warranty service must be performed by an authorized technician, using authorized factory parts. If service is required after the warranty expires, Goodman Manufacturing Company, L.P. also recommends contacting an authorized technician and using authorized factory parts.

Goodman Manufacturing Company, L.P. reserves the right to discontinue, or change at any time, specifications or designs without notice or without incurring obligations.

For assistance within the U.S.A. contact:
Consumer Affairs Department
Goodman Manufacturing Company, L.P.
7401 Security Way
Houston, Texas 77040
877-254-4729-Telephone
713-863-2382-Facsimile

For assistance outside the U.S.A. contact:
International Division
Goodman Manufacturing Company, L.P.
7401 Security Way
Houston, Texas 77040
713-861-2500-Telephone
713-863-2382-Facsimile

Functional Parts

Part

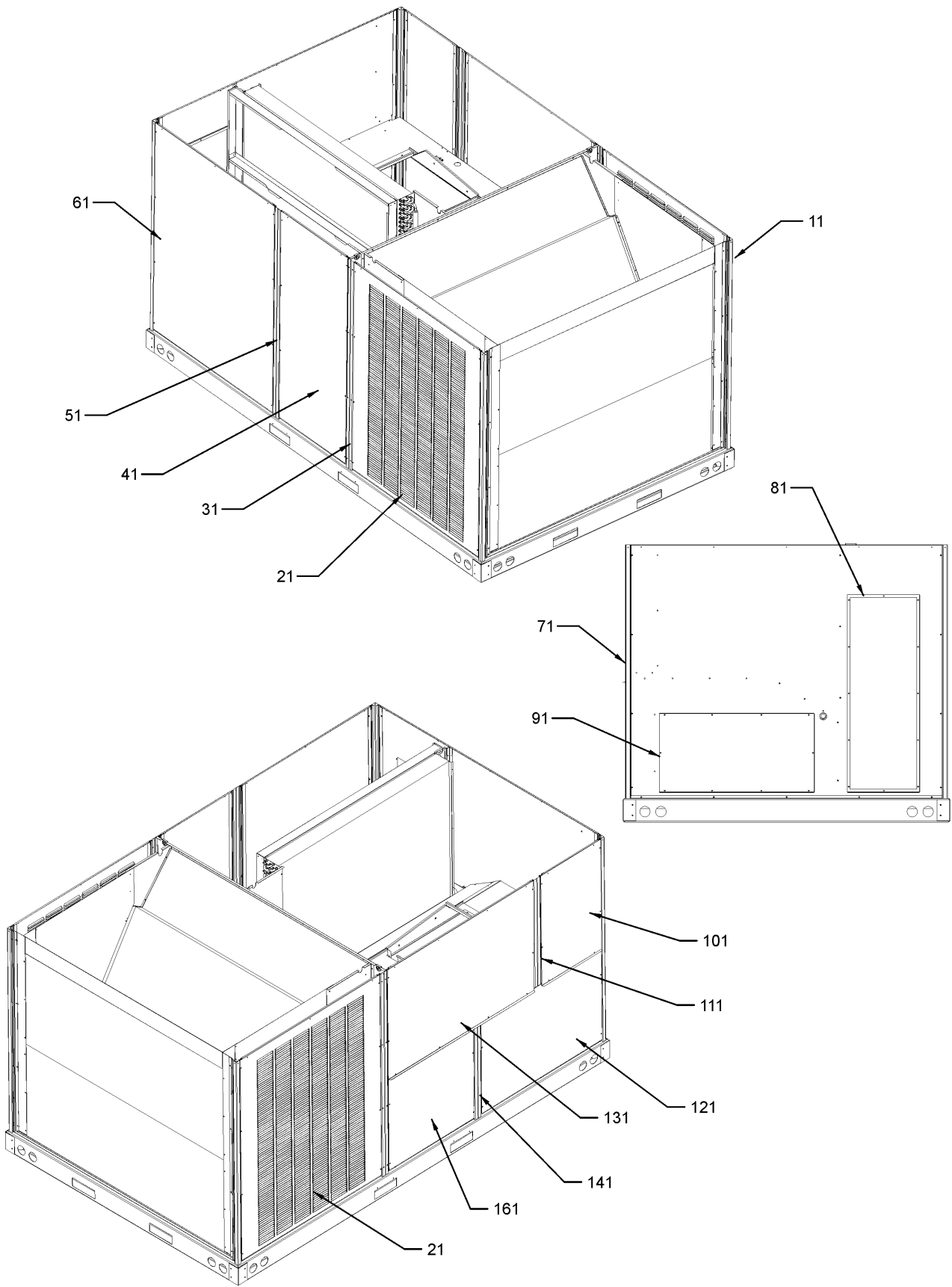
No: Description:

B1370751	24V RELAY (QTY 2)
0130M00025	24V RELAY
0163L00000	BECKETT BURNER (QTY 6)
03-78497	BLOWER WHEEL
ZP51K5ETF5130	COMPRESSOR 51000, 208/230/60/3 (M1)
ZP51K5ETFD130	COMPRESSOR 51000, 460/60/3 (M2)
ZP51K5ETFE130	COMPRESSOR 51000, 575/60/3 (M3, M4)
0131M00008P	COND MOTOR 1/3 HP, 1 SP, 6 PL (M1)
B13400249	COND MOTOR 1/3 HP, 460V (M2)
0131M00179	COND MOTOR 1/3 HP, 6 PL, 575V (M3, M4)
CONT3P025024V	CONTACTOR 25 AMP, 3P, 24V (QTY 4)
0130M00031	CUT-OUT SWITCH, HIGH PRESSURE
0130M00030	CUT-OUT SWITCH, HIGH PRESSURE
0130L00003	CUT-OUT SWITCH, LOW PRESSURE
0130L00002	CUT-OUT SWITCH, LOW PRESSURE
0164L00017	FAN BELT, NOTCHED
10625733	FAN BLADE 22" ALUM CCW (QTY 2)
0130F00010	FLAME SENSOR
0151L00000	GAS VALVE (36H)
PCBAG123	IGNITION BOARD, DSI INTEGRATED
20261709	IGNITOR
0163L00010	MANIFOLD - 6 BRNR
10123532	MANUAL RESET LIMIT 350°F
0131L00023	MOTOR, 2 HP BELT DRIVE 230V (M1)
0131L00029	MOTOR, 2 HP BELT DRIVE 460 V (M2)
0131L00026	MOTOR, 2 HP BELT DRIVE 575 V (M3, M4)
16330-3	POWER BLOCK
11112501	PRESSURE SWITCH
B1370199	PRIMARY LIMIT SWITCH 190°F
20162904	PRIMARY LIMIT-TEMPERATURE CONTROL
10135604	RELAY (QTY 2)
0130M00038	TERMINAL BOARD
B1141663	TRANSFORMER 460V TO 230V, 150 VA (M2)
B1141653	TRANSFORMER 480V, 75VA, RESETTABLE (M2)
B1141672	TRANSFORMER 480V, 75VA, RESETTABLE (M1)
0130M00045	TRANSFORMER 575/24V (M3, M4)
0131L00002	VENT MOTOR

Expanded Model Nomenclature

M1 - CPG1202103VXXXAA
M2 - CPG1202104VXXXAA
M3 - CPG1202107VASXAA
M4 - CPG1202107VXXXAA

Cabinet Assembly



Cabinet Assembly

Ref. Part No:	No:	Description:	Ref. Part No:	No:	Description:
---------------	-----	--------------	---------------	-----	--------------

Image 1:

11	0121L00065RFDG	CORNER POST (QTY 4)
21	0121L00511DG	LOUVERED SIDE PANEL (QTY 2)
31	0121L00738RFDG	ROLL FORM SIDE POST (QTY 2)
41	0270L00272	FILTER DOOR ASSY
51	0121L00739	FILTER DOOR POST
61	0270L00175	INSULATED ASSY, ECONOMIZER DOOR
71	0270L00398	DUCT PANEL ASSY
81	0270L00041	INSULATED ASSY, SUPPLY DUCT
91	0270L00040	INSULATED ASSY, RETURN DUCT
101	0121L00974	CONTROL DOOR
111	0121L00762RFDG	CONTROL BOX POST
121	0270L00299	INSUL HEAT EXCHANGER DOOR ASSY
131	0270L00298	INSUL BLOWER DOOR ASSY
141	0121L00765RFDG	BURNER BOX POST
161	0121L00766DG	BURNER DOORS
NS	0121L00129	DOOR RAIN SHIELD (M3)

Expanded Model Nomenclature

- M1 - CPG1202103VXXXAA
- M2 - CPG1202104VXXXAA
- M3 - CPG1202107VASXAA
- M4 - CPG1202107VXXXAA

Top Panel / Tubing Assembly

Image 1

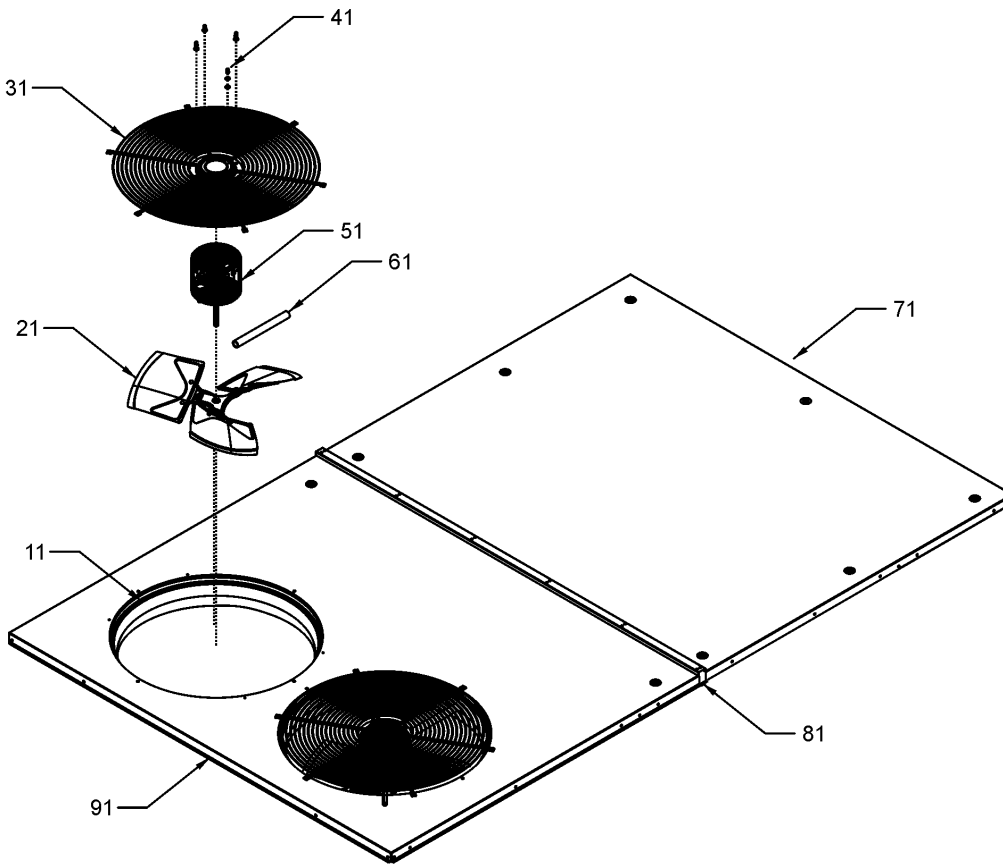
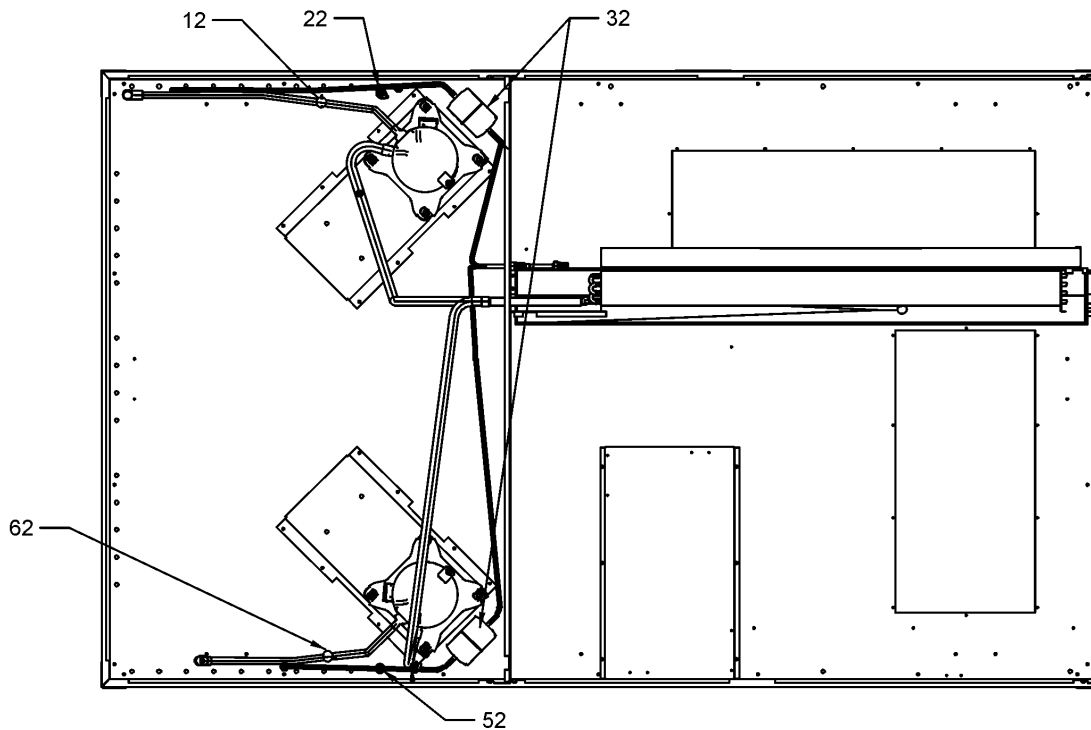


Image 2



Top Panel / Tubing Assembly

Ref. Part No: No:	Description:	Ref. Part No: No:	Description:
-------------------	--------------	-------------------	--------------

Image 1:

11	0161L00000	VENTURI RING 22" (QTY 2)
21	10625733	FAN BLADE 22" ALUM CCW (QTY 2)
31	0152G00003	FAN GRILLE (QTY 2)
41	0163M00006P	ACORN NUT 5/16 HEX BLACK (QTY 8)
51	0131M00008P	COND MOTOR 1/3 HP, 1 SP, 6 PL (M1)
51	B13400249	COND MOTOR 1/3 HP, 460V (M2)
51	0131M00179	COND MOTOR 1/3 HP, 6 PL, 575V (M3, M4)
61	17788000083F	PVC CONDUIT 8.25"
71	0121L00497DG	EVAP TOP PANEL
81	20455902	SPLICE GASKET .50 X .25 (QTY 5)
91	0121L01014DG	COND TOP PANEL
NS	0259L00025	COND MOTOR HARNESS 230V (M1, M3, M4)
NS	0259L00027	COND MOTOR HARNESS 230V (M1, M3, M4)
NS	0259L00026	COND MOTOR HARNESS 460V (M2)
NS	0259L00028	COND MOTOR HARNESS 460V (M2)

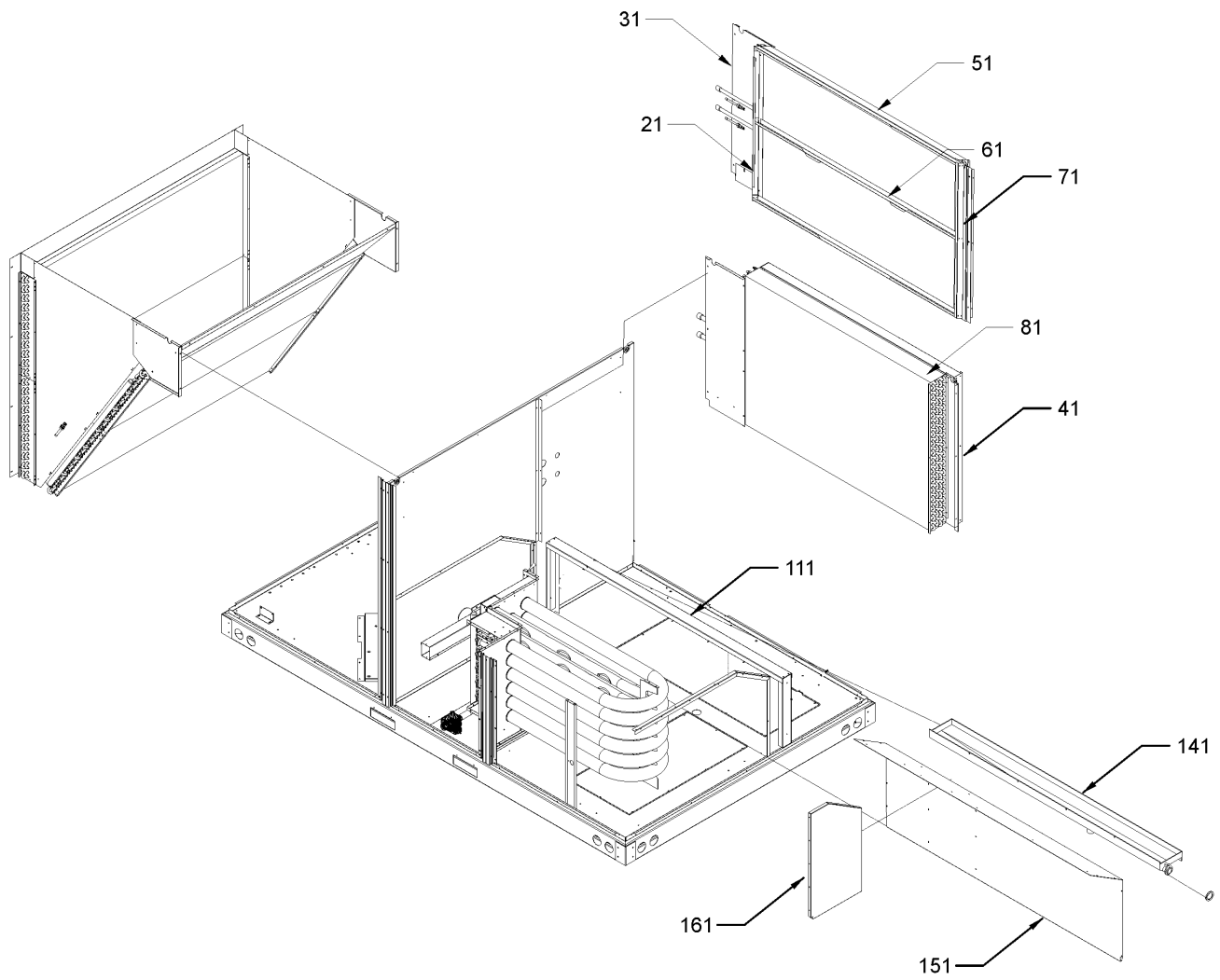
Image 2:

12	0130M00030	CUT-OUT SWITCH, HIGH PRESSURE
22	0130L00003	CUT-OUT SWITCH, LOW PRESSURE
32	B1219204	BI-FLOW FILTER DRIER
52	0130L00002	CUT-OUT SWITCH, LOW PRESSURE
62	0130M00031	CUT-OUT SWITCH, HIGH PRESSURE
NS	B1373315	ACCESS FITTING (QTY 4)
NS	0163M00175	CAP WITH O-RING (QTY 4)
NS	0121L00359	SHIELD-EVAPORATOR DRIP

Expanded Model Nomenclature

M1 - CPG1202103VXXXAA
M2 - CPG1202104VXXXAA
M3 - CPG1202107VASXAA
M4 - CPG1202107VXXXAA

Evaporator / Partition Assembly



Evaporator / Partition Assembly

Ref. Part No:	Ref. Part No:	Description:	Description:
---------------	---------------	--------------	--------------

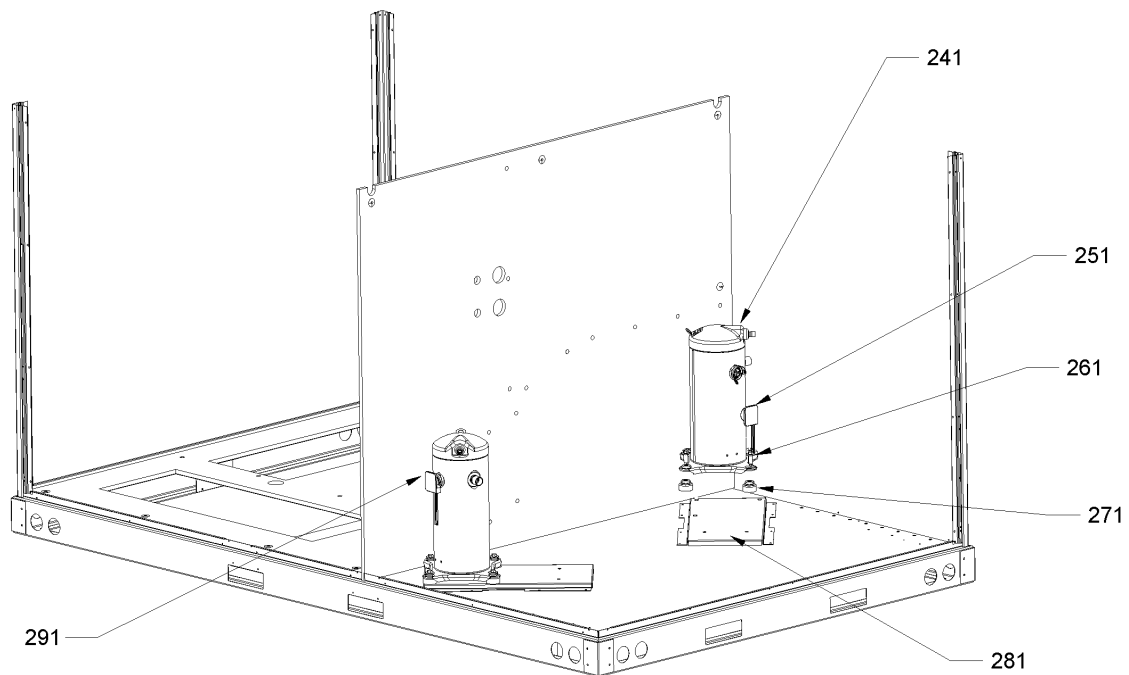
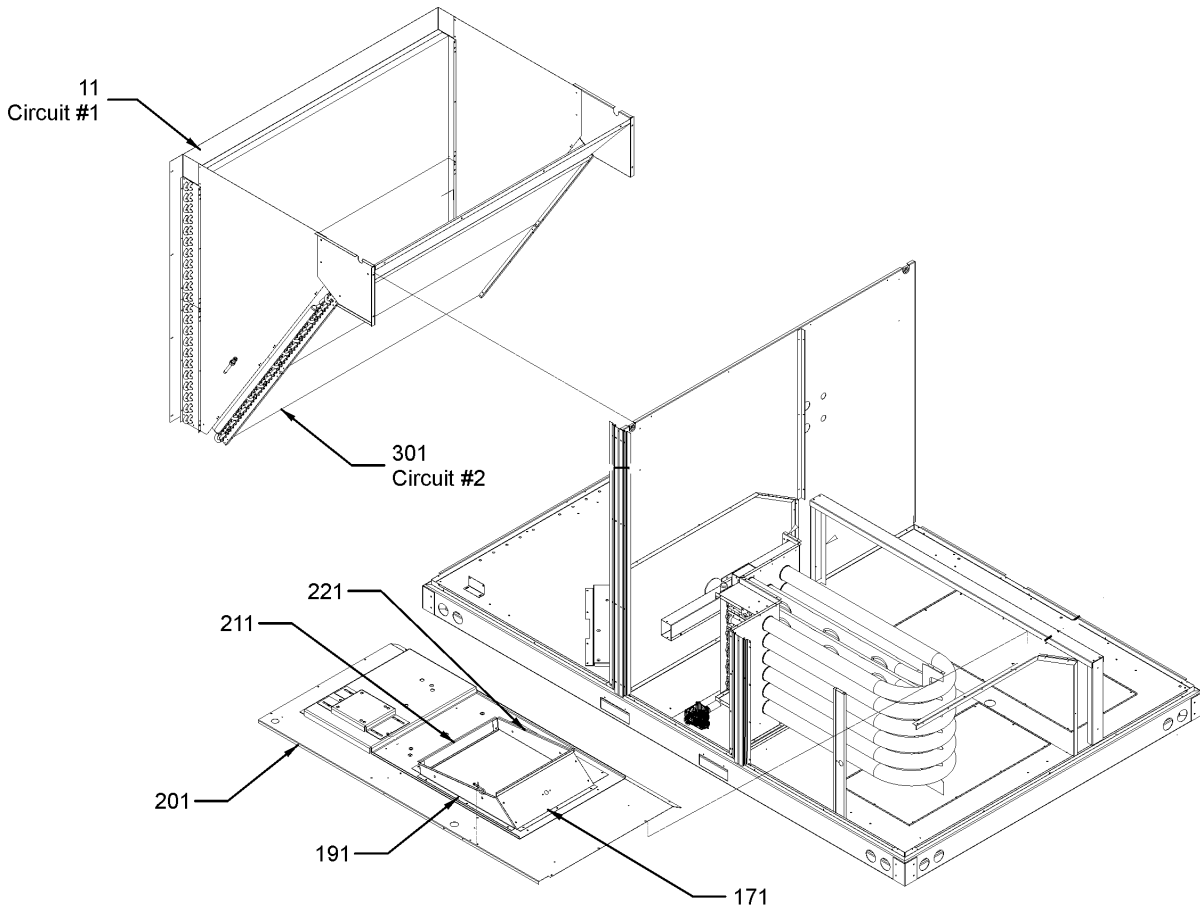
Image 1:

21	0121L00650	FILTER ANGLE-VERTICAL (RETURN SIDE)
31	0121L00210	EVAP EXTENSION-RETURN SIDE
41	0121L00843	EXTENSION-EVAP HPIN
51	0121L00649	FILTER ANGLE - HORIZONTAL (QTY 2)
61	0121L00648	FILTER ANGLE - HORIZONTAL (CENTER)
71	0121L00358	FILTER ANGLE-VERTICAL (HAIRPIN SIDE)
81	0202L00007	TUBING ASSY, EVAP COIL
111	0121L00508	DRAIN PAN SUPPORT
141	0161L00002	DRAIN PAN
151	0121L00374	DECK SIDE CHANNEL
161	0121L00522	HEAT EXCHANGER BLOCK-OFF
NS	0160L00021	FILTER (QTY 4)
NS	0162L00011	FLOWRATOR [EVAP] (QTY 2)

Expanded Model Nomenclature

- | |
|-----------------------|
| M1 - CPG1202103VXXXAA |
| M2 - CPG1202104VXXXAA |
| M3 - CPG1202107VASXAA |
| M4 - CPG1202107VXXXAA |

Condenser / Partition Assembly



Condenser / Partition Assembly

Ref. Part No: No:	Description:	Ref. Part No: No:	Description:
-------------------	--------------	-------------------	--------------

Image 1:

11	0201L00130	COND COIL ASSY, 5MM C1
171	0121L00168	BLOWER TRANSITION, RH END
191	0121L00092	BLOWER TRANSITION, FRONT
201	0121L00975	BLOWER DECK
211	0121L00169	BLOWER TRANSITION, LH END
221	0121L00094	BLOWER TRANSITION, BACK
241	ZP51K5ETF5130	COMPRESSOR 51000, 208/230/60/3 (M1)
241	ZP51K5ETFD130	COMPRESSOR 51000, 460/60/3 (M2)
241	ZP51K5ETFE130	COMPRESSOR 51000, 575/60/3 (M3, M4)
251	0159L00004	COMPRESSOR SCROLL HARNESS
261	M0221641	TF SHOULDER SCREW (QTY 8)
271	B1339533	COMPRESSOR GROMMET (QTY 8)
281	0121L00408	COMPRESSOR MOUNTING PLATE (QTY 2)
291	0159L00005	COMPRESSOR SCROLL HARNESS
301	0201L00136	COND COIL ASSY, 5MM C2

Expanded Model Nomenclature

- | |
|-----------------------|
| M1 - CPG1202103VXXXAA |
| M2 - CPG1202104VXXXAA |
| M3 - CPG1202107VASXAA |
| M4 - CPG1202107VXXXAA |

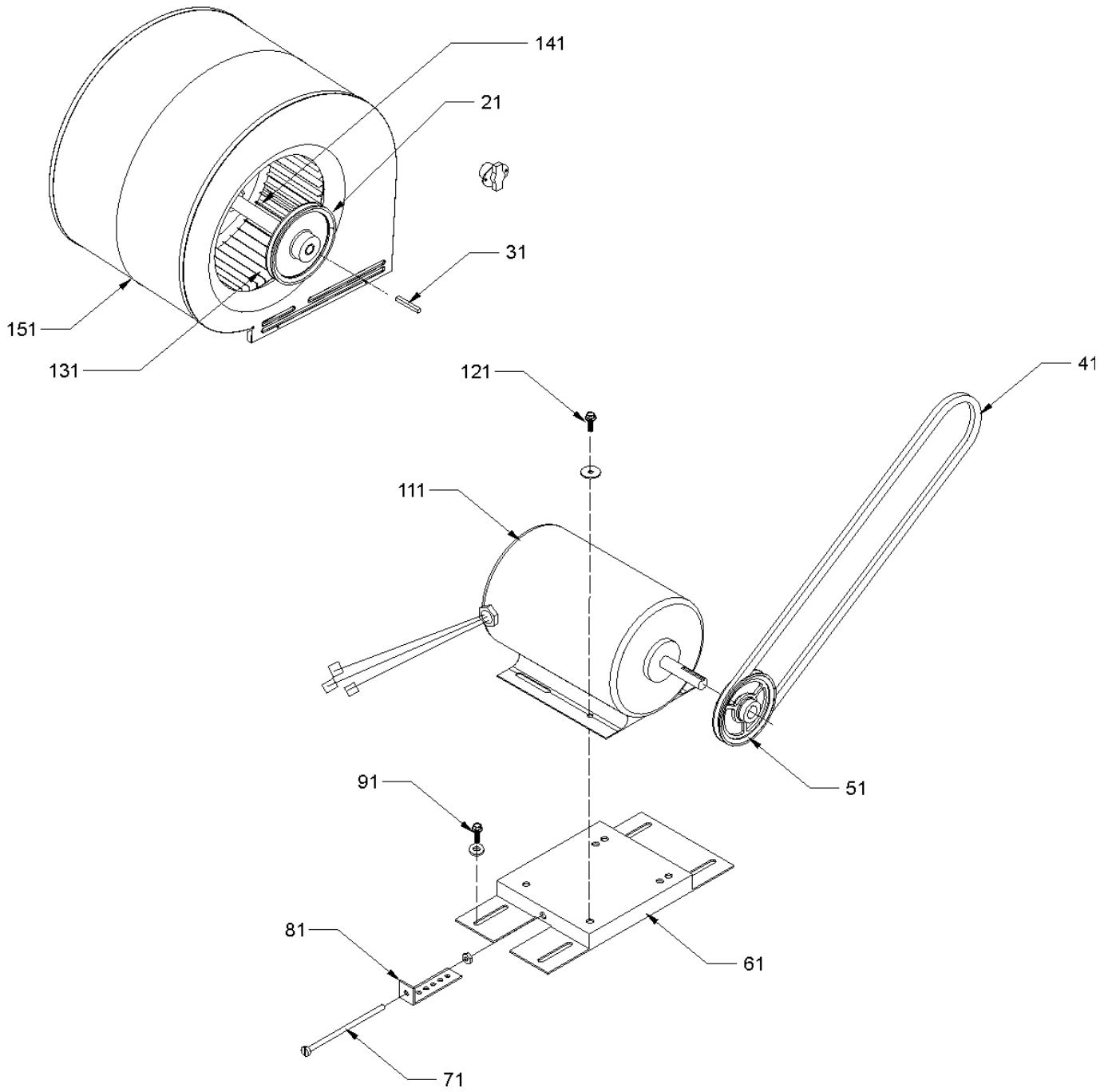
Heat Exchanger Assembly

Ref. Part No:	No:	Description:	Ref. Part No:	No:	Description:
<i>Image 1:</i>					
11	0131L00002	VENT MOTOR			
21	0121L00080	MOUNTING PLATE-ID BLOWER			
31	0154L00007	GASKET, BLOWER/ORIFICE PLATE			
41	0154L00006	GASKET, COLLECTOR/ORIFICE PLATE			
51	0121L00077	COLLECTOR BOX COVER			
61	0121L00072	REAR COVER, HEAT EXCHANGER			
71	0154L00010	REAR COVER GASKET, HEAT EXCHANGER			
81	0121L00133	TUBE PLATE, HEAT EXCHANGER			
91	0121L00033	PANEL HT TUBES 6 BURNER			
101	0154L00015	TUBE PLATE GASKET, HEAT EXCHANGER			
111	0121L00076	COLLECTOR BOX CHANNEL			
121	0121L00323	FLAME ROLLOUT BRACKET			
131	10123532	MANUAL RESET LIMIT 350°F			
141	0121L01065	HEAT EXCHANGER TUBES SUPPORT			
151	B1370199	PRIMARY LIMIT SWITCH 190°F			
161	0121L00093	POST-LIMIT SWITCH			
171	0270L00043	HEAT EXCHANGER ASSY 6B (M1, M2, M4)			
171	0270L00171	HEAT EXCHANGER ASSY 6B (M3)			
181	0130F00010	FLAME SENSOR			
191	20261709	IGNITOR			
201	11112501	PRESSURE SWITCH			
211	A3468601	PRESSURE SWITCH HOSE			
221	0163L00000	BECKETT BURNER (QTY 6)			
231	0121L00147	PIPE BRACKET-GAS VALVE			
241	0121G00268	BRACKET-BURNER TOP/BOT (QTY 2)			
251	0151L00000	GAS VALVE (36H)			
261	0154L00011	INNER GASKET, COLLECTOR BOX			
271	0154L00012	OUTER GASKET, COLLECTOR BOX			
281	0163L00007	ORIFICE #34 DRILL (QTY 6)			
291	0121L00073	TUBE RESTRICTOR			
301	0163L00006	FLUE SCREEN			
311	0121L00049	HEAT EXCHANGER FLUE			
321	0163L00010	MANIFOLD - 6 BRNR			
NS	0121L00130DG	FLUE COLLAR			
NS	20162904	PRIMARY LIMIT-TEMPERATURE CONTROL			
NS	B1392609	SEAL STRIP, RED, 1/8 X 1/2 X 100 (QTY 3)			

Expanded Model Nomenclature

M1 - CPG1202103VXXXAA
M2 - CPG1202104VXXXAA
M3 - CPG1202107VASXAA
M4 - CPG1202107VXXXAA

Belt Drive Blower / Motor Assembly



Belt Drive Blower / Motor Assembly

Ref. Part No:	No:	Description:	Ref. Part No:	No:	Description:
<i>Image 1:</i>					
21	0163L00011	FIXED SHEAVE AK74			
31	B1398604	STEEL KEY (000158812) 2.0"			
41	0164L00017	FAN BELT, NOTCHED			
51	0163L00012	VARIABLE PITCH SHEAVE VL40			
61	0270L00015	MOTOR BASE ASSY			
71	0163M00045	BOLT 1/4-20 X 4"			
81	3225000F	BELT TIGHTENER ANGLE			
91	B1446707	SCREW 5/16-18 X 1" (QTY 4)			
111	0131L00023	MOTOR, 2 HP BELT DRIVE 230V (M1)			
111	0131L00029	MOTOR, 2 HP BELT DRIVE 460 V (M2)			
111	0131L00026	MOTOR, 2 HP BELT DRIVE 575 V (M3, M4)			
121	B1393738	BOLT 1/4-20 X 3/4" (QTY 5)			
131	03-78497	BLOWER WHEEL			
141	04-11526	BLOWER SHAFT			
151	04-01526	BLOWER HOUSING			
NS	04-02196	BLOWER BEARING & FRAME ASSY			
NS	0259L00160	HARNESS-BELT DRIVE 2 SP MOTOR			

Expanded Model Nomenclature

M1 - CPG1202103VXXXAA
M2 - CPG1202104VXXXAA
M3 - CPG1202107VASXAA
M4 - CPG1202107VXXXAA

Control Box Assembly

Image 1

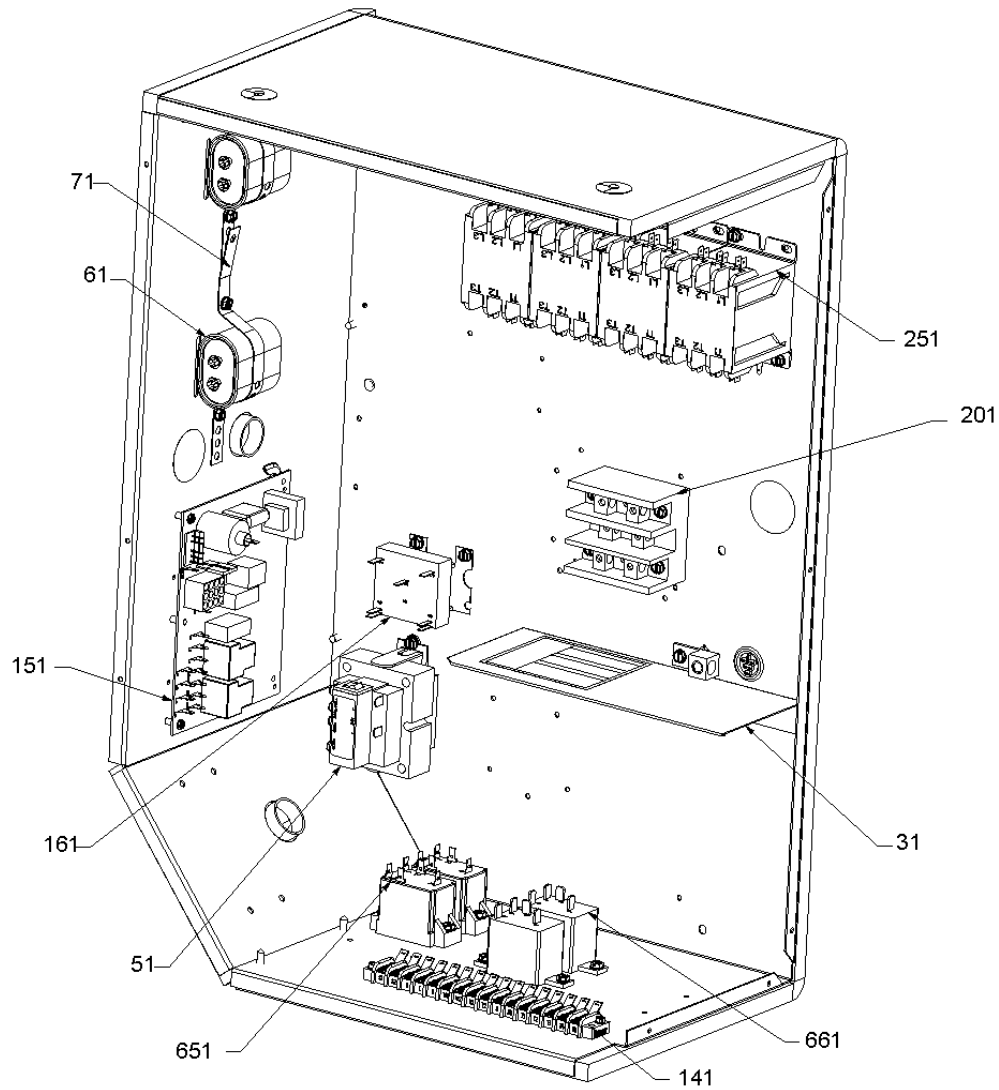
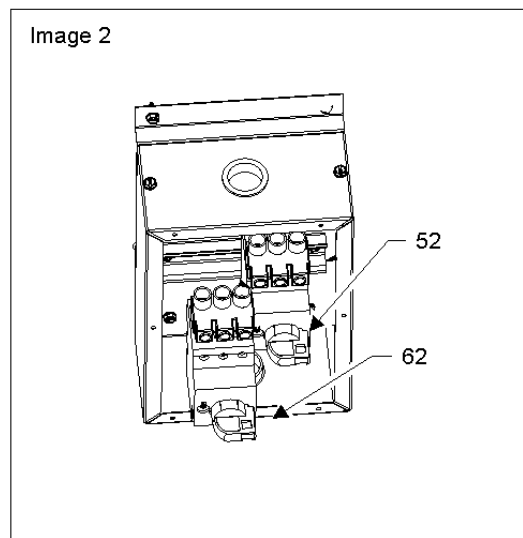


Image 2



Control Box Assembly

Ref. Part No: No:	Description:	Ref. Part No: No:	Description:
-------------------	--------------	-------------------	--------------

Image 1:

31	0121G00491	VOLTAGE BARRIER
51	B1141653	TRANSFORMER 480V, 75VA, RESETTABLE (M2)
51	B1141672	TRANSFORMER 480V, 75VA, RESETTABLE (M1)
51	0130M00045	TRANSFORMER 575/24V (M3, M4)
61	CAP050000370VA	CAPACITOR 5/370V (QTY 2)
71	20520901	CAPACITOR STRAP
141	0130M00038	TERMINAL BOARD
151	PCBAG123	IGNITION BOARD, DSI INTEGRATED
161	0130M00025	24V RELAY
201	16330-3	POWER BLOCK
251	CONT3P025024V	CONTACTOR 25 AMP, 3P, 24V (QTY 4)
651	10135604	RELAY (QTY 2)
661	B1370751	24V RELAY (QTY 2)
NS	0259L00153	2 SPEED CONTROL HARNESS
NS	0259L00155	2 Speed Relay Harness
NS	0259L00146	POWER HARNESS
NS	B1141663	TRANSFORMER 460V TO 230V, 150 VA (M2)

Image 2:

52	0130L00070	ROTARY MANUAL MOTOR PROTECTOR (M3, M4)
52	0130L00084	ROTARY MANUAL MOTOR PROTECTOR (M1)
62	0130L00070	ROTARY MANUAL MOTOR PROTECTOR (M3, M4)
62	0130L00082	ROTARY MANUAL MOTOR PROTECTOR (M2)
NS	0259L00161	CIRCUIT BREAKER HARNESS

Expanded Model Nomenclature

M1 - CPG1202103VXXXAA
M2 - CPG1202104VXXXAA
M3 - CPG1202107VASXAA
M4 - CPG1202107VXXXAA

ACCESSORY PARTS LIST

**Ref. Part
No: No:**

Description:

**Ref. Part
No: No:**

Description:

Image 1:

NS DNECONGS90120 ECONOMIZER DOWNFLOW GAS/AC (M3)

Expanded Model Nomenclature

M1 - CPG1202103VXXXAA

M2 - CPG1202104VXXXAA

M3 - CPG1202107VASXAA

M4 - CPG1202107VXXXAA