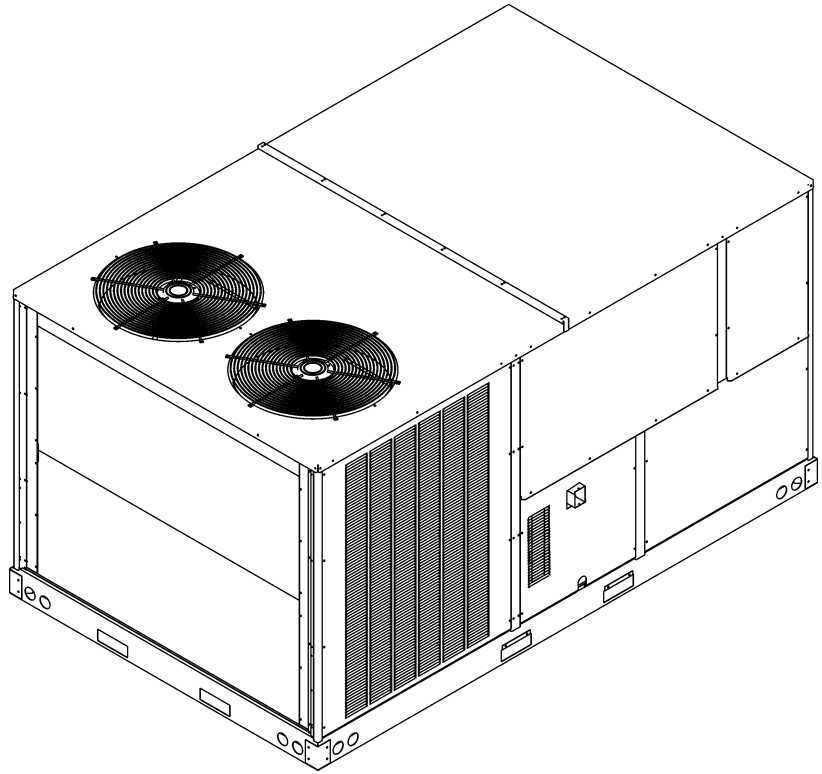


REPAIR PARTS

Commercial 10 Ton Package Gas Units

CPG1202103BAABBA
CPG1202103BABBBA
CPG1202103BAXDBA
CPG1202103BAXMBA
CPG1202103BAXXBA
CPG1202103BJAOBA
CPG1202103BXAXBA
CPG1202103BXJXBA
CPG1202103BXSXBA
CPG1202103BXXBBA
CPG1202103BXXCBA
CPG1202103BXXXBA
CPG1202103BXXZBA
CPG1202103HAABBA
CPG1202103HAAXBA
CPG1202103HXXXBA
CPG1202104BAXCBA
CPG1202104BJANBA
CPG1202104BXJXBA
CPG1202104BXSABA
CPG1202104BXSXBA
CPG1202104BXXFBA
CPG1202104BXXXBA
CPG1202104HXXXBA
CPG1202107BXJXBA
CPG1202107BXSXBA
CPG1202107BXXXBA
CPG1202107HAAXBA
CPG1202107HAJXBA
CPG1202107HAXXBA



This manual is to be used by qualified technicians only.

This manual replaces RP-744A.

© 2012-2013, 2016 Goodman Manufacturing Company, L.P. ♦ 5151 San Felipe St., Suite 500 ♦ Houston, TX 77056

Important Information

Index

Functional Parts List	3
Illustration and Parts	4 - 19

Views shown are for parts illustrations only, not servicing procedures

Text Codes:

AR - As Required

NA - Not Available

NS - Not Shown

00000000 - See Note

QTY - Quantity Example (QTY 3) (If Quantity not shown, Quantity = 1)

M - Model Example (M1) (If M Code not shown, then part is used on all Models)

Expanded Model Nomenclature:

Example M1 - Model#1 M2 - Model#2 M3 - Model#3

Goodman Manufacturing Company, L.P. is not responsible for personal injury or property damage resulting from improper service. Review all service information before beginning repairs.

Warranty service must be performed by an authorized technician, using authorized factory parts. If service is required after the warranty expires, Goodman Manufacturing Company, L.P. also recommends contacting an authorized technician and using authorized factory parts.

Goodman Manufacturing Company, L.P. reserves the right to discontinue, or change at any time, specifications or designs without notice or without incurring obligations.

For assistance within the U.S.A. contact:
Consumer Affairs Department
Goodman Manufacturing Company, L.P.
7401 Security Way
Houston, Texas 77040
877-254-4729-Telephone
713-863-2382-Facsimile

For assistance outside the U.S.A. contact:
International Division
Goodman Manufacturing Company, L.P.
7401 Security Way
Houston, Texas 77040
713-861-2500-Telephone
713-863-2382-Facsimile

Functional Parts

Part

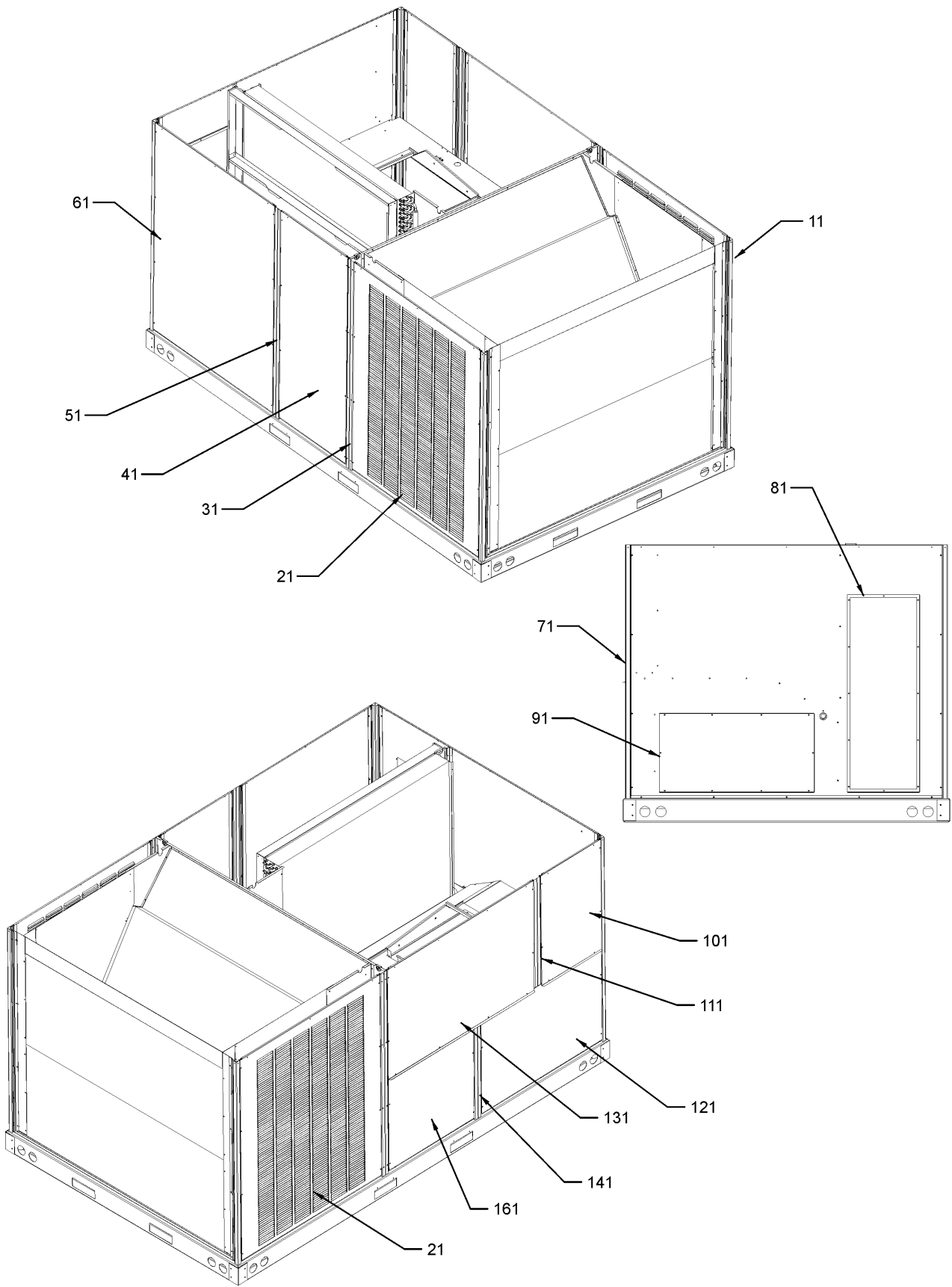
No: Description:

0259L00031	12-PIN HARNESS
0130M00025	24V RELAY
B3240006	BELT DRIVE MOTOR 2 HP (M1, M2, M3, M4, M5, M6, M7, M8, M9, M10, M11, M12, M13, M14, M15, M17, M18, M19, M20, M21, M22, M23)
B3240004	BELT DRIVE MOTOR 2 HP (M16, M24)
0131L00005	BELT DRIVE MOTOR 2 HP 575 V (M25, M26, M27, M28, M29, M30)
03-78497	BLOWER WHEEL
CAP050000370VA	CAPACITOR 5/370V (QTY 2)
ZP51K5ETF5130	COMPRESSOR 51000, 208/230/60/3 (M1, M2, M3, M4, M5, M6, M7, M8, M9, M10, M11, M12, M13, M14, M15, M16)
ZP51K5ETFD130	COMPRESSOR 51000, 460/60/3 (M17, M18, M19, M20, M21, M22, M23, M24)
ZP51K5ETFE130	COMPRESSOR 51000, 575/60/3 (M25, M26, M27, M28, M29, M30)
0131M00008P	COND MOTOR 1/3 HP, 1 SP, 6 PL (M1, M2, M3, M4, M5, M6, M7, M8, M9, M10, M11, M12, M13, M14, M15, M16)
B13400249	COND MOTOR 1/3 HP, 460V (M17, M18, M19, M20, M21, M22, M23, M24)
0131M00179	COND MOTOR 1/3 HP, 6 PL, 575V (M25, M26, M27, M28, M29, M30)
CONT3P025024V	CONTACTOR 25 AMP, 3P, 24V (QTY 3)
0130M00030	CUT-OUT SWITCH, HIGH PRESSURE
0130M00031	CUT-OUT SWITCH, HIGH PRESSURE
0130L00003	CUT-OUT SWITCH, LOW PRESSURE
0130L00002	CUT-OUT SWITCH, LOW PRESSURE
10625733	FAN BLADE 22" ALUM CCW (QTY 2)
0130F00010	FLAME SENSOR
0162L00004	FLOWRATOR [EVAP] (M25, M26, M27, M28, M29, M30)
0162L00011	FLOWRATOR [EVAP] (M1, M2, M3, M4, M5, M6, M7, M8, M9, M10, M11, M12, M13, M14, M15, M16, M17, M18, M19, M20, M21, M22, M23, M24)
0151L00000	GAS VALVE (36H)
PCBAG123	IGNITION BOARD, DSI INTEGRATED
20261709	IGNITOR
10123532	MANUAL RESET LIMIT 350°F
0164L00001	NOTCHED FAN BELT AX49 (M16, M24)
0164L00000	NOTCHED FAN BELT AX51 (M1, M2, M3, M4, M5, M6, M7, M8, M9, M10, M11, M12, M13, M14, M15, M17, M18, M19, M20, M21, M22, M23, M25, M26, M27, M28, M29, M30)
11112501	PRESSURE SWITCH
B1370199	PRIMARY LIMIT SWITCH 190°F
20162904	PRIMARY LIMIT-TEMPERATURE CONTROL
B1141663	TRANSFORMER 460V TO 230V, 150 VA (M17, M18, M19, M20, M21, M22, M23, M24)
B1141653	TRANSFORMER 480V, 75VA, RESETTABLE (M17, M18, M19, M20, M21, M22, M23, M24)
B1141672	TRANSFORMER 480V, 75VA, RESETTABLE (M1, M2, M3, M4, M5, M6, M7, M8, M9, M10, M11, M12, M13, M14, M15, M16)
0130M00044	TRANSFORMER 575/230V (M25, M26, M27, M28, M29, M30)
0130M00045	TRANSFORMER 575/24V (M25, M26, M27, M28, M29, M30)
0131L00002	VENT MOTOR

Expanded Model Nomenclature

M1 - CPG1202103BAABBA
M2 - CPG1202103BABBBBA
M3 - CPG1202103BAXDBA
M4 - CPG1202103BAXMBA
M5 - CPG1202103BAXXBA
M6 - CPG1202103BJAOBA
M7 - CPG1202103BXAXBA
M8 - CPG1202103BXJXBA
M9 - CPG1202103BXSXBA
M10 - CPG1202103BXXBBA
M11 - CPG1202103BXXCBA
M12 - CPG1202103BXXXBA
M13 - CPG1202103BXXZBA
M14 - CPG1202103HAABBA
M15 - CPG1202103HAAXBBA
M16 - CPG1202103HXXXBA
M17 - CPG1202104BAXCBA
M18 - CPG1202104BJANBA
M19 - CPG1202104BXJXBA
M20 - CPG1202104BXSABA
M21 - CPG1202104BXSXBA
M22 - CPG1202104BXXFBA
M23 - CPG1202104BXXXBA
M24 - CPG1202104HXXXBA
M25 - CPG1202107BXJXBA
M26 - CPG1202107BXSXBA
M27 - CPG1202107BXXXBA
M28 - CPG1202107HAAXBBA
M29 - CPG1202107HAJXBA
M30 - CPG1202107HAXXBA

Cabinet Assembly



Cabinet Assembly

Ref. Part No: No:	Description:	Ref. Part No: No:	Description:
-------------------	--------------	-------------------	--------------

Image 1:

11	0121L00065RFDG	CORNER POST (QTY 4)
21	0121L00511DG	LOUVERED SIDE PANEL (QTY 2)
31	0121L00738RFDG	PNT, ROLL FORM SIDE POST (QTY 2)
41	0270L00272	INSUL FILTER DOOR ASSY
51	0121L00739RFDG	PNT, RFORM, FILTER DOOR POST
61	0270L00175	INSULATED ASSY, ECONOMIZER DOOR
71	0270L00180	INSULATED ASSY, DUCT PANEL
81	0270L00041	INSULATED ASSY, SUPPLY DUCT
91	0270L00040	INSULATED ASSY, RETURN DUCT
101	0121L00764DG	PNT, DOOR, CONTROL
111	0121L00762RFDG	RF, PNT, POST, CONTROL BOX
121	0270L00299	INSUL HEAT EXCH DOOR ASSY
131	0270L00298	INSUL BLWR DOOR ASSY
141	0121L00765RFDG	RF, PNT, POST, BURNER BOX
161	0121L00766DG	DOOR, BURNERS, PAINTED
NS	0121L00129	DOOR RAIN SHIELD (M1, M2, M3, M4, M5, M6, M14, M15, M17, M18, M28, M29, M30)

Expanded Model Nomenclature

- M1 - CPG1202103BAABBA
- M2 - CPG1202103BABBBBA
- M3 - CPG1202103BAXDBA
- M4 - CPG1202103BAXMBA
- M5 - CPG1202103BAXXBA
- M6 - CPG1202103BJAOBA
- M7 - CPG1202103BXAXBA
- M8 - CPG1202103BXJXBA
- M9 - CPG1202103BXSXBA
- M10 - CPG1202103BXXBBA
- M11 - CPG1202103BXXCBA
- M12 - CPG1202103BXXXBA
- M13 - CPG1202103BXXZBA
- M14 - CPG1202103HAABBA
- M15 - CPG1202103HAAXBA
- M16 - CPG1202103HXXXBA
- M17 - CPG1202104BAXCBA
- M18 - CPG1202104BJANBA
- M19 - CPG1202104BXJXBA
- M20 - CPG1202104BXSABA
- M21 - CPG1202104BXSXBA
- M22 - CPG1202104BXXFBA
- M23 - CPG1202104BXXXBA
- M24 - CPG1202104HXXXBA
- M25 - CPG1202107BXJXBA
- M26 - CPG1202107BXSXBA
- M27 - CPG1202107BXXXBA
- M28 - CPG1202107HAAXBA
- M29 - CPG1202107HAJXBA
- M30 - CPG1202107HAXXBA

Top Panel / Tubing Assembly

Image 1

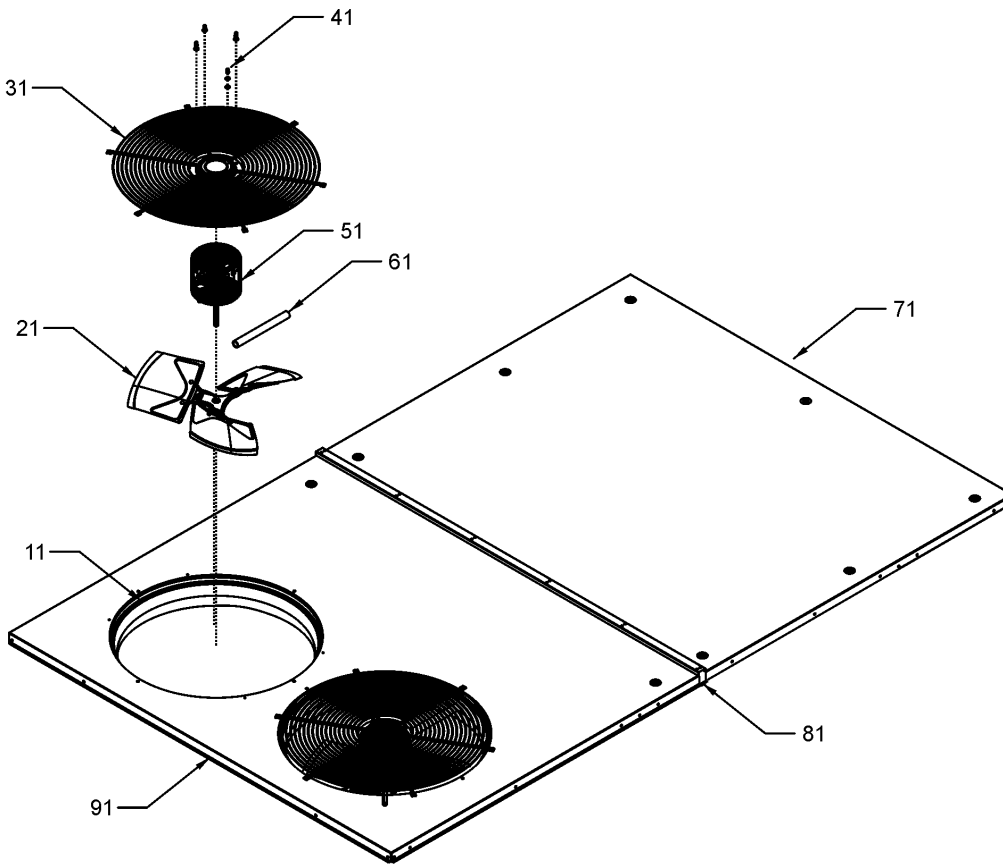
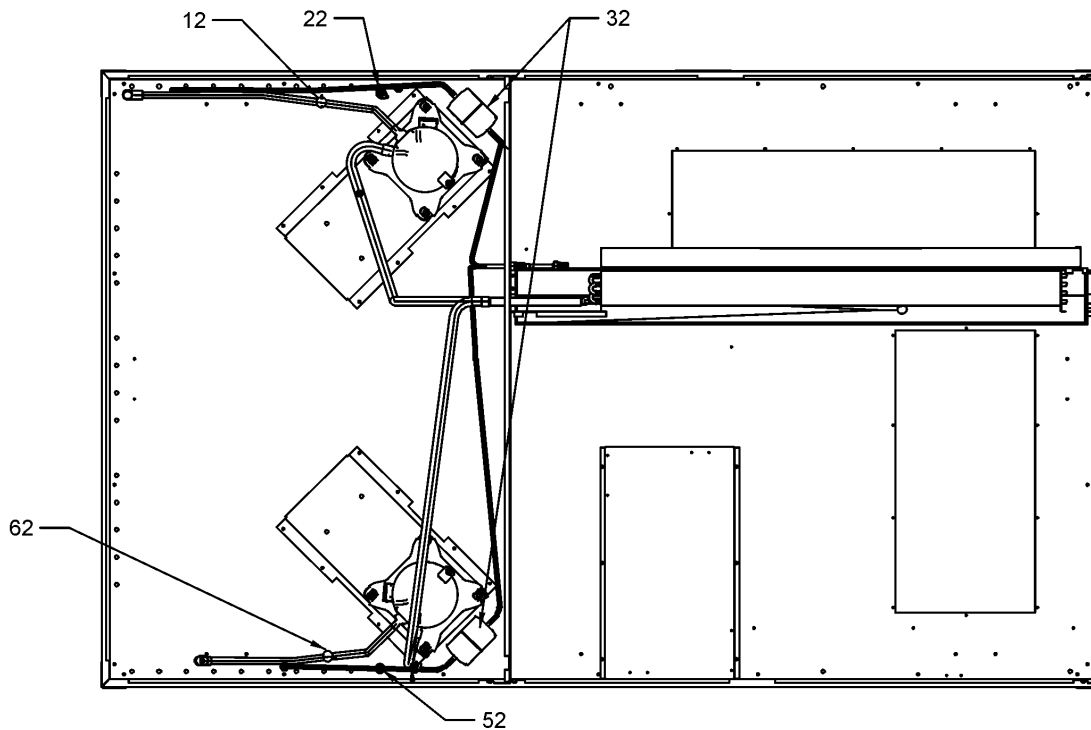


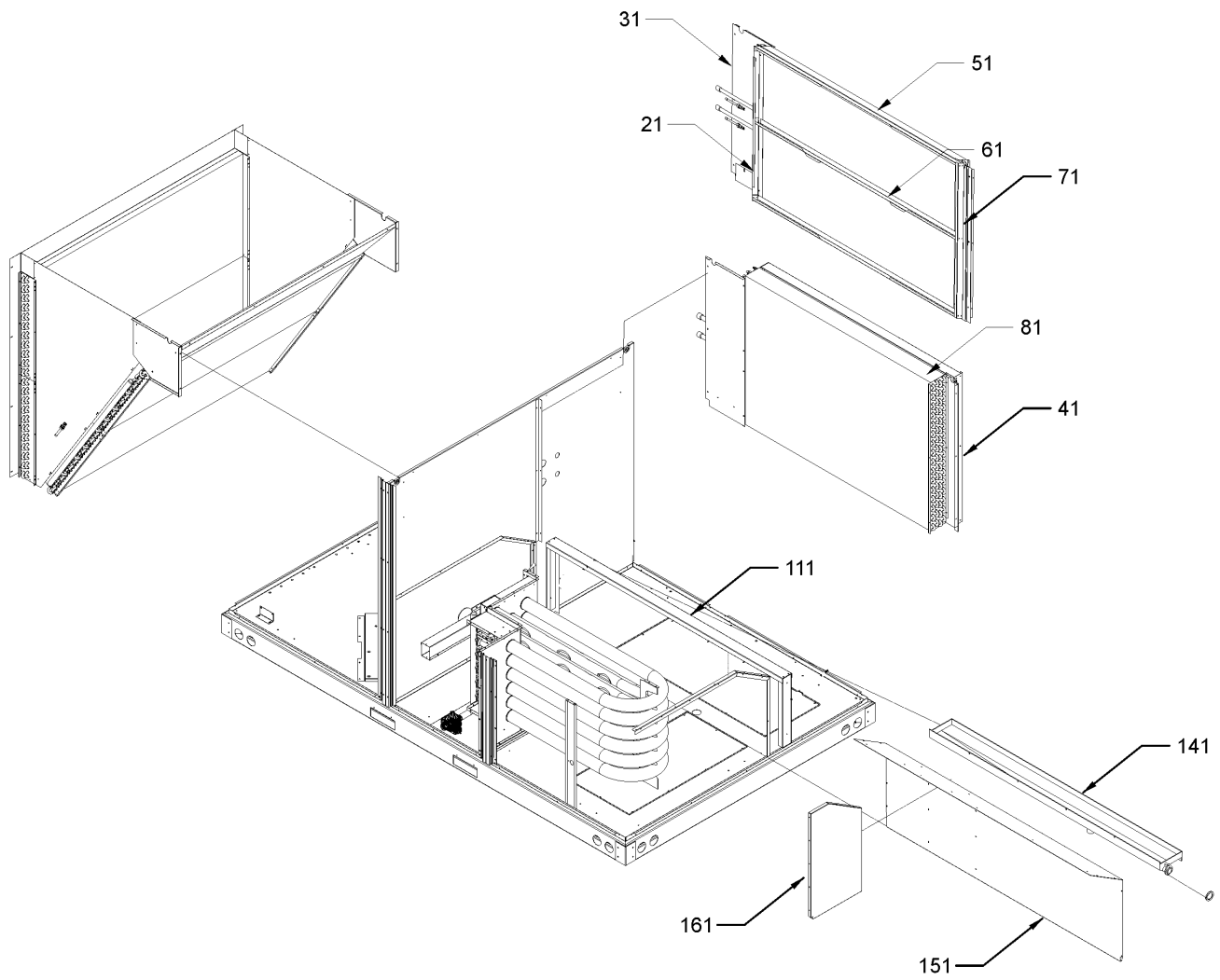
Image 2



Top Panel / Tubing Assembly

Ref. Part No: No:	Description:	Ref. Part No: No:	Description:
Image 1:		Expanded Model Nomenclature	
11	0161L00000 VENTURI RING 22" (QTY 2)	M1	CPG1202103BAABBA
21	10625733 FAN BLADE 22" ALUM C/W (QTY 2)	M2	CPG1202103BABBBBA
31	0152G00003 FAN GRILLE (QTY 2)	M3	CPG1202103BAXDBA
41	0163M00006P ACORN NUT 5/16 HEX BLACK (QTY 8)	M4	CPG1202103BAXMBA
51	0131M00008P COND MOTOR 1/3 HP, 1 SP, 6 PL (M1, M2, M3, M4, M5, M6, M7, M8, M9, M10, M11, M12, M13, M14, M15, M16)	M5	CPG1202103BAXXBA
51	B13400249 COND MOTOR 1/3 HP, 460V (M17, M18, M19, M20, M21, M22, M23, M24)	M6	CPG1202103BJAOBA
51	0131M00179 COND MOTOR 1/3 HP, 6 PL, 575V (M25, M26, M27, M28, M29, M30)	M7	CPG1202103BXAXBA
61	17788000083F PVC CONDUIT 8.25" (QTY 2)	M8	CPG1202103BXJXBA
71	0121L00497DG EVAP TOP PANEL	M9	CPG1202103BXSXBA
81	0121L00114DG SPLICE	M10	CPG1202103BXXBBA
91	0121L01014DG COND TOP PANEL	M11	CPG1202103BXXCBA
NS	0259L00025 COND MOTOR HARNESS 230V (M1, M2, M3, M4, M5, M6, M7, M8, M9, M10, M11, M12, M13, M14, M15, M16, M25, M26, M27, M28, M29, M30)	M12	CPG1202103BXXXBA
NS	0259L00027 COND MOTOR HARNESS 230V (M1, M2, M3, M4, M5, M6, M7, M8, M9, M10, M11, M12, M13, M14, M15, M16, M25, M26, M27, M28, M29, M30)	M13	CPG1202103BXXZBA
NS	0259L00026 COND MOTOR HARNESS 460V (M17, M18, M19, M20, M21, M22, M23, M24)	M14	CPG1202103HAABBA
NS	0259L00028 COND MOTOR HARNESS 460V (M17, M18, M19, M20, M21, M22, M23, M24)	M15	CPG1202103HAAXBBA
		M16	CPG1202103HXXXBA
		M17	CPG1202104BAXCBA
		M18	CPG1202104BJANBA
		M19	CPG1202104BXJXBA
		M20	CPG1202104BXSABA
		M21	CPG1202104BXSXBA
		M22	CPG1202104BXXFBA
		M23	CPG1202104BXXXBA
		M24	CPG1202104HXXXBA
		M25	CPG1202107BXJXBA
		M26	CPG1202107BXSXBA
		M27	CPG1202107BXXXBA
		M28	CPG1202107HAAXBBA
		M29	CPG1202107HAJXBA
		M30	CPG1202107HAXXBA
Image 2:			
12	0130M00031 CUT-OUT SWITCH, HIGH PRESSURE		
22	0130M00030 CUT-OUT SWITCH, HIGH PRESSURE		
32	20485201 BI-FLOW FILTER DRIER		
52	0130L00003 CUT-OUT SWITCH, LOW PRESSURE		
62	0130L00002 CUT-OUT SWITCH, LOW PRESSURE		
NS	B1373315 ACCESS FITTING (QTY 4)		
NS	0163M00175 CAP WITH O-RING (QTY 4)		

Evaporator / Partition Assembly



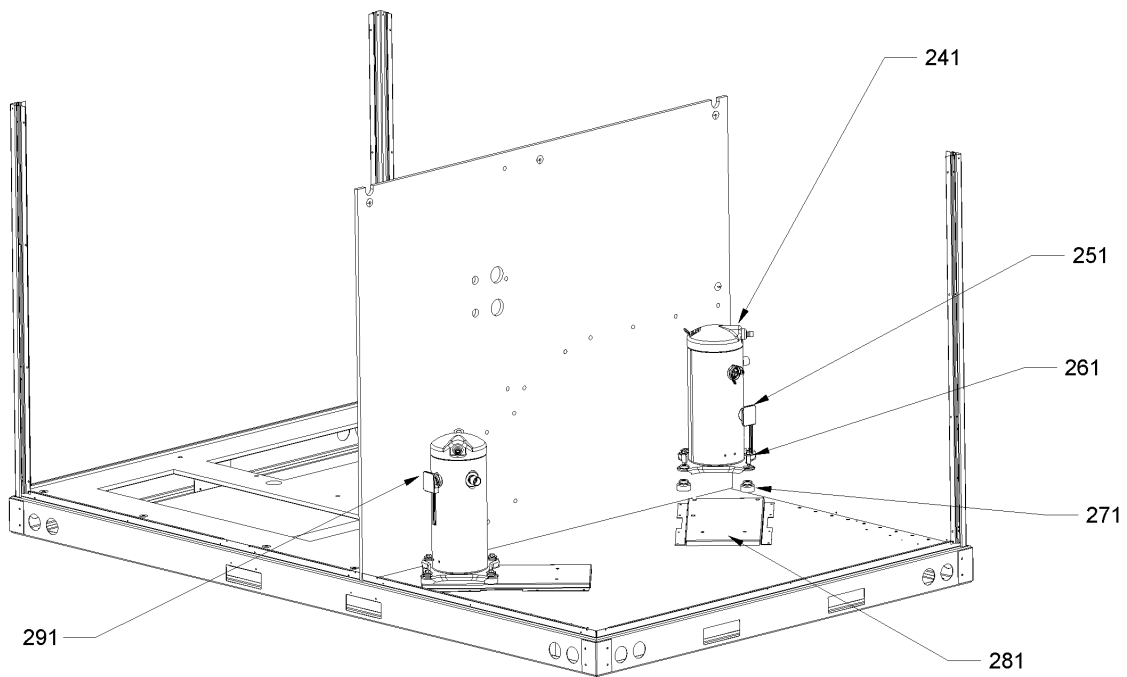
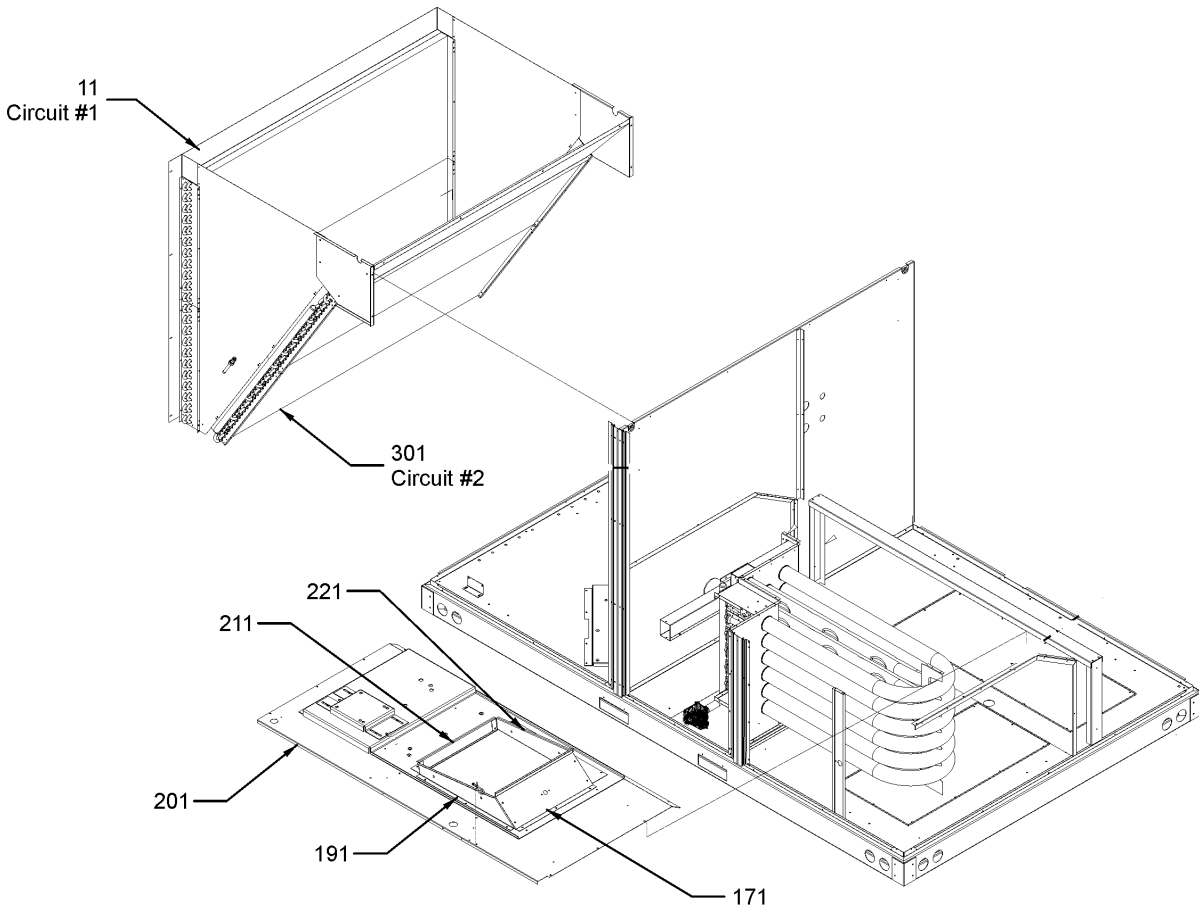
Evaporator / Partition Assembly

Ref. Part No: No:	Description:	Ref. Part No: No:	Description:
Image 1:			
21	0121L00650		FILTER ANGLE-VERTICAL (RETURN SIDE)
31	0121L00210		EVAP EXTENSION-RETURN SIDE
41	0121L00843		EVAP EXTENSION-HAIRPIN SIDE
51	0121L00649		FILTER ANGLE - HORIZONTAL (QTY 2)
61	0121L00648		FILTER ANGLE - HORIZONTAL (CENTER)
71	0121L00358		FILTER ANGLE-VERTICAL (HAIRPIN SIDE)
81	0202L00007S		TUBING ASSY, EVAP COIL
111	0121L00508		DRAIN PAN SUPPORT
141	0161L00002		DRAIN PAN
151	0121L00374		DECK SIDE CHANNEL
161	0121L00522		HEAT EXCHANGER BLOCK-OFF
NS	0160L00021		AIR FILTER (QTY 4)
NS	0162L00004		FLOWRATOR [EVAP] (M25, M26, M27, M28, M29, M30)
NS	0162L00011		FLOWRATOR [EVAP] (M1, M2, M3, M4, M5, M6, M7, M8, M9, M10, M11, M12, M13, M14, M15, M16, M17, M18, M19, M20, M21, M22, M23, M24)

Expanded Model Nomenclature

- M1 - CPG1202103BAABBA
- M2 - CPG1202103BABBBA
- M3 - CPG1202103BAXDBA
- M4 - CPG1202103BAXMBA
- M5 - CPG1202103BAXXBA
- M6 - CPG1202103BJAOBA
- M7 - CPG1202103BXAXBA
- M8 - CPG1202103BXJXBA
- M9 - CPG1202103BXSXBA
- M10 - CPG1202103BXXBBA
- M11 - CPG1202103BXXCBA
- M12 - CPG1202103BXXXBA
- M13 - CPG1202103BXXZBA
- M14 - CPG1202103HAABBA
- M15 - CPG1202103HAAXBA
- M16 - CPG1202103HXXXBA
- M17 - CPG1202104BAXCBA
- M18 - CPG1202104BJANBA
- M19 - CPG1202104BXJXBA
- M20 - CPG1202104BXSABA
- M21 - CPG1202104BXSXBA
- M22 - CPG1202104BXXFBA
- M23 - CPG1202104BXXXBA
- M24 - CPG1202104HXXXBA
- M25 - CPG1202107BXJXBA
- M26 - CPG1202107BXSXBA
- M27 - CPG1202107BXXXBA
- M28 - CPG1202107HAAXBA
- M29 - CPG1202107HAJXBA
- M30 - CPG1202107HAXXBA

Condenser / Partition Assembly



Condenser / Partition Assembly

**Ref. Part
No: No:**

Description:

**Ref. Part
No: No:**

Description:

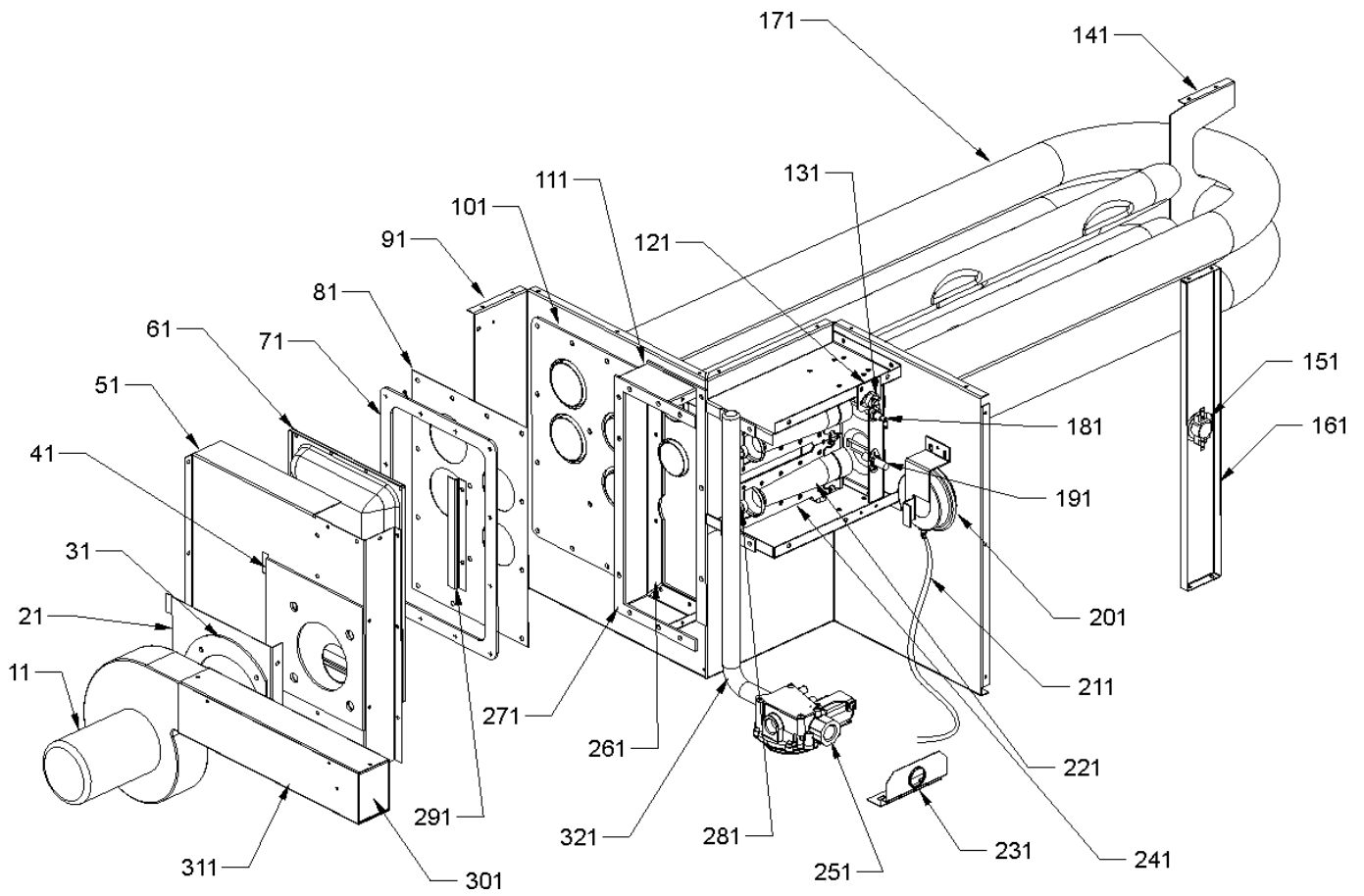
Image 1:

11	0201L00130	COND COIL ASSY, 5MM (M1, M3, M4, M5, M6, M7, M9, M10, M11, M12, M13, M14, M15, M16, M17, M18, M20, M21, M22, M23, M24, M26, M27, M28, M30)
11	0201L00174	COND COIL ASSY, 5MM UG (M2, M8, M19, M25, M29)
171	0121L00168	BLOWER TRANSITION, RH END
191	0121L00092	BLOWER TRANSITION, FRONT
201	0121L00928	DECK-BLOWER
211	0121L00169	BLOWER TRANSITION, LH END
221	0121L00094	BLOWER TRANSITION, BACK
241	ZP51K5ETF5130	COMPRESSOR 51000, 208/230/60/3 (M1, M2, M3, M4, M5, M6, M7, M8, M9, M10, M11, M12, M13, M14, M15, M16)
241	ZP51K5ETFD130	COMPRESSOR 51000, 460/60/3 (M17, M18, M19, M20, M21, M22, M23, M24)
241	ZP51K5ETFE130	COMPRESSOR 51000, 575/60/3 (M25, M26, M27, M28, M29, M30)
251	0159L00004	COMPRESSOR SCROLL HARNESS
261	M0221641	TF SHOULDER SCREW
271	B1339533	COMPRESSOR GROMMET (QTY 8)
281	0121L00408	COMPRESSOR MOUNTING PLATE (QTY 2)
291	0159L00005	COMPRESSOR SCROLL HARNESS
301	0201L00136	COND COIL ASSY, 5MM C2 (M1, M3, M4, M5, M6, M7, M9, M10, M11, M12, M13, M14, M15, M16, M17, M18, M20, M21, M22, M23, M24, M26, M27, M28, M30)
301	0201L00175	COND COIL ASSY, 5MM UG (M2, M8, M19, M25, M29)

Expanded Model Nomenclature

M1 - CPG1202103BAABBA
M2 - CPG1202103BABBBBA
M3 - CPG1202103BAXDBA
M4 - CPG1202103BAXMBA
M5 - CPG1202103BAXXBA
M6 - CPG1202103BJAOBA
M7 - CPG1202103BXAXBA
M8 - CPG1202103BXJXBA
M9 - CPG1202103BXSXBA
M10 - CPG1202103BXXBBA
M11 - CPG1202103BXXCBA
M12 - CPG1202103BXXXBA
M13 - CPG1202103BXXZBA
M14 - CPG1202103HAABBA
M15 - CPG1202103HAAXBBA
M16 - CPG1202103HXXXBA
M17 - CPG1202104BAXCBA
M18 - CPG1202104BJANBA
M19 - CPG1202104BXJXBA
M20 - CPG1202104BXSABA
M21 - CPG1202104BXSXBA
M22 - CPG1202104BXXFBA
M23 - CPG1202104BXXXBA
M24 - CPG1202104HXXXBA
M25 - CPG1202107BXJXBA
M26 - CPG1202107BXSXBA
M27 - CPG1202107BXXXBA
M28 - CPG1202107HAAXBBA
M29 - CPG1202107HAJXBA
M30 - CPG1202107HAXXBA

Heat Exchanger Assembly



Heat Exchanger Assembly

**Ref. Part
No: No:**

Description:

**Ref. Part
No: No:**

Description:

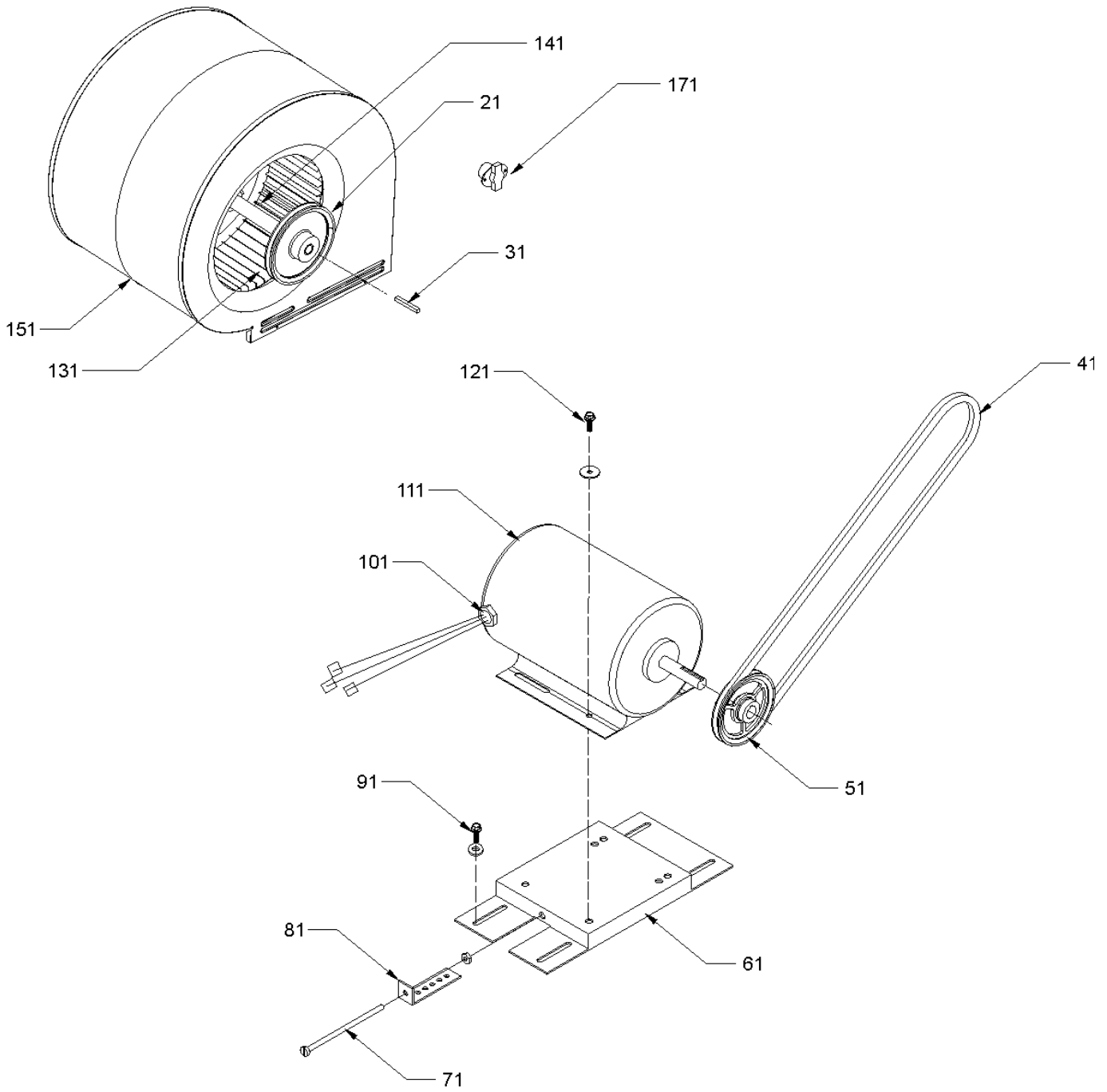
Image 1:

11	0131L00002	VENT MOTOR
21	0121L00080	MOUNTING PLATE-ID BLOWER
31	0154L00007	GASKET, BLOWER/ORIFICE PLATE
41	0154L00006	GASKET, COLLECTOR/ORIFICE PLATE
51	0121L00077	COLLECTOR BOX COVER
61	0121L00072	REAR COVER, HEAT EXCHANGER
71	0154L00010	REAR COVER GASKET, HEAT EXCHANGER
81	0121L00133	TUBE PLATE, HEAT EXCHANGER
91	0121L00033	PANEL-HT TUBES, 6 BURNER
101	0154L00015	TUBE PLATE GASKET, HEAT EXCHANGER
111	0121L00076	COLLECTOR BOX CHANNEL
121	0121L00323	FLAME ROLLOUT BRACKET
131	10123532	MANUAL RESET LIMIT 350°F
141	0121L00091	HEAT EXCHANGER TUBES SUPPORT
151	B1370199	PRIMARY LIMIT SWITCH 190°F
161	0121L00093	POST-LIMIT SWITCH
171	0270L00043	HEAT EXCHANGER ASSY 6B (M1, M2, M3, M4, M5, M6, M7, M8, M10, M11, M12, M13, M14, M15, M16, M17, M18, M19, M22, M23, M24, M25, M27, M28, M29, M30)
171	0270L00171	HEAT EXCHANGER ASSY 6B (M9, M20, M21, M26)
181	0130F00010	FLAME SENSOR
191	20261709	IGNITOR
201	11112501	PRESSURE SWITCH
211	A3468601	PRESSURE SWITCH HOSE
221	0163L00000	BECKETT BURNER (QTY 6)
231	0121L00147	PIPE BRACKET-GAS VALVE
241	0121G00268	BRACKET-BURNER TOP/BOT (QTY 2)
251	0151L00000	GAS VALVE (36H)
261	0154L00011	INNER GASKET, COLLECTOR BOX
271	0154L00012	OUTER GASKET, COLLECTOR BOX
281	0163L00007	ORIFICE #34 DRILL (QTY 6)
291	0121L00073	TUBE RESTRICTOR
301	0163L00006	FLUE SCREEN
311	0121L00049	HEAT EXCHANGER FLUE (QTY 2)
321	0163L00010	MANIFOLD - 6 BRNR
NS	0121L00130DG	FLUE COLLAR
NS	B1392609	SEAL STRIP, RED, 1/8 X 1/2 X 100 (QTY 3)

Expanded Model Nomenclature

M1 - CPG1202103BAABBA
M2 - CPG1202103BABBBA
M3 - CPG1202103BAXDBA
M4 - CPG1202103BAXMBA
M5 - CPG1202103BAXXBA
M6 - CPG1202103BJAOBA
M7 - CPG1202103BXAXBA
M8 - CPG1202103BXJXBA
M9 - CPG1202103BXSXBA
M10 - CPG1202103BXXBBA
M11 - CPG1202103BXXCBA
M12 - CPG1202103BXXXBA
M13 - CPG1202103BXXZBA
M14 - CPG1202103HAABBA
M15 - CPG1202103HAAXBA
M16 - CPG1202103HXXXBA
M17 - CPG1202104BAXCBA
M18 - CPG1202104BJANBA
M19 - CPG1202104BXJXBA
M20 - CPG1202104BXSABA
M21 - CPG1202104BXSXBA
M22 - CPG1202104BXXFBA
M23 - CPG1202104BXXXBA
M24 - CPG1202104HXXXBA
M25 - CPG1202107BXJXBA
M26 - CPG1202107BXSXBA
M27 - CPG1202107BXXXBA
M28 - CPG1202107HAAXBA
M29 - CPG1202107HAJXBA
M30 - CPG1202107HAXXBA

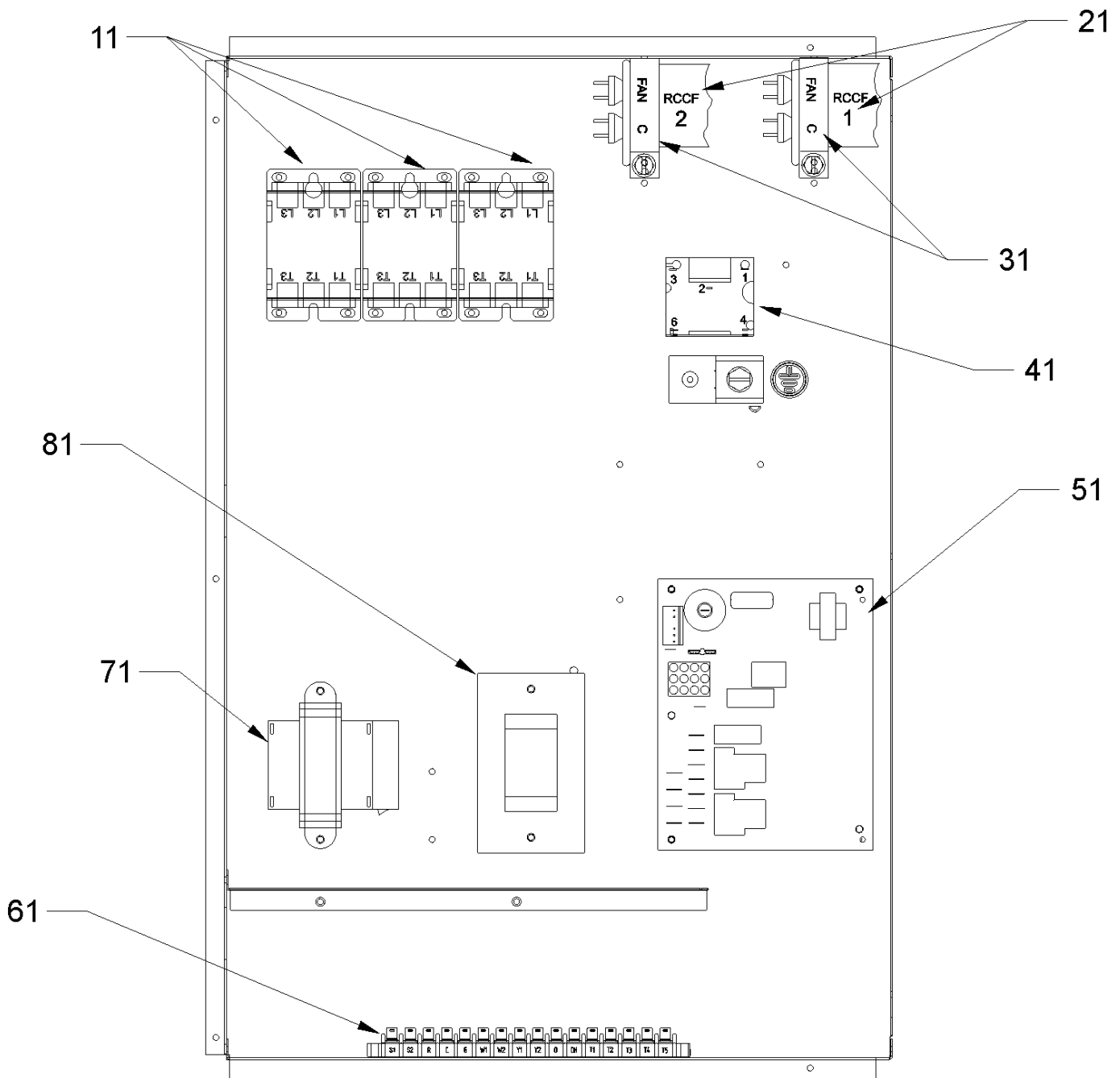
Belt Drive Blower / Motor Assembly



Belt Drive Blower / Motor Assembly

Ref. Part No: No:	Description:	Ref. Part No: No:	Description:
Image 1:		Expanded Model Nomenclature	
21	B3204303	FIXED SHEAVE AK61 (M15, M24)	M1 - CPG1202103BAABBA
21	0163L00011	FIXED SHEAVE AK74 (M1, M2, M3, M4, M5, M6, M7, M8, M9, M10, M11, M12, M13, M14, M16, M17, M18, M19, M20, M21, M22, M23, M25, M26, M27, M28, M29, M30)	M2 - CPG1202103BABBBBA
31	B1398604	STEEL KEY (000158812) 2.0"	M3 - CPG1202103BAXDBA
41	0164L00001	NOTCHED FAN BELT AX49 (M16, M24)	M4 - CPG1202103BAXMBA
41	0164L00000	NOTCHED FAN BELT AX51 (M1, M2, M3, M4, M5, M6, M7, M8, M9, M10, M11, M12, M13, M14, M15, M17, M18, M19, M20, M21, M22, M23, M25, M26, M27, M28, M29, M30)	M5 - CPG1202103BAXXBA
51	B2120014	VARIABLE PITCH SHEAVE 1VL44 X 7/8" (M16, M24)	M6 - CPG1202103BJAOBA
51	0163L00012	VARIABLE PITCH SHEAVE VL40 (M1, M2, M3, M4, M5, M6, M7, M8, M9, M10, M11, M12, M13, M14, M15, M17, M18, M19, M20, M21, M22, M23, M25, M26, M27, M28, M29, M30)	M7 - CPG1202103BXAXBA
61	0270L00015	MOTOR BASE ASSY	M8 - CPG1202103BXJXBA
71	0163M00045	BOLT 1/4-20 X 4"	M9 - CPG1202103BXSXBA
81	3225000F	BELT TIGHTENER ANGLE	M10 - CPG1202103BXXBBA
91	B1446707	SCREW 5/16-18 X 1" (QTY 4)	M11 - CPG1202103BXXCBA
101	B1393726	ELECT. CONNECTING BUSHING	M12 - CPG1202103BXXXBA
111	B3240004	BELT DRIVE MOTOR 2 HP (M16, M24)	M13 - CPG1202103BXXZBA
111	B3240006	BELT DRIVE MOTOR 2 HP (M1, M2, M3, M4, M5, M6, M7, M8, M9, M10, M11, M12, M13, M14, M15, M17, M18, M19, M20, M21, M22, M23)	M14 - CPG1202103HAABBA
111	0131L00005	BELT DRIVE MOTOR 2 HP 575 V (M25, M26, M27, M28, M29, M30)	M15 - CPG1202103HAAXBA
121	B1393738	BOLT 1/4-20 X 3/4" (QTY 4)	M16 - CPG1202103HXXXBA
131	03-78497	BLOWER WHEEL	M17 - CPG1202104BAXCBA
141	04-11526	BLOWER SHAFT	M18 - CPG1202104BJANBA
151	04-01526	BLOWER HOUSING	M19 - CPG1202104BXJXBA
171	20162904	PRIMARY LIMIT-TEMPERATURE CONTROL	M20 - CPG1202104BXSABA
NS	04-02196	BLOWER BEARING & FRAME ASSY	M21 - CPG1202104BXSXBA
NS	0259L00008	MOTOR HARNESS-BELT DRIVE	M22 - CPG1202104BXXFBA
			M23 - CPG1202104BXXXBA
			M24 - CPG1202104HXXXBA
			M25 - CPG1202107BXJXBA
			M26 - CPG1202107BXSXBA
			M27 - CPG1202107BXXXBA
			M28 - CPG1202107HAAXBA
			M29 - CPG1202107HAJXBA
			M30 - CPG1202107HAXXBA

Control Box Assembly



Control Box Assembly

Ref. Part No: No:	Description:	Ref. Part No: No:	Description:
Image 1:		Expanded Model Nomenclature	
11	CONT3P025024V CONTACTOR 25 AMP, 3P, 24V (QTY 3)	M1	CPG1202103BAABBA
21	CAP050000370VA CAPACITOR 5/370V (QTY 2)	M2	CPG1202103BABBBA
31	20520901 CAPACITOR STRAP (QTY 2)	M3	CPG1202103BAXDBA
41	0130M00025 24V RELAY	M4	CPG1202103BAXMBA
51	PCBAG123 IGNITION BOARD, DSI INTEGRATED	M5	CPG1202103BAXXBA
61	0130M00038 TERMINAL BOARD	M6	CPG1202103BJAOBA
71	B1141653 TRANSFORMER 480V, 75VA, RESETTABLE (M17, M18, M19, M20, M21, M22, M23, M24)	M7	CPG1202103BXAXBA
71	B1141672 TRANSFORMER 480V, 75VA, RESETTABLE (M1, M2, M3, M4, M5, M6, M7, M8, M9, M10, M11, M12, M13, M14, M15, M16)	M8	CPG1202103BXJXBA
71	0130M00045 TRANSFORMER 575/24V (M25, M26, M27, M28, M29, M30)	M9	CPG1202103BXSXBA
81	B1141663 TRANSFORMER 460V TO 230V, 150 VA (M17, M18, M19, M20, M21, M22, M23, M24)	M10	CPG1202103BXXBBA
81	0130M00044 TRANSFORMER 575/230V (M25, M26, M27, M28, M29, M30)	M11	CPG1202103BXXCBA
NS	0259L00031 12-PIN HARNESS	M12	CPG1202103BXXXBA
NS	0259L00021 CONTROL HARNESS (M17, M18, M19, M20, M21, M22, M23, M24, M25, M26, M27, M28, M29, M30)	M13	CPG1202103BXXZBA
NS	0259L00022 CONTROL HARNESS (M1, M2, M3, M4, M5, M6, M7, M8, M9, M10, M11, M12, M13, M14, M15, M16)	M14	CPG1202103HAABBA
NS	0259L00033 ECONOMIZER HARNESS	M15	CPG1202103HAAXBBA
		M16	CPG1202103HXXXBA
		M17	CPG1202104BAXCBA
		M18	CPG1202104BJANBA
		M19	CPG1202104BXJXBA
		M20	CPG1202104BXSABA
		M21	CPG1202104BXSXBA
		M22	CPG1202104BXXFBA
		M23	CPG1202104BXXXBA
		M24	CPG1202104HXXXBA
		M25	CPG1202107BXJXBA
		M26	CPG1202107BXSXBA
		M27	CPG1202107BXXXBA
		M28	CPG1202107HAAXBBA
		M29	CPG1202107HAJXBA
		M30	CPG1202107HAXXBA

ACCESSORY PARTS LIST

ACCESSORY PARTS

Ref. Part No:	Description:	Ref. Part No:	Description:
Image 1:			
NS 0130M00065	CIRCUIT BREAKER, CONVENIENCE OUTLET (M1, M2, M4, M6, M10, M14, M18)		
NS 0270L00274	CONVENIENCE OUTLET ASSY-NP (M1, M2, M4, M6, M10, M14, M18, M20, M22)		
NS DSC060B53Y001FI	DISCONNECT MODULE ASSY (M18)		
NS DSC100B53Y001FI	DISCONNECT MODULE ASSY (M6)		
NS DNECONGS90120	ECONOMIZER DOWNFLOW GAS/AC (M1, M2, M3, M4, M5, M6, M14, M15, M17, M18, M28, M29, M30)		
NS HAILGD02FI	HAIL GUARD ASSY (M1, M2, M6, M7, M14, M15, M18, M28)		
NS LAKT03	LOW AMBIENT KIT (M11)		
NS LAKT03	LOW AMBIENT KIT (M4, M17, M22)		
NS SDRKT01FI75T12	SMOKE DETECTOR ASSEMBLY (M3, M18)		
NS SDSRKT01FI75T12	SMOKE DETECTOR ASSEMBLY (M6, M13)		
NS 0130M00061	TRANSFORMER, CONVENIENCE OUTLET (M1, M2, M4, M6, M10, M14, M18)		

Expanded Model Nomenclature

- M1 - CPG1202103BAABBA
- M2 - CPG1202103BABBBA
- M3 - CPG1202103BAXDBA
- M4 - CPG1202103BAXMBA
- M5 - CPG1202103BAXXBA
- M6 - CPG1202103BJAOBA
- M7 - CPG1202103BXAXBA
- M8 - CPG1202103BXJXBA
- M9 - CPG1202103BXSXBA
- M10 - CPG1202103BXXBBA
- M11 - CPG1202103BXXCBA
- M12 - CPG1202103BXXXBA
- M13 - CPG1202103BXXZBA
- M14 - CPG1202103HAABBA
- M15 - CPG1202103HAAXBA
- M16 - CPG1202103HXXXBA
- M17 - CPG1202104BAXCBA
- M18 - CPG1202104BJANBA
- M19 - CPG1202104BXJXBA
- M20 - CPG1202104BXSABA
- M21 - CPG1202104BXSXBA
- M22 - CPG1202104BXXFBA
- M23 - CPG1202104BXXXBA
- M24 - CPG1202104HXXXBA
- M25 - CPG1202107BXJXBA
- M26 - CPG1202107BXSXBA
- M27 - CPG1202107BXXXBA
- M28 - CPG1202107HAAXBA
- M29 - CPG1202107HAJXBA
- M30 - CPG1202107HAXXBA