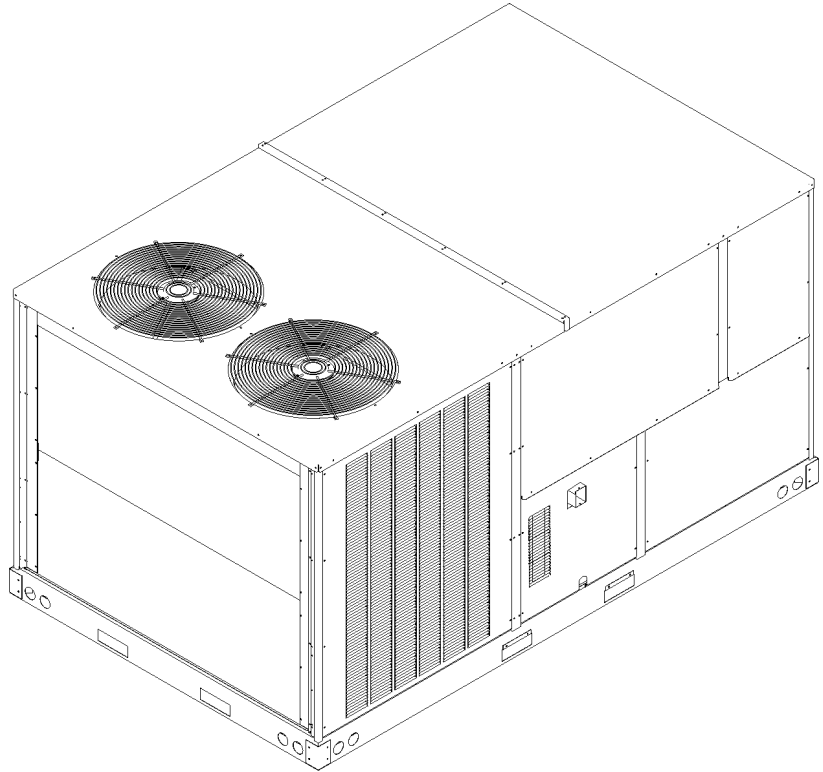


REPAIR PARTS

Commercial 7.5-12.5 Ton Package Gas Units

CPG0902103BAXXBB
CPG0902103BXAXBB
CPG0902103BXSXBB
CPG0902103BXXCBB
CPG0902103BXXXBB
CPG0902104BXDCBB
CPG0902104BXSXBB
CPG0902104BXXXBB
CPG0902107BXSXBB
CPG0902107BXXXBB
CPG1022103BHJXAB
CPG1022103BXSXAB
CPG1022103BXXXAB
CPG1022103HXXXAB
CPG1022104BXSXAB
CPG1022104BXXXAB
CPG1022107BAXXAB
CPG1022107BXSXAB
CPG1202103BJXOBA
CPG1202103BXXXAB
CPG1202104BXXEBA
CPG1202104BXXXAB
CPG1202107BXXXAB
CPG1502103BXSXAB
CPG1502103BXXXAB
CPG1502103HXXXAB
CPG1502104BXSXAB
CPG1502104BXXXAB
CPG1502107BXSXAB
CPG1502107BXXXAB



This manual is to be used by qualified technicians only.

This manual replaces RP-713C.

© 2012-2013, 2016 Goodman Manufacturing Company, L.P. ♦ 5151 San Felipe St., Suite 500 ♦ Houston, TX 77056

Important Information

Index

Functional Parts List	3
Illustration and Parts	4 - 19

Views shown are for parts illustrations only, not servicing procedures

Text Codes:

AR - As Required

NA - Not Available

NS - Not Shown

00000000 - See Note

QTY - Quantity Example (QTY 3) (If Quantity not shown, Quantity = 1)

M - Model Example (M1) (If M Code not shown, then part is used on all Models)

Expanded Model Nomenclature:

Example M1 - Model#1 M2 - Model#2 M3 - Model#3

Goodman Manufacturing Company, L.P. is not responsible for personal injury or property damage resulting from improper service. Review all service information before beginning repairs.

Warranty service must be performed by an authorized technician, using authorized factory parts. If service is required after the warranty expires, Goodman Manufacturing Company, L.P. also recommends contacting an authorized technician and using authorized factory parts.

Goodman Manufacturing Company, L.P. reserves the right to discontinue, or change at any time, specifications or designs without notice or without incurring obligations.

For assistance within the U.S.A. contact:
Consumer Affairs Department
Goodman Manufacturing Company, L.P.
7401 Security Way
Houston, Texas 77040
877-254-4729-Telephone
713-863-2382-Facsimile

For assistance outside the U.S.A. contact:
International Division
Goodman Manufacturing Company, L.P.
7401 Security Way
Houston, Texas 77040
713-861-2500-Telephone
713-863-2382-Facsimile

Functional Parts

Part

No: Description:

Part No:	Description:	Part No:	Description:
0130M00025	24V RELAY	0130L00002	CUT-OUT SWITCH, LOW PRESSURE (M1, M2, M3, M4, M5, M6, M7, M8, M9, M10, M11, M12, M13, M14, M15, M16, M17, M18, M20, M22, M23)
B3240007	BELT DRIVE MOTOR 1.5 HP (M1, M2, M3, M4, M5, M6, M7, M8)	0130L00003	CUT-OUT SWITCH, LOW PRESSURE (M1, M2, M3, M4, M5, M6, M7, M8, M9, M10, M11, M12, M13, M14, M15, M16, M17, M18, M19, M20, M21, M22, M23)
0131L00004	BELT DRIVE MOTOR 1.5 HP 575V (M9, M10)	0150G00001	FAN BLADE (M1, M2, M3, M4, M5, M6, M7, M8, M9, M10, M11, M12, M13, M14, M15, M16, M17, M18)
B3240006	BELT DRIVE MOTOR 2 HP (M11, M12, M13, M14, M15, M16, M19, M20, M21, M22)	10625733	FAN BLADE 22" ALUM CCW (M19, M20, M21, M22, M23, M24, M25, M26, M27, M28, M29, M30)
B3240004	BELT DRIVE MOTOR 2 HP (M24, M25, M26, M27, M28)	0130F00010	FLAME SENSOR
0131L00005	BELT DRIVE MOTOR 2 HP 575 V (M17, M18, M23)	0151L00000	GAS VALVE (36H)
0131L00006	BELT DRIVE MOTOR 3 HP 575 V (M29, M30)	PCBAG123	IGNITION BOARD, DSI INTEGRATED
03-77429	BLOWER WHEEL (M1, M2, M3, M4, M5, M6, M7, M8, M9, M10, M11, M12, M13, M14, M15, M16, M17, M18)	20261709	IGNITOR
03-78497	BLOWER WHEEL (M19, M20, M21, M22, M23, M24, M25, M26, M27, M28, M29, M30)	0164L00001	NOTCHED FAN BELT AX49 (M24, M25, M26, M27, M28, M29, M30)
CAP100000370LA	CAPACITOR 10/370V (M24, M25, M26)	0164L00000	NOTCHED FAN BELT AX51 (M1, M2, M3, M4, M5, M6, M7, M8, M9, M10, M11, M12, M13, M14, M15, M16, M17, M18, M19, M20, M21, M22, M23)
CAP050000370VA	CAPACITOR 5/370V (QTY 2)	11112501	PRESSURE SWITCH
ZP67KCETFD830	COMP, 67000,460/60/3 (M27, M28)	0130F00036	PRIMARY LIMIT - PINK (M1, M2, M3, M4, M5, M6, M7, M8, M9, M10, M11, M12, M13, M14, M15, M16, M17, M18, M24, M25, M26, M27, M28, M29, M30)
ZP67KCETF5830	COMP, 67500,200/230/60/3 (M24, M25, M26)	B1370187	PRIMARY LIMIT SWITCH 160°F (M24, M25, M26, M27, M28, M29, M30)
ZP39K5ETF5830	COMPRESSOR 39000, 200/230/60/3 (M1, M2, M3, M4, M5)	B1370199	PRIMARY LIMIT SWITCH 190°F (M1, M2, M3, M4, M5, M6, M7, M8, M9, M10, M11, M12, M13, M14, M15, M16, M17, M18, M19, M20, M21, M22, M23)
ZP39K5ETFD130	COMPRESSOR 39000, 460/60/3 (M6, M7, M8)	0130M00144	TRANSFORMER (M1, M2, M3, M4, M5, M11, M12, M13, M14, M19, M20, M24, M25, M26)
ZP39K5ETF5830	COMPRESSOR 39000, 575/60/3 (M9, M10)	B1141663	TRANSFORMER 460V TO 230V, 150 VA (M6, M7, M8, M15, M16, M21, M22, M27, M28)
ZP44K5ETF5130	COMPRESSOR 44000, 200/230/60/3 (M11, M12, M13, M14)	0130M00145	TRANSFORMER 480V to 24V, 75VA (M6, M7, M8, M15, M16, M21, M22, M27, M28)
ZP44K5ETFD130	COMPRESSOR 44000, 460/60/3 (M15, M16)	0130M00044	TRANSFORMER 575/230V (M9, M10, M17, M18, M23, M29, M30)
ZP44K5ETF5130	COMPRESSOR 44000, 575/60/3 (M17, M18)	0130M00148	TRANSFORMER 575V to 24V, 75VA (M9, M10, M17, M18, M23, M29, M30)
ZP51K5ETF5130	COMPRESSOR 51000, 208/230/60/3 (M19, M20)	0131L00002	VENT MOTOR
ZP51K5ETFD830	COMPRESSOR 51000, 460/60/3 (M21, M22)		
ZP51K5ETF5830	COMPRESSOR 51000, 575/60/3 (M23)		
ZP67KCETF5830	COMPRESSOR 67500, 575/60/3 (M29, M30)		
0131M00430	COND MOTOR 1/3 HP, 1 SP, 6 PL (M19, M20, M24, M25, M26)		
B13400249	COND MOTOR 1/3 HP, 460V (M21, M22, M27, M28)		
0131M00179	COND MOTOR 1/3 HP, 6 PL, 575V (M23, M29, M30)		
0131M00429	COND MOTOR 1/4 HP, 1 SP, 6 PL (M1, M2, M3, M4, M5, M11, M12, M13, M14)		
B13400269	COND MOTOR 380/460 50/60 CYCLE (M6, M7, M8, M15, M16)		
0131M00098	COND MOTOR 575V (M9, M10, M17, M18)		
CONT3P025024V	CONTACTOR 25 AMP, 3P, 24V (M1, M2, M3, M4, M5, M6, M7, M8, M9, M10, M11, M12, M13, M14, M15, M16, M17, M18, M19, M20, M21, M22, M23, M27, M28, M29, M30)		
CONT3P030024V	CONTACTOR 30 AMP, 3P, 24V (M24, M25, M26)		
0130M00030	CUT-OUT SWITCH, HIGH PRESSURE (M1, M2, M3, M4, M5, M6, M7, M8, M9, M10, M11, M12, M13, M14, M15, M16, M17, M18, M19, M20, M21, M22, M23)		
0130M00031	CUT-OUT SWITCH, HIGH PRESSURE (M1, M2, M3, M4, M5, M6, M7, M8, M9, M10, M11, M12, M13, M14, M15, M16, M17, M18, M19, M20, M21, M22, M23)		
0130M00074	CUT-OUT SWITCH, HIGH PRESSURE (M24, M25, M26, M27, M28, M29, M30)		
0130M00075	CUT-OUT SWITCH, LOW PRESSURE (M24, M25, M26, M27, M28, M29, M30)		

Functional Parts

Part

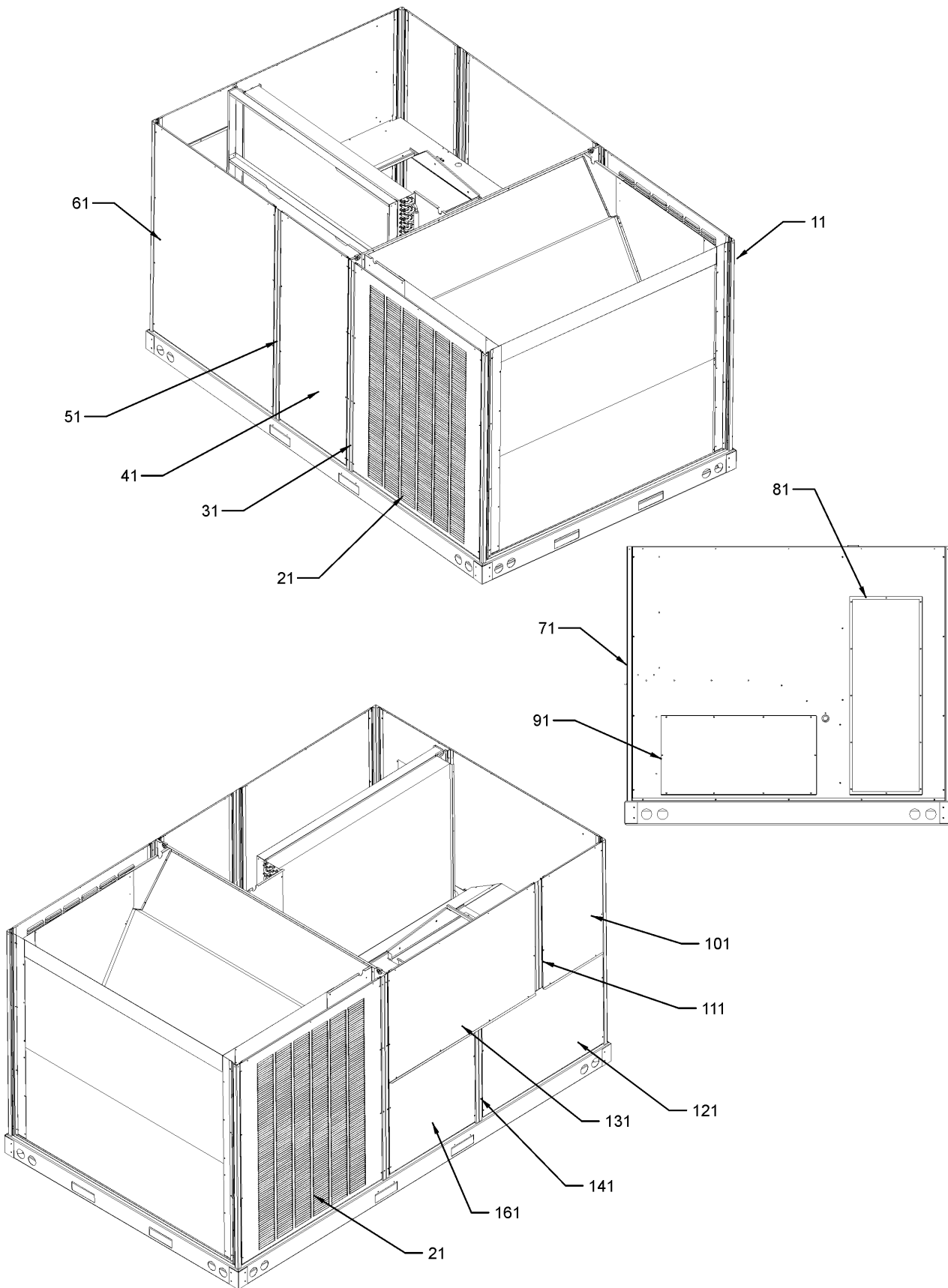
No:

Description:

Expanded Model Nomenclature

M1 - CPG0902103BAXXBB
M2 - CPG0902103BXAXBB
M3 - CPG0902103BXSXBB
M4 - CPG0902103BXXCBB
M5 - CPG0902103BXXXBB
M6 - CPG0902104BXDCBB
M7 - CPG0902104BXSXBB
M8 - CPG0902104BXXXBB
M9 - CPG0902107BXSXBB
M10 - CPG0902107BXXXBB
M11 - CPG1022103BHJAB
M12 - CPG1022103BXSAB
M13 - CPG1022103BXXXAB
M14 - CPG1022103HXXXAB
M15 - CPG1022104BXSAB
M16 - CPG1022104BXXXAB
M17 - CPG1022107BAXXAB
M18 - CPG1022107BXSAB
M19 - CPG1202103BJOBA
M20 - CPG1202103BXXXAB
M21 - CPG1202104BXXEBA
M22 - CPG1202104BXXXAB
M23 - CPG1202107BXXXAB
M24 - CPG1502103BXSAB
M25 - CPG1502103BXXXAB
M26 - CPG1502103HXXXAB
M27 - CPG1502104BXSAB
M28 - CPG1502104BXXXAB
M29 - CPG1502107BXSAB
M30 - CPG1502107BXXXAB

Cabinet Assembly



Cabinet Assembly

**Ref. Part
No: No:**

Description:

**Ref. Part
No: No:**

Description:

Image 1:

11	0121L00065RFDG	CORNER POST (M1, M2, M3, M4, M5, M6, M7, M8, M9, M10, M11, M12, M13, M14, M15, M16, M17, M18, M19, M20, M21, M22, M23)
11	0121L00979RFDG	CORNER POST, RF PNT (M24, M25, M26, M27, M28, M29, M30)
21	0152L00001	GRILLE-CONDENSER (M24, M25, M26, M27, M28, M29, M30)
21	0121L00511DG	LOUVERED SIDE PANEL (M1, M2, M3, M4, M5, M6, M7, M8, M9, M10, M11, M12, M13, M14, M15, M16, M17, M18, M19, M20, M21, M22, M23)
31	0121L00738RFDG	POST-SIDE, RF PAINTED (M1, M2, M3, M4, M5, M6, M7, M8, M9, M10, M11, M12, M13, M14, M15, M16, M17, M18, M19, M20, M21, M22, M23)
31	0121L00980RFDG	POST-SIDE, RF PAINTED (M24, M25, M26, M27, M28, M29, M30)
41	0121L00737DG	DOOR-FILTER (M1, M2, M3, M4, M5, M6, M7, M8, M9, M10, M11, M12, M13, M14, M15, M16, M17, M18, M19, M20, M21, M22, M23)
41	0121L00759DG	DOOR-FILTER (M24, M25, M26, M27, M28, M29, M30)
51	0121L00739RFDG	POST-FILTER, RF PAINTED (M1, M2, M3, M4, M5, M6, M7, M8, M9, M10, M11, M12, M13, M14, M15, M16, M17, M18, M19, M20, M21, M22, M23)
51	0121L00757RFDG	POST-FILTER, RF PAINTED (M24, M25, M26, M27, M28, M29, M30)
61	0121L00378DG	DOOR-ECONOMISER (M24, M25, M26, M27, M28, M29, M30)
61	0121L00510	DOOR-ECONOMISER (M1, M2, M3, M4, M5, M6, M7, M8, M9, M10, M11, M12, M13, M14, M15, M16, M17, M18, M19, M20, M21, M22, M23)
71	0121L00506DG	DUCT PANEL (M1, M2, M3, M4, M5, M6, M7, M8, M9, M10, M11, M12, M13, M14, M15, M16, M17, M18, M19, M20, M21, M22, M23)
71	0121L00486DG	DUCT PANEL-PAINTED (M24, M25, M26, M27, M28, M29, M30)
81	0121L00082DG	SUPPLY DUCT
91	0121L00099DG	RETURN DUCT
101	0121L00821DG	DOOR-CONTROL, PAINTED (M24, M25, M26, M27, M28, M29, M30)
101	0121L00764DG	PNT, DOOR, CONTROL (M1, M2, M3, M4, M5, M6, M7, M8, M9, M10, M11, M12, M13, M14, M15, M16, M17, M18, M19, M20, M21, M22, M23)
111	0121L00817RFDG	RF, PNT, CONTROL POST (M24, M25, M26, M27, M28, M29, M30)
111	0121L00762RFDG	RF, PNT, POST, CONTROL BOX (M1, M2, M3, M4, M5, M6, M7, M8, M9, M10, M11, M12, M13, M14, M15, M16, M17, M18, M19, M20, M21, M22, M23)
121	0121L00767DG	HEAT EXCH DOOR
131	0121L00763DG	BLWR DOOR (M1, M2, M3, M4, M5, M6, M7, M8, M9, M10, M11, M12, M13, M14, M15, M16, M17, M18, M19, M20, M21, M22, M23)
131	0121L00512DG	INSUL BLOWER DOOR ASSY (M1, M24, M25, M26, M27, M28, M29, M30)
141	0121L00765RFDG	RF, PNT, POST, BURNER BOX
161	0121L00766DG	DOOR, BURNERS, PAINTED (M17, M19)
NS	0121L00129	DOOR RAIN SHIELD (M1, M17, M19)

Expanded Model Nomenclature

M1 - CPG0902103BAXXB
M2 - CPG0902103BXAXB
M3 - CPG0902103BXSXB
M4 - CPG0902103BXXCB
M5 - CPG0902103BXXXB
M6 - CPG0902104BXDCB
M7 - CPG0902104BXSXB
M8 - CPG0902104BXXXB
M9 - CPG0902107BXSXB
M10 - CPG0902107BXXXB
M11 - CPG1022103BHXXB
M12 - CPG1022103BXSXB
M13 - CPG1022103BXXXB
M14 - CPG1022103HXXXB
M15 - CPG1022104BXSXB
M16 - CPG1022104BXXXB
M17 - CPG1022107BAXXB
M18 - CPG1022107BXSXB
M19 - CPG1202103BJXOBA
M20 - CPG1202103BXXXB
M21 - CPG1202104BXXEBA
M22 - CPG1202104BXXXB
M23 - CPG1202107BXXXB
M24 - CPG1502103BXSXB
M25 - CPG1502103BXXXB
M26 - CPG1502103HXXXB
M27 - CPG1502104BXSXB
M28 - CPG1502104BXXXB
M29 - CPG1502107BXSXB
M30 - CPG1502107BXXXB

Top Panel / Tubing Assembly

Image 1

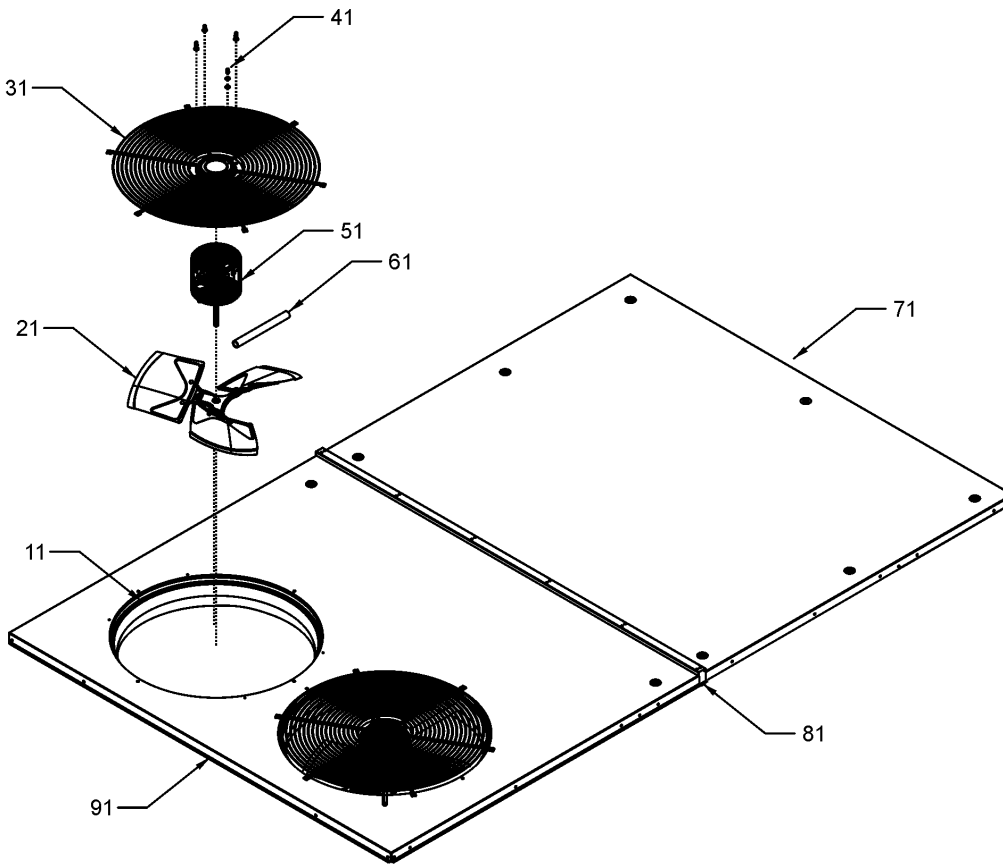
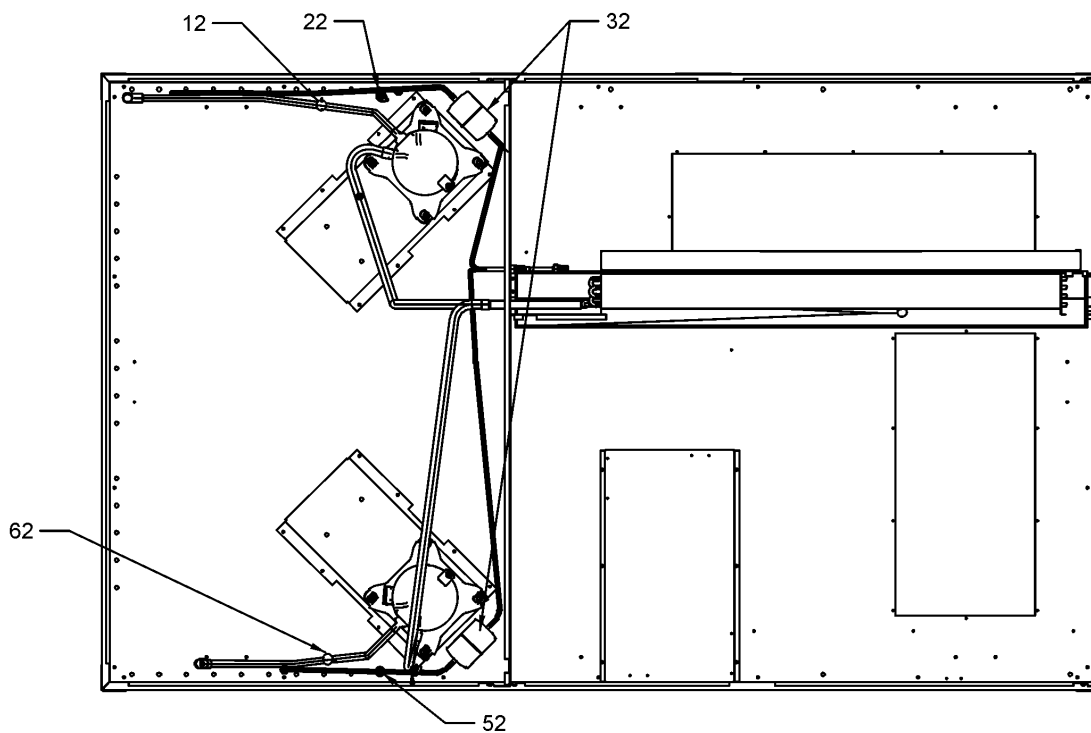


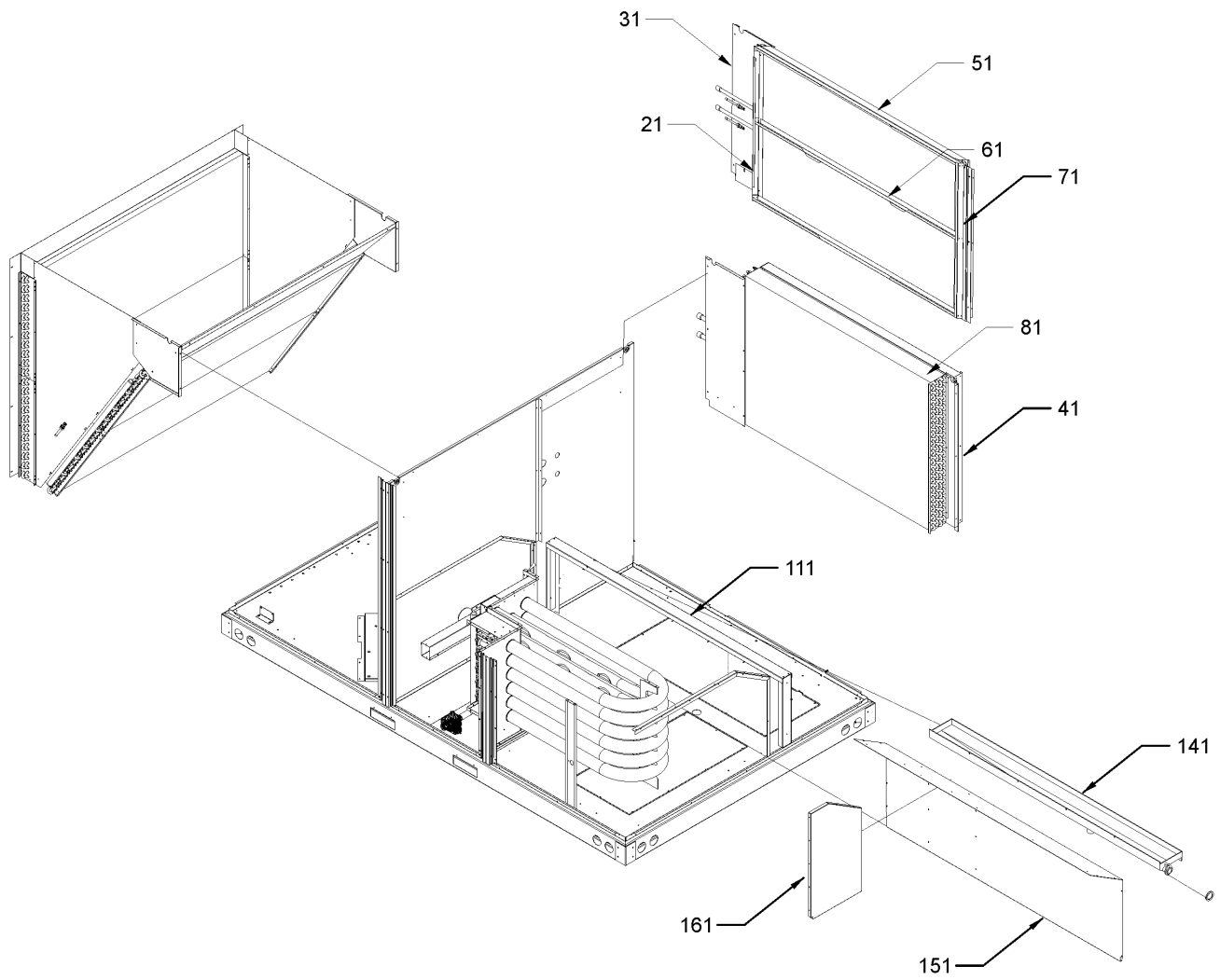
Image 2



Top Panel / Tubing Assembly

Ref. Part No: No:	Description:	Ref. Part No: No:	Description:
Image 1:		Image 2:	
11	0161L00000 VENTURI RING 22" (M19, M20, M21, M22, M23, M24, M25, M26, M27, M28, M29, M30)	52	0130M00075 CUT-OUT SWITCH, LOW PRESSURE (M24, M25, M26, M27, M28, M29, M30)
21	0150G00001 FAN BLADE (M1, M2, M3, M4, M5, M6, M7, M8, M9, M10, M11, M12, M13, M14, M15, M16, M17, M18)	62	0130M00030 CUT-OUT SWITCH, HIGH PRESSURE (M1, M2, M3, M4, M5, M6, M7, M8, M9, M10, M11, M12, M13, M14, M15, M16, M17, M18, M19, M20, M21, M22, M23)
21	10625733 FAN BLADE 22" ALUM CCW (M19, M20, M21, M22, M23, M24, M25, M26, M27, M28, M29, M30)	62	0130M00074 CUT-OUT SWITCH, HIGH PRESSURE (M24, M25, M26, M27, M28, M29, M30)
31	0152G00003 FAN GRILLE (M1, M2, M3, M4, M5, M6, M7, M8, M9, M10, M11, M12, M13, M14, M15, M16, M17, M18)	NS	B1373315 ACCESS FITTING (QTY 4)
41	0163M00006P ACORN NUT 5/16 HEX BLACK (QTY 8)	NS	0163M00175 CAP WITH O-RING (QTY 4)
51	0131M00430 COND MOTOR 1/3 HP, 1 SP, 6 PL (M19, M20, M24, M25, M26)	Expanded Model Nomenclature	
51	B13400249 COND MOTOR 1/3 HP, 460V (M21, M22, M27, M28)	M1 - CPG0902103BAXXB	
51	0131M00179 COND MOTOR 1/3 HP, 6 PL, 575V (M23, M29, M30)	M2 - CPG0902103BAXXB	
51	0131M00429 COND MOTOR 1/4 HP, 1 SP, 6 PL (M1, M2, M3, M4, M5, M11, M12, M13, M14)	M3 - CPG0902103BXSXB	
51	B13400269 COND MOTOR 380/460 50/60 CYCLE (M6, M7, M8, M15, M16)	M4 - CPG0902103BXXCBB	
51	0131M00098 COND MOTOR 575V (M9, M10, M17, M18)	M5 - CPG0902103BXXXBB	
61	1778800083F PVC CONDUIT 8.25" (M19, M20, M21, M22, M23, M24, M25, M26, M27, M28, M29, M30)	M6 - CPG0902104BXDCBB	
71	0121L00497DG EVAP TOP PANEL	M7 - CPG0902104BXSXB	
81	20455902 SPLICE GASKET .50 X .25 (QTY 5)	M8 - CPG0902104BXXXBB	
91	0121L01014DG COND TOP PANEL	M9 - CPG0902107BXSXB	
NS	0259L00096 COND MOTOR HARNESS (M24, M25, M26, M29, M30)	M10 - CPG0902107BXXXBB	
NS	0259L00097 COND MOTOR HARNESS (M27, M28)	M11 - CPG1022103BHJAB	
NS	0259L00025 COND MOTOR HARNESS 230V (M1, M2, M3, M4, M5, M9, M10, M11, M12, M13, M14, M17, M18, M19, M20, M23)	M12 - CPG1022103BXSAB	
NS	0259L00027 COND MOTOR HARNESS 230V (M1, M2, M3, M4, M5, M9, M10, M11, M12, M13, M14, M17, M18, M19, M20, M23, M24, M25, M26, M29, M30)	M13 - CPG1022103BXXXAB	
NS	0259L00026 COND MOTOR HARNESS 460V (M6, M7, M8, M15, M16, M21, M22)	M14 - CPG1022103HXXXAB	
NS	0259L00028 COND MOTOR HARNESS 460V (M6, M7, M8, M15, M16, M21, M22, M27, M28)	M15 - CPG1022104BXSAB	
Image 2:		M16 - CPG1022104BXXXAB	
12	0130M00031 CUT-OUT SWITCH, HIGH PRESSURE (M1, M2, M3, M4, M5, M6, M7, M8, M9, M10, M11, M12, M13, M14, M15, M16, M17, M18, M19, M20, M21, M22, M23)	M17 - CPG1022107BAXXAB	
12	0130M00074 CUT-OUT SWITCH, HIGH PRESSURE (M24, M25, M26, M27, M28, M29, M30)	M18 - CPG1022107BXSAB	
22	0130L00003 CUT-OUT SWITCH, LOW PRESSURE (M1, M2, M3, M4, M5, M6, M7, M8, M9, M10, M11, M12, M13, M14, M15, M16, M17, M18, M19, M20, M21, M22, M23)	M19 - CPG1202103BJOBA	
22	0130M00075 CUT-OUT SWITCH, LOW PRESSURE (M24, M25, M26, M27, M28, M29, M30)	M20 - CPG1202103BXXXAB	
32	0151M00012 BI-FLOW FILTER DRIER (M24, M25, M26, M27, M28, M29, M30)	M21 - CPG1202104BXXEBA	
32	20485201 BI-FLOW FILTER DRIER (M1, M2, M3, M4, M5, M6, M7, M8, M9, M10, M11, M12, M13, M14, M15, M16, M17, M18, M19, M20, M21, M22, M23)	M22 - CPG1202104BXXXAB	
52	0130L00002 CUT-OUT SWITCH, LOW PRESSURE (M1, M2, M3, M4, M5, M6, M7, M8, M9, M10, M11, M12, M13, M14, M15, M16, M17, M18, M20, M22, M23)	M23 - CPG1202107BXXXAB	
		M24 - CPG1502103BXSAB	
		M25 - CPG1502103BXXXAB	
		M26 - CPG1502103HXXXAB	
		M27 - CPG1502104BXSAB	
		M28 - CPG1502104BXXXAB	
		M29 - CPG1502107BXSAB	
		M30 - CPG1502107BXXXAB	

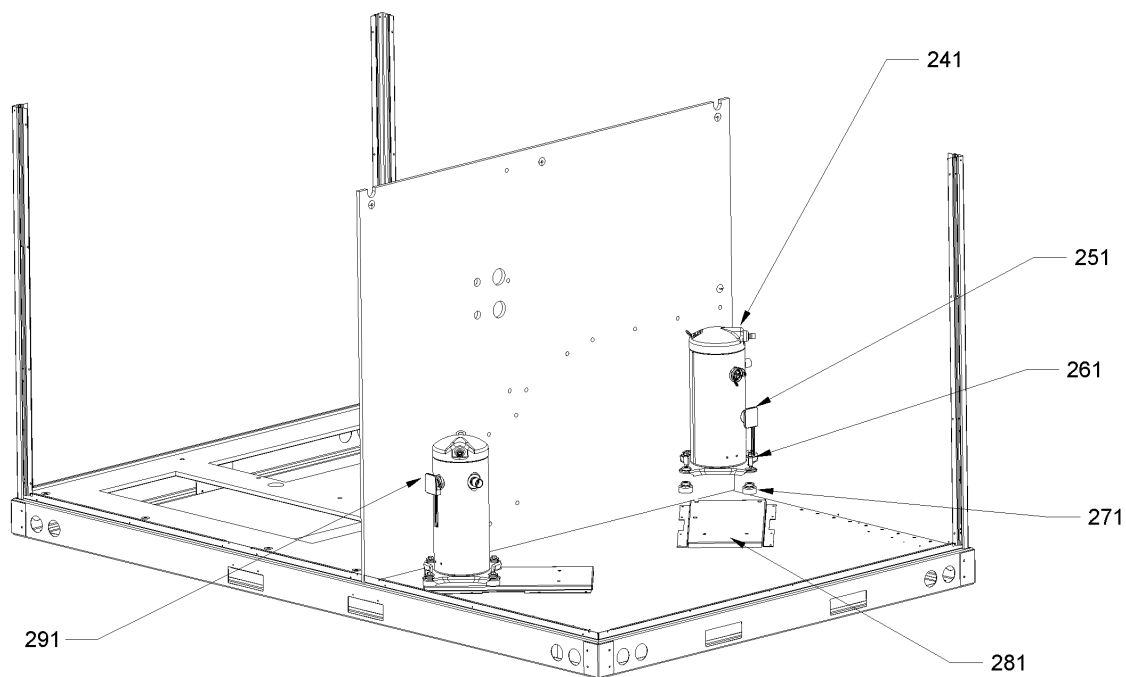
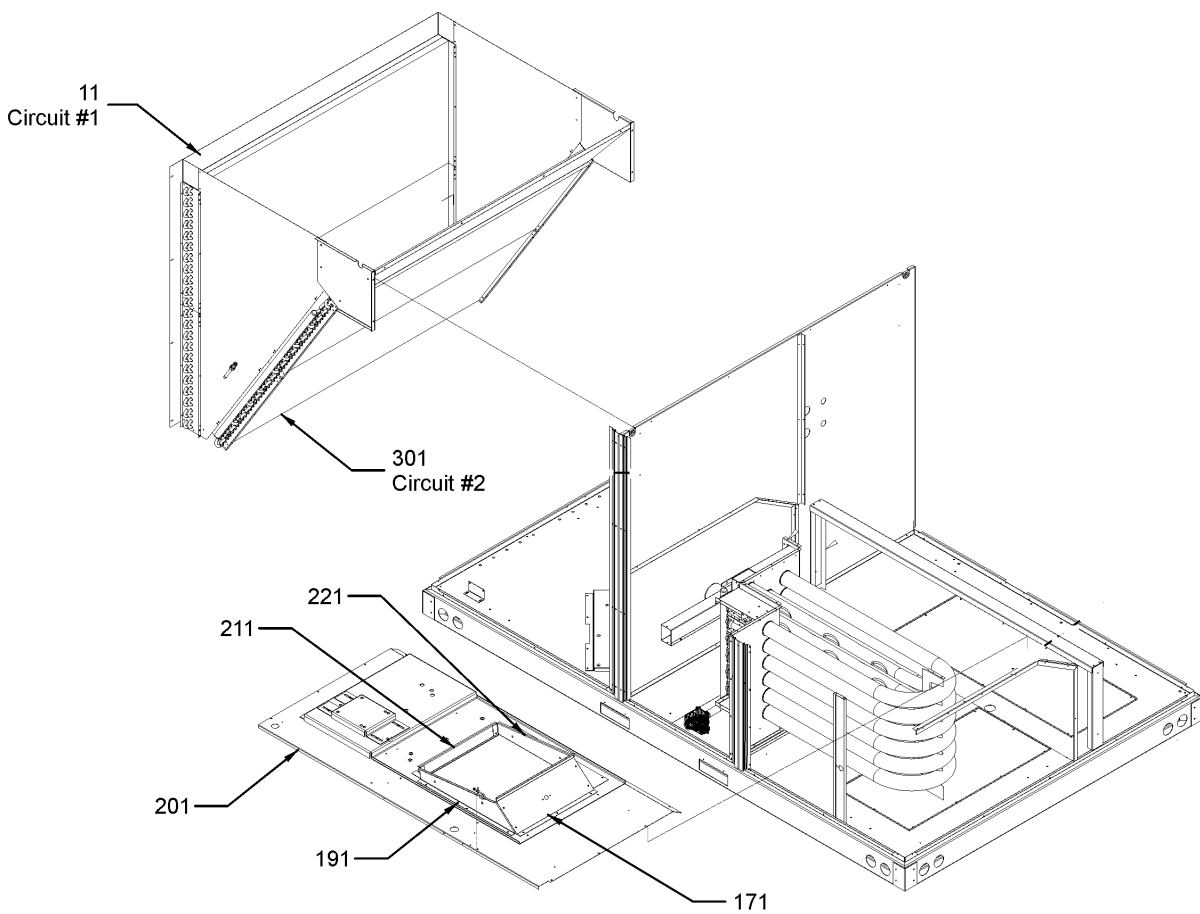
Evaporator / Partition Assembly



Evaporator / Partition Assembly

Ref. Part No: No:	Description:	Ref. Part No: No:	Description:	
Image 1:		Image 1:		
21	0121L00357	NS	B1369608	AIR FILTER 20 X 16 X 2 (M1, M2, M3, M4, M5, M6, M7, M8, M9, M10, M11, M12, M13, M14, M15, M16, M17, M18)
21	0121L00519	NS	B1369611	AIR FILTER 20 X 25 X 2 (M24, M25, M26, M27, M28, M29, M30)
21	0121L00650	Expanded Model Nomenclature		
31	0121L00517	M1 - CPG0902103BAXXBB		
31	0121L00210	M2 - CPG0902103BXAXBB		
41	0121L00843	M3 - CPG0902103BXSXBB		
41	0121L00844	M4 - CPG0902103BXXCBB		
41	0121L00845	M5 - CPG0902103BXXXBB		
51	0121L00649	M6 - CPG0902104BXDCBB		
51	0121L00399	M7 - CPG0902104BXSXBB		
51	0121L00932	M8 - CPG0902104BXXXBB		
61	0121L00648	M9 - CPG0902107BXSXBB		
61	0121L00298	M10 - CPG0902107BXXXBB		
61	0270L00161	M11 - CPG1022103BHJAB		
71	0121L00358	M12 - CPG1022103BXSXAB		
71	0121L00520	M13 - CPG1022103BXXXAB		
81	0202L00007	M14 - CPG1022103HXXXAB		
81	0202L00041	M15 - CPG1022104BXSXAB		
81	0202L00044	M16 - CPG1022104BXXXAB		
81	0202L00053	M17 - CPG1022107BAXXAB		
81	0202L00059	M18 - CPG1022107BXSXAB		
111	0121L00372	M19 - CPG1202103BJXOBA		
111	0121L00508	M20 - CPG1202103BXXXAB		
141	0161L00002	M21 - CPG1202104BXXEBA		
151	0121L00374	M22 - CPG1202104BXXXAB		
161	0121L00522	M23 - CPG1202107BXXXAB		
NS	0160L00021	M24 - CPG1502103BXSXAB		
		M25 - CPG1502103BXXXAB		
		M26 - CPG1502103HXXXAB		
		M27 - CPG1502104BXSXAB		
		M28 - CPG1502104BXXXAB		
		M29 - CPG1502107BXSXAB		
		M30 - CPG1502107BXXXAB		

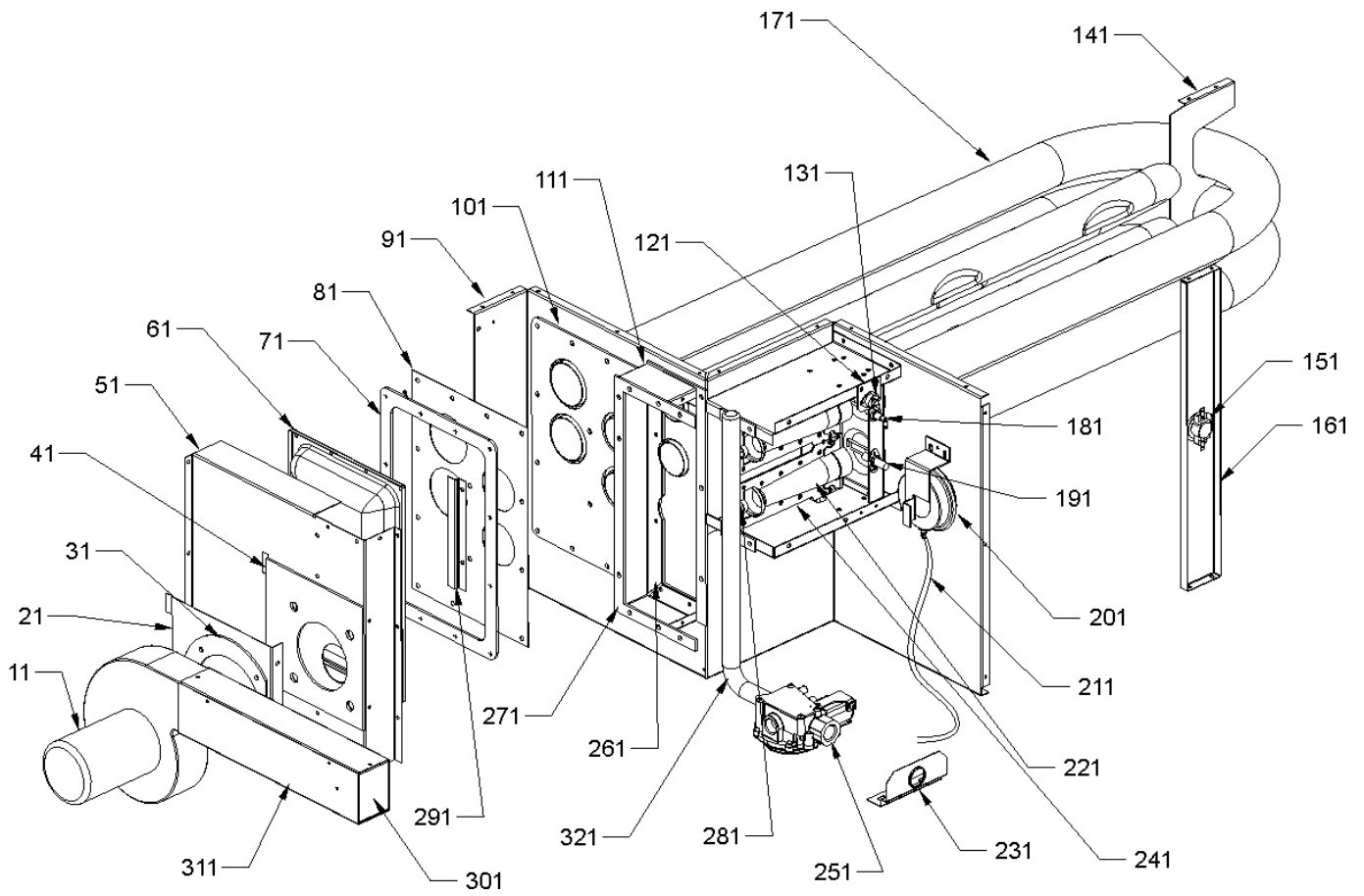
Condenser / Partition Assembly



Condenser / Partition Assembly

Ref. Part No:	Description:	Ref. Part No:	Description:
Image 1:		Image 1:	
11	0201L00015 TUBING ASSY, COND COIL (M6, M20, M22, M23)	301	0201L00102 TUBING ASSY, COND COIL C2 (M1, M2, M3, M4, M5, M7, M8, M9, M10, M11, M12, M13, M14, M15, M16, M17, M18)
11	0201L00080 TUBING ASSY, COND COIL (M24, M25, M26, M27, M28, M29, M30)		
11	0201L00098 TUBING ASSY, COND COIL (M1, M2, M3, M4, M5, M7, M8, M9, M10, M11, M12, M13, M14, M15, M16, M17, M18)	301	0201L00136 TUBING ASSY, COND COIL, 5MM C2 (M19, M21)
11	0201L00130 TUBING ASSY, COND COIL, 5MM (M19, M21)	Expanded Model Nomenclature	
171	0121L00090 BLOWER TRANSITION, RH END (M1, M2, M3, M4, M5, M6, M7, M8, M9, M10, M11, M12, M13, M14, M15, M16, M17, M18)	<div style="border: 1px solid black; padding: 5px;"> M1 - CPG0902103BAXXBB M2 - CPG0902103BXAXBB M3 - CPG0902103BXSXBB M4 - CPG0902103BXXCBB M5 - CPG0902103BXXXBB M6 - CPG0902104BXDCBB M7 - CPG0902104BXSXBB M8 - CPG0902104BXXXBB M9 - CPG0902107BXSXBB M10 - CPG0902107BXXXBB M11 - CPG1022103BHJAB M12 - CPG1022103BXSXAB M13 - CPG1022103BXXXAB M14 - CPG1022103HXXXAB M15 - CPG1022104BXSXAB M16 - CPG1022104BXXXAB M17 - CPG1022107BAXXAB M18 - CPG1022107BXSXAB M19 - CPG1202103BJXOBA M20 - CPG1202103BXXXAB M21 - CPG1202104BXXEBA M22 - CPG1202104BXXXAB M23 - CPG1202107BXXXAB M24 - CPG1502103BXSXAB M25 - CPG1502103BXXXAB M26 - CPG1502103HXXXAB M27 - CPG1502104BXSXAB M28 - CPG1502104BXXXAB M29 - CPG1502107BXSXAB M30 - CPG1502107BXXXAB </div>	
171	0121L00168 BLOWER TRANSITION, RH END (M19, M20, M21, M22, M23, M24, M25, M26, M27, M28, M29, M30)		
191	0121L00092 BLOWER TRANSITION, FRONT		
201	0121L00928 DECK-BLOWER		
211	0121L00097 BLOWER TRANSITION, LH END (M1, M2, M3, M4, M5, M6, M7, M8, M9, M10, M11, M12, M13, M14, M15, M16, M17, M18)		
211	0121L00169 BLOWER TRANSITION, LH END (M19, M20, M21, M22, M23, M24, M25, M26, M27, M28, M29, M30)		
221	0121L00094 BLOWER TRANSITION, BACK (M19, M20, M21, M22, M23, M24, M25, M26, M27, M28, M29, M30)		
221	0121L00145 BLOWER TRANSITION, BACK (M1, M2, M3, M4, M5, M6, M7, M8, M9, M10, M11, M12, M13, M14, M15, M16, M17, M18)		
241	ZP67KCETFD830 COMP, 67000,460/60/3 (M27, M28)		
241	ZP67KCETF5830 COMP, 67500,200/230/60/3 (M24, M25, M26)		
241	ZP39K5ETF5830 COMPRESSOR 39000, 200/230/60/3 (M1, M2, M3, M4, M5)		
241	ZP39K5ETFD130 COMPRESSOR 39000, 460/60/3 (M6, M7, M8)		
241	ZP39K5ETFE830 COMPRESSOR 39000, 575/60/3 (M9, M10)		
241	ZP44K5ETF5130 COMPRESSOR 44000, 200/230/60/3 (M11, M12, M13, M14)		
241	ZP44K5ETFD130 COMPRESSOR 44000, 460/60/3 (M15, M16)		
241	ZP44K5ETFE130 COMPRESSOR 44000, 575/60/3 (M17, M18)		
241	ZP51K5ETF5130 COMPRESSOR 51000, 208/230/60/3 (M19, M20)		
241	ZP51K5ETFD830 COMPRESSOR 51000, 460/60/3 (M21, M22)		
241	ZP51K5ETFE830 COMPRESSOR 51000, 575/60/3 (M23)		
241	ZP67KCETFE830 COMPRESSOR 67500, 575/60/3 (M29, M30)		
251	0159L00004 COMPRESSOR SCROLL HARNESS (M1, M2, M3, M4, M5, M6, M7, M8, M9, M10, M11, M12, M13, M14, M15, M16, M17, M18, M19, M20, M21, M22, M23, M27, M28, M29, M30)		
251	0159L00009 COMPRESSOR SCROLL HARNESS (M24, M25, M26)		
261	M0221641 TF SHOULDER SCREW (QTY 8)		
271	B1339533 COMPRESSOR GROMMET (QTY 8)		
281	0121L00408 COMPRESSOR MOUNTING PLATE (QTY 2)		
291	0159L00005 COMPRESSOR SCROLL HARNESS (M1, M2, M3, M4, M5, M6, M7, M8, M9, M10, M11, M12, M13, M14, M15, M16, M17, M18, M19, M20, M21, M22, M23)		
291	0159L00033 COMPRESSOR SCROLL HARNESS (M24, M25, M26)		
291	0159L00035 COMPRESSOR SCROLL HARNESS (M27, M28, M29, M30)		
301	0201L00016 TUBING ASSY, COND COIL (M6, M20, M22, M23)		
301	0201L00081 TUBING ASSY, COND COIL (M24, M25, M26, M27, M28, M29, M30)		

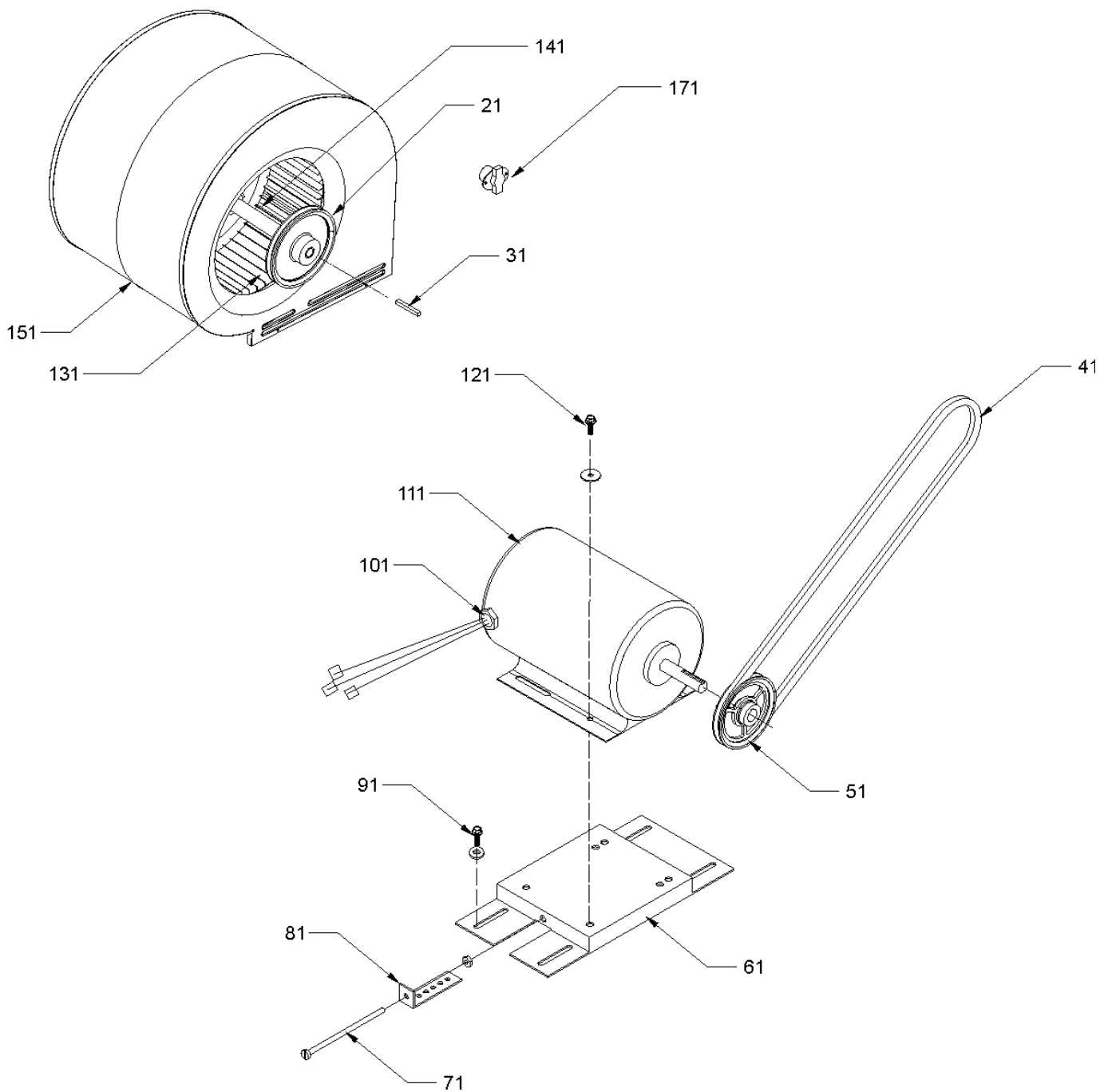
Heat Exchanger Assembly



Heat Exchanger Assembly

Ref. Part No: No:	Description:	Ref. Part No: No:	Description:
<i>Image 1:</i>		Expanded Model Nomenclature	
11	0131L00002 VENT MOTOR	M1	CPG0902103BAXXBB
21	0121L00080 MOUNTING PLATE-ID BLOWER	M2	CPG0902103BXAXBB
31	0154L00007 GASKET, BLOWER/ORIFICE PLATE	M3	CPG0902103BXSXBB
41	0154L00006 GASKET, COLLECTOR/ORIFICE PLATE	M4	CPG0902103BXXCBB
51	0121L00077 COLLECTOR BOX COVER	M5	CPG0902103BXXXBB
61	0121L00072 REAR COVER, HEAT EXCHANGER	M6	CPG0902104BXDCBB
71	0154L00010 REAR COVER GASKET, HEAT EXCHANGER	M7	CPG0902104BXSXBB
81	0121L00133 TUBE PLATE, HEAT EXCHANGER	M8	CPG0902104BXXXBB
91	0121L00033 PANEL-HT TUBES, 6 BURNER	M9	CPG0902107BXSXBB
101	0154L00015 TUBE PLATE GASKET, HEAT EXCHANGER	M10	CPG0902107BXXXBB
111	0121L00076 COLLECTOR BOX CHANNEL	M11	CPG1022103BHXXAB
121	0121L00323 FLAME ROLLOUT BRACKET	M12	CPG1022103BXSXAB
131	10123532 MANUAL RESET LIMIT 350°F	M13	CPG1022103BXXXAB
141	0121L01065 SUPPORT-HT TUBES 6	M14	CPG1022103HXXXAB
151	B1370187 PRIMARY LIMIT SWITCH 160°F (M24, M25, M26, M27, M28, M29, M30)	M15	CPG1022104BXSXAB
151	B1370199 PRIMARY LIMIT SWITCH 190°F (M1, M2, M3, M4, M5, M6, M7, M8, M9, M10, M11, M12, M13, M14, M15, M16, M17, M18, M19, M20, M21, M22, M23)	M16	CPG1022104BXXXAB
161	0121L00093 POST-LIMIT SWITCH	M17	CPG1022107BAXXAB
171	0270L00043 HEAT EXCHANGER ASSY 6B (M1, M2, M4, M5, M8, M10, M11, M13, M14, M16, M17, M19, M20, M21, M22, M23, M25, M26, M28, M30)	M18	CPG1022107BXSXAB
171	0270L00171 HEAT EXCHANGER ASSY 6B (M3, M6, M7, M9, M12, M15, M18, M24, M27, M29)	M19	CPG1202103BJXOBA
181	0130F00010 FLAME SENSOR	M20	CPG1202103BXXXAB
191	20261709 IGNITOR	M21	CPG1202104BXXEBA
201	11112501 PRESSURE SWITCH	M22	CPG1202104BXXXAB
211	A3468601 PRESSURE SWITCH HOSE	M23	CPG1202107BXXXAB
221	0163L00000 BECKETT BURNER (QTY 6)	M24	CPG1502103BXSXAB
231	0121L00147 PIPE BRACKET-GAS VALVE	M25	CPG1502103BXXXAB
241	0121G00268 BRACKET-BURNER TOP/BOT (QTY 2)	M26	CPG1502103HXXXAB
251	0151L00000 GAS VALVE (36H)	M27	CPG1502104BXSXAB
261	0154L00011 INNER GASKET, COLLECTOR BOX	M28	CPG1502104BXXXAB
271	0154L00012 OUTER GASKET, COLLECTOR BOX	M29	CPG1502107BXSXAB
281	0163L00007 ORIFICE #34 DRILL (QTY 6)	M30	CPG1502107BXXXAB
291	0121L00073 TUBE RESTRICTOR		
301	0163L00006 FLUE SCREEN		
311	0121L00049 HEAT EXCHANGER FLUE (QTY 2)		
321	0163L00010 MANIFOLD - 6 BRNR		
NS	0121L00130 COLLAR-FLUE		
NS	B1392609 SEAL STRIP, RED, 1/8 X 1/2 X 100 (QTY 3)		

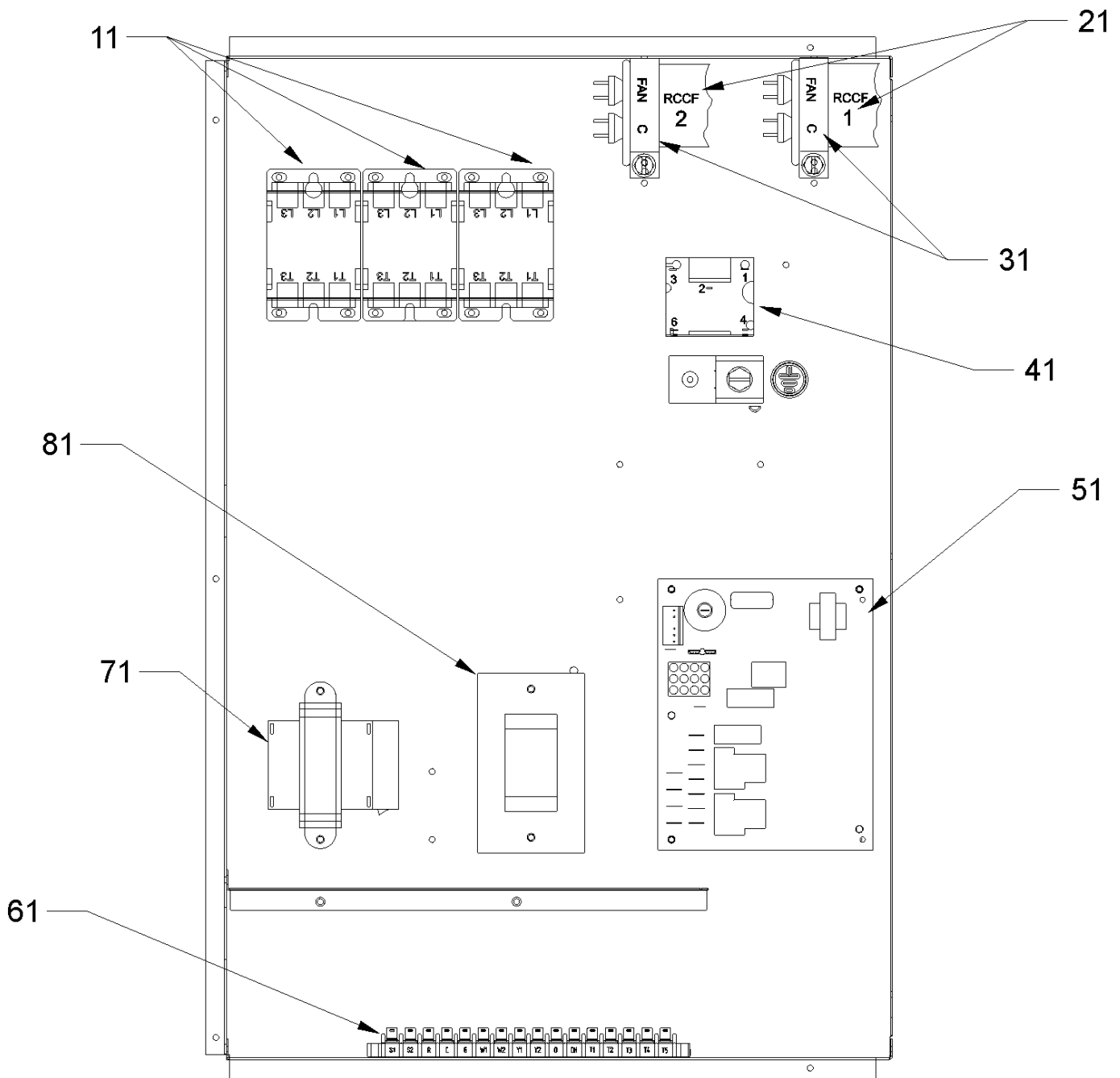
Belt Drive Blower / Motor Assembly



Belt Drive Blower / Motor Assembly

Ref. Part No: No:	Description:	Ref. Part No: No:	Description:
Image 1:		Expanded Model Nomenclature	
21	B3204310	FIXED SHEAVE AK66 (M24, M25, M26, M27, M28, M29, M30)	M1 - CPG0902103BAXXBB
21	0163L00011	FIXED SHEAVE AK74 (M1, M2, M3, M4, M5, M6, M7, M8, M9, M10, M11, M12, M13, M14, M15, M16, M17, M18, M19, M20, M21, M22, M23)	M2 - CPG0902103BXAXBB
31	B1398604	STEEL KEY (000158812) 2.0"	M3 - CPG0902103BXSXBB
41	0164L00001	NOTCHED FAN BELT AX49 (M24, M25, M26, M27, M28, M29, M30)	M4 - CPG0902103BXXCBB
41	0164L00000	NOTCHED FAN BELT AX51 (M1, M2, M3, M4, M5, M6, M7, M8, M9, M10, M11, M12, M13, M14, M15, M16, M17, M18, M19, M20, M21, M22, M23)	M5 - CPG0902103BXXXBB
51	0163L00035	VARIABLE PITCH SHEAVE (M26)	M6 - CPG0902104BXDCBB
51	0163L00024	VARIABLE PITCH SHEAVE 1VL40 X 5/8" (M9, M10)	M7 - CPG0902104BXSXBB
51	B2120014	VARIABLE PITCH SHEAVE 1VL44 X 7/8" (M14)	M8 - CPG0902104BXXXBB
51	0163L00012	VARIABLE PITCH SHEAVE VL40 (M1, M2, M3, M4, M5, M6, M7, M8, M11, M12, M13, M14, M15, M16, M17, M18, M19, M20, M21, M22, M23, M24, M25, M26, M27, M28, M29, M30)	M9 - CPG0902107BXSXBB
61	0270L00015	MOTOR BASE ASSY	M10 - CPG0902107BXXXBB
71	0163M00045	BOLT 1/4-20 X 4"	M11 - CPG1022103BHXXJAB
81	3225000F	BELT TIGHTENER ANGLE	M12 - CPG1022103BXSXAB
91	B1446707	SCREW 5/16-18 X 1" (QTY 4)	M13 - CPG1022103BXXXAB
101	B1393726	ELECT. CONNECTING BUSHING	M14 - CPG1022103HXXXAB
111	B3240007	BELT DRIVE MOTOR 1.5 HP (M1, M2, M3, M4, M5, M6, M7, M8)	M15 - CPG1022104BXSXAB
111	0131L00004	BELT DRIVE MOTOR 1.5 HP 575V (M9, M10)	M16 - CPG1022104BXXXAB
111	B3240004	BELT DRIVE MOTOR 2 HP (M24, M25, M26, M27, M28)	M17 - CPG1022107BAXXAB
111	B3240006	BELT DRIVE MOTOR 2 HP (M11, M12, M13, M14, M15, M16, M19, M20, M21, M22)	M18 - CPG1022107BXSXAB
111	0131L00005	BELT DRIVE MOTOR 2 HP 575 V (M17, M18, M23)	M19 - CPG1202103BJXOBA
111	0131L00006	BELT DRIVE MOTOR 3 HP 575 V (M29, M30)	M20 - CPG1202103BXXXAB
121	B1393738	BOLT 1/4-20 X 3/4" (M19)	M21 - CPG1202104BXXEBA
131	03-77429	BLOWER WHEEL (M1, M2, M3, M4, M5, M6, M7, M8, M9, M10, M11, M12, M13, M14, M15, M16, M17, M18)	M22 - CPG1202104BXXXAB
131	03-78497	BLOWER WHEEL (M19, M20, M21, M22, M23, M24, M25, M26, M27, M28, M29, M30)	M23 - CPG1202107BXXXAB
141	04-11525	BLOWER SHAFT (M1, M2, M3, M4, M5, M6, M7, M8, M9, M10, M11, M12, M13, M14, M15, M16, M17, M18)	M24 - CPG1502103BXSXAB
141	04-11526	BLOWER SHAFT (M19, M20, M21, M22, M23, M24, M25, M26, M27, M28, M29, M30)	M25 - CPG1502103BXXXAB
151	04-01525	BLOWER HOUSING (M1, M2, M3, M4, M5, M6, M7, M8, M9, M10, M11, M12, M13, M14, M15, M16, M17, M18)	M26 - CPG1502103HXXXAB
151	04-01526	BLOWER HOUSING (M19, M20, M21, M22, M23, M24, M25, M26, M27, M28, M29, M30)	M27 - CPG1502104BXSXAB
171	0130F00036	PRIMARY LIMIT - PINK (M1, M2, M3, M4, M5, M6, M7, M8, M9, M10, M11, M12, M13, M14, M15, M16, M17, M18, M24, M25, M26, M27, M28, M29, M30)	M28 - CPG1502104BXXXAB
NS	04-02196	BLOWER BEARING & FRAME ASSY	M29 - CPG1502107BXSXAB
NS	0259L00008	MOTOR HARNESS-BELT DRIVE	M30 - CPG1502107BXXXAB

Control Box Assembly



Control Box Assembly

**Ref. Part
No: No:**

Description:

**Ref. Part
No: No:**

Description:

Image 1:

11	CONT3P025024V	CONTACTOR 25 AMP, 3P, 24V (M1, M2, M3, M4, M5, M6, M7, M8, M9, M10, M11, M12, M13, M14, M15, M16, M17, M18, M19, M20, M21, M22, M23, M27, M28, M29, M30)
11	CONT3P030024V	CONTACTOR 30 AMP, 3P, 24V (M24, M25, M26)
21	CAP100000370LA	CAPACITOR 10/370V (M24, M25, M26)
21	CAP050000370VA	CAPACITOR 5/370V (QTY 2)
31	20520901	CAPACITOR STRAP (QTY 2)
41	0130M00025	24V RELAY
51	PCBAG123	IGNITION BOARD, DSI INTEGRATED
61	0130M00038	TERMINAL BOARD
71	0130M00144	TRANSFORMER (M1, M2, M3, M4, M5, M11, M12, M13, M14, M19, M20, M24, M25, M26)
71	0130M00145	TRANSFORMER 480V to 24V, 75VA (M6, M7, M8, M15, M16, M21, M22, M27, M28)
71	0130M00148	TRANSFORMER 575V to 24V, 75VA (M9, M10, M17, M18, M23, M29, M30)
81	B1141663	TRANSFORMER 460V TO 230V, 150 VA (M6, M7, M8, M15, M16, M21, M22, M27, M28)
81	0130M00044	TRANSFORMER 575/230V (M9, M10, M17, M18, M23, M29, M30)
NS	0259L00031	12-PIN HARNESS
NS	0259L00021	CONTROL HARNESS (M6, M7, M8, M9, M10, M15, M16, M17, M18, M21, M22, M23, M27, M28, M29, M30)
NS	0259L00022	CONTROL HARNESS (M1, M2, M3, M4, M5, M11, M12, M13, M14, M19, M20, M24, M25, M26)
NS	0259L00033	ECONOMIZER HARNESS (M1, M2, M3, M4, M5, M6, M7, M8, M9, M10, M11, M12, M13, M14, M15, M16, M17, M18, M19, M20, M21, M22, M23)
NS	0259L00099	ECONOMIZER HARNESS (M24, M25, M26, M27, M28, M29, M30)

Expanded Model Nomenclature

M1 - CPG0902103BAXXBB
M2 - CPG0902103BXAXBB
M3 - CPG0902103BXSXBB
M4 - CPG0902103BXXCBB
M5 - CPG0902103BXXXBB
M6 - CPG0902104BXDCBB
M7 - CPG0902104BXSXBB
M8 - CPG0902104BXXXBB
M9 - CPG0902107BXSXBB
M10 - CPG0902107BXXXBB
M11 - CPG1022103BHXXJAB
M12 - CPG1022103BXSXAB
M13 - CPG1022103BXXXAB
M14 - CPG1022103HXXXAB
M15 - CPG1022104BXSXAB
M16 - CPG1022104BXXXAB
M17 - CPG1022107BAXXAB
M18 - CPG1022107BXSXAB
M19 - CPG1202103BJXOBA
M20 - CPG1202103BXXXAB
M21 - CPG1202104BXXEBA
M22 - CPG1202104BXXXAB
M23 - CPG1202107BXXXAB
M24 - CPG1502103BXSXAB
M25 - CPG1502103BXXXAB
M26 - CPG1502103HXXXAB
M27 - CPG1502104BXSXAB
M28 - CPG1502104BXXXAB
M29 - CPG1502107BXSXAB
M30 - CPG1502107BXXXAB

ACCESSORY PARTS LIST

ACCESSORY PARTS

Ref. Part No:	Part No:	Description:	Ref. Part No:	Part No:	Description:
---------------	----------	--------------	---------------	----------	--------------

Image 1:

NS	0130M00065	CIRCUIT BREAKER, CONVENIENCE OUTLET (M19)
NS	0270L00274	CONVENIENCE OUTLET ASSY-NP (M11, M19)
NS	DSC060B53N001FI	DISCONNECT MODULE ASSY (M11)
NS	DSC100B53Y001FI	DISCONNECT MODULE ASSY (M19)
NS	DNECONGS90120	ECONOMIZER DOWNFLOW GAS/AC (M1, M17, M19)
NS	HAILGD02FI	HAIL GUARD ASSY (M2, M6)
NS	LAKT03	LOW AMBIENT KIT (M4)
NS	LAKT03	LOW AMBIENT KIT (M6)
NS	SDSKT01FI75T12	SMOKE DETECTOR ASSEMBLY (M21)
NS	SDSRKT01FI75T12	SMOKE DETECTOR ASSEMBLY (M11, M19)
NS	0130M00061	TRANSFORMER, CONVENIENCE OUTLET (M19)

Expanded Model Nomenclature

- M1 - CPG0902103BAXXBB
- M2 - CPG0902103BXAXBB
- M3 - CPG0902103BXSXBB
- M4 - CPG0902103BXXCBB
- M5 - CPG0902103BXXXBB
- M6 - CPG0902104BXDCBB
- M7 - CPG0902104BXSXBB
- M8 - CPG0902104BXXXBB
- M9 - CPG0902107BXSXBB
- M10 - CPG0902107BXXXBB
- M11 - CPG1022103BHJXAB
- M12 - CPG1022103BXSXAB
- M13 - CPG1022103BXXXAB
- M14 - CPG1022103HXXXAB
- M15 - CPG1022104BXSXAB
- M16 - CPG1022104BXXXAB
- M17 - CPG1022107BAXXAB
- M18 - CPG1022107BXSXAB
- M19 - CPG1202103BJXOBA
- M20 - CPG1202103BXXXAB
- M21 - CPG1202104BXXEBA
- M22 - CPG1202104BXXXAB
- M23 - CPG1202107BXXXAB
- M24 - CPG1502103BXSXAB
- M25 - CPG1502103BXXXAB
- M26 - CPG1502103HXXXAB
- M27 - CPG1502104BXSXAB
- M28 - CPG1502104BXXXAB
- M29 - CPG1502107BXSXAB
- M30 - CPG1502107BXXXAB