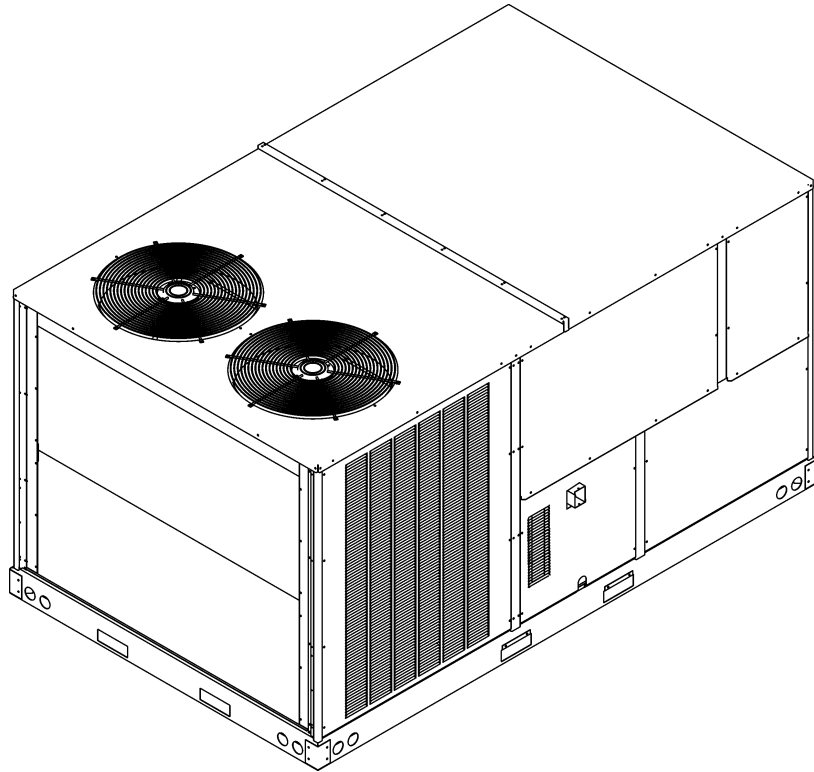


Commercial 8.5 Ton Package Gas Units

CPG1022103BAABAB
CPG1022103BAXAAB
CPG1022103BAXXAB
CPG1022103BHXAAB
CPG1022103BJAOAB
CPG1022103BXXBAB
CPG1022104BAXXAB
CPG1022104BHXUAB
CPG1022104BXSAB
CPG1022104BXXEAB



This manual is to be used by qualified technicians only.

This manual replaces RP-723D.

© 2012-2013 Goodman Manufacturing Company, L.P. ♦ 5151 San Felipe, Suite 500 ♦ Houston, TX 77056

Important Information

Index

Functional Parts List	3
Illustration and Parts	4 - 19

Views shown are for parts illustrations only, not servicing procedures.

Text Codes:

AR - As Required

NA - Not Available

NS - Not Shown

00000000 - See Note

QTY - Quantity Example (QTY 3) (If Quantity not shown, Quantity = 1)

M - Model Example (M1) (If M Code not shown, then part is used on all Models)

Expanded Model Nomenclature:

Example M1 - Model#1 M2 - Model#2 M3 - Model#3

Goodman Manufacturing Company, L.P. is not responsible for personal injury or property damage resulting from improper service. Review all service information before beginning repairs.

Warranty service must be performed by an authorized technician, using authorized factory parts. If service is required after the warranty expires, Goodman Manufacturing Company, L.P. also recommends contacting an authorized technician and using authorized factory parts.

Goodman Manufacturing Company, L.P. reserves the right to discontinue, or change at any time, specifications or designs without notice or without incurring obligations.

For assistance within the U.S.A. contact:
Consumer Affairs Department
Goodman Manufacturing Company, L.P.
7401 Security Way
Houston, Texas 77040
877-254-4729-Telephone
713-863-2382-Facsimile

For assistance outside the U.S.A. contact:
International Division
Goodman Manufacturing Company, L.P.
7401 Security Way
Houston, Texas 77040
713-861-2500-Telephone
713-863-2382-Facsimile

Functional Parts

Part

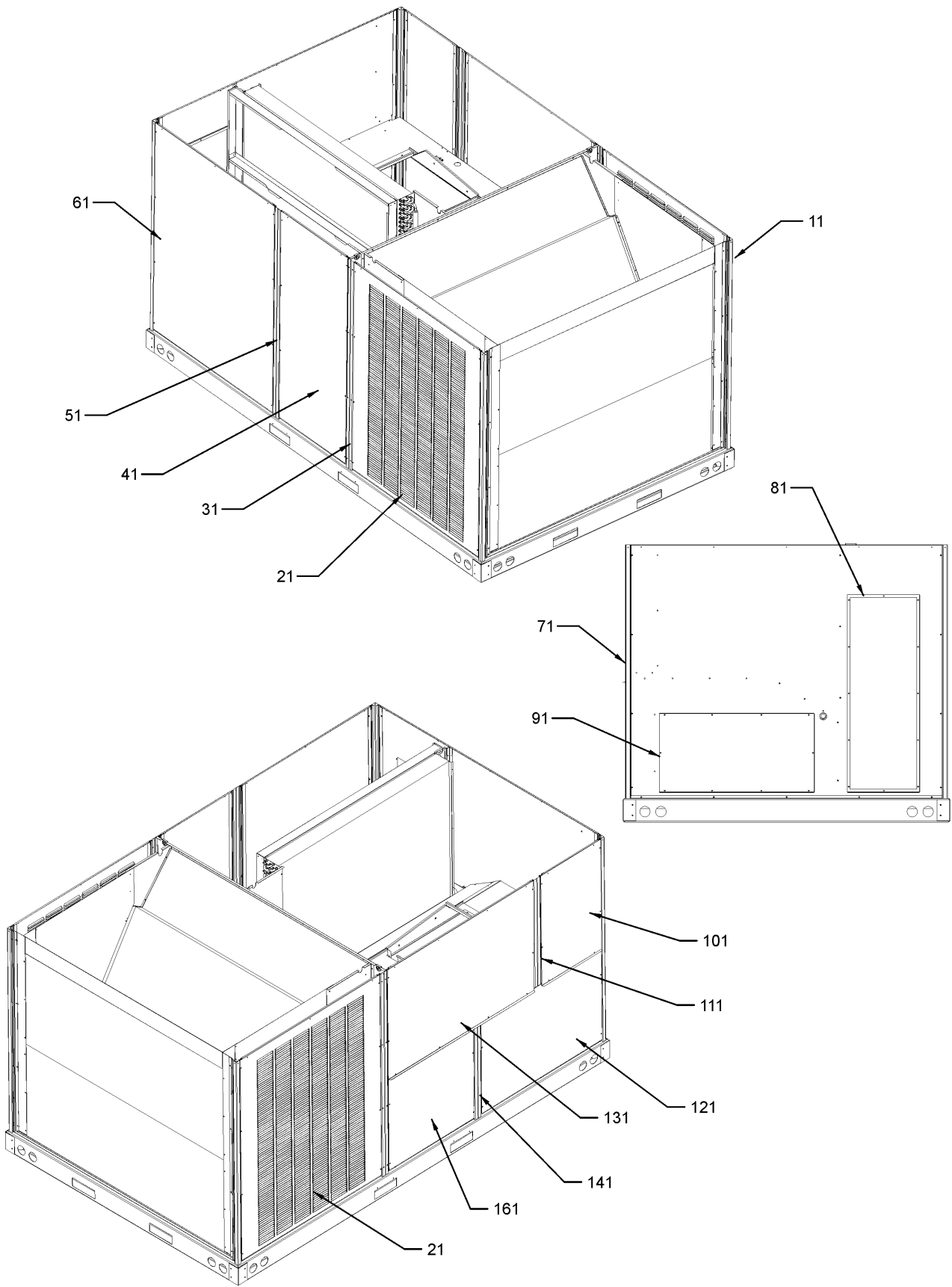
No: Description:

0130M00025	24V RELAY
B3240006	BELT DRIVE MOTOR 2 HP
03-77429	BLOWER WHEEL
CAP050000370VA	CAPACITOR 5/370V (QTY 2)
ZP44K5ETFD830	COMP 44000, 460/60/3 (M7, M8, M9, M10)
ZP44K5ETF5130	COMP, 44000, 200/230/60/3 (M1, M2, M3, M4, M5, M6)
0131M00429	COND MOTOR 1/4 HP, 1 SP, 6 PL (M1, M2, M3, M4, M5, M6)
B13400269	COND MOTOR 380/460 50/60 CYCLE (M7, M8, M9, M10)
CONT3P025024V	CONTACTOR 25 AMP, 3P, 24V (QTY 3)
0130M00030	CUT-OUT SWITCH, HIGH PRESSURE
0130M00031	CUT-OUT SWITCH, HIGH PRESSURE
0130L00003	CUT-OUT SWITCH, LOW PRESSURE
0130L00002	CUT-OUT SWITCH, LOW PRESSURE
0150G00001	FAN BLADE (QTY 2)
0130F00010	FLAME SENSOR
0151L00000	GAS VALVE, MANIFOLD (36H)
PCBAG123	IGNITION BOARD, DSI INTEGRATED
20261709	IGNITOR
0164L00000	NOTCHED FAN BELT AX51
11112501	PRESSURE SWITCH
0130F00036	PRIMARY LIMIT - PINK
B1370199	PRIMARY LIMIT SWITCH 190°F
0130M00038	TERMINAL BOARD
0130M00144	TRANSFORMER (M1, M2, M3, M4, M5, M6)
B1141663	TRANSFORMER 460V TO 230V, 150 VA (M7, M8, M9, M10)
0130M00145	Transformer, 75VA, 480V to 24V (M7, M8, M9, M10)
0131L00002	VENT MOTOR

Expanded Model Nomenclature

M1 - CPG1022103BAABAB
M2 - CPG1022103BAXAAB
M3 - CPG1022103BAXXAB
M4 - CPG1022103BHXAAB
M5 - CPG1022103BJAOAB
M6 - CPG1022103BXXBAB
M7 - CPG1022104BAXXAB
M8 - CPG1022104BHXUAB
M9 - CPG1022104BXSAAB
M10 - CPG1022104BXXEAB

Cabinet Assembly



Cabinet Assembly

Ref. Part No:	No:	Description:	Ref. Part No:	No:	Description:
---------------	-----	--------------	---------------	-----	--------------

Image 1:

11	0121L00065RFDG	CORNER POST (QTY 4)
21	0121L00511DG	LOUVERED SIDE PANEL (QTY 2)
31	0121L00738RFDG	PNT, ROLL FORM SIDE POST (QTY 2)
41	0121L00737DG	FILTER DOOR
51	0121L00739RFDG	PNT, RFORM, FILTER DOOR POST
61	0121L00510DG	ECONOMIZER DOOR
71	0121L00506DG	DUCT PANEL
81	0121L00082DG	SUPPLY DUCT
91	0121L00099DG	RETURN DUCT
101	0121L00764DG	PNT, DOOR, CONTROL
111	0121L00762RFDG	RF, PNT, POST, CONTROL BOX
121	0121L00767DG	HEAT EXCH DOOR
131	0121L00763DG	BLWR DOOR
141	0121L00765RFDG	RF, PNT, POST, BURNER BOX
161	0121L00766DG	DOOR, BURNERS, PAINTED
NS	0121L00129	DOOR RAIN SHIELD (M1, M2, M3, M5, M7)

Expanded Model Nomenclature

M1 - CPG1022103BAABAB
M2 - CPG1022103BAXAAB
M3 - CPG1022103BAXXAB
M4 - CPG1022103BHXAAB
M5 - CPG1022103BJAOAB
M6 - CPG1022103BXXBAB
M7 - CPG1022104BAXXAB
M8 - CPG1022104BHXUAB
M9 - CPG1022104BXSAAB
M10 - CPG1022104BXXEAB

Top Panel / Tubing Assembly

Image 1

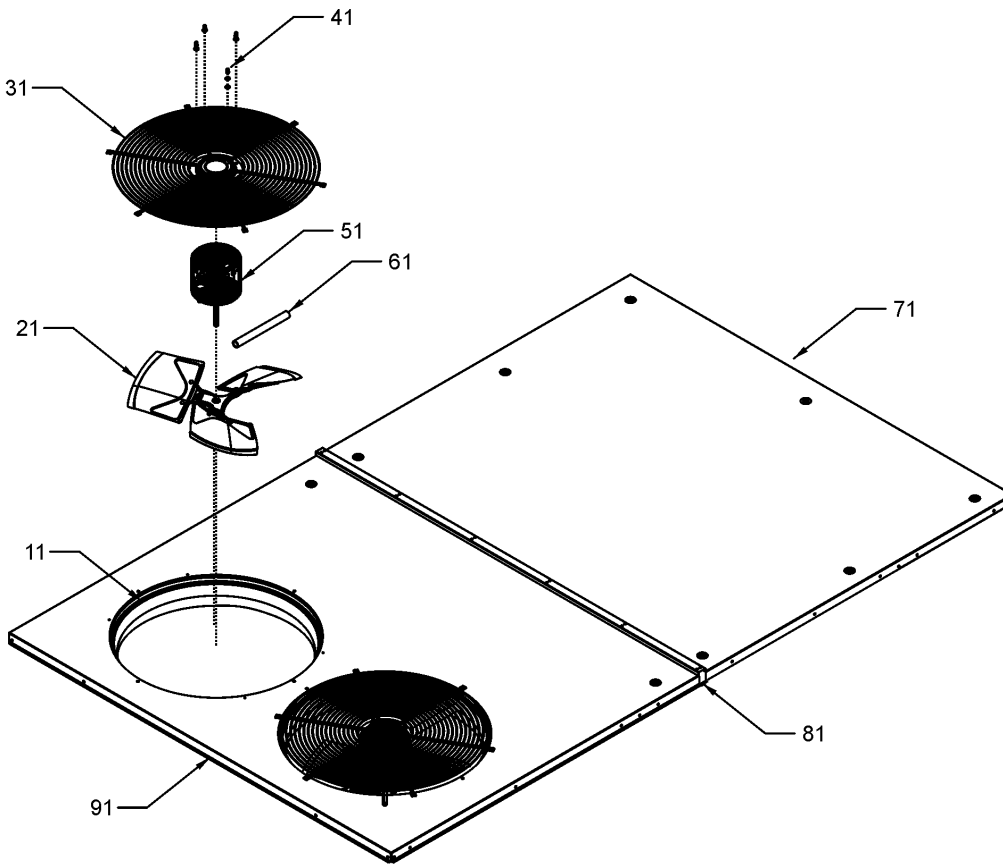
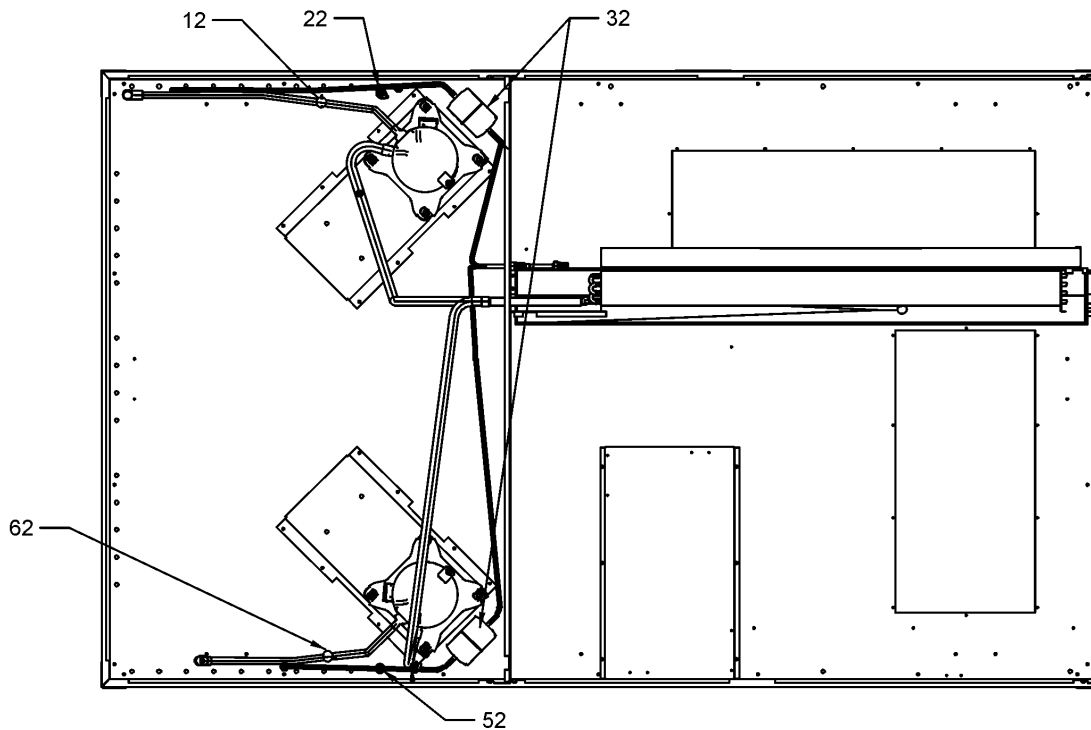


Image 2



Top Panel / Tubing Assembly

Ref. Part No:	Part No:	Description:	Ref. Part No:	Part No:	Description:
---------------	----------	--------------	---------------	----------	--------------

Image 1:

11	0161L00000	VENTURI RING 22" (QTY 2)
21	0150G00001	FAN BLADE (QTY 2)
31	0152G00002	GRILLE-FAN (QTY 2)
41	0163M00006P	ACORN NUT 5/16 HEX BLACK (QTY 8)
51	0131M00429	COND MOTOR 1/4 HP, 1 SP, 6 PL (M1, M2, M3, M4, M5, M6)
51	B13400269	COND MOTOR 380/460 50/60 CYCLE (M7, M8, M9, M10)
61	17788000083F	PVC CONDUIT 8.25" (QTY 2)
71	0121L00497DG	EVAP TOP PANEL
81	20455902	SPLICE GASKET .50 X .25 (QTY 5)
91	0121L01014DG	COND TOP PANEL
NS	0259L00025	COND MOTOR HARNESS 230V (M1, M2, M3, M4, M5, M6)
NS	0259L00027	COND MOTOR HARNESS 230V (M1, M2, M3, M4, M5, M6)
NS	0259L00026	COND MOTOR HARNESS 460V (M7, M8, M9, M10)
NS	0259L00028	COND MOTOR HARNESS 460V (M7, M8, M9, M10)

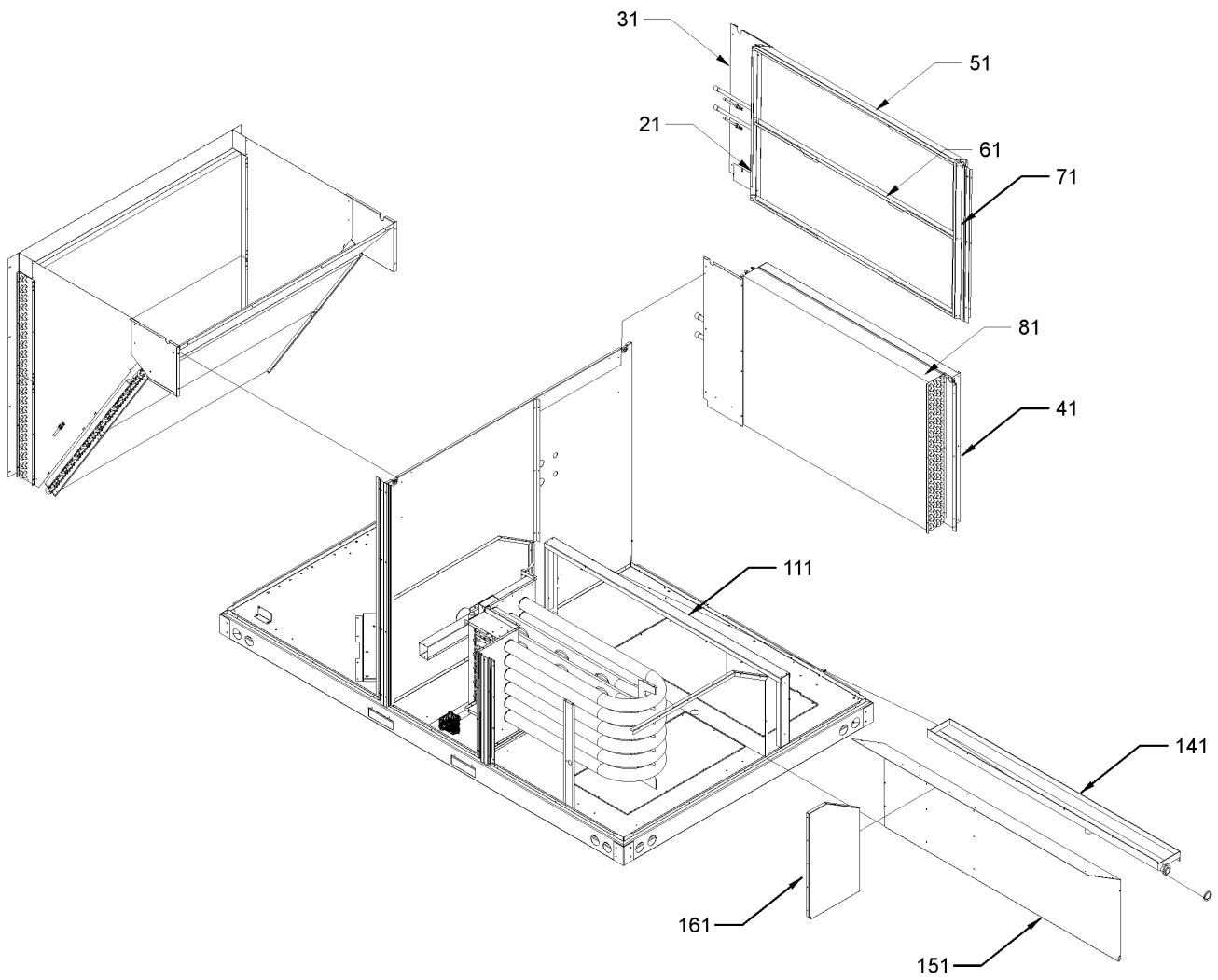
Image 2:

12	0130M00031	CUT-OUT SWITCH, HIGH PRESSURE
22	0130L00003	CUT-OUT SWITCH, LOW PRESSURE
32	20485201	BI-FLOW FILTER DRIER
52	0130L00002	CUT-OUT SWITCH, LOW PRESSURE
62	0130M00030	CUT-OUT SWITCH, HIGH PRESSURE
NS	B1373315	ACCESS FITTING (QTY 4)
NS	0163M00175	CAP WITH O-RING (QTY 4)

Expanded Model Nomenclature

M1 - CPG1022103BAABAB
M2 - CPG1022103BAXAAB
M3 - CPG1022103BAXXAB
M4 - CPG1022103BHXAAB
M5 - CPG1022103BJAOAB
M6 - CPG1022103BXXBAB
M7 - CPG1022104BAXXAB
M8 - CPG1022104BHXUAB
M9 - CPG1022104BXSAAB
M10 - CPG1022104BXXEAB

Evaporator / Partition Assembly



Evaporator / Partition Assembly

Ref. Part No: No:	Description:	Ref. Part No: No:	Description:
-------------------	--------------	-------------------	--------------

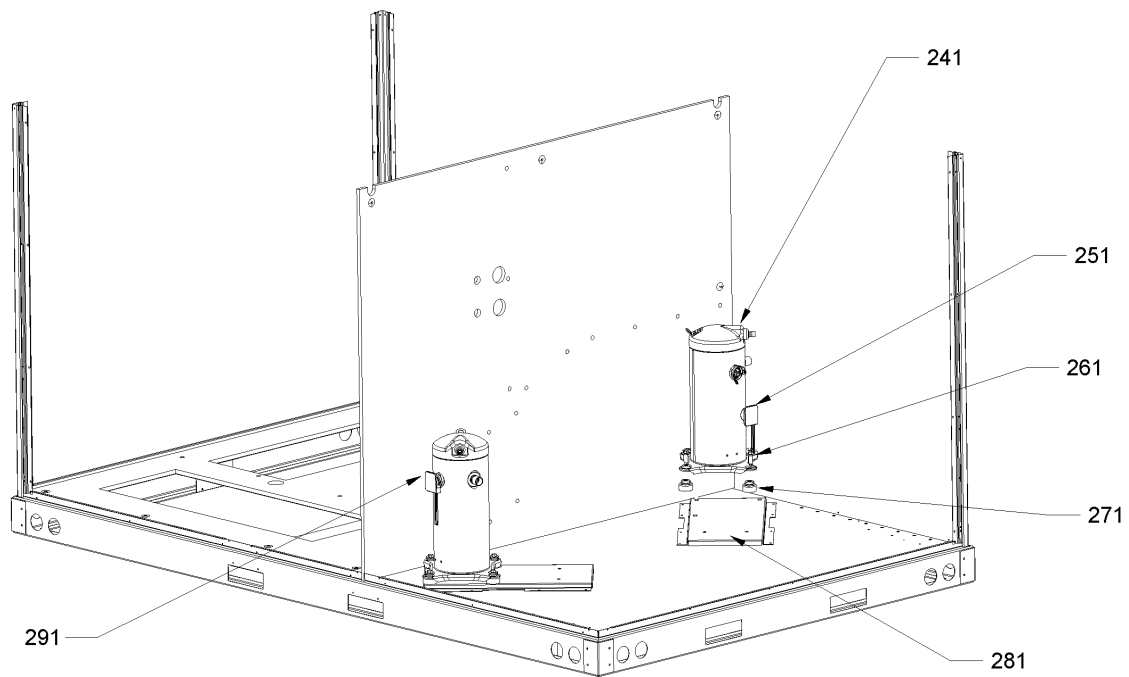
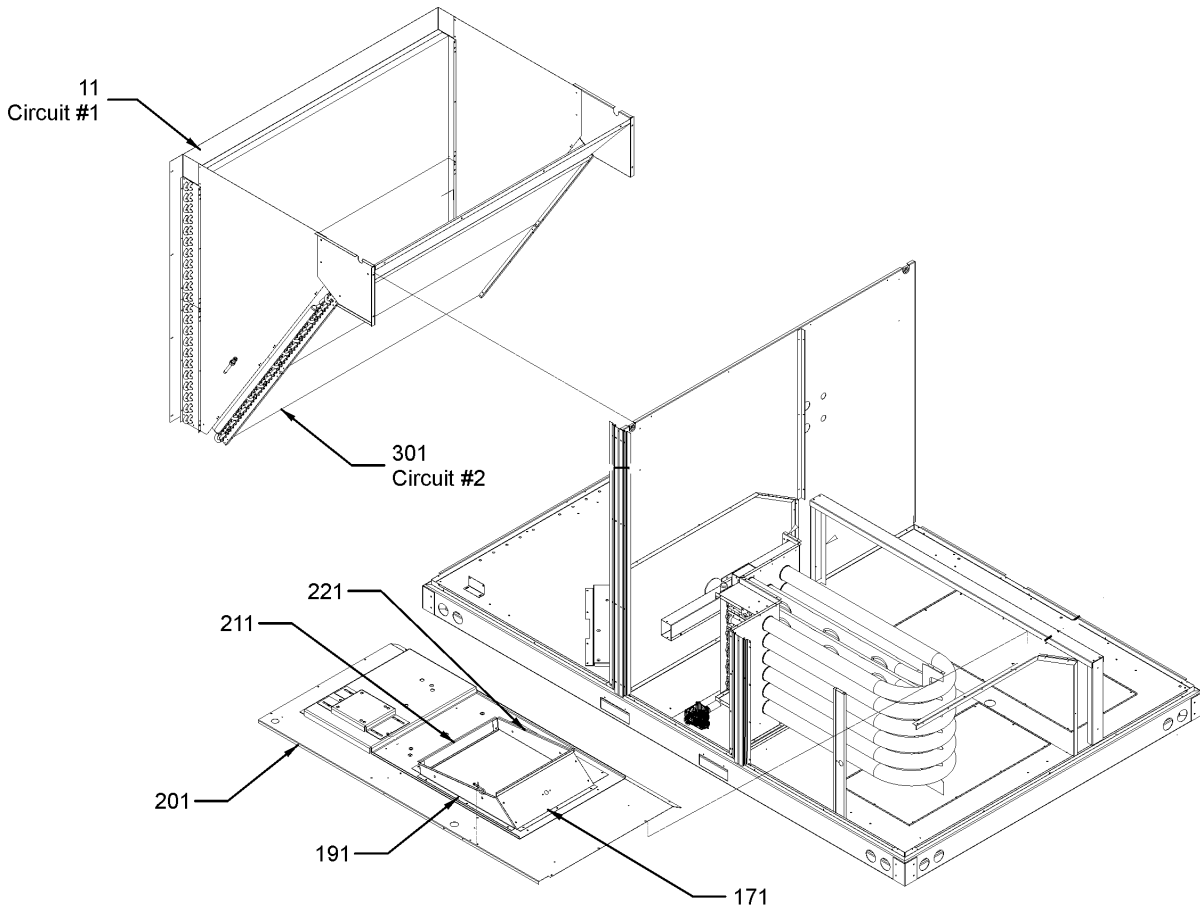
Image 1:

21	0121L00357	FILTER ANGLE-VERTICAL (RETURN SIDE)
31	0121L00210	EVAP EXTENSION-RETURN SIDE
41	0121L00844	EXTENSION-EVAP HPIN
51	0121L00932	ANGLE-FILTER HORIZONTAL (QTY 2)
61	0121L00298	FILTER ANGLE-HORIZONTAL (CENTER)
71	0121L00358	FILTER ANGLE-VERTICAL (HAIRPIN SIDE)
81	0202L00053	EVAP TUBING ASSEMBLY
111	0121L00508	DRAIN PAN SUPPORT
141	0161L00002	DRAIN PAN
151	0121L00374	DECK SIDE CHANNEL
161	0121L00522	HEAT EXCHANGER BLOCK-OFF
NS	B1369608	AIR FILTER 20 X 16 X 2 (QTY 4)

Expanded Model Nomenclature

M1 - CPG1022103BAABAB
M2 - CPG1022103BAXAAB
M3 - CPG1022103BAXXAB
M4 - CPG1022103BHXAAB
M5 - CPG1022103BJAOAB
M6 - CPG1022103BXXBAB
M7 - CPG1022104BAXXAB
M8 - CPG1022104BHXUAB
M9 - CPG1022104BXSAAB
M10 - CPG1022104BXXEAB

Condenser / Partition Assembly



Condenser / Partition Assembly

Ref. Part No:	Part No:	Description:	Ref. Part No:	Part No:	Description:
---------------	----------	--------------	---------------	----------	--------------

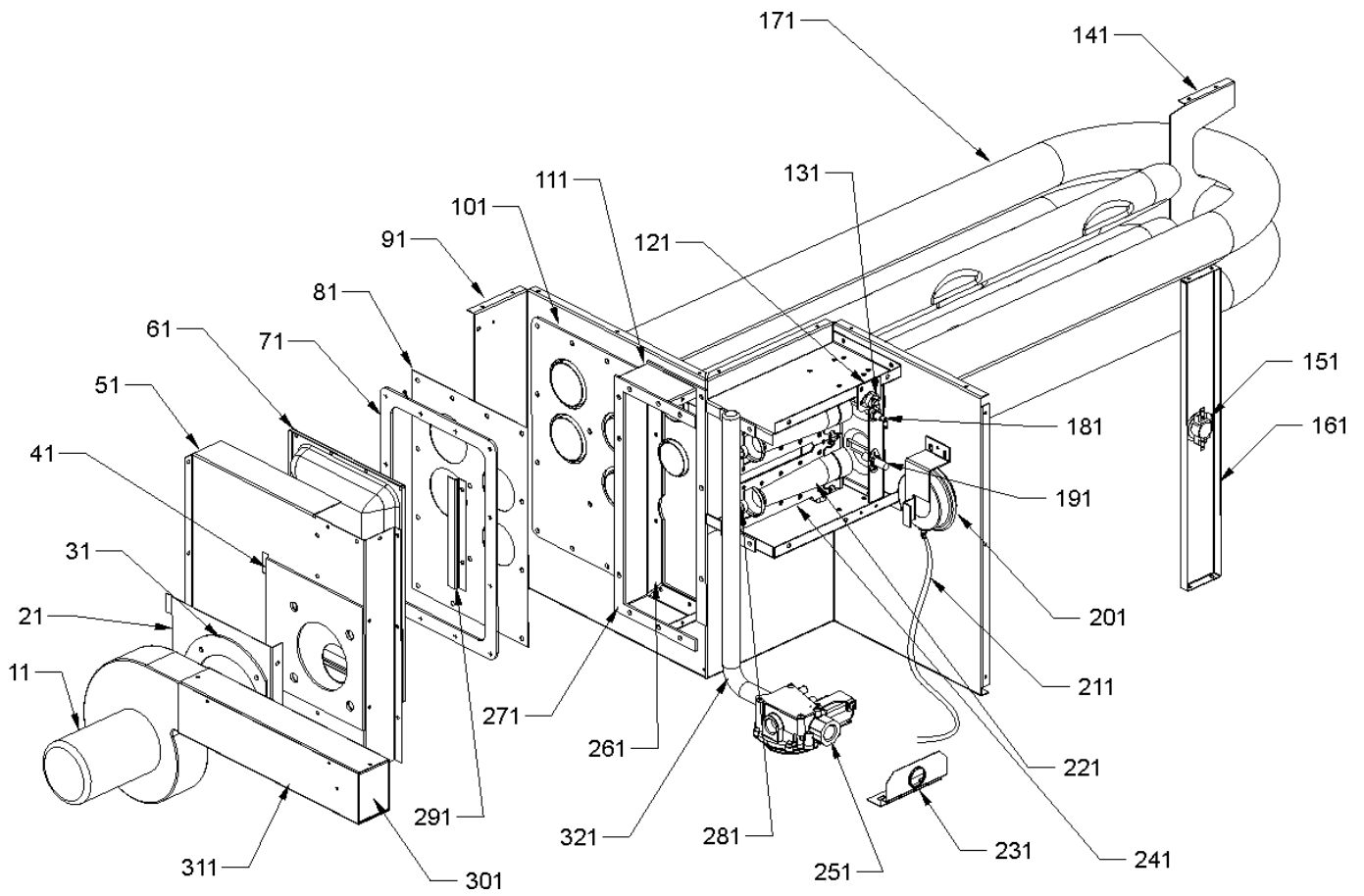
Image 1:

11	0201L00098	CONDENSER TUBING ASSY C1 COOL
171	0121L00090	BLOWER TRANSITION, RH END
191	0121L00092	BLOWER TRANSITION, FRONT
201	0121L00928	DECK-BLOWER
211	0121L00097	BLOWER TRANSITION, LH END
221	0121L00145	BLOWER TRANSITION, BACK
241	ZP44K5ETFD830	COMP 44000, 460/60/3 (M7, M8, M9, M10)
241	ZP44K5ETF5130	COMP, 44000, 200/230/60/3 (M1, M2, M3, M4, M5, M6)
251	0159L00004	COMPRESSOR SCROLL HARNESS
261	M0221641	TF SHOULDER SCREW (QTY 8)
271	B1339533	COMPRESSOR GROMMET (QTY 8)
281	0121L00408	COMPRESSOR MOUNTING PLATE (QTY 2)
291	0159L00005	COMPRESSOR SCROLL HARNESS
301	0201L00102	CONDENSER ASSY C2

Expanded Model Nomenclature

M1 - CPG1022103BAABAB
M2 - CPG1022103BAXAAB
M3 - CPG1022103BAXXAB
M4 - CPG1022103BHXAAB
M5 - CPG1022103BJAOAB
M6 - CPG1022103BXXBAB
M7 - CPG1022104BAXXAB
M8 - CPG1022104BHXUAB
M9 - CPG1022104BXSAAB
M10 - CPG1022104BXXEAB

Heat Exchanger Assembly



Heat Exchanger Assembly

Ref. Part No:	Part No:	Description:	Ref. Part No:	Part No:	Description:
---------------	----------	--------------	---------------	----------	--------------

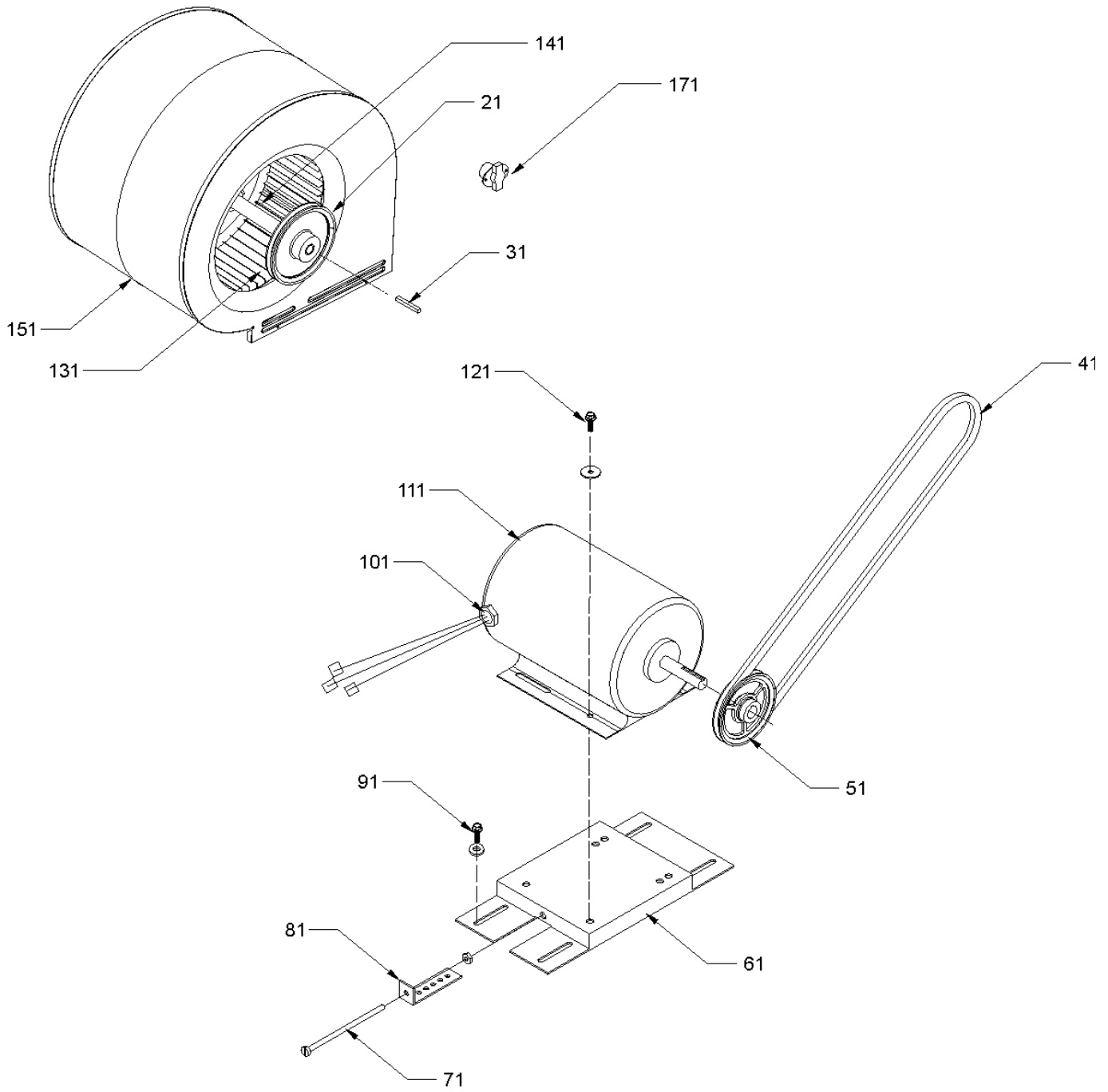
Image 1:

11	0131L00002	VENT MOTOR
21	0121L00080	MOUNTING PLATE-ID BLOWER
31	0154L00007	GASKET, BLOWER/ORIFICE PLATE
41	0154L00006	GASKET, COLLECTOR/ORIFICE PLATE
51	0121L00077	COLLECTOR BOX COVER
61	0121L00072	REAR COVER, HEAT EXCHANGER
71	0154L00010	REAR COVER GASKET, HEAT EXCHANGER
81	0121L00133	TUBE PLATE, HEAT EXCHANGER
91	0121L00033	PANEL-HT TUBES, 6 BURNER
101	0154L00015	TUBE PLATE GASKET, HEAT EXCHANGER
111	0121L00076	COLLECTOR BOX CHANNEL
121	0121L00323	FLAME ROLLOUT BRACKET
131	10123532	MANUAL RESET LIMIT 350°F
141	0121L01065	SUPPORT-HT TUBES 6
151	B1370199	PRIMARY LIMIT SWITCH 190°F
161	0121L00093	POST-LIMIT SWITCH
171	0270L00043	HEAT EXCHANGER ASSY 6B (M1, M2, M3, M4, M5, M6, M7, M8, M10)
171	0270L00171	HEAT EXCHANGER ASSY 6B (M9)
181	0130F00010	FLAME SENSOR
191	20261709	IGNITOR
201	11112501	PRESSURE SWITCH
211	A3468601	PRESSURE SWITCH HOSE
221	0163L00000	BECKETT BURNER (QTY 6)
231	0121L00147	PIPE BRACKET-GAS VALVE
241	0121G00268	BRACKET-BURNER TOP/BOT (QTY 2)
251	0151L00000	GAS VALVE, MANIFOLD (36H)
261	0154L00011	INNER GASKET, COLLECTOR BOX
271	0154L00012	OUTER GASKET, COLLECTOR BOX
281	0163L00007	ORIFICE #34 DRILL (QTY 6)
291	0121L00073	TUBE RESTRICTOR
301	0163L00006	FLUE SCREEN
311	0121L00049	HEAT EXCHANGER FLUE (QTY 2)
321	0163L00010	MANIFOLD - 6 BRNR
NS	0121L00130DG	FLUE COLLAR
NS	B1392609	SEAL STRIP, RED, 1/8 X 1/2 X 100 (QTY 3)

Expanded Model Nomenclature

M1 - CPG1022103BAABAB
M2 - CPG1022103BAXAAB
M3 - CPG1022103BAXXAB
M4 - CPG1022103BHXAAB
M5 - CPG1022103BJAOAB
M6 - CPG1022103BXXBAB
M7 - CPG1022104BAXXAB
M8 - CPG1022104BHXUAB
M9 - CPG1022104BXSAAB
M10 - CPG1022104BXXEAB

Belt Drive Blower / Motor Assembly



Belt Drive Blower / Motor Assembly

Ref. Part No:	Part No:	Description:	Ref. Part No:	Part No:	Description:
---------------	----------	--------------	---------------	----------	--------------

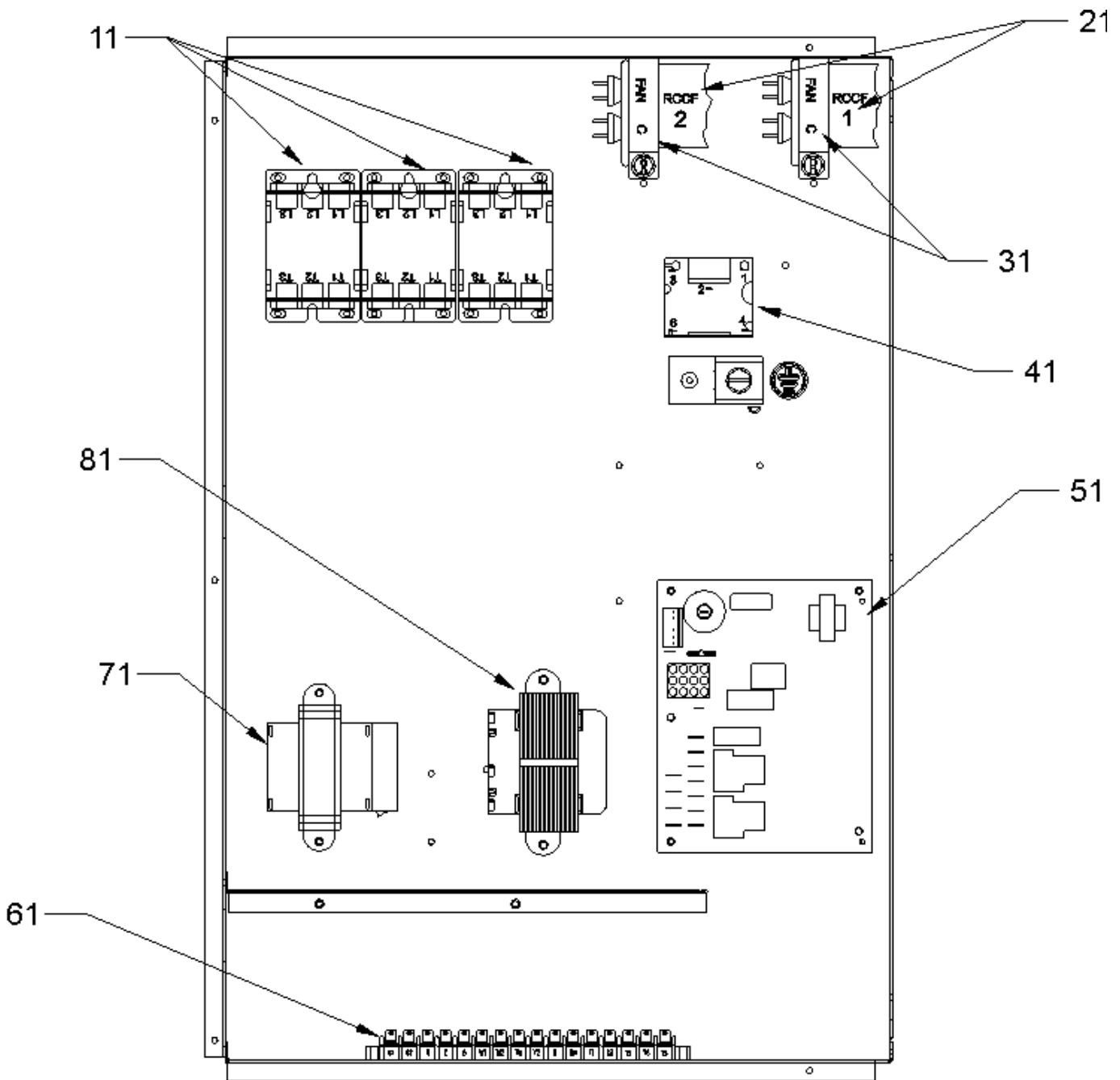
Image 1:

21	0163L00011	FIXED SHEAVE AK74
31	B1398604	STEEL KEY (000158812) 2.0"
41	0164L00000	NOTCHED FAN BELT AX51
51	0163L00012	VARIABLE PITCH SHEAVE VL40
61	0270L00015	MOTOR BASE ASSY
71	0163M00045	BOLT 1/4-20 X 4"
81	3225000F	BELT TIGHTENER ANGLE
91	B1446707	SCREW 5/16-18 X 1" (QTY 4)
101	B1393726	ELECT. CONNECTING BUSHING
111	B3240006	BELT DRIVE MOTOR 2 HP
121	B1393738	BOLT 1/4-20 X 3/4" (QTY 4)
131	03-77429	BLOWER WHEEL
141	04-11525	BLOWER SHAFT
151	04-01525	BLOWER HOUSING
171	0130F00036	PRIMARY LIMIT - PINK
NS	04-02196	BLOWER BEARING & FRAME ASSY
NS	04-02196	BLOWER BEARING & FRAME ASSY
NS	0259L00008	MOTOR HARNESS-BELT DRIVE

Expanded Model Nomenclature

M1 - CPG1022103BAABAB
M2 - CPG1022103BAXAAB
M3 - CPG1022103BAXXAB
M4 - CPG1022103BHXAAB
M5 - CPG1022103BJAOAB
M6 - CPG1022103BXXBAB
M7 - CPG1022104BAXXAB
M8 - CPG1022104BHXUAB
M9 - CPG1022104BXSAAB
M10 - CPG1022104BXXEAB

Control Box Assembly



Control Box Assembly

Ref. Part No:	Part No:	Description:	Ref. Part No:	Part No:	Description:
---------------	----------	--------------	---------------	----------	--------------

Image 1:

11	CONT3P025024V	CONTACTOR 25 AMP, 3P, 24V (QTY 3)
21	CAP050000370VA	CAPACITOR 5/370V (QTY 2)
31	20520901	CAPACITOR STRAP (QTY 8)
41	0130M00025	24V RELAY
51	PCBAG123	IGNITION BOARD, DSI INTEGRATED
61	0130M00038	TERMINAL BOARD
71	0130M00144	TRANSFORMER (M1, M2, M3, M4, M5, M6)
71	0130M00145	Transformer, 75VA, 480V to 24V (M7, M8, M9, M10)
81	B1141663	TRANSFORMER 460V TO 230V, 150 VA (M7, M8, M9, M10)
NS	0259L00031	12-PIN HARNESS
NS	0259L00021	CONTROL HARNESS (M7, M8, M9, M10)
NS	0259L00022	CONTROL HARNESS (M1, M2, M3, M4, M5, M6)
NS	0259L00033	ECONOMIZER HARNESS

Expanded Model Nomenclature

M1 - CPG1022103BAABAB
M2 - CPG1022103BAXAAB
M3 - CPG1022103BAXXAB
M4 - CPG1022103BHXAAB
M5 - CPG1022103BJAOAB
M6 - CPG1022103BXXBAB
M7 - CPG1022104BAXXAB
M8 - CPG1022104BHXUAB
M9 - CPG1022104BXSAAB
M10 - CPG1022104BXXEAB

ACCESSORY PARTS LIST

ACCESSORY PARTS

Ref. Part No:	Ref. Part No:	Description:	Description:
---------------	---------------	--------------	--------------

Image 1:

NS	0130M00065	CIRCUIT BREAKER, CONVENIENCE OUTLET (M1, M5, M6)
NS	0270L00274	CONVENIENCE OUTLET ASSY-NP (M1, M2, M4, M5, M6, M8, M9)
NS	DSC060B53N001FI	DISCONNECT MODULE ASSY (M4, M8)
NS	DSC060B53Y001FI	DISCONNECT MODULE ASSY (M5)
NS	DNECONGS90120	ECONOMIZER DOWNFLOW GAS/AC (M1, M2, M3, M5, M7)
NS	LAKT09150FIAC4	LOW AMBIENT KIT-7.5-12.5 T 460 (M8)
NS	SDRKT01FI75T12	SMOKE DETECTOR ASSEMBLY (M8)
NS	SDSKT01FI75T12	SMOKE DETECTOR ASSEMBLY (M10)
NS	SDSRKT01FI75T12	SMOKE DETECTOR ASSEMBLY (M5)
NS	0130M00061	TRANSFORMER, CONVENIENCE OUTLET (M1, M5, M6)

Expanded Model Nomenclature

M1 - CPG1022103BAABAB
M2 - CPG1022103BAXAAB
M3 - CPG1022103BAXXAB
M4 - CPG1022103BHXAAB
M5 - CPG1022103BJAOAB
M6 - CPG1022103BXXBAB
M7 - CPG1022104BAXXAB
M8 - CPG1022104BHXUAB
M9 - CPG1022104BXSAAB
M10 - CPG1022104BXXEAB